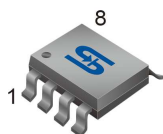




SOP-8



Pin assignment:

- | | |
|--------|--------|
| 1. CD | 8. VO2 |
| 2. FC2 | 7. Gnd |
| 3. FC1 | 6. Vcc |
| 4. Vin | 5. VO1 |

General Description

The TS34119 is a low power audio amplifier, it integrated circuit intended (primarily) for telephone applications such as in speakerphones. It provides differential speaker outputs to maximize output swing at low supply voltages (2.0V minimum). Coupling capacitors to the speaker are not required. Open loop gain is 80dB, and the closed loop gain is set with two external resistors. A chip Disable pin permits powering down and/or muting the input signal.

Features

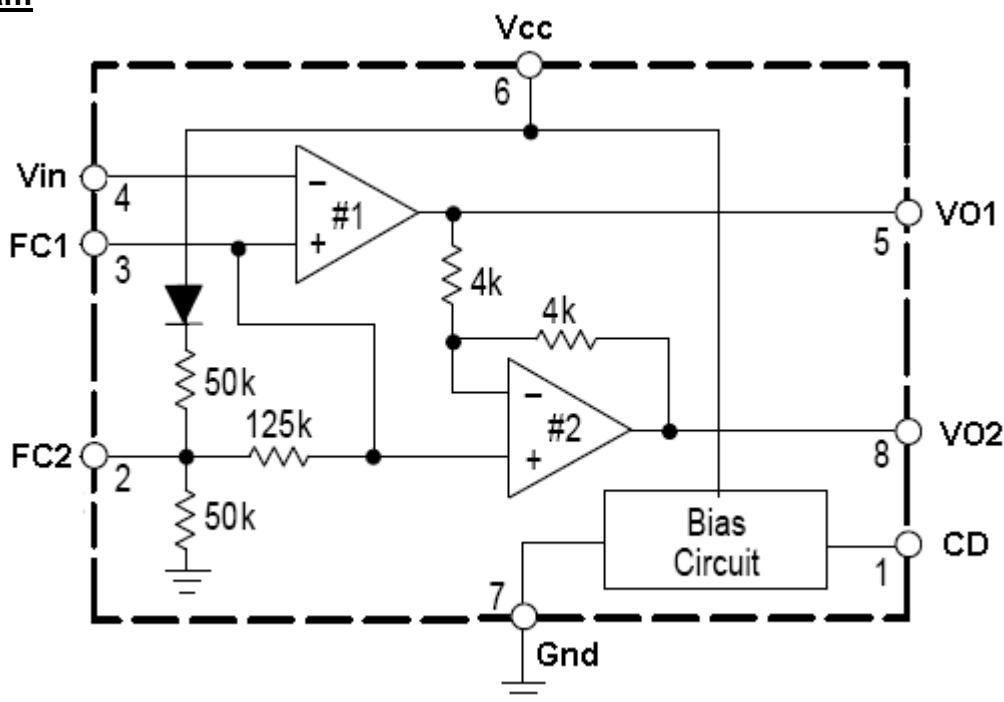
- Wide operating supply voltage (2~16V)
- Chip disable input to power down the IC
- Low quiescent current for battery powered application
- Lower power down quiescent current
- Drives a wide range of speaker load (8~100Ω)
- Output power exceed 250mW with 32Ω speaker
- Low total harmonic distortion
- Gain adjustable for voice band
- Requires few external components

Ordering Information

Part No.	Package	Packing
TS34119CS RLG	SOP-8	2,500pcs / 13" Reel

"G" denotes for Halogen free products

Block Diagram



Absolute Maximum Rating

Parameter	Symbol	Value	Unit
Supply Voltage	V _{cc}	+1 ~ 18V	V
Maximum Input Voltage (FC1, FC2, CD, Vin)	V _{in}	-1.0 ~ V _{cc} +1.0	V
Applied Output Voltage to VO1, VO2 when disabled	V _{vo}	-1.0 ~ V _{cc} +1.0	V
Maximum Output Current at VO1, VO2	I _o	±250	mA
Storage Temperature Range	T _{STG}	-65 ~ +150	°C

Note: Maximum ratings are those values beyond which damage to the device may occur, functional operation should be Restricted to the recommended operating conditions.

Recommended Operating Conditions

Parameter	Symbol	Value	Unit
Supply Voltage	V _{cc}	+2 ~ 16V	V
Load Impedance	R _L	8 ~ 100	Ω
Peak Load Current	I _L	200	mA
Differential Gain (5kHz bandwidth)	AVD	0 ~ 46	dB
Voltage @ CD (pin 1)	V _{CD}	0 ~ V _{cc}	V

Note: This device contains protection circuitry to guard against damage due to high static voltage or electric fields. However, precautions must be taken to avoid applications of any voltage higher than maximum rated voltage to this high impedance circuit. For proper operation, V_{in} and V_{out} should be constrained to the range Gnd ≤ (V_{in} or V_{out}) ≤ V_{cc}. Unused inputs must always be tied to an appropriate logic voltage level (e.g., either Gnd or V_{cc}), unused output must be left open.

Electrical Specifications (V_{CD}=0V, T_a =25°C; unless otherwise noted.)

Parameter	Symbol	Test Conditions	Min	Typ	Max	Unit
Amplifiers (AC Characteristics)						
AC Input Resistance	R _i	@ V _{in}	--	>30	--	MΩ
Open Loop Gain (Amp. #1)	AVOL1	f<100Hz	80	--	--	dB
Closed Loop Gain (Amp. #2)	AV2	V _{cc} =6V, f=1KHz, R _L =32Ω	-0.35	0	+0.35	dB
Gain Bandwidth Product	GBW		--	1.5	--	MHz
Output Power	P _{out}	V _{cc} =3V, R _L =16Ω, THD≤10%	55	--	--	mW
		V _{cc} =6V, R _L =32Ω, THD≤10%	250	--	--	
		V _{cc} =12V, R _L =100Ω, THD≤10%	400	--	--	
Total Harmonic Distortion (f=1KHz)	THD	V _{cc} =6V, R _L =32Ω, P _o =125mW	--	0.5	1.0	%
		V _{cc} ≥3V, R _L =8Ω, P _o =20mW	--	0.5	--	
		V _{cc} ≥12V, R _L =32Ω, P _o =200mW	--	0.6	--	
Power Supply Rejection (V _{cc} =6.0V, ΔV _{cc} =3.0V)	PSRR	C1=∞, C2=0.01uF	50	--	--	dB
		C1=0.1uF, C2=0, f=1KHz	--	12	--	
		C1=1uF, C2=5uF, f=1KHz	--	52	--	
Differential Muting	GMT	V _{cc} =6V, 1KHz ≤ f ≤ 20KHz, CD=2V	--	>70	--	dB

Electrical Specifications (Continue)

Parameter	Symbol	Test Conditions	Min	Typ	Max	Unit
Amplifiers (DC Characteristics)						
Output DC Level @ VO1, VO2	Vo	V _{CC} =3V, R _L =16 (R _f =75K)	1.0	1.15	1.25	Vdc
		V _{CC} =6V, R _L =16 (R _f =75K)	--	2.65	--	
		V _{CC} =12V, R _L =16 (R _f =75K)	--	5.56	--	
Output Level	V _{OH}	I _{out} =-75mA, 2.0 ≤ V _{CC} ≤ 16V	V _{CC} -1.0 (typ)			Vdc
	V _{OL}	I _{out} =75mA, 2.0 ≤ V _{CC} ≤ 16V	--	0.16	--	
Output DC Offset Voltage (VO1 – VO2)	ΔVo	V _{CC} =6V, R _L =75KΩ, R _L =32Ω	-30	0	+30	mV
Input Bias Current @ Vin	I _{IB}	V _{CC} =6.0V	--	-100	-200	nA
Equivalent Resistance @ FC1	R _{FC1}	V _{CC} =6.0V	100	150	220	KΩ
Equivalent Resistance @ FC2	R _{FC2}		18	25	40	
Chip Disable (pin 1)						
Input Voltage Low	V _{IL}		--	--	0.8	Vdc
Input Voltage High	V _{IH}		2.0	--	--	
Power Supply						
Power Supply Current	I _{CC}	V _{CC} =3V, R _L =∞, CD=0.8V	--	2.7	4.0	mA
		V _{CC} =16V, R _L =∞, CD=0.8V	--	3.3	5.0	
		V _{CC} =3V, R _L =∞, CD=2V	--	65	100	uA

Note: a. Currents into a pin are positive, currents out of a pin negative.

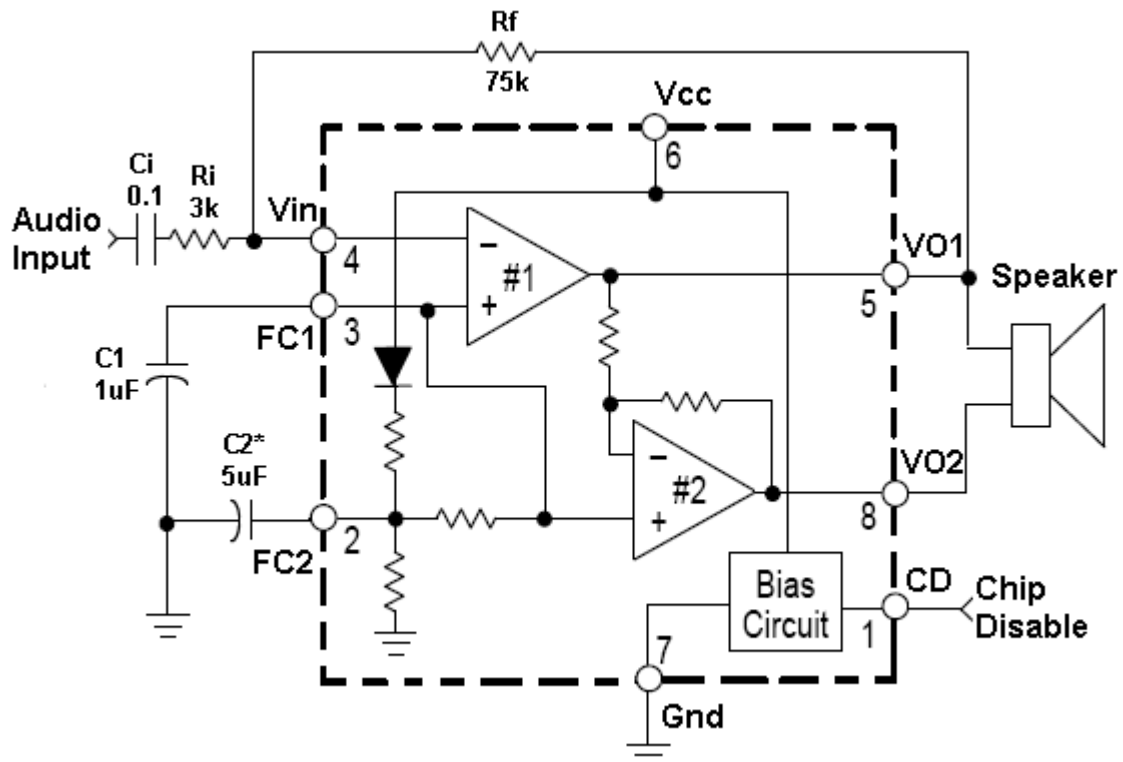
Typical Temperature Performance (-20°C < T_a < +70°C)

Function	Condition	Typical Change	Units
Input Bias Current	@ Vin	±40	Pa/°C
Total Harmonic Distortion	V _{CC} =6V, R _L =32Ω, P _o =120mW, f=1kHz	+0.003	%/°C
Power Supply Current	V _{CC} =3V, R _L =∞, CD=0V	-2.5	uA/°C
	V _{CC} =3V, R _L =∞, CD=2V	-0.03	

Pin Function Description

Symbol	Pin	Description
CD	1	Chip Disable-Digital input. A logic "0" (<0.8V) sets normal operation. A logic "1" (≥2.0V) sets the power down mode. Input impedance is nominally 90KΩ
FC2	2	A capacitor at this pin increases power supply rejection, and affects turn-on time. This pin can be left open if the capacitor at FC1 is sufficient.
FC1	3	Analog ground for the amplifiers. A 1uF capacitor at this pin (with a 5uF capacitor at pin 2) provides 52dB(typically) of power supply rejection. Turn-on time of the circuit is affected by the capacitor on this pin. This pin can be used as an alternate input.
Vin	4	Amplifier input. The input capacitor and resistor set low frequency roll off and input impedance. The feedback resistor is connected to this pin and VO1.
VO1	5	Amplifier Output #1. The dc level is $\approx (V_{CC} - 0.7) / 2$
V _{CC}	6	DC supply voltage (+2.0V ~ +16V) is applied to this pin.
GND	7	Ground pin for the entire circuit.
VO2	8	Amplifier Output #2. This signal is equal in amplitude, but 180° out-of-phase with that at VO1. The dc level is $\approx (V_{CC} - 0.7V) / 2$.

Typical Application Circuit



* Optional
 Differential Gain = $2 \times (R_f / R_i)$

Design Guideline

GENERAL

The TS34119 is a low power audio amplifier capable of low voltage operation ($V_{cc}=2.0V$ minimum) such as that encountered in line-powered speakerphones. The circuit provides a differential output (VO1-VO2) to the speaker to maximize the available voltage swing at low voltages. The different gain is set by two external resistors. Pins FC1 and FC2 allow controlling the amount of power supply and noise rejection, as well as providing alternate inputs to the amplifiers. The CD pin permits powering down the IC for muting purposes and to conserve power.

AMPLIFIERS

Referring to the block diagram, the internal configuration consists of two identical operational amplifiers. Amplifier #1 has an open loop gain of $\geq 80\text{Db}$ (at $f \leq 100\text{Hz}$), and the closed loop gain is set by external resistor R_f and R_j . The amplifier is unity gain stable, and has a unity gain frequency of approximately 1.5MHz. In order to adequately cover the telephone voice band (300Hz to 3.4kHz), a maximum closed loop gain of 46dB is recommended. Amplifier #2 is internally set to gain of -1.0 (0dB). The outputs of both amplifiers are capable of sourcing and sinking a peak current of 200mA. The outputs can typically swing to within $\approx 0.4V$ above ground, and to within $\approx 1.3V$ below VCC, at the maximum current. See Figure 18 and 19 for VOH and VOL curves. The output dc offset voltage (VO1-VO2) is primarily a function of the feedback resistor (R_f), and secondarily due to the amplifiers' input offset voltages. The input offset voltage of the two amplifiers will generally be similar for a particular IC, and therefore nearly cancel each other at the outputs. Amplifier #1's bias current, however, flows out of V_{in} (pin 4) and through R_f , forcing VO1 to shift negative by an amount equal to $(R_f \times I_{IB})$, Vo2 is shifted positive an equal amount. The output offset voltage, specified in the Electrical Characteristics is measured with the feedback resistor shown in the Typical Application Circuit, and therefore takes into account the bias current as well as internal offset voltages of the amplifiers. The bias current is constant with respect to VCC.

FC1 AND FC2

Power supply rejection is provided by the capacitors (C1 and C2 in the typical Application Circuit) at FC1 and FC2. C2 is somewhat dominant at low frequencies, while C1 is dominant at high frequencies, as shown in the graphs of Figure 4 to 7. The required values of C1 and C2 depend on the conditions of each application. A line powered speakerphone, for example, will require more filtering than a circuit powered by a well regulated power supply. The amount of rejection is function of the capacitors, and the equivalent impedance looking into FC1 and FC2 (listed in the Electrical Characteristics as RFC1 and RFC2). In addition to providing filtering, C1 and C2 also affect the turn-on time of the circuit at power-up, since the two capacitors must charge up through the internal 50K and 125K resistors. The graph of Figure 1 indicates the turn-on time upon application of VCC of +6V. The turn-on time is $\approx 60\%$ longer for VCC =3V, and $\approx 20\%$ less for VCC =9V. Turn-off time is $<10\mu\text{s}$ upon removal of VCC.

CHIP DISABLE

The chip Disable (pin 1) can be used to power down the IC to conserve power, or for muting, or both. When at a Logic "0" (0V to 0.8V), the TS34119 is enabled for normal operation. When pin 1 is a Logic "1" (2V to VCC), the IC is disabled. If pin 1 is open, that is equivalent to Logic "0" although good design practice dictates that an input should never be left open. Input impedance at pin 1 is a nominal 90K Ω . The power supply current (when disabled) is shown in Figure 15. Muting, defined as the change in differential gain from normal operation to muted operation, is in excess of 70dB. The turn-off time the audio output, from the application of the CD signal, is $<2\mu\text{s}$, and turn on-time is 12 mS-15mS. Both times are independent of C1, C2, and VCC. When the TS34119 is disabled, the voltage at FC1 and FC2 do not change as they are powered from Vcc. The outputs, VO1 and VO2, change to high impedance condition, removing the signal from the speaker. If signals from other sources are to be applied to the outputs (while disabled), they must be within the range of VCC and Ground.

LAYOUT CONSIDERATIONS

Normally a snubber is not needed at the output of the TS34119, unlike many other audio amplifiers. However, the PC board layout, stray capacitances, and the manner in which the speaker wires are configured, may dictate otherwise. Generally, the speaker wires should be twisted tightly, and not more than a few inches in length.

Design Guideline (Continue)

POWER DISSIPATION

Figure 8 to 10 indicate the device dissipation (within the IC) for various combinations of VCC, RL, and load power. The maximum power which can safely be dissipated within the TS34119 is found from the following equation:

$$PD = (140^{\circ}\text{C} - T_a) / \Theta_{ja}$$

Where T_a is the ambient temperature; and Θ_{ja} is the package thermal resistance (100°C/W for the standard DIP package, and 180°C/W for the surface mount package.) The power dissipated within the TS34119, in a given application, it is found from the following equation: $PD = (V_{CC} \times I_{CC}) + (I_{RMS} \times V_{CC}) - (R_L \times I_{RMS}^2)$

Where I_{CC} is obtained from Figure 15; and I_{RMS} is the RMS current at the load; and R_L is load resistance. Figure 8 to 10, along with Figure 11 to 13 (distortion curves), and a peak working load current of $\pm 200\text{mA}$, define the operating range for the TS34119. The operating range is further defined in terms of allowable load power in Figure 14 for loads of 8Ω, 16Ω and 32Ω. The left (ascending) portion of each of the three curves is defined by the power level at which 10% distortion occurs. The center flat portion of each curve is defined by the maximum output current capability of the TS34119. The right (descending) portion of each curve is defined by the maximum internal power dissipation of the IC at 25°C. At higher ambient temperatures, the maximum load power must be reduced according to the above equations. Operating the device beyond the current and junction temperature limits will degrade long-term reliability.

Electrical Characteristics Curve

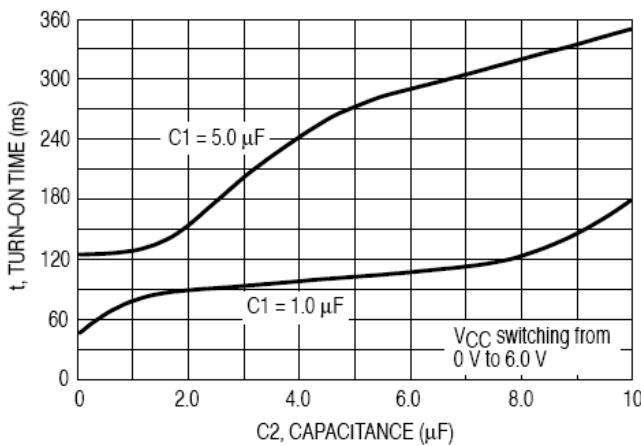


Figure 1. Turn-On Time vs. C2, C2 at Power-On

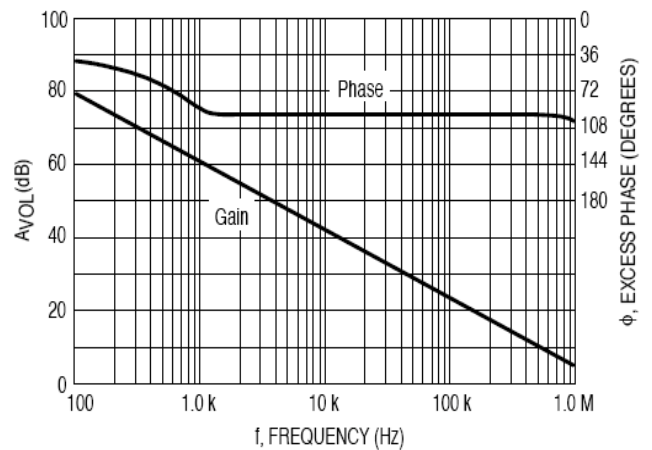


Figure 2. Amplifier #1 Open Loop Gain and Phase

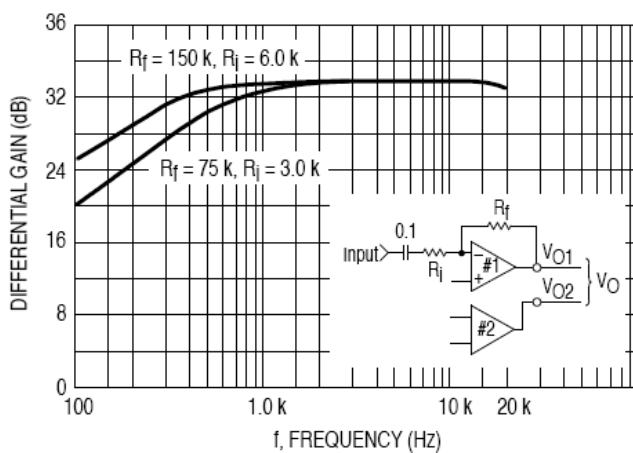


Figure 3. Differential Gain vs. Frequency

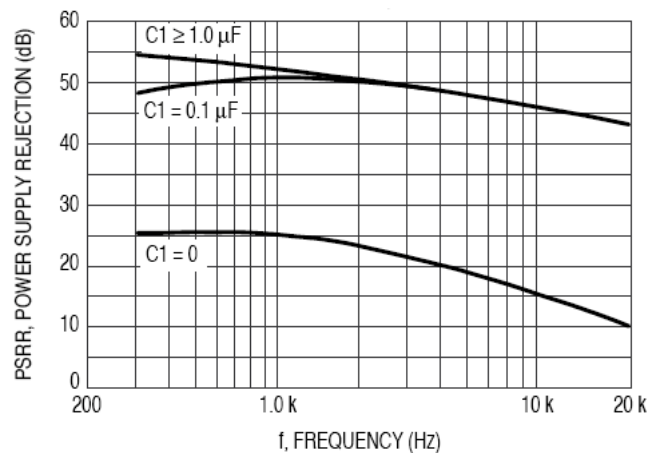


Figure 4. PSRR vs. Frequency (C2=10uF)

Electrical Characteristics Curve (Continue)

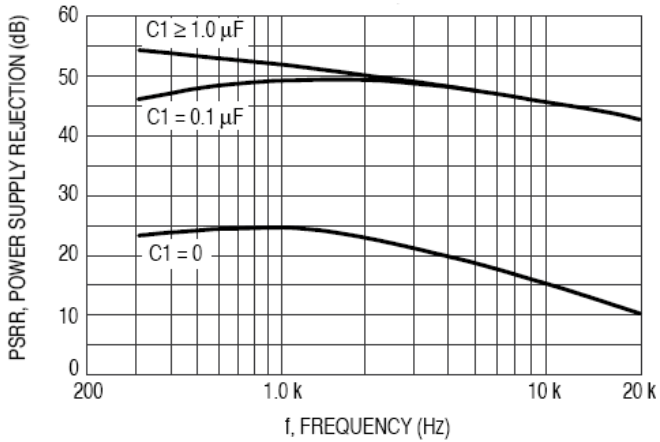


Figure 5. PSRR vs. Frequency (C2=5uF)

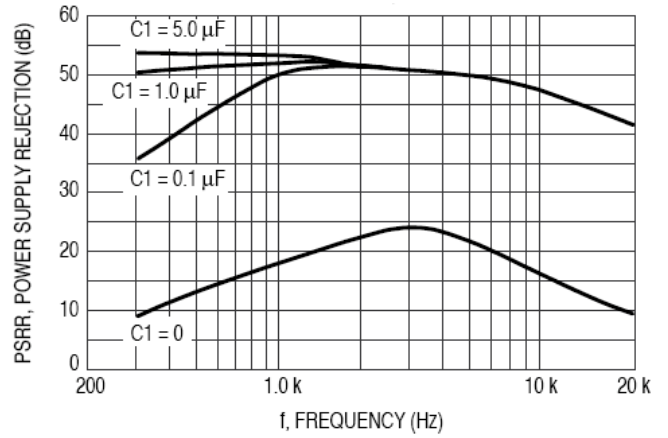


Figure 6. PSRR vs. Frequency (C2=1uF)

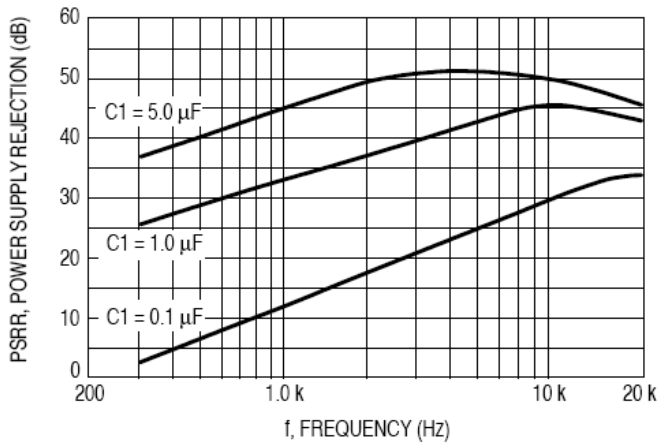


Figure 7. PSRR vs. Frequency (C2=0uF)

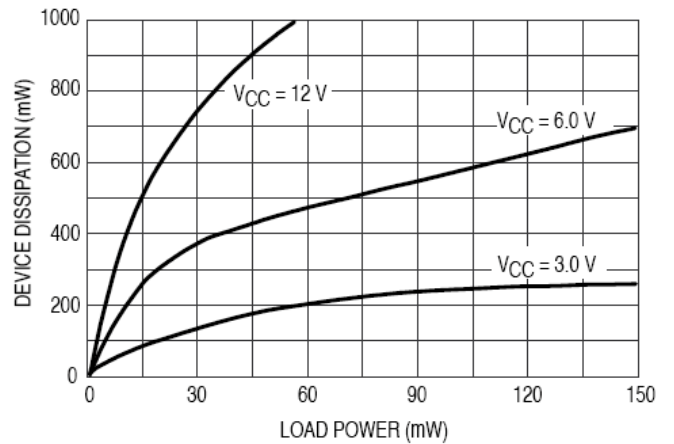


Figure 8. Device Dissipation, 0.8Ω Load

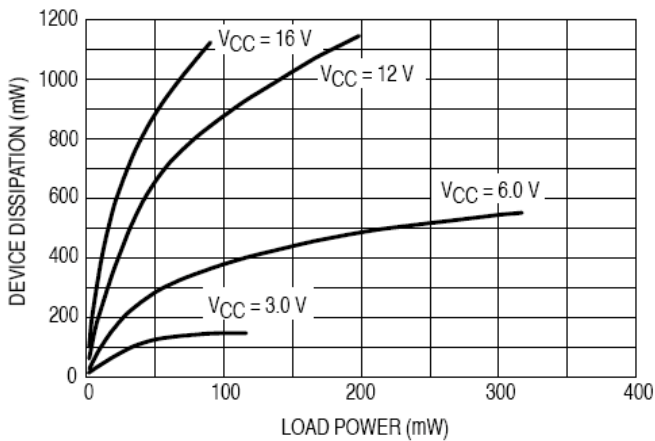


Figure 9. Device Dissipation, 16Ω Load

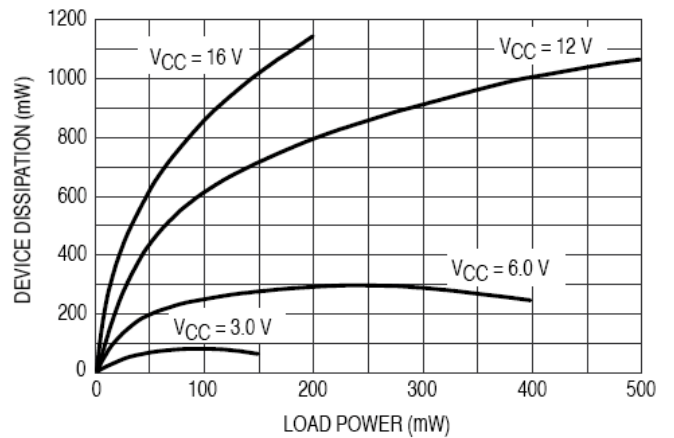


Figure 10. Device Dissipation, 32Ω Load

Electrical Characteristics Curve (Continue)

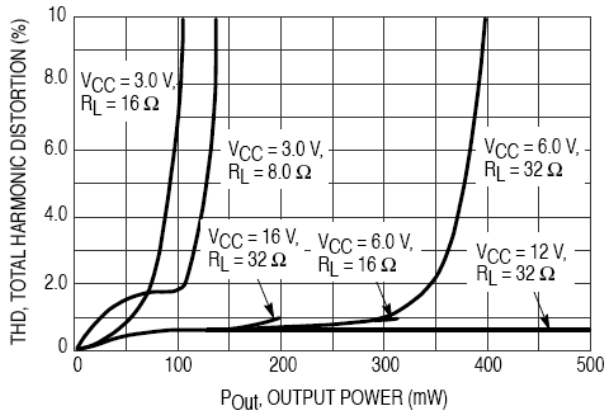


Figure 11. Distortion vs. Power (f=1kHz, AVD=34dB)

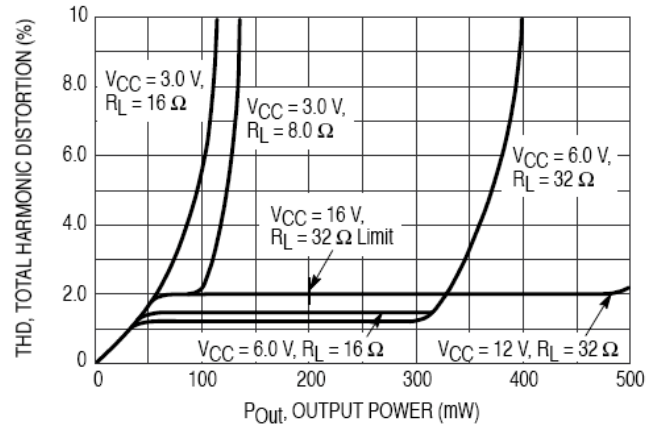


Figure 12. Distortion vs. Power (f=3kHz, AVD=34dB)

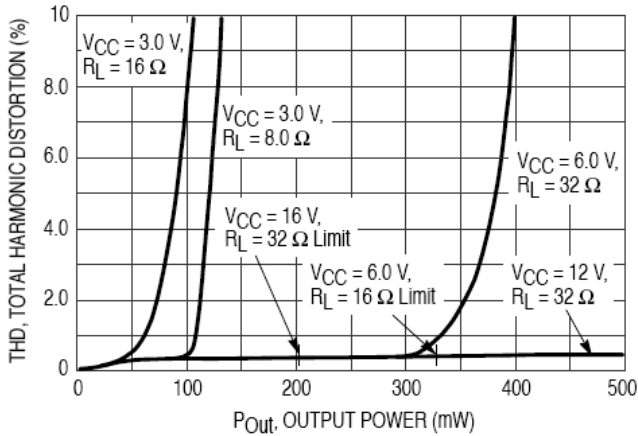


Figure 13. Distortion vs. Power (f=1, 3kHz, AVD=12dB)

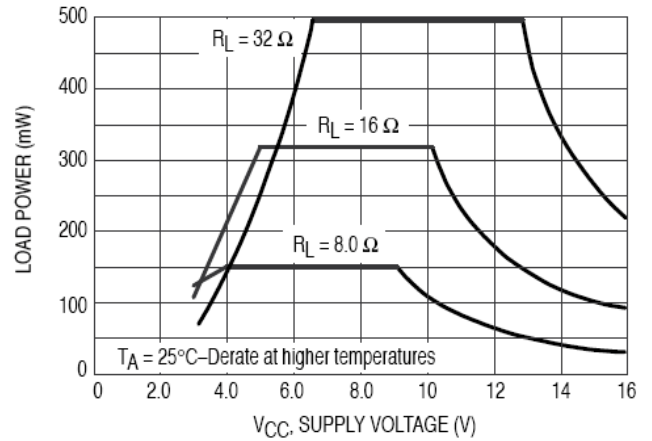


Figure 14. Maximum Allowable Load Power

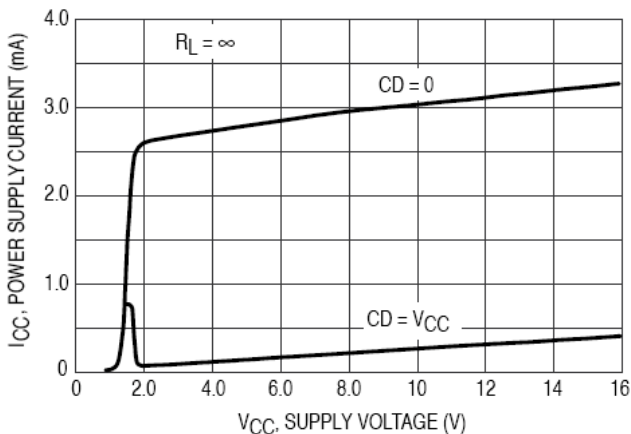


Figure 15. Power Supply Current

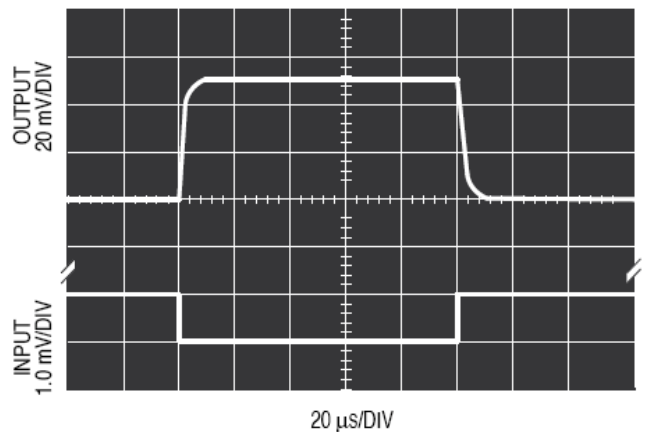


Figure 16. Small Signal Response

Electrical Characteristics Curve (Continue)

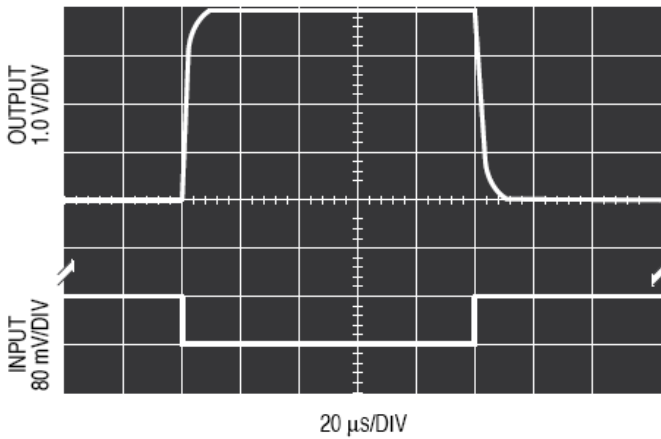


Figure 17. Large Signal Response

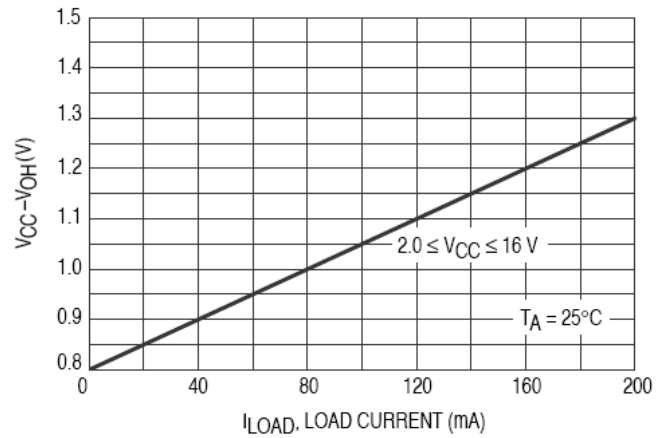


Figure 18. Vcc-Voh @ Vo1, Vo2 vs. Load Current

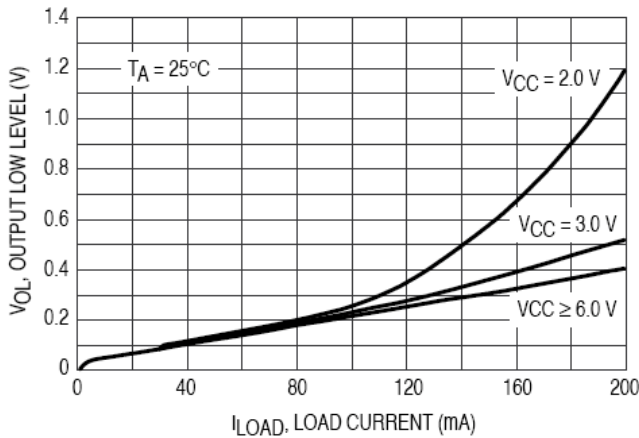


Figure 19. Vol @ Vo1, Vo2 vs. Load Current

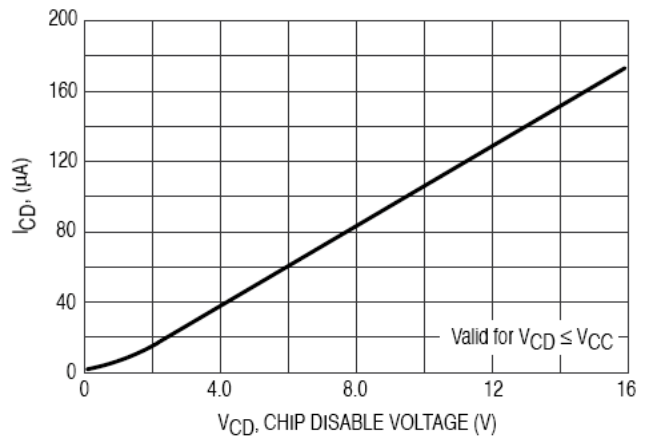
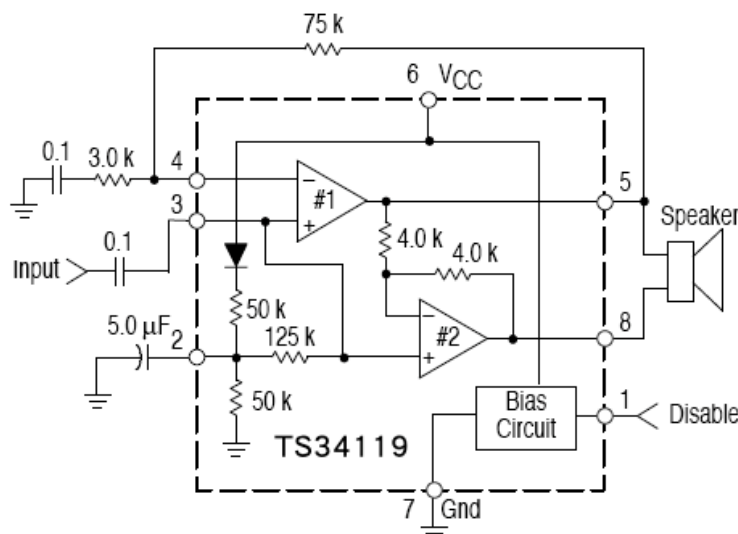


Figure 20. Input Characteristics @ CD (Pin1)



Differential Gain = 34 dB
 Frequency Response: See Figure 3
 Input Impedance \approx 125 k Ω
 PSRR \approx 50 dB

Figure 21. Audio Amplifier with High Input Impedance

Electrical Characteristics Curve (Continue)

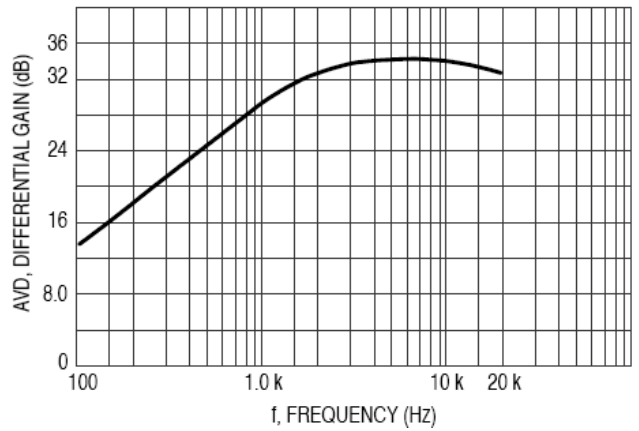
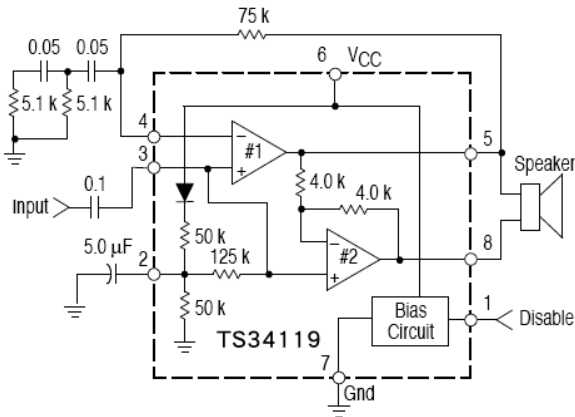


Figure 22. Audio Amplifier with Bass Suppression

Figure 23. Frequency Response of Figure 22

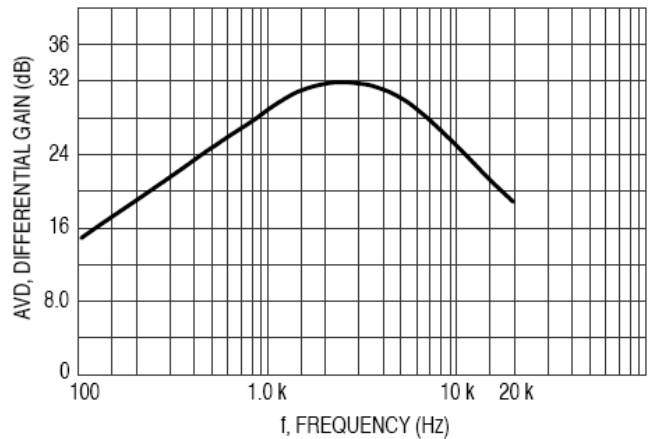
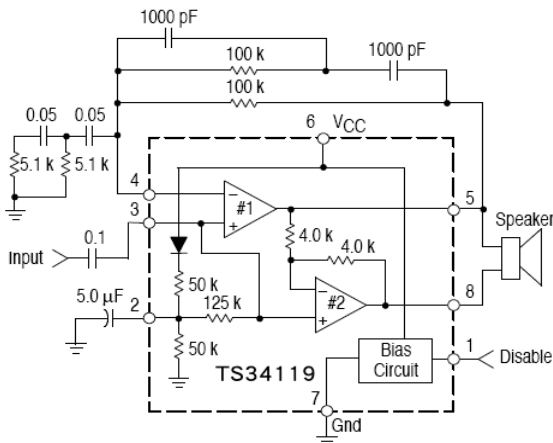
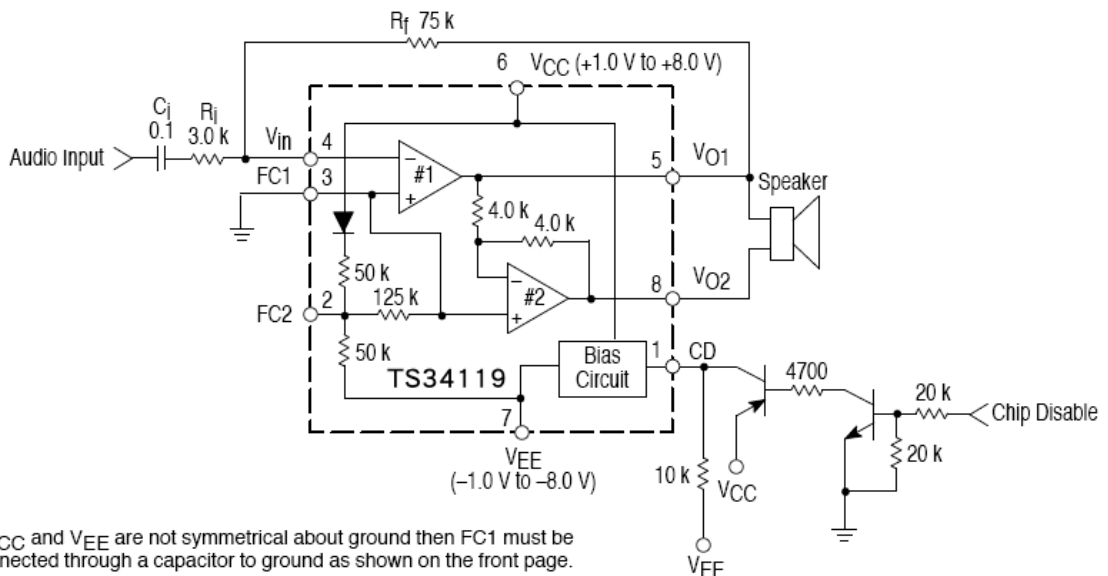


Figure 24. Audio Amplifier with Bandpass

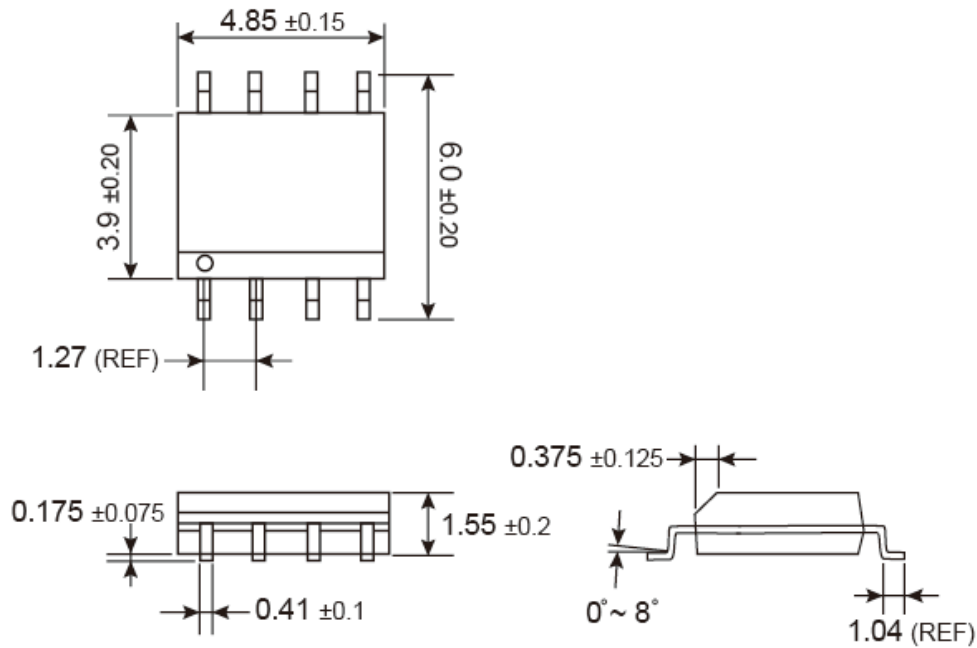
Figure 25. Frequency Response of Figure 24



NOTE: If V_{CC} and V_{EE} are not symmetrical about ground then FC1 must be connected through a capacitor to ground as shown on the front page.

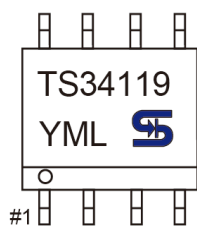
Figure 26. Device Dissipation, 16Ω Load

SOP-8 Mechanical Drawing



Unit: Millimeters

Marking Diagram



- Y** = Year Code
- M** = Month Code for Halogen Free Product
 - O** =Jan **P** =Feb **Q** =Mar **R** =Apr
 - S** =May **T** =Jun **U** =Jul **V** =Aug
 - W** =Sep **X** =Oct **Y** =Nov **Z** =Dec
- L** = Lot Code

Notice

Specifications of the products displayed herein are subject to change without notice. TSC or anyone on its behalf, assumes no responsibility or liability for any errors or inaccuracies.

Information contained herein is intended to provide a product description only. No license, express or implied, to any intellectual property rights is granted by this document. Except as provided in TSC's terms and conditions of sale for such products, TSC assumes no liability whatsoever, and disclaims any express or implied warranty, relating to sale and/or use of TSC products including liability or warranties relating to fitness for a particular purpose, merchantability, or infringement of any patent, copyright, or other intellectual property right.

The products shown herein are not designed for use in medical, life-saving, or life-sustaining applications. Customers using or selling these products for use in such applications do so at their own risk and agree to fully indemnify TSC for any damages resulting from such improper use or sale.



Компания «ЭлектроПласт» предлагает заключение долгосрочных отношений при поставках импортных электронных компонентов на взаимовыгодных условиях!

Наши преимущества:

- Оперативные поставки широкого спектра электронных компонентов отечественного и импортного производства напрямую от производителей и с крупнейших мировых складов;
- Поставка более 17-ти миллионов наименований электронных компонентов;
- Поставка сложных, дефицитных, либо снятых с производства позиций;
- Оперативные сроки поставки под заказ (от 5 рабочих дней);
- Экспресс доставка в любую точку России;
- Техническая поддержка проекта, помощь в подборе аналогов, поставка прототипов;
- Система менеджмента качества сертифицирована по Международному стандарту ISO 9001;
- Лицензия ФСБ на осуществление работ с использованием сведений, составляющих государственную тайну;
- Поставка специализированных компонентов (Xilinx, Altera, Analog Devices, Intersil, Interpoint, Microsemi, Aeroflex, Peregrine, Syfer, Eurofarad, Texas Instrument, Miteq, Cobham, E2V, MA-COM, Hittite, Mini-Circuits, General Dynamics и др.);

Помимо этого, одним из направлений компании «ЭлектроПласт» является направление «Источники питания». Мы предлагаем Вам помощь Конструкторского отдела:

- Подбор оптимального решения, техническое обоснование при выборе компонента;
- Подбор аналогов;
- Консультации по применению компонента;
- Поставка образцов и прототипов;
- Техническая поддержка проекта;
- Защита от снятия компонента с производства.



Как с нами связаться

Телефон: 8 (812) 309 58 32 (многоканальный)

Факс: 8 (812) 320-02-42

Электронная почта: org@eplast1.ru

Адрес: 198099, г. Санкт-Петербург, ул. Калинина, дом 2, корпус 4, литера А.