

# Reference Only

Spec. No. JEFL243C-9119A-01

P1/9

## Wire Wound Chip Common Mode Choke Coil

**DLW32SH□□□XK2□ Murata Standard Reference Specification 【AEC-Q200】**

### 1.Scope

This reference specification applies to Wire Wound Chip Common Mode Choke Coil DLW32SH\_XK Series for Automotive Electronics based on AEC-Q200.

### 2.Part Numbering

(ex) 

|     |     |     |     |     |     |     |     |     |      |
|-----|-----|-----|-----|-----|-----|-----|-----|-----|------|
| DL  | W   | 32  | S   | H   | 101 | X   | K   | 2   | L    |
| (1) | (2) | (3) | (4) | (5) | (6) | (7) | (8) | (9) | (10) |

- |                         |   |
|-------------------------|---|
| (1) Product ID          | (6) Inductance(Typ. at 0.1MHz)                |
| (2) Structure           | (7) Circuit                                   |
| (3) Dimension Type(LxW) | (8) Features                                  |
| (4) Type                | (9) Number of line                            |
| (5) Category            | (10) Packing code L : Taping(φ180mm), *B:Bulk |

\*Bulk packing also available. (A product is put in the plastic bag under the taping conditions.)

### 3.Rating

| Customer Part Number | Murata Part Number | Common Mode Inductance (at 0.1MHz Under Standard Testing Condition) | Rated Voltage V(DC) | Withstanding Voltage V(DC) | Rated Current (mA) | DC Resistance (Ω max.) | Insulation Resistance (MΩ min.) | ESD Rank 5B:15kV |
|----------------------|--------------------|---|---------------------|----------------------------|--------------------|------------------------|---------------------------------|------------------|
|                      | DLW32SH110XK2L     | 11uH (-30%/+50%)  | 80                  | 200                        | 300                | 0.4                    | 10                              | 5B               |
|                      | DLW32SH110XK2B     | 11uH (-30%/+50%)  | 80                  | 200                        | 300                | 0.4                    | 10                              | 5B               |
|                      | DLW32SH220XK2L     | 22uH (-30%/+50%)  | 80                  | 200                        | 250                | 0.5                    | 10                              | 5B               |
|                      | DLW32SH220XK2B     | 22uH (-30%/+50%)  | 80                  | 200                        | 250                | 0.5                    | 10                              | 5B               |
|                      | DLW32SH510XK2L     | 51uH (-30%/+50%)  | 80                  | 200                        | 200                | 0.7                    | 10                              | 5B               |
|                      | DLW32SH510XK2B     | 51uH (-30%/+50%)  | 80                  | 200                        | 200                | 0.7                    | 10                              | 5B               |
|                      | DLW32SH101XK2L     | 100uH (-30%/+50%)   | 80                  | 200                        | 150                | 1.5                    | 10                              | 5B               |
|                      | DLW32SH101XK2B     | 100uH (-30%/+50%)   | 80                  | 200                        | 150                | 1.5                    | 10                              | 5B               |

•Operating Temperature Range. -40°C to +125°C

•Storage Temperature Range. -40°C to +125°C

### 4. Testing Conditions

《Unless otherwise specified》

Temperature : Ordinary Temperature / 15°C to 35°C

Humidity : Ordinary Humidity / 25%(RH) to 85 %(RH)

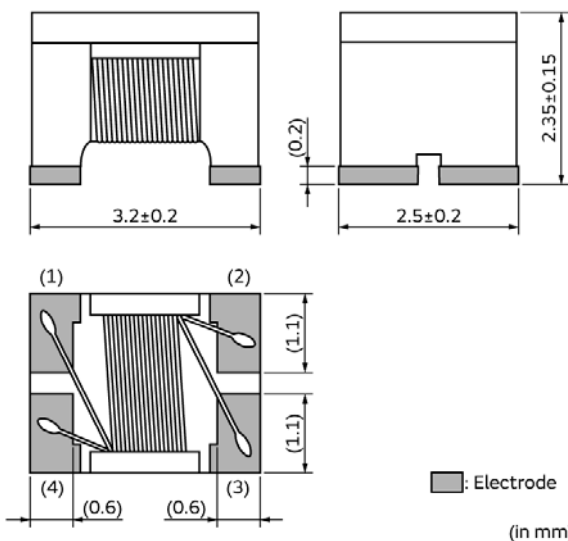
《In case of doubt》

Temperature : 20°C ± 2°C

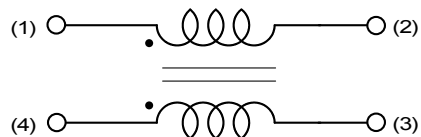
Humidity : 60%(RH) to 70 %(RH)

Atmospheric Pressure : 86kPa to 106 kPa

### 5. Appearance and Dimensions



#### ■ Equivalent Circuits



No polarity

#### ■ Unit Mass (Typical value)

0.072g

### 6. Marking

No Marking.

# Reference Only

## 7. Electrical Performance

| No. | Item                         | Specification                  | Test Method  |
|-----|------------------------------|--------------------------------|--|
| 7.1 | Common Mode Inductance (Lc)  | Meet item 3.                   | Measuring Equipment : KEYSIGHT 4294A or the equivalent<br>Measuring Frequency:0.1MHz<br>(ref.item 9.1)   |
| 7.2 | Insulation Resistance (I.R.) |                                | Measuring voltage : Rated Voltage<br>Measuring time : 1 min max.<br>(ref.item 9.3)   |
| 7.3 | Withstanding Voltage         | Products shall not be damaged. | Test Voltage : 2.5 times for Rated Voltage<br>Time : 1 to 5 s<br>Charge Current : 1 mA max.<br>(ref.item 9.2)                                  |
| 7.4 | DC Resistance (Rdc)          | Meet item 3.                   | Measuring current : 10mA max.<br>(In case of doubt in the above mentioned standard condition, measure by 4 terminal method.)<br>(ref.item 9.4) |

## 8. Q200 Requirement 8-1. Performance

### AEC-Q200 Rev.D issued June 1. 2010

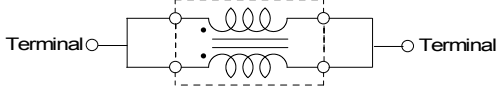
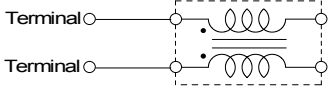
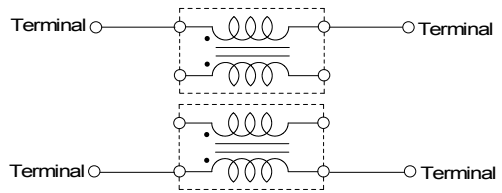
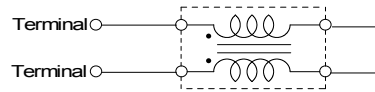
| AEC-Q200                                  |                               |   | Murata Specification / Deviation  |            |            |   |             |
|---|-------------------------------|---|---|------------|------------|---|-------------|
| No.                                       | Stress                        | Test Method   |   |            |            |   |             |
| 3   | High Temperature Exposure     | 1000h at 125 deg C<br>Set for 24h at room temperature, then measured.                       | Meet Table A after testing.<br>Table A <table border="1" style="margin-left: auto; margin-right: auto;"> <tr> <td>Appearance</td> <td>No damaged</td> </tr> <tr> <td>Common Mode Inductance Change (at 0.1MHz)</td> <td>Within ±20%</td> </tr> </table> | Appearance | No damaged | Common Mode Inductance Change (at 0.1MHz) | Within ±20% |
| Appearance                                | No damaged                    |   |   |            |            |   |             |
| Common Mode Inductance Change (at 0.1MHz) | Within ±20%                   |   |   |            |            |   |             |
| 4   | Temperature Cycling           | 1000cycles<br>-40 deg C to +125 deg C<br>Set for 24h at room temperature, then measured.    | Meet Table A after testing.   |            |            |   |             |
| 5   | Destructive Physical Analysis | Per EIA469<br>No electrical tests   | Not Applicable  |            |            |   |             |
| 7   | Biased Humidity               | 1000h at 85 deg C, 85%RH<br>Apply rated current   | Meet Table A after testing.<br>(ref.item 9.5)   |            |            |   |             |
| 8   | Operational Life              | 1000h at 125 deg C<br>Apply rated current<br>Set for 24h at room temperature, then measured | Meet Table A after testing.<br>(ref.item 9.6)   |            |            |   |             |
| 9   | External Visual               | Visual inspection   | No abnormalities  |            |            |   |             |
| 10  | Physical Dimension            | Meet ITEM 4<br>(Style and Dimensions)   | No defects  |            |            |   |             |
| 12  | Resistance to Solvents        | Per MIL-STD-202 Method 215  | Not Applicable  |            |            |   |             |
| 13  | Mechanical Shock              | Per MIL-STD-202 Method 213<br>Conditon F:<br>1500g's(14.7N)/0.5ms/Half sine                 | Meet Table A after testing.   |            |            |   |             |
| 14  | Vibration                     | 5g's(0.049N) for 20 min,<br>12cycles each of 3 orientations<br>Test from 10-2000Hz.         | Meet Table A after testing.   |            |            |   |             |
| 15  | Resistance to Soldering Heat  | No-heating<br>Solder temperature<br>260C+/-5 deg C<br>Immersion time 10s                    | Pre-heating:150 to 180C / 90±30s<br>Meet Table A after testing.   |            |            |   |             |

# Reference Only

| AEC-Q200 |                                 |  | Murata Specification / Deviation  |
|----------|---------------------------------|--|---|
| No.      | Stress                          | Test Method  |   |
| 17       | ESD                             | Per AEC-Q200-002   | Meet Table A after testing.<br>ESD Rank: Refer to Item 3. Rating.   |
| 18       | Solderbility                    | Per J-STD-002  | Method b : Not Applicable<br>95% of the terminations is to be soldered.(except partly-exposed wire)<br>Flux:Ethanol solution of rosin,25(wt)% includes activator equivalent to 0.06 to 0.10(wt)% chlorine |
| 19       | Electrical Characterization     | Measured :<br>Common mode Inductance                                 | No defects  |
| 20       | Flammability                    | Per UL-94  | Not Applicable  |
| 21       | Board Flex                      | Epoxy-PCB(1.6mm)<br>Deflection 2mm(min)<br>60 s minimum holding time | Meet Table A after testing.   |
| 22       | Terminal Strength               | Per AEC-Q200-006<br>A force of 17.7N for 60s                         | No defects  |
| 30       | Electrical Transient Conduction | Per ISO-7637-2   | Not Applicable  |

**9. Terminal to be Tested.**

When measuring and supplying the voltage, the following terminal is applied.

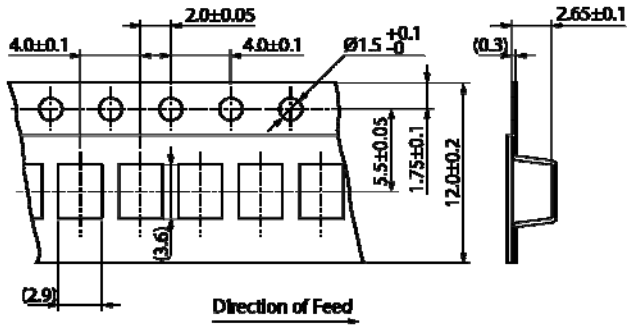
| No. | Item   | Terminal to be Tested  |
|-----|--|--|
| 9.1 | Common Mode Inductance<br>(Measurement Terminal) |   |
| 9.2 | Withstanding Voltage<br>(Measurement Terminal)   |  |
| 9.3 | Insulation Resistance<br>(Measurement Terminal)  |  |
| 9.4 | DC Resistance<br>(Measurement Terminal)          |  |
| 9.5 | Biased Humidity<br>(Supply Terminal)             |  |
| 9.6 | Operational Life<br>(Supply Terminal)            |  |

**10. P.C.B., Flux, Solder and Soldering condition**

Test shall be done using P.C.B., Flux, Solder and Soldering condition which are specified in item 13 except the case of being specified special condition.

## 11. Specification of Packaging

### 11.1 Appearance and Dimensions (12mm-wide, Plastic tape)



\*Dimension of the Cavity is measured at the bottom side. (in mm)

(in mm)

### 11.2. Specification of Taping

- (1) Packing quantity (Standard quantity)  $\phi$  180 mm reel : 1500 pcs. / reel
- (2) Packing Method  
Products shall be packaged in each embossed cavity of plastic tape and sealed with cover tape.
- (3) Sprocket Hole  
The sprocket holes are to the right as the tape is pulled toward the user.
- (4) Spliced point  
The cover tape have no spliced point.
- (5) Missing components number  
Missing components number within 0.1% of the number per reel or 1 pc., whichever is greater, and are not continuous. The specified quantity per reel is kept.

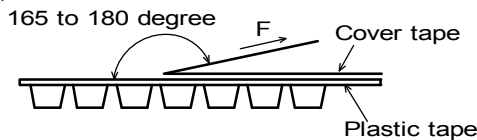
### 11.3. Pull Strength of Plastic Tape

|              |           |
|--------------|-----------|
| Plastic Tape | 5 N min.  |
| Cover Tape   | 10 N min. |

### 11.4. Peeling off force of Cover Tape

0.2N to 0.7N (minimum value is typical.)

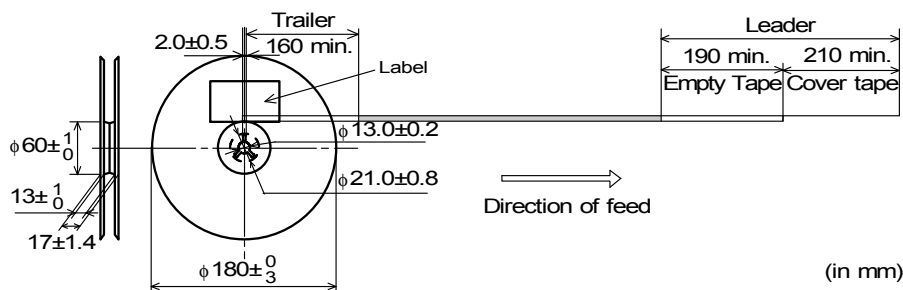
Speed of Peeling off : 300 mm / min



### 11.5. Dimensions of Leader-tape, Trailer and Reel

There shall be leader-tape (cover tape only and empty tape) and trailer-tape (empty tape) as follows.

« Packaging Code : L (  $\phi$  180mm reel ) »



(in mm)



### 13.2 Assembling

<Exclusive use of Reflow soldering>

Flow soldering may cause deterioration in insulation resistance.  
So, reflow soldering shall be applied for this product.

### 13.3 Cleaning Conditions

Do not clean after soldering. Some cleaning agents may degrade bonding strength, and characteristics of products by detaching. If cleaning, please contact us.

### 13.4 Resin coating

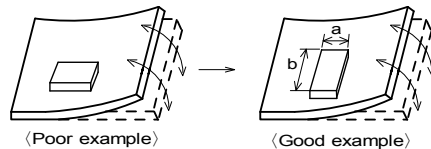
The inductance value may change due to high cure-stress of resin to be used for coating/molding products. An open circuit issue may occur by mechanical stress caused by the resin, amount/cured shape of resin, or operating condition etc. Some resin contains some impurities or chloride possible to generate chlorine by hydrolysis under some operating condition may cause corrosion of wire of coil, leading to open circuit. So, please pay your careful attention when you select resin in case of coating/molding the products with the resin. Prior to use the coating resin, please make sure no reliability issue is observed by evaluating products mounted on your board.

### 13.5 Attention regarding P.C.B. bending

The following shall be considered when designing and laying out P.C.B.'s.

- (1) P.C.B. shall be designed so that products are not subject to the mechanical stress due to warping the board.

[Products direction]



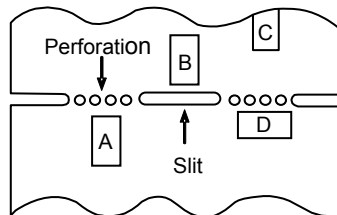
Products shall be location the sideways Direction (Length :  $a < b$ ) to the mechanical Stress.

- (2) Components location on P.C.B. separation.

It is effective to implement the following measures, to reduce stress in separating the board.

It is best to implement all of the following three measures; however, implement as many measures as possible to reduce stress.

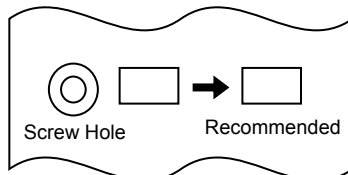
| Contents of Measures   | Stress Level |
|--|--------------|
| (1) Turn the mounting direction of the component parallel to the board separation surface. | $A > D$ *1   |
| (2) Add slits in the board separation part.  | $A > B$      |
| (3) Keep the mounting position of the component away from the board separation surface.    | $A > C$      |



\*1  $A > D$  is valid when stress is added vertically to the perforation as with Hand Separation.  
If a Cutting Disc is used, stress will be diagonal to the PCB, therefore  $A > D$  is invalid.

- (3) Mounting Components Near Screw Holes

When a component is mounted near a screw hole, it may be affected by the board deflection that occurs during the tightening of the screw. Mount the component in a position as far away from the screw holes as possible.



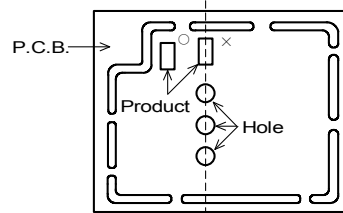
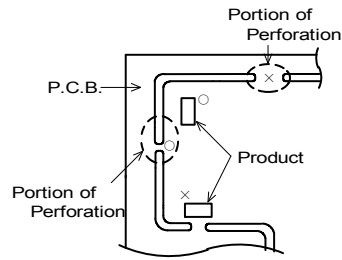
### 13.6 Attention Regarding P.C.B. Design

#### < The Arrangement of Products >

P.C.B. shall be designed so that products are far from the portion of perforation.

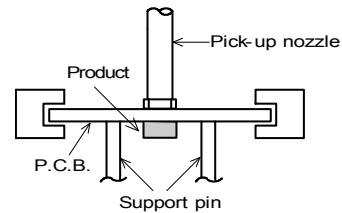
The portion of perforation shall be designed as narrow as possible, and shall be designed so as not to be applied the stress in the case of P.C.B. separation.

□ Products shall not be arranged on the line of a series of holes when there are big holes in P.C.B.  
(Because the stress concentrate on the line of holes.)



#### < Products Placing >

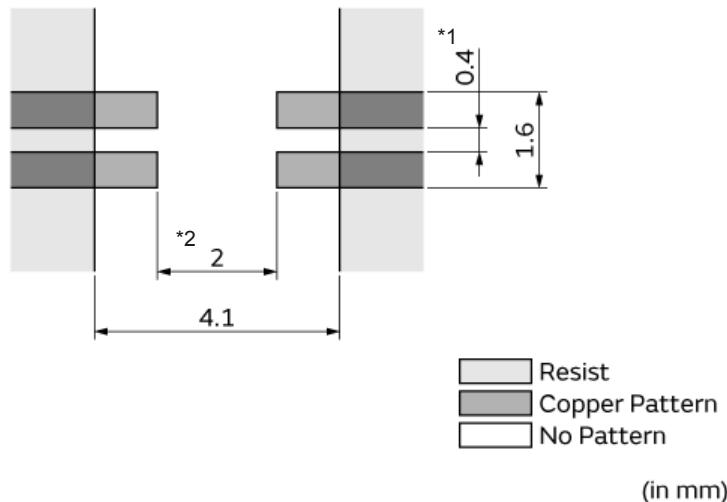
Support pins shall be set under P.C.B. to prevent causing a warp to P.C.B. during placing the products on the other side of P.C.B.



#### < P.C.B. Separation >

P.C.B. shall not be separated with hand.  
P.C.B. shall be separated with the fixture so as not to cause P.C.B. bending.

### 13.7 Standard Land Dimensions (Reflow)



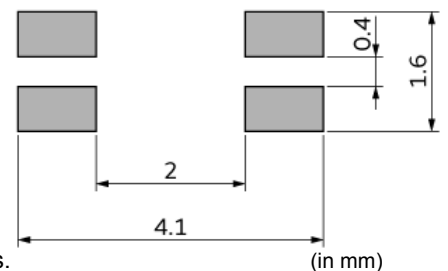
- \*1 If the pattern is made with less than 0.4mm, in the worst case, short circuit between lines may be occurred due to the spread of soldering paste or mount placing accuracy.
- \*2 If the pattern is made with wider, the strength of bending will be reduced. Moreover, if the pattern is made with less than 2mm, in the worst case short circuit may be occurred.
- \*3 Do not use gilded pattern. A copper wire may cause open by dissolution of metallization.

### 13.8 Standard Soldering Condition

#### 1.Reflow Soldering

##### (1) Standard printing pattern of solder paste

- Standard thickness of the solder paste should be 100 to 150 μm.
- Use the solder paste printing pattern of the right pattern.
- For the resist and copper foil pattern, use standard land dimensions.
- Use the Solder Sn-3.0Ag-0.5Cu for pattern printing.
- Spread of soldering paste between lines may cause short circuit of lines.



(2) Soldering Temperature

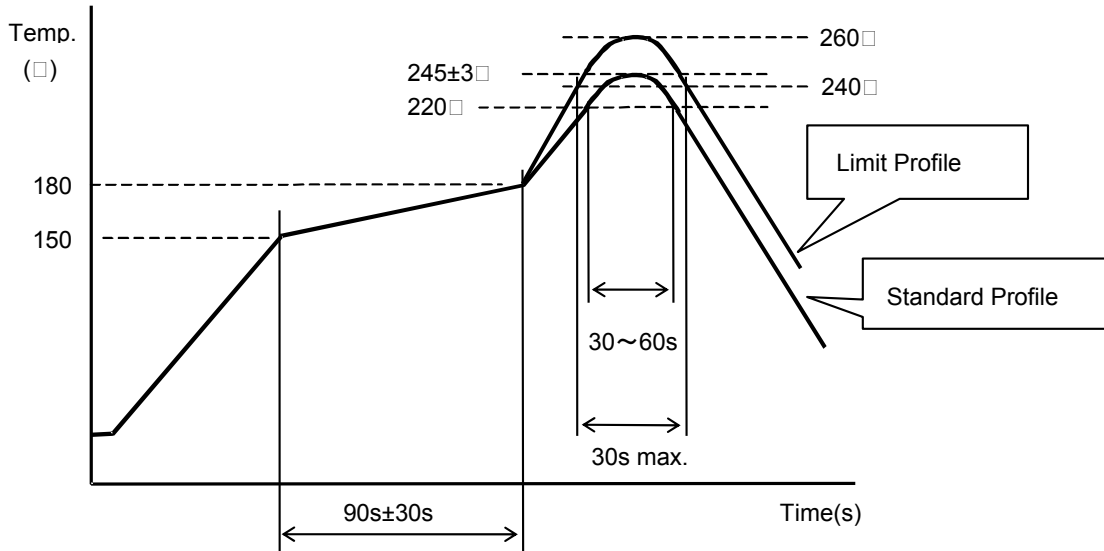
Temperature difference between soldering and surface of components must be within 150°C, in preheating. When components are immersed in liquid after soldering, temperature difference should be within 100°C. If preheating is not enough, components may be cracked and cause deterioration in insulation resistance.

(3) Soldering Condition

Standard soldering profile and the limit soldering profile is as follows.

The excessive limit soldering conditions may cause leaching of the electrode and / or resulting in the deterioration of product quality.

Soldering Profile for Lead Free solder (Sn-3.0Ag-0.5Cu solder )



2. Reworking with Soldering iron

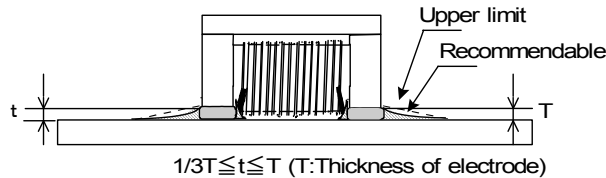
The following conditions must be strictly followed when using a soldering iron after being mounted by reflow soldering.

- Pre-heating: 150°C, 1 min
- Soldering iron output: 30W max.
- Tip temperature: 350°C max.
- Tip diameter: φ3mm max.
- Soldering time : 3(+1,-0) seconds.
- Times : 2times max.

Notes : Do not touch the products directly with the soldering iron.

3. Solder Volume

Solder shall be used not to be exceeded the upper limits.



Accordingly increasing the solder volume, the mechanical stress to Chip is also increased. Exceeding solder volume may cause the failure of mechanical or electrical performance. In case if the solder volume is much, we recommend to make the size of the solder paste with less than the land pattern.

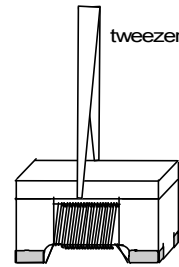
4. Solder fillet

Solder fillet in lateral direction is not formed in some case because of product's structure, but it is not something that affects product's performance and reliability.



### 13.9 Caution for use

- When you hold products with a tweezer, please hold like a figure of the right side, and sharp material, such as a pair of tweezers, shall not be touched to the winding portion to prevent the breaking of wire.
- Mechanical shock should not be applied to the products mounted on the board to prevent the breaking of the core.

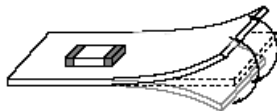


### 13.10 Handling of a substrate

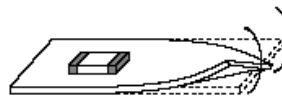
After mounting products on a substrate, do not apply any stress to the product caused by bending or twisting to the substrate when cropping the substrate, inserting and removing a connector from the substrate or tightening screw to the substrate.

Excessive mechanical stress may cause cracking in the product.

Bending



Twisting



### 13.11 Brushing of neighborhood of products

When you clean the neighborhood of products such as connector pins, bristles of cleaning brush shall not be touched to the winding portion to prevent the breaking of wire.

### 13.12 Operating Environment

Do not use this product under the following environmental conditions, on deterioration of the performance, such as insulation resistance may result from the use.

- (1) in corrosive gases (acidic gases, alkaline gases, chlorine, sulfur gases, organic gases and etc.)
- (2) in the atmosphere where liquid such as organic solvent, may splash on the products.

### 13.13 Storage Condition

#### (1) Storage period

Use the products within 12 months after delivered.

Solderability should be checked if this period is exceeded.

#### (2) Storage environment conditions

·Products should be stored in the warehouse on the following conditions.

Temperature : -10 ~ +40°C

Humidity : 15 to 85% relative humidity No rapid change on temperature and humidity.

· Products should not be stored in corrosive gases, such as sulfurous, acid gases, alkaline gases, to prevent the following deterioration.

Poor solderability due to the oxidized electrode.

· Products should be stored on the palette for the prevention of the influence from humidity, dust and so on.

· Products should be stored in the warehouse without heat shock, vibration, direct sunlight and so on.

· Products should not be stored under the air tight packaged condition.

#### (3) Delivery

Care should be taken when transporting or handling product to avoid excessive vibration or mechanical shock.

## 14. Note

(1) Please make sure that your product has been evaluated in view of your specifications with our product being mounted to your product.

(2) You are requested not to use our product deviating from the reference specifications.

(3) The contents of this reference specification are subject to change without advance notice. Please approve our product specifications or transact the approval sheet for product specifications before ordering.



Компания «ЭлектроПласт» предлагает заключение долгосрочных отношений при поставках импортных электронных компонентов на взаимовыгодных условиях!

Наши преимущества:

- Оперативные поставки широкого спектра электронных компонентов отечественного и импортного производства напрямую от производителей и с крупнейших мировых складов;
- Поставка более 17-ти миллионов наименований электронных компонентов;
- Поставка сложных, дефицитных, либо снятых с производства позиций;
- Оперативные сроки поставки под заказ (от 5 рабочих дней);
- Экспресс доставка в любую точку России;
- Техническая поддержка проекта, помощь в подборе аналогов, поставка прототипов;
- Система менеджмента качества сертифицирована по Международному стандарту ISO 9001;
- Лицензия ФСБ на осуществление работ с использованием сведений, составляющих государственную тайну;
- Поставка специализированных компонентов (Xilinx, Altera, Analog Devices, Intersil, Interpoint, Microsemi, Aeroflex, Peregrine, Syfer, Eurofarad, Texas Instrument, Miteq, Cobham, E2V, MA-COM, Hittite, Mini-Circuits, General Dynamics и др.);

Помимо этого, одним из направлений компании «ЭлектроПласт» является направление «Источники питания». Мы предлагаем Вам помощь Конструкторского отдела:

- Подбор оптимального решения, техническое обоснование при выборе компонента;
- Подбор аналогов;
- Консультации по применению компонента;
- Поставка образцов и прототипов;
- Техническая поддержка проекта;
- Защита от снятия компонента с производства.



#### Как с нами связаться

**Телефон:** 8 (812) 309 58 32 (многоканальный)

**Факс:** 8 (812) 320-02-42

**Электронная почта:** [org@eplast1.ru](mailto:org@eplast1.ru)

**Адрес:** 198099, г. Санкт-Петербург, ул. Калинина, дом 2, корпус 4, литера А.