

General Description

The MAX31914/MAX31915 evaluation kits (EV kits) provide the hardware necessary to evaluate the MAX31914 and MAX31915 industrial octal digital input translators. There is no software required for this EV kit.

EV Kit Contents

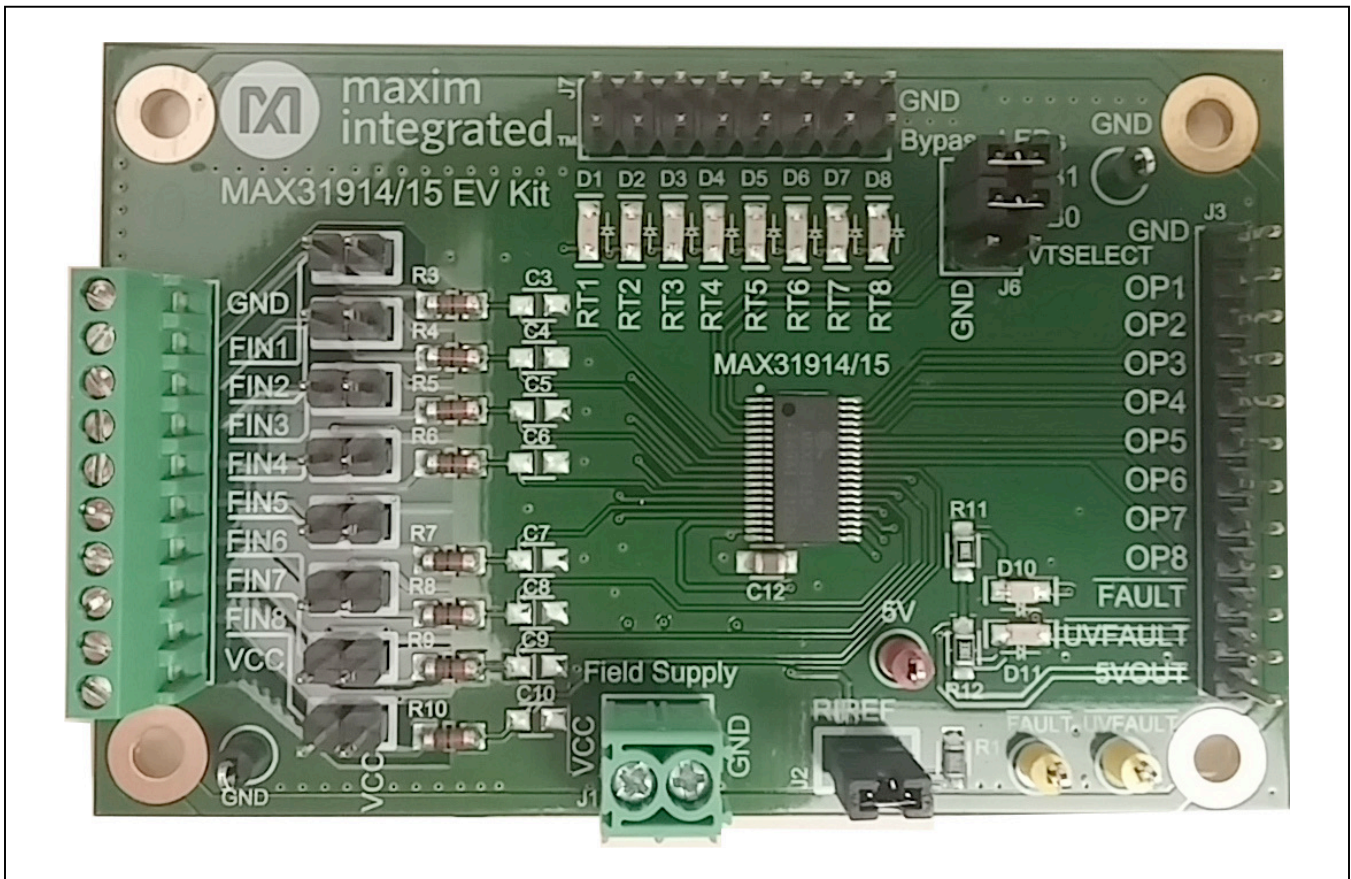
- Assembled circuit board including MAX31915

Features

- Easy Evaluation of the MAX31914 and MAX31915
- RoHS Compliant
- Proven PCB Layout
- Fully Assembled and Tested

[Ordering Information](#) appears at end of data sheet.

MAX31915 EV Kit Photo



Quick Start

Required Equipment

- MAX31914 and MAX31915 EV kits
- EV kit hardware (included)
- Screwdriver
- Wire
- 24V power supply

Procedure

The EV kit is fully assembled and tested. Follow the steps below to verify board operation:

- 1) Install a jumper on RIREF (J2).
- 2) Set the EV kit hardware on a nonconductive surface to ensure that nothing on the PCB gets shorted to the workspace.
- 3) Use the wires to connect J1 (VCC and GND) to a 24V power supply and tighten the screws on the wire.
- 4) Connect field inputs to J5 or install jumpers on FIN1–FIN8 to get the CMOS translation on J3 pins OP1–OP8.

Detailed Description of Hardware

Connect Field Inputs

To connect field inputs to the PCB, remove all pullup jumpers (FIN1–FIN8). Connect the field inputs to screw terminal J5 or to the left pin of jumpers FIN1–FIN8.

Adjust Current Limit

To adjust the current limit, remove the jumper on J2 and connect an external resistor to the RIREF pin on J2. Connect the other end of the resistor to GND. Another option is to keep the jumper on J2 populated and change the value of R1.

CMOS Logic Compatible Levels

To set the input trip points to CMOS logic compatible levels, populate the VTSELECT jumper on J6. When in this mode, the RTX pins must be grounded by populating the jumpers on J7 to bypass the LEDs. The reference resistor (R1) must also be changed to 100kΩ to adjust the current limit.

Table 1. Description of Jumpers

JUMPER	DESCRIPTION
J2	RIREF: Connects R1 to the RIREF pin.
J6*	DB0: Pulls DB0 down to GND. Used to select digital glitch filter.
	DB1: Pulls DB1 down to GND. Used to select digital glitch filter.
	VTSELECT: Pulls VTSELECT down to GND to set the field input trip points to CMOS-compatible logic. See the CMOS Logic-Compatible Levels section for more details.
J7	Bypass LEDs: Connects return path RTX to GND to bypass the LED.
FIN1–FIN8	Field Inputs Pullup: Connects field input FINX to VIN.

*These inputs have internal pullups.

Table 2. Description of LEDs (D1–D11)

LED	COLOR	DESCRIPTION
D1–D8	Red	Field Inputs: Field input is logic-high.
D10	Red	$\overline{\text{FAULT}}$: The device has detected a fault. Either the field-supply voltage is too low, the IC temperature is too high, or both.
D11	Red	$\overline{\text{UVFAULT}}$: The device has an undervoltage fault indicating the field supply voltage is too low.

Component Suppliers

SUPPLIER	WEBSITE
Bourns	www.bourns.com
ON Semiconductor	www.onsemi.com
Phoenix Contact	www.phoenixcontact.com
TE Connectivity	www.te.com
TDK Corp.	www.tdk.com
Vishay	www.vishay.com

Note: Indicate that you are using the MAX31915 when contacting these component suppliers..

Component List, PCB Files and Schematics

See the following links for component information, PCB files, and schematics:

- [MAX31914/MAX31915 EV BOM](#)
- [MAX31914/MAX31915 EV PCB Files](#)
- [MAX31914/MAX31915 EV Schematics](#)

Ordering Information

PART	TYPE
MAX31914EVKIT#	EV Kit
MAX31915EVKIT#	EV Kit

#Denotes RoHS compliant.

Revision History

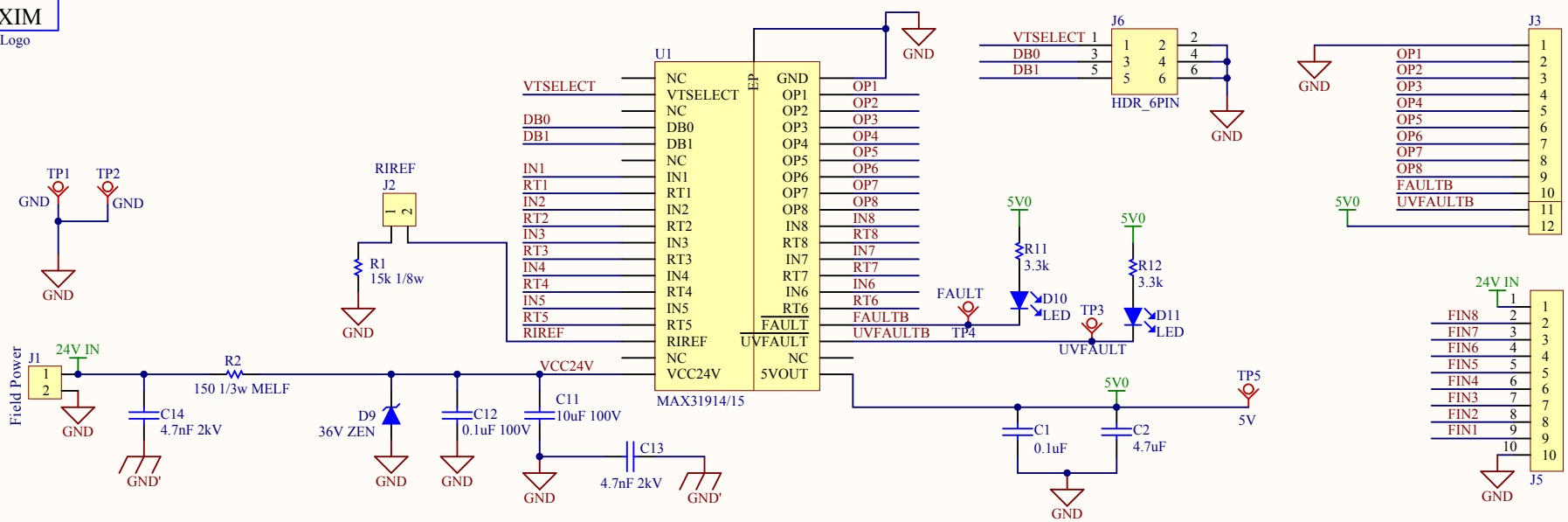
REVISION NUMBER	REVISION DATE	DESCRIPTION	PAGES CHANGED
0	8/13	Initial release	—
1	5/15	Added MAX31914 information to EV kit data sheet	1-7

For pricing, delivery, and ordering information, please contact Maxim Direct at 1-888-629-4642, or visit Maxim Integrated's website at www.maximintegrated.com.

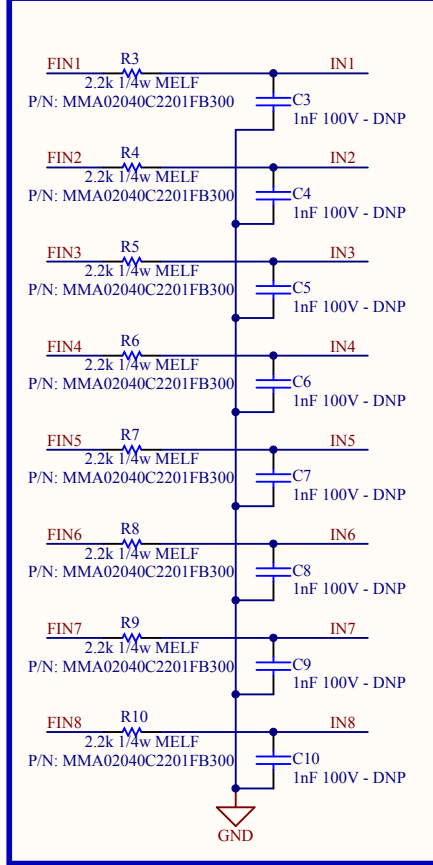
Maxim Integrated cannot assume responsibility for use of any circuitry other than circuitry entirely embodied in a Maxim Integrated product. No circuit patent licenses are implied. Maxim Integrated reserves the right to change the circuitry and specifications without notice at any time.

MAXIM

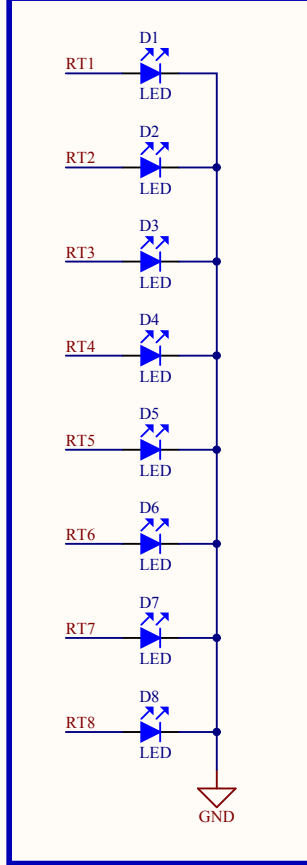
MAXIM_Logo



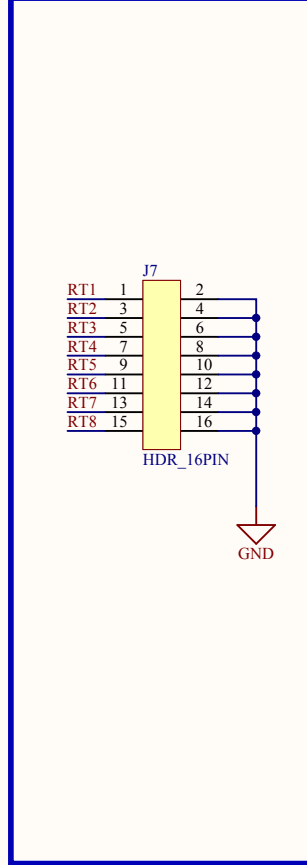
Input Filter Bank



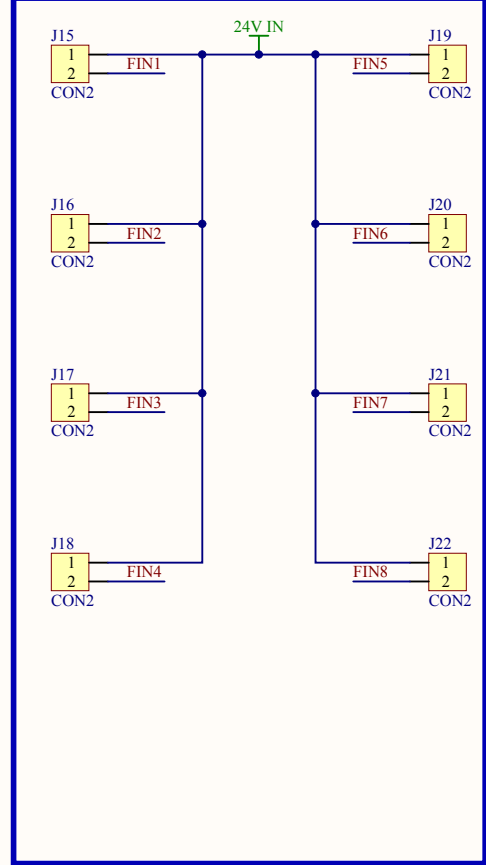
Input Indicator Bank



LED Bypass



Field Input Pull ups



REV A

2BW

C15

C16

C17

C18

C19

C20

C21

C22

C11

R5

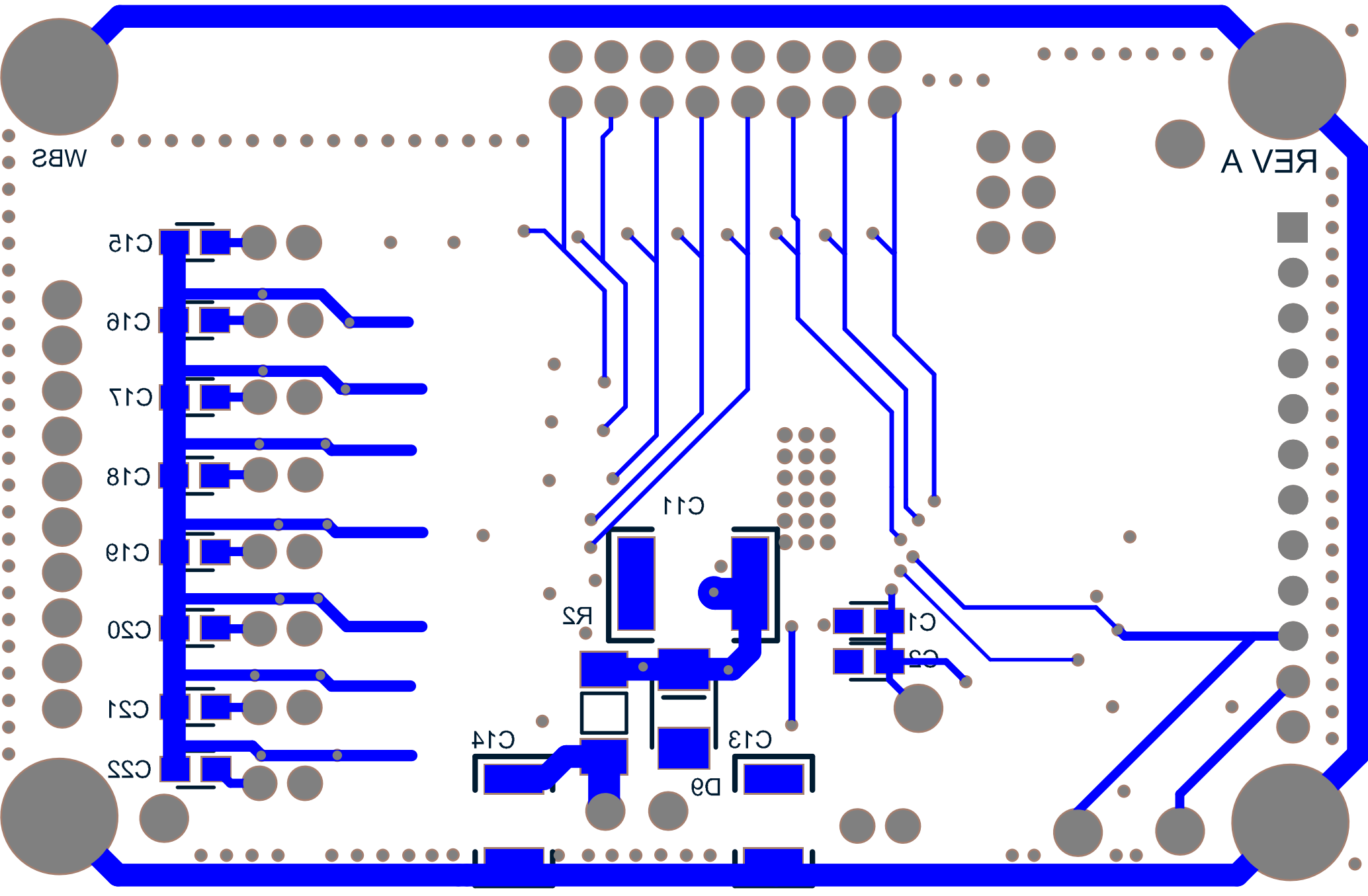
C1

C2

C13

D3

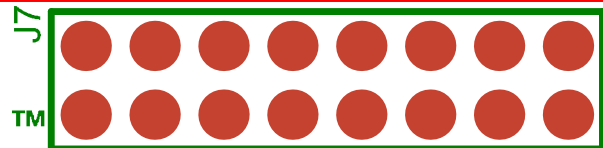
C14



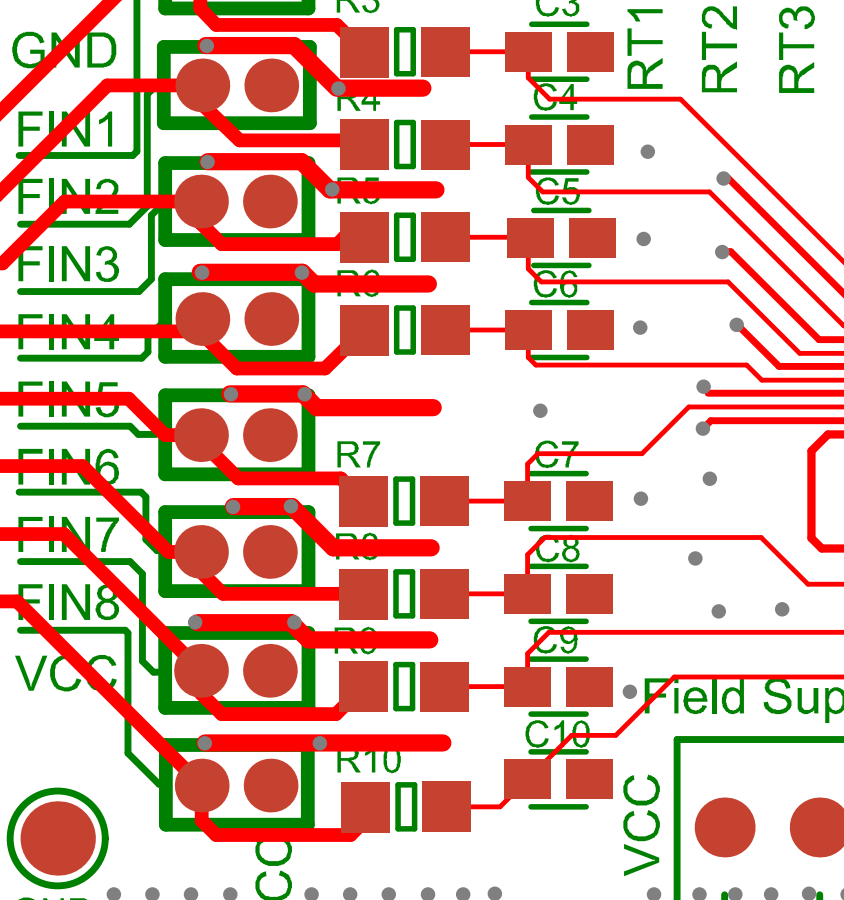
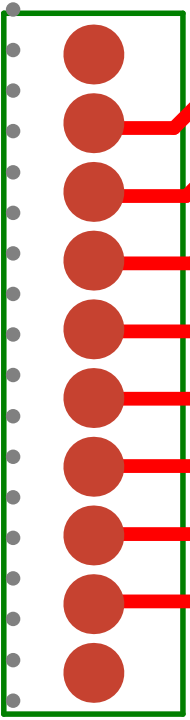
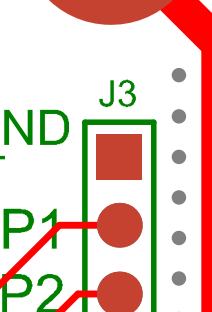
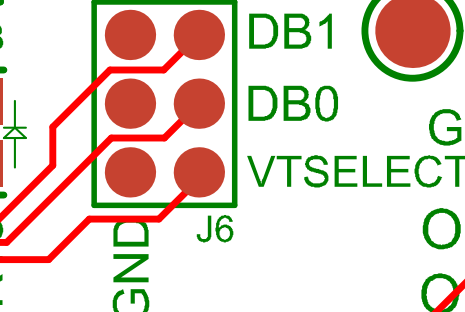
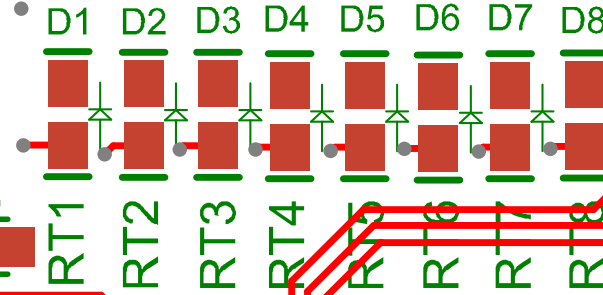


maxim
integrated™

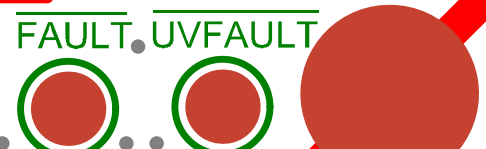
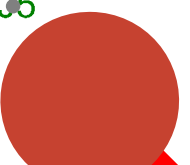
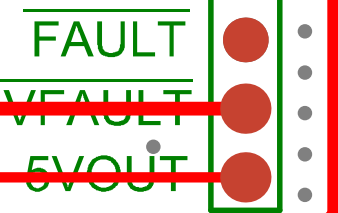
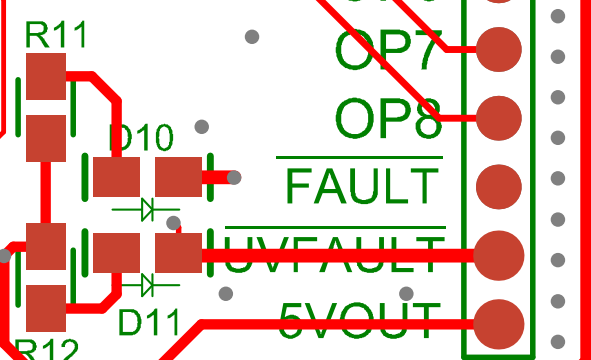
MAX31914/15 EV Kit



GND Bypass LEDs GND



MAX31914/15

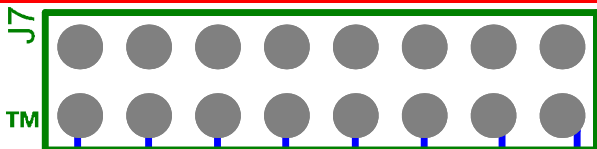




maxim
integrated™

28W

MAX31914/15 EV Kit



GND

Bypass LEDs

GND

DB1

DB0

VTSELECT

REV A

J3

GND

OP1

OP2

OP3

OP4

OP5

OP6

OP7

OP8

FAULT

UVFAULT

5VOUT

FAULT

UVFAULT

C12

GND

FIN1

FIN2

FIN3

FIN4

FIN5

FIN6

FIN7

FIN8

VCC

GND

R3

R4

R5

R6

R7

R8

R9

R10

C3

C4

C5

C6

C7

C8

C9

C10

C11

C12

C13

C14

C15

C16

C17

C18

C19

RT1

RT2

RT3

RT4

RT5

RT6

RT7

RT8

MAX31914/15

110

Field Supply

R11

R12

R1

R2

R3

C13

C14

C15

C16

C17

C18

C19

C20

C21

C22

C23

C24

C25

C26

C27

C28

C29

C30

C31

C32

C33

C34

C35

C36

C37

C38

C39

C40

C41

C42

C43

C44

C45

C46

C47

C48

C49

C50

C51

C52

C53

C54

C55

C56

C57

C58

C59

C60

C61

C62

C63

C64

C65

C66

C67

C68

C69

C70

C71

C72

C73

C74

C75

C76

C77

C78

C79

C80

C81

C82

C83

C84

C85

C86

C87

C88

C89

C90

C91

C92

C93

C94

C95

C96

C97

C98

C99

C100

C101

C102

C103

C104

C105

C106

C107

C108

C109

C110

C111

C112

C113

C114

C115

C116

C117

C118

C119

C120

C121

C122

C123

C124

C125

C126

C127

C128

C129

C130

C131

C132

C133

C134

C135

C136

C137

C138

C139

C140

C141

C142

C143

C144

C145

C146

C147

C148

C149

C150

C151

C152

C153

C154

C155

C156

C157

C158

C159

C160

C161

C162

C163

C164

C165

C166

C167

C168

C169

C170

C171

C172

C173

C174

C175

C176

C177

C178

C179

C180

C181

C182

C183

C184

C185

C186

C187

C188

C189

C190

C191

C192

C193

C194

C195

C196

C197

C198

C199

C200

C201

C202

C203

C204

C205

C206

C207

C208

C209

C210

C211

C212

C213

C214

C215

C216

C217

C218

C219

C220

C221

C222

C223

C224

C225

C226

C227

C228

C229

C230

C231

C232

C233

C234

C235

C236

C237

C238

C239

C240

C241

C242

C243

C244

C245

C246

C247

C248

C249

C250

C251

C252

C253

C254

C255

C256

C257

C258

BILLS OF MATERIALS (BOM) 5/15 Revision

Comment	Designator	Quan	PN#	MFG
0.1uF	C1, C12	2	CGA4J2X7R2A104K	TDK
4.7uF	C2	1	CGA4J3X5R1H475K	TDK
10uF 60V	C11	1	C5750X7S2A106M	TDK
36V ZEN	D9	1	1SMB36AT3G	ON Semi
LED	D1, D2, D3, D4, D5, D6, D7, D8, D10, D11	10	HSMS-C170	Avago Technologies
Phoenix Contact 1984617	J1	1	1984617	Phoenix Contact
CON10	J5	1	1-282834-0	TE Connectivity
RIREF, FIN1, FIN2, FIN3, FIN4, FIN5, FIN6, FIN7 FIN8, VCC, RIREF	J2, J15, J16, J17, J18, J19, J20, J21, J22	9	961102-6404-AR	3M
15k 1/8w	R1	1	CRCW080515K0FKEA	Vishay/Dale
150 1/3w MELF	R2	1	MMB02070C1500FB20 0	Vishay
2.2k 1/4w MELF	R3, R4, R5, R6, R7, R8, R9, R10	8	MMA02040C2201FB30 0	Vishay
3.3k	R11, R12	2	CRCW0805560RFKEA	Vishay/Dale
GND	TP1, TP2	2	5001	Keystone (02- TPMINI5001-00)
5V	TP5	1	5000	Keystone (02- TPMINI5000-00)
4700pF - 2kV Caps	C13, C14	2	1812GC472KAT1A	AVX
1nF- 1kV	C15, C16, C17, C18, C19, C20, C21, C22	8	C0805C102KDRACTU	Kemet
Jumpers		9	969102-0000-DA	3M
CON	J3	1	M20-9991245	Harwin
HDR_6PIN	J6	1	961206-6404-AR	3M
HDR_16PIN	J7	1	961216-6404-AR	3M

UVFAULT, FAULT	TP3, TP4	2	5004	Keystone (02- TPMINI5004-00)
MAX31914/1 5	U1	1		



Компания «ЭлектроПласт» предлагает заключение долгосрочных отношений при поставках импортных электронных компонентов на взаимовыгодных условиях!

Наши преимущества:

- Оперативные поставки широкого спектра электронных компонентов отечественного и импортного производства напрямую от производителей и с крупнейших мировых складов;
- Поставка более 17-ти миллионов наименований электронных компонентов;
- Поставка сложных, дефицитных, либо снятых с производства позиций;
- Оперативные сроки поставки под заказ (от 5 рабочих дней);
- Экспресс доставка в любую точку России;
- Техническая поддержка проекта, помощь в подборе аналогов, поставка прототипов;
- Система менеджмента качества сертифицирована по Международному стандарту ISO 9001;
- Лицензия ФСБ на осуществление работ с использованием сведений, составляющих государственную тайну;
- Поставка специализированных компонентов (Xilinx, Altera, Analog Devices, Intersil, Interpoint, Microsemi, Aeroflex, Peregrine, Syfer, Eurofarad, Texas Instrument, Miteq, Cobham, E2V, MA-COM, Hittite, Mini-Circuits, General Dynamics и др.);

Помимо этого, одним из направлений компании «ЭлектроПласт» является направление «Источники питания». Мы предлагаем Вам помощь Конструкторского отдела:

- Подбор оптимального решения, техническое обоснование при выборе компонента;
- Подбор аналогов;
- Консультации по применению компонента;
- Поставка образцов и прототипов;
- Техническая поддержка проекта;
- Защита от снятия компонента с производства.



Как с нами связаться

Телефон: 8 (812) 309 58 32 (многоканальный)

Факс: 8 (812) 320-02-42

Электронная почта: org@eplast1.ru

Адрес: 198099, г. Санкт-Петербург, ул. Калинина, дом 2, корпус 4, литера А.