



# Microprocessor Programmable Universal Active Filters

MAX260/MAX261/MAX262

## General Description

The MAX260/MAX261/MAX262 CMOS dual second-order universal switched-capacitor active filters allow microprocessor control of precise filter functions. No external components are required for a variety of band-pass, lowpass, highpass, notch, and allpass configurations. Each device contains two second-order filter sections that place center frequency, Q, and filter operating mode under programmed control.

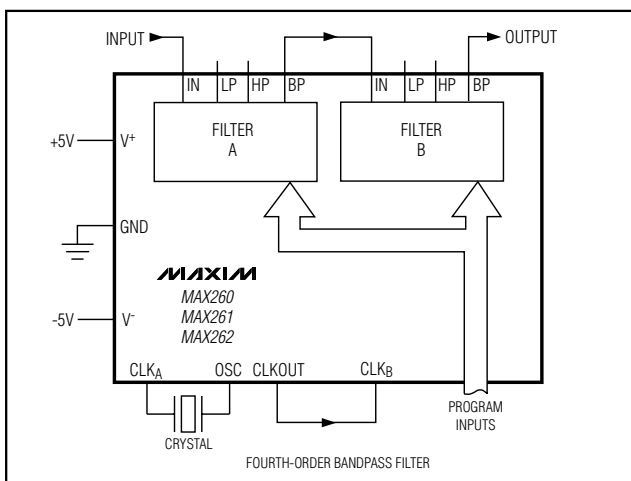
An input clock, along with a 6-bit  $f_0$  program input, determine the filter's center or corner frequency without affecting other filter parameters. The filter Q is also programmed independently. Separate clock inputs for each filter section operate with either a crystal, RC network, or external clock generator.

The MAX260 has offset and DC specifications superior to the MAX261 and MAX262 and a center frequency ( $f_0$ ) range of 7.5kHz. The MAX261 handles center frequencies to 57kHz, while the MAX262 extends the center frequency range to 140kHz by employing lower clock-to- $f_0$  ratios. All devices are available in 24-pin DIP and small outline packages in commercial, extended, and military temperature ranges.

## Applications

- µP-Tuned Filters
- Anti-Aliasing Filters
- Digital Signal Processing
- Adaptive Filters
- Signal Analysis
- Phase-Locked Loops

## Functional Diagram



## Features

- ◆ Filter Design Software Available
- ◆ Microprocessor Interface
- ◆ 64-Step Center Frequency Control
- ◆ 128-Step Q Control
- ◆ Independent Q and  $f_0$  Programming
- ◆ Guaranteed Clock to  $f_0$  Ratio-1% (A grade)
- ◆ 75kHz  $f_0$  Range (MAX262)
- ◆ Single +5V and  $\pm 5V$  Operation

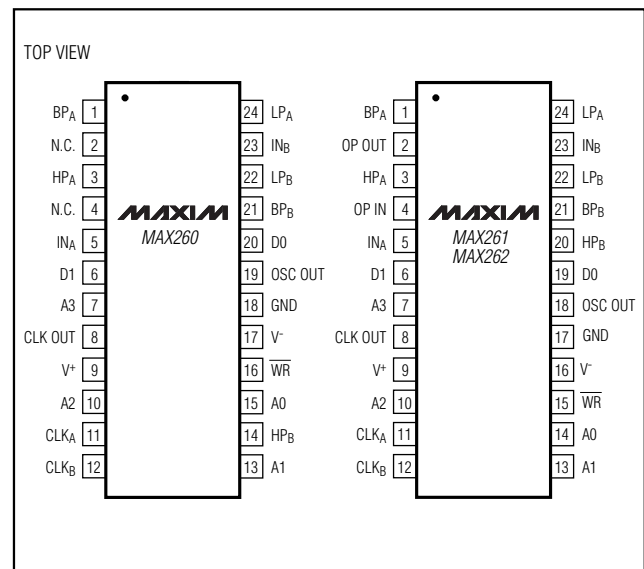
## Ordering Information

| PART       | TEMP RANGE      | PACKAGE     | ACCURACY |
|------------|-----------------|-------------|----------|
| MAX260ACNG | 0°C to +70°C    | Plastic DIP | 1%       |
| MAX260BCNG | 0°C to +70°C    | Plastic DIP | 2%       |
| MAX260AENG | -40°C to +85°C  | Plastic DIP | 1%       |
| MAX260BENG | -40°C to +85°C  | Plastic DIP | 2%       |
| MAX260ACWG | 0°C to +70°C    | Wide SO     | 1%       |
| MAX260BCWG | 0°C to +70°C    | Wide SO     | 2%       |
| MAX260AMRG | -55°C to +125°C | CERDIP      | 1%       |
| MAX260BMRG | -55°C to +125°C | CERDIP      | 2%       |

\*All devices—24-pin packages 0.3in-wide packages

Ordering Information continued at end of data sheet.

## Pin Configurations



# Microprocessor Programmable Universal Active Filters

## ABSOLUTE MAXIMUM RATINGS

|  |  |   |                 |
|--|--|---|-----------------|
| Total Supply Voltage (V <sup>+</sup> to V <sup>-</sup> ) ..... | 15V  | Operating Temperature Ranges            |                 |
| Input Voltage, any pin .....                                   | (V <sup>-</sup> - 0.3V) to (V <sup>+</sup> + 0.3V) | MAX260/MAX261/MAX262XCXG .....          | 0°C to +70°C    |
| Input Current, any pin .....                                   | ±50mA  | MAX260/MAX261/MAX262XEXG .....          | -40°C to +85°C  |
| Power Dissipation  |  | MAX260/MAX261/MAX262XMXG .....          | -55°C to +125°C |
| Plastic DIP (derate 8.33mW/°C above 70°C) .....                | 660mW  | Storage Temperature Range .....         | -65°C to +160°C |
| CERDIP (derate 12.5mW/°C above 70°C) .....                     | 1000mW   | Lead Temperature (Soldering, 10s) ..... | +300°C          |
| Wide SO (derate 11.8mW/°C above 70°C) .....                    | 944mW  |   |                 |

Stresses beyond those listed under "Absolute Maximum Ratings" may cause permanent damage to the device. These are stress ratings only, and functional operation of the device at these or any other conditions beyond those indicated in the operational sections of the specifications is not implied. Exposure to absolute maximum rating conditions for extended periods may affect device reliability.

## ELECTRICAL CHARACTERISTICS

(V<sup>+</sup> = +5V, V<sup>-</sup> = -5V, CLK<sub>A</sub> = CLK<sub>B</sub> = ±5V 350kHz for the MAX260 and 1.5MHz for the MAX261/MAX262, f<sub>CLK</sub>/f<sub>0</sub> = 199.49 for MAX260/MAX261 and 139.80 for MAX262, Filter Mode 1, T<sub>A</sub> = +25°C, unless otherwise noted.)

| PARAMETER  | CONDITIONS  |                      | MIN            | TYP  | MAX  | UNITS  |    |
|--|---|----------------------|----------------|------|------|--------|----|
| f <sub>0</sub> Center Frequency Range                        |   |                      | See Table 1    |      |      |        |    |
| Maximum Clock Frequency                                      |   |                      | See Table 1    |      |      |        |    |
| f <sub>CLK</sub> /f <sub>0</sub> Ratio Error (Note 1)        | T <sub>A</sub> = T <sub>MIN</sub> to T <sub>MAX</sub> | MAX260A              |                | ±0.2 | ±1.0 | %      |    |
|  |   | MAX260B              |                | ±0.2 | ±2.0 |        |    |
|  |   | MAX261/MAX262A       |                | ±0.2 | ±1.0 |        |    |
|  |   | MAX261/MAX262B       |                | ±0.2 | ±2.0 |        |    |
| f <sub>0</sub> Temperature Coefficient                       |   |                      |                | -5   |      | ppm/°C |    |
| Q Accuracy (deviation from ideal continuous filter) (Note 2) | T <sub>A</sub> = T <sub>MIN</sub> to T <sub>MAX</sub> | Q = 8                | MAX260A        |      | ±1   | ±6     | %  |
|  |   | Q = 8                | MAX260B        |      | ±1   | ±10    |    |
|  |   | Q = 32               | MAX260A        |      | ±2   | ±10    |    |
|  |   | Q = 32               | MAX260B        |      | ±2   | ±15    |    |
|  |   | Q = 64               | MAX260A        |      | ±4   | ±20    |    |
|  |   | Q = 64               | MAX260B        |      | ±4   | ±25    |    |
|  |   | Q = 8                | MAX261/MAX262A |      | ±1   | ±6     |    |
|  |   | Q = 8                | MAX261/MAX262B |      | ±1   | ±10    |    |
|  |   | Q = 32               | MAX261/MAX262A |      | ±2   | ±10    |    |
|  |   | Q = 32               | MAX261/MAX262B |      | ±2   | ±15    |    |
|  |   | Q = 64               | MAX261/MAX262A |      | ±4   | ±20    |    |
|  |   | Q = 64               | MAX261/MAX262B |      | ±4   | ±25    |    |
| Q Temperature Coefficient                                    |   |                      |                | ±20  |      | ppm/°C |    |
| DC Lowpass Gain Accuracy                                     |   |                      | MAX260         |      | ±0.1 | ±0.3   | dB |
|  |   |                      | MAX261/MAX262  |      | ±0.1 | ±0.5   |    |
| Gain Temperature Coefficient                                 | Lowpass (at D.C.)<br>Bandpass (at f <sub>0</sub> )    | MAX260               |                | -5   |      | ppm/°C |    |
|  |   | MAX261/MAX262        |                | -5   |      |        |    |
|  |   | MAX260/MAX261/MAX262 |                | +20  |      |        |    |

# Microprocessor Programmable Universal Active Filters

MAX260/MAX261/MAX262

## ELECTRICAL CHARACTERISTICS (continued)

( $V^+ = +5V$ ,  $V^- = -5V$ ,  $CLK_A = CLK_B = \pm 5V$  350kHz for the MAX260 and 1.5MHz for the MAX261/MAX262,  $f_{CLK}/f_0 = 199.49$  for MAX260/MAX261 and 139.80 for MAX262, Filter Mode 1,  $T_A = +25^\circ C$ , unless otherwise noted.)

| PARAMETER  | CONDITIONS   | MIN                  | TYP         | MAX        | UNITS          |
|--|--|----------------------|-------------|------------|----------------|
| Offset Voltage At Filter Outputs—LP, BP, HP (Note 3) | $T_A = T_{MIN}$ to $T_{MAX}$ , Q = 4<br>Mode 1                 | MAX260A              | $\pm 0.05$  | $\pm 0.25$ | V              |
|  |  | MAX260B              | $\pm 0.15$  | $\pm 0.45$ |                |
|  |  | MAX261A              | $\pm 0.40$  | $\pm 1.00$ |                |
|  |  | MAX261B              | $\pm 0.80$  | $\pm 1.60$ |                |
|  |  | MAX262A              | $\pm 0.40$  | $\pm 1.20$ |                |
|  |  | MAX262B              | $\pm 0.80$  | $\pm 1.60$ |                |
|  | Mode 3   | MAX260A              | $\pm 0.075$ | $\pm 0.30$ |                |
|  |  | MAX260B              | $\pm 0.075$ | $\pm 0.50$ |                |
|  |  | MAX261A              | $\pm 0.50$  | $\pm 1.10$ |                |
|  |  | MAX261B              | $\pm 0.90$  | $\pm 1.60$ |                |
|  |  | MAX262A              | $\pm 0.50$  | $\pm 1.30$ |                |
|  |  | MAX262B              | $\pm 0.90$  | $\pm 1.60$ |                |
| Offset Voltage Temperature Coefficient               | $f_{CLK}/f_0 = 100.53$ , Q = 4<br>$T_A = T_{MIN}$ to $T_{MAX}$ |                      | $\pm 0.75$  |            | mV/ $^\circ C$ |
| Clock Feedthrough                                    |  |                      | $\pm 4$     |            | mV             |
| Crosstalk  |  |                      | -70         |            | dB             |
| Wideband Noise                                       | Q = 1, 2nd-Order, LP/BP  | See Typ. Oper. Char. |             |            | $\mu V_{RMS}$  |
|  | 4th-Order LP (Figure 26)                                       | 90                   |             |            |                |
|  | 4th-Order BP (Figure 24) (Note 4)                              | 100                  |             |            |                |
| Harmonic Distortion at $f_0$                         | Q = 4, $V_{IN} = 1.5V_{P-P}$                                   | -67                  |             |            | dB             |
| Supply Voltage Range                                 | $T_A = T_{MIN}$ to $T_{MAX}$                                   | $\pm 2.37$           | $\pm 5$     | $\pm 6.3$  | V              |
| Power Supply Current (Note 5)                        | $T_A = T_{MIN}$ to $T_{MAX}$<br>CMOS Level Logic Inputs        | MAX260               | 15          | 20         | mA             |
|  |  | MAX261               | 16          | 20         |                |
|  |  | MAX262               | 16          | 20         |                |
| Shutdown Supply Current                              | Q0A - Q6A = all 0,<br>CMOS Level Logic Inputs (Note 5)         | 1.5                  |             |            | mA             |
| <b>INTERNAL AMPLIFIERS</b>                           |  |                      |             |            |                |
| Output Signal Swing                                  | $T_A = T_{MIN}$ to $T_{MAX}$ , 10k $\Omega$ load (Note 6)      | $\pm 4.75$           |             |            | V              |
| Output Signal Circuit Current                        | Source   | 50                   |             |            | mA             |
|  | Sink   | 2                    |             |            |                |
| Power Supply Rejection Ratio                         | 0Hz to 10kHz   | -70                  |             |            | dB             |
| Gain Bandwidth Product                               |  | 2.5                  |             |            | MHz            |
| Slew Rate  |  | 6                    |             |            | V/ $\mu s$     |

# Microprocessor Programmable Universal Active Filters

## ELECTRICAL CHARACTERISTICS (for $V_{\pm} = \pm 2.5V \pm 5\%$ )

( $V^+ = +2.37V$ ,  $V^- = -2.37V$ ,  $CLK_A = CLK_B = \pm 2.5V$  250kHz for the MAX260 and 1MHz for the MAX261/MAX262,  $f_{CLK}/f_0 = 199.49$  for MAX260/MAX261 and 139.80 for MAX262, Filter Mode 1,  $T_A = +25^\circ C$ , unless otherwise noted.)

| PARAMETER  | CONDITIONS                       |                        | MIN       | TYP      | MAX      | UNITS |
|--|----------------------------------|------------------------|-----------|----------|----------|-------|
| $f_0$ Center Frequency Range   |                                  |                        | (Note 7)  |          |          |       |
| Maximum Clock Frequency  |                                  |                        | (Note 7)  |          |          |       |
| $f_{CLK}/f_0$ Ratio Error<br>(Notes 1, 8)                              | Q = 8                            | MAX26XA                | $\pm 0.1$ | 1        |          | %     |
|  |                                  | MAX26XB                | $\pm 0.1$ | 2        |          |       |
| Q Accuracy (deviation from ideal<br>continuous filter)<br>(Notes 2, 8) | Q = 8                            | $f_{CLK}/f_0 = 199.49$ | MAX260A   | $\pm 2$  | $\pm 6$  | %     |
|  |                                  |                        | MAX260B   | $\pm 2$  | $\pm 10$ |       |
|  | $f_{CLK}/f_0 = 199.49$           | MAX261A                | $\pm 2$   | $\pm 6$  |          |       |
|  |                                  | MAX261B                | $\pm 2$   | $\pm 10$ |          |       |
|  | $f_{CLK}/f_0 = 139.80$           | MAX262A                | $\pm 2$   | $\pm 6$  |          |       |
|  |                                  | MAX262B                | $\pm 2$   | $\pm 10$ |          |       |
| Output Signal Swing  | All Outputs (Note 6)             |                        | $\pm 2$   |          |          | V     |
| Power Supply Current   | CMOS Level Logic Inputs (Note 5) |                        | 7         |          |          | mA    |
| Shutdown Current   | CMOS Level Logic Inputs (Note 5) |                        | 0.35      |          |          | mA    |

**Note 1:**  $f_{CLK}/f_0$  accuracy is tested at 199.49 on the MAX260/MAX261, and at 139.8 on the MAX262.

**Note 2:** Q accuracy tested at Q = 8, 32, and 64. Q of 32 and 64 tested at 1/2 stated clock frequency.

**Note 3:** The offset voltage is specified for the entire filter. Offset is virtually independent of Q and  $f_{CLK}/f_0$  ratio setting. The test clock frequency for mode 3 is 175kHz for the MAX260 and 750kHz for the MAX261/MAX262.

**Note 4:** Output noise is measured with an RC output smoothing filter at  $4 \times f_0$  to remove clock feedthrough.

**Note 5:** TTL logic levels are: HIGH = 2.4V, LOW = 0.8V. CMOS logic levels are: HIGH = 5V, LOW = 0V. Power supply current is typically 4mA higher with TTL logic and clock input levels.

**Note 6:** On the MAX260 only, the HP output signal swing is typically 0.75V less than the LP or BP outputs.

**Note 7:** At  $\pm 2.5V$  supplies, the  $f_0$  range and maximum clock frequency are typically 75% of values listed in Table 1.

**Note 8:**  $f_{CLK}/f_0$  and Q accuracy are a function of the accuracy of internal capacitor ratios. No increase in error is expected at  $\pm 2.5V$  as compared to  $\pm 5V$ ; however, these parameters are only tested to the extent indicated by the MIN or MAX limits.

## INTERFACE SPECIFICATIONS (Note 9)

( $V^+ = +5V$ ,  $V^- = -5V$ ,  $T_A = +25^\circ C$ , unless otherwise noted.)

| PARAMETER                   | SYMBOL   | CONDITIONS  | MIN | TYP | MAX      | UNITS   |
|-----------------------------|----------|---|-----|-----|----------|---------|
| $\overline{WR}$ Pulse Width | $t_{WR}$ |   | 250 | 150 |          | ns      |
| Address Setup               | $t_{AS}$ |   | 25  |     |          | ns      |
| Address Hold                | $t_{AH}$ |   | 0   |     |          | ns      |
| Data Setup                  | $t_{DS}$ |   | 100 | 50  |          | ns      |
| Data Hold                   | $t_{DH}$ |   | 10  | 0   |          | ns      |
| Logic Input High            | $V_{IH}$ | $\overline{WR}$ , D0, D1, A0–A3, $CLK_A$ , $CLK_B$<br>$T_A = T_{MIN}$ to $T_{MAX}$  | 2.4 |     |          | V       |
| Logic Input Low             | $V_{IL}$ | $\overline{WR}$ , D0, D1, A0–A3, $CLK_A$ , $CLK_B$<br>$T_A = T_{MIN}$ to $T_{MAX}$  |     |     | 0.8      | V       |
| Input Leakage Current       | $I_{IN}$ | $\overline{WR}$ , D0, D1, A0–A3, $CLK_B$<br>$CLK_A$<br>$T_A = T_{MIN}$ to $T_{MAX}$ |     | 6   | 10<br>60 | $\mu A$ |
| Input Capacitance           | $C_{IN}$ | $\overline{WR}$ , D0, D1, A0–A3, $CLK_A$ , $CLK_B$                                  |     |     | 15       | pF      |

**Note 9:** Interface timing specifications are guaranteed by design and are not subject to test.

# Microprocessor Programmable Universal Active Filters

## Pin Description

**MAX260/MAX261/MAX262**

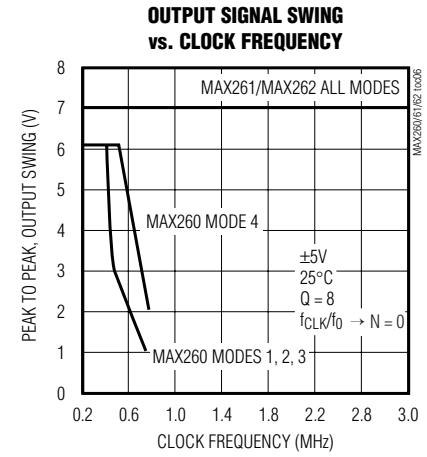
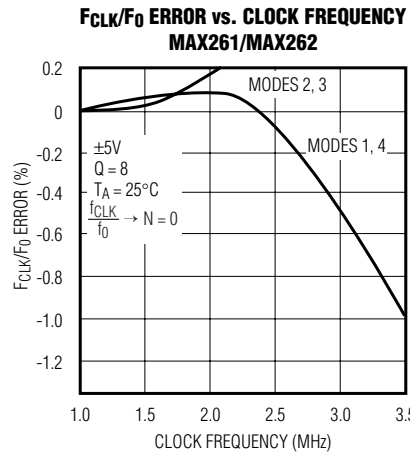
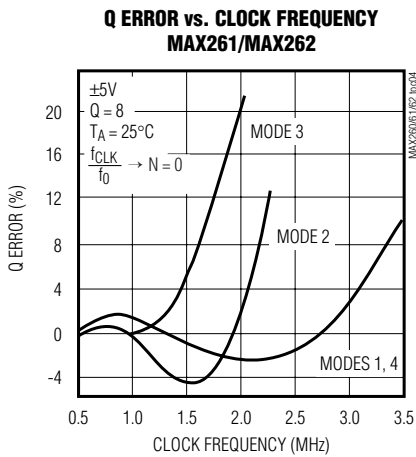
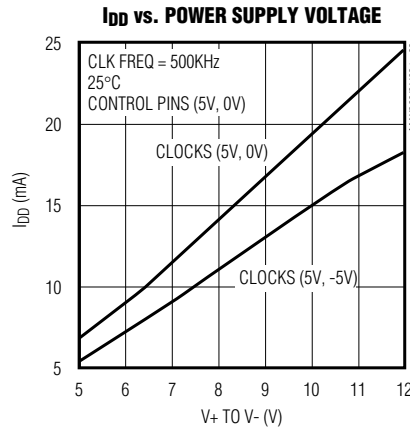
| PIN    |                   | NAME             | FUNCTION  |
|--------|-------------------|------------------|---|
| MAX260 | MAX261/<br>MAX262 |                  |   |
| 9      | 9                 | V <sup>+</sup>   | Positive supply voltage   |
| 17     | 16                | V <sup>-</sup>   | Negative supply voltage   |
| 18     | 17                | GND              | Analog Ground. Connect to the system ground for dual supply operation or mid-supply for single supply operation. GND should be well bypassed in single supply applications. |
| 11     | 11                | CLK <sub>A</sub> | Input to the oscillator and clock input to section A. This clock is internally divided by 2.  |
| 12     | 12                | CLK <sub>B</sub> | Clock input to filter B. This clock is internally divided by 2.   |
| 8      | 8                 | CLK OUT          | Clock output for crystal and R-C oscillator operation   |
| 19     | 18                | OSC OUT          | Connects to crystal or R-C for self-clocked operation   |

| PIN           |                   | NAME                              | FUNCTION   |
|---------------|-------------------|-----------------------------------|--|
| MAX260        | MAX261/<br>MAX262 |                                   |  |
| 5, 23         | 5, 23             | IN <sub>A</sub> , IN <sub>B</sub> | Filter inputs  |
| 1, 21         | 1, 21             | BP <sub>A</sub> , BP <sub>B</sub> | Bandpass outputs   |
| 24, 22        | 24, 22            | LP <sub>A</sub> , LP <sub>B</sub> | Lowpass outputs  |
| 3, 14         | 3, 20             | HP <sub>A</sub> , HP <sub>B</sub> | Highpass/notch/allpass outputs   |
| 16            | 15                | $\overline{WR}$                   | Write enable input   |
| 15, 13, 10, 7 | 14, 13, 10, 7     | A0, A1, A2, A3                    | Address inputs for f <sub>0</sub> and Q input data locations   |
| 20, 6         | 19, 6             | D0, D1                            | Data inputs for f <sub>0</sub> and Q programming   |
|               | 2                 | OP OUT                            | Output of uncommitted op amp on MAX261/MAX262 only. Pin 2 is a no-connect on the MAX260.   |
|               | 4                 | OP IN                             | Inverting input of uncommitted op amp on MAX261/MAX262 only (noninverting input is internally connected to ground). Pin 4 is a no-connect on the MAX260. |

# Microprocessor Programmable Universal Active Filters

## Typical Operating Characteristics

( $T_A = +25^\circ\text{C}$ , unless otherwise noted.)



### Wideband RMS Noise (db ref. to 2.47V<sub>RMS</sub>, 7V<sub>P-P</sub>) ±5V Supplies

|                   | MODE | Q = 1 |     |         | Q = 8 |     |         | Q = 64 |     |         |
|-------------------|------|-------|-----|---------|-------|-----|---------|--------|-----|---------|
|                   |      | LP    | BP  | HP/AP/N | LP    | BP  | HP/AP/N | LP     | BP  | HP/AP/N |
| MAX261/<br>MAX262 | 1    | -84   | -90 | -84     | -80   | -82 | -85     | -72    | -73 | -85     |
|                   | 2    | -88   | -90 | -88     | -84   | -82 | -84     | -77    | -73 | -76     |
|                   | 3    | -84   | -90 | -88     | -80   | -82 | -82     | -73    | -73 | -74     |
|                   | 4    | -83   | -89 | -84     | -79   | -81 | -85     | -71    | -73 | -85     |
| MAX260            | 1    | -87   | -89 | -86     | -81   | -81 | -86     | -73    | -73 | -86     |
|                   | 2    | -89   | -88 | -85     | -83   | -80 | -82     | -75    | -72 | -74     |
|                   | 3    | -87   | -88 | -85     | -80   | -82 | -80     | -71    | -72 | -72     |
|                   | 4    | -87   | -88 | -86     | -81   | -81 | -86     | -71    | -72 | -86     |

**Note 1:**  $f_{CLK} = 1\text{MHz}$  for MAX261/MAX262,  $f_{CLK} = 350\text{kHz}$  for MAX260

**Note 2:**  $f_{CLK}/f_0$  ratio programmed at  $N = 63$  (see Table 2)

**Note 3:** Clock feedthrough is removed with an RC lowpass at  $4f_0$ , i.e.,  $R = 3.9\text{k}\Omega$ ,  $C = 2000\text{pF}$  for MAX261.

### Noise Spectral Distribution

(MAX261,  $f_{CLK} = 1\text{MHz}$ , dB ref. to 2.47V<sub>RMS</sub>, 7V<sub>P-P</sub>)

| MEASUREMENT BANDWIDTH | Q = 1 | Q = 8 | Q = 64 |
|-----------------------|-------|-------|--------|
| Wideband              | -84   | -80   | -72    |
| 3kHz                  | -87   | -87   | -86    |
| C Message Weighted    | -93   | -93   | -93    |

# Microprocessor Programmable Universal Active Filters

MAX260/MAX261/MAX262

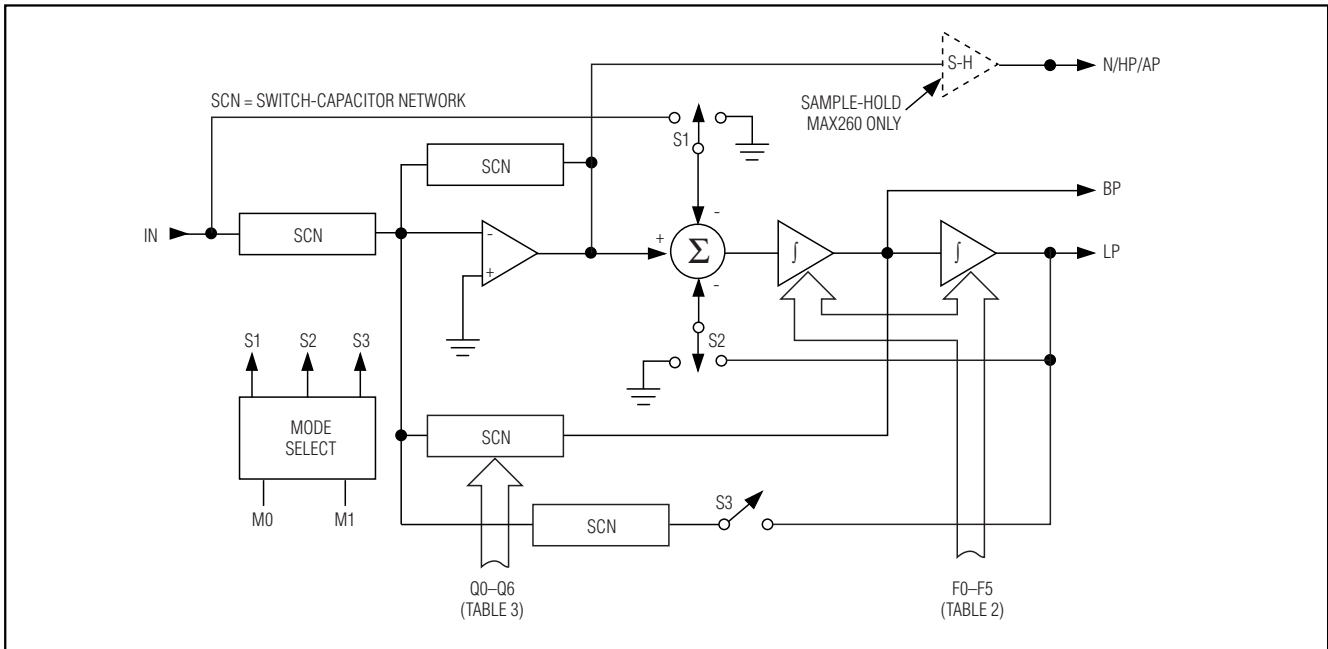


Figure 1. Filter Block Diagram (One Second-Order Section)

## Introduction

Each MAX260/MAX261/MAX262 contains two second-order switched-capacitor active filters. Figure 1 shows the filter's state variable topology, employed with two cascaded integrators and one summing amplifier. The MAX261 and MAX262 also contain an uncommitted amplifier. On-chip switches and capacitors provide feedback to control each filter section's  $f_0$  and  $Q$ . Internal capacitor ratios are primarily responsible for the accuracy of these parameters. Although these switched-capacitor networks (SCN) are in fact sampled systems, their behavior very closely matches that of continuous filters, such as RC active filters. The ratio of the clock frequency to the filter center frequency ( $f_{CLK}/f_0$ ) is kept large so that ideal second-order state-variable response is maintained.

The MAX262 uses a lower range of sampling ( $f_{CLK}/f_0$ ) ratios than the MAX260 or MAX261 to allow higher operating  $f_0$  frequencies and signal bandwidths. These reduced sample rates result in somewhat more deviation from ideal continuous filter parameters than with the MAX260/MAX261. However, these differences can be compensated using Figure 20 (see *Application Hints*) or Maxim's filter design software.

The MAX260 employs auto-zero circuitry not included in the MAX261 or MAX262. This provides improved DC characteristics, and improved low-frequency perform-

ance at the expense of high-end  $f_0$  and signal bandwidth. The N/HP/AP outputs of the MAX260 are internally sample-and-held as a result of its auto-zero operation. Signal swing at this output is somewhat reduced as a result (MAX260 only). See Table 1 for bandwidth comparisons of the three filters.

Maxim also provides design programs that aid in converting filter response specifications into the  $f_0$  and  $Q$  program codes used by the MAX260 series devices. This software also precompensates  $f_0$  and  $Q$  when low sample rates are used.

It is important to note that, in all MAX260 series filters, the filter's internal sample rate is one half the input clock rate ( $CLK_A$  or  $CLK_B$ ) due to an internal division by two. All clock-related data, tables, and other discussions in this data sheet refer to the frequency at the  $CLK_A$  or  $CLK_B$  input, i.e., twice the internal sample rate, unless specifically stated otherwise.

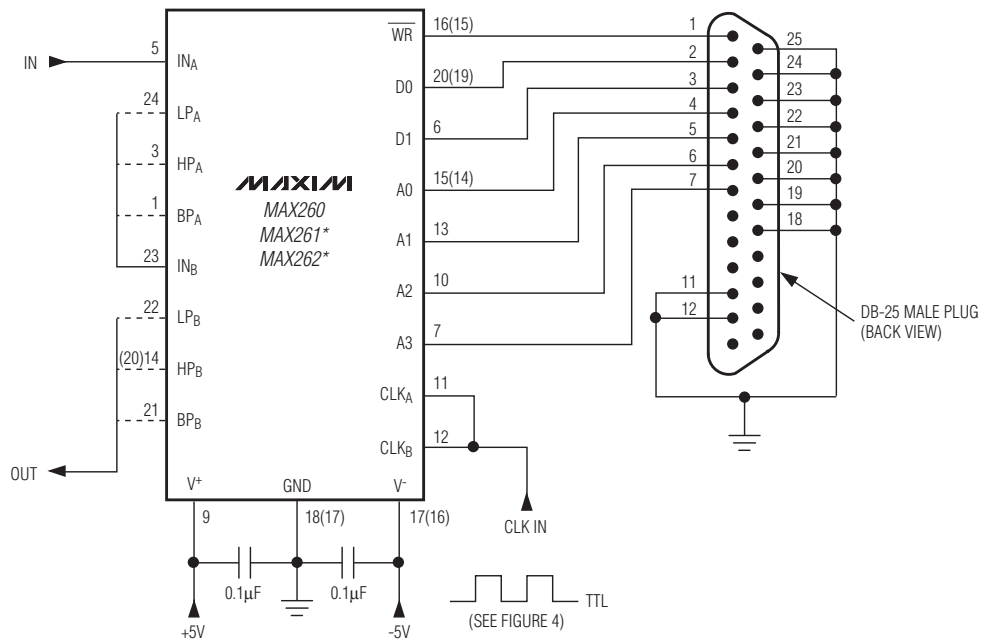
## Quick Look Design Procedure

The MAX260, MAX261, and MAX262, with Maxim's filter design software, greatly simplify the design procedures for many active filters. Most designs can be realized using a three-step process described in this section. If the design software is not used, or if the filter complexity is beyond the scope of this section, refer to the remainder of this data sheet for more detailed applications and design information.

# Microprocessor Programmable Universal Active Filters

```

100  AB$ = "FILTER A" : GOSUB 150 : REM GET DATA FOR SECTION A
110  ADD = 0 : GOSUB 220 : REM WRITE DATA TO THE PRINTER PORT
120  AB$ = "FILTER B" : GOSUB 150 : REM GET DATA FOR B
130  ADD = 32 : GOSUB 220 : REM WRITE DATA TO PRINTER PORT
140  GOTO 100
150  PRINT "MODE (1 to 4, see Table 5) "; AB$; : INPUT M
160  IF M<1 OR M>4 THEN GOTO 150
170  PRINT "CLOCK RATIO (0 to 63, N of Table 2) "; AB$; : INPUT F
180  IF F<0 OR F>63 THEN GOTO 170
190  PRINT "Q (0 to 127, N of Table 3) "; AB$; : INPUT Q
200  IF Q<0 OR Q>127 THEN GOTO 190 ELSE : PRINT
210  RETURN
220  LPRINT CHR$(ADD+M-1); : ADD = ADD+4
230  FOR I = 1 TO 3
240  X = (ADD + (F - 4*INT(F/4))) : LPRINT CHR$(X);
250  F=INT(F/4) : ADD = ADD + 4
260  NEXT I
270  FOR I = 1 TO 4
280  X=(ADD + (Q - 4*INT(Q/4))) : LPRINT CHR$(X);
290  Q=I(Q/4) :: ADD = ADD + 4
300  NEXT I
310  RETURN
    
```



\*PIN NUMBERS IN ( ) ARE FOR MAX261/MAX262

Figure 2. Basic Program and Hardware Connections to Parallel Printer Port for "Quick Look" Using a PC

### Step 1—Filter Design

Start with the program "PZ" to determine what type of filter is needed. This helps determine the type (Butterworth, Chebyshev, etc.) and the number of poles for the optimum choice. The program also plots the fre-

quency response and calculates the pole/zero ( $f_0$ ) and Q values for each second-order section. Each MAX260/MAX261/MAX262 contains two second-order sections, and devices can be cascaded for higher order filters.



# Microprocessor Programmable Universal Active Filters

## Step 2—Generate Programming Coefficients

Starting with the  $f_0$  and Q values obtained in Step 1, use the program "MPP" to generate the digital coefficients that program each second-order section's  $f_0$  and Q. The program displays values for "N" ("N = \_ for  $f_0$ " and "N = \_ for Q"). N is the decimal equivalent of the binary code that sets the filter section's  $f_0$  or Q. These are the same "N"s that are listed in Tables 2 and 3.

An input clock frequency and filter mode must also be selected in this step; however, if a specific-clock rate is not selected, "GEN" picks one. With regard to mode selection, mode 1 is the most convenient choice for most bandpass and lowpass filters. Exceptions are elliptic bandpass and lowpass filters, which require mode 3. Highpass filters also use mode 3, while allpass filters use mode 4. For further information regarding these filter modes, see the *Filter Operating Modes* section.

## Step 3—Loading the Filter

When the N values for the  $f_0$  and Q of each second-order filter section are determined, the filter can then be programmed and operated. What follows is a convenient method of programming the filter and evaluating a design if a PC is available.

A short BASIC program loads data into the MAX260/MAX261/MAX262 through the PC's parallel printer port. The program asks for the filter mode, as well as the N values for the  $f_0$  and Q of each section. These coefficients are then loaded into the filter in the form of ASCII characters. This program can be used with or without Maxim's other filter design software. The program and the appropriate hardware connections for a Centronics-type printer port are shown in Figure 2.

## Filter Design Software

Maxim provides software programs to help speed the transition from frequency response design requirements to working hardware. A series of programs are available, including:

**Program PZ.** Given the requirements, such as center frequency, Q, passband ripple, and stopband attenuation, PZ calculates the pole frequencies, Q's, zeros, and the number of stages needed.

**Program MPP.** For programmed filters, MPP computes the input codes to use and describes the expected performance of the design.

**Program FR.** When a design of one or more stages is completed, FR checks the final cascaded assembly. The output frequency response can be compared with that expected from PZ.

**Program PR.BAS** Allows a MAX260/MAX261/MAX262 to be programmed through a personal computer. The mode,  $f_0$ , and Q of each section are typed in, and the proper codes are sent to the filter through the computer's parallel printer port. This program is also provided in Figure 2.

Other design programs are also included for use with other Maxim filter products.

## Other Filter Products

Maxim has developed a number of other filter products in addition to the MAX260, MAX261, and MAX262.

**PIN-PROGRAMMABLE ACTIVE FILTERS**—A dual second-order universal filter that needs no external components. A microprocessor interface is not required.

**MAX263** 0.4Hz to 30kHz  $f_0$  range

**MAX264** 1Hz to 75kHz  $f_0$  range

**RESISTOR AND PIN-PROGRAMMABLE FILTERS**—A dual second-order universal filter where  $f_0$  adjustment beyond pin-programmable resolution employs external resistors.

**MAX265** 0.4Hz to 30kHz  $f_0$  range. Includes two uncommitted op amps.

**MAX266** 1Hz to 75kHz  $f_0$  range. Includes two uncommitted op amps.

**MF10** Industry Standard, Resistor Programmed Only

**PIN-PROGRAMMABLE BANDPASS FILTERS**—A dual second-order bandpass that needs no external components. A microprocessor interface is not required.

**MAX267** 0.4Hz to 30kHz  $f_0$  range

**MAX268** 1Hz to 75kHz  $f_0$  range

**PROGRAMMABLE ANTI-ALIAS FILTER**—A programmable dual second-order continuous (not switched) lowpass filter. No clock noise is generated. Designed for use as an anti-alias filter in front of, or as a smoothing filter following, any sampled filter or system.

**MAX270** 1kHz to 25kHz Cutoff Frequency Range

**5th-ORDER LOW PASS FILTER**—Features zero offset and drift errors for designs requiring high DC accuracy.

**MAX280, LT1062** 0.1Hz to 20kHz Cutoff Frequency Range

# Microprocessor Programmable Universal Active Filters

**Table 1. Typical Clock and Center Frequency Limits**

| PART   | Q      | MODE | f <sub>CLK</sub> | f <sub>0</sub> |              |
|--------|--------|------|------------------|----------------|--------------|
| MAX260 | 1      | 1    | 1Hz–400kHz       | 0.01Hz–4.0kHz  |              |
|        | 1      | 2    | 1Hz–425kHz       | 0.01Hz–6.0kHz  |              |
|        | 1      | 3    | 1Hz–500kHz       | 0.01Hz–5.0kHz  |              |
|        | 1      | 4    | 1Hz–400kHz       | 0.01Hz–4.0kHz  |              |
|        | 8      | 1    | 1Hz–500kHz       | 0.01Hz–5.0kHz  |              |
|        | 8      | 2    | 1Hz–700kHz       | 0.01Hz–10.0kHz |              |
|        | 8      | 3    | 1Hz–700kHz       | 0.01Hz–5.0kHz  |              |
|        | 8      | 4    | 1Hz–600kHz       | 0.01Hz–4.0kHz  |              |
|        | 64     | 1    | 1Hz–750kHz       | 0.01Hz–7.5kHz  |              |
|        | 90     | 2    | 1Hz–500kHz       | 0.01Hz–7.0kHz  |              |
|        | 64     | 3    | 1Hz–400kHz       | 0.01Hz–4.0kHz  |              |
|        | 64     | 4    | 1Hz–750kHz       | 0.01Hz–7.5kHz  |              |
| MAX261 | 1      | 1    | 40Hz–4.0MHz      | 0.4Hz–40kHz    |              |
|        | 1      | 2    | 40Hz–4.0MHz      | 0.5Hz–57kHz    |              |
|        | 1      | 3    | 40Hz–4.0MHz      | 0.4Hz–40kHz    |              |
|        | 1      | 4    | 40Hz–4.0MHz      | 0.4Hz–40kHz    |              |
|        | 8      | 1    | 40Hz–2.7MHz      | 0.4Hz–27kHz    |              |
|        | 8      | 2    | 40Hz–2.1MHz      | 0.5Hz–30kHz    |              |
| MAX261 | 8      | 3    | 40Hz–1.7MHz      | 0.4Hz–17kHz    |              |
|        | 8      | 4    | 40Hz–2.7MHz      | 0.4Hz–27kHz    |              |
|        | 64     | 1    | 40Hz–2.0MHz      | 0.4Hz–20kHz    |              |
|        | 90     | 2    | 40Hz–1.2MHz      | 0.4Hz–18kHz    |              |
|        | 64     | 3    | 40Hz–1.2MHz      | 0.4Hz–12kHz    |              |
|        | 64     | 4    | 40Hz–2.0MHz      | 0.4Hz–20kHz    |              |
|        | MAX262 | 1    | 1                | 40Hz–4.0MHz    | 1.0Hz–100kHz |
|        |        | 1    | 2                | 40Hz–4.0MHz    | 1.4Hz–140kHz |
|        |        | 1    | 3                | 40Hz–4.0MHz    | 1.0Hz–100kHz |
|        |        | 1    | 4                | 40Hz–4.0MHz    | 1.0Hz–100kHz |
|        |        | 8    | 1                | 40Hz–2.5MHz    | 1.0Hz–60kHz  |
|        |        | 6    | 2                | 40Hz–1.4MHz    | 1.4Hz–50kHz  |
| 8      |        | 3    | 40Hz–1.4MHz      | 1.0Hz–35kHz    |              |
| 8      |        | 4    | 40Hz–2.5MHz      | 1.0Hz–60kHz    |              |
| 64     |        | 1    | 40Hz–1.5MHz      | 1.0Hz–37kHz    |              |
| 90     |        | 2    | 40Hz–0.9MHz      | 1.4Hz–32kHz    |              |
| 64     |        | 3    | 40Hz–0.9MHz      | 1.0Hz–22kHz    |              |
| 64     |        | 4    | 40Hz–1.5MHz      | 1.0Hz–37kHz    |              |



Figure 3. MAX260/MAX261/MAX262 Block Diagram

# Microprocessor Programmable Universal Active Filters

**MAX260/MAX261/MAX262**

**Table 2. fCLK/f<sub>0</sub> Program Selection Table**

| fCLK/f <sub>0</sub> RATIO |        |             |        | PROGRAM CODE |    |    |    |    |    |    |
|---------------------------|--------|-------------|--------|--------------|----|----|----|----|----|----|
| MAX260/MAX261             |        | MAX262      |        | N            | F5 | F4 | F3 | F2 | F1 | F0 |
| MODES 1,3,4               | MODE 2 | MODES 1,3,4 | MODE 2 |              |    |    |    |    |    |    |
| 100.53                    | 71.09  | 40.84       | 28.88  | 0            | 0  | 0  | 0  | 0  | 0  | 0  |
| 102.10                    | 72.20  | 42.41       | 29.99  | 1            | 0  | 0  | 0  | 0  | 0  | 1  |
| 103.67                    | 73.31  | 43.98       | 31.10  | 2            | 0  | 0  | 0  | 0  | 1  | 0  |
| 105.24                    | 74.42  | 45.55       | 32.21  | 3            | 0  | 0  | 0  | 0  | 1  | 1  |
| 106.81                    | 75.53  | 47.12       | 33.32  | 4            | 0  | 0  | 0  | 1  | 0  | 0  |
| 108.38                    | 76.64  | 48.69       | 34.43  | 5            | 0  | 0  | 0  | 1  | 0  | 1  |
| 109.96                    | 77.75  | 50.27       | 35.54  | 6            | 0  | 0  | 0  | 1  | 1  | 0  |
| 111.53                    | 78.86  | 51.84       | 36.65  | 7            | 0  | 0  | 0  | 1  | 1  | 1  |
| 113.10                    | 79.97  | 53.41       | 37.76  | 8            | 0  | 0  | 1  | 0  | 0  | 0  |
| 114.67                    | 81.08  | 54.98       | 38.87  | 9            | 0  | 0  | 1  | 0  | 0  | 1  |
| 116.24                    | 82.19  | 56.55       | 39.99  | 10           | 0  | 0  | 1  | 0  | 1  | 0  |
| 117.81                    | 83.30  | 58.12       | 41.10  | 11           | 0  | 0  | 1  | 0  | 1  | 1  |
| 119.38                    | 84.42  | 59.69       | 42.21  | 12           | 0  | 0  | 1  | 1  | 0  | 0  |
| 120.95                    | 85.53  | 61.26       | 43.32  | 13           | 0  | 0  | 1  | 1  | 0  | 1  |
| 122.52                    | 86.64  | 62.83       | 44.43  | 14           | 0  | 0  | 1  | 1  | 1  | 0  |
| 124.09                    | 87.75  | 64.40       | 45.54  | 15           | 0  | 0  | 1  | 1  | 1  | 1  |
| 125.66                    | 88.86  | 65.97       | 46.65  | 16           | 0  | 1  | 0  | 0  | 0  | 0  |
| 127.23                    | 89.97  | 67.54       | 47.76  | 17           | 0  | 1  | 0  | 0  | 0  | 1  |
| 128.81                    | 91.08  | 69.12       | 48.87  | 18           | 0  | 1  | 0  | 0  | 1  | 0  |
| 130.38                    | 92.19  | 70.69       | 49.98  | 19           | 0  | 1  | 0  | 0  | 1  | 1  |
| 131.95                    | 93.30  | 72.26       | 51.10  | 20           | 0  | 1  | 0  | 1  | 0  | 0  |
| 133.52                    | 94.41  | 73.83       | 52.20  | 21           | 0  | 1  | 0  | 1  | 0  | 1  |
| 135.08                    | 95.52  | 75.40       | 53.31  | 22           | 0  | 1  | 0  | 1  | 1  | 0  |
| 136.66                    | 96.63  | 76.97       | 54.43  | 23           | 0  | 1  | 0  | 1  | 1  | 1  |
| 138.23                    | 97.74  | 78.53       | 55.54  | 24           | 0  | 1  | 1  | 0  | 0  | 0  |
| 139.80                    | 98.86  | 80.11       | 56.65  | 25           | 0  | 1  | 1  | 0  | 0  | 1  |
| 141.37                    | 99.97  | 81.68       | 57.76  | 26           | 0  | 1  | 1  | 0  | 1  | 0  |
| 142.94                    | 101.08 | 83.25       | 58.87  | 27           | 0  | 1  | 1  | 0  | 1  | 1  |
| 144.51                    | 102.19 | 84.82       | 59.98  | 28           | 0  | 1  | 1  | 1  | 0  | 0  |
| 146.08                    | 103.30 | 86.39       | 61.09  | 29           | 0  | 1  | 1  | 1  | 0  | 1  |
| 147.65                    | 104.41 | 87.96       | 62.20  | 30           | 0  | 1  | 1  | 1  | 1  | 0  |
| 149.23                    | 105.52 | 89.54       | 63.31  | 31           | 0  | 1  | 1  | 1  | 1  | 1  |
| 150.80                    | 106.63 | 91.11       | 64.42  | 32           | 1  | 0  | 0  | 0  | 0  | 0  |
| 152.37                    | 107.74 | 92.68       | 65.53  | 33           | 1  | 0  | 0  | 0  | 0  | 1  |
| 153.94                    | 108.85 | 94.25       | 66.64  | 34           | 1  | 0  | 0  | 0  | 1  | 0  |
| 155.51                    | 109.96 | 95.82       | 67.75  | 35           | 1  | 0  | 0  | 0  | 1  | 1  |
| 157.08                    | 111.07 | 97.39       | 68.86  | 36           | 1  | 0  | 0  | 1  | 0  | 0  |
| 158.65                    | 112.18 | 98.96       | 69.97  | 37           | 1  | 0  | 0  | 1  | 0  | 1  |
| 160.22                    | 113.29 | 100.53      | 71.09  | 38           | 1  | 0  | 0  | 1  | 1  | 0  |
| 161.79                    | 114.41 | 102.10      | 72.20  | 39           | 1  | 0  | 0  | 1  | 1  | 1  |
| 163.36                    | 115.52 | 102.67      | 73.31  | 40           | 1  | 0  | 1  | 0  | 0  | 0  |
| 164.93                    | 116.63 | 105.24      | 74.42  | 41           | 1  | 0  | 1  | 0  | 0  | 1  |
| 166.50                    | 117.74 | 106.81      | 75.53  | 42           | 1  | 0  | 1  | 0  | 1  | 0  |
| 168.08                    | 118.85 | 108.38      | 76.64  | 43           | 1  | 0  | 1  | 0  | 1  | 1  |
| 169.65                    | 119.96 | 109.96      | 77.75  | 44           | 1  | 0  | 1  | 1  | 0  | 0  |
| 171.22                    | 121.07 | 111.53      | 78.86  | 45           | 1  | 0  | 1  | 1  | 0  | 1  |

# Microprocessor Programmable Universal Active Filters

Table 2.  $f_{CLK}/f_0$  Program Selection Table (continued)

| $f_{CLK}/f_0$ RATIO |        |             |        | PROGRAM CODE |    |    |    |    |    |    |
|---------------------|--------|-------------|--------|--------------|----|----|----|----|----|----|
| MAX260/MAX261       |        | MAX262      |        | N            | F5 | F4 | F3 | F2 | F1 | F0 |
| MODES 1,3,4         | MODE 2 | MODES 1,3,4 | MODE 2 |              |    |    |    |    |    |    |
| 172.79              | 122.18 | 113.10      | 79.97  | 46           | 1  | 0  | 1  | 1  | 1  | 0  |
| 174.36              | 123.29 | 114.66      | 81.08  | 47           | 1  | 0  | 1  | 1  | 1  | 1  |
| 175.93              | 124.40 | 116.24      | 82.19  | 48           | 1  | 1  | 0  | 0  | 0  | 0  |
| 177.50              | 125.51 | 117.81      | 83.30  | 49           | 1  | 1  | 0  | 0  | 0  | 1  |
| 179.07              | 126.62 | 119.38      | 84.41  | 50           | 1  | 1  | 0  | 0  | 1  | 0  |
| 180.64              | 127.73 | 120.95      | 85.53  | 51           | 1  | 1  | 0  | 0  | 1  | 1  |
| 182.21              | 128.84 | 122.52      | 86.64  | 52           | 1  | 1  | 0  | 1  | 0  | 0  |
| 183.78              | 129.96 | 124.09      | 87.75  | 53           | 1  | 1  | 0  | 1  | 0  | 1  |
| 185.35              | 131.07 | 125.66      | 88.86  | 54           | 1  | 1  | 0  | 1  | 1  | 0  |
| 186.92              | 132.18 | 127.23      | 89.97  | 55           | 1  | 1  | 0  | 1  | 1  | 1  |
| 188.49              | 133.29 | 128.81      | 91.08  | 56           | 1  | 1  | 1  | 0  | 0  | 0  |
| 190.07              | 134.40 | 130.38      | 92.19  | 57           | 1  | 1  | 1  | 0  | 0  | 1  |
| 191.64              | 135.51 | 131.95      | 93.30  | 58           | 1  | 1  | 1  | 0  | 1  | 0  |
| 193.21              | 136.62 | 133.52      | 94.41  | 59           | 1  | 1  | 1  | 0  | 1  | 1  |
| 194.78              | 137.73 | 135.09      | 95.52  | 60           | 1  | 1  | 1  | 1  | 0  | 0  |
| 196.35              | 138.84 | 136.66      | 96.63  | 61           | 1  | 1  | 1  | 1  | 0  | 1  |
| 197.92              | 139.95 | 138.23      | 97.74  | 62           | 1  | 1  | 1  | 1  | 1  | 0  |
| 199.49              | 141.06 | 139.80      | 98.85  | 63           | 1  | 1  | 1  | 1  | 1  | 1  |

**Note 1:** For the MAX260/MAX261,  $f_{CLK}/f_0 = (64 + N)\pi / 2$  in modes 1, 3, and 4, where N varies from 0 to 63.

**Note 2:** For the MAX262,  $f_{CLK}/f_0 = (26 + N)\pi / 2$  in modes 1, 3, and 4, where N varies 0 to 63.

**Note 3:** In mode 2, all  $f_{CLK}/f_0$  ratios are divided by  $\sqrt{2}$ . The functions are then:

$$\text{MAX260/MAX261 } f_{CLK}/f_0 = 1.11072 (64 + N), \text{ MAX262 } f_{CLK}/f_0 = 1.11072 (26 + N)$$

## Detailed Description

### $f_0$ and Q Programming

Figure 3 shows a block diagram of the MAX260. Each second-order filter section has its own clock input and independent  $f_0$  and Q control. The actual center frequency is a function of the filter's clock rate, 6-bit  $f_0$  control word (see Table 2), and operating mode. The Q of each section is also set by a separate programmed input (see Table 3). This way, each half of a MAX260/MAX261/MAX262 is tuned independently so that complex filter polynomials can be realized. Equations that convert program code numbers to  $f_{CLK}/f_0$  and Q values are listed in the notes beneath Tables 2 and 3.

### Oscillator and Clock Inputs

The clock circuitry of the MAX260/MAX261/MAX262 can operate with a crystal, resistor-capacitor (RC) network, or an external clock generator as shown in Figure 4. If an RC oscillator is used, the clock rate,  $f_{CLK}$ , nominally equals  $0.45/RC$ .

The duty cycle of the clock at  $CLK_A$  and  $CLK_B$  is unimportant because the input is internally divided by 2 to generate the sampling clock for each filter section. It is important to note that this internal division also halves the sample rate when considering aliasing and other sampled system phenomenon.

### Microprocessor Interface

$f_0$ , Q, and mode-selection data are stored in internal program memory. The memory contents are updated by writing to addresses selected by A0–A3, D0, and D1 are the data inputs. A map of the memory locations is shown in Table 4. Data is stored in the selected address on the rising edge of WR. Address and data inputs are TTL and CMOS compatible when the filter is powered from  $\pm 5V$ . With other power supply voltages, CMOS logic levels should be used. Interface timing is shown in Figure 5. **Note:** Clock inputs  $CLK_A$  and  $CLK_B$  have no relation to the digital interface. They control the switched-capacitor filter sample rate only.

Some noise may be generated on the filter outputs by transitions at the logic inputs. If this is objectionable,

# Microprocessor Programmable Universal Active Filters

MAX260/MAX261/MAX262

**Table 3. Q Program Selection Table**

| PROGRAMMED Q |        | PROGRAM CODE |    |    |    |    |    |    |    |
|--------------|--------|--------------|----|----|----|----|----|----|----|
| MODES 1,3,4  | MODE 2 | N            | Q6 | Q5 | Q4 | Q3 | Q2 | Q1 | Q0 |
| 0.500*       | 0.707* | 0*           | 0  | 0  | 0  | 0  | 0  | 0  | 0  |
| 0.504        | 0.713  | 1            | 0  | 0  | 0  | 0  | 0  | 0  | 1  |
| 0.508        | 0.718  | 2            | 0  | 0  | 0  | 0  | 0  | 1  | 0  |
| 0.512        | 0.724  | 3            | 0  | 0  | 0  | 0  | 0  | 1  | 1  |
| 0.516        | 0.730  | 4            | 0  | 0  | 0  | 0  | 1  | 0  | 0  |
| 0.520        | 0.736  | 5            | 0  | 0  | 0  | 0  | 1  | 0  | 1  |
| 0.525        | 0.742  | 6            | 0  | 0  | 0  | 0  | 1  | 1  | 0  |
| 0.529        | 0.748  | 7            | 0  | 0  | 0  | 0  | 1  | 1  | 1  |
| 0.533        | 0.754  | 8            | 0  | 0  | 0  | 1  | 0  | 0  | 0  |
| 0.538        | 0.761  | 9            | 0  | 0  | 0  | 1  | 0  | 0  | 1  |
| 0.542        | 0.767  | 10           | 0  | 0  | 0  | 1  | 0  | 1  | 0  |
| 0.547        | 0.774  | 11           | 0  | 0  | 0  | 1  | 0  | 1  | 1  |
| 0.552        | 0.780  | 12           | 0  | 0  | 0  | 1  | 1  | 0  | 0  |
| 0.556        | 0.787  | 13           | 0  | 0  | 0  | 1  | 1  | 0  | 1  |
| 0.561        | 0.794  | 14           | 0  | 0  | 0  | 1  | 1  | 1  | 0  |
| 0.566        | 0.801  | 15           | 0  | 0  | 0  | 1  | 1  | 1  | 1  |
| 0.571        | 0.808  | 16           | 0  | 0  | 1  | 0  | 0  | 0  | 0  |
| 0.577        | 0.815  | 17           | 0  | 0  | 1  | 0  | 0  | 0  | 1  |
| 0.582        | 0.823  | 18           | 0  | 0  | 1  | 0  | 0  | 1  | 0  |
| 0.587        | 0.830  | 19           | 0  | 0  | 1  | 0  | 0  | 1  | 1  |
| 0.593        | 0.838  | 20           | 0  | 0  | 1  | 0  | 1  | 0  | 0  |
| 0.598        | 0.646  | 21           | 0  | 0  | 1  | 0  | 1  | 0  | 1  |
| 0.604        | 0.854  | 22           | 0  | 0  | 1  | 0  | 1  | 1  | 0  |
| 0.609        | 0.862  | 23           | 0  | 0  | 1  | 0  | 1  | 1  | 1  |

| PROGRAMMED Q |        | PROGRAM CODE |    |    |    |    |    |    |    |
|--------------|--------|--------------|----|----|----|----|----|----|----|
| MODES 1,3,4  | MODE 2 | N            | Q6 | Q5 | Q4 | Q3 | Q2 | Q1 | Q0 |
| 0.615        | 0.870  | 24           | 0  | 0  | 1  | 1  | 0  | 0  | 0  |
| 0.621        | 0.879  | 25           | 0  | 0  | 1  | 1  | 0  | 0  | 1  |
| 0.627        | 0.887  | 26           | 0  | 0  | 1  | 1  | 0  | 1  | 0  |
| 0.634        | 0.896  | 27           | 0  | 0  | 1  | 1  | 0  | 1  | 1  |
| 0.640        | 0.905  | 28           | 0  | 0  | 1  | 1  | 1  | 0  | 0  |
| 0.646        | 0.914  | 29           | 0  | 0  | 1  | 1  | 1  | 0  | 1  |
| 0.653        | 0.924  | 30           | 0  | 0  | 1  | 1  | 1  | 1  | 0  |
| 0.660        | 0.933  | 31           | 0  | 0  | 1  | 1  | 1  | 1  | 1  |
| 0.667        | 0.943  | 32           | 0  | 1  | 0  | 0  | 0  | 0  | 0  |
| 0.674        | 0.953  | 33           | 0  | 1  | 0  | 0  | 0  | 0  | 1  |
| 0.681        | 0.963  | 34           | 0  | 1  | 0  | 0  | 0  | 1  | 0  |
| 0.688        | 0.973  | 35           | 0  | 1  | 0  | 0  | 0  | 1  | 1  |
| 0.696        | 0.984  | 36           | 0  | 1  | 0  | 0  | 1  | 0  | 0  |
| 0.703        | 0.995  | 37           | 0  | 1  | 0  | 0  | 1  | 0  | 1  |
| 0.711        | 1.01   | 38           | 0  | 1  | 0  | 0  | 1  | 1  | 0  |
| 0.719        | 1.02   | 39           | 0  | 1  | 0  | 0  | 1  | 1  | 1  |
| 0.727        | 1.03   | 40           | 0  | 1  | 0  | 1  | 0  | 0  | 0  |
| 0.736        | 1.04   | 41           | 0  | 1  | 0  | 1  | 0  | 0  | 1  |
| 0.744        | 1.05   | 42           | 0  | 1  | 0  | 1  | 0  | 1  | 0  |
| 0.753        | 1.06   | 43           | 0  | 1  | 0  | 1  | 0  | 1  | 1  |
| 0.762        | 1.08   | 44           | 0  | 1  | 0  | 1  | 1  | 0  | 0  |
| 0.771        | 1.09   | 45           | 0  | 1  | 0  | 1  | 1  | 0  | 1  |
| 0.780        | 1.10   | 46           | 0  | 1  | 0  | 1  | 1  | 1  | 0  |
| 0.790        | 1.12   | 47           | 0  | 1  | 0  | 1  | 1  | 1  | 1  |

**Note 4:** \* Writing all 0s into Q0A–Q6A on Filter A activates a low-power shutdown mode. BOTH filter sections are deactivated. Therefore, this Q value is only achievable in filter B.

# Microprocessor Programmable Universal Active Filters

**Table 3. Q Program Selection Table (continued)**

| PROGRAMMED Q   |           | PROGRAM CODE |    |    |    |    |    |    |    |
|----------------|-----------|--------------|----|----|----|----|----|----|----|
| MODES<br>1,3,4 | MODE<br>2 | N            | Q6 | Q5 | Q4 | Q3 | Q2 | Q1 | Q0 |
| 0.800          | 1.13      | 48           | 0  | 1  | 1  | 0  | 0  | 0  | 0  |
| 0.810          | 1.15      | 49           | 0  | 1  | 1  | 0  | 0  | 0  | 1  |
| 0.821          | 1.16      | 50           | 0  | 1  | 1  | 0  | 0  | 1  | 0  |
| 0.831          | 1.18      | 51           | 0  | 1  | 1  | 0  | 0  | 1  | 1  |
| 0.842          | 1.19      | 52           | 0  | 1  | 1  | 0  | 1  | 0  | 0  |
| 0.853          | 1.21      | 53           | 0  | 1  | 1  | 0  | 1  | 0  | 1  |
| 0.865          | 1.22      | 54           | 0  | 1  | 1  | 0  | 1  | 1  | 0  |
| 0.877          | 1.24      | 55           | 0  | 1  | 1  | 0  | 1  | 1  | 1  |
| 0.889          | 1.26      | 56           | 0  | 1  | 1  | 1  | 0  | 0  | 0  |
| 0.901          | 1.27      | 57           | 0  | 1  | 1  | 1  | 0  | 0  | 1  |
| 0.914          | 1.29      | 58           | 0  | 1  | 1  | 1  | 0  | 1  | 0  |
| 0.928          | 1.31      | 59           | 0  | 1  | 1  | 1  | 0  | 1  | 1  |
| 0.941          | 1.33      | 60           | 0  | 1  | 1  | 1  | 1  | 0  | 0  |
| 0.955          | 1.35      | 61           | 0  | 1  | 1  | 1  | 1  | 0  | 1  |
| 0.969          | 1.37      | 62           | 0  | 1  | 1  | 1  | 1  | 1  | 0  |
| 0.985          | 1.39      | 63           | 0  | 1  | 1  | 1  | 1  | 1  | 1  |
| 1.00           | 1.41      | 64           | 1  | 0  | 0  | 0  | 0  | 0  | 0  |
| 1.02           | 1.44      | 65           | 1  | 0  | 0  | 0  | 0  | 0  | 1  |
| 1.03           | 1.46      | 66           | 1  | 0  | 0  | 0  | 0  | 1  | 0  |
| 1.05           | 1.48      | 67           | 1  | 0  | 0  | 0  | 0  | 1  | 1  |
| 1.07           | 1.51      | 68           | 1  | 0  | 0  | 0  | 1  | 0  | 0  |
| 1.08           | 1.53      | 69           | 1  | 0  | 0  | 0  | 1  | 0  | 1  |
| 1.10           | 1.56      | 70           | 1  | 0  | 0  | 0  | 1  | 1  | 0  |
| 1.12           | 1.59      | 71           | 1  | 0  | 0  | 0  | 1  | 1  | 1  |
| 1.14           | 1.62      | 72           | 1  | 0  | 0  | 1  | 0  | 0  | 0  |
| 1.16           | 1.65      | 73           | 1  | 0  | 0  | 1  | 0  | 0  | 1  |
| 1.19           | 1.68      | 74           | 1  | 0  | 0  | 1  | 0  | 1  | 0  |
| 1.21           | 1.71      | 75           | 1  | 0  | 0  | 1  | 0  | 1  | 1  |
| 1.23           | 1.74      | 76           | 1  | 0  | 0  | 1  | 1  | 0  | 0  |
| 1.25           | 1.77      | 77           | 1  | 0  | 0  | 1  | 1  | 0  | 1  |
| 1.28           | 1.81      | 78           | 1  | 0  | 0  | 1  | 1  | 1  | 0  |
| 1.31           | 1.85      | 79           | 1  | 0  | 0  | 1  | 1  | 1  | 1  |
| 1.33           | 1.89      | 80           | 1  | 0  | 1  | 0  | 0  | 0  | 0  |
| 1.36           | 1.93      | 81           | 1  | 0  | 1  | 0  | 0  | 0  | 1  |
| 1.39           | 1.97      | 82           | 1  | 0  | 1  | 0  | 0  | 1  | 0  |
| 1.42           | 2.01      | 83           | 1  | 0  | 1  | 0  | 0  | 1  | 1  |
| 1.45           | 2.06      | 84           | 1  | 0  | 1  | 0  | 1  | 0  | 0  |
| 1.49           | 2.10      | 85           | 1  | 0  | 1  | 0  | 1  | 0  | 1  |
| 1.52           | 2.16      | 86           | 1  | 0  | 1  | 0  | 1  | 1  | 0  |
| 1.56           | 2.21      | 87           | 1  | 0  | 1  | 0  | 1  | 1  | 1  |

| PROGRAMMED Q   |           | PROGRAM CODE |    |    |    |    |    |    |    |
|----------------|-----------|--------------|----|----|----|----|----|----|----|
| MODES<br>1,3,4 | MODE<br>2 | N            | Q6 | Q5 | Q4 | Q3 | Q2 | Q1 | Q0 |
| 1.60           | 2.26      | 88           | 1  | 0  | 1  | 1  | 0  | 0  | 0  |
| 1.64           | 2.32      | 89           | 1  | 0  | 1  | 1  | 0  | 0  | 1  |
| 1.68           | 2.40      | 90           | 1  | 0  | 1  | 1  | 0  | 1  | 0  |
| 1.73           | 2.45      | 91           | 1  | 0  | 1  | 1  | 0  | 1  | 1  |
| 1.78           | 2.51      | 92           | 1  | 0  | 1  | 1  | 1  | 0  | 0  |
| 1.83           | 2.59      | 93           | 1  | 0  | 1  | 1  | 1  | 0  | 1  |
| 1.88           | 2.66      | 94           | 1  | 0  | 1  | 1  | 1  | 1  | 0  |
| 1.94           | 2.74      | 95           | 1  | 0  | 1  | 1  | 1  | 1  | 1  |
| 2.00           | 2.83      | 96           | 1  | 1  | 0  | 0  | 0  | 0  | 0  |
| 2.06           | 2.92      | 97           | 1  | 1  | 0  | 0  | 0  | 0  | 1  |
| 2.13           | 3.02      | 98           | 1  | 1  | 0  | 0  | 0  | 1  | 0  |
| 2.21           | 3.12      | 99           | 1  | 1  | 0  | 0  | 0  | 1  | 1  |
| 2.29           | 3.23      | 100          | 1  | 1  | 0  | 0  | 1  | 0  | 0  |
| 2.37           | 3.35      | 101          | 1  | 1  | 0  | 0  | 1  | 0  | 1  |
| 2.46           | 3.48      | 102          | 1  | 1  | 0  | 0  | 1  | 1  | 0  |
| 2.56           | 3.62      | 103          | 1  | 1  | 0  | 0  | 1  | 1  | 1  |
| 2.67           | 3.77      | 104          | 1  | 1  | 0  | 1  | 0  | 0  | 0  |
| 2.78           | 3.96      | 105          | 1  | 1  | 0  | 1  | 0  | 0  | 1  |
| 2.91           | 4.11      | 106          | 1  | 1  | 0  | 1  | 0  | 1  | 0  |
| 3.05           | 4.31      | 107          | 1  | 1  | 0  | 1  | 0  | 1  | 1  |
| 3.20           | 4.53      | 108          | 1  | 1  | 0  | 1  | 1  | 0  | 0  |
| 3.37           | 4.76      | 109          | 1  | 1  | 0  | 1  | 1  | 0  | 1  |
| 3.56           | 5.03      | 110          | 1  | 1  | 0  | 1  | 1  | 1  | 0  |
| 3.76           | 5.32      | 111          | 1  | 1  | 0  | 1  | 1  | 1  | 1  |
| 4.00           | 5.66      | 112          | 1  | 1  | 1  | 0  | 0  | 0  | 0  |
| 4.27           | 6.03      | 113          | 1  | 1  | 1  | 0  | 0  | 0  | 1  |
| 4.57           | 6.46      | 114          | 1  | 1  | 1  | 0  | 0  | 1  | 0  |
| 4.92           | 6.96      | 115          | 1  | 1  | 1  | 0  | 0  | 1  | 1  |
| 5.33           | 7.54      | 116          | 1  | 1  | 1  | 0  | 1  | 0  | 0  |
| 5.82           | 8.23      | 117          | 1  | 1  | 1  | 0  | 1  | 0  | 1  |
| 6.40           | 9.05      | 118          | 1  | 1  | 1  | 0  | 1  | 1  | 0  |
| 7.11           | 10.1      | 119          | 1  | 1  | 1  | 0  | 1  | 1  | 1  |
| 8.00           | 11.3      | 120          | 1  | 1  | 1  | 1  | 0  | 0  | 0  |
| 9.14           | 12.9      | 121          | 1  | 1  | 1  | 1  | 0  | 0  | 1  |
| 10.7           | 15.1      | 122          | 1  | 1  | 1  | 1  | 0  | 1  | 0  |
| 12.8           | 18.1      | 123          | 1  | 1  | 1  | 1  | 0  | 1  | 1  |
| 16.0           | 22.6      | 124          | 1  | 1  | 1  | 1  | 1  | 0  | 0  |
| 21.3           | 30.2      | 125          | 1  | 1  | 1  | 1  | 1  | 0  | 1  |
| 32.0           | 45.3      | 126          | 1  | 1  | 1  | 1  | 1  | 1  | 0  |
| 64.0           | 90.5      | 127          | 1  | 1  | 1  | 1  | 1  | 1  | 1  |

**Notes** 5) In modes 1, 3, and 4:  $Q = 64 / (128 - N)$

6) In mode 2, the listed Q values are those of mode 1 multiplied by  $\sqrt{2}$ . Then  $Q = 90.51 / (128 - N)$

# Microprocessor Programmable Universal Active Filters

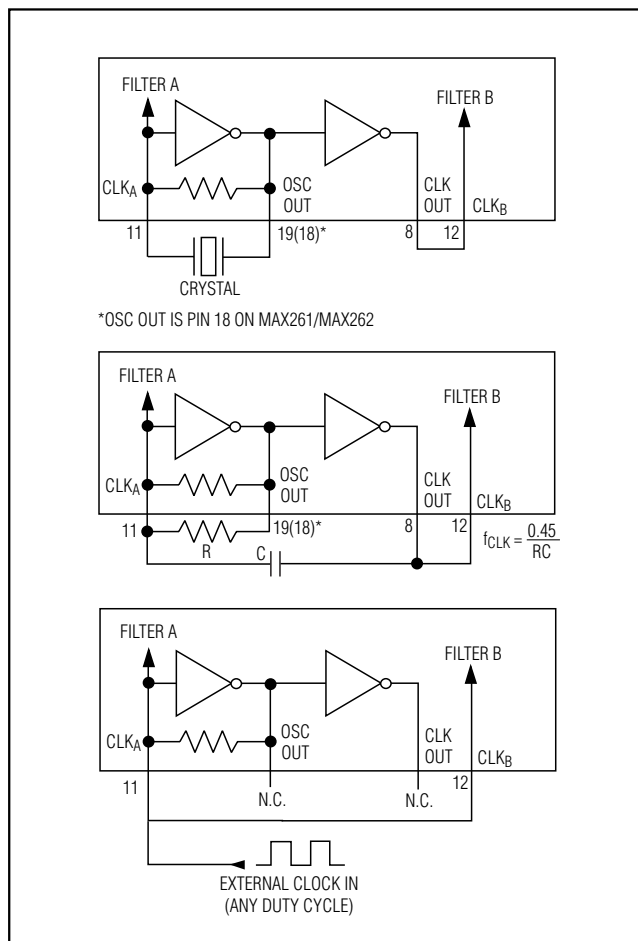


Figure 4. Clock Input Connections

the digital lines should be buffered from the device by logic gates as shown in Figure 6.

### Shutdown Mode

The MAX260/MAX261/MAX262 enters a shutdown/standby mode when all zeroes are written to the Q addresses of filter A (Q0A–Q6A). When shut down, power consumption with  $\pm 5V$  supplies typically drops to 10mW. When reactivating the filter after shutdown, allow 2ms to return to full operation.

### Filter Operating Modes

There are several ways in which the summing amplifier and integrators in each MAX260/MAX261/MAX262 filter section can be configured. The four most versatile interconnections (modes) are selected by writing to

Table 4. Program Address Locations

| DATA BIT        |     | ADDRESS |    |    |    | LOCATION |
|-----------------|-----|---------|----|----|----|----------|
| D0              | D1  | A3      | A2 | A1 | A0 |          |
| <b>FILTER A</b> |     |         |    |    |    |          |
| M0A             | M1A | 0       | 0  | 0  | 0  | 0        |
| F0A             | F1A | 0       | 0  | 0  | 1  | 1        |
| F2A             | F3A | 0       | 0  | 1  | 0  | 2        |
| F4A             | F5A | 0       | 0  | 1  | 1  | 3        |
| Q0A             | Q1A | 0       | 1  | 0  | 0  | 4        |
| Q2A             | Q3A | 0       | 1  | 0  | 1  | 5        |
| Q4A             | Q5A | 0       | 1  | 1  | 0  | 6        |
| Q6A             |     | 0       | 1  | 1  | 1  | 7        |
| <b>FILTER B</b> |     |         |    |    |    |          |
| M0B             | M1B | 1       | 0  | 0  | 0  | 8        |
| F0B             | F1B | 1       | 0  | 0  | 1  | 9        |
| F2B             | F3B | 1       | 0  | 1  | 0  | 10       |
| F4B             | F5B | 1       | 0  | 1  | 1  | 11       |
| Q0B             | Q1B | 1       | 1  | 0  | 0  | 12       |
| Q2B             | Q3B | 1       | 1  | 0  | 1  | 13       |
| Q4B             | Q5B | 1       | 1  | 1  | 0  | 14       |
| Q6B             |     | 1       | 1  | 1  | 1  | 15       |

**Note:** Writing 0 into Q0A–Q6A (address locations 4–7) on filter A activates shutdown mode. BOTH filter sections deactivate.

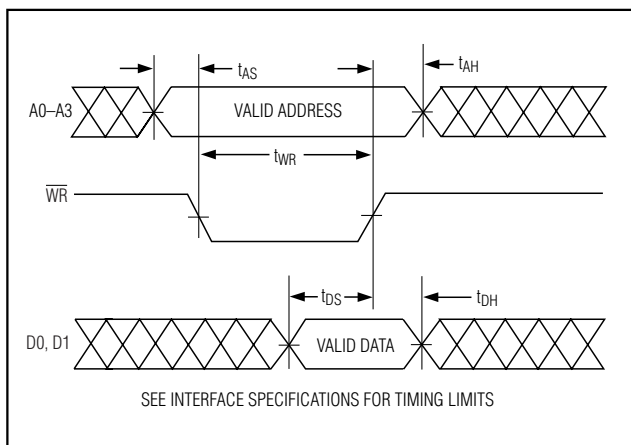


Figure 5. Interface Timing

inputs M0 and M1 (see Tables 4 and 5). These modes use no external components. A fifth mode, 3A, makes use of an additional op amp (included in the MAX261 and MAX262) and external resistors, but uses the same internal configuration and is selected with the same programming code, as mode 3.

# Microprocessor Programmable Universal Active Filters

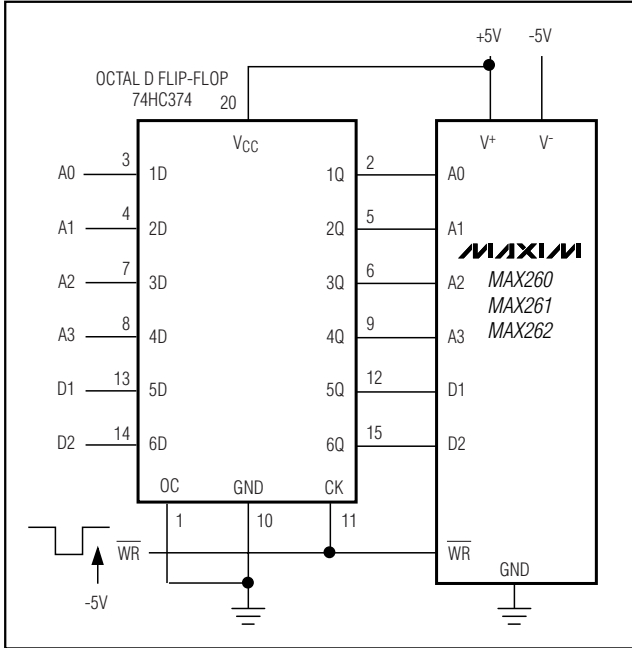


Figure 6. Buffering/Latching Logic Inputs

Figures 7 through 11 show symbolic representations of the MAX260 filter modes. Only one second-order section is shown in each case. The A and B sections of one MAX260/MAX261/MAX262 can be programmed for

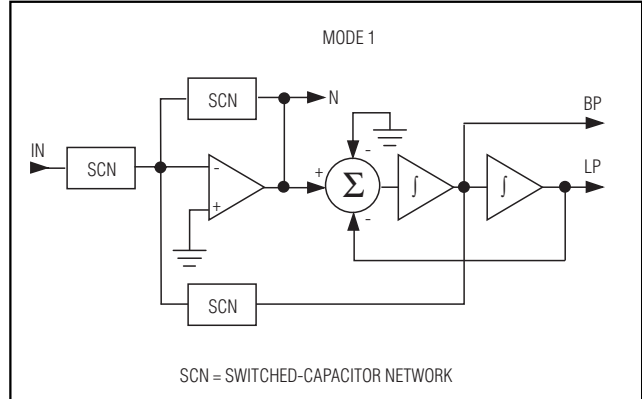


Figure 7. Filter Mode 1: Second-Order Bandpass, Lowpass, and Notch

different modes if desired. The  $f_0$ ,  $f_N$  (notch),  $Q$ , and various output gains in each case are shown in Table 5.

### Filter Mode Selection

**MODE 1** (Figure 7) is useful when implementing allpole lowpass and bandpass filters such as Butterworth, Chebyshev, Basset, etc. It can also be used for notch filters, but only second-order notches because the relative pole and zero locations are fixed. Higher order notch filters require more latitude in  $f_0$  and  $1N$ , which is why they are more easily implemented with mode 3A.

Table 5. Filter Modes for Second-Order Functions

| MODE | M1, M0 | FILTER FUNCTIONS | $f_0$       | Q           | $f_N$                       | H <sub>OLP</sub> | H <sub>OBP</sub> | H <sub>ON1</sub> (f → 0) | H <sub>ON2</sub> (f → f <sub>CLK</sub> /4) | OTHER   |
|------|--------|------------------|-------------|-------------|-----------------------------|------------------|------------------|--------------------------|--|---|
| 1    | 0, 0   | LP, BP, N        | SEE TABLE 2 | SEE TABLE 3 | $f_0$                       | -1               | -Q               | -1                       | -1   |   |
| 2    | 0, 1   | LP, BP, N        |             |             | $f_0\sqrt{2}$               | -0.5             | $-Q/\sqrt{2}$    | -0.5                     | -1   |   |
| 3    | 1, 0   | LP, BP, HP       |             |             |                             | -1               | -Q               |                          |  | HOHP = -1   |
|      |        |                  |             |             | $f_0\sqrt{\frac{R_H}{R_L}}$ | -1               | -Q               | $+\frac{R_G}{R_L}$       | $+\frac{R_G}{R_H}$                         | HOHP = -1   |
| 4    | 1, 1   | LP, BP, AP       |             |             |                             | -2               | -2Q              |                          |  | HOAP = -1<br>f <sub>z</sub> = f <sub>0</sub> , Q <sub>z</sub> = Q |

**Notes:**  $f_0$  = Center Frequency  
 $f_N$  = Notch Frequency  
H<sub>OLP</sub> = Lowpass Gain at DC  
H<sub>OBP</sub> = Bandpass Gain at  $f_0$   
HOHP = Highpass Gain as f approaches f<sub>CLK</sub>/4

H<sub>ON1</sub> = Notch Gain as f approaches DC  
H<sub>ON2</sub> = Notch Gain as f approaches f<sub>CLK</sub>/4  
HOAP = Allpass Gain  
f<sub>z</sub>, Q<sub>z</sub> = f and Q of Complex Pole Pair



# Microprocessor Programmable Universal Active Filters



Figure 8. Filter Mode 2: Second-Order Bandpass, Lowpass, and Notch

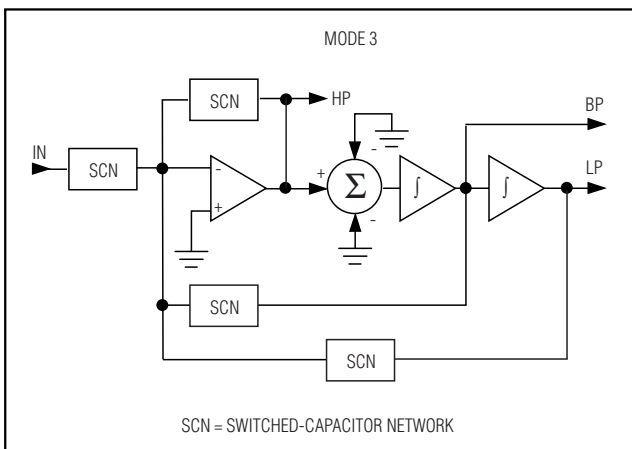


Figure 9. Filter Mode 3: Second-Order Bandpass, Lowpass, and Highpass

Mode 1, along with mode 4, supports the highest clock frequencies (see Table 1) because the input summing amplifier is outside the filter's resonant loop (Figure 7). The gain of the lowpass and notch outputs is 1, while the bandpass gain at the center frequency is  $Q$ . For bandpass gains other than  $Q$ , the filter input or output can be scaled by a resistive divider or op amp.

**MODE 2** (Figure 8) is used for all-pole lowpass and bandpass filters. Key advantages compared to mode 1 are higher available  $Q$ s (see Table 3) and lower output noise. Mode 2's available  $f_{CLK}/f_0$  ratios are  $\sqrt{2}$  less than with mode 1 (see Table 2), so a wider overall range of  $f_0$ s can be selected from a single clock when both modes are used together. This is demonstrated in the Wide Passband Chebyshev Bandpass design example.



Figure 10. Filter Mode 3a: Second-Order Bandpass, Lowpass, Highpass, and Notch. For elliptic LP, BP, HP, and Notch, the  $N$  output is used.

**MODE 3** (Figure 9) is the only mode that produces high-pass filters. The maximum clock frequency is somewhat less than with mode 1 (see Table 1).

**MODE 3A** (Figure 10) uses a separate op amp to sum the highpass and lowpass outputs of mode 3, creating a separate notch output. This output allows the notch to be set independently of  $f_0$  by adjusting the op amp's feedback resistor ratio ( $R_H$ ,  $R_L$ ).  $R_H$ ,  $R_L$ , and  $R_G$  are external resistors. Because the notch can be independently set, mode 3A is also useful when designing pole-zero filters such as elliptics.

**MODE 4** (Figure 11) is the only mode that provides an allpass output. This is useful when implementing group delay equalization. In addition to this, mode 4 can also be used in all pole lowpass and bandpass filters. Along with mode 1, it is the fastest operating mode for the filter, although the gains are different than in mode 1. When the allpass function is used, note that some amplitude peaking occurs (approximately 0.3dB when  $Q = 8$ ) at  $f_0$ . Also note that  $f_0$  and  $Q$  sampling errors are highest in mode 4 (see Figure 20).

# Microprocessor Programmable Universal Active Filters

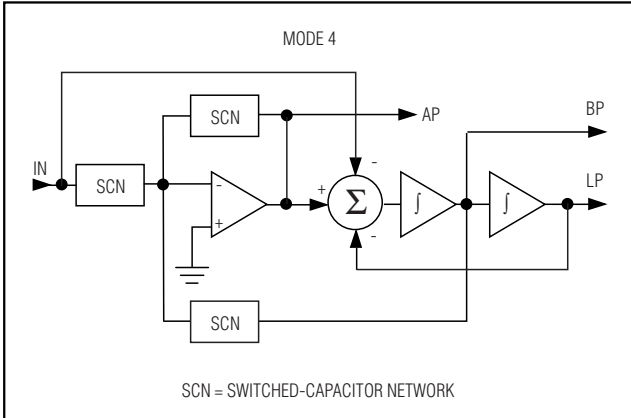


Figure 11. Filter Mode 4: Second-Order Bandpass, Lowpass, and Allpass

## Description of Filter Functions

### BANDPASS (Figure 12)

For all pole bandpass and lowpass filters (Butterworth, Bessel, Chebyshev) use mode 1 if possible. If appropriate  $f_{CLK}/f_0$  or  $Q$  values are not available in mode 1, mode 2 provides a selection that is closer to the required values. Mode 1, however, has the highest bandwidth (see Table 1). For pole-zero filters, such as elliptics, see mode 3A.

$$G(s) = H_{OBP} \frac{s(\omega_0 / Q)}{s^2 + s(\omega_0 / Q) + \omega_0^2}$$

$H_{OBP}$  = Bandpass output gain at  $\omega = \omega_0$

$f_0 = \omega_0 / 2\pi$  = The center frequency of the complex pole pair. Input-output phase shift is  $-180^\circ$  at  $f_0$ .

$Q$  = The quality factor of the complex pole pair. Also the ratio of  $f_0$  to  $-3\text{dB}$  bandwidth of the second-order bandpass response.

**LOWPASS** See bandpass text. (Figure 13)

$$G(s) = H_{OLP} \frac{\omega_0^2}{s^2 + s(\omega_0 / Q) + \omega_0^2}$$

$H_{OLP}$  = Lowpass output gain at DC

$f_0 = \omega_0 / 2\pi$

**HIGHPASS** (Figure 14)

Mode 3 is the only mode with a highpass output. It works for all pole filter types such as Butterworth, Bessel and Chebyshev. Use mode 3A for filters employing both poles and zeros, such as elliptics.



Figure 12. Second-Order Bandpass Characteristics

$$G(s) = H_{OHP} \frac{s^2}{s^2 + s(\omega_0 / Q) + \omega_0^2}$$

$H_{OHP}$  = Highpass output gain as  $f$  approaches  $f_{CLK}/4$

$f_0 = \omega_0 / 2\pi$

**NOTCH** (Figure 15)

Mode 3A is recommended for multi-pole notch filters. In second-order filters, mode 1 can also be used. The advantages of mode 1 are higher bandwidth, compared to mode 3 (higher  $f_N$  can be implemented), and no need for external components as required in mode 3A.

$$G(s) = H_{ON2} \frac{s^2 + \omega_n^2}{s^2 + s(\omega_0 / Q) + \omega_0^2}$$

$H_{ON2}$  = Notch output gain as  $f$  approaches  $f_{CLK}/4$

$H_{ON1}$  = Notch output gain as  $f$  approaches DC

$f_n = \omega_n / 2\pi$

**ALLPASS**

Mode 4 is the only configuration in which an allpass function can be realized.

# Microprocessor Programmable Universal Active Filters

MAX260/MAX261/MAX262



Figure 13. Second-Order Lowpass Characteristics



Figure 14. Second-Order Highpass Characteristics

$$G(s) = H_{OAP} \frac{s^2 - s(\omega_o / Q) + \omega_o^2}{s^2 + s(\omega_o / Q) + \omega_o^2}$$

$H_{OAP}$  = Allpass output gain for  $DC < f < f_{CLK} / 4$

$$f_o = \omega_o / 2\pi$$

## Filter Design Procedure

The procedure for most filter designs is to first convert the required frequency response specifications to  $f_0$ s and  $Q$ s for the appropriate number of second-order sections that implement the filter. This can be done by using design equations or tables in available literature, or can be conveniently calculated using Maxim's filter design software. Once the  $f_0$ s and  $Q$ s have been found, the next step is to turn them into the digital program coefficients required by the MAX260/MAX261/MAX262. An operating mode and clock frequency (or clock/center frequency ratio) must also be selected.

Next, if the sample rate ( $f_{CLK}/2$ ) is low enough to cause significant errors, the selected  $f_0$ s and  $Q$ s should be corrected to account for sampling effects by using Figure 20 or Maxim's design software. In most cases, the sampling errors are small enough to require no correction, i.e., less than 1%. In any case, with or without correction, the required  $f_0$ s and  $Q$ s can then be selected from Tables 2 and 3. Maxim's filter design software



Figure 15. Second-Order Notch Characteristics

**Table 6. Cascading Identical Bandpass Filter Sections**

| TOTAL SECTIONS | TOTAL B.W. | TOTAL Q |
|----------------|------------|---------|
| 1              | 1.000 B    | 1.00 Q  |
| 2              | 0.644 B    | 1.55 Q  |
| 3              | 0.510 B    | 1.96 Q  |
| 4              | 0.435 B    | 2.30 Q  |
| 5              | 0.386 B    | 2.60 Q  |

**Note:** B = individual stage bandwidth, Q = individual stage Q.

# Microprocessor Programmable Universal Active Filters

can also perform this last step. The desired  $f_0$ s and  $Q$ s are stated, and the appropriate digital coefficients are supplied.

## Cascading Filters

In some designs, such as very narrow band filters, several second-order sections with identical center frequency can be cascaded. The total  $Q$  of the resultant filter is:

$$\text{Total } Q_T = \frac{Q}{\sqrt{(2^{1/N} - 1)}}$$

$Q$  is the  $Q$  of each individual filter section, and  $N$  is the number of sections. In Table 6, the total  $Q$  and bandwidth are listed for up to five identical second-order sections.  $B$  is the bandwidth of each section.

In high-order bandpass filters, stages with different  $f_0$ s and  $Q$ s are also often cascaded. When this happens, the overall filter gain at the bandpass center frequency is not simply the product of the individual gains because  $f_0$ , the frequency where each section's gain is specified, is different for each second-order section. The gain of each section at the cascaded filter's center frequency must be determined to obtain the total gain.

For all-pole filters the gain,  $H(f_0)$ , as each second-order section's  $f_0$  is divided by an adjustment factor,  $G$ , to obtain that section's gain,  $H(f_{0BP})$ , at the overall center frequency:

$H_1(f_{0BP}) = H(f_{01}) / G_1 = \text{Section 1's Gain at } f_{0BP}$

$$G_1 = \frac{Q_1 \left[ (F_1^2 - 1)^2 + (F_1 / Q_1)^2 \right]^{1/2}}{F_1}$$

where  $F_1 = f_{01} / f_{0BP}$

$G_1$ ,  $Q_1$ , and  $f_{01}$  are the gain adjustment factor,  $Q$ , and  $f_0$  for the first of the cascaded second-order sections. The gain of the other sections (2, 3, etc.) at  $f_{0BP}$  is determined the same way. The overall gain is:

$H(f_{0BP}) = H_1(f_{0BP}) \times H_2(f_{0BP}) \times \text{etc.}$

For cascaded filters with zeros ( $f_z$ ) such as elliptics, the gain adjustment factor for each stage is:

$$G_1 = \frac{Q_1 \left[ F_{z1}^2 - F_1^2 \right] \left[ (F_1^2 - 1)^2 + (F_1 / Q_1)^2 \right]^{1/2}}{F_1^2 (F_{z1}^2 - 1)}$$

where  $F_{z1} = f_{z1} / f_{0BP}$ , and  $F_1$  is the same as above.

## Application Hints

### Power Supplies

The MAX260/MAX261/MAX262 can be operated with a variety of power supply configurations, including +5V to +12V single supply or  $\pm 2.5$ V to  $\pm 5$ V dual supplies. When a single supply is used,  $V^-$  is connected to system ground and the filter's GND pin should be biased at  $V^+/2$ . The input signal is then either capacitively coupled to the filter input or biased to  $V^+/2$ . Figure 16 shows circuit connections for single-supply operation.

When power supplies other than  $\pm 5$ V are used, CMOS input logic levels (HIGH =  $V^+$ , LOW = GND or  $V^-$ ) are required for WR, D0, D1, A0–A3, OLKA, and CLKB. With  $\pm 5$ V supplies, either TTL or CMOS levels can be used. Note, however, that power consumption at  $\pm 5$ V is reduced if CLKA and CLKB are driven with  $\pm 5$ V, rather than TTL or 0 to 5V levels. Operation with +5V or  $\pm 2.5$ V power lowers power consumption, but also reduces bandwidth by approximately 25% compared to +12V or  $\pm 5$ V supplies.

Best performance is achieved if  $V^+$  and  $V^-$  are bypassed to ground with 4.7 $\mu$ F electrolytic (Tantalum is preferred.) and 0.1 $\mu$ F ceramic capacitors. These should be located as close to the supply pins as possible. The lead length of the bypass capacitors should be shortest at the  $V^+$  and  $V^-$  pins. When using a single supply,  $V^+$  and GND should be bypassed to  $V^-$  as shown in Figure 16.

### Output Swing and Clipping

MAX260/MAX261/MAX262 outputs are designed to drive 10k $\Omega$  loads. For the MAX261 and MAX262, all filter outputs swing to within 0.15V of each supply rail with a 10k $\Omega$  load. In the MAX260 only, an internal sample-hold circuit reduces voltage swing at the N/HP/AP output compared to LP and BR. N/HP/AP, therefore, swings to within 1V (10k $\Omega$  load) of either rail on the MAX260.

To ensure that the outputs are not driven beyond their maximum range (output clipping), the peak amplitude response, individual section gains ( $H_{0BP}$ ,  $H_{0LP}$ ,  $H_{0HP}$ ), input signal level, and filter offset voltages must be carefully considered. It is especially important to check unused outputs for clipping (i.e., the lowpass output in a bandpass hookup), because overload at any filter stage severely distorts the overall response. The maximum signal swing with  $\pm 4.75$ V supplies and a 1.0V filter offset is approximately  $\pm 3.5$ V.

For example, let's assume a fourth-order lowpass filter is being implemented with a  $Q$  of 2 using mode 1. With a single 5V supply (i.e.,  $\pm 2.5$ V with respect to chip GND) the maximum output signal is  $\pm 2$ V (w.r.t. GND). Since in

# Microprocessor Programmable Universal Active Filters

MAX260/MAX261/MAX262

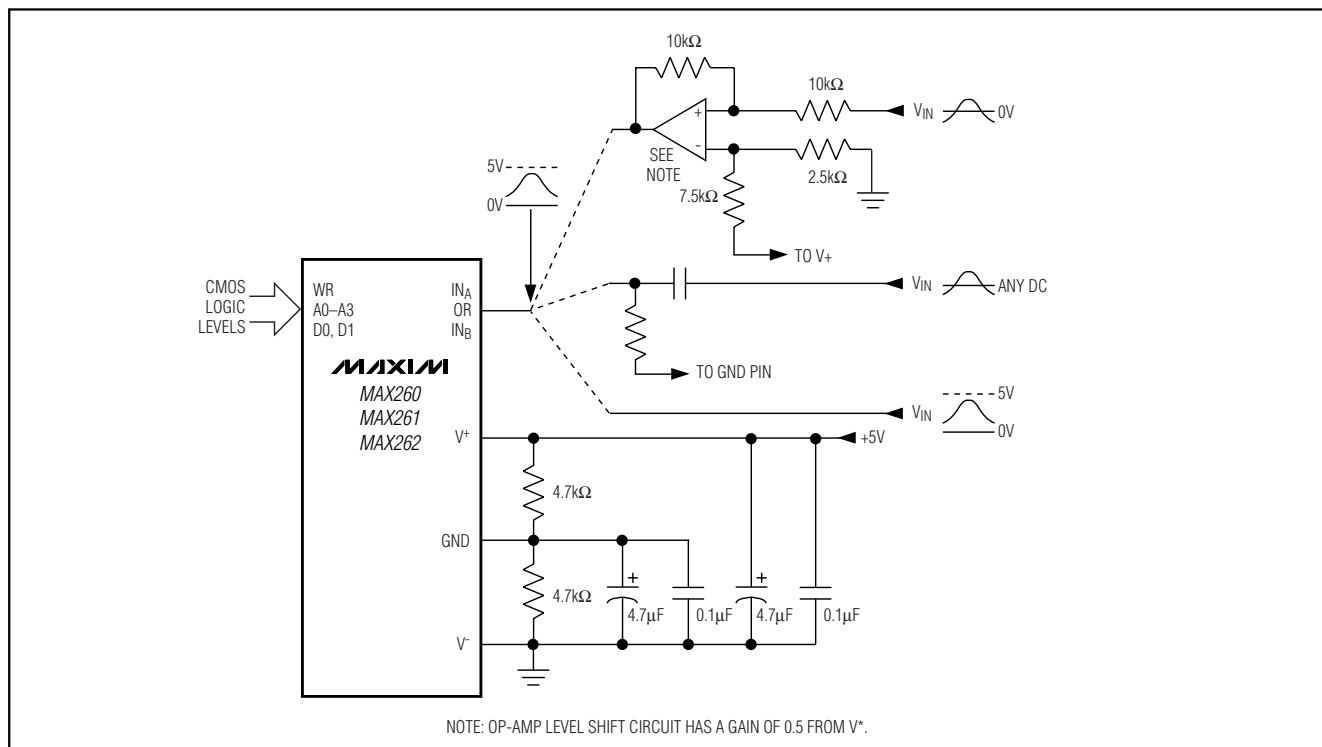


Figure 16. Power Supply and Input Connections for Single Supply Operation

mode 1 the maximum signal is 0 times the input signal, the input should not exceed  $\pm(2/Q)V$ , or  $\pm 1V$  in this case.

### Clock Feedthrough and Noise

Typical wideband noise for MAX260 series devices is  $0.5mV_{P-P}$  from DC to 100kHz. The noise is virtually independent of clock frequency. In multistage filters, the section with the highest Q should be placed first for lower output noise.

The output waveform of the MAX260 series and other switched capacitor filters appears as a sampled signal with stepping or "staircasing" of the output waveform occurring at the internal sample rate ( $f_{CLK}/2$ ). This stepping, if objectionable, can be removed by adding a single-pole AC filter. With no input signal, clock-related feedthrough is approximately  $8mV_{P-P}$ . This can also be attenuated with an RC-smoothing filter as shown with the MAX261 in Figure 17.

Some noise also can be generated at the filter outputs by transitions at the logic inputs. If this is objectionable, the digital lines should be buffered from the device by logic gates as shown in Figure 6.

### Input Impedance

The input to each filter is the switched capacitor circuit shown in Figure 18. In the MAX260, the input capacitor charges to the input voltage  $V_{IN}$  during the first half clock cycle. During the second half-cycle, its charge is transferred to the feedback capacitor. The resultant input impedance can be approximated by:

$$R_{IN} = 1 / (C_{IN}f_{CLK} / 2) = 2 / (C_{IN}f_{CLK}).$$

$C_{IN}$  is around 12pF, hence, for a clock frequency of 500kHz,  $R_{IN} = 333k\Omega$ . The input also has about 5pF of fixed capacitance to ground.

The MAX261/MAX262 input structure is shown in Figure 19. Here  $C_A = 12pF$  and  $C_B = 0.016pF$  and only  $C_B$  is switched, so the input resistance is 750 times larger compared to the MAX260 ( $R_{IN} = 250M\Omega$ ). The MAX261/MAX262 have a fixed capacitance of approximately 5pF to ground.

### $f_0$ and Q at Low Sample Rates

When low  $f_{CLK}/f_0$  ratios and low Q settings are selected, deviation from ideal continuous filter response can be noticeable in some designs. This is due to interaction between Q and  $f_0$  at low  $f_{CLK}/f_0$  ratios and Qs. The data in Figure 20 quantifies these differences. Since the

# Microprocessor Programmable Universal Active Filters

errors are predictable, the graphs can be used to correct the selected  $f_0$  and  $Q$  so that the actual realized parameters are on target. These predicted errors are not unique to MAX260 series devices and, in fact, occur with all types of sampled filters. Consequently, these corrections can be applied to other switched capacitor filters. In the majority of cases, the errors are not significant, i.e., less than 1%, and correction is not needed. However, the MAX262 does employ a lower range of  $f_{CLK}/f_0$  ratios than the MAX260 or MAX261 and is more prone to sampling errors, as the tables show.

Maxim's filter design software applies the previous corrections automatically as a function of desired  $f_{CLK}/f_0$ , and  $Q$ . Therefore, Figure 20 should not be used when Maxim's software determines  $f_0$  and  $Q$ . This results in overcompensation of the sampling errors since the correction factors are then counted twice.

The data plotted in Figure 20 applies for modes 1 and 3. When using Figure 20 for mode 4, the  $f_0$  error obtained from the graph should be multiplied by 1.5 and the  $Q$  error should be multiplied by 3.0. In mode 2, the value of  $f_{CLK}/f_0$  should be multiplied by  $\sqrt{2}$  and the programmed  $Q$  should be divided by  $\sqrt{2}$  before using the graphs.

As with all sampled systems, frequency components of the input signal above one half the sampling rate are aliased. In particular, input signal components near the sampling rate generate difference frequencies that often fall within the passband of the filter. Such aliased signals, when they appear at the output, are indistinguishable from real input information. For example, the aliased output signal generated when a 99kHz waveform is applied to a filter sampling at 100kHz ( $f_{CLK} = 200\text{kHz}$ ) is 1kHz. This waveform is an attenuated version of the output that would result from a true 1kHz input. Remember that, with the MAX260 series filters, the nyquist rate (one half the sample rate) is in fact  $f_{CLK}/4$ , because  $f_{CLK}$  is internally divided by two.

A simple, passive RC lowpass input filter is usually sufficient to remove input frequencies that can cause aliasing. In many cases, the input signal itself may be band limited and require no special anti-alias filtering. The wideband MAX262 uses lower  $f_{CLK}/f_0$  ratios than the MAX260/MAX261 and, for this reason, is more likely to require input filtering than the MAX260 or MAX281.

### Trimming DC Offset

The DC offset voltage at the LP or notch output can be adjusted with the circuit in Figure 21. This circuit also uses the input op amp to implement a single-pole anti-alias filter. Note that the total offset is generally less in multistage filters than when only one section is used,



Figure 17. MAX261 Bandpass Output Clock Noise

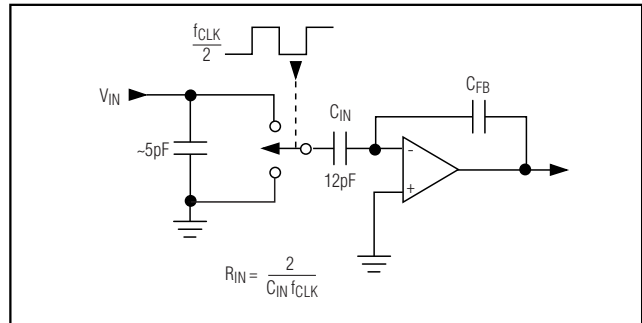


Figure 18. MAX260 Input Model

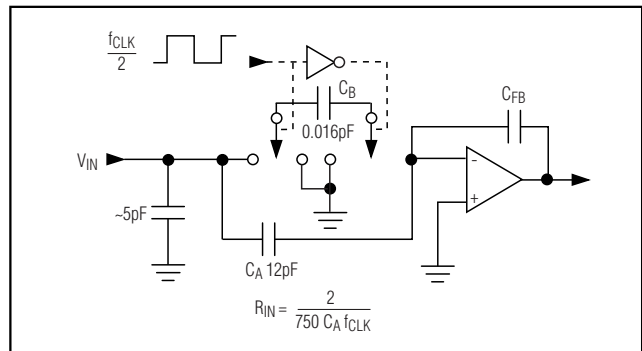


Figure 19. MAX261/MAX262 Input Model

# Microprocessor Programmable Universal Active Filters

since each offset is typical negative and each section inverts. When the HP or BP outputs are used, the offset can be removed with capacitor coupling.

## Design Examples

### Fourth-Order Chebyshev Bandpass Filter

Figure 22 shows both halves of a MAX260 cascaded to form a fourth-order Chebyshev bandpass filter. The desired parameters are:

|                            |         |
|----------------------------|---------|
| Center frequency ( $f_0$ ) | = 1kHz  |
| Pass bandwidth             | = 200Hz |
| Stop bandwidth             | = 600Hz |
| Max passband ripple        | = 0.5dB |
| Min stopband attenuation   | = 15dB  |

From the previous parameters, the order (number of poles) and the  $f_0$  and Q of each section can be determined. Such a derivation is beyond the scope of this data sheet; however, there are a number of sources that provide design data for this procedure. These include look-up tables, design texts, and computer programs. Design software is available from Maxim to provide comprehensive solutions for most popular filter configurations. The A and B section parameters for the above filter are:

|                         |                          |
|-------------------------|--------------------------|
| $f_{0A} = 904\text{Hz}$ | $f_{0B} = 1106\text{Hz}$ |
| $Q_A = 7.05$            | $Q_B = 7.05$             |

To implement this filter, both halves operate in mode 1 and use the same clock. See Tables 2 and 3. The programmed parameters are:

$CLK_A = CLK_B = 150\text{kHz}$

$f_{CLK}/f_{0A} = 166.50$  (Mode 1,  $N = 42$ ), actual  $f_{0A} = 902.4\text{Hz}$

$f_{CLK}/f_{0B} = 136.66$  (Mode 1,  $N = 23$ ), actual  $f_{0B} = 1099.7\text{Hz}$

$Q_A = Q_B = 7.11$  (Mode 1,  $N = 119$ )

Sampling errors are very small at this  $f_{CLK}/f_0$  ratio, so the actual realized Q is very close to 7.05 (see Figure 20 or program MPP in the *Filter Design Software* section). Often the realized Q is not exactly the target value at high Qs because programming resolution lowers as Q increases. This does not affect most filter designs, since three-digit Q accuracy is practically never required, and a Q resolution of 1 is provided up to Qs of 10. The overall filter gain at  $f_0$  is 16.4V/V or 24.3dB (see the *Cascading Filters* section). If another gain is required, amplification or attenuation must be added at the input, output, or between stages.

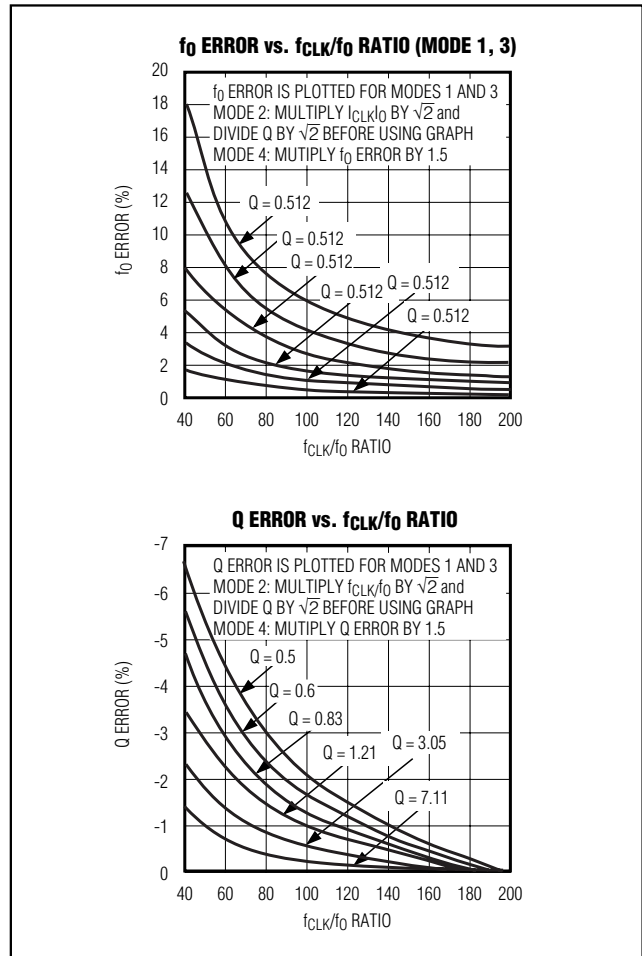


Figure 20. Sampling Errors in  $f_{CLK}/f_0$  and Q at Low  $f_{CLK}/f_0$  and Q Settings

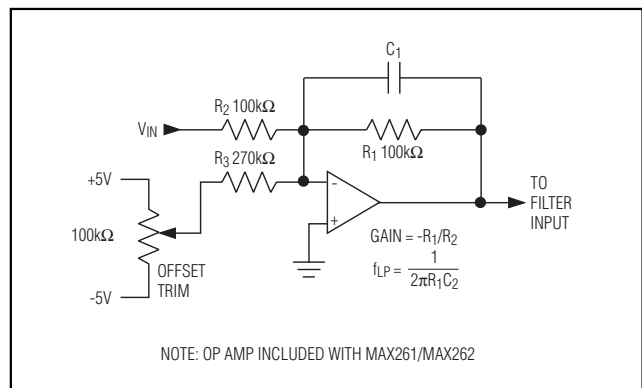


Figure 21. Circuit for DC Offset Adjustment

# Microprocessor Programmable Universal Active Filters

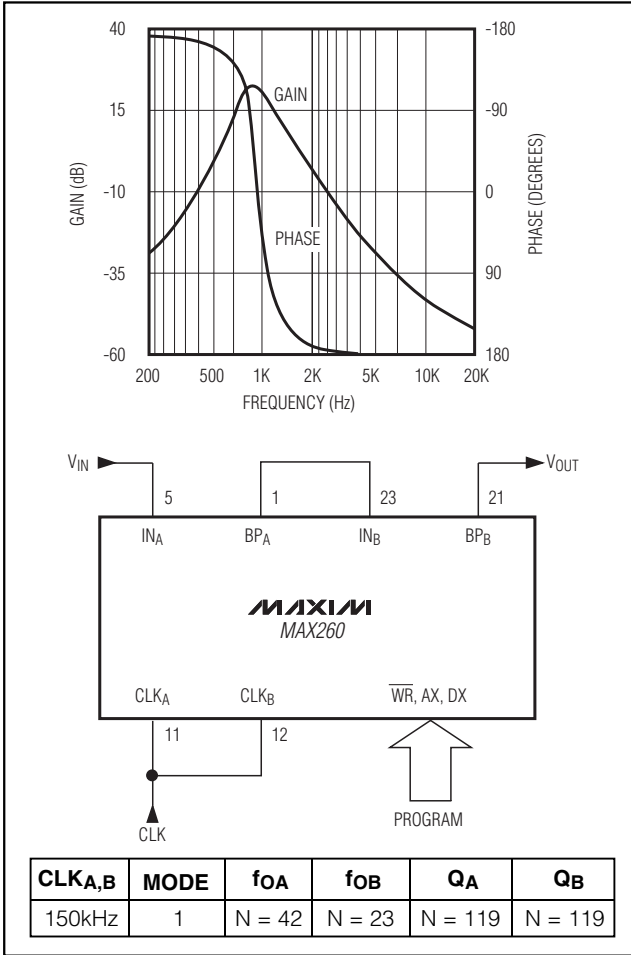


Figure 22. Fourth-Order Chebyshev Bandpass Filter

In Figure 23, a series of response curves are shown for the previous configuration using a MAX261 with clock frequencies ranging from 750kHz to 4MHz (f<sub>0</sub> from 500Hz to 30kHz). Note that the rightmost curve shows about 2dB of gain peaking compared to the lower frequency curves, indicating the upper limit of usable filter accuracy at this Q (see Table 1).

### Wide Passband Chebyshev Bandpass

In this example (Figure 24), the desired parameters are:

- Center frequency (f<sub>0</sub>) = 1kHz
- Pass bandwidth = 1kHz
- Stop bandwidth = 3kHz
- Max passband ripple = 1dB
- Min stopband attenuation = 20dB

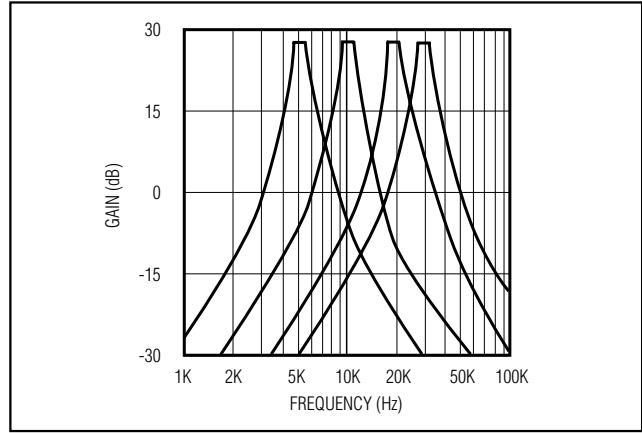


Figure 23. MAX261 Fourth-Order Chebyshev Bandpass Using Coefficients of Figure 22

From the previous parameters, we use either lookup tables, design texts, or Maxim's filter design programs to generate the order (number of poles), and the f<sub>0</sub> and Q of each second-order section. The A and B parameters are:

$$f_{0A} = 639\text{Hz} \quad f_{0B} = 1564\text{Hz}$$

$$Q_A = 2.01 \quad Q_B = 2.01$$

To implement this filter, section A operates in mode 1 and section B uses mode 2 to provide a wider overall range of f<sub>CLK</sub>/f<sub>0</sub> ratios. This way, one clock frequency can drive both sections A and B. See Tables 2 and 3.

$$CLK_A = CLK_B = 120\text{kHz}$$

$$f_{CLK}/f_{0A} = 188.49 \text{ (Mode 1, } N = 56\text{), actual } f_{0A} = 636.6\text{Hz}$$

$$f_{CLK}/f_{0B} = 76.64 \text{ (Mode 2, } N = 5\text{), actual } f_{0B} = 156.5\text{Hz}$$

$$Q_A = 2.000 \text{ (Mode 1, } N = 96\text{), } Q_B = 2.01 \text{ (Mode 2, } N = 83\text{)}$$

The overall passband gain at f<sub>0</sub> is 0.64V/V or -3.9dB.

### High-Frequency Chebyshev Bandpass

The same Chebyshev response shape shown in Figure 24 is implemented at higher frequencies with a MAX262 in Figure 25. The curves show plots for center frequencies of 15.6kHz, 31.3kHz, and 47kHz. Not only is this faster than the MAX260 implementation, but mode 1 can be used in both halves of the MAX262 for this filter because the range of available f<sub>CLK</sub>/f<sub>0</sub> ratios is wider with the MAX262 than the MAX260.



# Microprocessor Programmable Universal Active Filters

MAX260/MAX261/MAX262

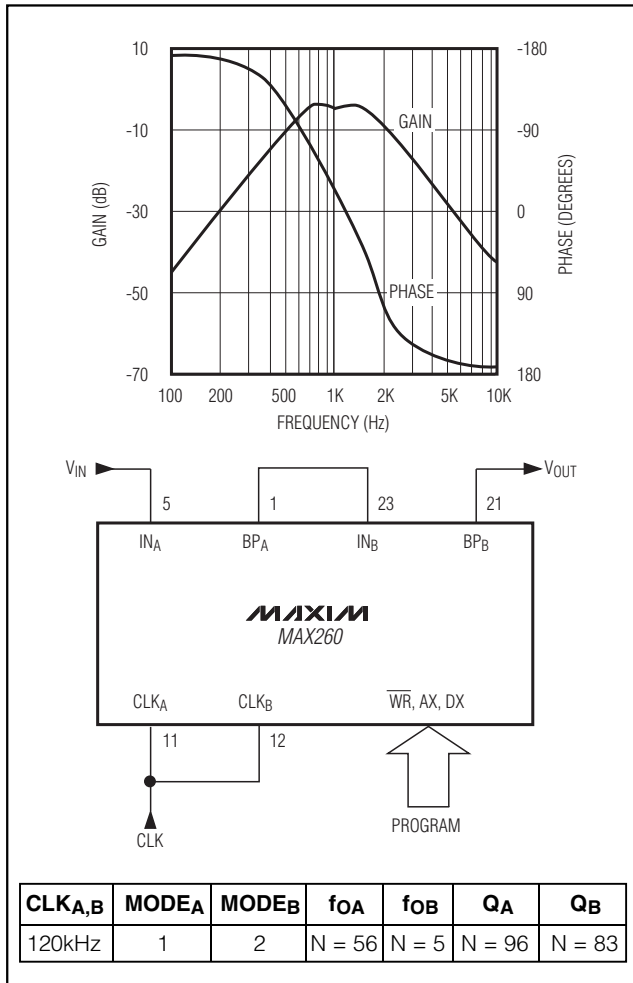


Figure 24. Wide Passband Chebyshev Bandpass Filter

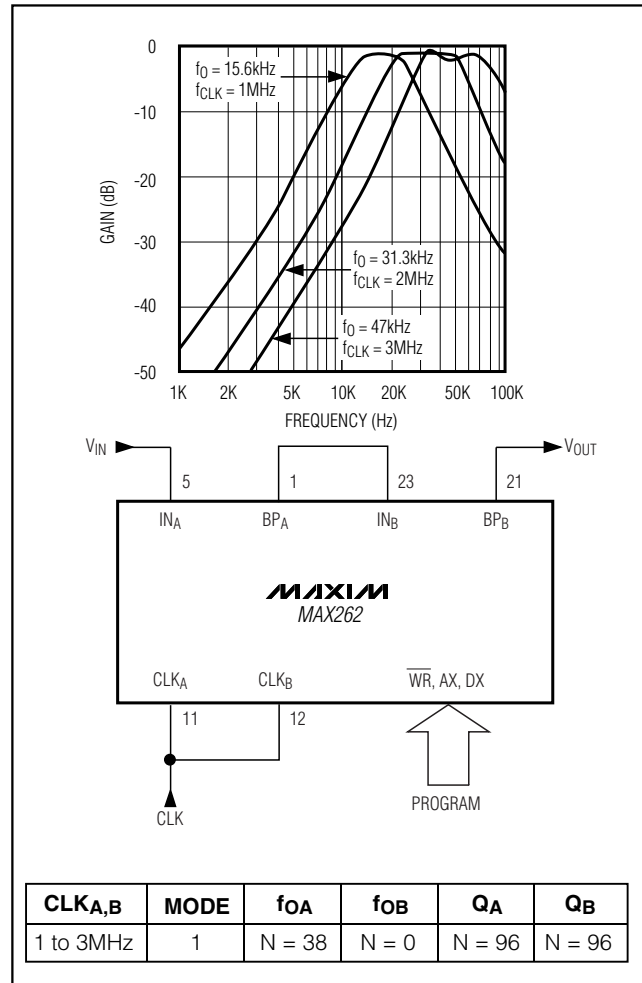


Figure 25. High-Frequency Chebyshev Bandpass Filter

## Fourth-Order Butterworth Lowpass

Figure 26 shows a fourth-order Butterworth lowpass with a cutoff frequency of 3kHz. Sections A and B of a MAX260 are cascaded. The  $f_0$  and  $Q$  parameters for each section are:

$$f_{0A} = 3\text{kHz} \quad f_{0B} = 3\text{kHz}$$

$$Q_A = 1.307 \quad Q_B = 0.541$$

Mode 1 and a 400kHz clock are used. Because of low  $Q$  values, the sampling errors of Figure 20 begin to look significant in this case. From the graphs, using  $f_{CLK}/f_0$  ratio near 133,  $f_{0A}$  is about 4% high,  $f_{0B}$  is 1.5% high,  $Q_A$  is -1.2% low, and  $Q_B$  is -0.5% low. If these errors are not a problem, the corrections can be ignored. They are included here for best possible accuracy:

$$CLK_A = CLK_B = 400\text{kHz}$$

$$f_{CLK}/f_{0A} = 135.08 \text{ (} N = 22 \text{), } f_{0B} = 2961\text{Hz}$$

(-1.3% correction)

$$f_{CLK}/f_{0B} = 139.80 \text{ (} N = 25 \text{), } f_{0A} = 2861\text{Hz}$$

(-4.6% correction)

$$Q_A = 1.306 \text{ (} N = 79 \text{, } Q \text{ resolution prevents } +0.5\% \text{ correction)}$$

$$Q_B = 0.547 \text{ (} N = 11 \text{ } +1.1\% \text{ correction)}$$

Measured wideband noise for this filter is 123 $\mu$ V RMS. If mode 2 were used, the noise would be 87 $\mu$ V RMS. For lower noise with either mode, the first section should have the highest  $Q$  (section A in this example).

# Microprocessor Programmable Universal Active Filters

## Ordering Information (continued)

| PART       | TEMP RANGE      | PACKAGE     | ACCURACY |
|------------|-----------------|-------------|----------|
| MAX261ACNG | 0°C to +70°C    | Plastic DIP | 1%       |
| MAX261BCNG | 0°C to +70°C    | Plastic DIP | 2%       |
| MAX261AENG | -40°C to +85°C  | Plastic DIP | 1%       |
| MAX261BENG | -40°C to +85°C  | Plastic DIP | 2%       |
| MAX261ACWG | 0°C to +70°C    | Wide SO     | 1%       |
| MAX261BCWG | 0°C to +70°C    | Wide SO     | 2%       |
| MAX261AMRG | -55°C to +125°C | CERDIP      | 1%       |
| MAX261BMRG | -55°C to +125°C | CERDIP      | 2%       |
| MAX262ACNG | 0°C to +70°C    | Plastic DIP | 1%       |
| MAX262BCNG | 0°C to +70°C    | Plastic DIP | 2%       |
| MAX262AENG | -40°C to +85°C  | Plastic DIP | 1%       |
| MAX262BENG | -40°C to +85°C  | Plastic DIP | 2%       |
| MAX262ACWG | 0°C to +70°C    | Wide SO     | 1%       |
| MAX262BCWG | 0°C to +70°C    | Wide SO     | 2%       |
| MAX262AMRG | -55°C to +125°C | CERDIP      | 1%       |
| MAX262BMRG | -55°C to +125°C | CERDIP      | 2%       |

\*All devices—24-pin packages 0.3in-wide packages

## Chip Topography



Maxim cannot assume responsibility for use of any circuitry other than circuitry entirely embodied in a Maxim product. No circuit patent licenses are implied. Maxim reserves the right to change the circuitry and specifications without notice at any time.

26 **Maxim Integrated Products, 120 San Gabriel Drive, Sunnyvale, CA 94086 408-737-7600**



Компания «ЭлектроПласт» предлагает заключение долгосрочных отношений при поставках импортных электронных компонентов на взаимовыгодных условиях!

Наши преимущества:

- Оперативные поставки широкого спектра электронных компонентов отечественного и импортного производства напрямую от производителей и с крупнейших мировых складов;
- Поставка более 17-ти миллионов наименований электронных компонентов;
- Поставка сложных, дефицитных, либо снятых с производства позиций;
- Оперативные сроки поставки под заказ (от 5 рабочих дней);
- Экспресс доставка в любую точку России;
- Техническая поддержка проекта, помощь в подборе аналогов, поставка прототипов;
- Система менеджмента качества сертифицирована по Международному стандарту ISO 9001;
- Лицензия ФСБ на осуществление работ с использованием сведений, составляющих государственную тайну;
- Поставка специализированных компонентов (Xilinx, Altera, Analog Devices, Intersil, Interpoint, Microsemi, Aeroflex, Peregrine, Syfer, Eurofarad, Texas Instrument, Miteq, Cobham, E2V, MA-COM, Hittite, Mini-Circuits, General Dynamics и др.);

Помимо этого, одним из направлений компании «ЭлектроПласт» является направление «Источники питания». Мы предлагаем Вам помощь Конструкторского отдела:

- Подбор оптимального решения, техническое обоснование при выборе компонента;
- Подбор аналогов;
- Консультации по применению компонента;
- Поставка образцов и прототипов;
- Техническая поддержка проекта;
- Защита от снятия компонента с производства.



#### Как с нами связаться

**Телефон:** 8 (812) 309 58 32 (многоканальный)

**Факс:** 8 (812) 320-02-42

**Электронная почта:** [org@eplast1.ru](mailto:org@eplast1.ru)

**Адрес:** 198099, г. Санкт-Петербург, ул. Калинина, дом 2, корпус 4, литера А.