

Brief Description

The ZSPM4121 battery management load switch can be used to protect a battery from excessive discharge. It actively monitors the battery voltage and disconnects the battery from the load if the battery drops below a set voltage threshold. When the input battery voltage reaches 500mV above the set voltage threshold, the load switch turns on and connects the battery to the load. The 500mV hysteresis between the Off Mode and the On Mode prevents intermittent operation.

The voltage threshold (V_{THRESH}) can be programmed at manufacturing to a customer-selected set point in the voltage range of 1.2V to 4.2V in 100mV increments to support a wide range of applications in consumer, medical, portable, and industrial applications.

This device has ultra-low quiescent current, which makes it ideal for battery-powered applications. Typical quiescent current is 100pA in the Off Mode and 70nA in the On Mode.

The ZSPM4121 includes a slew rate control P-channel load switch, over-current protection, and an open-drain power indicator pin (NPG). The slew-rate controlled turn-on characteristic prevents inrush current and voltage droop on the voltage. The over-current limit protects the device in case of an overload, short-circuit, or ground fault event.

Benefits

- Best-in-class ultra-low quiescent current in Off Mode: 100pA (typical)
- Ultra-low quiescent current in On Mode: 70nA (typical)
- Accurate on/off voltage threshold
- Low $R_{ds(on)}$: 175m Ω (typical) @ 5V

Features

- Threshold voltage options of 1.2V to 4.2V in 100mV steps (factory programmed)
- Wide input voltage range: 1.2V to 5.5V
- Supervisory over-current limit shutdown: (3A)
- Low drop-out disconnect from VCC to loads
- Controlled turn-on slew rate
- 500mV Off Mode to On Mode hysteresis

Related IDT Smart Power Products

- ZSPM4141 Ultra-Low-Power Linear Regulator

Available Support

- Evaluation Kit
- Support Documentation

Physical Characteristics

- Package: 8-pin DFN (2mm x 2mm)

ZSPM4121 Block Diagram



Typical Application Circuit



Ordering Information

Ordering Code*	Description	Package
ZSPM4121AI1W17	ZSPM4121 Under-Voltage Load Switch— V_{THRESH} factory set to 1.7V	8-pin DFN / 7" Reel (2500)
ZSPM4121AI1W21	ZSPM4121 Under-Voltage Load Switch— V_{THRESH} factory set to 2.1V	8-pin DFN / 7" Reel (2500)
ZSPM4121AI1W23	ZSPM4121 Under-Voltage Load Switch— V_{THRESH} factory set to 2.3V	8-pin DFN / 7" Reel (2500)
ZSPM4121AI1W24	ZSPM4121 Under-Voltage Load Switch— V_{THRESH} factory set to 2.4V	8-pin DFN / 7" Reel (2500)
ZSPM4121AI1W25	ZSPM4121 Under-Voltage Load Switch— V_{THRESH} factory set to 2.5V	8-pin DFN / 7" Reel (2500)
ZSPM4121AI1W26	ZSPM4121 Under-Voltage Load Switch— V_{THRESH} factory set to 2.6V	8-pin DFN / 7" Reel (2500)
ZSPM4121AI1W28	ZSPM4121 Under-Voltage Load Switch— V_{THRESH} factory set to 2.8V	8-pin DFN / 7" Reel (2500)
ZSPM4121AI1W30	ZSPM4121 Under-Voltage Load Switch— V_{THRESH} factory set to 3.0V	8-pin DFN / 7" Reel (2500)
ZSPM4121KIT	ZSPM4121 Evaluation Kit	

* For a 13" reel (3300 parts), replace the W in the ordering code with an R. Custom V_{THRESH} values are also available: 1.2V to 4.2V (typical) in 100mV increments.



Corporate Headquarters
6024 Silver Creek Valley Road
San Jose, CA 95138
www.IDT.com

Sales
1-800-345-7015 or 408-284-8200
Fax: 408-284-2775
www.IDT.com/go/sales

Tech Support
www.IDT.com/go/support

DISCLAIMER Integrated Device Technology, Inc. (IDT) reserves the right to modify the products and/or specifications described herein at any time, without notice, at IDT's sole discretion. Performance specifications and operating parameters of the described products are determined in an independent state and are not guaranteed to perform the same way when installed in customer products. The information contained herein is provided without representation or warranty of any kind, whether express or implied, including, but not limited to, the suitability of IDT's products for any particular purpose, an implied warranty of merchantability, or non-infringement of the intellectual property rights of others. This document is presented only as a guide and does not convey any license under intellectual property rights of IDT or any third parties.

IDT's products are not intended for use in applications involving extreme environmental conditions or in life support systems or similar devices where the failure or malfunction of an IDT product can be reasonably expected to significantly affect the health or safety of users. Anyone using an IDT product in such a manner does so at their own risk, absent an express, written agreement by IDT.

Integrated Device Technology, IDT and the IDT logo are trademarks or registered trademarks of IDT and its subsidiaries in the United States and other countries. Other trademarks used herein are the property of IDT or their respective third party owners. For datasheet type definitions and a glossary of common terms, visit www.idt.com/go/glossary. All contents of this document are copyright of Integrated Device Technology, Inc. All rights reserved.

Contents

1	ZSPM4121 Characteristics.....	5
1.1.	Absolute Maximum Ratings.....	5
1.2.	Thermal Characteristics.....	5
1.3.	Recommended Operating Conditions	5
1.4.	Electrical Characteristics	6
2	Typical Performance Characteristics	7
3	Description of Circuit	8
4	Application Circuit.....	9
4.1.	Typical Application Circuit	9
5	Pin Configuration and Package.....	10
5.1.	Package Dimensions and Marking Diagram	10
5.2.	Pin Description for 8-Pin DFN (2x2 mm)	11
6	Layout and Soldering Requirements.....	12
6.1.	Recommended Landing Pattern for PCBs	12
6.2.	Multi-Layer PCB Layout.....	13
6.3.	Single-Layer PCB Layout	14
7	Ordering Information	15
8	Related Documents.....	15
9	Glossary	16
10	Document Revision History	16

List of Figures

Figure 2.1	On Mode / Off Mode Characteristics	7
Figure 2.2	On Mode Switching Behavior	7
Figure 2.3	On Mode / Off Mode Quiescent Current I_q	7
Figure 2.4	Off Mode V_{THRESH} Temperature Performance.....	7
Figure 2.5	On Mode / Off Mode Transition Delay	8
Figure 2.6	Over-Current Retry Performance.....	8
Figure 3.1	ZSPM4121 Block Diagram	8
Figure 4.1	Application Circuit for Disconnecting the Load	9
Figure 5.1	ZSPM4121 Package Drawing.....	10
Figure 5.2	ZSPM4121 Pin Assignments (top view)	11
Figure 6.1	Recommended Landing Pattern for 8-Pin DFN.....	12
Figure 6.2	Package and PCB Land Configuration for Multi-Layer PCB	13
Figure 6.3	JEDEC Standard FR4 Multi-Layer Board – Cross-Sectional View.....	13
Figure 6.4	Conducting Heat Away from the Die using an Exposed Pad Package	14
Figure 6.5	Application Using a Single-Layer PCB	14

List of Tables

Table 1.1	Absolute Maximum Ratings	5
Table 1.2	Thermal Characteristics for 8-Pin DFN (2mm x 2mm) Package	5
Table 1.3	Recommended Operating Conditions	5
Table 1.4	Electrical Characteristics	6
Table 5.1	Pin Description, 8-Pin DFN (2x2).....	11

1 ZSPM4121 Characteristics

Stresses beyond those listed under “Absolute Maximum Ratings” (section 1.1) may cause permanent damage to the device. These are stress ratings only. Functional operation of the device at these or any other conditions beyond those recommended under “Recommended Operating Conditions” (section 1.3) is not implied. Exposure to absolute–maximum conditions for extended periods may affect device reliability.

1.1. Absolute Maximum Ratings

Over operating free–air temperature range unless otherwise noted. All voltage values are with respect to network ground terminal.

Table 1.1 Absolute Maximum Ratings

Parameter	Symbol	Value	Unit
Maximum voltage applied to the VCC, VOUT, and NPG pins		-0.3 to 6.0	V
Electrostatic Discharge – Human Body Model, according to the respective JESD22 JEDEC standard		2	kV
Electrostatic Discharge – Charged Device Model, according to the respective JESD22-C101 JEDEC standard		500	V
Operating Junction Temperature Range	T_J	-20 to 85	°C
Storage Temperature Range	T_{stg}	-65 to 150	°C
Lead Temperature (soldering, 10 seconds)		260	°C

1.2. Thermal Characteristics

Table 1.2 Thermal Characteristics for 8-Pin DFN (2mm x 2mm) Package

θ_{JA} (°C/W) ¹⁾	θ_{JC} (°C/W) ²⁾
73.1	10.7
1) This rating assumes a FR4 board only. 2) This rating assumes a 1oz. copper JEDEC standard board with thermal vias. See section 6.1 for more information.	

1.3. Recommended Operating Conditions

Table 1.3 Recommended Operating Conditions

Parameter	Symbol	Min	Typ	Max	Unit
Unregulated Supply Input at VCC Pin	V_{CC}	1.2		5.5	V
Operating Ambient Temperature ¹⁾	T_A	-20		55	°C
Operating Junction Temperature	T_J	-20		85	°C
1) Operating ambient temperature is only intended as a guideline. The operating junction temperature requirements must not be exceeded.					

1.4. Electrical Characteristics

Electrical characteristics for $V_{CC} = 1.2V$ to $5.5V$ (unless otherwise noted). Minimum and maximum characteristics are tested at $T_J = 25^\circ C$.

Table 1.4 Electrical Characteristics

Parameter	Symbol	Condition	Min	Typ	Max	Unit
Input Supply						
Input Supply Voltage at VCC pin	V_{CC}		1.2		5.5	V
Quiescent Current: On Mode	I_{q-ON}	$V_{CC} = 5.0V$, no load		70	150	nA
Quiescent Current: Off Mode	I_{q-OFF}	$V_{CC} < V_{THRESH}$, no load		100		pA
Load Switch						
Over-Current Shutdown	I_{OC}	$V_{CC} = 5.0V$		3		A
Over-Current Retry Period	t_{OC}	$V_{CC} = 5.0V$		1.7		ms
Output Switch Leakage Current	$I_{LEAK-SW}$	$V_{CC} < V_{THRESH}$; V_{OUT} grounded		100		pA
Switch ON-Resistance	Rds-on	$V_{CC} = 5.0V$		175		$m\Omega$
		$V_{CC} = 3.3V$		200		$m\Omega$
		$V_{CC} = 1.8V$		350		$m\Omega$
Transition Times						
Transition Delay: On Mode to Off Mode	t_{d1}	$V_{OFF} = 2.0V$, $V_{CC} = 3.0V \rightarrow 1.5V$		650		μs
Transition Delay: Off Mode to On Mode	t_{d2}	$V_{OFF} = 2.0V$, $V_{CC} = 1.5V \rightarrow 3.0V$		1.7		ms
Output Turn-on Rise Time	t_{ON}	$V_{CC} = 2.5V$, $R_{LOAD} = 50\Omega$		200		μs
NPG Output						
Output Leakage	$I_{LEAK-NPG}$	$V_{CC} = 5.0V$, $V_{NPG} = 5.5V$			100	nA
Low-Level Output Voltage	V_{OL-NPG}	$I_{NPG} = 5\text{ mA}$			0.4	V
Off Thresholds						
Off Threshold	V_{OFF}	V_{THRESH} = customer-selected threshold voltage in the range of 1.2V to 4.2V with 100mV steps between options programmed at manufacturing	$0.95 * V_{THRESH}$	V_{THRESH}	$1.05 * V_{THRESH}$	V
Off Mode to On Mode Hysteresis	V_{Hys}	Rising Transition: Off Mode to On Mode		500		mV

2 Typical Performance Characteristics

T = 25°C (unless otherwise noted)





3 Description of Circuit

The ZSPM4121 battery management load switch includes an internally generated threshold voltage, comparator with hysteresis, slew rate control for the load switch, a P-channel load switch, and an open-drain indicator pin. When the input battery voltage rises to 500mV above the threshold, the load switch turns on (the On Mode). When the input battery voltage falls to the threshold voltage or below, the load switch is off (the Off Mode), and the quiescent current draw on the battery is in the order of 100pA (typical). The ZSPM4121 threshold voltage is programmed at manufacturing to an option in the range of 1.2V to 4.2V with 100mV steps between options. The 500mV hysteresis between the Off Mode and the On Mode prevents intermittent operation. The ZSPM4121 also provides over-current protection.

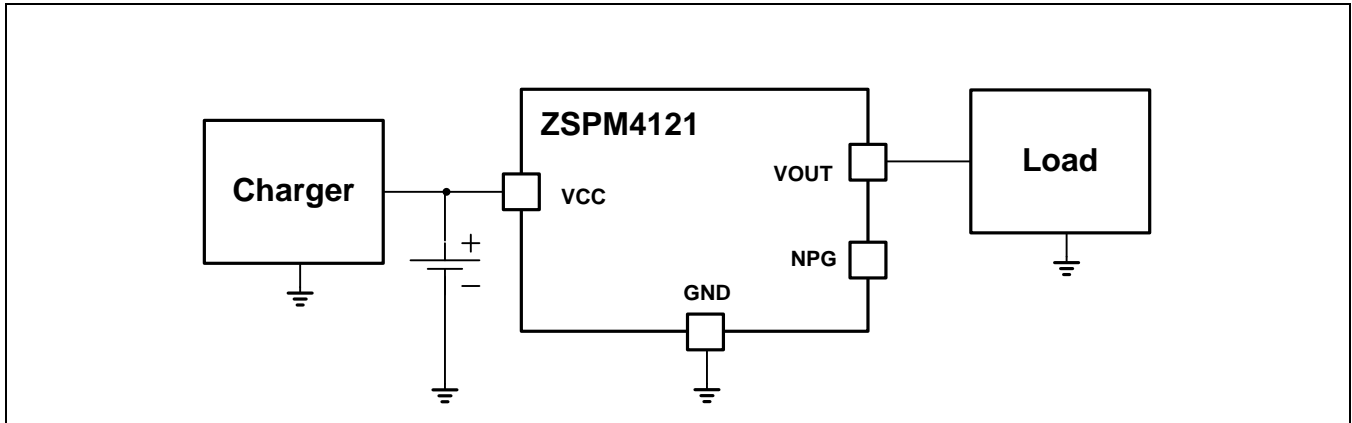
Figure 3.1 ZSPM4121 Block Diagram



4 Application Circuit

4.1. Typical Application Circuit

Figure 4.1 Application Circuit for Disconnecting the Load



5 Pin Configuration and Package

5.1. Package Dimensions and Marking Diagram

Figure 5.1 ZSPM4121 Package Drawing



5.2. Pin Description for 8-Pin DFN (2x2 mm)

Figure 5.2 ZSPM4121 Pin Assignments (top view)



Table 5.1 Pin Description, 8-Pin DFN (2x2)

Pin #	Name	Function	Description
1	GND	Ground	GND
2	VOUT	Output	Output to system load
3	NC		No connection (connect to GND or float)
4	NC		No connection (connect to GND or float)
5	NC		No connection (connect to GND or float)
6	VCC	Supply	Supply input (connect to pin 7 and VCC supply rail)
7	VCC	Supply	Supply input (connect to pin 6 and VCC supply rail)
8	NPG	Output	Open-drain N-channel output (low indicates "Power Good")

6 Layout and Soldering Requirements

To maximize the efficiency of this package for applications on a single layer or multi-layer printed circuit board (PCB), certain guidelines must be followed when laying out this part on the PCB.

6.1 Recommended Landing Pattern for PCBs

Figure 6.1 Recommended Landing Pattern for 8-Pin DFN



6.2. Multi-Layer PCB Layout

The following are guidelines for mounting the exposed pad ZSPM4121 on a multi-Layer PCB with ground a plane. In a multi-layer board application, the thermal vias are the primary method of heat transfer from the package thermal pad to the internal ground plane. The efficiency of this method depends on several factors, including die area, number of thermal vias, and thickness of copper, etc.

Figure 6.2 Package and PCB Land Configuration for Multi-Layer PCB



Figure 6.3 JEDEC Standard FR4 Multi-Layer Board – Cross-Sectional View

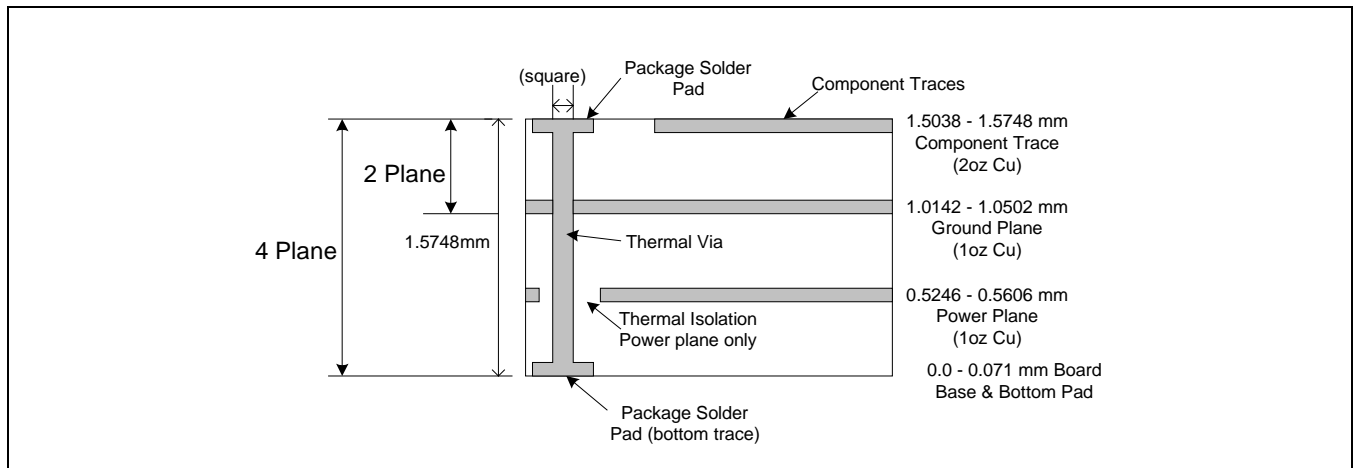
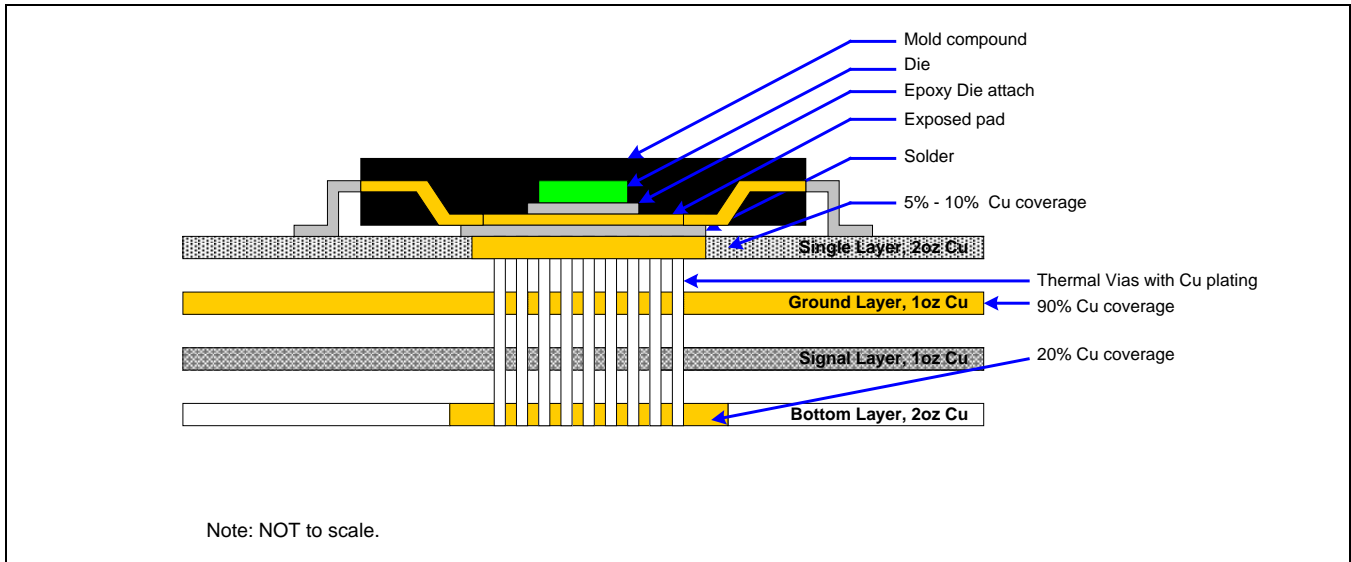


Figure 6.4 is a representation of how the heat can be conducted away from the die using an exposed pad package. Each application will have different requirements and limitations, and therefore the user should use sufficient copper to dissipate the power in the system. The output current rating of the linear regulators might need to be de-rated for higher ambient temperatures. The de-rated value will depend on the calculated worst-case power dissipation and the thermal management implementation in the application.

Figure 6.4 Conducting Heat Away from the Die using an Exposed Pad Package

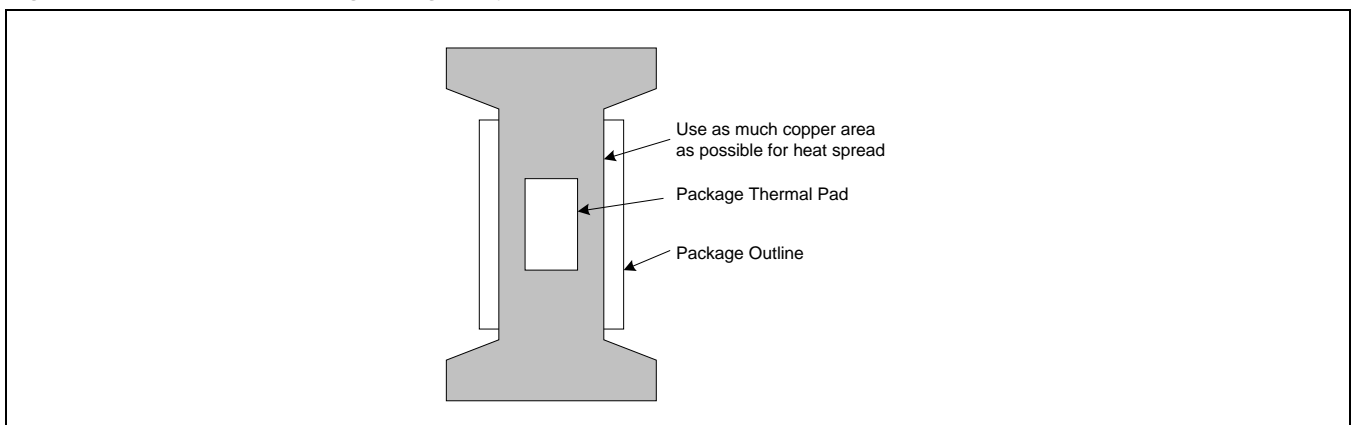


6.3. Single-Layer PCB Layout

Layout recommendations for a single-layer PCB: Utilize as much copper area for power management as possible. In a single-layer board application, the thermal pad is attached to a heat spreader (copper areas) by using a low thermal impedance attachment method (solder paste or thermal conductive epoxy). In both of the methods mentioned above, it is advisable to use as much copper trace as possible to dissipate the heat.

Important: If the attachment method is NOT implemented correctly, the functionality of the product is NOT guaranteed. Power dissipation capability will be adversely affected if the device is incorrectly mounted onto the circuit board.

Figure 6.5 Application Using a Single-Layer PCB



7 Ordering Information

Ordering Code*	Description	Package
ZSPM4121AI1W17	ZSPM4121 Under-Voltage Load Switch— V_{THRESH} factory set to 1.7V	8-pin DFN / 7" Reel (2500)
ZSPM4121AI1W21	ZSPM4121 Under-Voltage Load Switch— V_{THRESH} factory set to 2.1V	8-pin DFN / 7" Reel (2500)
ZSPM4121AI1W23	ZSPM4121 Under-Voltage Load Switch— V_{THRESH} factory set to 2.3V	8-pin DFN / 7" Reel (2500)
ZSPM4121AI1W24	ZSPM4121 Under-Voltage Load Switch— V_{THRESH} factory set to 2.4V	8-pin DFN / 7" Reel (2500)
ZSPM4121AI1W25	ZSPM4121 Under-Voltage Load Switch— V_{THRESH} factory set to 2.5V	8-pin DFN / 7" Reel (2500)
ZSPM4121AI1W26	ZSPM4121 Under-Voltage Load Switch— V_{THRESH} factory set to 2.6V	8-pin DFN / 7" Reel (2500)
ZSPM4121AI1W28	ZSPM4121 Under-Voltage Load Switch— V_{THRESH} factory set to 2.8V	8-pin DFN / 7" Reel (2500)
ZSPM4121AI1W30	ZSPM4121 Under-Voltage Load Switch— V_{THRESH} factory set to 3.0V	8-pin DFN / 7" Reel (2500)
ZSPM4121KIT	ZSPM4121 Evaluation Kit	

* For a 13" reel (3300 parts), replace the W in the ordering code with an R. Custom V_{THRESH} values are also available: 1.2V to 4.2V (typical) in 100mV increments.

8 Related Documents

Document
<i>ZSPM4121 Feature Sheet</i>
<i>ZSPM4121 Evaluation Kit Description</i>
<i>ZSPM4121 Application Note—Low Power Battery Control and Voltage Regulator Solutions for Remote Sensor Networks</i>

Visit IDT's website www.IDT.com or contact your nearest sales office for the latest version of these documents.

9 Glossary

Term	Description
PG	Power Good (NPG = Power Good, active low)
RFID	Radio Frequency Identification
SPM	Smart Power Management

10 Document Revision History

Revision	Date	Description
1.00	April 30, 2012	First release
1.01	February 7, 2013	Addition of “Electrostatic Discharge – Charged Device Model” specification in section 1.1. Update for block diagram. Updates for V designation in marking codes in section 5. Edits for clarity. Update to IDT contact information.
	January 29, 2016	Changed to IDT branding.



Corporate Headquarters
6024 Silver Creek Valley Road
San Jose, CA 95138
www.IDT.com

Sales
1-800-345-7015 or 408-284-8200
Fax: 408-284-2775
www.IDT.com/go/sales

Tech Support
www.IDT.com/go/support

DISCLAIMER Integrated Device Technology, Inc. (IDT) reserves the right to modify the products and/or specifications described herein at any time, without notice, at IDT's sole discretion. Performance specifications and operating parameters of the described products are determined in an independent state and are not guaranteed to perform the same way when installed in customer products. The information contained herein is provided without representation or warranty of any kind, whether express or implied, including, but not limited to, the suitability of IDT's products for any particular purpose, an implied warranty of merchantability, or non-infringement of the intellectual property rights of others. This document is presented only as a guide and does not convey any license under intellectual property rights of IDT or any third parties.

IDT's products are not intended for use in applications involving extreme environmental conditions or in life support systems or similar devices where the failure or malfunction of an IDT product can be reasonably expected to significantly affect the health or safety of users. Anyone using an IDT product in such a manner does so at their own risk, absent an express, written agreement by IDT.

Integrated Device Technology, IDT and the IDT logo are trademarks or registered trademarks of IDT and its subsidiaries in the United States and other countries. Other trademarks used herein are the property of IDT or their respective third party owners. For datasheet type definitions and a glossary of common terms, visit www.idt.com/go/glossary. All contents of this document are copyright of Integrated Device Technology, Inc. All rights reserved.



Компания «ЭлектроПласт» предлагает заключение долгосрочных отношений при поставках импортных электронных компонентов на взаимовыгодных условиях!

Наши преимущества:

- Оперативные поставки широкого спектра электронных компонентов отечественного и импортного производства напрямую от производителей и с крупнейших мировых складов;
- Поставка более 17-ти миллионов наименований электронных компонентов;
- Поставка сложных, дефицитных, либо снятых с производства позиций;
- Оперативные сроки поставки под заказ (от 5 рабочих дней);
- Экспресс доставка в любую точку России;
- Техническая поддержка проекта, помощь в подборе аналогов, поставка прототипов;
- Система менеджмента качества сертифицирована по Международному стандарту ISO 9001;
- Лицензия ФСБ на осуществление работ с использованием сведений, составляющих государственную тайну;
- Поставка специализированных компонентов (Xilinx, Altera, Analog Devices, Intersil, Interpoint, Microsemi, Aeroflex, Peregrine, Syfer, Eurofarad, Texas Instrument, Miteq, Cobham, E2V, MA-COM, Hittite, Mini-Circuits, General Dynamics и др.);

Помимо этого, одним из направлений компании «ЭлектроПласт» является направление «Источники питания». Мы предлагаем Вам помощь Конструкторского отдела:

- Подбор оптимального решения, техническое обоснование при выборе компонента;
- Подбор аналогов;
- Консультации по применению компонента;
- Поставка образцов и прототипов;
- Техническая поддержка проекта;
- Защита от снятия компонента с производства.



Как с нами связаться

Телефон: 8 (812) 309 58 32 (многоканальный)

Факс: 8 (812) 320-02-42

Электронная почта: org@eplast1.ru

Адрес: 198099, г. Санкт-Петербург, ул. Калинина, дом 2, корпус 4, литера А.