



Surface Mount 1500 Watt Transient Voltage Suppressor

Screening in
reference to
MIL-PRF-19500
available

DESCRIPTION

The MSMCG(J)5.0A through MXLSMCG(J)170A series of 1500 watt high-reliability Transient Voltage Suppressors (TVSs) protects a variety of voltage-sensitive components. The SMCJ gull-wing design in the DO-215AB package allows for visible solder connections. The SMCJ J-bend design in the DO-214AB package allows for greater PC board mounting density. Selections include unidirectional and bidirectional as well as RoHS compliant versions. These are available with a variety of upscreening options for enhanced reliability. They can protect against the secondary effects of lightning per IEC61000-4-5 and against voltage pulses from inductive switching environments and induced by RF radiation. Since their response time is virtually instantaneous, they can also be used in protection from ESD and EFT per IEC61000-4-2 and IEC61000-4-4.

Important: For the latest information, visit our website <http://www.microsemi.com>.

FEATURES

- High reliability devices with fabrication and assembly lot traceability.
- All devices are 100% surge tested.
- 3 σ lot norm screening performed on standby current (I_b).
- Available in both unidirectional and bidirectional versions.
- Moisture classification is "Level 1" with no dry pack required per IPC/JEDEC J-STD-020B.
- Enhanced reliability screening options are available in reference to MIL-PRF-19500. Refer to [High Reliability Up-Screened Plastic Products Portfolio](#) for more details on the screening options. (See [part nomenclature](#) for all available options).
- RoHS compliant versions available.
- Axial-lead equivalent packages for thru-hole mounting are available as 1.5KE6.8A to 1.5KE200CA or 1N6267 thru 1N6303A and 1N5908 (contact Microsemi for other surface mount options).



**DO-215AB
(SMCG) Package**



**DO-214AB
(SMCJ) Package**

NOTE: All SMC series are equivalent to prior SMM package identifications.

Also available:

Commercial grade

 [SMCG\(J\)5.0A –
SMCG\(J\)170CAe3](#)

APPLICATIONS / BENEFITS

- High-reliability devices.
- Selections for 5.0 to 170 volts standoff voltages (V_{WM}).
- Protection from switching transients and induced RF.
- Protection from ESD, and EFT per IEC 61000-4-2 and IEC 61000-4-4.
- Secondary lightning protection per IEC61000-4-5 with 42 ohms source impedance:
 - Class 1: MSMC 5.0A to MXLSMC 170A or CA
 - Class 2: MSMC 5.0A to MXLSMC 150A or CA
 - Class 3: MSMC 5.0A to MXLSMC 75A or CA
 - Class 4: MSMC 5.0A to MXLSMC 36A or CA
- Secondary lightning protection per IEC61000-4-5 with 12 ohms source impedance:
 - Class 1: MSMC 5.0A to MXLSMC 90A or CA
 - Class 2: MSMC 5.0A to MXLSMC 45A or CA
 - Class 3: MSMC 5.0A to MXLSMC 24A or CA
 - Class 4: MSMC 5.0A to MXLSMC 11A or CA
- Secondary lightning protection per IEC61000-4-5 with 2 ohms source impedance:
 - Class 2: MSMC 5.0A to MXLSMC 22A or CA
 - Class 3: MSMC 5.0A to MXLSMC 10A or CA

MSC – Lawrence

6 Lake Street,
Lawrence, MA 01841
Tel: 1-800-446-1158 or
(978) 620-2600
Fax: (978) 689-0803

MSC – Ireland

Gort Road Business Park,
Ennis, Co. Clare, Ireland
Tel: +353 (0) 65 6840044
Fax: +353 (0) 65 6822298

Website:

www.microsemi.com

MAXIMUM RATINGS

| Parameters/Test Conditions | Symbol | Value | Unit | |
|--|-------------------------------------|-------------------------|---------------------|----|
| Junction and Storage Temperature | T _J and T _{STG} | -65 to +150 | °C | |
| Thermal Resistance Junction-to-Lead | R _{θJL} | 20 | °C/W | |
| Thermal Resistance Junction-to-Ambient ⁽¹⁾ | R _{θJA} | 80 | °C/W | |
| Peak Pulse Power Dissipation @ 25 °C (at 10/1000 μs, see Figures 1, 2, and 3) | P _{PP} | 1500 | W | |
| Impulse Repetition Rate (duty factor) | df | 0.01 | % | |
| t _{clamping} (0 volts to V _(BR) min.) | t _{clamping} | Unidirectional | <100 | ps |
| | | Bidirectional | <5 | ns |
| Rated Average Power Dissipation | P _{M(AV)} | T _L = +30 °C | 6 | W |
| | | T _A = +25 °C | 1.56 ⁽¹⁾ | |
| Maximum Forward Surge Current ⁽²⁾ | I _{FSM} | 200 | A (pk) | |
| Solder Temperature @ 10 s | T _{SP} | 260 | °C | |

- Notes:** 1. When mounted on FR4 PC board (1oz Cu) with recommended footprint (see [last page](#)).
2. Peak impulse of 8.3 ms half-sine wave at 25 °C (unidirectional only).

MECHANICAL and PACKAGING

- CASE: Void-free transfer molded thermosetting epoxy body meeting UL94V-0.
- TERMINALS: Tin-lead or RoHS compliant annealed matte-tin plating. Solderable to MIL-STD-750, method 2026.
- MARKING: Part number marked on package.
- POLARITY: Cathode indicated by band. No cathode band on bi-directional devices.
- TAPE & REEL option: Standard per EIA-481-2 with 16 mm tape (add "TR" suffix to part number). Consult factory for quantities.
- WEIGHT: Approximately 0.25 grams.
- See [Package Dimensions](#) on last page.

PART NOMENCLATURE



| SYMBOLS & DEFINITIONS | |
|-----------------------|--|
| Symbol | Definition |
| $I_{(BR)}$ | Breakdown Current: The current used for measuring breakdown voltage $V_{(BR)}$. |
| I_D | Standby Current: The current at the rated standoff voltage (V_{WM}). |
| I_F | Forward Current: The forward current dc value, no alternating component. |
| I_O | Average Rectified Output Current: The output current averaged over a full cycle with a 50 Hz or 60 Hz sine-wave input and a 180-degree conduction angle. |
| I_{PP} | Peak Impulse Current: The peak current during the impulse. |
| P_{PP} | Peak Pulse Power: The peak power dissipation resulting from the peak impulse current I_{PP} . |
| V_C | Clamping Voltage: Maximum clamping voltage at specified I_{PP} (Peak Pulse Current) at the specified pulse conditions. |
| $V_{(BR)}$ | Minimum Breakdown Voltage: The minimum voltage the device will exhibit at a specified current. |
| V_{WM} | Working Peak Voltage: The maximum peak voltage that can be applied over the operating temperature range. This is also referred to as standoff voltage. |

ELECTRICAL CHARACTERISTICS @ 25 °C unless otherwise stated

| MICROSEMI PART NUMBER | | REVERSE STAND-OFF VOLTAGE V_{WM} Volts | BREAKDOWN VOLTAGE $V_{(BR)}$ @ $I_{(BR)}$ Volts | | $I_{(BR)}$ mA | MAXIMUM CLAMPING VOLTAGE @ I_{PP} Volts | PEAK PULSE CURRENT (See Fig. 2) I_{PP} Amps | MAXIMUM STANDBY CURRENT @ V_{WM} I_D μA |
|-----------------------|-----------|--|--|------|------------------|---|---|---|
| Gull-Wing | J-Bend | | MIN. | MAX. | | | | |
| MSMCG5.0A | MSMCJ5.0A | 5.0 | 6.40 – 7.00 | 10 | 9.2 | 163.0 | 1000 | |
| MSMCG6.0A | MSMCJ6.0A | 6.0 | 6.67 – 7.37 | 10 | 10.3 | 145.6 | 1000 | |
| MSMCG6.5A | MSMCJ6.5A | 6.5 | 7.22 – 7.98 | 10 | 11.2 | 133.9 | 500 | |
| MSMCG7.0A | MSMCJ7.0A | 7.0 | 7.78 – 8.60 | 10 | 12.0 | 125.0 | 200 | |
| MSMCG7.5A | MSMCJ7.5A | 7.5 | 8.33 – 9.21 | 1 | 12.9 | 116.3 | 100 | |
| MSMCG8.0A | MSMCJ8.0A | 8.0 | 8.89 – 9.83 | 1 | 13.6 | 110.3 | 50 | |
| MSMCG8.5A | MSMCJ8.5A | 8.5 | 9.44 – 10.4 | 1 | 14.4 | 104.2 | 20 | |
| MSMCG9.0A | MSMCJ9.0A | 9.0 | 10.0 – 11.1 | 1 | 15.4 | 97.4 | 10 | |
| MSMCG10A | MSMCJ10A | 10 | 11.1 – 12.3 | 1 | 17.0 | 88.2 | 5 | |
| MSMCG11A | MSMCJ11A | 11 | 12.2 – 13.5 | 1 | 18.2 | 82.4 | 5 | |
| MSMCG12A | MSMCJ12A | 12 | 13.3 – 14.7 | 1 | 19.9 | 75.3 | 5 | |
| MSMCG13A | MSMCJ13A | 13 | 14.4 – 15.9 | 1 | 21.5 | 69.7 | 1 | |
| MSMCG14A | MSMCJ14A | 14 | 15.6 – 17.2 | 1 | 23.2 | 64.7 | 1 | |
| MSMCG15A | MSMCJ15A | 15 | 16.7 – 18.5 | 1 | 24.4 | 61.5 | 1 | |
| MSMCG16A | MSMCJ16A | 16 | 17.8 – 19.7 | 1 | 26.0 | 57.7 | 1 | |
| MSMCG17A | MSMCJ17A | 17 | 18.9 – 20.9 | 1 | 27.6 | 53.3 | 1 | |
| MSMCG18A | MSMCJ18A | 18 | 20.0 – 22.1 | 1 | 29.2 | 51.4 | 1 | |
| MSMCG20A | MSMCJ20A | 20 | 22.2 – 24.5 | 1 | 32.4 | 46.3 | 1 | |
| MSMCG22A | MSMCJ22A | 22 | 24.4 – 26.9 | 1 | 35.5 | 42.2 | 1 | |
| MSMCG24A | MSMCJ24A | 24 | 26.7 – 29.5 | 1 | 38.9 | 38.6 | 1 | |
| MSMCG26A | MSMCJ26A | 26 | 28.9 – 31.9 | 1 | 42.1 | 35.6 | 1 | |
| MSMCG28A | MSMCJ28A | 28 | 31.1 – 34.4 | 1 | 45.4 | 33.0 | 1 | |
| MSMCG30A | MSMCJ30A | 30 | 33.3 – 36.8 | 1 | 48.4 | 31.0 | 1 | |
| MSMCG33A | MSMCJ33A | 33 | 36.7 – 40.6 | 1 | 53.3 | 28.1 | 1 | |
| MSMCG36A | MSMCJ36A | 36 | 40.0 – 44.2 | 1 | 58.1 | 25.8 | 1 | |
| MSMCG40A | MSMCJ40A | 40 | 44.4 – 49.1 | 1 | 64.5 | 23.2 | 1 | |
| MSMCG43A | MSMCJ43A | 43 | 47.8 – 52.8 | 1 | 69.4 | 21.6 | 1 | |
| MSMCG45A | MSMCJ45A | 45 | 50.0 – 55.3 | 1 | 72.7 | 20.6 | 1 | |
| MSMCG48A | MSMCJ48A | 48 | 53.3 – 58.9 | 1 | 77.4 | 19.4 | 1 | |
| MSMCG51A | MSMCJ51A | 51 | 56.7 – 62.7 | 1 | 82.4 | 18.2 | 1 | |
| MSMCG54A | MSMCJ54A | 54 | 60.0 – 66.3 | 1 | 87.1 | 17.2 | 1 | |
| MSMCG58A | MSMCJ58A | 58 | 64.4 – 71.2 | 1 | 93.6 | 16.0 | 1 | |
| MSMCG60A | MSMCJ60A | 60 | 66.7 – 73.7 | 1 | 96.8 | 15.5 | 1 | |
| MSMCG64A | MSMCJ64A | 64 | 71.1 – 78.6 | 1 | 103.0 | 14.6 | 1 | |
| MSMCG70A | MSMCJ70A | 70 | 77.8 – 86.0 | 1 | 113 | 13.3 | 1 | |
| MSMCG75A | MSMCJ75A | 75 | 83.3 – 92.1 | 1 | 121 | 12.4 | 1 | |

Continued.

ELECTRICAL CHARACTERISTICS @ 25 °C unless otherwise stated (continued)

| MICROSEMI PART NUMBER | | REVERSE STAND-OFF VOLTAGE V_{WM} Volts | BREAKDOWN VOLTAGE $V_{(BR)}$ @ $I_{(BR)}$ Volts | | MAXIMUM CLAMPING VOLTAGE @ I_{PP} Volts | PEAK PULSE CURRENT (See Fig. 2) I_{PP} Amps | MAXIMUM STANDBY CURRENT @ V_{WM} I_D μA |
|-----------------------|-----------|--|--|------|---|---|---|
| Gull-Wing | J-Bend | | MIN. | MAX. | | | |
| MSMCG78A | MSMCJ78A | 78 | 86.7 – 95.8 | 1 | 126 | 11.4 | 1 |
| MSMCG85A | MSMCJ85A | 85 | 94.4 – 104.0 | 1 | 137 | 10.4 | 1 |
| MSMCG90A | MSMCJ90A | 90 | 100 – 111 | 1 | 146 | 10.3 | 1 |
| MSMCG100A | MSMCJ100A | 100 | 111 – 123 | 1 | 162 | 9.3 | 1 |
| MSMCG110A | MSMCJ110A | 110 | 122 – 135 | 1 | 177 | 8.4 | 1 |
| MSMCG120A | MSMCJ120A | 120 | 133 – 147 | 1 | 193 | 7.8 | 1 |
| MSMCG130A | MSMCJ130A | 130 | 144 – 159 | 1 | 209 | 7.2 | 1 |
| MSMCG150A | MSMCJ150A | 150 | 167 – 185 | 1 | 243 | 6.2 | 1 |
| MSMCG160A | MSMCJ160A | 160 | 178 – 197 | 1 | 259 | 5.8 | 1 |
| MSMCG170A | MSMCJ170A | 170 | 189 – 209 | 1 | 275 | 5.5 | 1 |

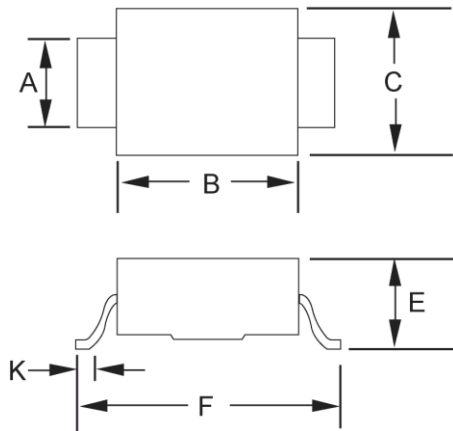
GRAPHS

FIGURE 1 – Peak Pulse Power vs. Pulse Time

FIGURE 2 – Pulse Waveform

FIGURE 3 – Derating Curve

FIGURE 4
Typical Capacitance vs.
Breakdown Voltage (unidirectional configuration)
 NOTE: Bidirectional capacitance is half that shown at zero volts.

PACKAGE DIMENSIONS

SMCG (DO-215AB)

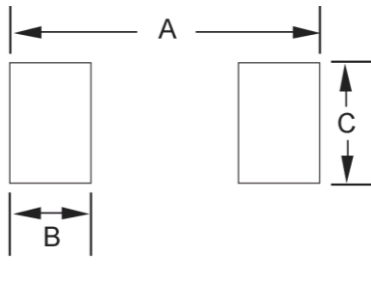
| Ltr | Dimensions | | | |
|----------|------------|------|-------------|-------|
| | Inch | | Millimeters | |
| | Min | Max | Min | Max |
| A | .115 | .121 | 2.92 | 3.07 |
| B | .260 | .280 | 6.60 | 7.11 |
| C | .220 | .245 | 5.59 | 6.22 |
| E | .077 | .110 | 1.95 | 2.80 |
| F | .380 | .400 | 9.65 | 10.16 |
| K | .025 | .040 | 0.635 | 1.016 |

NOTES: Dimension "E" exceeds the JEDEC outline as shown.
Typical Standoff Height: 0.004" – 0.008" (0.1 mm – 0.2 mm).


SMCJ (DO-214AB)

| Ltr | Dimensions | | | |
|----------|------------|------|-------------|------|
| | Inch | | Millimeters | |
| | Min | Max | Min | Max |
| A | .115 | .121 | 2.92 | 3.07 |
| B | .260 | .280 | 6.60 | 7.11 |
| C | .220 | .245 | 5.59 | 6.22 |
| D | .305 | .320 | 7.75 | 8.13 |
| E | .077 | .110 | 1.95 | 2.80 |
| L | .030 | .060 | .760 | 1.52 |

NOTES: Dimension "E" exceeds the JEDEC outline in height as shown.
Typical Standoff Height: 0.004" – 0.008" (0.1 mm – 0.2 mm).

PAD LAYOUT


| SMCG (DO-215AB) | | |
|------------------------|-------------|--------------------|
| Ltr | Inch | Millimeters |
| A | .510 | 12.95 |
| B | .110 | 2.79 |
| C | .150 | 3.81 |

| SMCJ (DO-214AB) | | |
|------------------------|-------------|--------------------|
| Ltr | Inch | Millimeters |
| A | .390 | 9.90 |
| B | .110 | 2.79 |
| C | .150 | 3.81 |



Компания «ЭлектроПласт» предлагает заключение долгосрочных отношений при поставках импортных электронных компонентов на взаимовыгодных условиях!

Наши преимущества:

- Оперативные поставки широкого спектра электронных компонентов отечественного и импортного производства напрямую от производителей и с крупнейших мировых складов;
- Поставка более 17-ти миллионов наименований электронных компонентов;
- Поставка сложных, дефицитных, либо снятых с производства позиций;
- Оперативные сроки поставки под заказ (от 5 рабочих дней);
- Экспресс доставка в любую точку России;
- Техническая поддержка проекта, помощь в подборе аналогов, поставка прототипов;
- Система менеджмента качества сертифицирована по Международному стандарту ISO 9001;
- Лицензия ФСБ на осуществление работ с использованием сведений, составляющих государственную тайну;
- Поставка специализированных компонентов (Xilinx, Altera, Analog Devices, Intersil, Interpoint, Microsemi, Aeroflex, Peregrine, Syfer, Eurofarad, Texas Instrument, Miteq, Cobham, E2V, MA-COM, Hittite, Mini-Circuits, General Dynamics и др.);

Помимо этого, одним из направлений компании «ЭлектроПласт» является направление «Источники питания». Мы предлагаем Вам помощь Конструкторского отдела:

- Подбор оптимального решения, техническое обоснование при выборе компонента;
- Подбор аналогов;
- Консультации по применению компонента;
- Поставка образцов и прототипов;
- Техническая поддержка проекта;
- Защита от снятия компонента с производства.



Как с нами связаться

Телефон: 8 (812) 309 58 32 (многоканальный)

Факс: 8 (812) 320-02-42

Электронная почта: org@eplast1.ru

Адрес: 198099, г. Санкт-Петербург, ул. Калинина, дом 2, корпус 4, литера А.