

Type THAS, ThinPack, Aluminum Electrolytic Capacitor, 105 °C

High Energy Density, REACH and RoHS Compliant



At 9 mm thin, type THAS Thinpack offers the highest energy density available in a low profile aluminum electrolytic. It's ideal for the lowest profile circuits where high capacitance is needed for bulk storage. Look to type THAS to replace arrays of SMT solid tantalum or aluminum electrolytic capacitors.

Highlights

- 9 mm thin
- Very high energy density (up to .9 J/cc)
- 5000 hr life @ 105 °C
- [REACH and RoHS Compliant](#)

Specifications

| Temperature Range | -55 °C to +105 °C ≤300 Vdc; -40 °C to 105 °C ≥500 Vdc | | | | | | | | | | | | | | | | | | | | | | | | | | | | | | | | | | | | | | | | | | | | | | | | | | | | | | | | | | | | | | | | | | | | | | | | | | | | | | | | | | | | | | | | | | | | | | | |
|--|---|-------------------------|------|------|------|------|-------|--|--|------|----|----|----|----|----|----|-----|------------------|------|------|------|------|------|------|------|--------------------|------|------|------|------|------|------|------|--|--|--|--|--|--------------------|------|------|------|------|----------------------------------|------|------|------|------|-----------------------|--|--|--|--|--|--|--|----------------|----|----|-----|-----|------|------|-------|--------------|------|------|------|------|------|------|------|--------------|------|------|------|------|------|------|------|---------------|------|------|------|------|------|------|------|----------------|------|------|------|------|------|------|------|
| Rated Voltage Range | 10 Vdc to 500 Vdc | | | | | | | | | | | | | | | | | | | | | | | | | | | | | | | | | | | | | | | | | | | | | | | | | | | | | | | | | | | | | | | | | | | | | | | | | | | | | | | | | | | | | | | | | | | | | | | |
| Capacitance Range | 40 µF to 18000 µF | | | | | | | | | | | | | | | | | | | | | | | | | | | | | | | | | | | | | | | | | | | | | | | | | | | | | | | | | | | | | | | | | | | | | | | | | | | | | | | | | | | | | | | | | | | | | | | |
| Capacitance Tolerance | ±20% | | | | | | | | | | | | | | | | | | | | | | | | | | | | | | | | | | | | | | | | | | | | | | | | | | | | | | | | | | | | | | | | | | | | | | | | | | | | | | | | | | | | | | | | | | | | | | | |
| Leakage Current | ≤ 0.002 CV µA, @ 25 °C and 5 mins. at rated voltage | | | | | | | | | | | | | | | | | | | | | | | | | | | | | | | | | | | | | | | | | | | | | | | | | | | | | | | | | | | | | | | | | | | | | | | | | | | | | | | | | | | | | | | | | | | | | | | |
| Ripple Current Multipliers | <table border="1"> <thead> <tr> <th colspan="8">Temperature Multipliers</th> </tr> <tr> <th>Temp</th> <th>45</th> <th>55</th> <th>65</th> <th>75</th> <th>85</th> <th>95</th> <th>105</th> </tr> </thead> <tbody> <tr> <td>0-300 VDC</td> <td>1.40</td> <td>1.30</td> <td>1.20</td> <td>1.10</td> <td>1.00</td> <td>0.60</td> <td>0.20</td> </tr> <tr> <td>301-500 VDC</td> <td>1.30</td> <td>1.25</td> <td>1.15</td> <td>1.10</td> <td>1.00</td> <td>0.60</td> <td>0.20</td> </tr> </tbody> </table> <table border="1"> <thead> <tr> <th colspan="5">Ambient Air Temperature Multipliers (No heat sink)</th> </tr> <tr> <th>Air Velocity m/sec</th> <td>0.25</td> <td>1.00</td> <td>2.50</td> <td>5.00</td> </tr> </thead> <tbody> <tr> <td>Ripple Current Multiplier</td> <td>1.00</td> <td>1.20</td> <td>1.50</td> <td>1.70</td> </tr> </tbody> </table> <table border="1"> <thead> <tr> <th colspan="8">Frequency Multipliers</th> </tr> <tr> <th>Rated Vdc/Freq</th> <th>50</th> <th>60</th> <th>120</th> <th>360</th> <th>1000</th> <th>5000</th> <th>20000</th> </tr> </thead> <tbody> <tr> <td>10-35</td> <td>0.72</td> <td>0.77</td> <td>1.00</td> <td>1.06</td> <td>1.06</td> <td>1.10</td> <td>1.10</td> </tr> <tr> <td>36-60</td> <td>0.70</td> <td>0.75</td> <td>1.00</td> <td>1.06</td> <td>1.10</td> <td>1.20</td> <td>1.20</td> </tr> <tr> <td>61-100</td> <td>0.70</td> <td>0.75</td> <td>1.00</td> <td>1.06</td> <td>1.10</td> <td>1.30</td> <td>1.30</td> </tr> <tr> <td>101-500</td> <td>0.70</td> <td>0.75</td> <td>1.00</td> <td>1.20</td> <td>1.45</td> <td>1.70</td> <td>1.70</td> </tr> </tbody> </table> | Temperature Multipliers | | | | | | | | Temp | 45 | 55 | 65 | 75 | 85 | 95 | 105 | 0-300 VDC | 1.40 | 1.30 | 1.20 | 1.10 | 1.00 | 0.60 | 0.20 | 301-500 VDC | 1.30 | 1.25 | 1.15 | 1.10 | 1.00 | 0.60 | 0.20 | Ambient Air Temperature Multipliers (No heat sink) | | | | | Air Velocity m/sec | 0.25 | 1.00 | 2.50 | 5.00 | Ripple Current Multiplier | 1.00 | 1.20 | 1.50 | 1.70 | Frequency Multipliers | | | | | | | | Rated Vdc/Freq | 50 | 60 | 120 | 360 | 1000 | 5000 | 20000 | 10-35 | 0.72 | 0.77 | 1.00 | 1.06 | 1.06 | 1.10 | 1.10 | 36-60 | 0.70 | 0.75 | 1.00 | 1.06 | 1.10 | 1.20 | 1.20 | 61-100 | 0.70 | 0.75 | 1.00 | 1.06 | 1.10 | 1.30 | 1.30 | 101-500 | 0.70 | 0.75 | 1.00 | 1.20 | 1.45 | 1.70 | 1.70 |
| Temperature Multipliers | | | | | | | | | | | | | | | | | | | | | | | | | | | | | | | | | | | | | | | | | | | | | | | | | | | | | | | | | | | | | | | | | | | | | | | | | | | | | | | | | | | | | | | | | | | | | | | | |
| Temp | 45 | 55 | 65 | 75 | 85 | 95 | 105 | | | | | | | | | | | | | | | | | | | | | | | | | | | | | | | | | | | | | | | | | | | | | | | | | | | | | | | | | | | | | | | | | | | | | | | | | | | | | | | | | | | | | | | | | |
| 0-300 VDC | 1.40 | 1.30 | 1.20 | 1.10 | 1.00 | 0.60 | 0.20 | | | | | | | | | | | | | | | | | | | | | | | | | | | | | | | | | | | | | | | | | | | | | | | | | | | | | | | | | | | | | | | | | | | | | | | | | | | | | | | | | | | | | | | | | |
| 301-500 VDC | 1.30 | 1.25 | 1.15 | 1.10 | 1.00 | 0.60 | 0.20 | | | | | | | | | | | | | | | | | | | | | | | | | | | | | | | | | | | | | | | | | | | | | | | | | | | | | | | | | | | | | | | | | | | | | | | | | | | | | | | | | | | | | | | | | |
| Ambient Air Temperature Multipliers (No heat sink) | | | | | | | | | | | | | | | | | | | | | | | | | | | | | | | | | | | | | | | | | | | | | | | | | | | | | | | | | | | | | | | | | | | | | | | | | | | | | | | | | | | | | | | | | | | | | | | | |
| Air Velocity m/sec | 0.25 | 1.00 | 2.50 | 5.00 | | | | | | | | | | | | | | | | | | | | | | | | | | | | | | | | | | | | | | | | | | | | | | | | | | | | | | | | | | | | | | | | | | | | | | | | | | | | | | | | | | | | | | | | | | | | |
| Ripple Current Multiplier | 1.00 | 1.20 | 1.50 | 1.70 | | | | | | | | | | | | | | | | | | | | | | | | | | | | | | | | | | | | | | | | | | | | | | | | | | | | | | | | | | | | | | | | | | | | | | | | | | | | | | | | | | | | | | | | | | | | |
| Frequency Multipliers | | | | | | | | | | | | | | | | | | | | | | | | | | | | | | | | | | | | | | | | | | | | | | | | | | | | | | | | | | | | | | | | | | | | | | | | | | | | | | | | | | | | | | | | | | | | | | | | |
| Rated Vdc/Freq | 50 | 60 | 120 | 360 | 1000 | 5000 | 20000 | | | | | | | | | | | | | | | | | | | | | | | | | | | | | | | | | | | | | | | | | | | | | | | | | | | | | | | | | | | | | | | | | | | | | | | | | | | | | | | | | | | | | | | | | |
| 10-35 | 0.72 | 0.77 | 1.00 | 1.06 | 1.06 | 1.10 | 1.10 | | | | | | | | | | | | | | | | | | | | | | | | | | | | | | | | | | | | | | | | | | | | | | | | | | | | | | | | | | | | | | | | | | | | | | | | | | | | | | | | | | | | | | | | | |
| 36-60 | 0.70 | 0.75 | 1.00 | 1.06 | 1.10 | 1.20 | 1.20 | | | | | | | | | | | | | | | | | | | | | | | | | | | | | | | | | | | | | | | | | | | | | | | | | | | | | | | | | | | | | | | | | | | | | | | | | | | | | | | | | | | | | | | | | |
| 61-100 | 0.70 | 0.75 | 1.00 | 1.06 | 1.10 | 1.30 | 1.30 | | | | | | | | | | | | | | | | | | | | | | | | | | | | | | | | | | | | | | | | | | | | | | | | | | | | | | | | | | | | | | | | | | | | | | | | | | | | | | | | | | | | | | | | | |
| 101-500 | 0.70 | 0.75 | 1.00 | 1.20 | 1.45 | 1.70 | 1.70 | | | | | | | | | | | | | | | | | | | | | | | | | | | | | | | | | | | | | | | | | | | | | | | | | | | | | | | | | | | | | | | | | | | | | | | | | | | | | | | | | | | | | | | | | |
| Low Temperature Characteristics | Impedance ratio: $Z_{-55^{\circ}\text{C}}/Z_{+25^{\circ}\text{C}}$ @120 Hz ≤10 (5 - 20 Vdc), ≤3 (25 - 300 Vdc) $Z_{-40^{\circ}\text{C}}/Z_{+25^{\circ}\text{C}}$ @120 Hz ≤10 (≥350 Vdc) | | | | | | | | | | | | | | | | | | | | | | | | | | | | | | | | | | | | | | | | | | | | | | | | | | | | | | | | | | | | | | | | | | | | | | | | | | | | | | | | | | | | | | | | | | | | | | | |
| DC Life Test | 5000 h @ rated voltage at 105 °C Δ Capacitance ±20% (<50 Vdc), Δ Capacitance ±10% (≥50 Vdc) ESR 200% of limit DCL 100% of limit ΔThickness 0.5mm max | | | | | | | | | | | | | | | | | | | | | | | | | | | | | | | | | | | | | | | | | | | | | | | | | | | | | | | | | | | | | | | | | | | | | | | | | | | | | | | | | | | | | | | | | | | | | | | |
| Shelf Life Test | 5 yrs @ 40 °C Capacitance 100% of limit ESR 100% of limit DCL ≤ 0.004 CV µA | | | | | | | | | | | | | | | | | | | | | | | | | | | | | | | | | | | | | | | | | | | | | | | | | | | | | | | | | | | | | | | | | | | | | | | | | | | | | | | | | | | | | | | | | | | | | | | |

Type THAS, ThinPack, Aluminum Electrolytic Capacitor, 105 °C

| Vibration <i>Mounting: Vibration capability is dependent upon mounting restraint.</i> | All Sizes = 10g | | | | | | | | | | | | | | | | | | | | | | | | | | | | | | | | | | |
|---|--|---|------------------|---|------------------|--|--|------------------------------|-------------------|------------------|------------------|------------------|------------------|-----------------|----------|------|------|------|------|-----------|------|------|------|------|-------------------|----------|------|------|------|------|-----------|------|------|------|------|
| Vibration Test | <p>Level The specimens, while deenergized or operating under the load conditions specified, shall be subjected to the vibration amplitude, frequency range, and duration specified for each case size.</p> <p>Amplitude The specimens shall be subjected to a simple harmonic motion having an amplitude of either 0.06-inch double amplitude (maximum total excursion) or peak level specified above, whichever is less. The tolerance on vibration amplitude shall be ±10 percent.</p> <p>Frequency Range The vibration frequency shall be varied logarithmically between the approximate limits of 10 to 2,000 Hz.</p> <p>Sweep Time and Duration The entire frequency range of 10 to 2,000 Hz and return to 10 Hz shall be traversed in 20 minutes. This cycle shall be performed 12 times in each of three mutually perpendicular directions (total of 36 times), so that the motion shall be applied for a total period of approximately 12 hours. Interruptions are permitted provided the requirements for rate of change and test duration are met.</p> | | | | | | | | | | | | | | | | | | | | | | | | | | | | | | | | | | |
| Thermal Resistance | <table border="1"> <thead> <tr> <th colspan="2"></th> <th colspan="4">Thermal Resistance (°C/W) by Case Length</th> </tr> <tr> <th># of Sides heatsinked</th> <th>Insulation</th> <th>36.4 (mm)</th> <th>45.9 (mm)</th> <th>53.8 (mm)</th> <th>66.5 (mm)</th> </tr> </thead> <tbody> <tr> <td rowspan="2">One Side</td> <td>Bare can</td> <td>6.60</td> <td>5.20</td> <td>4.44</td> <td>3.60</td> </tr> <tr> <td>Polyester</td> <td>7.78</td> <td>6.13</td> <td>5.24</td> <td>4.24</td> </tr> <tr> <td rowspan="2">Both Sides</td> <td>Bare can</td> <td>4.95</td> <td>3.87</td> <td>3.30</td> <td>2.66</td> </tr> <tr> <td>Polyester</td> <td>5.54</td> <td>4.34</td> <td>3.70</td> <td>2.98</td> </tr> </tbody> </table> | | | Thermal Resistance (°C/W) by Case Length | | | | # of Sides heatsinked | Insulation | 36.4 (mm) | 45.9 (mm) | 53.8 (mm) | 66.5 (mm) | One Side | Bare can | 6.60 | 5.20 | 4.44 | 3.60 | Polyester | 7.78 | 6.13 | 5.24 | 4.24 | Both Sides | Bare can | 4.95 | 3.87 | 3.30 | 2.66 | Polyester | 5.54 | 4.34 | 3.70 | 2.98 |
| | | Thermal Resistance (°C/W) by Case Length | | | | | | | | | | | | | | | | | | | | | | | | | | | | | | | | | |
| # of Sides heatsinked | Insulation | 36.4 (mm) | 45.9 (mm) | 53.8 (mm) | 66.5 (mm) | | | | | | | | | | | | | | | | | | | | | | | | | | | | | | |
| One Side | Bare can | 6.60 | 5.20 | 4.44 | 3.60 | | | | | | | | | | | | | | | | | | | | | | | | | | | | | | |
| | Polyester | 7.78 | 6.13 | 5.24 | 4.24 | | | | | | | | | | | | | | | | | | | | | | | | | | | | | | |
| Both Sides | Bare can | 4.95 | 3.87 | 3.30 | 2.66 | | | | | | | | | | | | | | | | | | | | | | | | | | | | | | |
| | Polyester | 5.54 | 4.34 | 3.70 | 2.98 | | | | | | | | | | | | | | | | | | | | | | | | | | | | | | |
| Typical Weight | Case AA - 19g, Case AB - 22g, Case AC - 26g, Case AD - 34g | | | | | | | | | | | | | | | | | | | | | | | | | | | | | | | | | | |
| Terminals | 20 AWG copper wire with tin electroplate, 15 amps max | | | | | | | | | | | | | | | | | | | | | | | | | | | | | | | | | | |
| Case Material | Aluminum with a Stainless Steel Sleeve | | | | | | | | | | | | | | | | | | | | | | | | | | | | | | | | | | |
| Ripple Current Capability | The max ripple current capability is set by the target core temperature of 105 °C. The Peak to Peak ac must be less than Vr/5 max. | | | | | | | | | | | | | | | | | | | | | | | | | | | | | | | | | | |
| Air Cooled | The ripple currents in the ratings tables are for 85 °C ambient temperatures. | | | | | | | | | | | | | | | | | | | | | | | | | | | | | | | | | | |
| Heatsink Cooled | <p>Temperature rise from the hottest internal spot, the core, to ambient air is</p> $\Delta T = I^2(\text{Max ESR})(\theta_{cc} + \theta_{ca}),$ <p>recommended max ΔT of 20 °C where θ_{cc} is the thermal resistance from core to case and θ_{ca} from case to ambient. To calculate maximum ripple capability with the THAS attached to a heatsink use the maximum core temperature and the values for θ_{cc}.</p> | | | | | | | | | | | | | | | | | | | | | | | | | | | | | | | | | | |
| Example | <p>As an illustration, suppose you operate an noninsulated THAS112M060AA0C in 85 °C air and attach it to a commercial heatsink with a free-air thermal resistance of 2.7 °C/W. Use a good thermal grease between the capacitor and the heatsink, and the total thermal resistance is 2.7 + 6.6 or 9.3 °C/W. The power which would heat the core to 105 °C is (105 - 85)/9.3 or 2.15 W. For an ESR of 117 mΩ, 2.15 W equates to a ripple current of 4.28 A.</p> | | | | | | | | | | | | | | | | | | | | | | | | | | | | | | | | | | |

Type THAS, ThinPack, Aluminum Electrolytic Capacitor, 105 °C

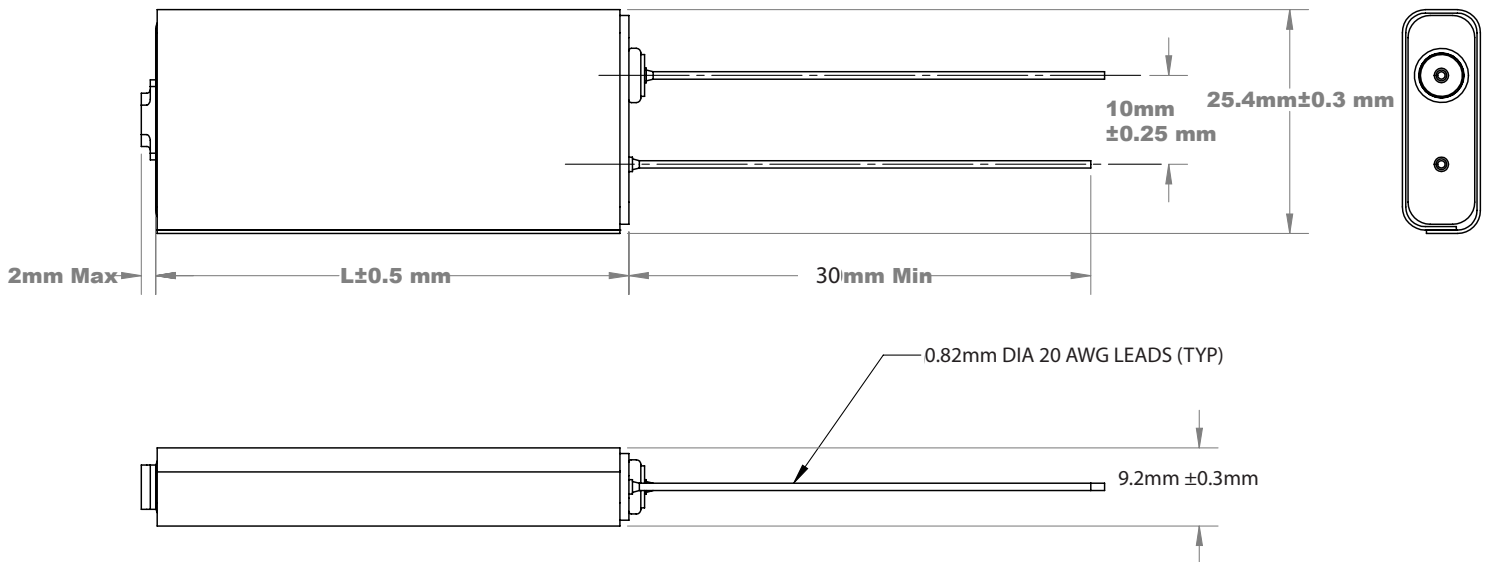
Part Numbering System

| THAS | 412 | M | 025 | AA | 0 | C |
|------|--|---------------|--|--|------------------------------|----------------|
| Type | Capacitance | Tolerance | Rated Voltage | Case Code | Insulation | Mounting Style |
| THAS | 322 = 3200 μ F 222 = 2200 μ F 162 = 1600 μ F | M = \pm 20% | 025 = 25 Vdc 075 = 75 Vdc 150 = 150 Vdc 200 = 200 Vdc | AA = 36.4 mm AB = 45.9 mm AC = 53.8 mm AD = 66.5 mm | 0 = bare can 1 = polywrap | C = two leads |

Outline Drawing

Note: The polyester tape wrap may add up to 0.020 inches to the thickness and width of the capacitor.

Style C: No Tabs



Type THAS, ThinPack, Aluminum Electrolytic Capacitor, 105 °C

Ratings

| Voltage | Cap (µF) | Catalog Part Number | Length (L) | ESR max 25 °C (Ω) | | Ripple (A) Case @ 85 °C | |
|---|----------|---------------------|------------|-------------------|--------|-------------------------|--------|
| | | | | 120 Hz | 20 kHz | 120 Hz | 20 kHz |
| 10 Vdc @ 105 °C 12 Vdc Surge @ 25 °C | 8500 | THAS852M010AA0C | 36.4 | 0.12 | 0.09 | 2.00 | 2.20 |
| | 11000 | THAS113M010AB0C | 45.9 | 0.08 | 0.07 | 2.00 | 2.20 |
| | 14000 | THAS143M010AC0C | 53.8 | 0.07 | 0.06 | 2.60 | 2.86 |
| | 18000 | THAS183M010AD0C | 66.5 | 0.05 | 0.04 | 3.50 | 3.85 |
| 16 Vdc @ 105 °C 19.2 Vdc Surge @ 25 °C | 5900 | THAS592M016AA0C | 36.4 | 0.12 | 0.09 | 2.00 | 2.20 |
| | 8200 | THAS822M016AB0C | 45.9 | 0.08 | 0.07 | 2.20 | 2.42 |
| | 10000 | THAS103M016AC0C | 53.8 | 0.07 | 0.06 | 2.60 | 2.86 |
| | 13000 | THAS133M016AD0C | 66.5 | 0.05 | 0.04 | 3.50 | 3.85 |
| 20 Vdc @ 105 °C 24 Vdc Surge @ 25 °C | 5000 | THAS502M020AA0C | 36.4 | 0.12 | 0.09 | 2.00 | 2.20 |
| | 7000 | THAS702M020AB0C | 45.9 | 0.08 | 0.07 | 2.20 | 2.42 |
| | 8200 | THAS822M020AC0C | 53.8 | 0.07 | 0.06 | 2.60 | 2.86 |
| | 10000 | THAS103M020AD0C | 66.5 | 0.05 | 0.04 | 3.50 | 3.85 |
| 25 Vdc @ 105 °C 30 Vdc Surge @ 25 °C | 3500 | THAS352M025AA0C | 36.4 | 0.12 | 0.09 | 2.00 | 2.20 |
| | 4900 | THAS492M025AB0C | 45.9 | 0.08 | 0.07 | 2.60 | 2.86 |
| | 6000 | THAS602M025AC0C | 53.8 | 0.07 | 0.06 | 2.50 | 2.75 |
| | 7800 | THAS782M025AD0C | 66.5 | 0.05 | 0.04 | 3.10 | 3.41 |
| 30 Vdc @ 105 °C 36 Vdc Surge @ 25 °C | 2900 | THAS292M030AA0C | 36.4 | 0.12 | 0.09 | 2.00 | 2.20 |
| | 4100 | THAS412M030AB0C | 45.9 | 0.08 | 0.07 | 2.60 | 2.86 |
| | 5000 | THAS502M030AC0C | 53.8 | 0.07 | 0.06 | 3.00 | 3.30 |
| | 6500 | THAS652M030AD0C | 66.5 | 0.05 | 0.04 | 3.50 | 3.85 |
| 35 Vdc @ 105 °C 42 Vdc Surge @ 25 °C | 2500 | THAS252M035AA0C | 36.4 | 0.12 | 0.09 | 2.00 | 2.20 |
| | 3500 | THAS352M035AB0C | 45.9 | 0.08 | 0.07 | 2.60 | 2.86 |
| | 4300 | THAS432M035AC0C | 53.8 | 0.07 | 0.06 | 3.00 | 3.30 |
| | 5600 | THAS562M035AD0C | 66.5 | 0.05 | 0.04 | 3.60 | 3.96 |
| 40 Vdc @ 105 °C 48 Vdc Surge @ 25 °C | 2100 | THAS212M040AA0C | 36.4 | 0.12 | 0.09 | 1.70 | 2.04 |
| | 3000 | THAS302M040AB0C | 45.9 | 0.08 | 0.07 | 2.20 | 2.64 |
| | 3700 | THAS372M040AC0C | 53.8 | 0.07 | 0.06 | 2.50 | 3.00 |
| | 4800 | THAS482M040AD0C | 66.5 | 0.05 | 0.04 | 3.10 | 3.72 |
| 50 Vdc @ 105 °C 60 Vdc Surge @ 25 °C | 1400 | THAS142M050AA0C | 36.4 | 0.12 | 0.09 | 1.70 | 2.04 |
| | 2000 | THAS202M050AB0C | 45.9 | 0.08 | 0.07 | 2.20 | 2.64 |
| | 2500 | THAS252M050AC0C | 53.8 | 0.07 | 0.06 | 2.50 | 3.00 |
| | 3200 | THAS322M050AD0C | 66.5 | 0.05 | 0.04 | 2.90 | 3.48 |
| 60 Vdc @ 105 °C 72 Vdc Surge @ 25 °C | 1100 | THAS112M060AA0C | 36.4 | 0.12 | 0.09 | 1.70 | 2.04 |
| | 1600 | THAS162M060AB0C | 45.9 | 0.08 | 0.07 | 2.20 | 2.64 |
| | 2000 | THAS202M060AC0C | 53.8 | 0.07 | 0.06 | 2.50 | 3.00 |
| | 2600 | THAS262M060AD0C | 66.5 | 0.05 | 0.04 | 3.10 | 3.72 |
| 75 Vdc @ 105 °C 90 Vdc Surge @ 25 °C | 680 | THAS681M075AA0C | 36.4 | 0.29 | 0.19 | 1.10 | 1.43 |
| | 940 | THAS941M075AB0C | 45.9 | 0.21 | 0.14 | 1.40 | 1.82 |
| | 1100 | THAS112M075AC0C | 53.8 | 0.17 | 0.11 | 1.60 | 2.08 |
| | 1500 | THAS152M075AD0C | 66.5 | 0.13 | 0.09 | 2.00 | 2.60 |
| 100 Vdc @ 105 °C 120 Vdc Surge @ 25 °C | 310 | THAS311M100AA0C | 36.4 | 0.29 | 0.19 | 1.10 | 1.43 |
| | 430 | THAS431M100AB0C | 45.9 | 0.21 | 0.14 | 1.40 | 1.82 |
| | 530 | THAS531M100AC0C | 53.8 | 0.17 | 0.11 | 1.60 | 2.08 |
| | 690 | THAS691M100AD0C | 66.5 | 0.13 | 0.09 | 2.00 | 2.60 |

Type THAS, ThinPack, Aluminum Electrolytic Capacitor, 105 °C

| Voltage | Cap (µF) | Catalog Part Number | Length (L) | ESR max 25 °C (Ω) | | Ripple (A) Case @ 85 °C | |
|---|----------|---------------------|------------|-------------------|--------|-------------------------|--------|
| | | | | 120 Hz | 20 kHz | 120 Hz | 20 kHz |
| 150 Vdc @ 105 °C 180 Vdc Surge @ 25 °C | 230 | THAS231M150AAOC | 36.4 | 0.80 | 0.40 | 0.60 | 1.02 |
| | 320 | THAS321M150ABOC | 45.9 | 0.58 | 0.29 | 0.80 | 1.36 |
| | 400 | THAS401M150ACOC | 53.8 | 0.47 | 0.24 | 1.00 | 1.70 |
| | 520 | THAS521M150ADOC | 66.5 | 0.37 | 0.18 | 1.20 | 2.04 |
| 200 Vdc @ 105 °C 240 Vdc Surge @ 25 °C | 120 | THAS121M200AAOC | 36.4 | 0.90 | 0.45 | 0.60 | 1.02 |
| | 170 | THAS171M200ABOC | 45.9 | 0.65 | 0.33 | 0.80 | 1.36 |
| | 210 | THAS211M200ACOC | 53.8 | 0.53 | 0.27 | 0.90 | 1.53 |
| | 270 | THAS271M200ADOC | 66.5 | 0.41 | 0.21 | 1.10 | 1.87 |
| 250 Vdc @ 105 °C 300 Vdc Surge @ 25 °C | 110 | THAS111M250AAOC | 36.4 | 0.90 | 0.45 | 0.60 | 1.02 |
| | 150 | THAS151M250ABOC | 45.9 | 0.65 | 0.33 | 0.80 | 1.36 |
| | 190 | THAS191M250ACOC | 53.8 | 0.53 | 0.27 | 0.90 | 1.53 |
| | 250 | THAS251M250ADOC | 66.5 | 0.41 | 0.21 | 1.10 | 1.87 |
| 300 Vdc @ 105 °C 350 Vdc Surge @ 25 °C | 90 | THAS900M300AAOC | 36.4 | 0.90 | 0.45 | 0.60 | 1.02 |
| | 130 | THAS131M300ABOC | 45.9 | 0.65 | 0.33 | 0.80 | 1.36 |
| | 160 | THAS161M300ACOC | 53.8 | 0.53 | 0.27 | 0.90 | 1.53 |
| | 200 | THAS201M300ADOC | 66.5 | 0.41 | 0.21 | 1.10 | 1.87 |
| 350 Vdc @ 105 °C 400 Vdc Surge @ 25 °C | 80 | THAS800M350AAOC | 36.4 | 2.45 | 1.18 | 0.60 | 1.02 |
| | 110 | THAS111M350ABOC | 45.9 | 1.78 | 0.85 | 0.60 | 1.02 |
| | 130 | THAS131M350ACOC | 53.8 | 1.45 | 0.70 | 0.70 | 1.19 |
| | 170 | THAS171M350ADOC | 66.5 | 1.12 | 0.54 | 0.80 | 1.36 |
| 400 Vdc @ 105 °C 450 Vdc Surge @ 25 °C | 70 | THAS700M400AAOC | 36.4 | 2.45 | 1.18 | 0.60 | 1.02 |
| | 90 | THAS900M400ABOC | 45.9 | 1.78 | 0.85 | 0.60 | 1.02 |
| | 110 | THAS111M400ACOC | 53.8 | 1.45 | 0.70 | 0.70 | 1.19 |
| | 140 | THAS141M400ADOC | 66.5 | 1.12 | 0.54 | 0.80 | 1.36 |
| 450 Vdc @ 105 °C 500 Vdc Surge @ 25 °C | 60 | THAS600M450AAOC | 36.4 | 2.45 | 1.18 | 0.60 | 1.02 |
| | 80 | THAS800M450ABOC | 45.9 | 1.78 | 0.85 | 0.60 | 1.02 |
| | 100 | THAS101M450ACOC | 53.8 | 1.45 | 0.70 | 0.70 | 1.19 |
| | 130 | THAS131M450ADOC | 66.5 | 1.12 | 0.54 | 0.80 | 1.36 |
| 500 Vdc @ 105 °C 550 Vdc Surge @ 25 °C | 40 | THAS400M500AAOC | 36.3 | 5.61 | 2.81 | 0.30 | 0.51 |
| | 50 | THAS500M500ABOC | 45.9 | 4.07 | 2.04 | 0.40 | 0.68 |
| | 70 | THAS700M500ACOC | 53.8 | 3.32 | 1.66 | 0.50 | 0.85 |
| | 90 | THAS900M500ADOC | 66.5 | 2.56 | 1.28 | 0.50 | 0.85 |

Typical Performance Curves

Type THAS Operating Life in Kilohours vs Ripple Current



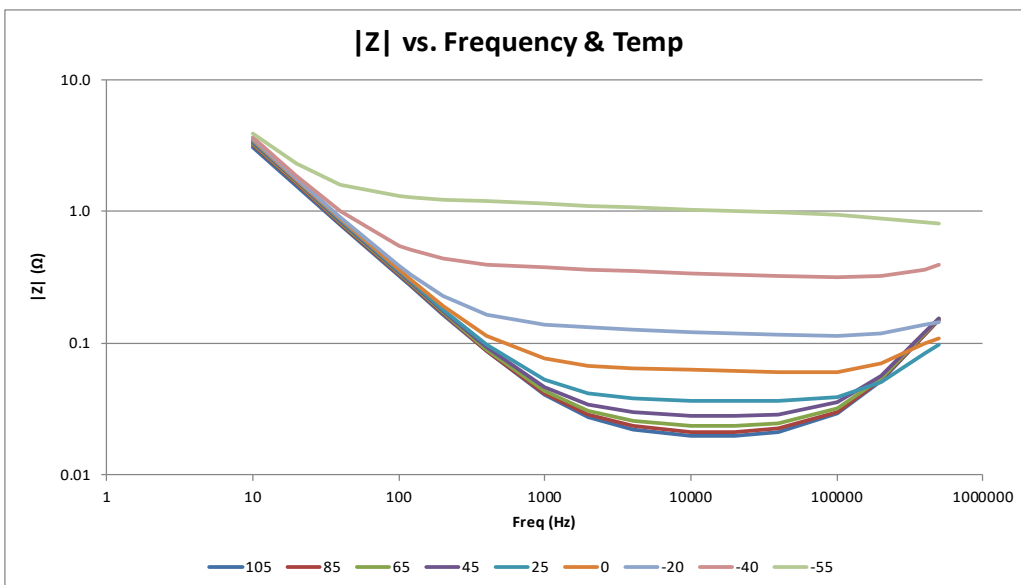
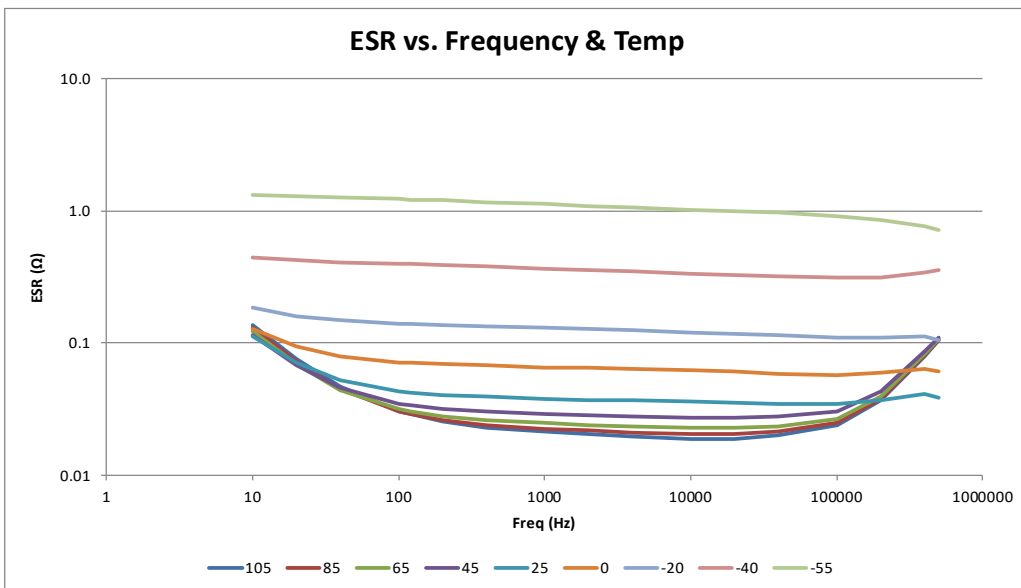
Type THAS Operating Life in Years vs Ripple Current



Type THAS, ThinPack, Aluminum Electrolytic Capacitor, 105 °C

Typical Performance Curves

THAS502M020AA0C



Notice and Disclaimer: All product drawings, descriptions, specifications, statements, information and data (collectively, the "Information") in this datasheet or other publication are subject to change. The customer is responsible for checking, confirming and verifying the extent to which the Information contained in this datasheet or other publication is applicable to an order at the time the order is placed. All Information given herein is believed to be accurate and reliable, but it is presented without any guarantee, warranty, representation or responsibility of any kind, expressed or implied. Statements of suitability for certain applications are based on the knowledge that the Cornell Dubilier company providing such statements ("Cornell Dubilier") has of operating conditions that such Cornell Dubilier company regards as typical for such applications, but are not intended to constitute any guarantee, warranty or representation regarding any such matter – and Cornell Dubilier specifically and expressly disclaims any guarantee, warranty or representation concerning the suitability for a specific customer application, use, storage, transportation, or operating environment. The Information is intended for use only by customers who have the requisite experience and capability to determine the correct products for their application. Any technical advice inferred from this Information or otherwise provided by Cornell Dubilier with reference to the use of any Cornell Dubilier products is given gratis (unless otherwise specified by Cornell Dubilier), and Cornell Dubilier assumes no obligation or liability for the advice given or results obtained. Although Cornell Dubilier strives to apply the most stringent quality and safety standards regarding the design and manufacturing of its products, in light of the current state of the art, isolated component failures may still occur. Accordingly, customer applications which require a high degree of reliability or safety should employ suitable designs or other safeguards (such as installation of protective circuitry or redundancies or other appropriate protective measures) in order to ensure that the failure of an electrical component does not result in a risk of personal injury or property damage. Although all product-related warnings, cautions and notes must be observed, the customer should not assume that all safety measures are indicated in such warnings, cautions and notes, or that other safety measures may not be required.



Компания «ЭлектроПласт» предлагает заключение долгосрочных отношений при поставках импортных электронных компонентов на взаимовыгодных условиях!

Наши преимущества:

- Оперативные поставки широкого спектра электронных компонентов отечественного и импортного производства напрямую от производителей и с крупнейших мировых складов;
- Поставка более 17-ти миллионов наименований электронных компонентов;
- Поставка сложных, дефицитных, либо снятых с производства позиций;
- Оперативные сроки поставки под заказ (от 5 рабочих дней);
- Экспресс доставка в любую точку России;
- Техническая поддержка проекта, помощь в подборе аналогов, поставка прототипов;
- Система менеджмента качества сертифицирована по Международному стандарту ISO 9001;
- Лицензия ФСБ на осуществление работ с использованием сведений, составляющих государственную тайну;
- Поставка специализированных компонентов (Xilinx, Altera, Analog Devices, Intersil, Interpoint, Microsemi, Aeroflex, Peregrine, Syfer, Eurofarad, Texas Instrument, Miteq, Cobham, E2V, MA-COM, Hittite, Mini-Circuits, General Dynamics и др.);

Помимо этого, одним из направлений компании «ЭлектроПласт» является направление «Источники питания». Мы предлагаем Вам помощь Конструкторского отдела:

- Подбор оптимального решения, техническое обоснование при выборе компонента;
- Подбор аналогов;
- Консультации по применению компонента;
- Поставка образцов и прототипов;
- Техническая поддержка проекта;
- Защита от снятия компонента с производства.



Как с нами связаться

Телефон: 8 (812) 309 58 32 (многоканальный)

Факс: 8 (812) 320-02-42

Электронная почта: org@eplast1.ru

Адрес: 198099, г. Санкт-Петербург, ул. Калинина, дом 2, корпус 4, литера А.