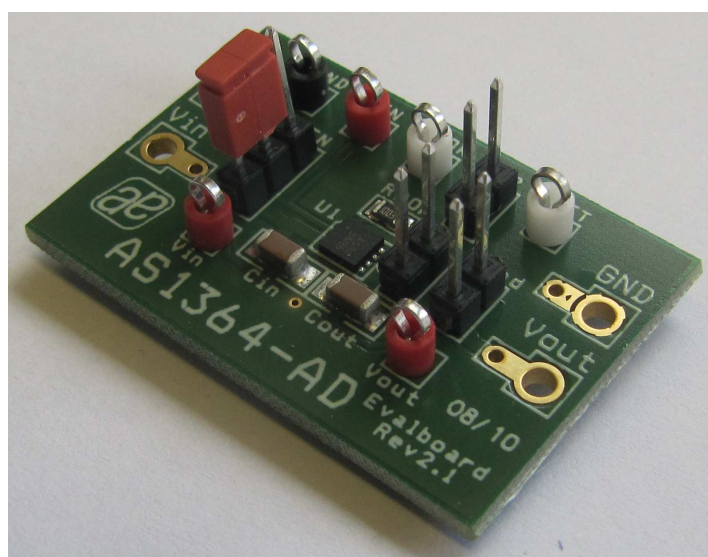
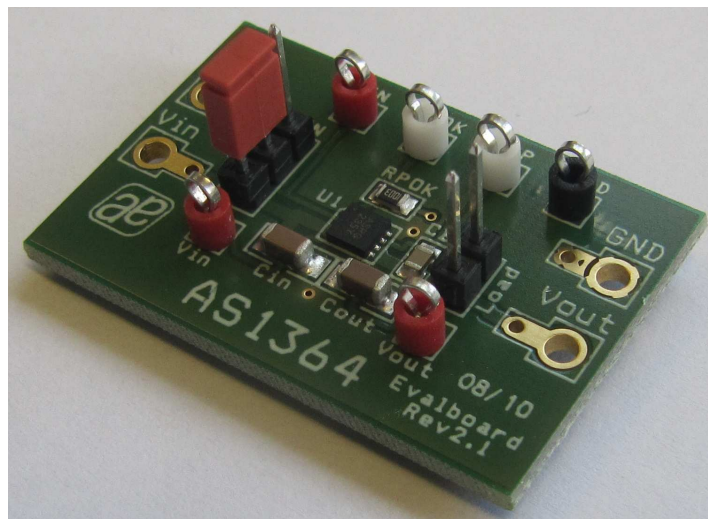


Demo Board Manual

AS1364

1A, Low-Dropout Linear Voltage Regulator

www.austriamicrosystems.com/LDO/AS1364



General Description

Board Description

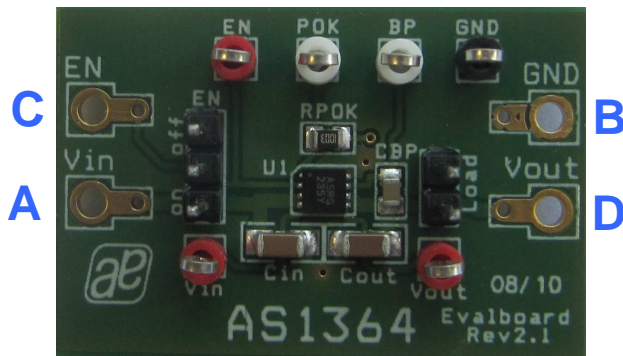


Figure 1: Board Description - Connectors

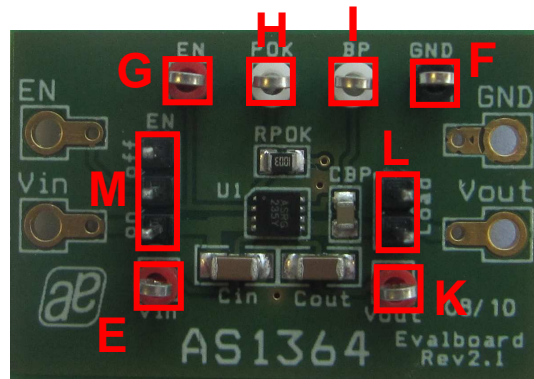
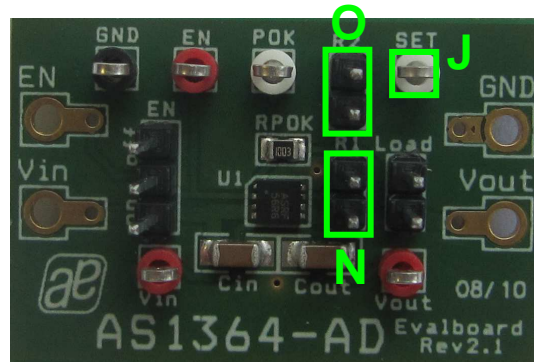
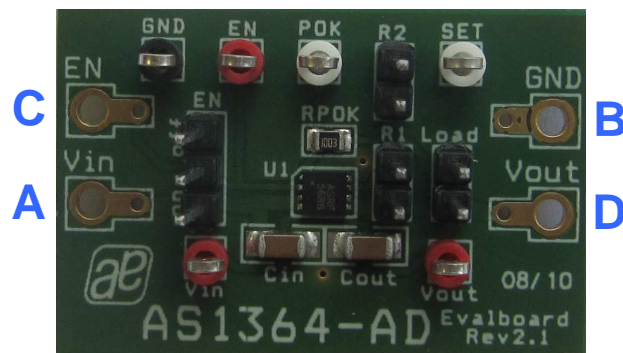


Figure 2: Board Description – Measurement Points



Connector Description

Label	Name	Description	Info
A	VIN	Supply Voltage	Supply voltage range from 2.0V to 5.5V
B	GND	Ground	
C	EN	Active High Enable Input	Set the digital input "high" for normal operation. For shutdown, set "low"
D	VOUT	Output Voltage	Output voltage range from 1.2V to 4.5V (fixed) Output voltage range from 1.2V to 5.3V (adjustable)

Measurement Point Description

Label	Name	Description	Info
E	VIN	Supply Voltage	Measurement Points
F	GND	Ground	
G	EN	Active High Enable Input	
H	POK	Open Drain POK Output	
I	BP	BP (fixed Vout version)	
J	SET	SET (adjustable Vout version)	
K	VOUT	Output Voltage	
L	Load	External load	
M	EN	Enable	<input type="checkbox"/> ON: The AS1364 is enabled <input type="checkbox"/> OFF: The AS1364 is disabled <input type="checkbox"/> No Jumper: Connect a valid enable signal via external connector "C".
N	R1	Resistor divider for adjustable Vout version	R1 between Vout and SET R2 between SET and GND
O	R2		

Getting Started

The AS1364 Demoboard is designed to work with the AS1364 fixed output voltage version.
The AS1364 fixed Vout version is available with 1.5V, 1.8V, 3.0V, 3.3V and 4.5V.

The AS1364-AD Demoboard is designed to work with the AS1364 adjustable output voltage version.
The AS1364-AD adjustable Vout version has a valid Vout range from 1.2V to 5.3V. This Vout is adjustable via the resistor divider R1/R2. A value for R2 in the range of 25k Ω to 100k Ω should be sufficient.
To use the factory preset Vout of 3.3V connect SET directly to GND (R1 = open; R2 = 0 Ω).

Bill of Materials

Ref.	Function	Value	Description	Manufacturer	Mfg. Order Nr.
Cin	Input Capacitor	4.7 μ F	1206 / X7R / 16V	diverse	
Cout	Output Capacitor	4.7 μ F	1206 / X7R / 16V	diverse	
CBP*	Bypass Capacitor	10nF	0805/X7R	diverse	
RPOK	POK pull-up resistor	100k Ω	0805	diverse	
U1	LDO	ASRx	8pin TDFN 3x3	Austriamicrosystems AG	AS1364-BTDT-xx

*) only for fixed Vout version

Layout of Demo Board

Board schematics and layout

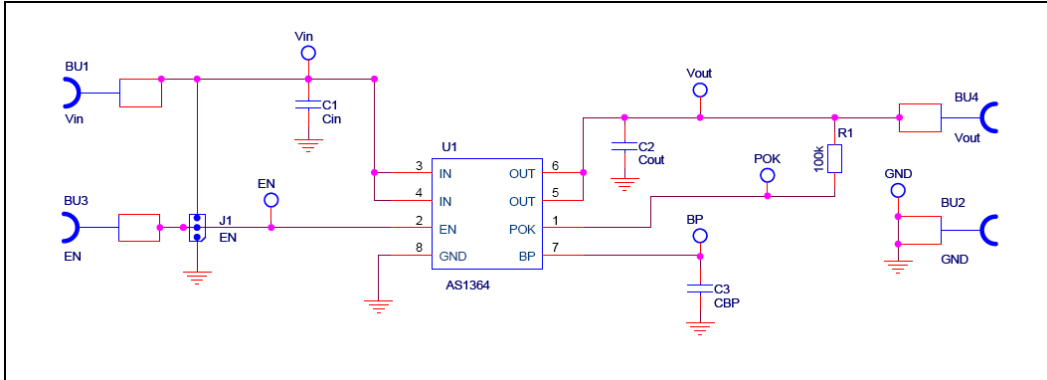


Figure 3: Schematics (fixed Vout)

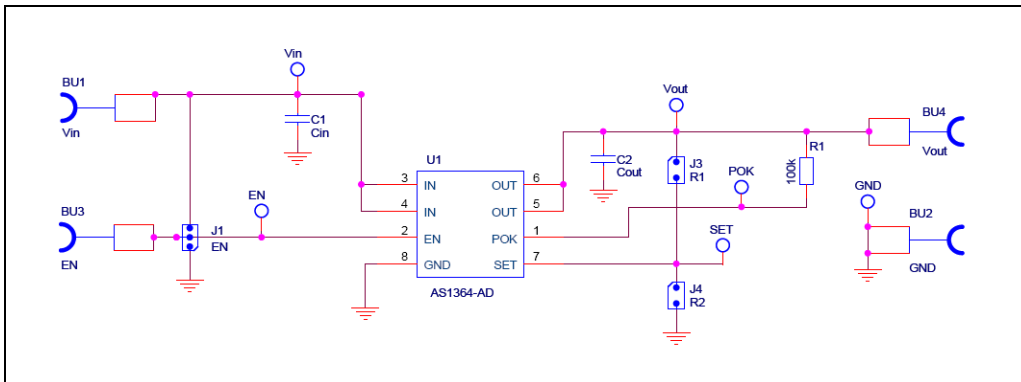


Figure 4: Schematics (adjustable Vout)

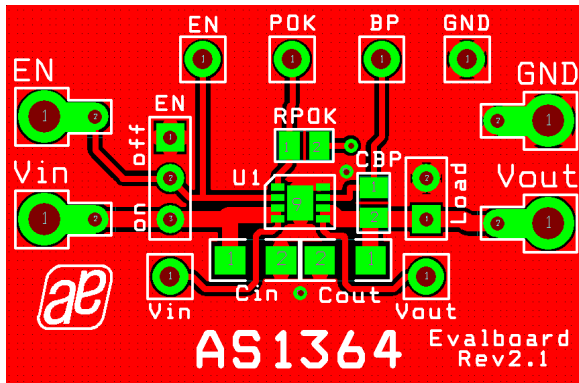


Figure 5: Top + Bottom Layer (fixed Vout)

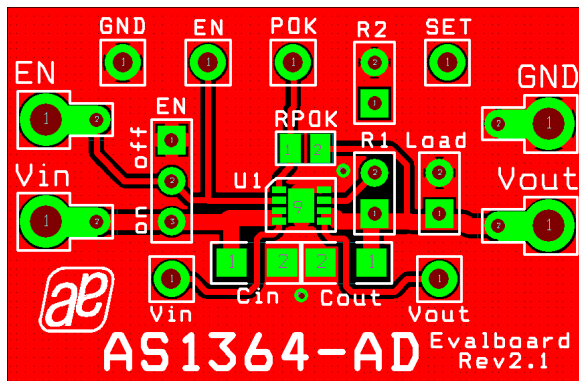
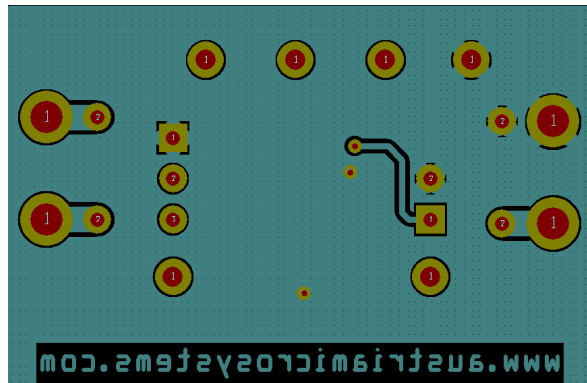
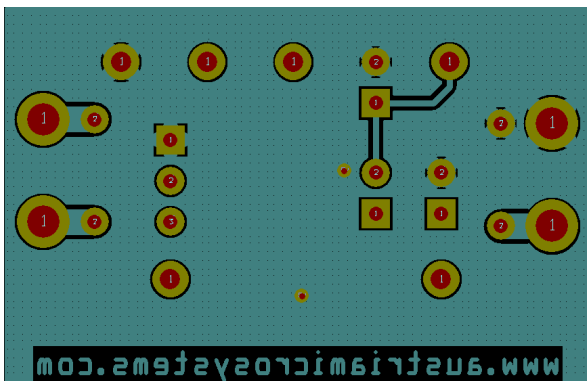


Figure 6: Top + Bottom Layer (adjustable Vout)



Copyright

Copyright © 1997-2010, austriamicrosystems AG, Tobelbaderstraße 30, 8141 Unterpremstätten - Graz, Austria - Europe. Trademarks Registered ®. All rights reserved. The material herein may not be reproduced, adapted, merged, translated, stored, or used without the prior written consent of the copyright owner.

All products and companies mentioned are trademarks or registered trademarks of their respective companies.

Disclaimer

Devices sold by austriamicrosystems AG are covered by the warranty and patent indemnification provisions appearing in its Term of Sale. austriamicrosystems AG makes no warranty, express, statutory, implied, or by description regarding the information set forth herein or regarding the freedom of the described devices from patent infringement. Austriamicrosystems AG reserves the right to change specifications and prices at any time and without notice. Therefore, prior to designing this product into a system, it is necessary to check with austriamicrosystems AG for current information.

This product is intended for use in normal commercial applications. Applications requiring extended temperature range, unusual environmental requirements, or high reliability applications, such as military, medical life-support or life-sustaining equipment are specifically not recommended without additional processing by austriamicrosystems AG for each application. For shipments of less than 100 parts the manufacturing flow might show deviations from the standard production flow, such as test flow or test location.

The information furnished here by austriamicrosystems AG is believed to be correct and accurate. However, austriamicrosystems AG shall not be liable to recipient or any third party for any damages, including but not limited to personal injury, property damage, loss of profits, loss of use, interruption of business or indirect, special, incidental or consequential damages, of any kind, in connection with or arising out of the furnishing, performance or use of the technical data herein. No obligation or liability to recipient or any third party shall arise or flow out of austriamicrosystems AG rendering of technical or other services.



Contact Information

Headquarters

austriamicrosystems AG
Tobelbaderstraße 30
A-8141 Unterpremstätten - Graz, Austria
T. +43 (0) 3136 500 0
F. +43 (0) 3136 5692

For Sales Offices, Distributors and Representatives, please visit:
<http://www.austriamicrosystems.com/contact>



Компания «ЭлектроПласт» предлагает заключение долгосрочных отношений при поставках импортных электронных компонентов на взаимовыгодных условиях!

Наши преимущества:

- Оперативные поставки широкого спектра электронных компонентов отечественного и импортного производства напрямую от производителей и с крупнейших мировых складов;
- Поставка более 17-ти миллионов наименований электронных компонентов;
- Поставка сложных, дефицитных, либо снятых с производства позиций;
- Оперативные сроки поставки под заказ (от 5 рабочих дней);
- Экспресс доставка в любую точку России;
- Техническая поддержка проекта, помощь в подборе аналогов, поставка прототипов;
- Система менеджмента качества сертифицирована по Международному стандарту ISO 9001;
- Лицензия ФСБ на осуществление работ с использованием сведений, составляющих государственную тайну;
- Поставка специализированных компонентов (Xilinx, Altera, Analog Devices, Intersil, Interpoint, Microsemi, Aeroflex, Peregrine, Syfer, Eurofarad, Texas Instrument, Miteq, Cobham, E2V, MA-COM, Hittite, Mini-Circuits, General Dynamics и др.);

Помимо этого, одним из направлений компании «ЭлектроПласт» является направление «Источники питания». Мы предлагаем Вам помощь Конструкторского отдела:

- Подбор оптимального решения, техническое обоснование при выборе компонента;
- Подбор аналогов;
- Консультации по применению компонента;
- Поставка образцов и прототипов;
- Техническая поддержка проекта;
- Защита от снятия компонента с производства.



Как с нами связаться

Телефон: 8 (812) 309 58 32 (многоканальный)

Факс: 8 (812) 320-02-42

Электронная почта: org@eplast1.ru

Адрес: 198099, г. Санкт-Петербург, ул. Калинина, дом 2, корпус 4, литера А.