

1 2 3 4 5 6 7 8

A

B

C

D

E

F

A

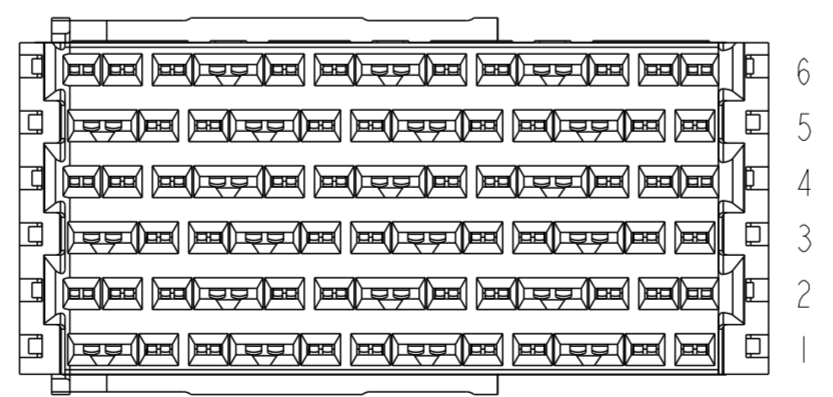
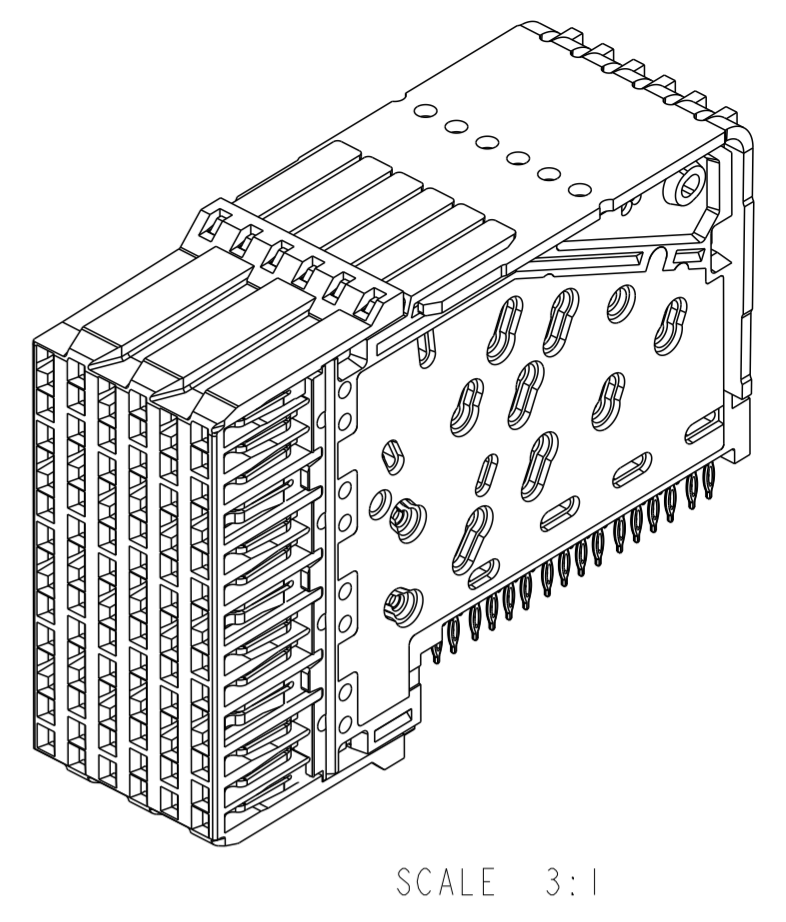
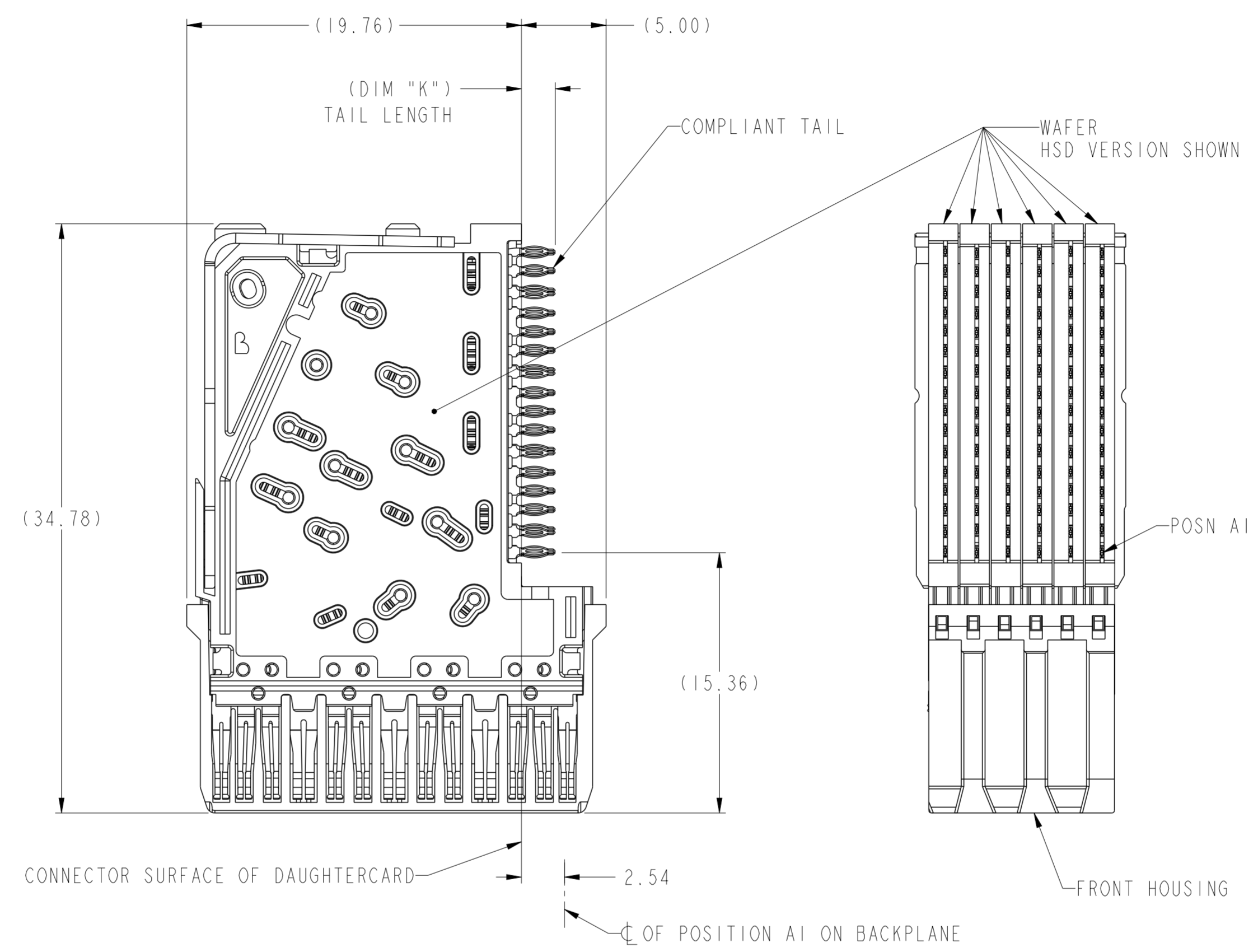
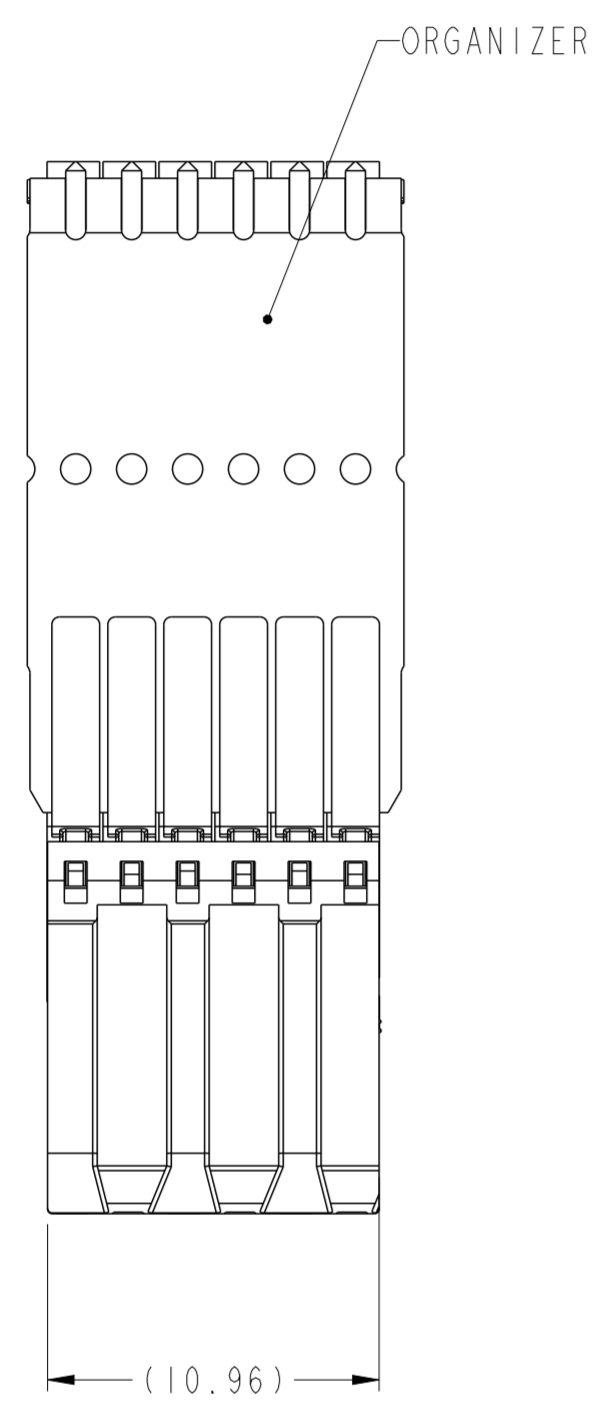
B

C

D

E

F



Copyright FCI. FCI

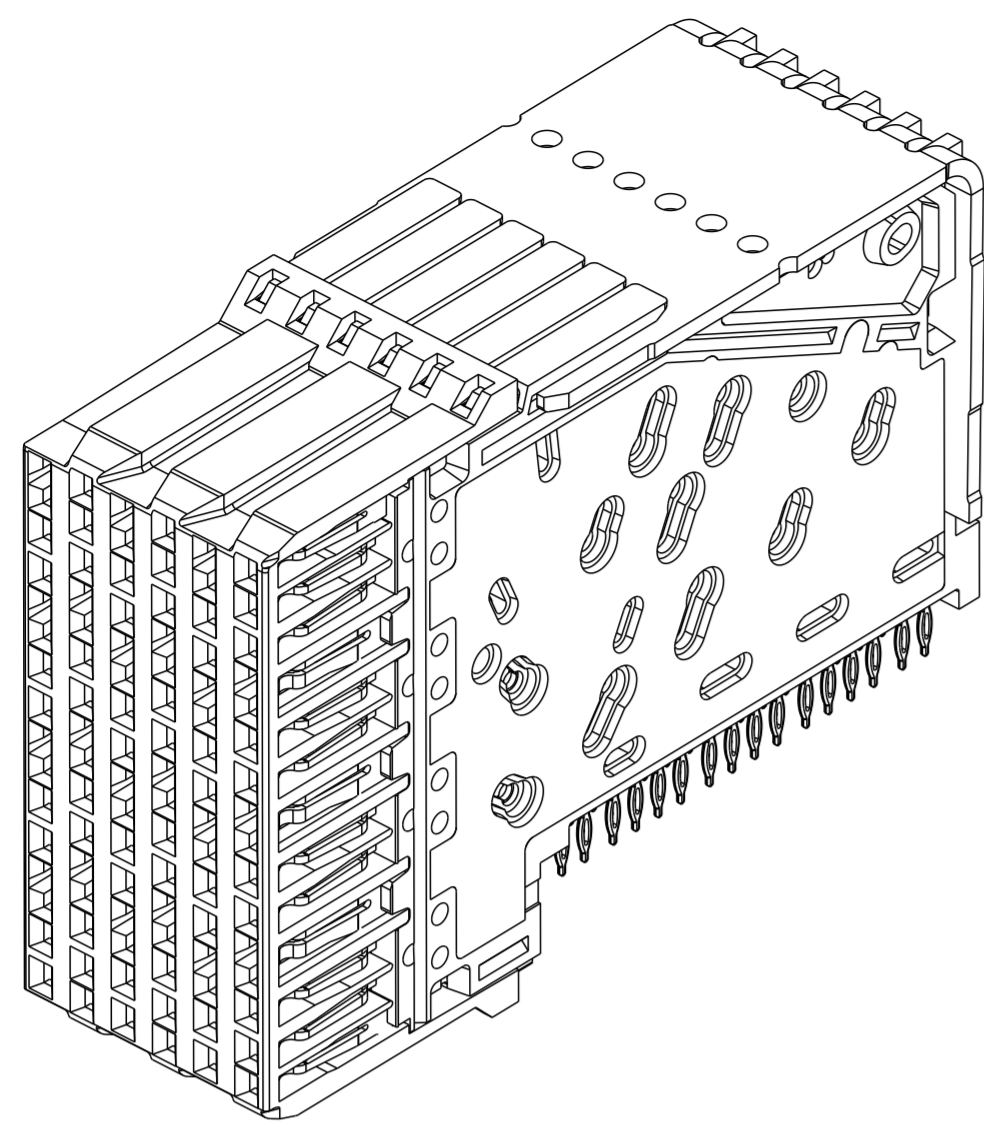
spec ref	SEE NOTES	dr	Jim Swain	2010/01/22	projection	mm	size	A2	scale	3:1										
tolerance std	TOLERANCES UNLESS OTHERWISE SPECIFIED	eng	Matthew Cheong	2014/06/23			ecn no	ELX-S-18041-1												
ASME Y14.5		chr	-	appr			Chen-Hong Tan	2014/07/04	product family	-	rel lev	CF								
surface	<table border="1"> <tr> <td>linear</td> <td>0.X</td> <td>±</td> </tr> <tr> <td></td> <td>0.XX</td> <td>±</td> </tr> <tr> <td></td> <td>0.XXX</td> <td>±</td> </tr> <tr> <td>angular</td> <td>0°</td> <td>±</td> </tr> </table>	linear	0.X	±		0.XX	±		0.XXX	±	angular	0°	±			title RECEIPT MODULE, RIGHT ANGLE 6-COLUMN, 4-PAIR		dwg no 10091799	rev D	
linear	0.X	±																		
	0.XX	±																		
	0.XXX	±																		
angular	0°	±																		
ASME Y14.5		www.fci.com		cat. no. SEE P/N TABLES	Product - Customer Drw		sheet 1 of 6													

1		2		3		4		5		6		7		8										
A	ASSEMBLY PART NUMBER	LEAD-FREE	MODULE DESCRIPTION AND USAGE NOTES	VERSION	IMPEDANCE	COMPLIANT TAIL STYLE AND PCB DRILL DIAMETER	DIM "K" (TAIL LENGTH)	REMARKS	PCB REQUIREMENTS (SEE NOTE 11)															
	ATTRIBUTE		STANDARD TAIL		MICRO TAIL																			
A	10091799-105	NO	SEE NOTES 6 & 14	HSD	85Ω	STANDARD 0.57 (.0225")	2.0	TELECORDIA CO	DRILL SIZE	∅0.57 (.0225")	∅0.45 (.0177")													
	10091799-105LF	YES							PTH	∅0.46±0.05	∅0.36±0.05													
10091799-115	NO	SEE NOTES 6 & 15	HSD						85Ω	STANDARD 0.57 (.0225")	2.0	TELECORDIA CO	PAD SEE NOTE 8	∅0.88	∅0.75									
10091799-115LF	YES												MIN PCB THICKNESS	1.60	1.10									
10091799-505	NO	SEE NOTES 6 & 14	HSD						85Ω	MICRO 0.45 (.0177")	1.3	TELECORDIA UE												
10091799-505LF	YES												SEE NOTES 6 & 15	HSD	85Ω	MICRO 0.45 (.0177")	1.3	TELECORDIA UE						
10091799-515	NO	SEE NOTES 6 & 15																	HSD	85Ω	MICRO 0.45 (.0177")	1.3	TELECORDIA UE	
10091799-515LF	YES												SEE NOTES 6 & 15	HSD	85Ω	MICRO 0.45 (.0177")	1.3	TELECORDIA UE						
10091799-605LF	YES	SEE NOTE 6, 14 & 17																	HSD	85Ω	MICRO 0.45 (.0177")	1.3	TELECORDIA CO	
10091799-615LF	YES	SEE NOTE 6, 15 & 17											HSD	85Ω	MICRO 0.45 (.0177")	1.3	TELECORDIA UE							
10091799-106	NO	SEE NOTES 6 & 14		HSD	85Ω	MICRO 0.45 (.0177")	1.3	TELECORDIA UE																
10091799-106LF	YES												SEE NOTES 6 & 15	HSD	85Ω	MICRO 0.45 (.0177")	1.3	TELECORDIA UE						
10091799-116	NO	SEE NOTES 6 & 15		HSD	85Ω	MICRO 0.45 (.0177")	1.3	TELECORDIA UE																
10091799-116LF	YES												SEE NOTES 6 & 15	HSD	85Ω	MICRO 0.45 (.0177")	1.3	TELECORDIA UE						
10091799-506	NO	SEE NOTES 6 & 14	LC	85Ω	STANDARD 0.57 (.0225")	2.0	TELECORDIA CO																	
10091799-506LF	YES							SEE NOTES 6 & 15	LC	85Ω	STANDARD 0.57 (.0225")	2.0	TELECORDIA UE											
10091799-516	NO	SEE NOTES 6 & 15												LC	85Ω	STANDARD 0.57 (.0225")	2.0	TELECORDIA UE						
10091799-516LF	YES							SEE NOTES 6 & 15	LC	85Ω	STANDARD 0.57 (.0225")	2.0	TELECORDIA UE											
10091799-606LF ^D	YES	SEE NOTE 6, 14 & 17												LC	85Ω	MICRO 0.45 (.0177")	1.3	TELECORDIA CO						
10091799-616LF ^D	YES	SEE NOTE 6, 15 & 17						LC	85Ω	MICRO 0.45 (.0177")	1.3	TELECORDIA UE												
10091799-107	NO	SEE NOTES 6 & 14											LC						85Ω	STANDARD 0.57 (.0225")	2.0	TELECORDIA CO		
10091799-107LF	YES							SEE NOTES 6 & 15	LC	85Ω	STANDARD 0.57 (.0225")	2.0											TELECORDIA UE	
10091799-117	NO	SEE NOTES 6 & 15											LC						85Ω	STANDARD 0.57 (.0225")	2.0	TELECORDIA UE		
10091799-117LF	YES							SEE NOTES 6 & 15	LC	85Ω	STANDARD 0.57 (.0225")	2.0											TELECORDIA UE	
10091799-507	NO	SEE NOTES 6 & 14	LC	85Ω	MICRO 0.45 (.0177")	1.3	TELECORDIA CO																	
10091799-507LF	YES							SEE NOTES 6 & 15	LC	85Ω	MICRO 0.45 (.0177")	1.3	TELECORDIA UE											
10091799-517	NO	SEE NOTES 6 & 15																	LC	85Ω	MICRO 0.45 (.0177")	1.3	TELECORDIA UE	
10091799-517LF	YES							SEE NOTES 6 & 15	LC	85Ω	MICRO 0.45 (.0177")	1.3	TELECORDIA UE											
10091799-108	NO	SEE NOTES 6 & 14												LC	85Ω	MICRO 0.45 (.0177")	1.3	TELECORDIA CO						
10091799-108LF	YES							SEE NOTES 6 & 15	LC	85Ω	MICRO 0.45 (.0177")	1.3	TELECORDIA UE											
10091799-118	NO	SEE NOTES 6 & 15																	LC	85Ω	MICRO 0.45 (.0177")	1.3	TELECORDIA UE	
10091799-118LF	YES							SEE NOTES 6 & 14	LC	85Ω	MICRO 0.45 (.0177")	1.3	TELECORDIA UE											
10091799-508	NO	SEE NOTES 6 & 14																	LC	85Ω	MICRO 0.45 (.0177")	1.3	TELECORDIA UE	
10091799-508LF	YES							SEE NOTES 6 & 15	LC	85Ω	MICRO 0.45 (.0177")	1.3	TELECORDIA UE											
10091799-518	NO	SEE NOTES 6 & 15	LC	85Ω	MICRO 0.45 (.0177")	1.3	TELECORDIA UE																	
10091799-518LF	YES																							

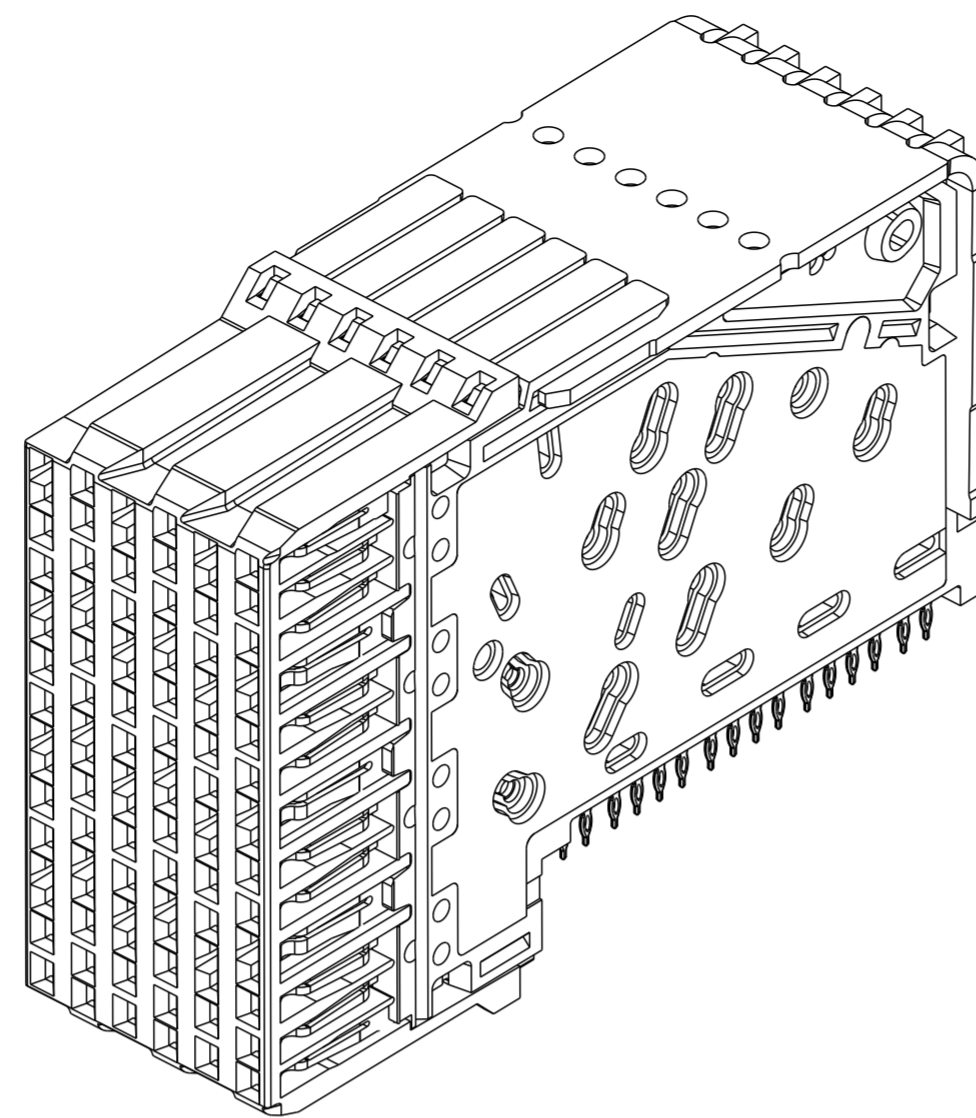
PCB REQUIREMENTS (SEE NOTE 11)		
ATTRIBUTE	STANDARD TAIL	MICRO TAIL
DRILL SIZE	∅0.57 (.0225")	∅0.45 (.0177")
PTH	∅0.46±0.05	∅0.36±0.05
PAD SEE NOTE 8	∅0.88	∅0.75
MIN PCB THICKNESS	1.60	1.10

Copyright FCI. FCI

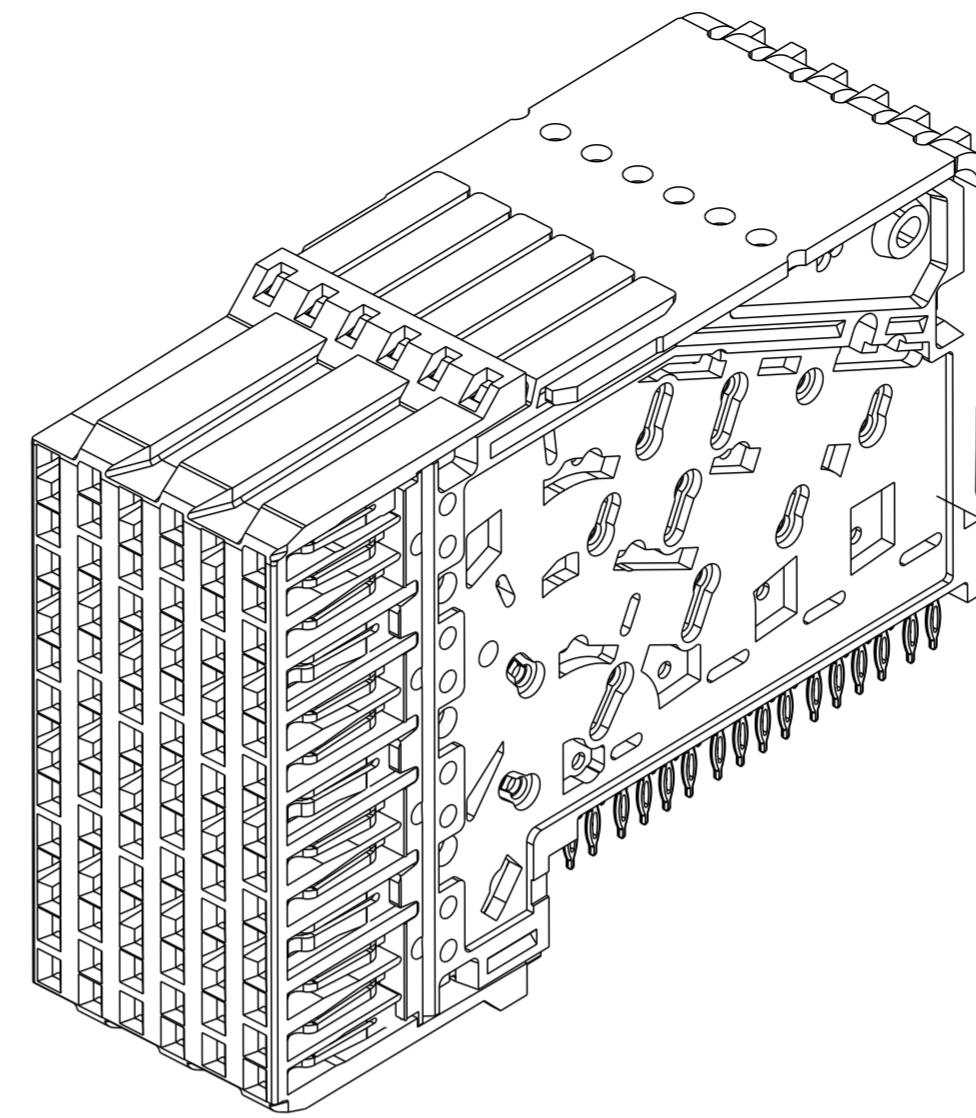
spec ref	SEE NOTES	dr	Jim Swain	2010/01/22	projection	mm	size	A2	scale	3:1
tolerance std	TOLERANCES UNLESS OTHERWISE SPECIFIED	eng	Matthew Cheong	2014/06/23		mm	ecn no	ELX-S-18041-1	rel lev	Released
ASME Y14.5		chr	-	2014/07/04						
surface	linear	app'r	Chen-Hong Tan	2014/07/04	FCI		title	RECEPT MODULE, RIGHT ANGLE	cat. no.	SEE P/N TABLES
ASME Y14.5	angular	0°	±°	www.fci.com	Product - Customer Drw	sheet 4 of 6	rev	10091799	D	



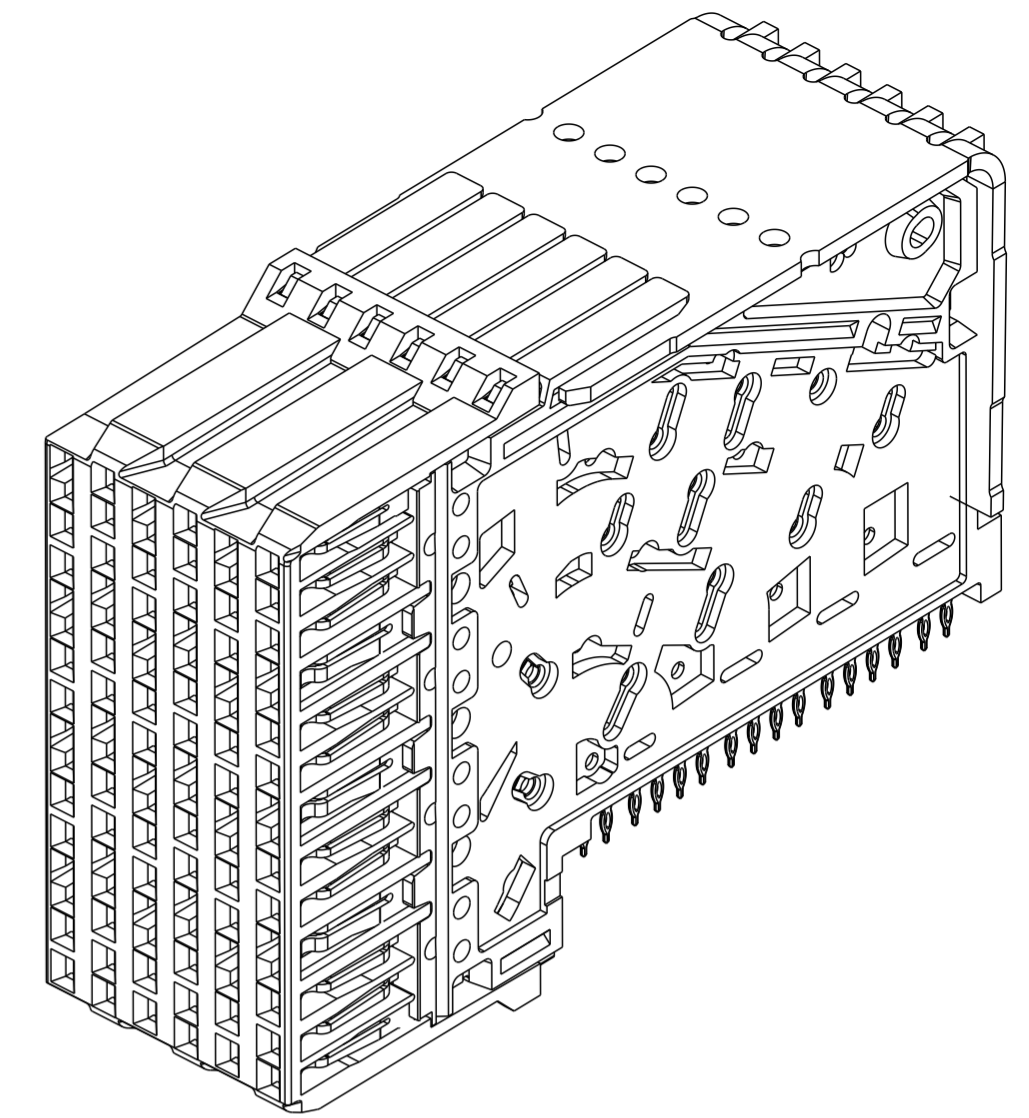
10091799-X01 & -X05
HSD / 100Ω & 85Ω / STD EON
SEE NOTE 14



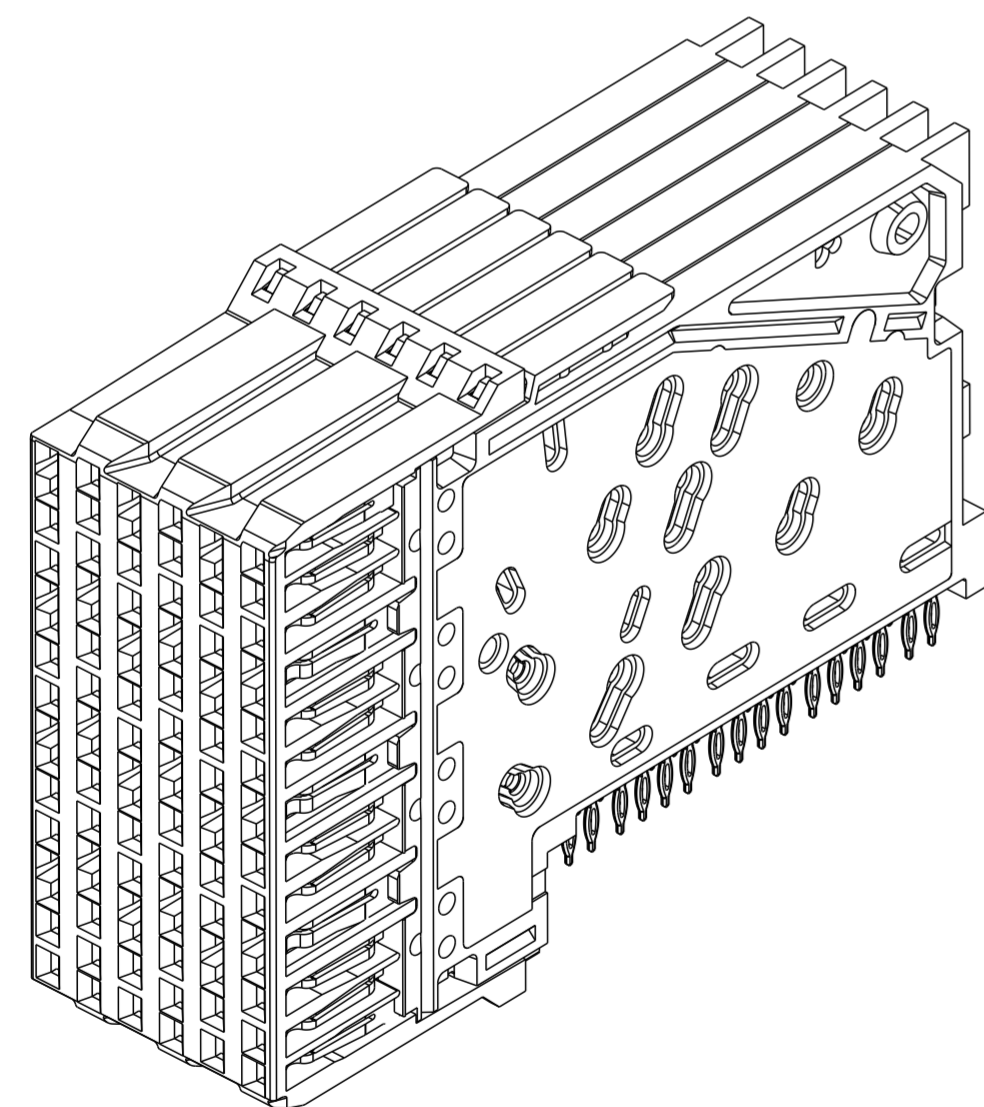
10091799-X02 & X06
HSD / 100Ω & 85Ω / MICRO EON
SEE NOTE 14



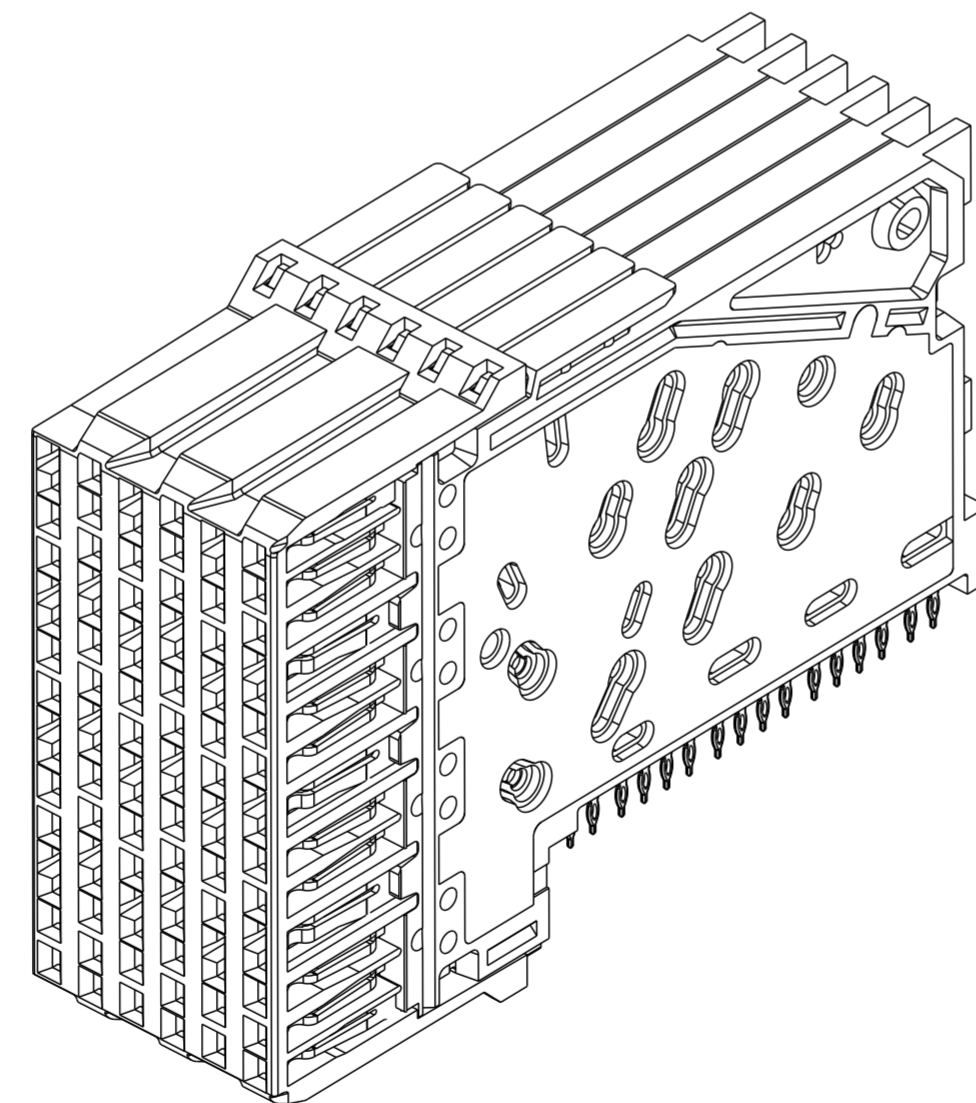
10091799-X03 & X07
LC / 100Ω & 85Ω / STD EON
SEE NOTE 14



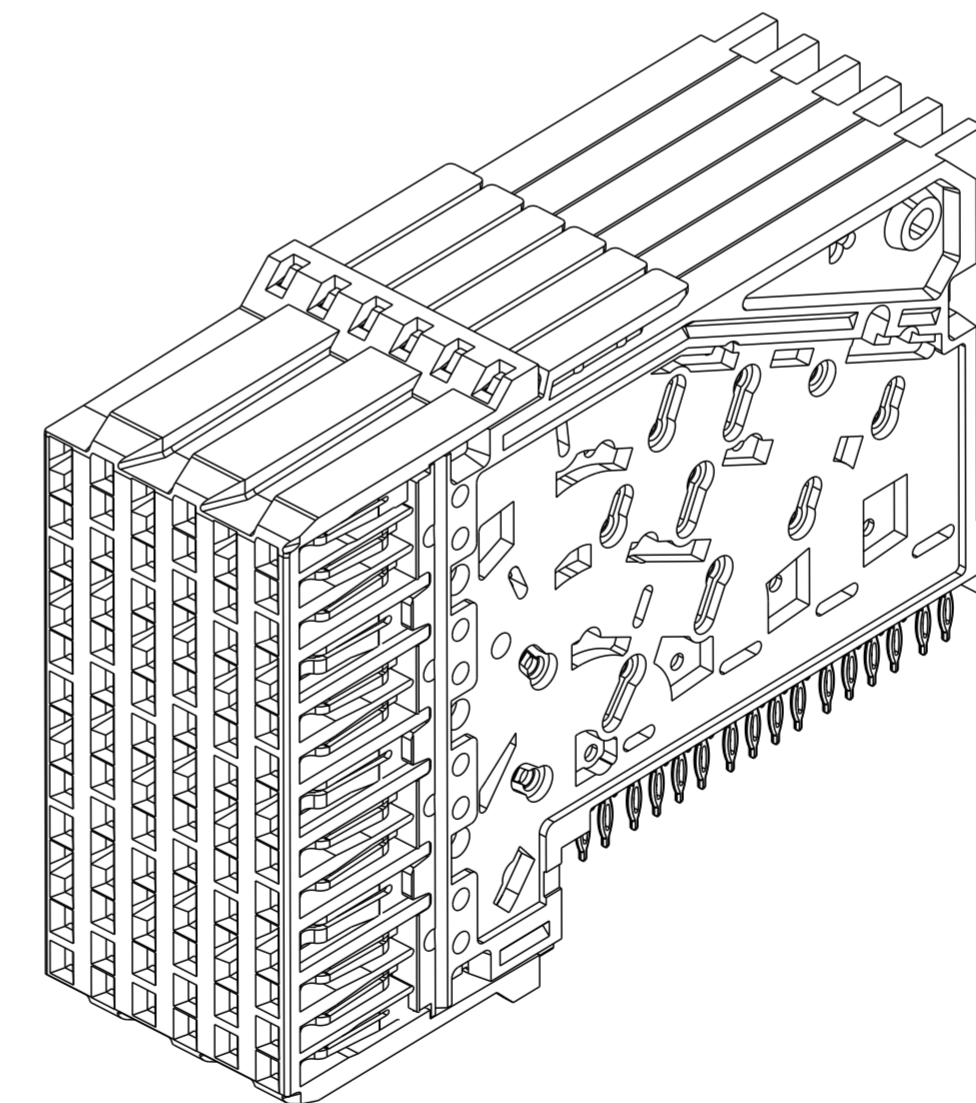
10091799-X04 & X08
LC / 100Ω & 85Ω / MICRO EON
SEE NOTE 14



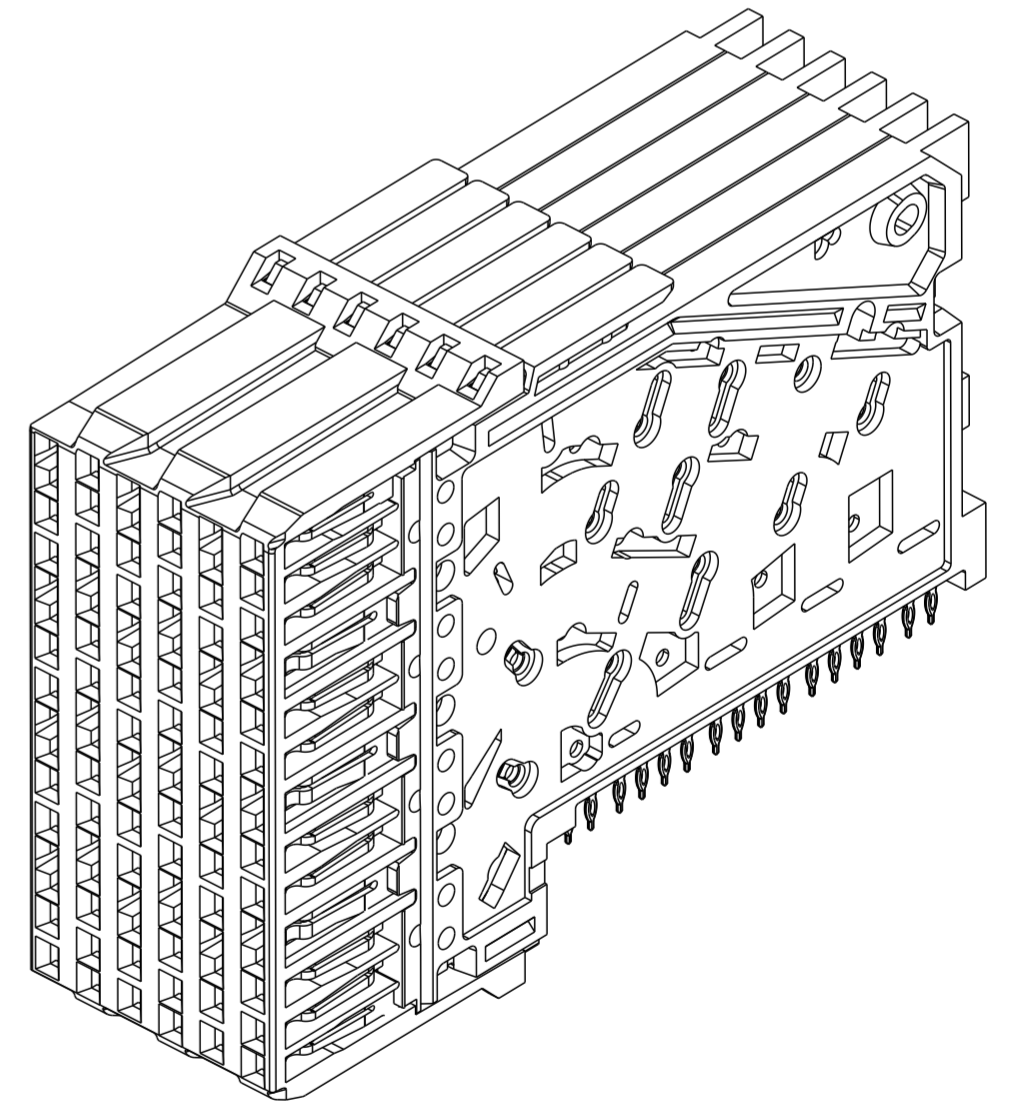
10091799-X11 & -X15
HSD / 100Ω & 85Ω / STD EON
SEE NOTE 15



10091799-X12 & X16
HSD / 100Ω & 85Ω / MICRO EON
SEE NOTE 15



10091799-X13 & X17
LC / 100Ω & 85Ω / STD EON
SEE NOTE 15



10091799-X14 & X18
LC / 100Ω & 85Ω / MICRO EON
SEE NOTE 15



Copyright FCI.

spec ref	SEE NOTES	dr	Jim Swain	2010/01/22	projection	mm	size	A2	scale	3:1	
tolerance std	TOLERANCES UNLESS OTHERWISE SPECIFIED	eng	Matthew Cheong	2014/06/23			ecn no	ELX-S-18041-1	rel lev	Released	
ASME Y14.5		chr	-	appr							Chen-Hong Tan
surface	<input checked="" type="checkbox"/> linear		0.X	±		title RECEPT MODULE, RIGHT ANGLE 6-COLUMN, 4-PAIR	dwg no 10091799	rev D	Product - Customer Draw		
			0.XX	±					cat. no.	SEE P/N TABLES	sheet 5 of 6
		ASME Y14.5	angular	0°					±	PDS: Rev :D	

NOTES:

1. CONNECTOR MATERIALS:

HOUSING: THERMOPLASTIC, GRAY, UL 94V-0
 WAFERS: THERMOPLASTIC, GRAY, UL 94V-0
 CONTACTS: HIGH-PERFORMANCE COPPER ALLOY
 ORGANIZER: STAINLESS STEEL

2. CONTACT PLATING:

SEPARABLE INTERFACE: PERFORMANCE-BASED PLATING, QUALIFIED TO MEET THE REQUIREMENTS OF FCI PRODUCT SPECIFICATION GS-12-588, INCLUDING THE TELCORDIA GR-1217-CORE (ISSUE 2 DEC 2008) CENTRAL OFFICE TEST SEQUENCE.

PRESS-FIT TAILS: TIN-LEAD ALLOY OVER NICKEL OR TIN OVER NICKEL (LEAD FREE) AS NOTED. SEE "LEAD-FREE" COLUMN IN P/N TABLE.

3. PRODUCT SPECIFICATION: GS-12-588

4. APPLICATION SPECIFICATION: GS-20-121

5. PRODUCT MARKING: APPLIED TO CUSTOM MONOBLOCK ASSEMBLY

6. Xcede® MODULES ARE DESIGNED TO BE STACKED INTO A MONOBLOCK ASSEMBLY, JOINED TOGETHER BY A COMMON STAMPED METAL ORGANIZER. INDIVIDUALLY ASSEMBLED MODULES ARE OFFERED FOR PURPOSES OF SAMPLING AND INITIAL DESIGN-IN EVALUATION AS IDENTIFIED IN THE PART NUMBER TABLE.

7. DRAWING IS INTENDED FOR LAYOUT PURPOSES ONLY.

8. STATED PAD SIZE MAY REQUIRE FILLETING. REFER TO FCI APPLICATION SPECIFICATION FOR ROUTING GUIDELINES.

9. SEE PCB REQUIREMENTS TABLE AND FCI APPLICATION SPECIFICATION GS-20-121 FOR PCB HOLE SPECIFICATIONS AND ROUTING GUIDELINES.

10. LEAD-FREE PRODUCT MEETS THE EUROPEAN UNION DIRECTIVES AND OTHER COUNTRY REGULATIONS AS DESCRIBED IN FCI SPECIFICATION GS-22-008.

11. REQUIREMENTS APPLY TO THE MAJORITY OF PCB FINISHES. SEE APPLICATION SPECIFICATION GS-20-121 FOR ADDITIONAL DETAILS AND EXCEPTIONS FOR LEAD-FREE HASL AND IMMERSION SILVER FINISHES.

12. PACKAGING MEETS FCI SPECIFICATION GS-14-920 FOR LEAD-FREE LABELING.

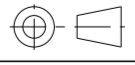


13. THE SPECIFIED KEEP-OUT AREA IS REQUIRED FOR CONNECTOR REPAIRABILITY.

14. INDIVIDUAL MODULE ASSEMBLIES INCLUDING ASSEMBLED METAL ORGANIZER. THESE MODULES ARE TO BE USED FOR SAMPLING AND INITIAL EVALUATION ONLY. REF NOTE 6.

15. INDIVIDUAL MODULES TO BE SPECIFIED AND USED IN CUSTOM MONOBLOCK CONFIGURATIONS. REFERENCE NOTE 6 AND FCI APPLICATION SPECIFICATION FOR ADDITIONAL CONFIGURATION GUIDELINES AND INFORMATION.

16. A  SYMBOL WILL BE NEXT TO ANY DIMENSION, VIEW OR NOTES WHICH HAS BEEN MODIFIED WITH THE CURRENT DRAWING REVISION.

 17. CUSTOMER SPECIAL PARTNO.

spec ref	SEE NOTES	dr	Jim Swain	2010/01/22	projection	mm	size	A2	scale	3:1
tolerance std	TOLERANCES UNLESS OTHERWISE SPECIFIED	eng	Matthew Cheong	2014/06/23		mm	ecn no	ELX-S-18041-1	rel lev	Released
ASME Y14.5		chr	-	-						
surface 	linear	0.X	±		product family	-	-	-	-	-
		0.XX	±							
		0.XXX	±							
ASME Y14.5	angular	0°	±	www.fci.com	cat. no.	SEE P/N TABLES	Product - Customer Drw	sheet 6 of 6	rev	D



Компания «ЭлектроПласт» предлагает заключение долгосрочных отношений при поставках импортных электронных компонентов на взаимовыгодных условиях!

Наши преимущества:

- Оперативные поставки широкого спектра электронных компонентов отечественного и импортного производства напрямую от производителей и с крупнейших мировых складов;
- Поставка более 17-ти миллионов наименований электронных компонентов;
- Поставка сложных, дефицитных, либо снятых с производства позиций;
- Оперативные сроки поставки под заказ (от 5 рабочих дней);
- Экспресс доставка в любую точку России;
- Техническая поддержка проекта, помощь в подборе аналогов, поставка прототипов;
- Система менеджмента качества сертифицирована по Международному стандарту ISO 9001;
- Лицензия ФСБ на осуществление работ с использованием сведений, составляющих государственную тайну;
- Поставка специализированных компонентов (Xilinx, Altera, Analog Devices, Intersil, Interpoint, Microsemi, Aeroflex, Peregrine, Syfer, Eurofarad, Texas Instrument, Miteq, Cobham, E2V, MA-COM, Hittite, Mini-Circuits, General Dynamics и др.);

Помимо этого, одним из направлений компании «ЭлектроПласт» является направление «Источники питания». Мы предлагаем Вам помощь Конструкторского отдела:

- Подбор оптимального решения, техническое обоснование при выборе компонента;
- Подбор аналогов;
- Консультации по применению компонента;
- Поставка образцов и прототипов;
- Техническая поддержка проекта;
- Защита от снятия компонента с производства.



Как с нами связаться

Телефон: 8 (812) 309 58 32 (многоканальный)

Факс: 8 (812) 320-02-42

Электронная почта: org@eplast1.ru

Адрес: 198099, г. Санкт-Петербург, ул. Калинина, дом 2, корпус 4, литера А.