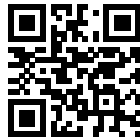


DIN-Rail EMC/RFI Filter with Minimum Leakage Current



- Compact state-of-the-art filter concept
- Light weight plastic enclosure design
- Minimized filter leakage current
- Hinged safety covers
- Revolutionary embedded filter terminals
- Chassis or DIN-rail mounting option
- Selectable performance level
- Environmental friendly design without potting compound



Performance indicators

Attenuation performance



Rated current [A]



Technical specifications

| | |
|--|--|
| Design corresponding to | UL 1283, CSA 22.2 No. 8 1986, IEC/EN 60939 |
| Flammability corresponding to | UL 94 V-2 or better |
| High potential test voltage | P → E 2000 VAC for 2 sec (HL types) P → P 2250 VDC for 2 sec P → E 3000 VDC for 2 sec (HP types) |
| Maximum continuous operating voltage | 3x 520/300 VAC |
| MTBF @ 50°C/400V (Mil-HB-217F) | >200,000 hours |
| Operating frequency | dc to 60 Hz |
| Overload capability | 4x rated current at switch on, 1.5x rated current for 1 minute, once per hour |
| Protection category | IP00 (protection according to VBG 4) |
| Rated currents | 10 to 50 A @ 50 °C |
| Temperature range (operation and storage) | -25 °C to +100 °C (25/100/21) |

Approvals



Design protected by European patent (EP 1727280)


Features and benefits

- FN 3025 filters are designed for traditional chassis mounting
- For extra fast installation, FN 3026 filters can comfortably be snapped-in on TS 35 DIN-rails
- Two different performance levels are offered (L types, P types). The suitable filter can be selected by choosing the required performance level, the admissible leakage current and the preferred installation style
- A plastic housing and a metal ground plate are cleverly combined to get the lowest possible product weight without compromising EMC behavior
- The embedded jump-terminal system from Schaffner guarantees user-friendly handling as well as fast and reliable electrical connection
- Captive hinged protective covers contribute to overall safety by offering protection against unintended contact with live conductors. They are included in the standard delivery package without causing extra cost
- Very low leakage current values make these filter ranges ideally suitable for use in Japanese electricity networks as well as in applications which set value on safety and reliability

Typical applications

- Applications with the requirement for extremely compact filter solutions
- Applications with tough leakage current requirements or sensitive earth leakage detectors
- Applications with insufficient internal filtering or moderate interference levels
- Automation equipment
- Motor drives and servo drives with short motor cables
- Applications including stepping motors
- Semiconductor manufacturing equipment
- Electrical cabinets
- Three-phase power supplies
- Medical equipment (not patient-coupled)

Filter selection table

| Filter | Rated current @ 50 °C (40 °C) | Typical drive power rating* | Leakage current** @ 480 VAC/50 Hz | Power loss @ 25 °C/50 Hz | Input/Output connections  | Weight [kg] |
|-----------------|----------------------------------|--------------------------------|--------------------------------------|-----------------------------|--|----------------|
| | [A] | [kW] | [mA] | [W] | | |
| FN 3025HL-10-71 | 10 (10.7) | 5.5 | 0.4 | 4.8 | -71 | 0.52 |
| FN 3025HL-20-71 | 20 (21.4) | 11 | 0.4 | 6.2 | -71 | 0.52 |
| FN 3025HL-30-71 | 30 (32.1) | 18.5 | 0.4 | 7.0 | -71 | 0.54 |
| FN 3025HL-50-72 | 50 (53.5) | 30 | 0.4 | 10.5 | -72 | 0.93 |
| FN 3025HP-10-71 | 10 (10.7) | 5.5 | 2.5 | 4.8 | -71 | 0.52 |
| FN 3025HP-20-71 | 20 (21.4) | 11 | 2.5 | 6.2 | -71 | 0.52 |
| FN 3025HP-30-71 | 30 (32.1) | 18.5 | 2.5 | 7.0 | -71 | 0.54 |
| FN 3025HP-50-72 | 50 (53.5) | 30 | 2.5 | 10.5 | -72 | 0.93 |
| FN 3026HL-10-71 | 10 (10.7) | 5.5 | 0.4 | 4.8 | -71 | 0.56 |
| FN 3026HL-20-71 | 20 (21.4) | 11 | 0.4 | 6.2 | -71 | 0.56 |
| FN 3026HL-30-71 | 30 (32.1) | 18.5 | 0.4 | 7.0 | -71 | 0.58 |
| FN 3026HL-50-72 | 50 (53.5) | 30 | 0.4 | 10.5 | -72 | 0.98 |
| FN 3026HP-10-71 | 10 (10.7) | 5.5 | 2.5 | 4.8 | -71 | 0.56 |
| FN 3026HP-20-71 | 20 (21.4) | 11 | 2.5 | 6.2 | -71 | 0.56 |
| FN 3026HP-30-71 | 30 (32.1) | 18.5 | 2.5 | 7.0 | -71 | 0.58 |
| FN 3026HP-50-72 | 50 (53.5) | 30 | 2.5 | 10.5 | -72 | 0.98 |

* Calculated at rated current, 480 VAC and cos phi = 0.8. The exact value depends upon the efficiency of the drive, the motor and the entire application.

** Maximum leakage under normal operating conditions. Note: if two phases are interrupted, worst case leakage could reach up to 10 times higher levels (at 520 VAC/60 Hz).

Typical filter attenuation

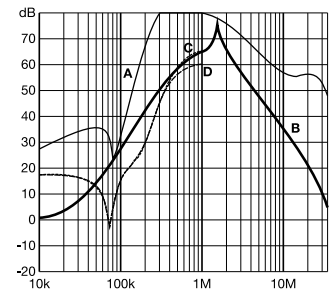
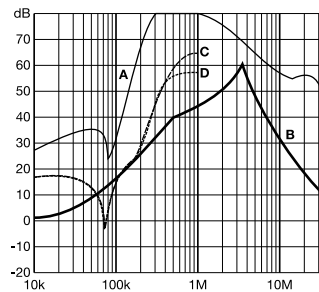
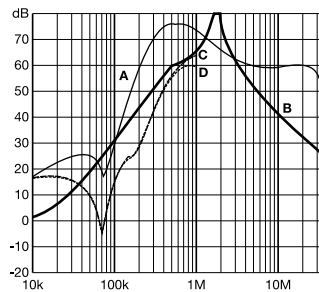
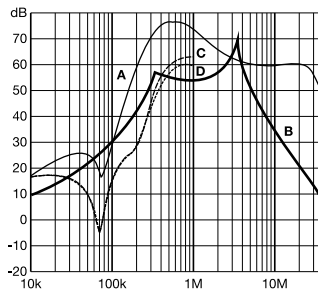
Per CISPR 17; A = 50 Ω/50 Ω sym; B = 50 Ω/50 Ω asym; C = 0.1 Ω/100 Ω sym; D = 100 Ω/0.1 Ω sym

10 and 20 A HL types

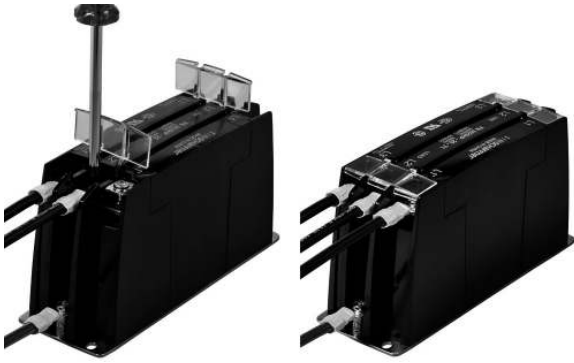
10 and 20 A HP types

30 and 50 A HL types

30 and 50 A HP types



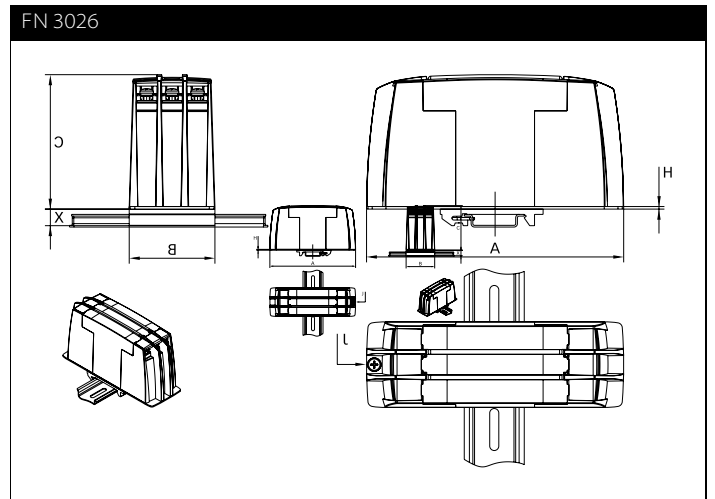
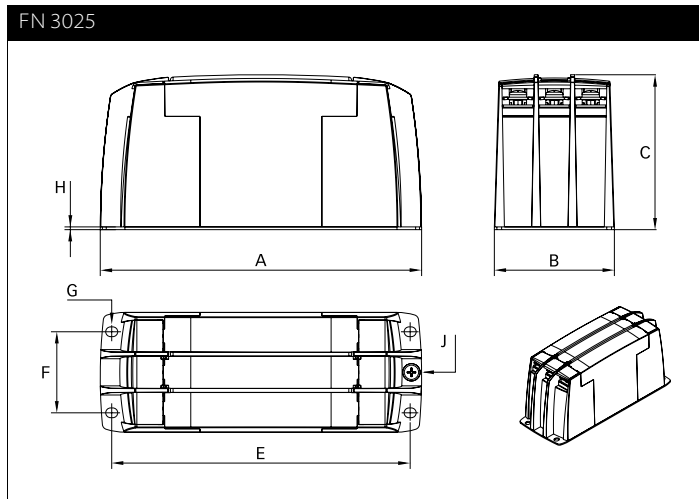
Installation



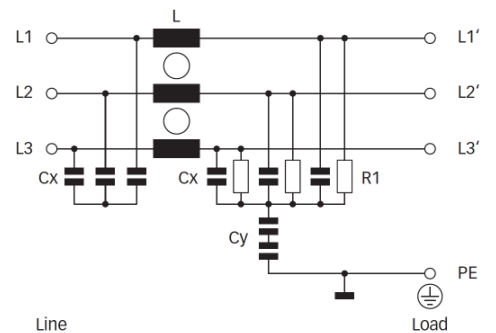
FN 3025/FN 3026 are delivered with closed plastic covers and unfastened terminals. To install the filter please proceed as follows:

- Mount the filter on a metal surface with four screws or snap it onto a TS 35 DIN- rail.
- First connect the green/yellow wire to the earth stud of the filter.
- Gently lift the two hinged plastic covers.
- Connect phase wires with cable lugs by pushing down and tightening the screws.
- Please note the torque recommendation on top of the filter.
- Push the covers back into their locked position to finish the filter installation.

Mechanical data



Typical electrical schematic







Dimensions

| | FN 3025 | | | | FN 3026 | | | |
|----------|-----------|-----------|-----------|-----------|---------|------|------|------|
| | 10 A | 20 A | 30 A | 50 A | 10 A | 20 A | 30 A | 50 A |
| A | 150 | 150 | 150 | 177 | 150 | 150 | 150 | 177 |
| B | 50 | 50 | 50 | 65 | 50 | 50 | 50 | 65 |
| C | 78 | 78 | 78 | 84 | 78 | 78 | 78 | 84 |
| E | 140 | 140 | 140 | 162 | | | | |
| F | 32 | 32 | 32 | 44 | | | | |
| G | 4.3 x 5.5 | 4.3 x 5.5 | 4.3 x 5.5 | 5.3 x 6.5 | | | | |
| H | 1.5 | 1.5 | 1.5 | 1.5 | 1.5 | 1.5 | 1.5 | 1.5 |
| J | M4 | M4 | M4 | M5 | M4 | M4 | M4 | M5 |
| X | | | | | 9.7 | 9.7 | 9.7 | 9.7 |

All dimensions in mm; 1 inch = 25.4 mm
Tolerances according: ISO 2768-m / EN 22768-m

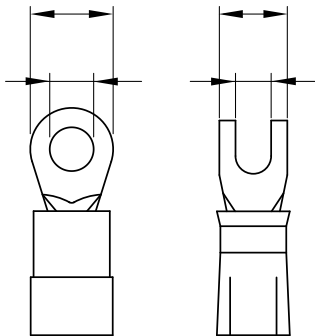
Filter input/output connector cross sections

| | -71 (10A) | -71 (20A) | -71 (30A) | -72 (50A) |
|-----------------------------|---|---|---|---|
| |  |  |  |  |
| Flex wire | 1.3-2.5 mm ² | 4-6 mm ² | 8-10mm ² | 16-20mm ² |
| AWG type wire | AWG 16-AWG 13 | AWG 12-AWG 10 | AWG 8-AWG 7 | AWG 5-AWG 4 |
| Ring/fork lug (W/d)* | max. 11 mm (9.5 mm)/ min. Ø 4.3 mm** | max. 11 mm (9.5 mm)/ min. Ø 4.3 mm** | max. 11 mm (9.5 mm)/ min. Ø 4.3 mm** | max. 16.5 mm (15 mm)/ min. Ø 5.3 mm** |
| Recommended torque | 1.0-1.2 Nm | 1.0-1.2 Nm | 1.0-1.2 Nm | 1.9-2.2 Nm |

* Schaffner recommends the use of insulated and UL-recognized ring lugs or fork lugs of the appropriate size.

** Specification in () relates to earth connector.

Please visit www.schaffner.com to find more details on filter connectors.





Компания «ЭлектроПласт» предлагает заключение долгосрочных отношений при поставках импортных электронных компонентов на взаимовыгодных условиях!

Наши преимущества:

- Оперативные поставки широкого спектра электронных компонентов отечественного и импортного производства напрямую от производителей и с крупнейших мировых складов;
- Поставка более 17-ти миллионов наименований электронных компонентов;
- Поставка сложных, дефицитных, либо снятых с производства позиций;
- Оперативные сроки поставки под заказ (от 5 рабочих дней);
- Экспресс доставка в любую точку России;
- Техническая поддержка проекта, помощь в подборе аналогов, поставка прототипов;
- Система менеджмента качества сертифицирована по Международному стандарту ISO 9001;
- Лицензия ФСБ на осуществление работ с использованием сведений, составляющих государственную тайну;
- Поставка специализированных компонентов (Xilinx, Altera, Analog Devices, Intersil, Interpoint, Microsemi, Aeroflex, Peregrine, Syfer, Eurofarad, Texas Instrument, Miteq, Cobham, E2V, MA-COM, Hittite, Mini-Circuits, General Dynamics и др.);

Помимо этого, одним из направлений компании «ЭлектроПласт» является направление «Источники питания». Мы предлагаем Вам помощь Конструкторского отдела:

- Подбор оптимального решения, техническое обоснование при выборе компонента;
- Подбор аналогов;
- Консультации по применению компонента;
- Поставка образцов и прототипов;
- Техническая поддержка проекта;
- Защита от снятия компонента с производства.



Как с нами связаться

Телефон: 8 (812) 309 58 32 (многоканальный)

Факс: 8 (812) 320-02-42

Электронная почта: org@eplast1.ru

Адрес: 198099, г. Санкт-Петербург, ул. Калинина, дом 2, корпус 4, литера А.