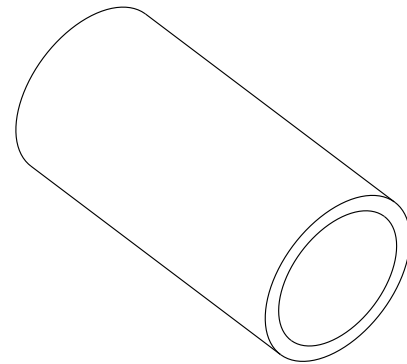
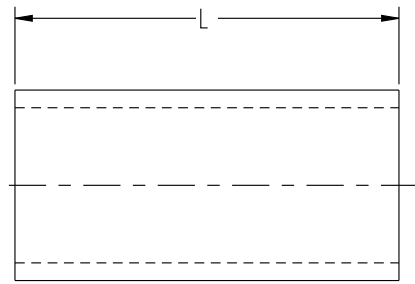
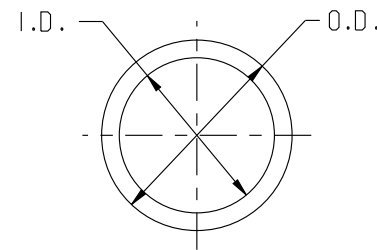


DWG. NO.
SA25594



SCALE 8:1

NOTE:

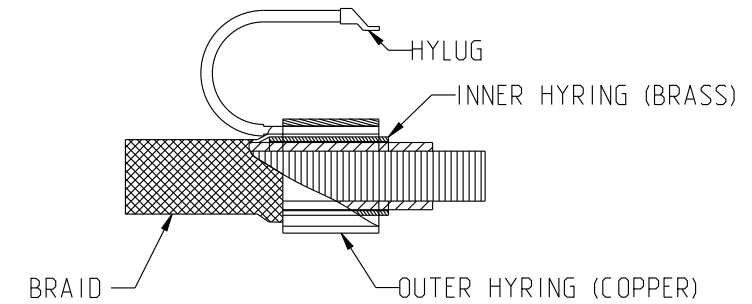
1. MATERIALS: AS NOTED.
 2. PLATING: TIN PLATED.
 3. SURFACE TREATMENT : IRIDITE OVER CADMIUM PLATE.
- * THESE SIZES NOT IRIDITED.

THIS DRAWING IS A CONTROLLED DOCUMENT FOR SOURIAU USA, INC. IT IS SUBJECT TO CHANGE WITHOUT NOTIFICATION. CONTACT THE DOCUMENT CONTROL CENTER FOR THE LATEST REVISION.

THE INFORMATION CONTAINED IN THIS DRAWING IS CONFIDENTIAL AND MAY NOT BE DISCLOSED WITHOUT WRITTEN CONSENT FROM SOURIAU USA, INC.

| OUTER HYRING | | | | | | | | |
|--------------|--------|---------------------|------|--------------------------------|------------------|-------------------------|--------------------|------------------|
| L=.25 | | DIAMETER (IN INCH.) | | INSTALLATION TOOLS | | | | |
| CAT. NO. | COLOR | I.D. | O.D. | RATCHET HYTOOLS | | HYTOOLS | HYPRESSES | |
| | | | | MR8PV TYPE INCLUDES DIE | M8ND DIE SET NO. | Y10R Y10C-1 DIE SET NO. | Y10NCP DIE SET NO. | Y8ND DIE SET NO. |
| YOC 70 | *TIN | .101 | .124 | MR8PV-14S | | R7VST | | |
| YOC 80 | BLUE | .125 | .156 | MR8PV-S | N8VST | R8VST | | N8VST |
| YOC 90 | PURPLE | .149 | .179 | MR8PV-S, MR8PV-1S | N10VST | R14VST-5 | | N10VST |
| YOC 100 | YELLOW | .156 | .196 | MR8PV-S, MR8PV-1S | N10VST | R14VST-5 | | N10VST |
| YOC 110 | BLUE | .180 | .204 | MR8PV-S, MR8PV-1S | N10VST | R14VST-5 | | N10VST |
| YOC 112 | BLUE | .175 | .215 | MR8PV-S, MR8PV-1S | N12VST | R14VST-5 | | N12VST |
| YOC 120 | ORANGE | .187 | .227 | MR8PV-S, MR8PV-1S | N12VST | R14VST-5 | | N12VST |
| YOC 128 | *TIN | .199 | .235 | MR8PV-S, MR8PV-1S | N12VST | R14VST-5 | | N12VST |
| YOC 130 | YELLOW | .207 | .243 | MR8PV-S, MR8PV-1S MR8PV-10S | N12VST N13VST | R14VST-5 R14VST-3 | | N12VST N13VST |
| YOC 140 | GREEN | .219 | .250 | MR8PV-1S MR8PV-11S | N14VST | R14VST-5 | | N14VST |
| YOC 150 | ORANGE | .235 | .266 | MR8PV-2 | N16VT | R18VT-3 | | N16VT |
| YOC 160 | YELLOW | .261 | .297 | MR8PV-2 | N16VT | R18VT-3 | | N16VT |
| YOC 180 | PURPLE | .281 | .331 | MR8PV-2 | | R18VT-3 | | |
| YOC 190 | GREEN | .300 | .335 | MR8PV-2 | | R18VT-3 | | |
| YOC 200 | YELLOW | .312 | .362 | MR8PV-3 | | R20VT | | |
| YOC 220 | ORANGE | .344 | .394 | MR8PV-4 MR8PV-11S | | R22VT | | |
| YOC 240 | BLUE | .375 | .406 | MR8PV-7 | | R24VT | | |
| YOC 250 | RED | .405 | .453 | MR8PV-6 | | R25VT | | |
| YOC 320G1 | PURPLE | .500 | .550 | | | R29VT | | |
| YOC 371G1 | *TIN | .580 | .620 | | | R32VT | | |
| YOC 370 | *TIN | .705 | .755 | MD5-36 | | | | |

| INNER HYRING | | | |
|--------------|--------|---------------------|------|
| L=.31 | | DIAMETER (IN INCH.) | |
| CAT. NO. | COLOR | I.D. | O.D. |
| YIC 046 | *TIN | .046 | .070 |
| YIC 058 | YELLOW | .058 | .083 |
| YIC 063 | RED | .063 | .088 |
| YIC 071 | GREEN | .071 | .096 |
| YIC 080 | BLUE | .080 | .104 |
| YIC 090 | ORANGE | .090 | .114 |
| YIC 101 | YELLOW | .101 | .124 |
| YIC 109 | RED | .109 | .131 |
| YIC 115 | *TIN | .115 | .146 |
| YIC 124 | GREEN | .124 | .145 |
| YIC 125 | YELLOW | .125 | .156 |
| YIC 134 | ORANGE | .134 | .156 |
| YIC 150 | BLUE | .150 | .181 |
| YIC 156 | RED | .166 | .191 |
| YIC 180 | GREEN | .180 | .204 |
| YIC 194 | BLUE | .194 | .255 |
| YIC 219 | *TIN | .219 | .243 |
| YIC 261 | BLUE | .261 | .297 |
| YIC 297 | RED | .297 | .337 |
| YIC 375G1 | *TIN | .375 | .423 |
| YIC 472G1 | *TIN | .472 | .516 |
| YIC 495G1 | *TIN | .495 | .535 |
| YIC 340 | *TIN | .340 | .390 |



PROPER SELECTION OF HYRINGS:

OUTER FERRULES MAY BE USED IN COMBINATION WITH ANY INNER FERRULES, DEPENDING ON THE SIZE OF THE CONDUCTOR, THE THICKNESS OF THE SHIELD AND THE SIZE OF THE GROUND TAP. HOWEVER, DUE TO VARIATION IN INSULATION DIAMETER AND BRAID CONSTRUCTION, THE RECOMMENDED BASIS FOR SIZE SELECTION FOR SHIELDED CABLE IS A FACTORY-INSTALLED, SAMPLE CONNECTION MADE ON ACTUAL WIRE TO BE USED. IF IT IS NOT CONVENIENT TO FORWARD WIRE SAMPLES, SIZES CAN BE DETERMINED AS FOLLOWS:

DETERMINE O.D. OF INNER INSULATION. SELECT INNER HYRING FROM CHART ABOVE HAVING I.D. A MINIMUM OF .005 GREATER THAN THIS DIAMETER. TO THE O.D. OF THIS FERRULE ADD .025 (FOR SINGLE BRAID) PLUS .040 FOR WIRE TAP (UPTO #18), IF USED, AND SELECT OUTER FERRULE HAVING I.D. ATLEAST EQUAL TO THIS FIGURE. THE PROPER CRIMPING TOOL FOR EACH OUTER HYRING IS LISTED ON TABLE.

SUPERSEDES: SA-25594-16

| | | | |
|-----|-----------------------|-----------------|-----------------|
| W | REVISED PER ECN 11866 | CJM 12-12-12 | SDH 12-12-12 |
| REV | DESCRIPTION | BY DATE | CHKD DATE |

DRAWING TITLE
COLORED FERRULES

CAT NO. **YIC & YOC _____ (SEE TABLE)**

CAGE NO: 09922 SIZE: B

CUSTOMER

INTERPRET THIS DRAWING IN ACCORDANCE WITH ASME Y14.5M-1994.

SOURIAU
Connection Technology

www.souriau.com

| | | |
|---------------------|------------|----------|
| APPROVAL | DRAWN: NVM | 11-14-11 |
| | CHKD : SDH | 11-14-11 |
| | DSGN : XXX | mm-dd-yy |
| | MFG : DH | 11-14-11 |
| | QC : BB | 11-14-11 |
| DRAWING SCALE: 8:1 | | |
| DRAWING NO. SA25594 | | REV W |
| | | 1 OF 1 |

LINEAR MEASURE: INCH [mm]

THIRD ANGLE PROJECTION

TOLERANCES UNLESS OTHERWISE SPECIFIED

| No. OF PLACES | INCH [mm] |
|---------------|-------------|
| ONE PLACE | ±.1 [±3] |
| TWO PLACES | ±0.02 [±.5] |
| THREE PLACES | ±0.005 |

ANGLES ±1°

B

A



Компания «ЭлектроПласт» предлагает заключение долгосрочных отношений при поставках импортных электронных компонентов на взаимовыгодных условиях!

Наши преимущества:

- Оперативные поставки широкого спектра электронных компонентов отечественного и импортного производства напрямую от производителей и с крупнейших мировых складов;
- Поставка более 17-ти миллионов наименований электронных компонентов;
- Поставка сложных, дефицитных, либо снятых с производства позиций;
- Оперативные сроки поставки под заказ (от 5 рабочих дней);
- Экспресс доставка в любую точку России;
- Техническая поддержка проекта, помощь в подборе аналогов, поставка прототипов;
- Система менеджмента качества сертифицирована по Международному стандарту ISO 9001;
- Лицензия ФСБ на осуществление работ с использованием сведений, составляющих государственную тайну;
- Поставка специализированных компонентов (Xilinx, Altera, Analog Devices, Intersil, Interpoint, Microsemi, Aeroflex, Peregrine, Syfer, Eurofarad, Texas Instrument, Miteq, Cobham, E2V, MA-COM, Hittite, Mini-Circuits, General Dynamics и др.);

Помимо этого, одним из направлений компании «ЭлектроПласт» является направление «Источники питания». Мы предлагаем Вам помощь Конструкторского отдела:

- Подбор оптимального решения, техническое обоснование при выборе компонента;
- Подбор аналогов;
- Консультации по применению компонента;
- Поставка образцов и прототипов;
- Техническая поддержка проекта;
- Защита от снятия компонента с производства.



Как с нами связаться

Телефон: 8 (812) 309 58 32 (многоканальный)

Факс: 8 (812) 320-02-42

Электронная почта: org@eplast1.ru

Адрес: 198099, г. Санкт-Петербург, ул. Калинина, дом 2, корпус 4, литера А.