

**GENERAL DESCRIPTION**

The SP6699 is an inductor-based DC/DC converter designed to drive up to five white LEDs in series for LCD modules and keypad backlighting functions.

Only one feedback resistor is needed to control the LED current and obtain the desired brightness. A 1.0MHz constant frequency PWM control scheme is used, enabling the usage of small external components. A typical application needs a 1mm tall inductor and a 0.22µF output capacitor. Additionally, the boost circuit Schottky diode is integrated, further reducing the overall foot print.

A logic controlled enable pin allows this device to be placed in a low current consumption mode of a few microamps. Furthermore, the SP6699 is equipped with an over voltage output protection circuit which clamps the output voltage to 27 volts when any LED fails or in other abnormal conditions.

The SP6699 is offered in a small lead free, RoHS compliant 6-pin SOT23 package.

**APPLICATIONS**

- **LCD Modules**
- **Keypad Backlighting**
- **Digital Cameras**
- **GPS Receivers**
- **Portable Media Players**

**FEATURES**

- **High Output Voltage: Up to 27V**
  - Drives 2 to 5 LEDs @ 20mA
  - High Efficiency up to 84%
- **Integrated Schottky Diode**
- **Fast 1.0MHz Switching Frequency**
- **200mV Feedback Voltage**
- **PWM Dimming Capability up to 1KHz**
- **Over Output Voltage Protection**
- **Internal Soft Start Circuit**
- **Small SOT23-6 Package Sub feature**

**TYPICAL APPLICATION DIAGRAM**

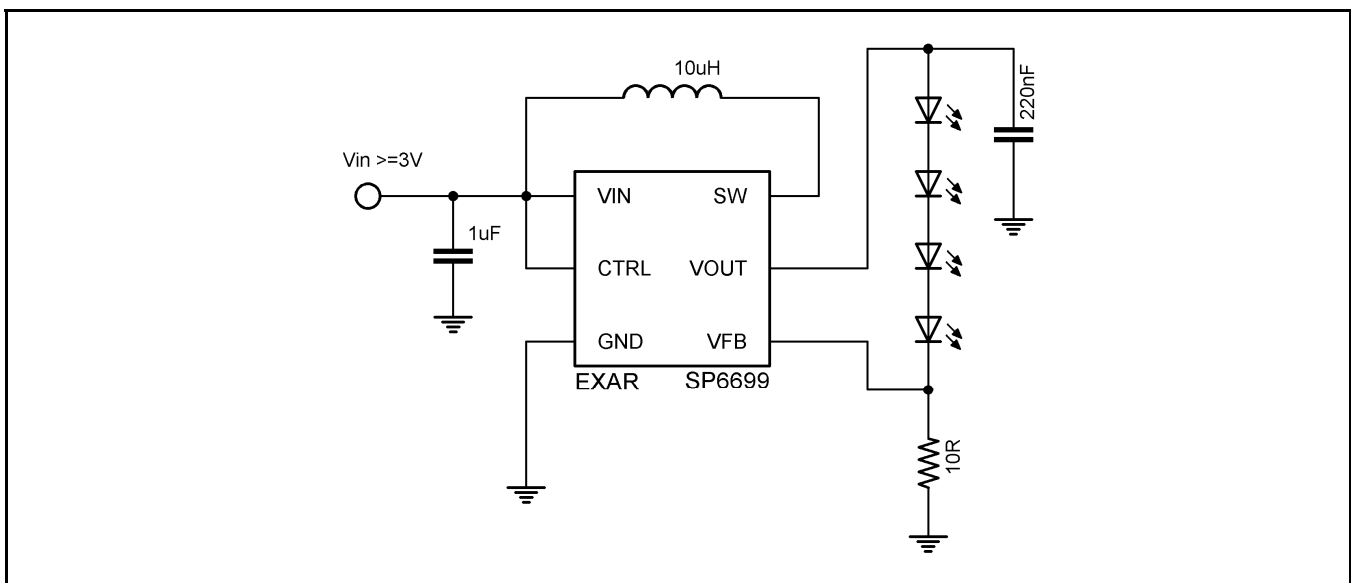


Fig. 1: SP6699 Application Diagram



**ABSOLUTE MAXIMUM RATINGS**

These are stress ratings only and functional operation of the device at these ratings or any other above those indicated in the operation sections of the specifications below is not implied. Exposure to absolute maximum rating conditions for extended periods of time may affect reliability.

Input Voltage  $V_{IN}$  ..... 20V  
 SW Voltage..... 27V  
 FB Voltage..... 20V  
 CTRL Voltage ..... 20V  
 Operating Junction Temperature ..... 150°C  
 Storage Temp. Range  $T_{STG}$  ..... -65°C to 150°C  
 Lead Temperature (sold. 10s)  $T_{LEAD}$  ..... 260°C  
 ESD Ratings – Human Body Model.....2000V  
 ESD Ratings – Machine Model .....250V  
 Moisture Sensitivity Level (MSL)..... 3

**OPERATING RATINGS**

Input Voltage Range  $V_{IN}$ .....2.7V to 16V  
 Operating Temperature Range..... -40°C to 85°C  
 CTRL Voltage  $V_{CTRL}$  ..... 16V  
 Thermal Resistance (junction to Atm.)  $R_{\theta JA}$ .....265°C/W

**ELECTRICAL SPECIFICATIONS**

Specifications with standard type are for an Operating Junction Temperature of  $T_A = 25^\circ\text{C}$  only; limits applying over the full Operating Junction Temperature range are denoted by a “•”. Minimum and Maximum limits are guaranteed through test, design, or statistical correlation. Typical values represent the most likely parametric norm at  $T_A = 25^\circ\text{C}$ , and are provided for reference purposes only. Unless otherwise indicated,  $V_{IN} = 3V$ ,  $V_{CTRL} = 3V$ ,  $T_A = 25^\circ\text{C}$ .

Parameter	Min.	Typ.	Max.	Units	Conditions
Operating Voltage	2.5		16	V	
Feedback Voltage $V_{FB}$	188	200	212	mV	• $I_{OUT}=20\text{mA}$ , 4 LEDs
FB Pin Bias Current $I_{FB}$		35	100	nA	
Supply Current $I_{CC}$	1.3	2.0	2.7	mA	$V_{FB} = V_{IN}$ , not switching
Supply Current $I_Q$	2.0	3.2	5.0	$\mu\text{A}$	$V_{CTRL} = 0V$
Switching Frequency $f$	0.7	1.0	1.3	MHZ	
Maximum Duty Cycle $D_{MAX}$	90	93		%	
Switch Current Limit (Note 1)		500		mA	$T_A=25^\circ\text{C}$ , $D=40\%$
$I_{LIMIT}$		250		mA	$T_A=25^\circ\text{C}$ , $D=80\%$
Switch $V_{CE}$ Saturation Voltage $V_{CESAT}$		360		mV	$I_{SW}=250\text{mA}$
Switch Leakage Current		0.01	5	$\mu\text{A}$	$V_{SW}=5V$
CTRL Pin Voltage $V_{CTRL}$ - High	1.8			V	
CTRL Pin Voltage $V_{CTRL}$ - Low			0.05	V	
CTRL Bias Current $I_{CTRL}$	40	55	72	$\mu\text{A}$	
		50		$\mu\text{A}$	$T_A=85^\circ\text{C}$
		75		$\mu\text{A}$	$T_A=-40^\circ\text{C}$
Schottky Forward Drop $V_{DROP}$		0.7		V	$I_D=150\text{mA}$
Schottky Leakage Current		0.1	4	$\mu\text{A}$	$V_R=23V$
			150	$\mu\text{A}$	$V_R=27V$
Soft Start Time $t$		300		$\mu\text{s}$	

Note 1: The switch current limit is related to the duty cycle. Refer to figure 16 for details.

**BLOCK DIAGRAM**

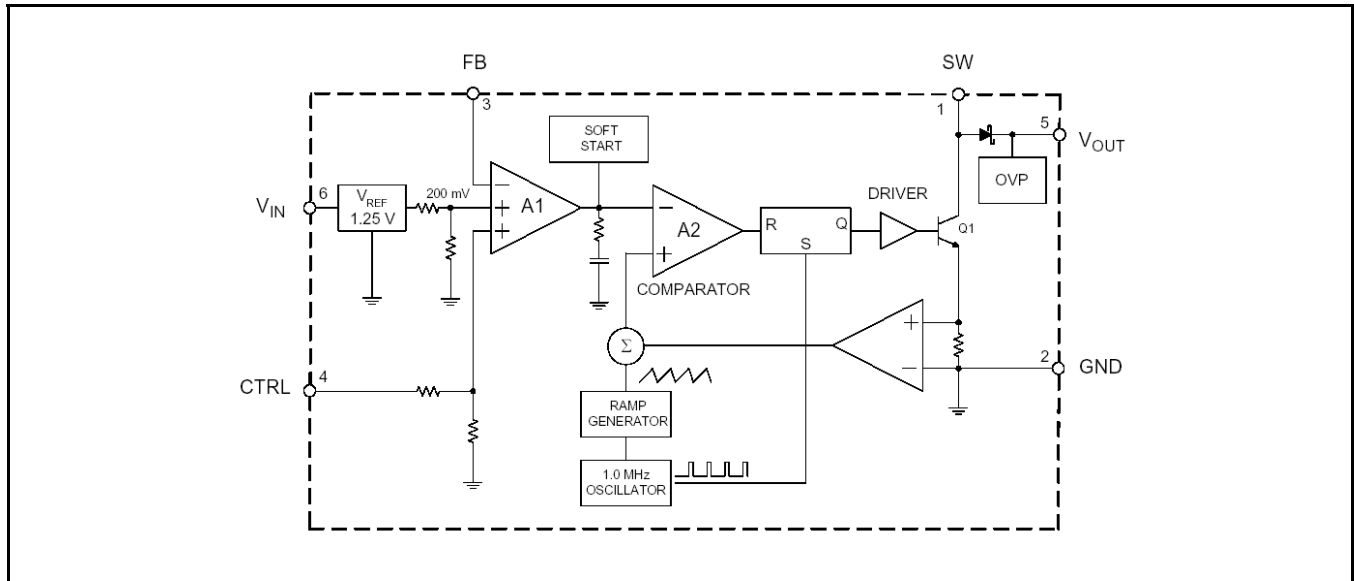


Fig. 2: SP6699 Block Diagram

**PIN ASSIGNMENT**

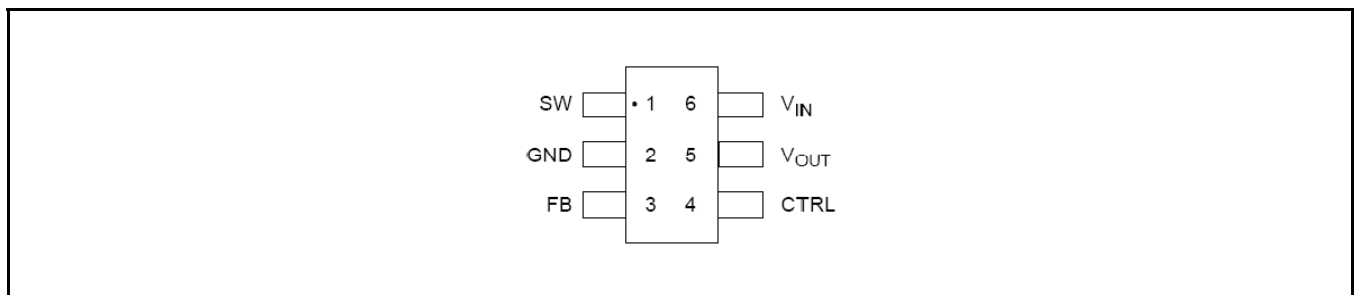


Fig. 3: SP6699 Pin Assignment

**PIN DESCRIPTION**

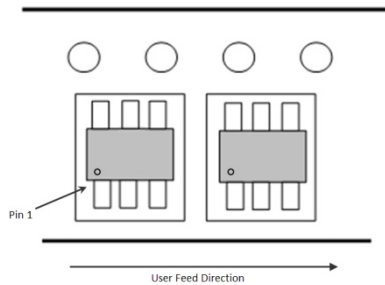
Name	Pin Number	Description
SW	1	Switch pin. Connect external inductor
GND	2	Ground signal pin
FB	3	Voltage Feedback. Reference voltage is 200mV
CTRL	4	Shutdown and dimming pin. $V_{CTRL} > 1.8V$ : Device enabled $50mV < V_{CTRL} < 1.8V$ : Linear dimming $V_{CTRL} < 50mV$ : Device disabled
VOUT	5	Output pin. Connected to the cathode of the internal schottky diode.
VIN	6	Input supply pin. Must be locally bypassed.

**ORDERING INFORMATION**

Part Number	Temperature Range	Marking	Package	Packing Quantity	Note 1	Note 2
SP6699EK-L/TR	-40°C ≤ T <sub>A</sub> ≤ +85°C	PBWW	SOT-23-6	3K/Tape & Reel	Lead Free	
SP6699EB	SP6699 Evaluation Board					

“WW” = Work Week

Note that the SP6699 series is packaged in Tape and Reel with a reverse part orientation as per the following diagram



**TYPICAL PERFORMANCE CHARACTERISTICS**

All data taken at  $V_{IN} = 3.6V$ ,  $EN = V_{IN}$ ,  $R_{SET} = 24k\Omega$ ,  $T_A = 25^\circ C$ , unless otherwise specified - Schematic and BOM from Application Information section of this datasheet.

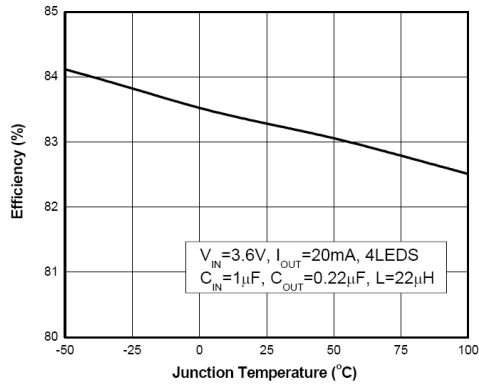


Fig. 4: Efficiency vs. Junction Temperature

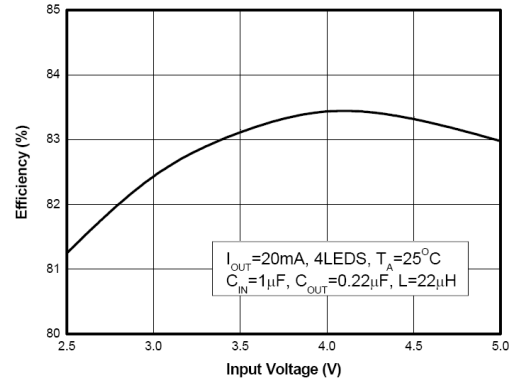


Fig. 5: Efficiency vs. Input Voltage

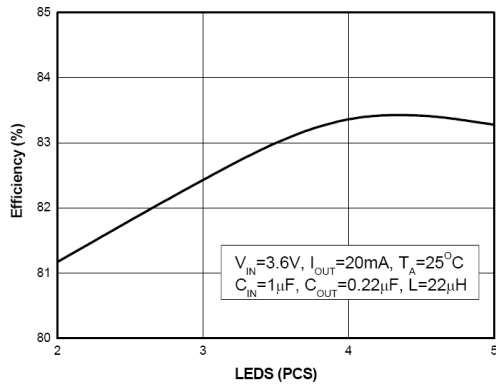


Fig. 6: Efficiency vs. Number of LEDs

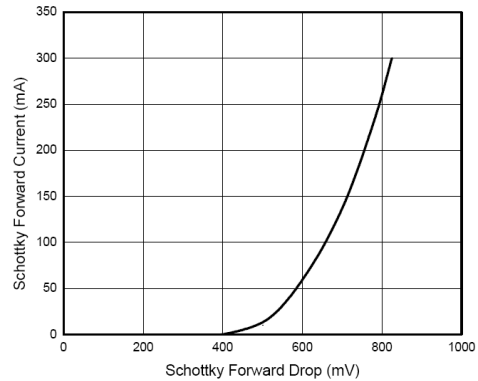


Fig. 7: Schottky Forward Current vs Schottky Forward Drop

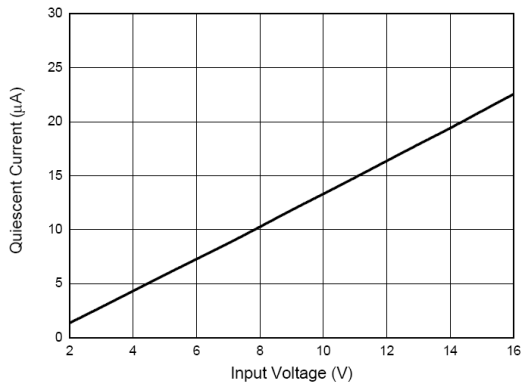


Fig. 8: Shutdown Quiescent Current vs Input Voltage

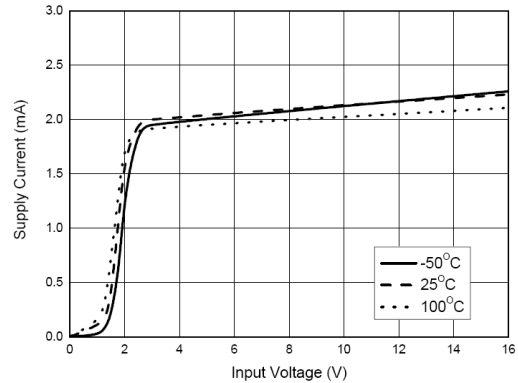


Fig. 9: Supply Current vs Input Voltage

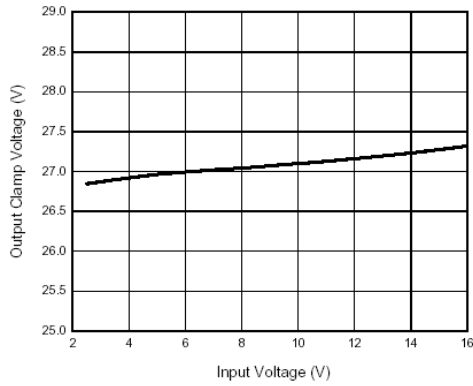


Fig. 10: Output Clamp vs Input Voltage

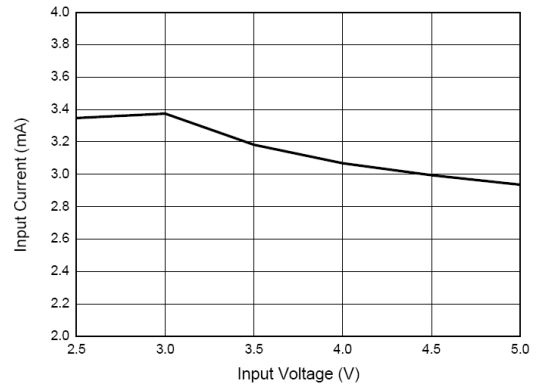


Fig. 11: Input Current in Output Open Circuit vs Input Voltage

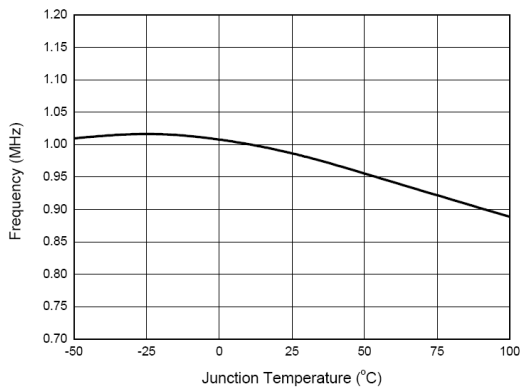


Fig. 12: Switching Frequency vs Junction Temperature

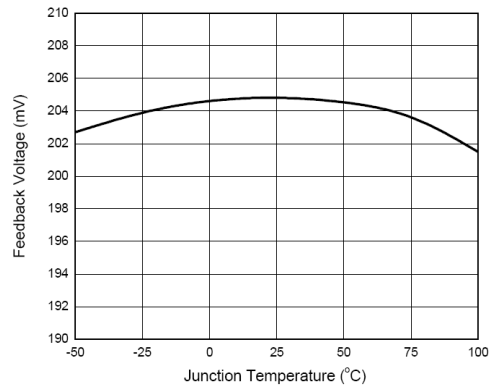


Fig. 13: Feedback Voltage vs Junction Temperature

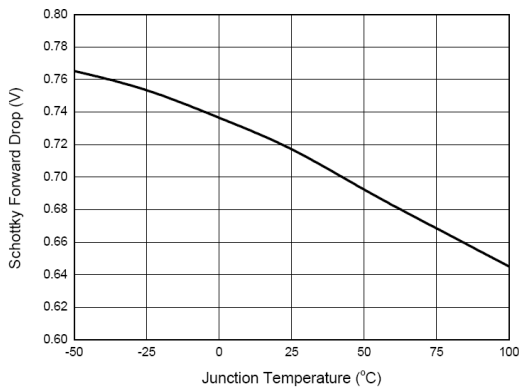


Fig. 14: Schottky Forward Drop vs Junction Temperature

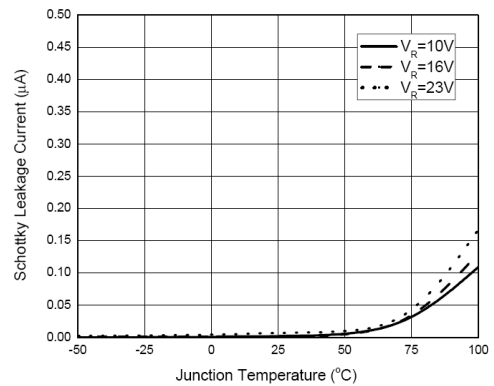


Fig. 15: Schottky Leakage Current vs Junction Temperature

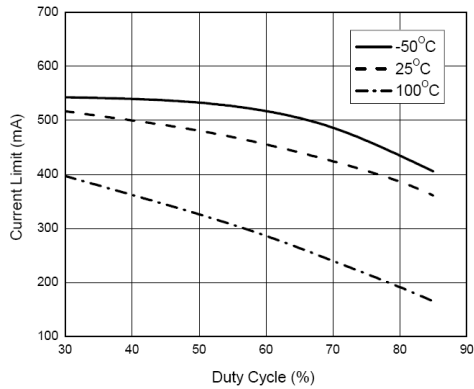


Fig. 16: Switch Current Limit vs Duty Cycle

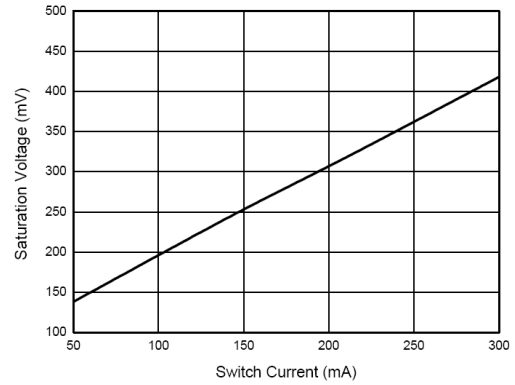


Fig. 17: Switch Saturation Current vs Switch Current

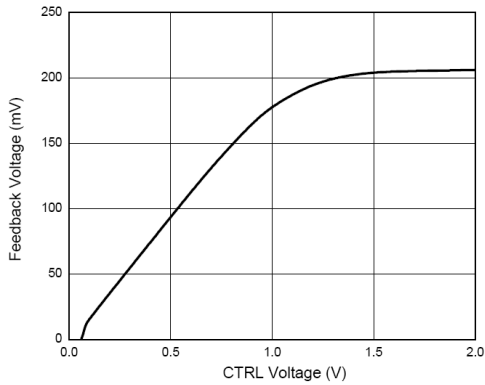


Fig. 18: Feedback Voltage vs CTRL Pin Voltage

**THEORY OF OPERATION**

**DETAILED DESCRIPTION**

The SP6699 is a boost DC-DC converter which uses a constant frequency, current mode control scheme to provide excellent line and load regulation. Operation can be best understood by referring to the Figure 1. At the start of each oscillator cycle, the SR latch is set and the switch Q1 turns on. The switch current will increase linearly. The voltage on sense resistor is proportional to the switch current. The output of the current sense amplifier is added to a stabilizing ramp and the result is fed into the non-inversion input of the PWM comparator A2. When this voltage exceeds the output voltage level of the error amplifier A1, the SR latch is reset and the switch is turned off. It is clear that the voltage level at non-inversion input of A2 sets the peak current level to keep the output in regulation. This voltage level is the output signal of error amplifier A1, and is the amplified signal of the voltage difference between feedback voltage and reference voltage of 200mV. So, a constant output current can be provided by this operation mode.

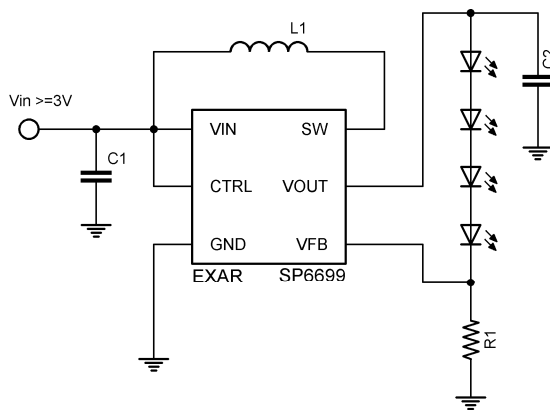


Fig. 19: R1 Selection Typical Application Circuit

**LED CURRENT CONTROL**

Refer to Figure 19, the LED current is controlled by the feedback resistor R1. LEDs' current accuracy is determined by the regulator's feedback threshold accuracy and is independent of the LED's forward voltage variation. So the precise resistors are

preferred. The resistance of R1 is in inverse proportion to the LED current since the feedback reference is fixed at 200mV. The relation for R1 and LED current can be expressed as below:

$$R1 = 200\text{mV} / I_{LED}$$

**OVER VOLTAGE PROTECTION**

The SP6699 has an internal open-circuit protection circuit. When the LEDs are disconnected from the circuit or fail open, the output voltage is clamped at 27V. The SP6699 will switch at a low frequency, and minimize input current.

**SOFT START**

The SP6699 has an internal soft start circuit to limit the inrush current during startup. The startup delay is controlled by internal soft start capacitor. Please refer to Figure 20.

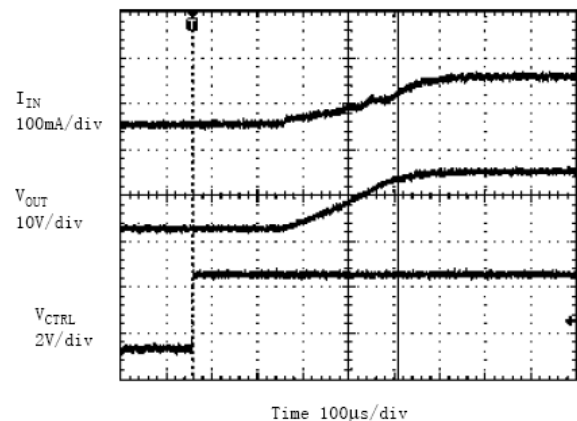


Fig. 20: Soft Start Waveform  
V<sub>IN</sub>=3.6V, 4 LEDs, I<sub>LED</sub>=20mA

**DIMMING CONTROL**

Two typical types of dimming control circuit are present. First, controlling the CTRL Pin voltage to change operation state is a good choice. Second, changing the feedback voltage to get appropriate duty and luminous intensity is also useful.

**Adding a control signal to CTRL pin**

There are three methods to control CTRL pin signal.

First, adding a PWM Signal to the CTRL pin directly. The SP6699 is turned on or off by the



PWM signal when it is applied on the CTRL pin. The typical frequency of this PWM signal is 200Hz to 1KHz. Please refer to figure 21.

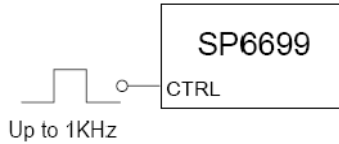


Fig. 21: Dimming Control using a PWM Signal on CTRL Pin

Secondly, adding a constant DC voltage through a resistor divider to CTRL pin can control the dimming. The FB voltage is indirectly adjusted when the CTRL pin voltage is between 50mV to 1.8V, which can be used as dimming control. Please refer to figure 22.

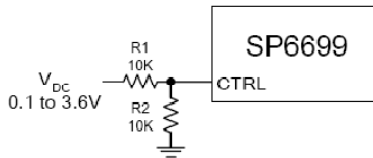


Fig. 22: Dimming Control using a DC Voltage on CTRL Pin

Thirdly, using a filtered PWM signal added to the CTRL pin can achieve dimming control. The filtered PWM signal can be considered as an adjustable DC voltage. It will change the FB voltage indirectly and achieve dimming control. The circuit is shown in Figure 23.

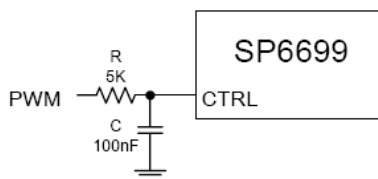


Fig. 23: Dimming Control using a Filtered PWM Signal on CTRL Pin

**Changing the effective feedback voltage**

There are three methods to change the effective feedback voltage.

First, adding a constant DC voltage through a resistor divider to FB pin can control the dimming. Changing the DC voltage or resistor

between the FB Pin and the DC voltage can get appropriate luminous intensity. Comparing with all kinds of PWM signal control, this method features a stable output voltage and LEDs current. Please refer to figure 24.

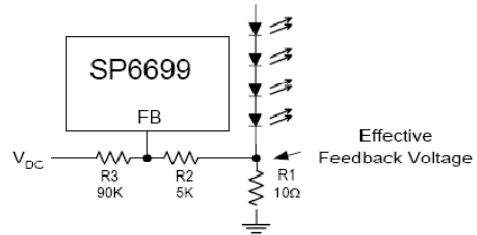


Fig. 24: Dimming Control using a DC Voltage

Second, using a filtered PWM signal can do it. The filtered PWM signal can be considered as a varying and adjustable DC voltage.

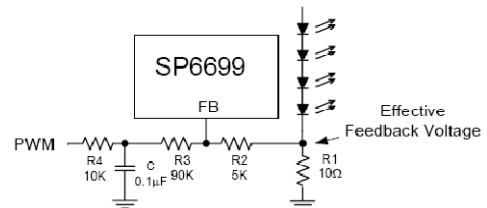


Fig. 25: Dimming Control using a Filtered PWM Voltage

Third, using a logic signal to change the feedback voltage. For example, the FB pin is connected to the GND through a MOSFET and a resistor. And this MOSFET is controlled by a logic signal. The luminous intensity of LEDs will be changed when the MOSFET turns on or off.

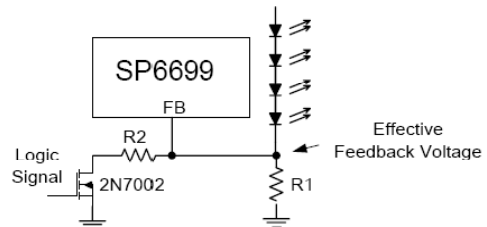
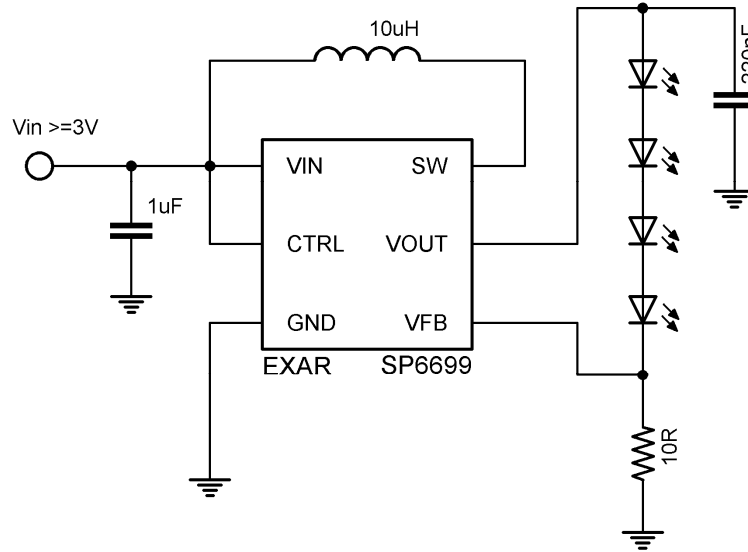


Fig. 26: Dimming Control using Logic Signal

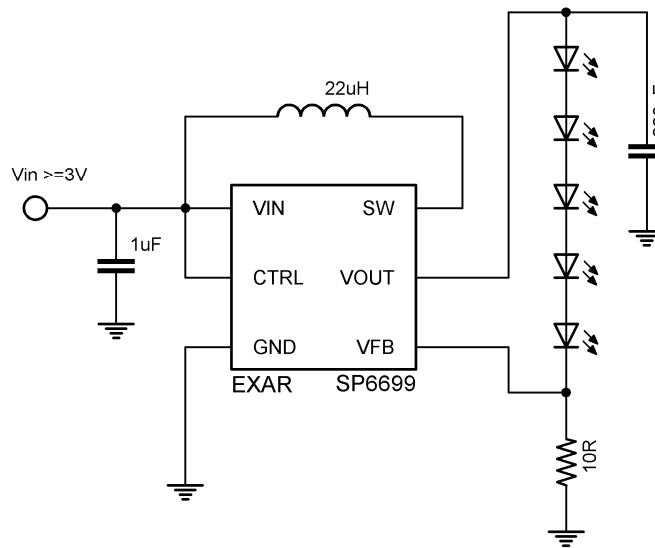
**TYPICAL APPLICATION CIRCUITS**

**4 White LEDs Driver**



C: X5R or X7R Dielectric  
L: Sumida CDRH5D28R-100NC or equivalent  
For use over the full operating temperature range

**5 White LEDs Driver**

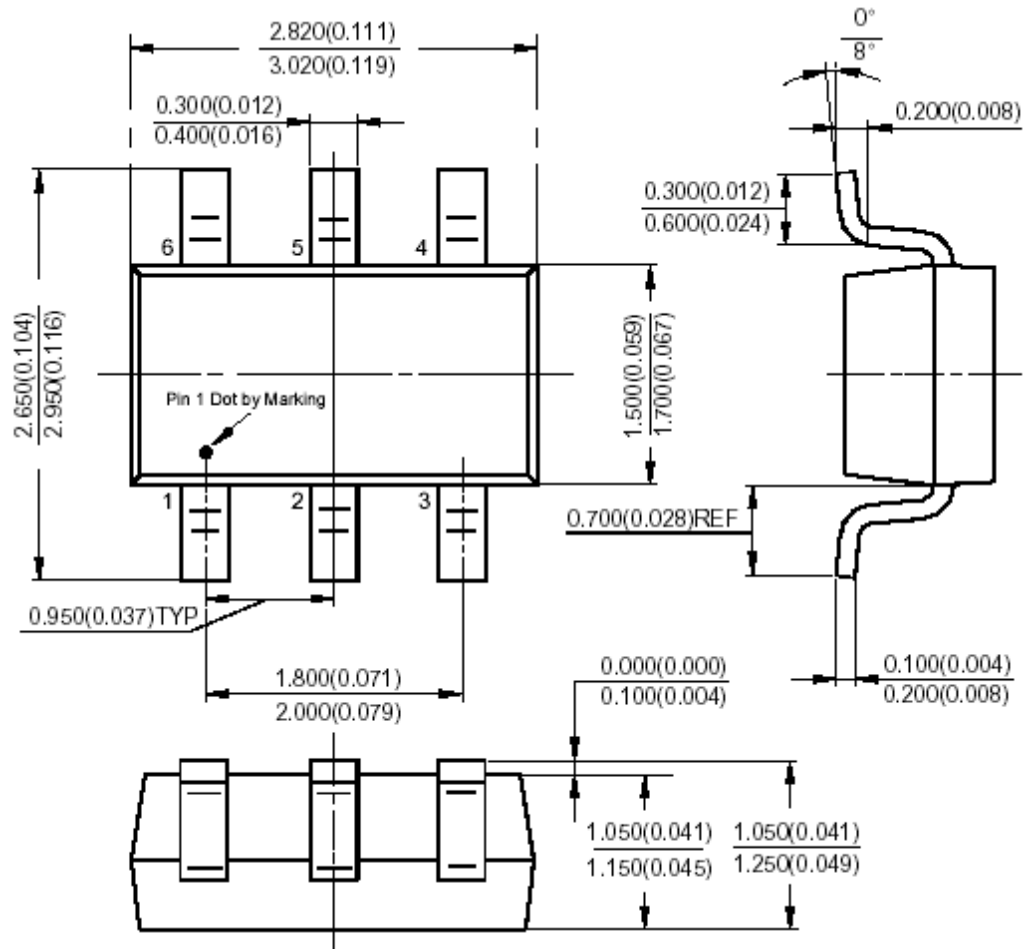


C: X5R or X7R Dielectric  
L: Sumida CDRH5D28R-220NC or equivalent  
For use over the full operating temperature range

**PACKAGE SPECIFICATION**

**6-PIN SOT23**

Unit: mm (inch)





**REVISION HISTORY**

<b>Revision</b>	<b>Date</b>	<b>Description</b>
E	01/21/08	Initial Data Sheet
2.0.0	04/27/09	Reformat of Datasheet Corrections of typographical errors
2.1.0	10/01/2011	Inclusion of Tape and Reel part orientation and MSL level information

**FOR FURTHER ASSISTANCE**

Email: [customersupport@exar.com](mailto:customersupport@exar.com)  
Exar Technical Documentation: <http://www.exar.com/TechDoc/default.aspx?>

**EXAR CORPORATION**

**HEADQUARTERS AND SALES OFFICES**

48720 Kato Road  
Fremont, CA 94538 – USA  
Tel.: +1 (510) 668-7000  
Fax: +1 (510) 668-7030  
[www.exar.com](http://www.exar.com)



**NOTICE**

EXAR Corporation reserves the right to make changes to the products contained in this publication in order to improve design, performance or reliability. EXAR Corporation assumes no responsibility for the use of any circuits described herein, conveys no license under any patent or other right, and makes no representation that the circuits are free of patent infringement. Charts and schedules contained here in are only for illustration purposes and may vary depending upon a user’s specific application. While the information in this publication has been carefully checked; no responsibility, however, is assumed for inaccuracies.

EXAR Corporation does not recommend the use of any of its products in life support applications where the failure or malfunction of the product can reasonably be expected to cause failure of the life support system or to significantly affect its safety or effectiveness. Products are not authorized for use in such applications unless EXAR Corporation receives, in writing, assurances to its satisfaction that: (a) the risk of injury or damage has been minimized; (b) the user assumes all such risks; (c) potential liability of EXAR Corporation is adequately protected under the circumstances.

Reproduction, in part or whole, without the prior written consent of EXAR Corporation is prohibited.



Компания «ЭлектроПласт» предлагает заключение долгосрочных отношений при поставках импортных электронных компонентов на взаимовыгодных условиях!

Наши преимущества:

- Оперативные поставки широкого спектра электронных компонентов отечественного и импортного производства напрямую от производителей и с крупнейших мировых складов;
- Поставка более 17-ти миллионов наименований электронных компонентов;
- Поставка сложных, дефицитных, либо снятых с производства позиций;
- Оперативные сроки поставки под заказ (от 5 рабочих дней);
- Экспресс доставка в любую точку России;
- Техническая поддержка проекта, помощь в подборе аналогов, поставка прототипов;
- Система менеджмента качества сертифицирована по Международному стандарту ISO 9001;
- Лицензия ФСБ на осуществление работ с использованием сведений, составляющих государственную тайну;
- Поставка специализированных компонентов (Xilinx, Altera, Analog Devices, Intersil, Interpoint, Microsemi, Aeroflex, Peregrine, Syfer, Eurofarad, Texas Instrument, Miteq, Cobham, E2V, MA-COM, Hittite, Mini-Circuits, General Dynamics и др.);

Помимо этого, одним из направлений компании «ЭлектроПласт» является направление «Источники питания». Мы предлагаем Вам помощь Конструкторского отдела:

- Подбор оптимального решения, техническое обоснование при выборе компонента;
- Подбор аналогов;
- Консультации по применению компонента;
- Поставка образцов и прототипов;
- Техническая поддержка проекта;
- Защита от снятия компонента с производства.



#### Как с нами связаться

**Телефон:** 8 (812) 309 58 32 (многоканальный)

**Факс:** 8 (812) 320-02-42

**Электронная почта:** [org@eplast1.ru](mailto:org@eplast1.ru)

**Адрес:** 198099, г. Санкт-Петербург, ул. Калинина, дом 2, корпус 4, литера А.