

---

---

## USB-to-GPIO Bridging with Microchip USB70xx Hubs

---

---

*Authors: Josh Averyt and Andrew Rogers  
Microchip Technology Inc.*

### INTRODUCTION

The USB-to-GPIO bridging feature of Microchip's USB70xx family of hubs provides system designers expanded system control and potential BOM reductions. General Purpose Input/Outputs (GPIOs) may be used for any general 3.3V-level digital control and input functions.

Commands may be sent from the USB Host to the internal Hub Feature Controller (HFC) device in the Microchip hub to perform the following functions:

- Set the direction of the GPIO (input or output)
- Enable a pull-up resistor
- Enable a pull-down resistor
- Read the state
- Set the state

### SECTIONS

[General Information](#)

[Part Number-Specific Information](#)

[SDK Implementation](#)

[Manual Implementation](#)

[Examples](#)

### REFERENCES

Consult the following documents for details on the specific parts referred to in this application note:

- *Microchip USB7002 Data Sheet*
- *Microchip USB7050 Data Sheet*
- *Microchip USB7051 Data Sheet*
- *Microchip USB7052 Data Sheet*
- *Microchip USB7056 Data Sheet*
- *Microchip Configuration Options for the USB70xx*

# AN2750

## GENERAL INFORMATION

Microchip hub USB Bridging features work via host commands sent to an embedded Hub Feature Controller within the device located on an additional internal USB port. In order for the bridging features to work correctly, this internal Hub Feature Controller must be enabled by default. [Table 1](#) provides details on default Hub Feature Controller settings per device.

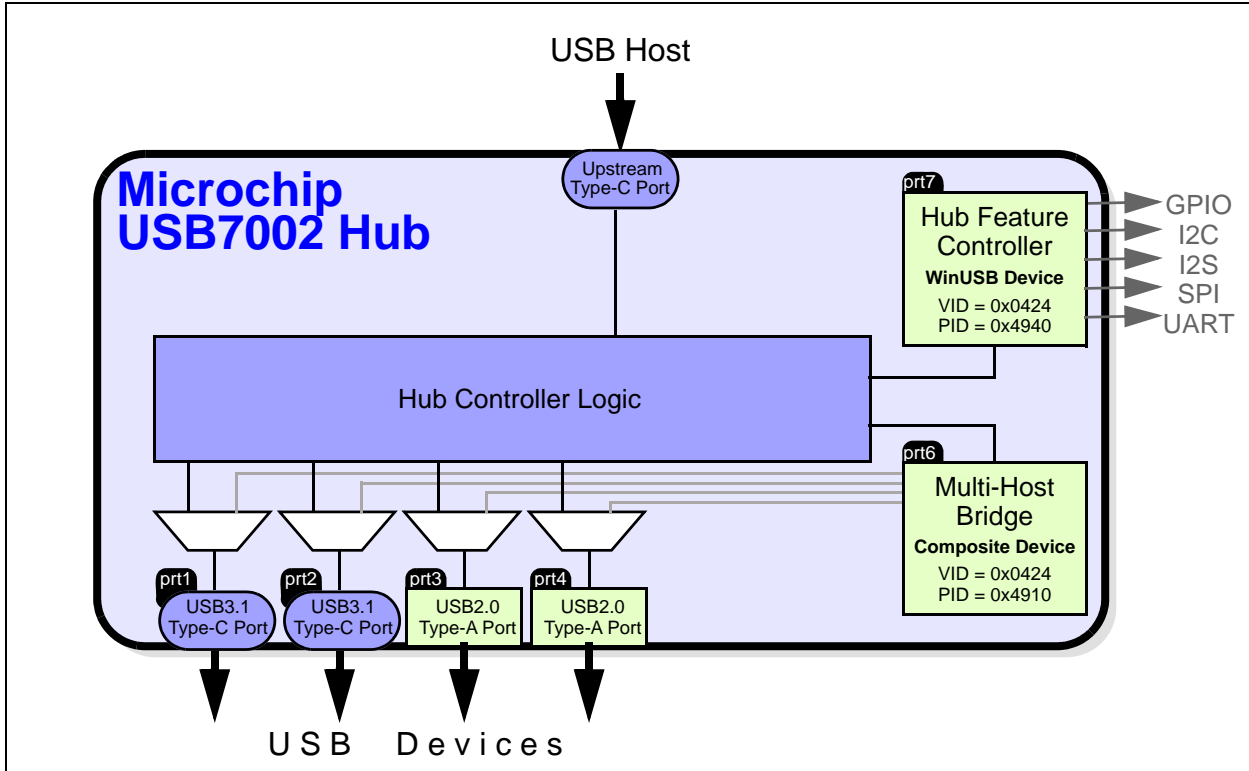
**TABLE 1: DEFAULT SETTINGS FOR HUB FEATURE CONTROLLER ENABLE**

Part Number	Part Summary	Hub Feature Controller Default Setting
USB7002	4-Port USB3.1 Gen1 Hub	Enabled by default on port 6
USB7050	4-Port USB3.1 Gen1 Hub with USB power delivery on 3 ports	Enabled by default on port 6
USB7051	4-Port USB3.1 Gen1 Hub with USB power delivery on 2 ports	Enabled by default on port 6
USB7052	4-Port USB3.1 Gen1 Hub with USB power delivery on 1 port	Enabled by default on port 6
USB7056	6-Port USB3.1 Gen1 Hub with USB power delivery on 1 port	Enabled by default on port 8

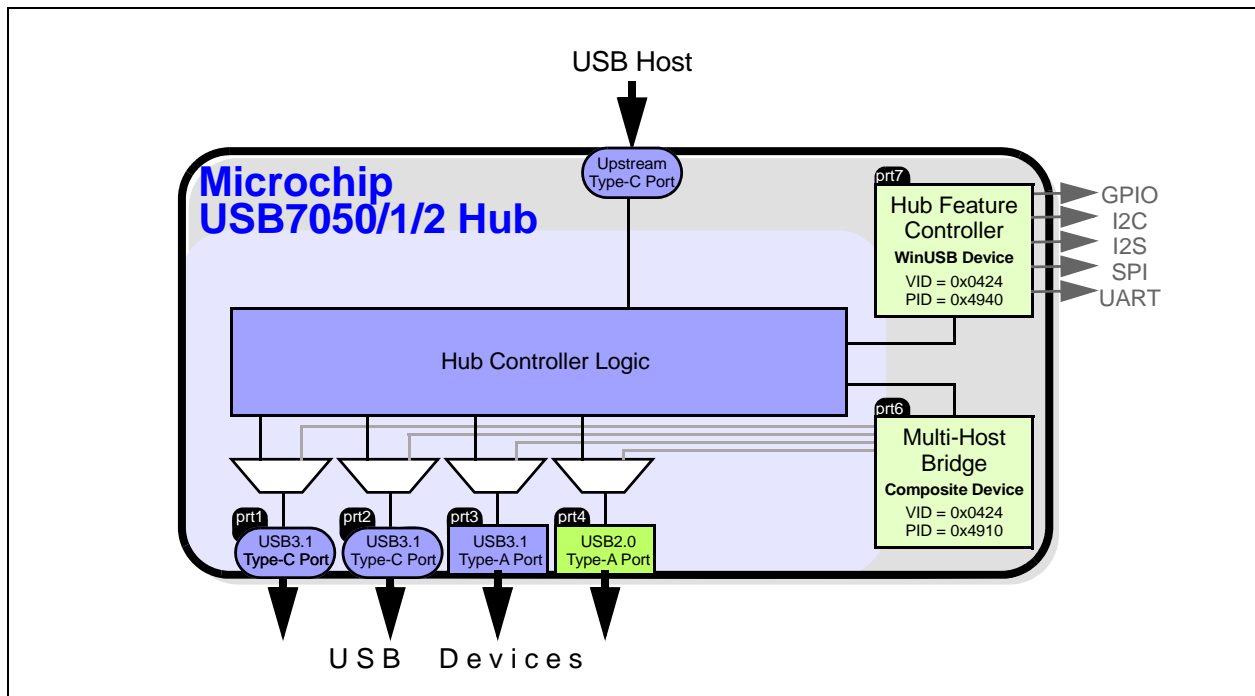
The Hub Feature Controller is connected to an extra internal port in the hub. It is mapped to the highest numbered port on the hub by default.

The Hub Feature Controller example for the USB7002 is illustrated in [Figure 1](#), while the Hub Feature Controller example for the USB7050, USB7051, and USB7052 is in [Figure 2](#). A sample of the Hub Feature Controller for USB7056 is shown in [Figure 3](#).

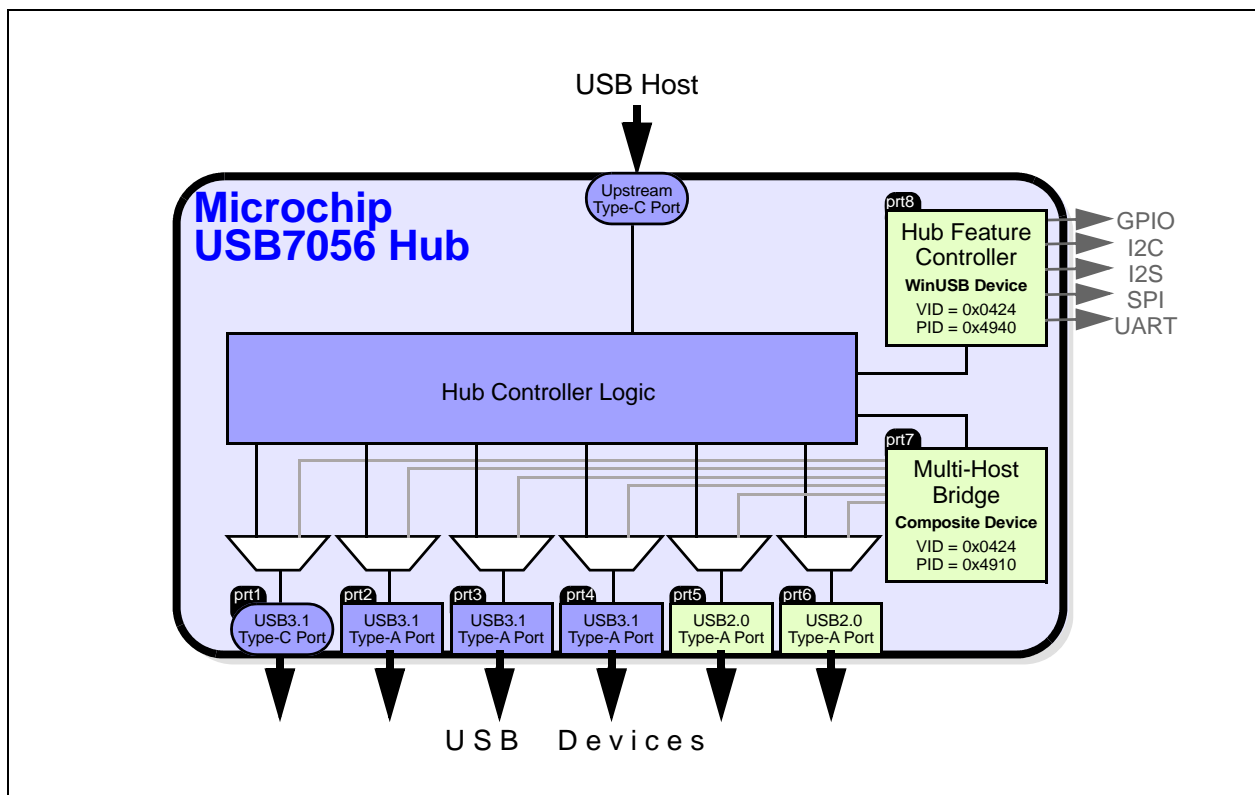
**FIGURE 1: USB7002 HUB FEATURE CONTROLLER EXAMPLE**



**FIGURE 2: USB7050, USB7051, AND USB7052 HUB FEATURE CONTROLLER EXAMPLE**



**FIGURE 3: USB7056 HUB FEATURE CONTROLLER EXAMPLE**



# AN2750

---

The following GPIO functions are supported:

- [Set the GPIO Direction \(Input or Output\)](#)
- [Enable GPIO Internal Pull-up Resistor](#)
- [Enable GPIO Internal Pull-down Resistor](#)
- [GPIO Read State \(Input Mode\)](#)
- [GPIO Set State \(Output Mode\)](#)

## Set the GPIO Direction (Input or Output)

Each GPIO can be configured as either a Schmitt-triggered input or output with an 8 mA sink/source.

## Enable GPIO Internal Pull-up Resistor

Each GPIO can be enabled with a 50 uA (typical) internal pull-up resistor. Internal pull-up resistors prevent unconnected inputs from floating. The pull-up is only 67k, so it may not be strong enough to drive a load of less than 100k. When connected to a load that must be pulled high, an external resistor must be added.

## Enable GPIO Internal Pull-down Resistor

Each GPIO can be enabled with a 50 uA (typical) internal pull-down resistor. Internal pull-down resistors prevent unconnected inputs from floating. The pull-down is only 67k, so it may not be strong enough to drive a load of less than 100k. When connected to a load that must be pulled low, an external resistor must be added.

## GPIO Read State (Input Mode)

Read a 0: GPIO is below 0.9V.

Read a 1: GPIO is above 1.9V.

<b>Note:</b> When configured as an input, the GPIOs are digital Schmitt-triggered inputs. The range 0.8V to 2.0V is an indeterminate input state, so 3.3V-to-2.5V signaling is supported.
---

## GPIO Set State (Output Mode)

Set to 0: GPIO Drives to 0.0V. When driven low, an 8 mA sink is enabled, driving the pin to 0.4V or lower.

Set to 1: GPIO Drives to 3.3V. When driven high, an 8 mA source is enabled, driving the pin to VDD33 to 0.4V or higher.

## PART NUMBER-SPECIFIC INFORMATION

### Part Summary

Table 2 summarizes the total number of available GPIOs by part number. Many of the GPIOs on the hub are only available after configuration. The following methods may be used to configure the hub:

- **ProTouch:** If configuring via internal One-Time Programmable (OTP) memory or SPI EEPROM with a base firmware file
- **SMBus/I<sup>2</sup>C Configuration:** If using an embedded SoC/I<sup>2</sup>C EEPROM to configure the hub at each start-up/reset
- **Pin Strapping:** Many of the GPIOs are made available by specific pin strapping or by simply not populating an SPI EEPROM device.

**TABLE 2: GPIO AVAILABILITY SUMMARY**

	USB7002	USB7050	USB7051	USB7052	USB7056
<b>Minimum GPIOs Available</b>	4 (CONFIG2)	8 (CONFIG1)	4 (CONFIG3)	1 (CONFIG3)	1 (CONFIG2)
<b>Maximum GPIOs Available</b>	12 (CONFIG4)	14 (CONFIG4)	11 (CONFIG4)	8 (CONFIG4)	2 (CONFIG1)

**TABLE 3: USB7002 GPIOs**

	CONFIG1 (I <sup>2</sup> C)	CONFIG2 (I <sup>2</sup> S)	CONFIG3 (UART)	CONFIG4 (FLEX)
<b>PF6</b>	GPIO70	GPIO70	UART_RX	GPIO70
<b>PF7</b>	GPIO71	MIC_DET	UART_TX	GPIO71
<b>PF12</b>	GPIO76	—	—	GPIO76
<b>PF14</b>	GPIO78	I2S_SDI	UART_nCTS	GPIO78
<b>PF18</b>	MSTR_I2C_CLK	I2S_LRCK	UART_nDCD	GPIO82
<b>PF19</b>	MSTR_I2C_DATA	I2S_SDO	UART_nRTS	GPIO83
<b>PF26</b>	SLV_I2C_CLK	I2S_SCK	UART_nDSR	GPIO90
<b>PF27</b>	SLV_I2C_DATA	I2S_MCLK	UART_nDTR	GPIO91
<b>PF28</b>	GPIO92	GPIO92	GPIO92	GPIO92
<b>PF29</b>	GPIO93	GPIO93	GPIO93	GPIO93
<b>PF30</b>	GPIO94	MSTR_I2C_CLK	GPIO94	GPIO94
<b>PF31</b>	GPIO95	MSTR_I2C_DATA	GPIO95	GPIO95

# AN2750

**TABLE 4: USB7050 GPIOs**

	CONFIG1 (I <sup>2</sup> C)	CONFIG2 (I <sup>2</sup> S)	CONFIG3 (UART)	CONFIG4 (FLEX)	CONFIG5
PF2	GPIO66	GPIO66	UART_nCTS	GPIO66	GPIO66
PF3	GPIO67	I2S_SDI	UART_nRTS	GPIO67	GPIO67
PF4	PD_SPI_CE_N2	I2S_SDO	UART_nDSR	GPIO68	GPIO68
PF5	PD_SPI_CE_N1	I2S_SCK	UART_nDTR	GPIO69	GPIO69
PF6	PD_SPI_CE_N0	I2S_LRCK	UART_RX	GPIO70	GPIO70
PF7	PD_SPI_CLK	I2S_MCLK	UART_TX	GPIO71	GPIO71
PF14	GPIO78	GPIO78	GPIO78	GPIO78	GPIO78
PF19	SLV_I2C_DATA	SLV_I2C_DATA	SLV_I2C_DATA	GPIO83	SLV_I2C_DATA
PF26	SLV_I2C_CLK	SLV_I2C_CLK	SLV_I2C_CLK	GPIO90	SLV_I2C_CLK
PF27	GPIO91	MIC_DET	GPIO91	GPIO91	GPIO91
PF28	GPIO92	GPIO92	GPIO92	GPIO92	GPIO92
PF29	GPIO93	GPIO93	GPIO93	GPIO93	GPIO93
PF30	GPIO94	GPIO94	GPIO94	GPIO94	GPIO94
PF31	GPIO95	GPIO95	GPIO95	GPIO95	GPIO95

**TABLE 5: USB7051 GPIOs**

	CONFIG1 (I <sup>2</sup> C)	CONFIG2 (I <sup>2</sup> S)	CONFIG3 (UART)	CONFIG4 (FLEX)
PF4	GPIO68	GPIO68	GPIO68	GPIO68
PF6	GPIO70	GPIO70	UART_RX	GPIO70
PF7	GPIO71	MIC_DET	UART_TX	GPIO71
PF14	GPIO78	I2S_SDI	UART_nCTS	GPIO78
PF19	SLV_I2C_DATA	I2S_SDO	UART_nRTS	GPIO83
PF26	SLV_I2C_CLK	I2S_SCK	UART_nDSR	GPIO90
PF27	GPIO91	I2S_MCLK	UART_nDTR	GPIO91
PF28	GPIO92	I2S_LRCK	UART_nDCD	GPIO92
PF29	GPIO93	GPIO93	GPIO93	GPIO93
PF30	GPIO94	GPIO94	GPIO94	GPIO94
PF31	GPIO95	GPIO95	GPIO95	GPIO95

**TABLE 6: USB7052 GPIOs**

	<b>CONFIG1 (I<sup>2</sup>C)</b>	<b>CONFIG2 (I<sup>2</sup>S)</b>	<b>CONFIG3 (UART)</b>	<b>CONFIG4 (FLEX)</b>
<b>PF6</b>	GPIO70	GPIO70	<i>UART_RX</i>	GPIO70
<b>PF7</b>	GPIO71	<i>MIC_DET</i>	<i>UART_TX</i>	GPIO71
<b>PF14</b>	GPIO78	<i>I2S_SDI</i>	<i>UART_nCTS</i>	GPIO78
<b>PF19</b>	SLV_I2C_DATA	I2S_SDO	<i>UART_nRTS</i>	GPIO83
<b>PF26</b>	<i>SLV_I2C_CLK</i>	I2S_SCK	<i>UART_nDSR</i>	GPIO90
<b>PF27</b>	GPIO91	I2S_MCLK	<i>UART_nDTR</i>	GPIO91
<b>PF28</b>	GPIO92	I2S_LRCK	<i>UART_nDCD</i>	GPIO92
<b>PF29</b>	GPIO93	GPIO93	GPIO93	GPIO93

**TABLE 7: USB7056 GPIOs**

	<b>CONFIG1 (I<sup>2</sup>C)</b>	<b>CONFIG2 (I<sup>2</sup>S)</b>
<b>PF6</b>	GPIO70	GPIO70
<b>PF7</b>	GPIO71	<i>MIC_DET</i>

# AN2750

---

## SDK IMPLEMENTATION

The simplest method for implementing the USB-to-GPIO Bridging functions is to use the publicly available DLL which is distributed with the MPLAB<sup>®</sup> Connect Configurator tool. The DLL is compatible with Windows operating systems. Visit the USB705xx product page on microchip.com to download MPLAB Connect with the DLL package. Using the libraries available in the DLL, the Bridging features can be implemented in C-code.

The DLL package contains the following:

- User's guide (*MPLAB Connect DLL User's Guide*) with detailed description of how to use the DLL and call each function
- Release notes
- Library files:
  - For Windows: A ".dll" and a ".lib" file
  - For Linux: A ".cpp" file that can be built into a ".a" file
- Example code

## Commands Included in the SDK

- **libMchpUsbGpioConfigureGPIO:** Configures a pin to behave as a GPIO
- **libMchpUsbGpioGet:** Sets the queried GPIO to an input (if not already set as such) and then reads the input state
- **libMchpUsbGpioSet:** Sets the queried GPIO to an output (if not already set as such) and then sets the output state

For additional details on how to use the SDK to implement USB-to-GPIO Bridging, download the SDK package and refer to the user's guide.



## MANUAL IMPLEMENTATION

The USB-to-GPIO Bridging features may be implemented at the lowest level if you have the ability to build USB packets. This approach is required if you are not using a Windows or Linux host system and cannot use the SDK.

All USB-to-GPIO Bridging commands are accomplished with internal register writes and reads. Further details can be found in the Microchip application note, *Configuration Options for the USB70xx*. All USB to GPIO bridging commands must be sent directly to Endpoint 0 of the Hub Feature Controller connected to the last downstream port of the Microchip hub.

For details on the register read and write USB SETUP packets, refer to [Register Read](#) and [Register Write](#), respectively. The configuration register addresses and contents are detailed in [GPIO Configuration Register Map](#) and [Register Definitions](#).

### Register Read

To read the state of a GPIO, a register read with the USB SETUP packet in [Table 8](#) must be used:

**TABLE 8: REGISTER READ USB SETUP COMMAND**

SETUP Parameter	Value	Description
bmRequestType	0xC0	Device-to-host, vendor class, targeted to interface
bRequest	0x04	Register read command: CMD_REG_READ
wValue	Register address LSB	Valid address range: <0x0000> to <0xFFFF> [64KB]
wIndex	Register address MSB	Valid address range: <0x0000> to <0xFFFF> [64KB]
wLength	Data length	Length of the data bytes to be retrieved

### REGISTER READ USB TRANSACTION SEQUENCE

**Command Phase:** The Hub Feature Controller receives the SETUP packet with the parameters specified in [Table 8](#).

**Data Phase:** The Hub Feature Controller sends the data bytes of length wLength from the specified address.

**Status Phase:** The Hub Feature Controller sends ACK on the successful completion of register read.

### Register Write

To configure the direction of a GPIO, pull-up/pull-down resistor settings, or set the output state of a GPIO, a register write command with the USB SETUP packet in [Table 9](#) must be used:

**TABLE 9: REGISTER WRITE USB SETUP COMMAND**

SETUP Parameter	Value	Description
bmRequestType	0x40	Host-to-device, vendor class, targeted to interface
bRequest	0x03	Register read command: CMD_REG_WRITE
wValue	Register address LSBs	Last four bytes of the 32-bit register address
wIndex	Register address MSBs	First four bytes of the 32-bit register address
wLength	Data length	Length of data bytes to write

### REGISTER WRITE USB TRANSACTION SEQUENCE

**Command Phase:** The Hub Feature Controller receives the SETUP packet with the parameters specified in [Table 9](#).

**Data Phase:** The Hub Feature Controller receives the data bytes of length wLength to be written to the register starting from the specified address.

**Status Phase:** The Hub Feature Controller sends ACK on successful completion of register write.

# AN2750

## GPIO Configuration Register Map

**TABLE 10: CONFIGURATION REGISTER MEMORY MAP**

Address	Name	R/W	Function	Default
BF80 0908	PIO96_OEN	R/W	<a href="#">PIO[95:64] Output Enable Register</a>	00h
BF80 0918	PIO96_IEN	R/W	<a href="#">PIO[95:64] Input Enable Register</a>	00h
BF80 0928	PIO96_OUT	R/W	<a href="#">PIO[95:64] Output State Register</a>	00h
BF80 0938	PIO96_IN	R	<a href="#">PIO[95:64] Input State Register</a>	00h
BF80 0948	PIO96_PUE	R/W	<a href="#">PIO[95:64] Pull-up Enable Register</a>	00h
BF80 0958	PIO96_PDE	R/W	<a href="#">PIO[95:64] Pulldown Enable Register</a>	00h

### Register Definitions

**TABLE 11: PIO[95:64] OUTPUT ENABLE REGISTER**

PIO96_OEN (BF80 0908h)			PIO[95:64] Output Enable Register
Bit	Name	R/W	Description
31	GPIO_95_OE	R/W	Set bit to enable GPIO95 as an output.
30	GPIO_94_OE	R/W	Set bit to enable GPIO94 as an output.
29	GPIO_93_OE	R/W	Set bit to enable GPIO93 as an output.
28	GPIO_92_OE	R/W	Set bit to enable GPIO92 as an output.
27	GPIO_91_OE	R/W	Set bit to enable GPIO91 as an output.
26	GPIO_90_OE	R/W	Set bit to enable GPIO90 as an output.
25:20	Reserved	R	Reserved
19	GPIO_83_OE	R/W	Set bit to enable GPIO83 as an output.
18	GPIO_82_OE	R/W	Set bit to enable GPIO82 as an output.
17:15	Reserved	R	Reserved
14	GPIO_78_OE	R/W	Set bit to enable GPIO78 as an output.
13	Reserved	R	Reserved
12	GPIO_76_OE	R/W	Set bit to enable GPIO76 as an output.
11:8	Reserved	R	Reserved
7	GPIO_71_OE	R/W	Set bit to enable GPIO71 as an output.
6	GPIO_70_OE	R/W	Set bit to enable GPIO70 as an output.
5	GPIO_69_OE	R/W	Set bit to enable GPIO69 as an output.
4	GPIO_68_OE	R/W	Set bit to enable GPIO68 as an output.
3	GPIO_67_OE	R/W	Set bit to enable GPIO67 as an output.
2	GPIO_66_OE	R/W	Set bit to enable GPIO66 as an output.
1:0	Reserved	R	Reserved
<b>Note:</b> BF80_0908h: GPIO66-71; BF80_0909h: GPIO76-78; BF80_090Ah: GPIO82-83; BF80_090Bh: GPIO 90-92			

TABLE 12: PIO[95:64] INPUT ENABLE REGISTER

PIO96_IEN (BF80_0918h)			PIO[95:64] Input Enable Register
Bit	Name	R/W	Description
31	GPIO_95_IE	R/W	Set bit to enable GPIO95 as an input.
30	GPIO_94_IE	R/W	Set bit to enable GPIO94 as an input.
29	GPIO_93_IE	R/W	Set bit to enable GPIO93 as an input.
28	GPIO_92_IE	R/W	Set bit to enable GPIO92 as an input.
27	GPIO_91_IE	R/W	Set bit to enable GPIO91 as an input.
26	GPIO_90_IE	R/W	Set bit to enable GPIO90 as an input.
25:20	Reserved	R	Reserved
19	GPIO_83_IE	R/W	Set bit to enable GPIO83 as an input.
18	GPIO_82_IE	R/W	Set bit to enable GPIO82 as an input.
17:15	Reserved	R	Reserved
14	GPIO_78_IE	R/W	Set bit to enable GPIO78 as an input.
13	Reserved	R	Reserved
12	GPIO_76_IE	R/W	Set bit to enable GPIO76 as an input.
11:8	Reserved	R	Reserved
7	GPIO_71_IE	R/W	Set bit to enable GPIO71 as an input.
6	GPIO_70_IE	R/W	Set bit to enable GPIO70 as an input.
5	GPIO_69_IE	R/W	Set bit to enable GPIO69 as an input.
4	GPIO_68_IE	R/W	Set bit to enable GPIO68 as an input.
3	GPIO_67_IE	R/W	Set bit to enable GPIO67 as an input.
2	GPIO_66_IE	R/W	Set bit to enable GPIO66 as an input.
1:0	Reserved	R	Reserved
<b>Note:</b> BF80_0918h: GPIO66-71; BF80_0919h: GPIO76-78; BF80_091Ah: GPIO82-83; BF80_091Bh: GPIO 90-92			

**TABLE 13: PIO[95:64] OUTPUT STATE REGISTER**

PIO96_OUT (BF80_0928h)			PIO[95:64] Output State Register
Bit	Name	R/W	Description
31	GPIO_95_OS	R/W	Set bit to drive GPIO95 high. Clear bit to drive GPIO95 low.
30	GPIO_94_OS	R/W	Set bit to drive GPIO94 high. Clear bit to drive GPIO94 low.
29	GPIO_93_OS	R/W	Set bit to drive GPIO93 high. Clear bit to drive GPIO93 low.
28	GPIO_92_OS	R/W	Set bit to drive GPIO92 high. Clear bit to drive GPIO92 low.
27	GPIO_91_OS	R/W	Set bit to drive GPIO91 high. Clear bit to drive GPIO91 low.
26	GPIO_90_OS	R/W	Set bit to drive GPIO90 high. Clear bit to drive GPIO90 low.
25:20	Reserved	R	Reserved
19	GPIO_83_OS	R/W	Set bit to drive GPIO83 high. Clear bit to drive GPIO83 low.
18	GPIO_82_OS	R/W	Set bit to drive GPIO82 high. Clear bit to drive GPIO82 low.
17:15	Reserved	R	Reserved
14	GPIO_78_OS	R/W	Set bit to drive GPIO78 high. Clear bit to drive GPIO78 low.
13	Reserved	R	Reserved
12	GPIO_76_OS	R/W	Set bit to drive GPIO76 high. Clear bit to drive GPIO76 low.
11:8	Reserved	R	Reserved
7	GPIO_71_OS	R/W	Set bit to drive GPIO71 high. Clear bit to drive GPIO71 low.
6	GPIO_70_OS	R/W	Set bit to drive GPIO70 high. Clear bit to drive GPIO70 low.
5	GPIO_69_OS	R/W	Set bit to drive GPIO69 high. Clear bit to drive GPIO69 low.
4	GPIO_68_OS	R/W	Set bit to drive GPIO68 high. Clear bit to drive GPIO68 low.
3	GPIO_67_OS	R/W	Set bit to drive GPIO67 high. Clear bit to drive GPIO67 low.
2	GPIO_66_OS	R/W	Set bit to drive GPIO66 high. Clear bit to drive GPIO66 low.
1:0	Reserved	R	Reserved
<b>Note:</b> BF80_0928h: GPIO66-71; BF80_0929h: GPIO76-78; BF80_092Ah: GPIO82-83; BF80_092Bh: GPIO 90-92			

TABLE 14: PIO[95:64] INPUT STATE REGISTER

PIO96_IN (BF80 0938h)			PIO[95:64] Input State Register
Bit	Name	R/W	Description
31	GPIO_95_IS	R/W	Read bit to determine input state of GPIO95.
30	GPIO_94_IS	R/W	Read bit to determine input state of GPIO94.
29	GPIO_93_IS	R/W	Read bit to determine input state of GPIO93.
28	GPIO_92_IS	R/W	Read bit to determine input state of GPIO92.
27	GPIO_91_IS	R/W	Read bit to determine input state of GPIO91.
26	GPIO_90_IS	R/W	Read bit to determine input state of GPIO90.
25:20	Reserved	R	Reserved
19	GPIO_83_IS	R/W	Read bit to determine input state of GPIO83.
18	GPIO_82_IS	R/W	Read bit to determine input state of GPIO82.
17:15	Reserved	R	Reserved
14	GPIO_78_IS	R/W	Read bit to determine input state of GPIO78.
13	Reserved	R	Reserved
12	GPIO_76_IS	R/W	Read bit to determine input state of GPIO76.
11:8	Reserved	R	Reserved
7	GPIO_71_IS	R/W	Read bit to determine input state of GPIO71.
6	GPIO_70_IS	R/W	Read bit to determine input state of GPIO70.
5	GPIO_69_IS	R/W	Read bit to determine input state of GPIO69.
4	GPIO_68_IS	R/W	Read bit to determine input state of GPIO68.
3	GPIO_67_IS	R/W	Read bit to determine input state of GPIO67.
2	GPIO_66_IS	R/W	Read bit to determine input state of GPIO66.
1:0	Reserved	R	Reserved
<b>Note:</b> BF80_0938h: GPIO66-71; BF80_0939h: GPIO76-78; BF80_093Ah: GPIO82-83; BF80_093Bh: GPIO90-92			

**TABLE 15: PIO[95:64] PULL-UP ENABLE REGISTER**

PIO96_PUE (BF80 0948h)			PIO[95:64] Pull-Up Resistor Register
Bit	Name	R/W	Description
31	GPIO_95_PUE	R/W	Set bit to enable ~62k pull-up resistor on GPIO95.
30	GPIO_94_PUE	R/W	Set bit to enable ~62k pull-up resistor on GPIO94.
29	GPIO_93_PUE	R/W	Set bit to enable ~62k pull-up resistor on GPIO93.
28	GPIO_92_PUE	R/W	Set bit to enable ~62k pull-up resistor on GPIO92.
27	GPIO_91_PUE	R/W	Set bit to enable ~62k pull-up resistor on GPIO91.
26	GPIO_90_PUE	R/W	Set bit to enable ~62k pull-up resistor on GPIO90.
25:20	Reserved	R	Reserved
19	GPIO_83_PUE	R/W	Set bit to enable ~62k pull-up resistor on GPIO83.
18	GPIO_82_PUE	R/W	Set bit to enable ~62k pull-up resistor on GPIO82.
17:15	Reserved	R	Reserved
14	GPIO_78_PUE	R/W	Set bit to enable ~62k pull-up resistor on GPIO78.
13	Reserved	R	Reserved
12	GPIO_76_PUE	R/W	Set bit to enable ~62k pull-up resistor on GPIO76.
11:8	Reserved	R	Reserved
7	GPIO_71_PUE	R/W	Set bit to enable ~62k pull-up resistor on GPIO71.
6	GPIO_70_PUE	R/W	Set bit to enable ~62k pull-up resistor on GPIO70.
5	GPIO_69_PUE	R/W	Set bit to enable ~62k pull-up resistor on GPIO69.
4	GPIO_68_PUE	R/W	Set bit to enable ~62k pull-up resistor on GPIO68.
3	GPIO_67_PUE	R/W	Set bit to enable ~62k pull-up resistor on GPIO67.
2	GPIO_66_PUE	R/W	Set bit to enable ~62k pull-up resistor on GPIO66.
1:0	Reserved	R	Reserved
<b>Note:</b> BF80_0948h: GPIO66-71; BF80_0949h: GPIO76-78; BF80_094Ah: GPIO82-83; BF80_094Bh: GPIO 90-92			

TABLE 16: PIO[95:64] PULLDOWN ENABLE REGISTER

PIO96_PDE (BF80 0958h)			PIO[95:64] Pull-Down Resistor Register
BIT	Name	R/W	Description
31	GPIO_95_PDE	R/W	Set bit to enable ~62k pull-down resistor on GPIO95.
30	GPIO_94_PDE	R/W	Set bit to enable ~62k pull-down resistor on GPIO94.
29	GPIO_93_PDE	R/W	Set bit to enable ~62k pull-down resistor on GPIO93.
28	GPIO_92_PDE	R/W	Set bit to enable ~62k pull-down resistor on GPIO92.
27	GPIO_91_PDE	R/W	Set bit to enable ~62k pull-down resistor on GPIO91.
26	GPIO_90_PDE	R/W	Set bit to enable ~62k pull-down resistor on GPIO90.
25:20	Reserved	R	Reserved
19	GPIO_83_PDE	R/W	Set bit to enable ~62k pull-down resistor on GPIO83.
18	GPIO_82_PDE	R/W	Set bit to enable ~62k pull-down resistor on GPIO82.
17:15	Reserved	R	Reserved
14	GPIO_78_PDE	R/W	Set bit to enable ~62k pull-down resistor on GPIO78.
13	Reserved	R	Reserved
12	GPIO_76_PDE	R/W	Set bit to enable ~62k pull-down resistor on GPIO76.
11:8	Reserved	R	Reserved
7	GPIO_71_PDE	R/W	Set bit to enable ~62k pull-down resistor on GPIO71.
6	GPIO_70_PDE	R/W	Set bit to enable ~62k pull-down resistor on GPIO70.
5	GPIO_69_PDE	R/W	Set bit to enable ~62k pull-down resistor on GPIO69.
4	GPIO_68_PDE	R/W	Set bit to enable ~62k pull-down resistor on GPIO68.
3	GPIO_67_PDE	R/W	Set bit to enable ~62k pull-down resistor on GPIO67.
2	GPIO_66_PDE	R/W	Set bit to enable ~62k pull-down resistor on GPIO66.
1:0	Reserved	R	Reserved
<b>Note:</b> <b>BF80_0958h:</b> GPIO66-71; <b>BF80_0959h:</b> GPIO76-78; <b>BF80_095Ah:</b> GPIO82-83; <b>BF80_095Bh:</b> GPIO 90-92			

## EXAMPLES

### Read the Input State of PF7/GPIO71

1. **Command Phase (SETUP Transaction):** Send the following SETUP Register Read Command to Endpoint 0 of the Hub Feature Controller to read the contents of registers 0xBF80\_0938 (PIO[95:64] Input State Register) which contains the input state information for PF7/GPIO71 (assuming that the GPIO was already configured as an input in a previous command). See [Table 17](#) and [Figure 4](#).

**TABLE 17: REGISTER READ SETUP COMMAND EXAMPLE**

SETUP Parameter	Value	Note
bmRequestType	0xC0	—
bRequest	0x04	—
wValue	0x0938	Last four bytes of the register address
wIndex	0xBF80	First four bytes of the register address
wLength	0x0001	One register to be read

**FIGURE 4: REGISTER READ SETUP TRANSACTION EXAMPLE**

Transaction	H	S	SETUP	ADDR	ENDP	T	D	TP	R	bRequest	wValue	wIndex	wLength	ACK	Time Stamp
653			0xB4	6	0	0	D→H	V	D	0x04	0x0938	0xBF80	1	0x4B	2 . 649 476 716
Packet	H	S	SETUP	ADDR	ENDP	CRC5	Pkt Len	Duration	Idle	Time Stamp					
22218			0xB4	6	0	0x09	8	133.333 ns	200.660 ns	2 . 649 476 716					
Packet	H	S	DATA0	Data	CRC16	Pkt Len	Duration	Idle	Time Stamp						
22219			0xC3	C0 04 38 09 80 BF 01 00	0xEC96	16	266.667 ns	333.330 ns	2 . 649 477 050						
Packet	H	S	ACK	Pkt Len	Duration	Time	Time Stamp								
22220			0x4B	6	100.000 ns	1.600 us	2 . 649 477 650								

2. **Data Phase (IN Transaction):** The Hub Feature Controller sends the data bytes of length wLength starting from the specified address after receiving an IN packet. The returned value is 0x80, which indicates that PF7/GPIO71 is high. See [Figure 5](#).

**FIGURE 5: REGISTER READ IN TRANSACTION EXAMPLE**

Transaction	H	S	IN	ADDR	ENDP	T	Data	ACK	Time Stamp						
656			0x96	6	0	1	1 byte	0x4B	2 . 649 521 650						
Packet	H	S	IN	ADDR	ENDP	CRC5	Pkt Len	Duration	Idle	Time Stamp					
22225			0x96	6	0	0x09	8	133.333 ns	366.660 ns	2 . 649 521 650					
Packet	H	S	DATA1	Data	CRC16	Pkt Len	Duration	Idle	Time Stamp						
22226			0xD2	80	0x82F8	10	166.667 ns	333.330 ns	2 . 649 522 150						
Packet	H	S	ACK	Pkt Len	Duration	Time	Time Stamp								
22227			0x4B	8	133.333 ns	11.166 us	2 . 649 522 650								

3. **Status Phase (OUT Transaction):** The Host sends an OUT packet to complete the USB Transfer. The Hub Feature Controller responds with a zero-length data packet. Refer to [Figure 6](#).

**FIGURE 6: REGISTER READ OUT TRANSACTION EXAMPLE**

Transaction	H	S	OUT	ADDR	ENDP	T	Data	ACK	Time Stamp						
657			0x87	6	0	1	0 bytes	0x4B	2 . 649 533 816						
Packet	H	S	OUT	ADDR	ENDP	CRC5	Pkt Len	Duration	Idle	Time Stamp					
22228			0x87	6	0	0x09	8	133.333 ns	200.660 ns	2 . 649 533 816					
Packet	H	S	DATA1	Data	CRC16	Pkt Len	Duration	Idle	Time Stamp						
22229			0xD2	0 bytes	0x0000	8	133.333 ns	332.660 ns	2 . 649 534 150						
Packet	H	S	ACK	Pkt Len	Duration	Time	Time Stamp								
22230			0x4B	8	133.333 ns	2 . 649 534 616									



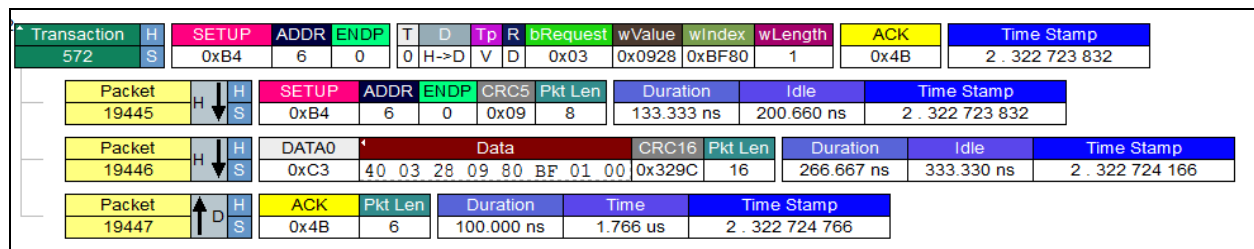
## Write Registers to Set PF7/GPIO71 Output State as High

- Command Phase (SETUP Transaction):** Send the following SETUP Register Write Command to Endpoint 0 of the Hub Feature Controller to write the contents of register 0xBF80\_0928 (PIO[95:64] Output State Register). In this example, PF7/GPIO71 is set high (assuming that the GPIO was already configured as an output in a previous command). See [Table 18](#) and [Figure 7](#).

**TABLE 18: REGISTER WRITE SETUP COMMAND EXAMPLE**

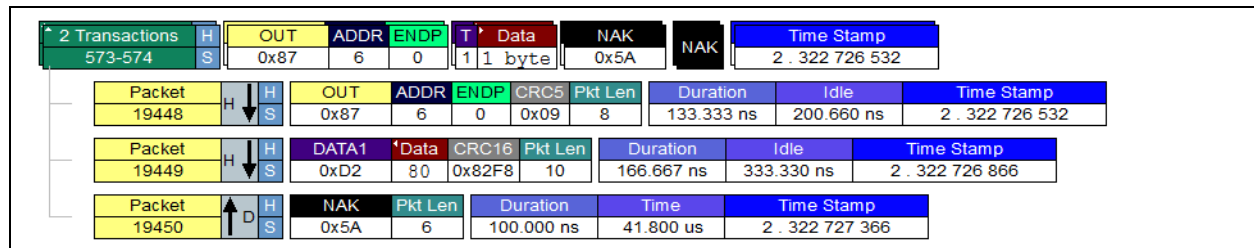
SETUP Parameter	Value	Note
bmRequestType	0x40	—
bRequest	0x03	—
wValue	0x0928	Last 4 bytes of the register address
wIndex	0xBF80	First 4 bytes of the register address
wLength	0x0001	One register is to be read

**FIGURE 7: REGISTER WRITE SETUP TRANSACTION EXAMPLE**



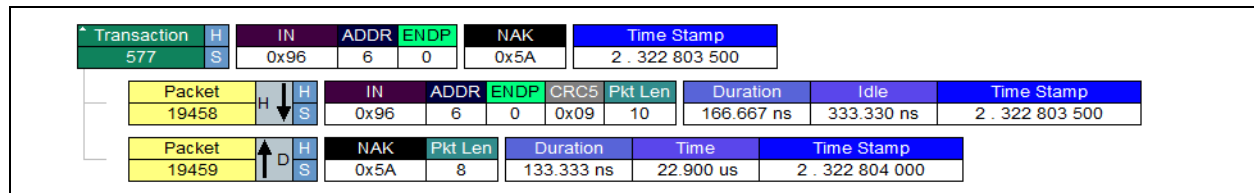
- Data Phase (OUT Transaction):** The Host sends the data byte to set 0xBF80\_0928 = 0x80 from the specified address after sending the OUT packet to set the PF7/GPIO71 output as high. Refer to [Figure 8](#).

**FIGURE 8: REGISTER WRITE OUT TRANSACTION EXAMPLE**



- Status Phase (OUT Transaction):** The Host sends an IN packet to complete the USB Transfer. The Hub Feature Controller responds with a zero-length data packet. See [Figure 9](#).

**FIGURE 9: REGISTER WRITE IN TRANSACTION EXAMPLE**



# AN2750

---

NOTES:

## APPENDIX A: APPLICATION NOTE REVISION HISTORY

TABLE A-1: REVISION HISTORY

Revision Level and Date	Section/Figure/Entry	Correction
DS00002750A (07-13-18)	All	Initial release

## THE MICROCHIP WEBSITE

Microchip provides online support via our WWW site at [www.microchip.com](http://www.microchip.com). This website is used as a means to make files and information easily available to customers. Accessible by using your favorite Internet browser, the website contains the following information:

- **Product Support** – Data sheets and errata, application notes and sample programs, design resources, user's guides and hardware support documents, latest software releases, and archived software
- **General Technical Support** – Frequently Asked Questions (FAQ), technical support requests, online discussion groups, and Microchip consultant program member listing
- **Business of Microchip** – Product selector and ordering guides, latest Microchip press releases, listing of seminars and events, and listings of Microchip sales offices, distributors, and factory representatives

## CUSTOMER CHANGE NOTIFICATION SERVICE

Microchip's customer notification service helps keep customers current on Microchip products. Subscribers will receive e-mail notification whenever there are changes, updates, revisions, or errata related to a specified product family or development tool of interest.

To register, access the Microchip website at [www.microchip.com](http://www.microchip.com). Under "Support", click on "Customer Change Notification" and follow the registration instructions.

## CUSTOMER SUPPORT

Users of Microchip products can receive assistance through several channels:

- Distributor or Representative
- Local Sales Office
- Field Application Engineer (FAE)
- Technical Support

Customers should contact their distributor, representative, or Field Application Engineer (FAE) for support. Local sales offices are also available to help customers. A listing of sales offices and locations is included in the back of this document.

**Technical support is available through the website at: <http://microchip.com/support>**

---

**Note the following details of the code protection feature on Microchip devices:**

- Microchip products meet the specification contained in their particular Microchip Data Sheet.
- Microchip believes that its family of products is one of the most secure families of its kind on the market today, when used in the intended manner and under normal conditions.
- There are dishonest and possibly illegal methods used to breach the code protection feature. All of these methods, to our knowledge, require using the Microchip products in a manner outside the operating specifications contained in Microchip's Data Sheets. Most likely, the person doing so is engaged in theft of intellectual property.
- Microchip is willing to work with the customer who is concerned about the integrity of their code.
- Neither Microchip nor any other semiconductor manufacturer can guarantee the security of their code. Code protection does not mean that we are guaranteeing the product as “unbreakable.”

Code protection is constantly evolving. We at Microchip are committed to continuously improving the code protection features of our products. Attempts to break Microchip's code protection feature may be a violation of the Digital Millennium Copyright Act. If such acts allow unauthorized access to your software or other copyrighted work, you may have a right to sue for relief under that Act.

---

Information contained in this publication regarding device applications and the like is provided only for your convenience and may be superseded by updates. It is your responsibility to ensure that your application meets with your specifications. MICROCHIP MAKES NO REPRESENTATIONS OR WARRANTIES OF ANY KIND WHETHER EXPRESS OR IMPLIED, WRITTEN OR ORAL, STATUTORY OR OTHERWISE, RELATED TO THE INFORMATION, INCLUDING BUT NOT LIMITED TO ITS CONDITION, QUALITY, PERFORMANCE, MERCHANTABILITY OR FITNESS FOR PURPOSE. Microchip disclaims all liability arising from this information and its use. Use of Microchip devices in life support and/or safety applications is entirely at the buyer's risk, and the buyer agrees to defend, indemnify and hold harmless Microchip from any and all damages, claims, suits, or expenses resulting from such use. No licenses are conveyed, implicitly or otherwise, under any Microchip intellectual property rights unless otherwise stated.

**Trademarks**

The Microchip name and logo, the Microchip logo, AnyRate, AVR, AVR logo, AVR Freaks, BitCloud, chipKIT, chipKIT logo, CryptoMemory, CryptoRF, dsPIC, FlashFlex, flexPWR, Heldo, JukeBlox, KeeLoq, Klear, LANCheck, LINK MD, maXStylus, maXTouch, MediaLB, megaAVR, MOST, MOST logo, MPLAB, OptoLyzer, PIC, picoPower, PICSTART, PIC32 logo, Prochip Designer, QTouch, SAM-BA, SpyNIC, SST, SST Logo, SuperFlash, tinyAVR, UNI/O, and XMEGA are registered trademarks of Microchip Technology Incorporated in the U.S.A. and other countries.

ClockWorks, The Embedded Control Solutions Company, EtherSynch, Hyper Speed Control, HyperLight Load, IntellIMOS, mTouch, Precision Edge, and Quiet-Wire are registered trademarks of Microchip Technology Incorporated in the U.S.A.

Adjacent Key Suppression, AKS, Analog-for-the-Digital Age, Any Capacitor, AnyIn, AnyOut, BodyCom, CodeGuard, CryptoAuthentication, CryptoAutomotive, CryptoCompanion, CryptoController, dsPICDEM, dsPICDEM.net, Dynamic Average Matching, DAM, ECAN, EtherGREEN, In-Circuit Serial Programming, ICSP, INICnet, Inter-Chip Connectivity, JitterBlocker, KlearNet, KlearNet logo, memBrain, Mindi, MiWi, motorBench, MPASM, MPF, MPLAB Certified logo, MPLIB, MPLINK, MultiTRAK, NetDetach, Omniscient Code Generation, PICDEM, PICDEM.net, PICkit, PICtail, PowerSmart, PureSilicon, QMatrix, REAL ICE, Ripple Blocker, SAM-ICE, Serial Quad I/O, SMART-I.S., SQI, SuperSwitcher, SuperSwitcher II, Total Endurance, TSHARC, USBCheck, VariSense, ViewSpan, WiperLock, Wireless DNA, and ZENA are trademarks of Microchip Technology Incorporated in the U.S.A. and other countries.

SQTP is a service mark of Microchip Technology Incorporated in the U.S.A.

Silicon Storage Technology is a registered trademark of Microchip Technology Inc. in other countries.

GestIC is a registered trademark of Microchip Technology Germany II GmbH & Co. KG, a subsidiary of Microchip Technology Inc., in other countries.

All other trademarks mentioned herein are property of their respective companies.

© 2018, Microchip Technology Incorporated, All Rights Reserved.

ISBN: 978-1-5224-3320-0

**QUALITY MANAGEMENT SYSTEM**  
**CERTIFIED BY DNV**  
**== ISO/TS 16949 ==**

*Microchip received ISO/TS-16949:2009 certification for its worldwide headquarters, design and wafer fabrication facilities in Chandler and Tempe, Arizona; Gresham, Oregon and design centers in California and India. The Company's quality system processes and procedures are for its PIC® MCUs and dsPIC® DSCs, KEELoc® code hopping devices, Serial EEPROMs, microperipherals, nonvolatile memory and analog products. In addition, Microchip's quality system for the design and manufacture of development systems is ISO 9001:2000 certified.*



# MICROCHIP

## Worldwide Sales and Service

### AMERICAS

**Corporate Office**  
2355 West Chandler Blvd.  
Chandler, AZ 85224-6199  
Tel: 480-792-7200  
Fax: 480-792-7277  
Technical Support:  
<http://www.microchip.com/support>  
Web Address:  
[www.microchip.com](http://www.microchip.com)

#### Atlanta

Duluth, GA  
Tel: 678-957-9614  
Fax: 678-957-1455

#### Austin, TX

Tel: 512-257-3370

#### Boston

Westborough, MA  
Tel: 774-760-0087  
Fax: 774-760-0088

#### Chicago

Itasca, IL  
Tel: 630-285-0071  
Fax: 630-285-0075

#### Dallas

Addison, TX  
Tel: 972-818-7423  
Fax: 972-818-2924

#### Detroit

Novi, MI  
Tel: 248-848-4000

#### Houston, TX

Tel: 281-894-5983

#### Indianapolis

Noblesville, IN  
Tel: 317-773-8323  
Fax: 317-773-5453  
Tel: 317-536-2380

#### Los Angeles

Mission Viejo, CA  
Tel: 949-462-9523  
Fax: 949-462-9608  
Tel: 951-273-7800

#### Raleigh, NC

Tel: 919-844-7510

#### New York, NY

Tel: 631-435-6000

#### San Jose, CA

Tel: 408-735-9110  
Tel: 408-436-4270

#### Canada - Toronto

Tel: 905-695-1980  
Fax: 905-695-2078

### ASIA/PACIFIC

**Australia - Sydney**  
Tel: 61-2-9868-6733

**China - Beijing**  
Tel: 86-10-8569-7000

**China - Chengdu**  
Tel: 86-28-8665-5511

**China - Chongqing**  
Tel: 86-23-8980-9588

**China - Dongguan**  
Tel: 86-769-8702-9880

**China - Guangzhou**  
Tel: 86-20-8755-8029

**China - Hangzhou**  
Tel: 86-571-8792-8115

**China - Hong Kong SAR**  
Tel: 852-2943-5100

**China - Nanjing**  
Tel: 86-25-8473-2460

**China - Qingdao**  
Tel: 86-532-8502-7355

**China - Shanghai**  
Tel: 86-21-3326-8000

**China - Shenyang**  
Tel: 86-24-2334-2829

**China - Shenzhen**  
Tel: 86-755-8864-2200

**China - Suzhou**  
Tel: 86-186-6233-1526

**China - Wuhan**  
Tel: 86-27-5980-5300

**China - Xian**  
Tel: 86-29-8833-7252

**China - Xiamen**  
Tel: 86-592-2388138

**China - Zhuhai**  
Tel: 86-756-3210040

### ASIA/PACIFIC

**India - Bangalore**  
Tel: 91-80-3090-4444

**India - New Delhi**  
Tel: 91-11-4160-8631

**India - Pune**  
Tel: 91-20-4121-0141

**Japan - Osaka**  
Tel: 81-6-6152-7160

**Japan - Tokyo**  
Tel: 81-3-6880-3770

**Korea - Daegu**  
Tel: 82-53-744-4301

**Korea - Seoul**  
Tel: 82-2-554-7200

**Malaysia - Kuala Lumpur**  
Tel: 60-3-7651-7906

**Malaysia - Penang**  
Tel: 60-4-227-8870

**Philippines - Manila**  
Tel: 63-2-634-9065

**Singapore**  
Tel: 65-6334-8870

**Taiwan - Hsin Chu**  
Tel: 886-3-577-8366

**Taiwan - Kaohsiung**  
Tel: 886-7-213-7830

**Taiwan - Taipei**  
Tel: 886-2-2508-8600

**Thailand - Bangkok**  
Tel: 66-2-694-1351

**Vietnam - Ho Chi Minh**  
Tel: 84-28-5448-2100

### EUROPE

**Austria - Wels**  
Tel: 43-7242-2244-39  
Fax: 43-7242-2244-393

**Denmark - Copenhagen**  
Tel: 45-4450-2828  
Fax: 45-4485-2829

**Finland - Espoo**  
Tel: 358-9-4520-820

**France - Paris**  
Tel: 33-1-69-53-63-20  
Fax: 33-1-69-30-90-79

**Germany - Garching**  
Tel: 49-8931-9700

**Germany - Haan**  
Tel: 49-2129-3766400

**Germany - Heilbronn**  
Tel: 49-7131-67-3636

**Germany - Karlsruhe**  
Tel: 49-721-625370

**Germany - Munich**  
Tel: 49-89-627-144-0  
Fax: 49-89-627-144-44

**Germany - Rosenheim**  
Tel: 49-8031-354-560

**Israel - Ra'anana**  
Tel: 972-9-744-7705

**Italy - Milan**  
Tel: 39-0331-742611  
Fax: 39-0331-466781

**Italy - Padova**  
Tel: 39-049-7625286

**Netherlands - Drunen**  
Tel: 31-416-690399  
Fax: 31-416-690340

**Norway - Trondheim**  
Tel: 47-7289-7561

**Poland - Warsaw**  
Tel: 48-22-3325737

**Romania - Bucharest**  
Tel: 40-21-407-87-50

**Spain - Madrid**  
Tel: 34-91-708-08-90  
Fax: 34-91-708-08-91

**Sweden - Gothenberg**  
Tel: 46-31-704-60-40

**Sweden - Stockholm**  
Tel: 46-8-5090-4654

**UK - Wokingham**  
Tel: 44-118-921-5800  
Fax: 44-118-921-5820

# Mouser Electronics

Authorized Distributor

Click to View Pricing, Inventory, Delivery & Lifecycle Information:

## Microchip:

[USB7051T-I/KDX](#) [USB7052/KDX](#) [USB7052-I/KDX](#) [USB7052T/KDX](#) [USB7052T-I/KDX](#) [USB7050T/KDX](#) [USB7050T-I/KDX](#) [USB7051/KDX](#) [USB7051-I/KDX](#) [USB7051T/KDX](#) [USB7056/KDX](#) [USB7056-I/KDX](#) [USB7056T/KDX](#) [USB7056T-I/KDX](#) [USB7050/KDX](#) [USB7050-I/KDX](#)



Компания «ЭлектроПласт» предлагает заключение долгосрочных отношений при поставках импортных электронных компонентов на взаимовыгодных условиях!

Наши преимущества:

- Оперативные поставки широкого спектра электронных компонентов отечественного и импортного производства напрямую от производителей и с крупнейших мировых складов;
- Поставка более 17-ти миллионов наименований электронных компонентов;
- Поставка сложных, дефицитных, либо снятых с производства позиций;
- Оперативные сроки поставки под заказ (от 5 рабочих дней);
- Экспресс доставка в любую точку России;
- Техническая поддержка проекта, помощь в подборе аналогов, поставка прототипов;
- Система менеджмента качества сертифицирована по Международному стандарту ISO 9001;
- Лицензия ФСБ на осуществление работ с использованием сведений, составляющих государственную тайну;
- Поставка специализированных компонентов (Xilinx, Altera, Analog Devices, Intersil, Interpoint, Microsemi, Aeroflex, Peregrine, Syfer, Eurofarad, Texas Instrument, Miteq, Cobham, E2V, MA-COM, Hittite, Mini-Circuits, General Dynamics и др.);

Помимо этого, одним из направлений компании «ЭлектроПласт» является направление «Источники питания». Мы предлагаем Вам помощь Конструкторского отдела:

- Подбор оптимального решения, техническое обоснование при выборе компонента;
- Подбор аналогов;
- Консультации по применению компонента;
- Поставка образцов и прототипов;
- Техническая поддержка проекта;
- Защита от снятия компонента с производства.



#### Как с нами связаться

**Телефон:** 8 (812) 309 58 32 (многоканальный)

**Факс:** 8 (812) 320-02-42

**Электронная почта:** [org@eplast1.ru](mailto:org@eplast1.ru)

**Адрес:** 198099, г. Санкт-Петербург, ул. Калинина, дом 2, корпус 4, литера А.