

MC74HC4094A

8-Bit Shift and Store Register

High-Performance Silicon-Gate CMOS

The MC74HC4094A is a high speed CMOS 8-bit serial shift and storage register. This device consists of an 8-bit shift register and latch with 3-state output buffers. Data is shifted on positive clock (CP) transitions. The data in the shift register is transferred to the storage register when the Strobe (STR) input is high. The output buffers are enabled when the Output Enable (OE) input is set high. Two serial outputs (QS₁, QS₂) are available for cascading multiple devices.

Features

- Wide Operating Voltage Range: 2.0 to 6.0 V
- Low Power Dissipation: $I_{CC} = < 10 \mu A$
- In Compliance with the Requirements Defined by JEDEC Standard No. 7A
- These are Pb-Free Devices

Typical Applications

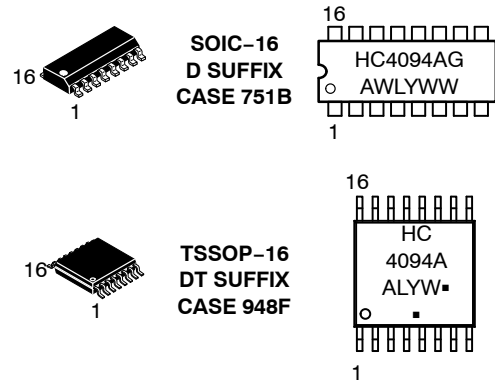
- Serial-to-Parallel Conversion
- Remote Control Storage Register



ON Semiconductor®

<http://onsemi.com>

MARKING DIAGRAMS



A = Assembly Location
WL, L = Wafer Lot
YY, Y = Year
WW, W = Work Week
G, ■ = Pb-Free Package

(Note: Microdot may be in either location)

ORDERING INFORMATION

See detailed ordering and shipping information in the package dimensions section on page 10 of this data sheet.

MC74HC4094A

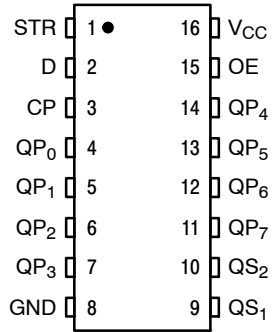


Figure 1. Pin Assignment

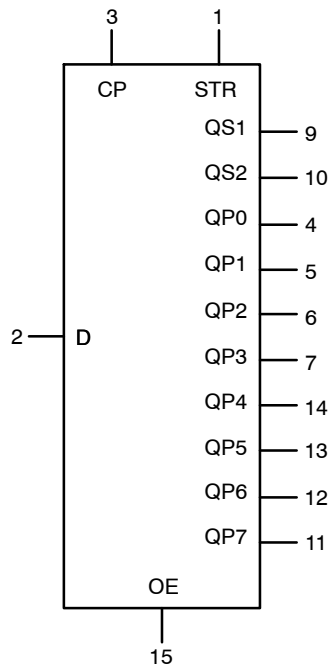


Figure 2. Logic Symbol

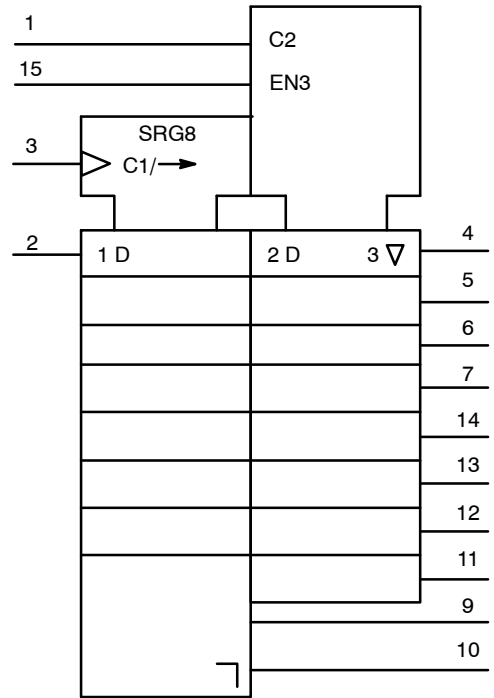


Figure 3. IEC Logic Symbol

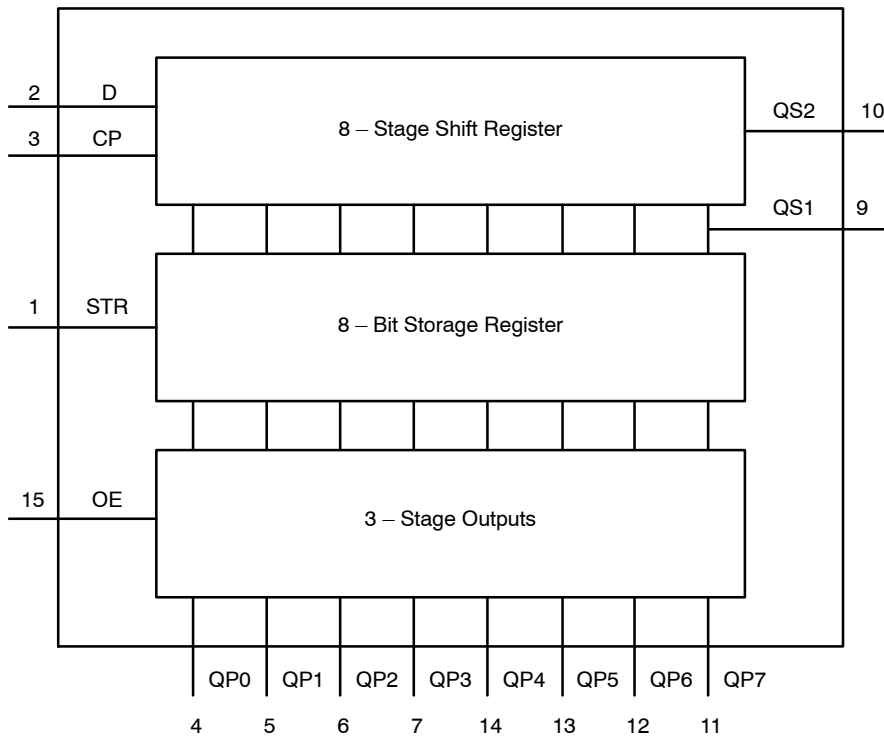


Figure 4. Functional Diagram

MC74HC4094A

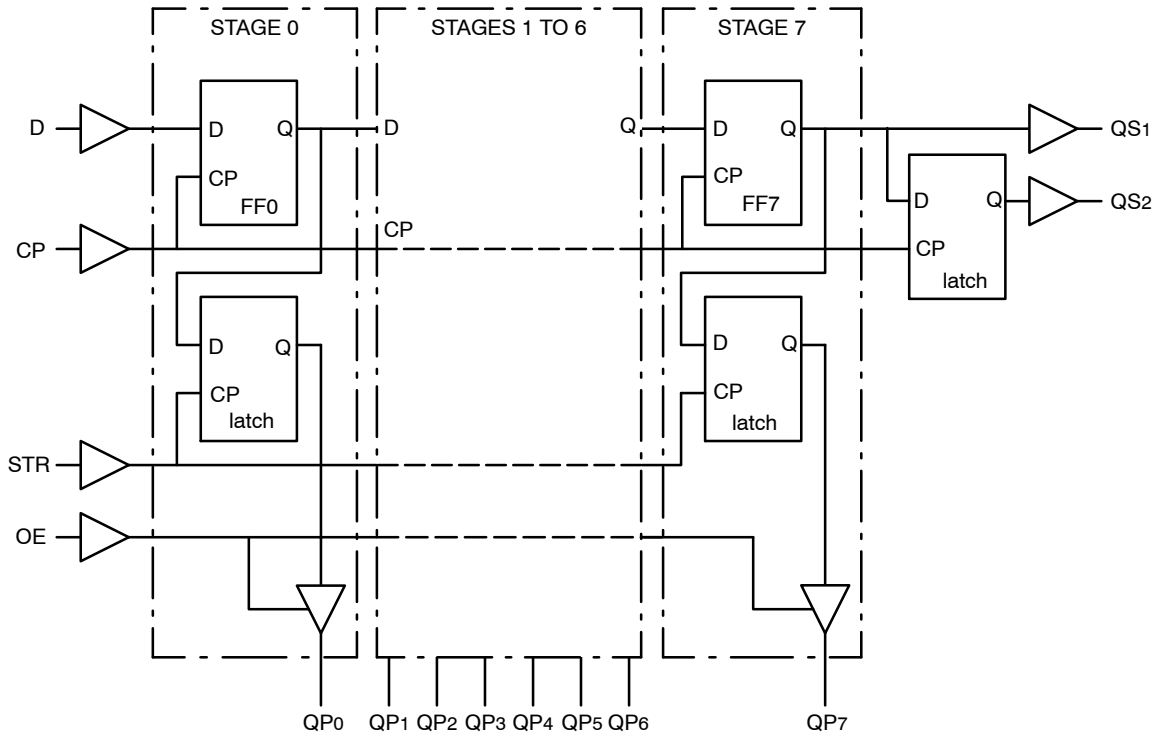


Figure 5. Logic Diagram

MC74HC4094A

MAXIMUM RATINGS

| Symbol | Parameter | Value | Unit |
|------------------|---|--------------------------------|------|
| V _{CC} | DC Supply Voltage (Referenced to GND) | - 0.5 to + 7.0 | V |
| V _{in} | DC Input Voltage (Referenced to GND) | - 0.5 to V _{CC} + 0.5 | V |
| V _{out} | DC Output Voltage (Referenced to GND) | - 0.5 to V _{CC} + 0.5 | V |
| I _{in} | DC Input Current, per Pin | ± 20 | mA |
| I _{out} | DC Output Current, per Pin | ± 35 | mA |
| I _{CC} | DC Supply Current, V _{CC} and GND Pins | ± 75 | mA |
| P _D | Power Dissipation in Still Air, SOIC Package† TSSOP Package† | 500 450 | mW |
| T _{stg} | Storage Temperature | - 65 to + 150 | °C |

This device contains protection circuitry to guard against damage due to high static voltages or electric fields. However, precautions must be taken to avoid applications of any voltage higher than maximum rated voltages to this high-impedance circuit. For proper operation, V_{in} and V_{out} should be constrained to the range GND ≤ (V_{in} or V_{out}) ≤ V_{CC}. Unused inputs must always be tied to an appropriate logic voltage level (e.g., either GND or V_{CC}). Unused outputs must be left open.

Stresses exceeding Maximum Ratings may damage the device. Maximum Ratings are stress ratings only. Functional operation above the Recommended Operating Conditions is not implied. Extended exposure to stresses above the Recommended Operating Conditions may affect device reliability.

†Derating - SOIC Package: - 7 mW/°C from 65° to 125°C
TSSOP Package: - 6.1 mW/°C from 65° to 125°C

RECOMMENDED OPERATING CONDITIONS

| Symbol | Parameter | Min | Max | Unit | |
|------------------------------------|--|-------------------------|-----------------|------|--|
| V _{CC} | DC Supply Voltage (Referenced to GND) | 2.0 | 6.0 | V | |
| V _{in} , V _{out} | DC Input Voltage, Output Voltage (Referenced to GND) | 0 | V _{CC} | V | |
| T _A | Operating Temperature, All Package Types | -55 | +125 | °C | |
| t _r , t _f | Input Rise and Fall Time (Figure 1) | | | ns | |
| | | V _{CC} = 2.0 V | 0 | 1000 | |
| | | V _{CC} = 4.5 V | 0 | 500 | |
| | | V _{CC} = 6.0 V | 0 | 400 | |

MC74HC4094A

FUNCTIONAL TABLE

| INPUTS | | | | PARALLEL OUTPUTS | | SERIAL OUTPUTS | |
|--------|----|-----|---|------------------|-------|----------------|-----|
| CP | OE | STR | D | QP0 | QPn | QS1 | QS2 |
| ↑ | L | X | X | Z | Z | Q'6 | NC |
| ↓ | L | X | X | Z | Z | NC | QP7 |
| ↑ | H | L | X | NC | NC | Q'6 | NC |
| ↑ | H | H | L | L | QPn-1 | Q'6 | NC |
| ↑ | H | H | H | H | QPn-1 | Q'6 | NC |
| ↓ | H | H | H | NC | NC | NC | QP7 |

Notes

- H = HIGH voltage level
 L = LOW voltage level
 X = don't care
 Z = high impedance OFF-state
 NC = no change
 ↑ = LOW-to-HIGH CP transition
 ↓ = HIGH-to-LOW CP transition
 Q'6 = the information in the seventh register stage is transferred to the 8th register stage and QSn output at the positive clock edge

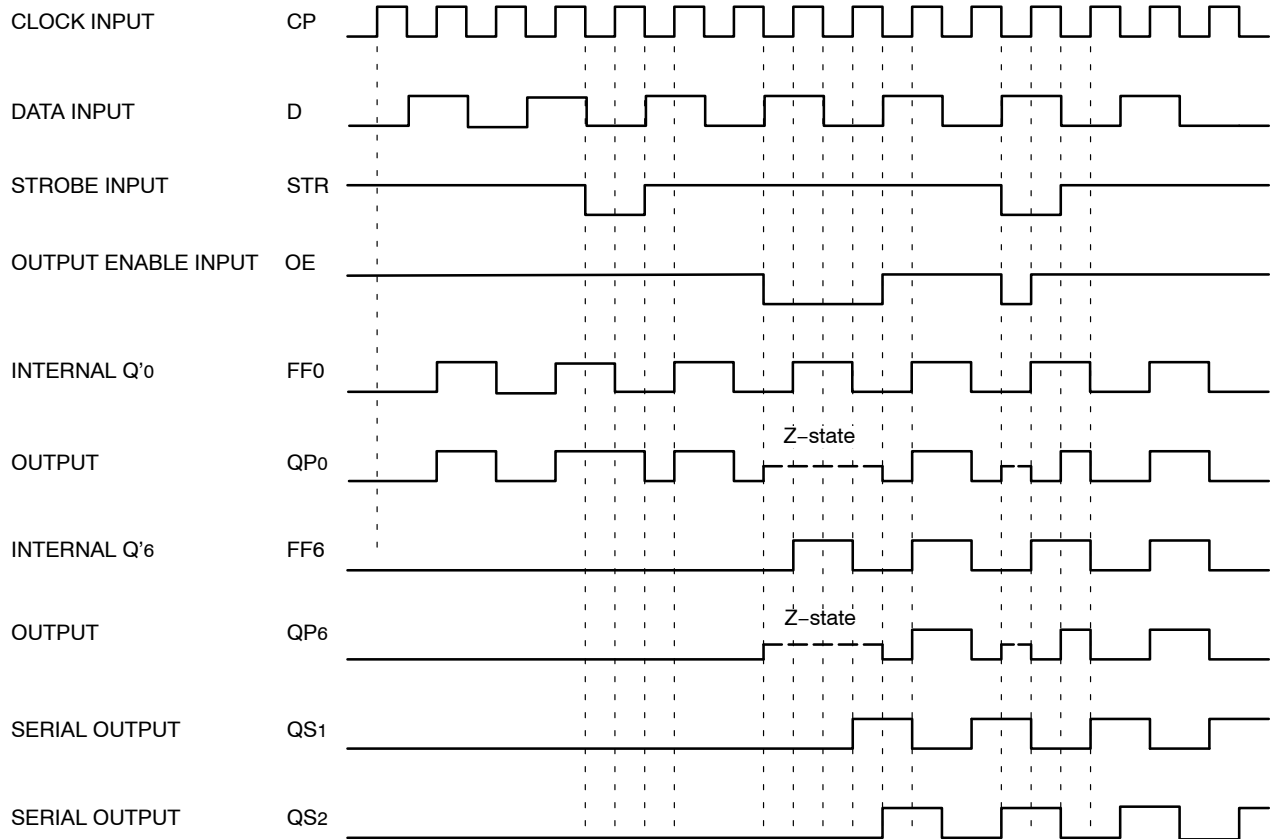


Figure 6. Timing Diagram

MC74HC4094A

DC CHARACTERISTICS

| Symbol | Parameter | Test Conditions | V _{CC} (V) | Guaranteed Limits | | | Unit | |
|-----------------|--|---|---|-------------------|--------|---------|------|-----|
| | | | | -55°C to 25°C | ≤ 85°C | ≤ 125°C | | |
| V _{IH} | Minimum High-Level Input Voltage | V _{OUT} = 0.1 V or V _{CC} - 0.1 V I _{OUT} ≤ 20 μA | 2.0 | 1.5 | 1.5 | 1.5 | V | |
| | | | 3.0 | 2.1 | 2.1 | 2.1 | | |
| | | | 4.5 | 3.15 | 3.15 | 3.15 | | |
| | | | 6.0 | 4.2 | 4.2 | 4.2 | | |
| V _{IL} | Maximum Low-Level Input Voltage | V _{OUT} = 0.1 V or V _{CC} - 0.1 V I _{OUT} ≤ 20 μA | 2.0 | 0.5 | 0.5 | 0.5 | V | |
| | | | 3.0 | 0.9 | 0.9 | 0.9 | | |
| | | | 4.5 | 1.35 | 1.35 | 1.35 | | |
| | | | 6.0 | 1.8 | 1.8 | 1.8 | | |
| V _{OH} | Minimum High-Level Output Voltage | V _{IN} = V _{IH} or V _{IL} I _{OUT} ≤ 20 μA | 2.0 | 1.9 | 1.9 | 1.9 | V | |
| | | | 3.0 | 2.9 | 2.9 | 2.9 | | |
| | | | 4.5 | 4.4 | 4.4 | 4.4 | | |
| | | | 6.0 | 5.9 | 5.9 | 5.9 | | |
| | | | V _{IN} = V _{IH} or V _{IL} , I _{OUT} = 2.4 mA | 3.0 | 2.75 | 2.7 | | 2.6 |
| | | | V _{IN} = V _{IH} or V _{IL} , I _{OUT} = 4 mA | 4.5 | 4.25 | 4.2 | | 4.1 |
| | | | V _{IN} = V _{IH} or V _{IL} , I _{OUT} = 5.2 mA | 6.0 | 5.75 | 5.7 | | 5.6 |
| V _{OL} | Maximum Low-Level Output Voltage | V _{IN} = V _{IH} or V _{IL} , I _{OUT} ≤ 20 μA | 2.0 | 0.1 | 0.1 | 0.1 | V | |
| | | | 3.0 | 0.1 | 0.1 | 0.1 | | |
| | | | 4.5 | 0.1 | 0.1 | 0.1 | | |
| | | | 6.0 | 0.1 | 0.1 | 0.1 | | |
| | | | V _{IN} = V _{IH} or V _{IL} , I _{OUT} = 2.4 mA | 3.0 | 0.25 | 0.3 | | 0.4 |
| | | | V _{IN} = V _{IH} or V _{IL} , I _{OUT} = 4 mA | 4.5 | 0.25 | 0.3 | | 0.4 |
| | | | V _{IN} = V _{IH} or V _{IL} , I _{OUT} = 5.2 mA | 6.0 | 0.25 | 0.3 | | 0.4 |
| I _{IN} | Maximum Input Leakage Current | V _{IN} = V _{CC} or GND | 6.0 | ±0.1 | ±1 | ±1 | μA | |
| I _{OZ} | Maximum Tri-State Output Leakage Current | V _{IN} = V _{CC} or GND V _{OUT} = V _{CC} or GND | 6.0 | ±0.5 | ±5 | ±10 | μA | |
| I _{CC} | Maximum Quiescent Supply Current | V _{IN} = V _{CC} or GND | 6.0 | 4.0 | 40 | 80 | μA | |

MC74HC4094A

AC CHARACTERISTICS ($t_f = t_r = 6 \text{ ns}$, $C_L = 50 \text{ pF}$)

| Symbol | Parameter | Test Conditions | V _{CC} (V) | Guaranteed Limits | | | Unit |
|-------------------------------------|---|-----------------|---------------------|-------------------|--------|---------|------|
| | | | | -55°C to 25°C | ≤ 85°C | ≤ 125°C | |
| t _{PHL} , t _{PLH} | Maximum Propagation Delay CP to QS ₁ | Figure 7 | 2.0 | 120 | 150 | 170 | ns |
| | | | 3.0 | 90 | 100 | 110 | |
| | | | 4.5 | 30 | 38 | 45 | |
| | | | 6.0 | 26 | 33 | 38 | |
| t _{PHL} , t _{PLH} | Maximum Propagation Delay CP to QS ₂ | Figure 7 | 2.0 | 120 | 150 | 170 | ns |
| | | | 3.0 | 90 | 100 | 110 | |
| | | | 4.5 | 27 | 34 | 41 | |
| | | | 6.0 | 23 | 29 | 35 | |
| t _{PHL} , t _{PLH} | Maximum Propagation Delay CP to QP _n | Figure 7 | 2.0 | 120 | 150 | 170 | ns |
| | | | 3.0 | 90 | 100 | 110 | |
| | | | 4.5 | 39 | 49 | 59 | |
| | | | 6.0 | 33 | 42 | 50 | |
| t _{PHL} , t _{PLH} | Maximum Propagation Delay STR to QP _n | Figure 8 | 2.0 | 120 | 150 | 170 | ns |
| | | | 3.0 | 90 | 100 | 110 | |
| | | | 4.5 | 36 | 45 | 54 | |
| | | | 6.0 | 31 | 38 | 46 | |
| t _{PZH} , t _{PZL} | Maximum 3-State Output Enable Time OE to QP _n | Figure 9 | 2.0 | 120 | 140 | 160 | ns |
| | | | 3.0 | 80 | 100 | 120 | |
| | | | 4.5 | 35 | 44 | 53 | |
| | | | 6.0 | 30 | 37 | 45 | |
| t _{PHZ} , t _{PLZ} | Maximum 3-State Output Enable Time OE to QP _n | Figure 9 | 2.0 | 100 | 120 | 140 | ns |
| | | | 3.0 | 70 | 90 | 110 | |
| | | | 4.5 | 25 | 31 | 38 | |
| | | | 6.0 | 21 | 26 | 32 | |
| t _{THL} , t _{TLH} | Maximum Output Transition Time | Figure 7 | 2.0 | 70 | 90 | 110 | ns |
| | | | 3.0 | 40 | 60 | 80 | |
| | | | 4.5 | 18 | 22 | 25 | |
| | | | 6.0 | 16 | 19 | 22 | |
| t _w | Minimum Clock Pulse Width High or Low | Figure 7 | 2.0 | 80 | 100 | 120 | ns |
| | | | 3.0 | 50 | 60 | 80 | |
| | | | 4.5 | 16 | 20 | 24 | |
| | | | 6.0 | 14 | 17 | 20 | |
| t _w | Minimum Strobe Pulse Width High | Figure 8 | 2.0 | 80 | 100 | 120 | ns |
| | | | 3.0 | 50 | 60 | 80 | |
| | | | 4.5 | 16 | 20 | 24 | |
| | | | 6.0 | 14 | 17 | 20 | |
| t _{SU} | Minimum Set-up Time D to CP | Figure 10 | 2.0 | 50 | 65 | 75 | ns |
| | | | 3.0 | 30 | 35 | 45 | |
| | | | 4.5 | 10 | 13 | 15 | |
| | | | 6.0 | 9 | 11 | 13 | |

MC74HC4094A

AC CHARACTERISTICS ($t_f = t_r = 6 \text{ ns}$, $C_L = 50 \text{ pF}$)

| Symbol | Parameter | Test Conditions | V _{CC} (V) | Guaranteed Limits | | | Unit |
|------------------|--|-----------------|---------------------|-------------------|--------|---------|------|
| | | | | -55°C to 25°C | ≤ 85°C | ≤ 125°C | |
| t _{SU} | Minimum Set-up Time CP to STR | Figure 8 | 2.0 | 100 | 125 | 150 | ns |
| | | | 3.0 | 60 | 75 | 90 | |
| | | | 4.5 | 20 | 25 | 30 | |
| | | | 6.0 | 17 | 21 | 26 | |
| t _h | Minimum Hold Time D to CP | Figure 10 | 2.0 | 3 | 3 | 3 | ns |
| | | | 3.0 | 3 | 3 | 3 | |
| | | | 4.5 | 3 | 3 | 3 | |
| | | | 6.0 | 3 | 3 | 3 | |
| t _h | Minimum Hold Time CP to STR | Figure 8 | 2.0 | 0 | 0 | 0 | ns |
| | | | 3.0 | 0 | 0 | 0 | |
| | | | 4.5 | 0 | 0 | 0 | |
| | | | 6.0 | 0 | 0 | 0 | |
| f _{MAX} | Minimum Clock Pulse Frequency | Figure 7 | 2.0 | 6 | 5 | 4 | MHz |
| | | | 3.0 | 18 | 14 | 12 | |
| | | | 4.5 | 30 | 24 | 20 | |
| | | | 6.0 | 35 | 28 | 24 | |
| C _{in} | Maximum Input Capacitance | | - | 10 | 10 | 10 | pF |
| C _{out} | Maximum Output Capacitance | | - | 15 | 15 | 15 | pF |
| C _{PD} | Power Dissipation Capacitance (Note 2) | | - | 140 | 140 | 140 | pF |

2. C_{PD} is defined as the value of the IC's equivalent capacitance from which the operating current can be calculated from:
 $I_{CC(\text{operating})} \approx C_{PD} \times V_{CC} \times f_{IN} \times N_{SW}$ where N_{SW} = total number of outputs switching and f_{IN} = switching frequency.

MC74HC4094A

AC WAVEFORMS

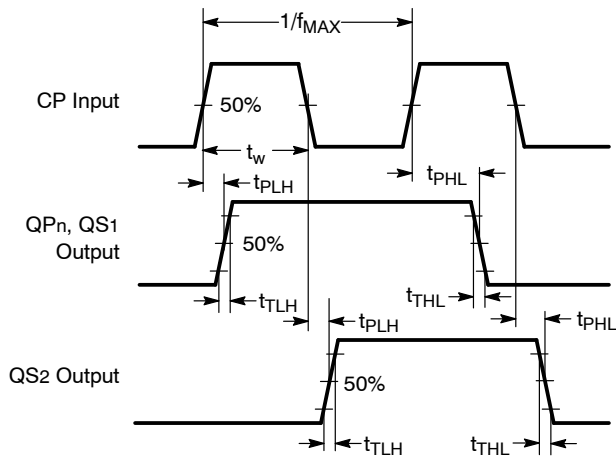


Figure 7. Waveforms showing the clock (CP) to output (QPn, QS1, QS2) propagation delays, the clock pulse width and the maximum clock frequency.

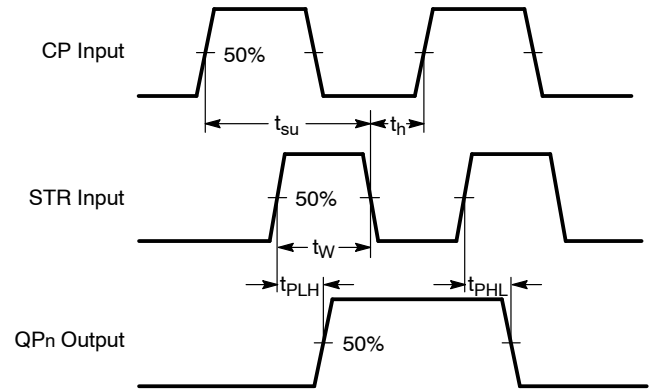


Figure 8. Waveforms showing the strobe (STR) to output (QPn) propagation delays, the strobe pulse width, the clock set-up and hold times for the strobe input.

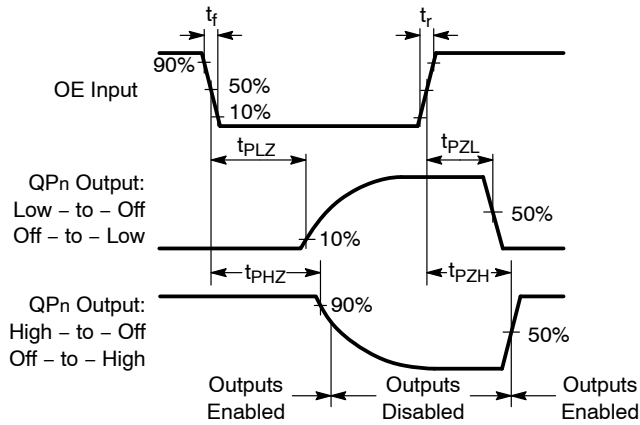
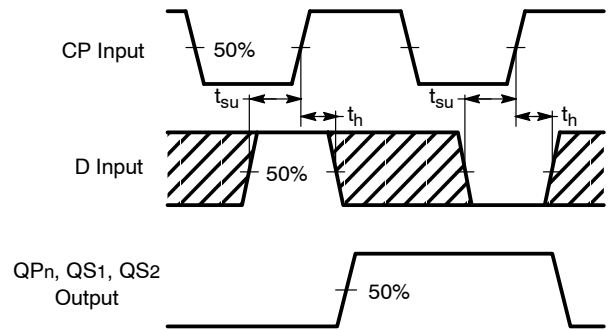


Figure 9. Waveforms showing the 3-state enable and disable times for input OE.



The shaded areas indicate when the input is permitted to change for predictable output performance.

Figure 10. Waveforms showing the data set-up and hold times for the data input.

MC74HC4094A

TEST CIRCUITS

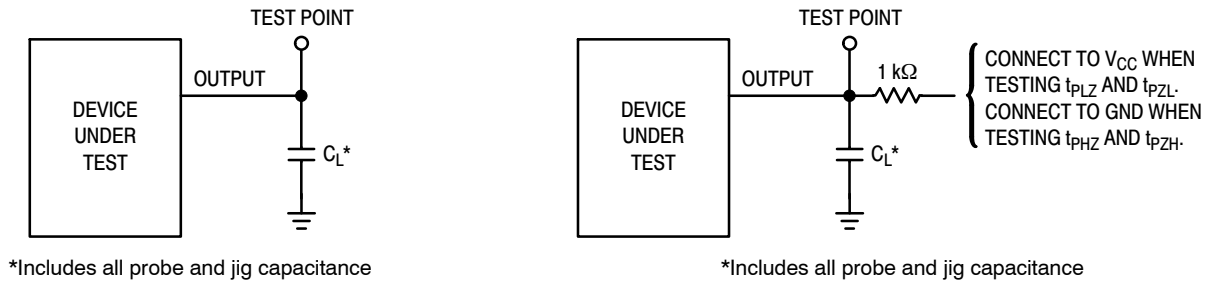


Figure 11. AC Characteristics Load Circuits

ORDERING INFORMATION

| Device | Package | Shipping [†] |
|------------------|------------------------|-----------------------|
| MC74HC4094ADG | SOIC-16 (Pb-Free) | 48 Units / Rail |
| MC74HC4094ADR2G | SOIC-16 (Pb-Free) | 2500 Tape & Reel |
| MC74HC4094ADT | TSSOP-16* | 96 Units / Rail |
| MC74HC4094ADTR2G | TSSOP-16* (Pb-Free) | 2500 Tape & Reel |

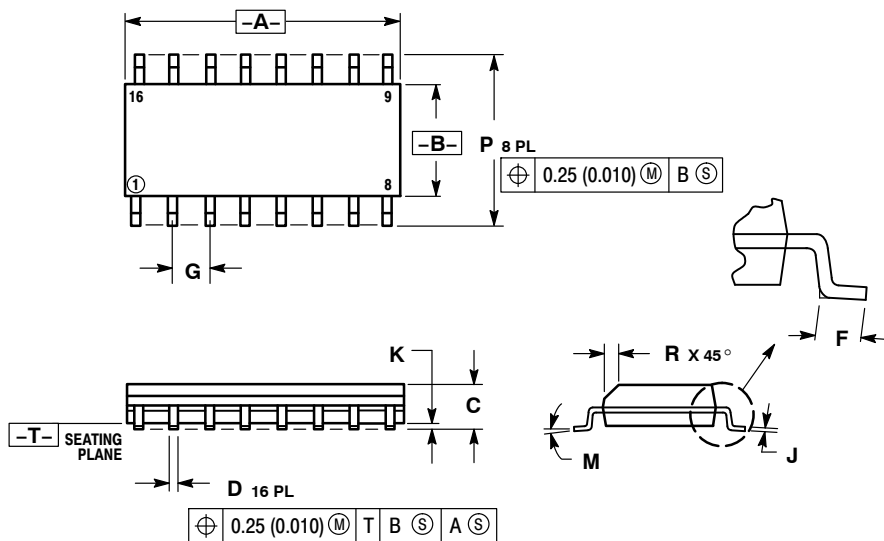
[†]For information on tape and reel specifications, including part orientation and tape sizes, please refer to our Tape and Reel Packaging Specifications Brochure, BRD8011/D.

*This package is inherently Pb-Free.

MC74HC4094A

PACKAGE DIMENSIONS

SOIC-16
CASE 751B-05
ISSUE K

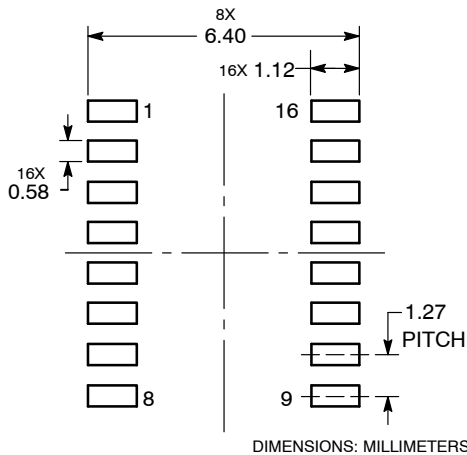


NOTES:

1. DIMENSIONING AND TOLERANCING PER ANSI Y14.5M, 1982.
2. CONTROLLING DIMENSION: MILLIMETER.
3. DIMENSIONS A AND B DO NOT INCLUDE MOLD PROTRUSION.
4. MAXIMUM MOLD PROTRUSION 0.15 (0.006) PER SIDE.
5. DIMENSION D DOES NOT INCLUDE DAMBAR PROTRUSION. ALLOWABLE DAMBAR PROTRUSION SHALL BE 0.127 (0.005) TOTAL IN EXCESS OF THE D DIMENSION AT MAXIMUM MATERIAL CONDITION.


| DIM | MILLIMETERS | | INCHES | |
|-----|-------------|-------|-----------|-------|
| | MIN | MAX | MIN | MAX |
| A | 9.80 | 10.00 | 0.386 | 0.393 |
| B | 3.80 | 4.00 | 0.150 | 0.157 |
| C | 1.35 | 1.75 | 0.054 | 0.068 |
| D | 0.35 | 0.49 | 0.014 | 0.019 |
| F | 0.40 | 1.25 | 0.016 | 0.049 |
| G | 1.27 BSC | | 0.050 BSC | |
| J | 0.19 | 0.25 | 0.008 | 0.009 |
| K | 0.10 | 0.25 | 0.004 | 0.009 |
| M | 0° | 7° | 0° | 7° |
| P | 5.80 | 6.20 | 0.229 | 0.244 |
| R | 0.25 | 0.50 | 0.010 | 0.019 |

SOLDERING FOOTPRINT*



*For additional information on our Pb-Free strategy and soldering details, please download the ON Semiconductor Soldering and Mounting Techniques Reference Manual, SOLDERRM/D.

MC74HC4094A

ON Semiconductor and  are registered trademarks of Semiconductor Components Industries, LLC (SCILLC). SCILLC reserves the right to make changes without further notice to any products herein. SCILLC makes no warranty, representation or guarantee regarding the suitability of its products for any particular purpose, nor does SCILLC assume any liability arising out of the application or use of any product or circuit, and specifically disclaims any and all liability, including without limitation special, consequential or incidental damages. "Typical" parameters which may be provided in SCILLC data sheets and/or specifications can and do vary in different applications and actual performance may vary over time. All operating parameters, including "Typicals" must be validated for each customer application by customer's technical experts. SCILLC does not convey any license under its patent rights nor the rights of others. SCILLC products are not designed, intended, or authorized for use as components in systems intended for surgical implant into the body, or other applications intended to support or sustain life, or for any other application in which the failure of the SCILLC product could create a situation where personal injury or death may occur. Should Buyer purchase or use SCILLC products for any such unintended or unauthorized application, Buyer shall indemnify and hold SCILLC and its officers, employees, subsidiaries, affiliates, and distributors harmless against all claims, costs, damages, and expenses, and reasonable attorney fees arising out of, directly or indirectly, any claim of personal injury or death associated with such unintended or unauthorized use, even if such claim alleges that SCILLC was negligent regarding the design or manufacture of the part. SCILLC is an Equal Opportunity/Affirmative Action Employer. This literature is subject to all applicable copyright laws and is not for resale in any manner.

PUBLICATION ORDERING INFORMATION

LITERATURE FULFILLMENT:

Literature Distribution Center for ON Semiconductor
P.O. Box 5163, Denver, Colorado 80217 USA
Phone: 303-675-2175 or 800-344-3860 Toll Free USA/Canada
Fax: 303-675-2176 or 800-344-3867 Toll Free USA/Canada
Email: orderlit@onsemi.com

N. American Technical Support: 800-282-9855 Toll Free
USA/Canada
Europe, Middle East and Africa Technical Support:
Phone: 421 33 790 2910
Japan Customer Focus Center
Phone: 81-3-5773-3850

ON Semiconductor Website: www.onsemi.com

Order Literature: <http://www.onsemi.com/orderlit>

For additional information, please contact your local Sales Representative



Компания «ЭлектроПласт» предлагает заключение долгосрочных отношений при поставках импортных электронных компонентов на взаимовыгодных условиях!

Наши преимущества:

- Оперативные поставки широкого спектра электронных компонентов отечественного и импортного производства напрямую от производителей и с крупнейших мировых складов;
- Поставка более 17-ти миллионов наименований электронных компонентов;
- Поставка сложных, дефицитных, либо снятых с производства позиций;
- Оперативные сроки поставки под заказ (от 5 рабочих дней);
- Экспресс доставка в любую точку России;
- Техническая поддержка проекта, помощь в подборе аналогов, поставка прототипов;
- Система менеджмента качества сертифицирована по Международному стандарту ISO 9001;
- Лицензия ФСБ на осуществление работ с использованием сведений, составляющих государственную тайну;
- Поставка специализированных компонентов (Xilinx, Altera, Analog Devices, Intersil, Interpoint, Microsemi, Aeroflex, Peregrine, Syfer, Eurofarad, Texas Instrument, Miteq, Cobham, E2V, MA-COM, Hittite, Mini-Circuits, General Dynamics и др.);

Помимо этого, одним из направлений компании «ЭлектроПласт» является направление «Источники питания». Мы предлагаем Вам помощь Конструкторского отдела:

- Подбор оптимального решения, техническое обоснование при выборе компонента;
- Подбор аналогов;
- Консультации по применению компонента;
- Поставка образцов и прототипов;
- Техническая поддержка проекта;
- Защита от снятия компонента с производства.



Как с нами связаться

Телефон: 8 (812) 309 58 32 (многоканальный)

Факс: 8 (812) 320-02-42

Электронная почта: org@eplast1.ru

Адрес: 198099, г. Санкт-Петербург, ул. Калинина, дом 2, корпус 4, литера А.