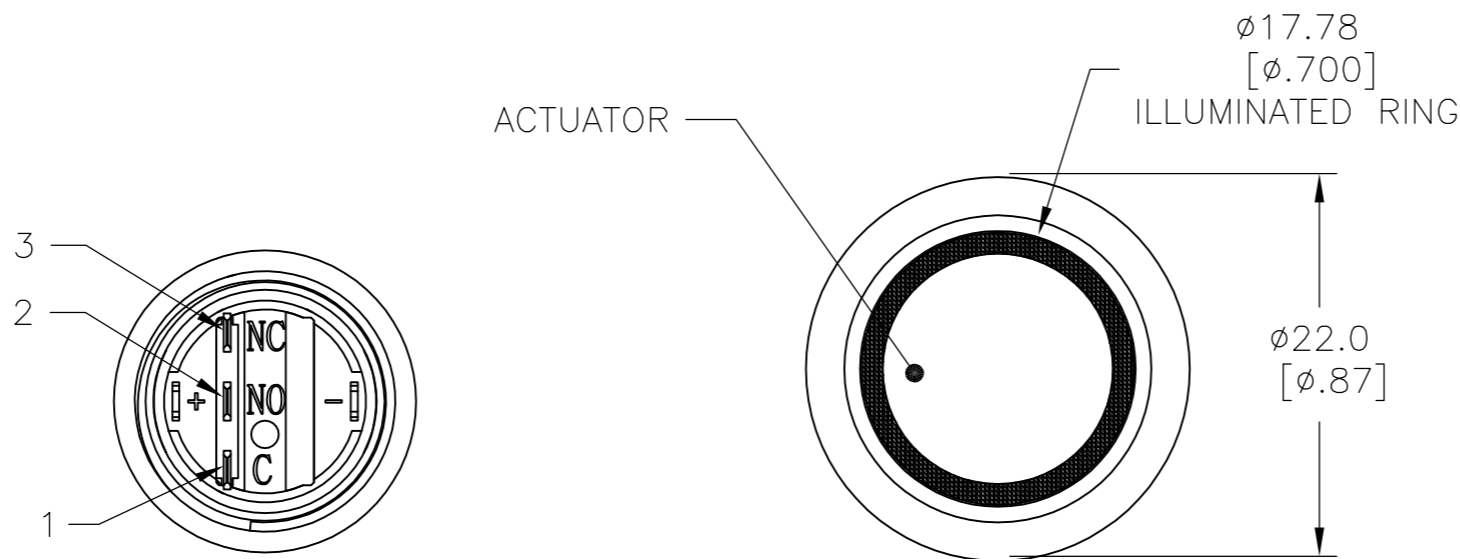
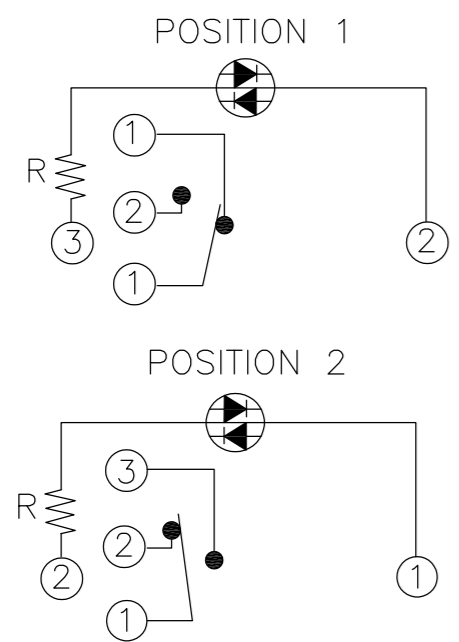
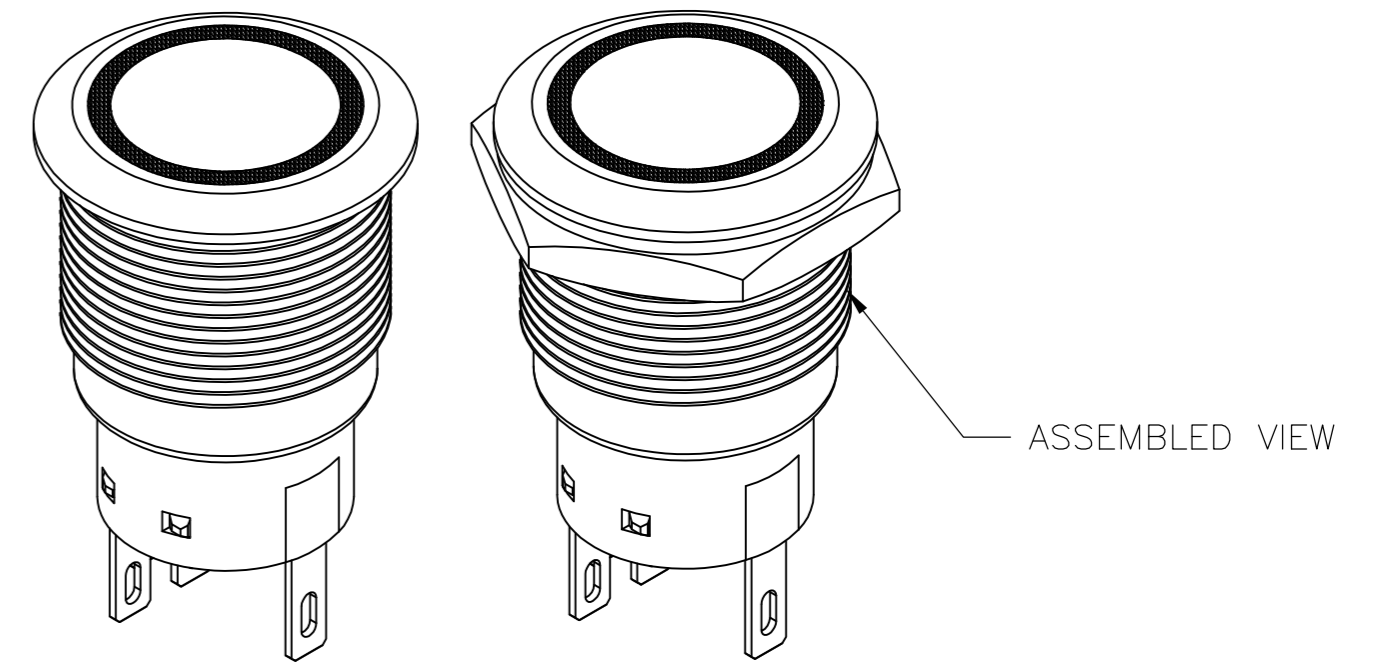
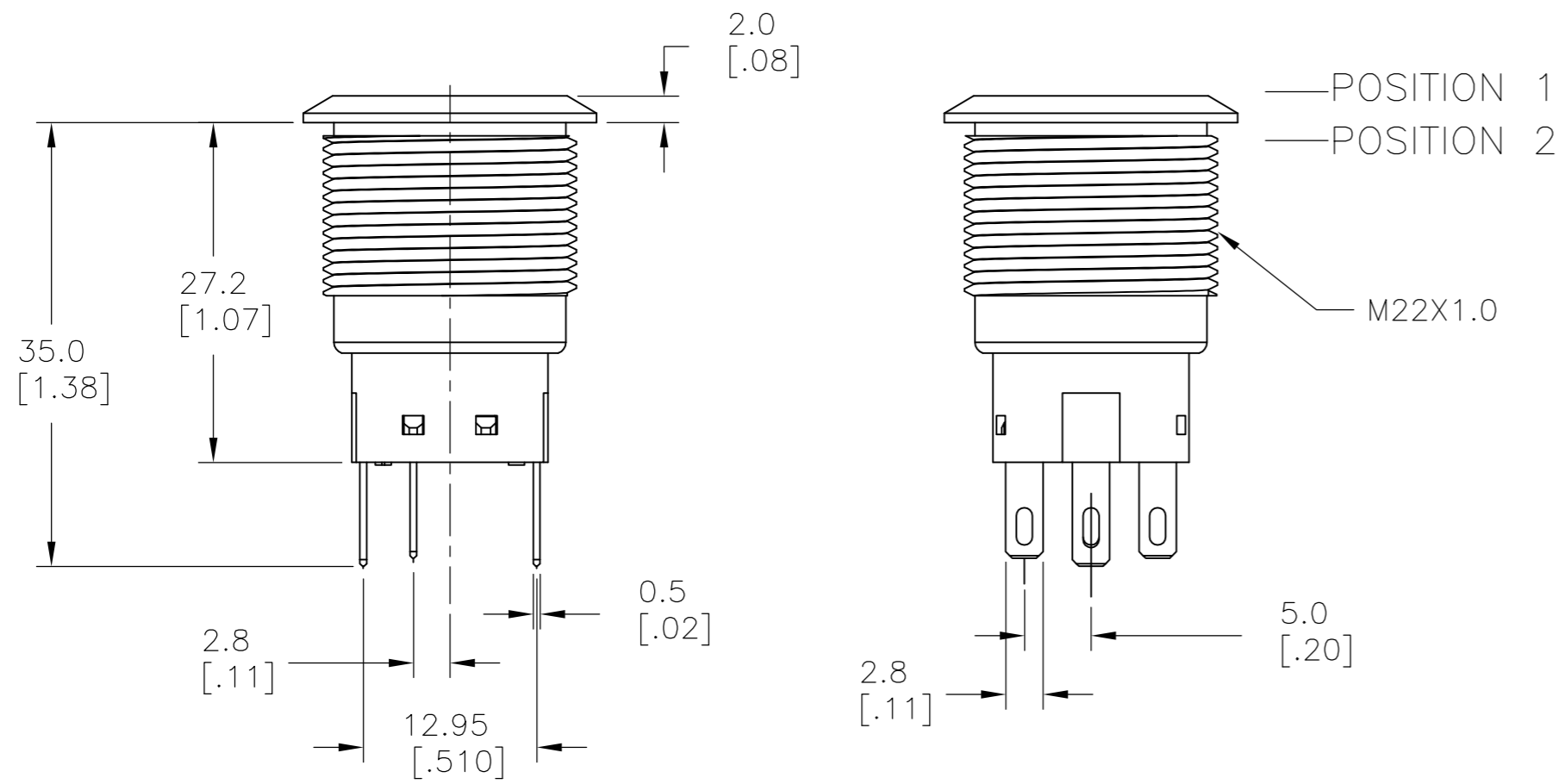


THIS DRAWING IS UNPUBLISHED. RELEASED FOR PUBLICATION
 © COPYRIGHT - By - ALL RIGHTS RESERVED.

| REVISIONS | | | | |
|-----------|-----|-------------|-----------|-------|
| P | LTR | DESCRIPTION | DATE | APVD |
| A | | NEW DRAWING | 09FEB2016 | NK RH |



SPECIFICATIONS

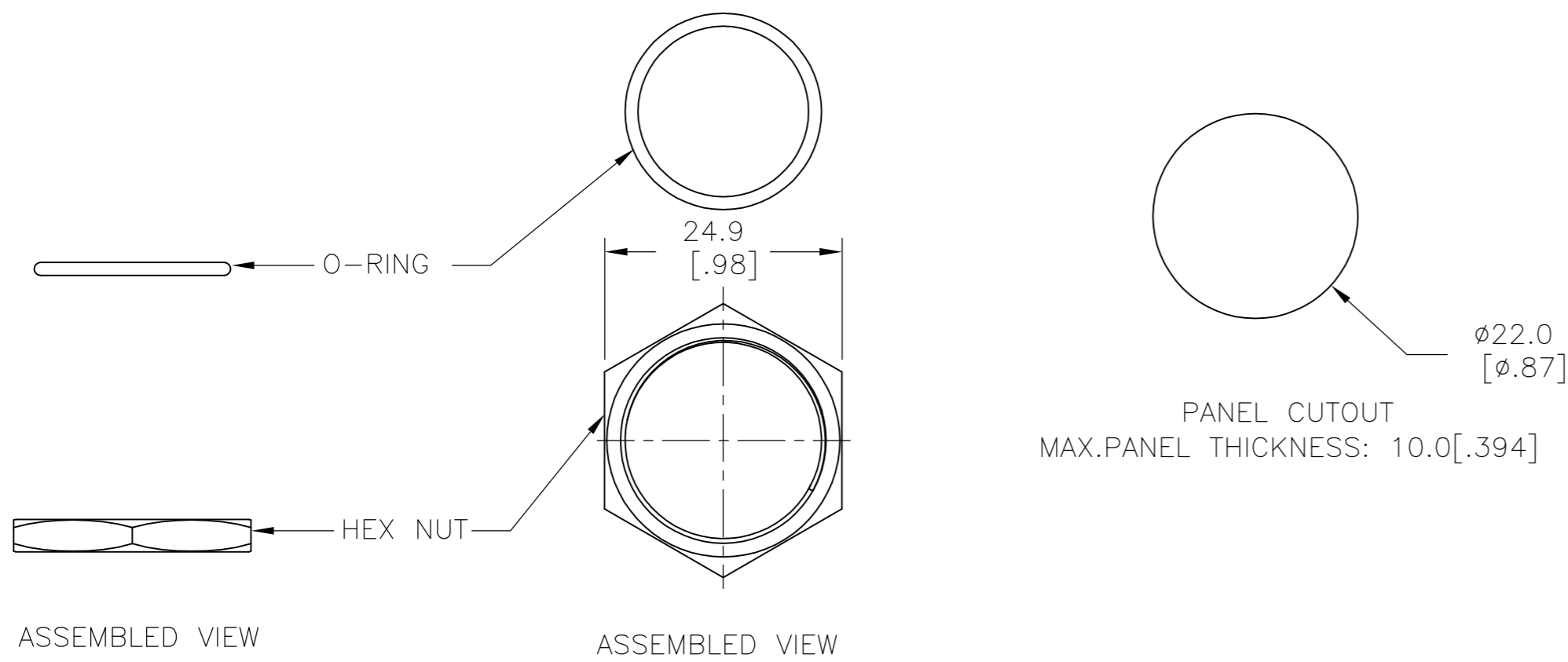
CONTACT RATING: SILVER: 3A @ 250 VAC RESISTIVE
 GOLD: 0.4VA @ 20VDC OR PEAK AC
 INSULATION RESISTANCE: 1,000MΩ MIN AT 500VDC
 DIELECTRIC STRENGTH: 2,000V RMS @ SEA LEVEL
 CONTACT RESISTANCE: 50 mΩ MAX @ 1A 12VDC (INITIAL VALUE)
 ELECTRICAL LIFECYCLES: 50,000 MAKE AND BREAK CYCLES AT FULL LOAD

ACTUATION FORCE: SP: 2.5±1 NEWTON, DP: 3.5±1 NEWTON
 ACTUATION TRAVEL: 3.2MM
 SEALED PER IP67, IK10 (STAINLESS)
 OPERATING TEMPERATURE: -20°C TO +55°C
 MECHANICAL LIFECYCLES: MOMENTARY: 1,000,000 CYCLES
 LOCKING: 500,000 CYCLES
 HARDWARE TORQUE: 5-14 N-m

MATERIALS

BUSHING: STAINLESS STEEL
 BASE: PBT (UL 94-V0), PC (UL 94-V2)
 ACTUATOR: STAINLESS STEEL, PC
 SEALING: O-RING (SILICONE)
 TERMINAL/CONTACT: COPPER BASE, SILVER/GOLD PLATED
 HEX NUT: BRASS BASE, NICKEL PLATED

1 ALL MATERIAL AND FINISHES SHALL COMPLY WITH EU DIRECTIVE 2002/95/EC OF 27JAN2003 (ROHS)

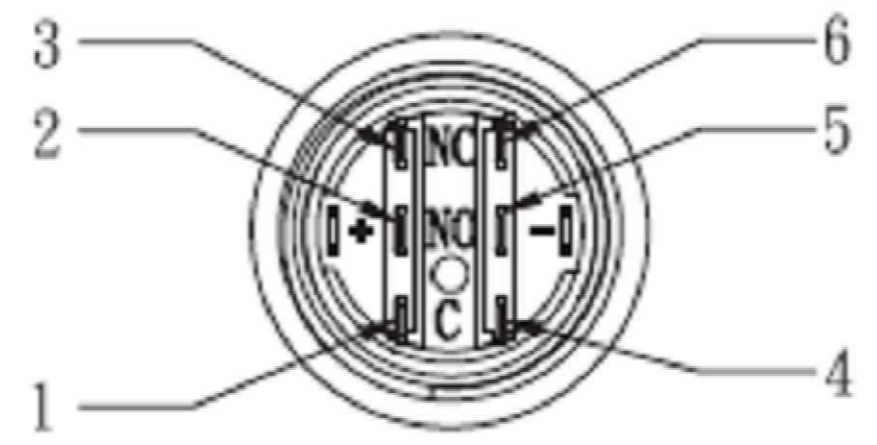
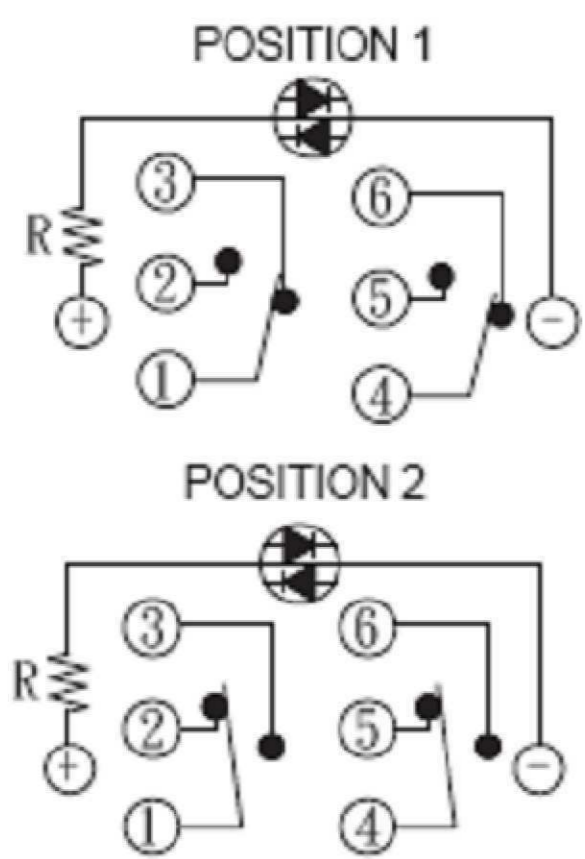
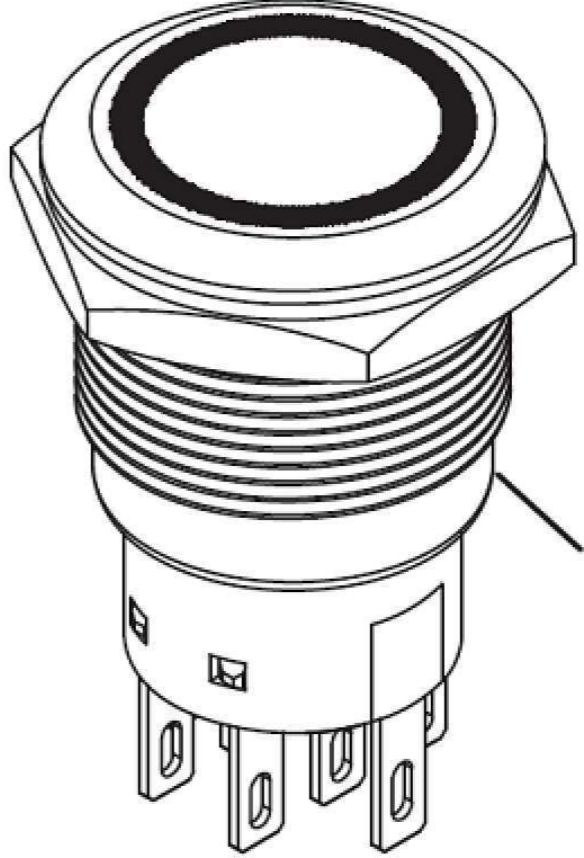
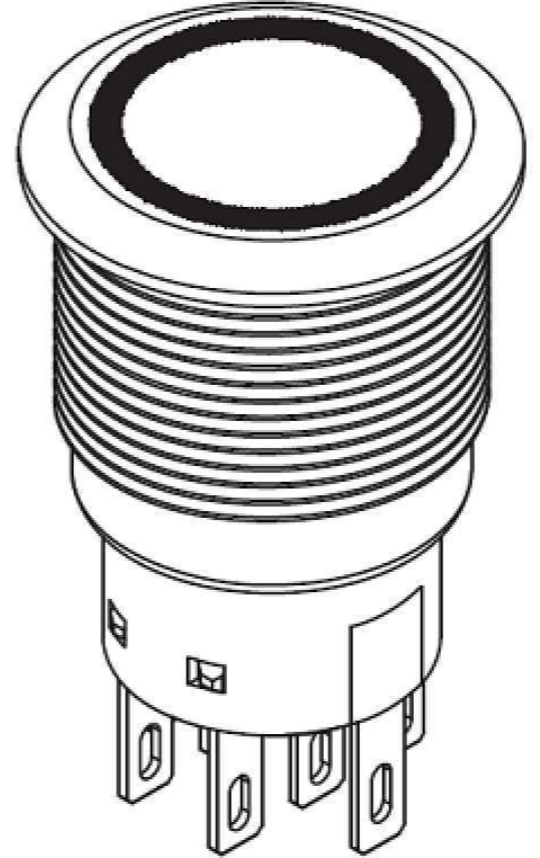
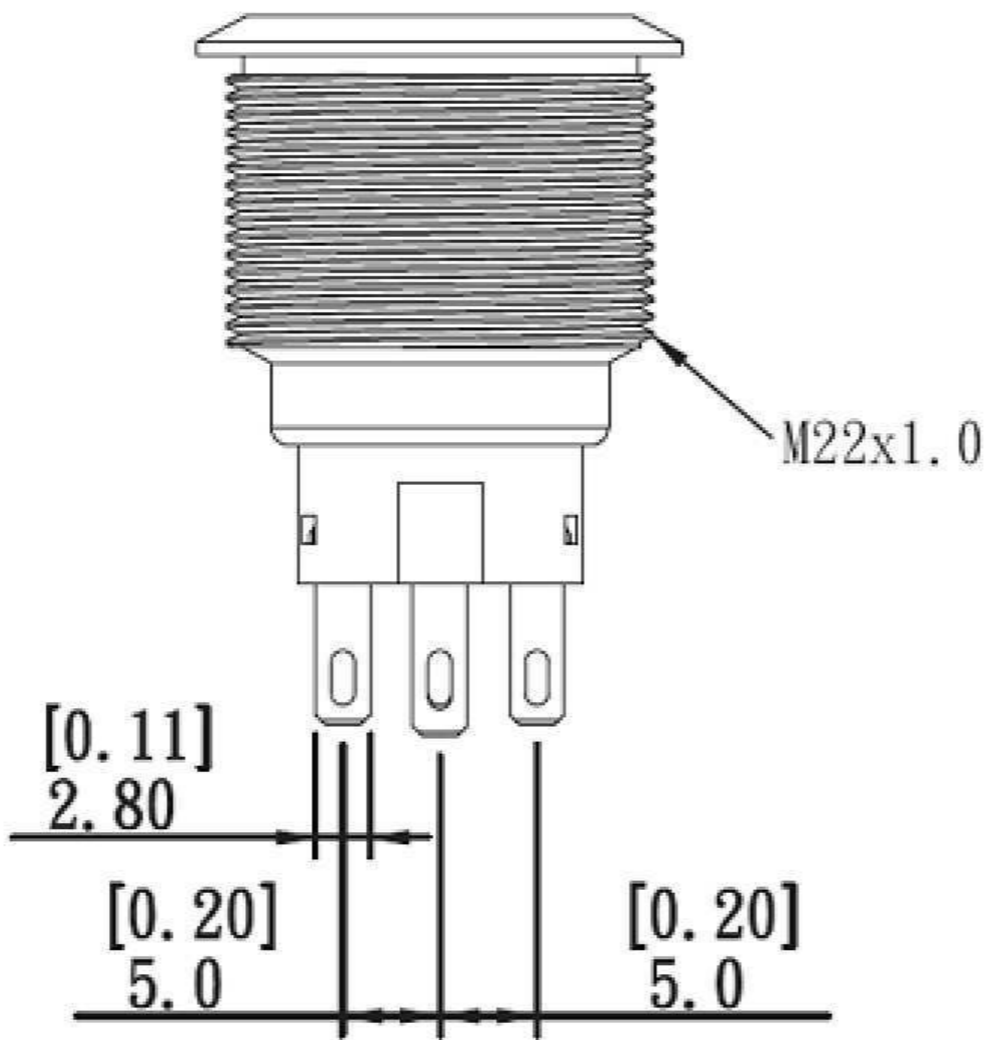
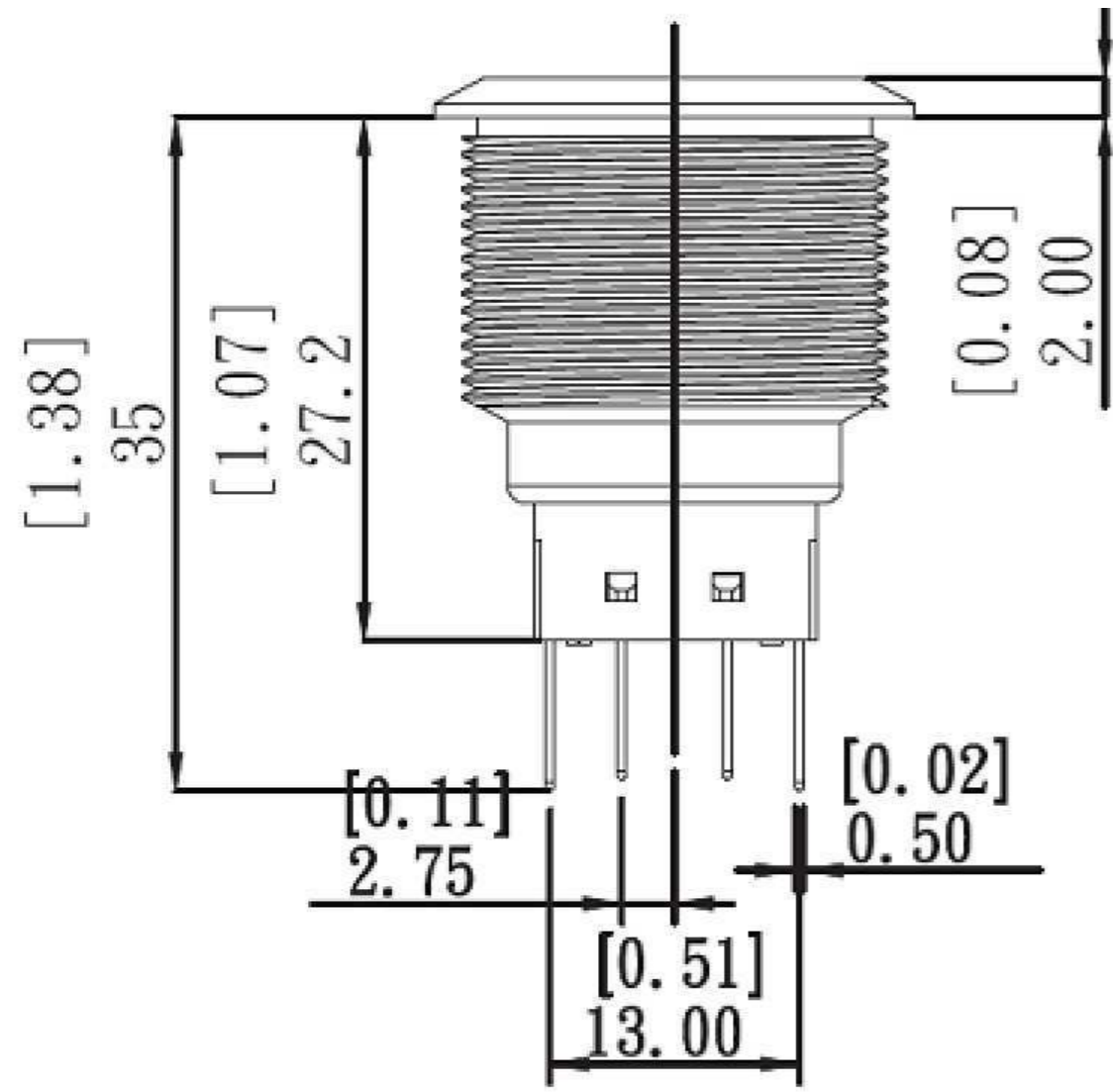


| | | | | |
|--|--|-----------------------------------|---|--|
| THIS DRAWING IS A CONTROLLED DOCUMENT. | | DWN NAGALAKSHMI K 09FEB2016 | | |
| DIMENSIONS: mm [INCHES] | | CHK HILL RYAN 09FEB2016 | | |
| TOLERANCES UNLESS OTHERWISE SPECIFIED: | | APVD HILL RYAN 09FEB2016 | NAME ANTI-VANDAL SWITCH 22mm MOVING RING LED | |
| 0 PLC ± - | | PRODUCT SPEC | SIZE A2 | |
| 1 PLC ± - | | APPLICATION SPEC | CAGE CODE 00779 | |
| 2 PLC ± - | | | DRAWING NO C=2213772 | |
| 3 PLC ± - | | | RESTRICTED TO | |
| 4 PLC ± - | | | | |
| ANGLES ± - | | | | |
| FINISH | | WEIGHT | SCALE 1:1 | |
| | | | SHEET 1 OF 4 | |
| | | CUSTOMER DRAWING | REV A | |

2213772

THIS DRAWING IS UNPUBLISHED. RELEASED FOR PUBLICATION
 © COPYRIGHT - By - ALL RIGHTS RESERVED.

| REVISIONS | | | | | |
|-----------|-----|-------------|------|-----|------|
| P | LTR | DESCRIPTION | DATE | DWN | APVD |
| - | - | SEE SHEET 1 | - | - | - |




| | | | | | | | | | | | | | | | | | | | | | | | | | | | | | | | | | | |
|---|--------|--------------------------------|--|---|--------------|-------|-----|---|---|---|-----|---|---|---|-----|---|---|---|-----|---|---|--|--------|---|---|--|--------|--|--|----------------------------------|------------|--------------------|-------------------------|--------------------|
| THIS DRAWING IS A CONTROLLED DOCUMENT. | | DWN 09FEB2016 NAGALAKSHMI K | | | | | | | | | | | | | | | | | | | | | | | | | | | | | | | | |
| DIMENSIONS: mm [INCHES] | | CHK 09FEB2016 HILL RYAN | | | | | | | | | | | | | | | | | | | | | | | | | | | | | | | | |
| TOLERANCES UNLESS OTHERWISE SPECIFIED: | | APVD 09FEB2016 HILL RYAN | NAME ANTI-VANDAL SWITCH 22mm MOVING RING LED | | | | | | | | | | | | | | | | | | | | | | | | | | | | | | | |
| <table border="1"> <tr><td>0</td><td>PLC</td><td>±</td><td>-</td></tr> <tr><td>1</td><td>PLC</td><td>±</td><td>-</td></tr> <tr><td>2</td><td>PLC</td><td>±</td><td>-</td></tr> <tr><td>3</td><td>PLC</td><td>±</td><td>-</td></tr> <tr><td>4</td><td>PLC</td><td>±</td><td>-</td></tr> <tr><td></td><td>ANGLES</td><td>±</td><td>-</td></tr> <tr><td></td><td>FINISH</td><td></td><td></td></tr> </table> | | 0 | PLC | ± | - | 1 | PLC | ± | - | 2 | PLC | ± | - | 3 | PLC | ± | - | 4 | PLC | ± | - | | ANGLES | ± | - | | FINISH | | | PRODUCT SPEC APPLICATION SPEC | SIZE A2 | CAGE CODE 00779 | DRAWING NO C=2213772 | RESTRICTED TO - |
| 0 | PLC | ± | - | | | | | | | | | | | | | | | | | | | | | | | | | | | | | | | |
| 1 | PLC | ± | - | | | | | | | | | | | | | | | | | | | | | | | | | | | | | | | |
| 2 | PLC | ± | - | | | | | | | | | | | | | | | | | | | | | | | | | | | | | | | |
| 3 | PLC | ± | - | | | | | | | | | | | | | | | | | | | | | | | | | | | | | | | |
| 4 | PLC | ± | - | | | | | | | | | | | | | | | | | | | | | | | | | | | | | | | |
| | ANGLES | ± | - | | | | | | | | | | | | | | | | | | | | | | | | | | | | | | | |
| | FINISH | | | | | | | | | | | | | | | | | | | | | | | | | | | | | | | | | |
| MATERIAL | | WEIGHT | SCALE 1:1 | | SHEET 2 of 4 | REV A | | | | | | | | | | | | | | | | | | | | | | | | | | | | |
| | | CUSTOMER DRAWING | | | | | | | | | | | | | | | | | | | | | | | | | | | | | | | | |

THIS DRAWING IS UNPUBLISHED. RELEASED FOR PUBLICATION
 © COPYRIGHT - By - ALL RIGHTS RESERVED.

| REVISIONS | | | | | |
|-----------|-----|-------------|------|-----|------|
| P | LTR | DESCRIPTION | DATE | DWN | APVD |
| - | - | SEE SHEET 1 | - | - | - |


| POLE/THROW | CONTACT | LED COLOR | LED VOLTAGE | TE DESCRIPTIVE PN | TE PART NUMBER |
|-----------------------|---------|-----------|---------------|-------------------|----------------|
| SINGLE POLE-LOCKING | GOLD | BLUE | 24V | AV2211E724R04 | 4-2213772-0 |
| | SILVER | BLUE | 24V | AV2211E724Q04 | 3-2213772-9 |
| | GOLD | BLUE | 12V | AV2211E712R04 | 3-2213772-8 |
| | SILVER | BLUE | 12V | AV2211E712Q04 | 3-2213772-7 |
| | GOLD | GREEN | 24V | AV2211E624R04 | 3-2213772-6 |
| | SILVER | GREEN | 24V | AV2211E624Q04 | 3-2213772-5 |
| | GOLD | GREEN | 12V | AV2211E612R04 | 3-2213772-4 |
| | SILVER | GREEN | 12V | AV2211E612Q04 | 3-2213772-3 |
| | GOLD | YELLOW | 24V | AV2211E524R04 | 3-2213772-2 |
| | SILVER | YELLOW | 24V | AV2211E524Q04 | 3-2213772-1 |
| | GOLD | YELLOW | 12V | AV2211E512R04 | 3-2213772-0 |
| | SILVER | YELLOW | 12V | AV2211E512Q04 | 2-2213772-9 |
| | GOLD | RED | 24V | AV2211E324R04 | 2-2213772-8 |
| | SILVER | RED | 24V | AV2211E324Q04 | 2-2213772-7 |
| | GOLD | RED | 12V | AV2211E312R04 | 2-2213772-6 |
| | SILVER | RED | 12V | AV2211E312Q04 | 2-2213772-5 |
| SINGLE POLE-MOMENTARY | GOLD | WHITE | 24V | AV2211E124R04 | 2-2213772-4 |
| | SILVER | WHITE | 24V | AV2211E124Q04 | 2-2213772-3 |
| | GOLD | WHITE | 12V | AV2211E112R04 | 2-2213772-2 |
| | SILVER | WHITE | 12V | AV2211E112Q04 | 2-2213772-1 |
| | GOLD | BLUE | 24V | AV2210E724R04 | 2-2213772-0 |
| | SILVER | BLUE | 24V | AV2210E724Q04 | 1-2213772-9 |
| | GOLD | BLUE | 12V | AV2210E712R04 | 1-2213772-8 |
| | SILVER | BLUE | 12V | AV2210E712Q04 | 1-2213772-7 |
| | GOLD | GREEN | 24V | AV2210E624R04 | 1-2213772-6 |
| | SILVER | GREEN | 24V | AV2210E624Q04 | 1-2213772-5 |
| | GOLD | GREEN | 12V | AV2210E612R04 | 1-2213772-4 |
| | SILVER | GREEN | 12V | AV2210E612Q04 | 1-2213772-3 |
| | GOLD | YELLOW | 24V | AV2210E524R04 | 1-2213772-2 |
| | SILVER | YELLOW | 24V | AV2210E524Q04 | 1-2213772-1 |
| | GOLD | YELLOW | 12V | AV2210E512R04 | 1-2213772-0 |
| | SILVER | YELLOW | 12V | AV2210E512Q04 | 2213772-9 |
| GOLD | RED | 24V | AV2210E324R04 | 2213772-8 | |
| SILVER | RED | 24V | AV2210E324Q04 | 2213772-7 | |
| GOLD | RED | 12V | AV2210E312R04 | 2213772-6 | |
| SILVER | RED | 12V | AV2210E312Q04 | 2213772-5 | |
| GOLD | WHITE | 24V | AV2210E124R04 | 2213772-4 | |
| SILVER | WHITE | 24V | AV2210E124Q04 | 2213772-3 | |
| GOLD | WHITE | 12V | AV2210E112R04 | 2213772-2 | |
| SILVER | WHITE | 12V | AV2210E112Q04 | 2213772-1 | |

| | | | | |
|---|--|-----------------------------------|---|--------------------|
| THIS DRAWING IS A CONTROLLED DOCUMENT. | | DWN NAGALAKSHMI K 09FEB2016 |  TE Connectivity | |
| DIMENSIONS: mm [INCHES] | | CHK HILL RYAN 09FEB2016 | | |
| TOLERANCES UNLESS OTHERWISE SPECIFIED: | | APVD HILL RYAN 09FEB2016 | NAME ANTI-VANDAL SWITCH 22mm MOVING RING LED | |
| 0 PLC ± - 1 PLC ± - 2 PLC ± - 3 PLC ± - 4 PLC ± - ANGLES ± - | | PRODUCT SPEC - | DRAWING NO A2 00779 C=2213772 | |
| MATERIAL - | | FINISH - | WEIGHT - | RESTRICTED TO - |
| CUSTOMER DRAWING | | | SCALE 1:1 | SHEET 3 of 4 |

THIS DRAWING IS UNPUBLISHED. RELEASED FOR PUBLICATION
 © COPYRIGHT - By - ALL RIGHTS RESERVED.

| REVISIONS | | | | | |
|-----------|-----|-------------|------|-----|------|
| P | LTR | DESCRIPTION | DATE | DWN | APVD |
| - | - | SEE SHEET 1 | - | - | - |

| POLE/THROW | CONTACT | LED COLOR | LED VOLTAGE | TE DESCRIPTIVE PN | TE PART NUMBER |
|-----------------------|---------|-----------|---------------|-------------------|----------------|
| DOUBLE POLE-LOCKING | GOLD | BLUE | 24V | AV2221E724R04 | 8-2213772-0 |
| | SILVER | BLUE | 24V | AV2221E724Q04 | 7-2213772-9 |
| | GOLD | BLUE | 12V | AV2221E712R04 | 7-2213772-8 |
| | SILVER | BLUE | 12V | AV2221E712Q04 | 7-2213772-7 |
| | GOLD | GREEN | 24V | AV2221E624R04 | 7-2213772-6 |
| | SILVER | GREEN | 24V | AV2221E624Q04 | 7-2213772-5 |
| | GOLD | GREEN | 12V | AV2221E612R04 | 7-2213772-4 |
| | SILVER | GREEN | 12V | AV2221E612Q04 | 7-2213772-3 |
| | GOLD | YELLOW | 24V | AV2221E524R04 | 7-2213772-2 |
| | SILVER | YELLOW | 24V | AV2221E524Q04 | 7-2213772-1 |
| | GOLD | YELLOW | 12V | AV2221E512R04 | 7-2213772-0 |
| | SILVER | YELLOW | 12V | AV2221E512Q04 | 6-2213772-9 |
| | GOLD | RED | 24V | AV2221E324R04 | 6-2213772-8 |
| | SILVER | RED | 24V | AV2221E324Q04 | 6-2213772-7 |
| | GOLD | RED | 12V | AV2221E312R04 | 6-2213772-6 |
| | SILVER | RED | 12V | AV2221E312Q04 | 6-2213772-5 |
| | GOLD | WHITE | 24V | AV2221E124R04 | 6-2213772-4 |
| | SILVER | WHITE | 24V | AV2221E124Q04 | 6-2213772-3 |
| GOLD | WHITE | 12V | AV2221E112R04 | 6-2213772-2 | |
| SILVER | WHITE | 12V | AV2221E112Q04 | 6-2213772-1 | |
| DOUBLE POLE-MOMENTARY | GOLD | BLUE | 24V | AV2220E724R04 | 6-2213772-0 |
| | SILVER | BLUE | 24V | AV2220E724Q04 | 5-2213772-9 |
| | GOLD | BLUE | 12V | AV2220E712R04 | 5-2213772-8 |
| | SILVER | BLUE | 12V | AV2220E712Q04 | 5-2213772-7 |
| | GOLD | GREEN | 24V | AV2220E624R04 | 5-2213772-6 |
| | SILVER | GREEN | 24V | AV2220E624Q04 | 5-2213772-5 |
| | GOLD | GREEN | 12V | AV2220E612R04 | 5-2213772-4 |
| | SILVER | GREEN | 12V | AV2220E612Q04 | 5-2213772-3 |
| | GOLD | YELLOW | 24V | AV2220E524R04 | 5-2213772-2 |
| | SILVER | YELLOW | 24V | AV2220E524Q04 | 5-2213772-1 |
| | GOLD | YELLOW | 12V | AV2220E512R04 | 5-2213772-0 |
| | SILVER | YELLOW | 12V | AV2220E512Q04 | 4-2213772-9 |
| | GOLD | RED | 24V | AV2220E324R04 | 4-2213772-8 |
| | SILVER | RED | 24V | AV2220E324Q04 | 4-2213772-7 |
| | GOLD | RED | 12V | AV2220E312R04 | 4-2213772-6 |
| | SILVER | RED | 12V | AV2220E312Q04 | 4-2213772-5 |
| | GOLD | WHITE | 24V | AV2220E124R04 | 4-2213772-4 |
| | SILVER | WHITE | 24V | AV2220E124Q04 | 4-2213772-3 |
| GOLD | WHITE | 12V | AV2220E112R04 | 4-2213772-2 | |
| SILVER | WHITE | 12V | AV2220E112Q04 | 4-2213772-1 | |

| | | | | | | | | | | | | | | | | | | | | | | |
|--|---|-----------------------------------|---|------------|--------------------|-------------------------|--------------|-----------------|----------|---|-------|---|---|-------|---|---|--------|---|---|-------------------|--------------------|--|
| THIS DRAWING IS A CONTROLLED DOCUMENT. | | DWN NAGALAKSHMI K 09FEB2016 |  TE Connectivity | | | | | | | | | | | | | | | | | | | |
| DIMENSIONS: mm [INCHES] | | CHK HILL RYAN 09FEB2016 | | | | | | | | | | | | | | | | | | | | |
| TOLERANCES UNLESS OTHERWISE SPECIFIED: | | APVD HILL RYAN 09FEB2016 | NAME ANTI-VANDAL SWITCH 22mm MOVING RING LED | | | | | | | | | | | | | | | | | | | |
| <table border="1"> <tr><td>0 PLC</td><td>±</td><td>-</td></tr> <tr><td>1 PLC</td><td>±</td><td>-</td></tr> <tr><td>2 PLC</td><td>±</td><td>-</td></tr> <tr><td>3 PLC</td><td>±</td><td>-</td></tr> <tr><td>4 PLC</td><td>±</td><td>-</td></tr> <tr><td>ANGLES</td><td>±</td><td>-</td></tr> </table> | | 0 PLC | ± | - | 1 PLC | ± | - | 2 PLC | ± | - | 3 PLC | ± | - | 4 PLC | ± | - | ANGLES | ± | - | PRODUCT SPEC - | RESTRICTED TO - | |
| 0 PLC | ± | - | | | | | | | | | | | | | | | | | | | | |
| 1 PLC | ± | - | | | | | | | | | | | | | | | | | | | | |
| 2 PLC | ± | - | | | | | | | | | | | | | | | | | | | | |
| 3 PLC | ± | - | | | | | | | | | | | | | | | | | | | | |
| 4 PLC | ± | - | | | | | | | | | | | | | | | | | | | | |
| ANGLES | ± | - | | | | | | | | | | | | | | | | | | | | |
| MATERIAL - | | FINISH - | WEIGHT - | SIZE A2 | CAGE CODE 00779 | DRAWING NO C=2213772 | SCALE 1:1 | SHEET 4 OF 4 | REV A | | | | | | | | | | | | | |
| CUSTOMER DRAWING | | | SCALE 1:1 | | SHEET 4 OF 4 | | REV A | | | | | | | | | | | | | | | |



Компания «ЭлектроПласт» предлагает заключение долгосрочных отношений при поставках импортных электронных компонентов на взаимовыгодных условиях!

Наши преимущества:

- Оперативные поставки широкого спектра электронных компонентов отечественного и импортного производства напрямую от производителей и с крупнейших мировых складов;
- Поставка более 17-ти миллионов наименований электронных компонентов;
- Поставка сложных, дефицитных, либо снятых с производства позиций;
- Оперативные сроки поставки под заказ (от 5 рабочих дней);
- Экспресс доставка в любую точку России;
- Техническая поддержка проекта, помощь в подборе аналогов, поставка прототипов;
- Система менеджмента качества сертифицирована по Международному стандарту ISO 9001;
- Лицензия ФСБ на осуществление работ с использованием сведений, составляющих государственную тайну;
- Поставка специализированных компонентов (Xilinx, Altera, Analog Devices, Intersil, Interpoint, Microsemi, Aeroflex, Peregrine, Syfer, Eurofarad, Texas Instrument, Miteq, Cobham, E2V, MA-COM, Hittite, Mini-Circuits, General Dynamics и др.);

Помимо этого, одним из направлений компании «ЭлектроПласт» является направление «Источники питания». Мы предлагаем Вам помощь Конструкторского отдела:

- Подбор оптимального решения, техническое обоснование при выборе компонента;
- Подбор аналогов;
- Консультации по применению компонента;
- Поставка образцов и прототипов;
- Техническая поддержка проекта;
- Защита от снятия компонента с производства.



Как с нами связаться

Телефон: 8 (812) 309 58 32 (многоканальный)

Факс: 8 (812) 320-02-42

Электронная почта: org@eplast1.ru

Адрес: 198099, г. Санкт-Петербург, ул. Калинина, дом 2, корпус 4, литера А.