

MICRO SWITCH™ Key-Operated Safety Interlock Switch GK Series

004790
Issue 1

Datasheet



DESCRIPTION

MICRO SWITCH™ GK Series switches are key-operated safety interlock rugged metal switches which monitor the positions of gates, guards, or doors. The key is attached to the moving portion of the gate, guard, or door. When the gate is closed, the key is inserted into the GK switch indicating a safe position (gate closed) and the machine process can start. The positive opening normally closed contacts (➡) are held closed when the key is inserted into the GK switch. Opening the gate, removes the key from the switch. This action opens the normally closed contacts of the switch and interrupts the machine's control circuit.

GK Series switches are designed with dual-entry positions for the key. The key can be inserted from the top or side of the switch which allows more flexibility in mounting the switch in the application. There are four different styles of keys and a variety of switch contact arrangements to satisfy the requirements for most applications requiring a safety interlock key switch. GK Series switches are designed with a unique friction feature for key retention. GK Series switches have been evaluated for safety functions up to and including a safety integrity level (SIL) of SIL3 when evaluated to the requirements of IEC 61508-2:2010.

VALUE TO CUSTOMERS

- Unique friction feature design for key retention
- Positive opening of all normally closed contacts when key is removed from the switch
- Electrical connection via threaded conduit and terminal screws or an integral mini style 10-pin connector
- GK Series switch mount to a standard EN50041 30 x 60 mm dimension
- Different styles of stainless steel keys to accommodate hinged or sliding doors, gates, or guards

FEATURES

- Electrostatic epoxy coated die-cast zinc housing with the EN50041 30 x 60 mm mounting
- Four different types of stainless steel keys
- 1NC/1NO, 2NC, 2NC/1NO, 2NC/2NO, 3NC/1NO, 4NC contact options
- Positive opening operation of normally closed contacts (➡) to EN/IEC 60947-5-1-3 specification
- Normally open (NO) contacts to indicate key has been removed
- Unique friction feature design for key retention
- Dual entry head design (side or top entry) for key; up to eight different key entry positions
- Optional one or two integral LEDs in cover of switch for monitoring switch signal and/or output status
- Different conduit options for global applications
- Operating temperature range of -25 °C to 85 °C [-13 °F to 185 °F]
- Switch body environmentally sealed to IP67 and NEMA 1, 4, 12, & 13
- CE, CSA, and UL agency certifications
- Designed and agency evaluated for safety functions up to and including a SIL3 level

POTENTIAL APPLICATIONS

- Hinged or sliding gates, guards, or doors for:
 - Machine tool and metalworking equipment
 - Plastic molding equipment
 - Robotic cells
 - Special purpose machinery

DIFFERENTIATION

- Up to four contacts within each switch for control circuit applications (NC contacts) and auxiliary contacts (NO contacts) to indicate the key removal from the switch
- Optional one integral LED to indicate power to the switch or two integral LEDs to indicate power to the switch and output status of the switch
- Designed and evaluated for safety functions up to and including a SIL3 level

PORTFOLIO

Honeywell safety interlocking switches include the metal solenoid [GKL/R Series](#), miniature plastic [GKM Series](#), EN50047 plastic body [GKE Series](#), and plastic body [GKN Series](#). Honeywell also offers non-interlocking safety switches ([GSS Series](#)), non-contact safety switches ([FF Series](#)) and cable/rope-pull safety switches ([1CPS & 2CPS Series](#)).

MICRO SWITCH™ Key-Operated Safety Interlock Switch, GK Series

Table 1. Specifications

| Characteristic | Parameter |
|--|--|
| Description | Dual entry key operated safety interlock switch |
| Certifications | CSA (C22.2 No.14. File 57323), UL (per UL508, File E37138), CE (per IEC 60947-1, IEC 60947-5-1) |
| Housing material | Epoxy coated die-cast zinc |
| Key (actuator) material | Stainless steel |
| Conduit/electrical connection | 0.5-14 NPT, 20 mm, PG 13,5 threaded conduit; 10-pin “mini” style connector |
| Contact/switch options* | 1NC/1NO; 2 NC; 2NC/2NO; 3NC/1NO; 4NC |
| Contact design | Double break, electrically separated |
| Contact material | Silver alloy (standard); gold-plated silver alloy (for low energy applications) |
| Utilization category | AC15, A300/A600**; DC13 Q300 |
| Rated operational voltage (Ue) | 240 Vac, 600 Vac, 250 Vdc |
| Rated operational current (Ie) | 3 A, 1.2 A, 0.27 A |
| Thermal current (Ith) | 10 A |
| Rated insulation voltage (Ui) | 300 V, 600 V |
| Rated impulse withstand voltage (Uimp) | 2500 V |
| Short circuit protective device (SCPD) | Class J fuse (10 A/600 V) |
| Conditional short-circuit current | 1000 A |
| Pollution degree | 3 |
| Environmental sealing | IP67; NEMA 1, 4, 12, & 13 |
| Operating temperature | -25 °C to 85 °C [-13 °F to 185 °F] |
| Shock | 50 G per IEC 60068-2-27 |
| Vibration | 10 G per IEC 60068-2-6 |
| MCTF (Mechanical life) | >1,000,000 cycles with single-sided confidence limit of 95 % |
| MCTF (Electrical life) | >60,000 cycles |
| SIL Capability | Up to and including SIL3 (HFT1), IEC 61508-2:2010 |
| Proof test interval | 1 year |
| Optional LEDs*** | GLC Series with 1 LED pilot light in front cover (supply voltage 12 Vac/dc to 250 Vac/dc) GLD Series with 2 LED pilot lights in front cover (supply voltage 18 Vdc to 30 Vdc) |

*All normally closed (NC) contacts are positive opening .

**A600 for 1NC/1NO contacts.

*** When switch includes LED pilot lights, the switch voltage is limited to the rated LED voltage.

Table 2. Electrical Rating

| ac | | | | dc | | | | gold-plated contacts |
|-------------|------|-----------|-------|-------|------|-----------|-------|------------------------------------|
| A300/A600** | AC15 | VA Rating | | Ue | Ie | VA Rating | | 1 V 10 µA min. 50 V 100 mA max. |
| Ue | Ie | Make | Break | Volts | Amps | Make | Break | |
| Volts | Amps | | | | | | | |
| 120 | 6 | 7200 | 720 | 24 | 2.8 | 69 | 69 | |
| 240 | 3 | 7200 | 720 | 125 | 0.55 | 69 | 69 | |
| 380 | 1.9 | 7200 | 720 | 250 | 0.27 | 69 | 69 | |
| 480 | 1.5 | 7200 | 720 | | | | | |
| 500 | 1.4 | 7200 | 720 | | | | | |
| 600 | 1.2 | 7200 | 720 | | | | | |

MICRO SWITCH™ Key-Operated Safety Interlock Switch, GK Series

Figure 1. Product Nomenclature

| Switch Type | Body/ Indicator | Conduit | Circuitry | | Head | Key* |
|---|----------------------------------|------------------|---------------------------------------|---|------------------------------------|--------------------------------------|
| GK Series Dual-Entry Key-Operated Safety Switch | B No indicator | A 1/2 NPT | 1 1NC/1NO snap action | 12 2NC/1NO, BBM slow acting | L Opening to front & top | 6 Straight |
| | C Single LED indicator | B PG 13.5 | 2 2NC/2NO snap action | 14 2NC/2NO, BBM slow acting | M Opening to right & top | 7 90 degree |
| | D Double LED indicator | C 20 mm | 3 1NC/1NO, BBM slow acting | 16 3NC/1NO, BBM slow acting | N Opening to back & top | 8 Up-down, spring loaded |
| | | | 4 1NC/1NO, MBB slow acting | 30 4NC, gold slow acting | P Opening to left & top | 9 Side-side, spring loaded |
| | | | 6 2NC slow acting | 32 2NC/1NO, BBM gold, slow acting | | X No key |
| | | | 7 1NC/1NO, gold snap action | 34 2NC/2NO, BBM gold, slow acting | | |
| | | | 10 4NC slow acting | 36 3NC/1NO, BBM gold, slow acting | | |

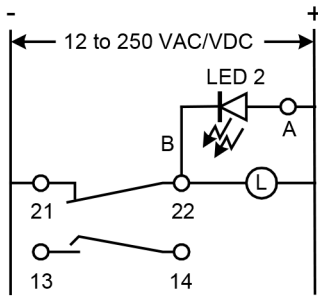
NOTE: not all combinations of model code are available. Please contact your Honeywell provider/representative for assistance.

* A key actuator is required for each switch. It can be specified with each switch or ordered separately.

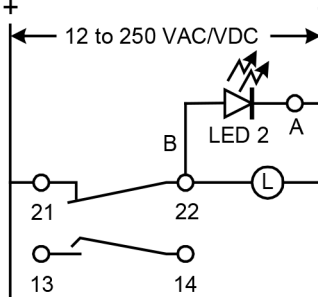
| *Keys Listing | Key Style |
|---------------|---------------|
| GKZ56 | 6 - straight |
| GKZ57 | 7 - 90° |
| GKZ58 | 8 - up/down |
| GKZ59 | 9 - side/side |

Figure 2. LED Wiring Diagrams

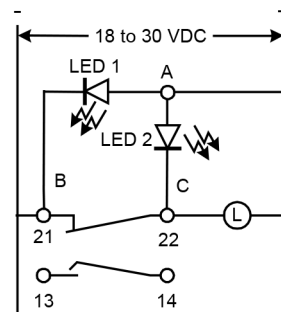
GKC Series



GKC Series



GKD Series



- LED 1 = Green (power on)
- LED 2 = Yellow (output status)
- A = Terminal
- B = Red wire
- C = Black wire
- L = Load

MICRO SWITCH™ Key-Operated Safety Interlock Switch, GK Series

Figure 3. Circuit Diagrams

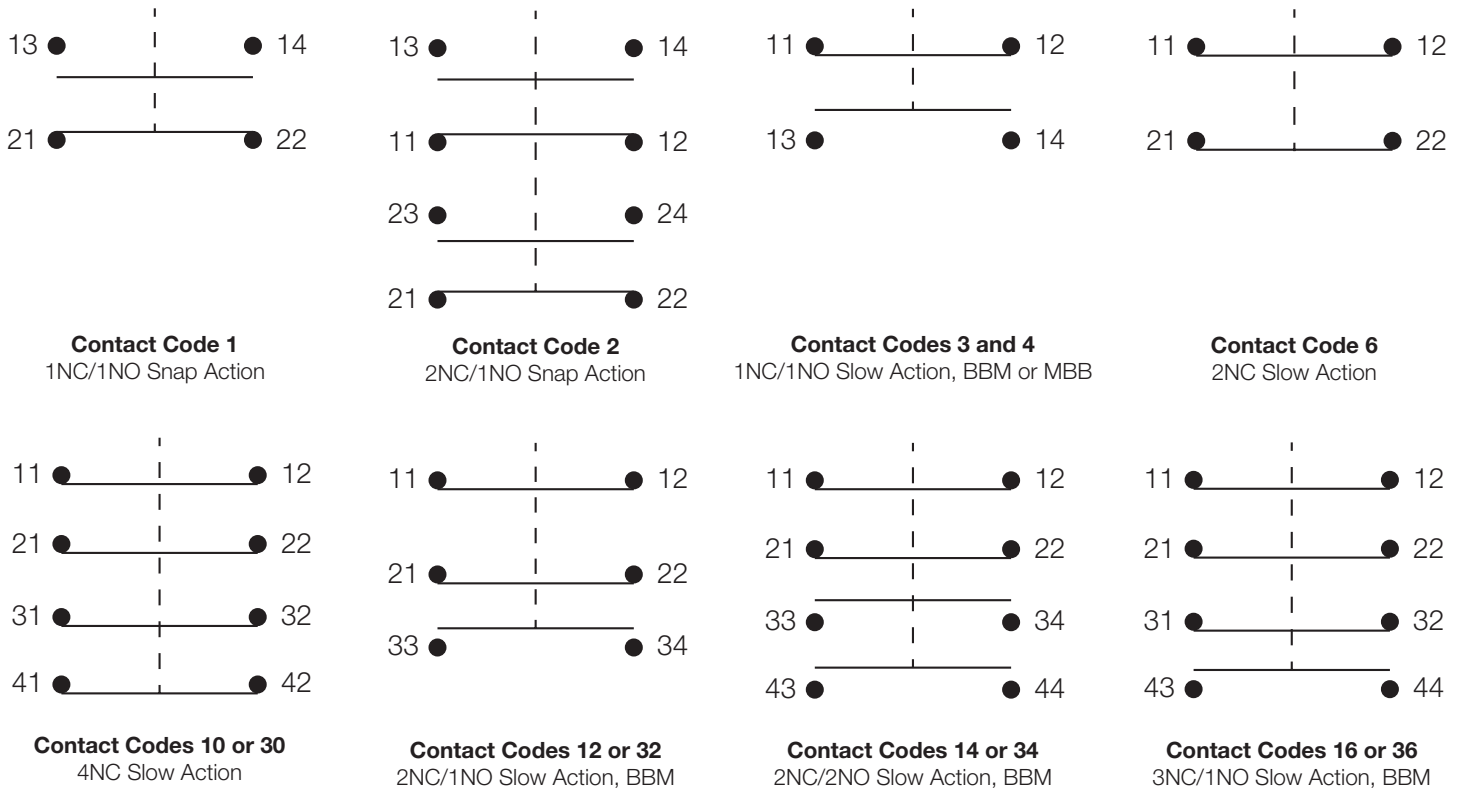
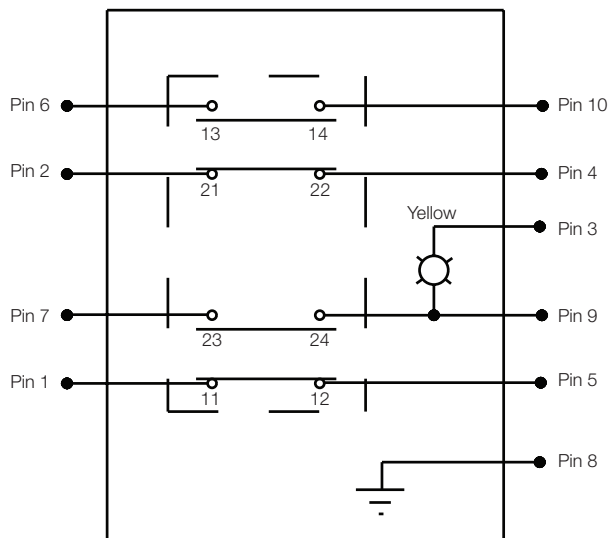
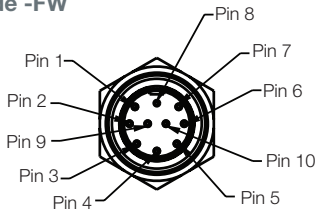


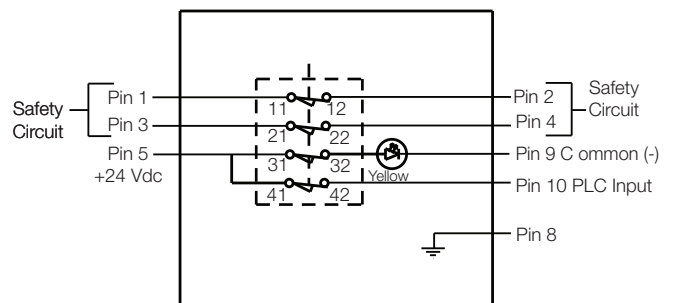
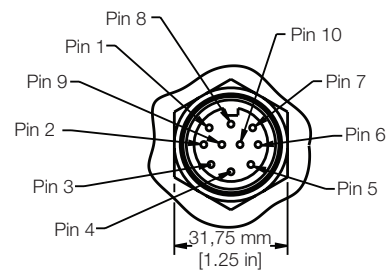
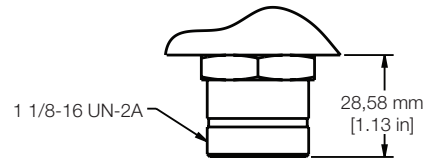
Figure 4. 10-Pin Connector Circuit Diagram, Modification Code -FW



Basic Switch to 10-pin Connector Circuit Diagram
Diagram shown with key inserted

Figure 5. 10-Pin Connector Circuit Diagram, Modification Code -F06

Switch Diagram State
Shown with Key Inserted



MICRO SWITCH™ Key-Operated Safety Interlock Switch, GK Series

Table 3. GK Safety Switch Order Guide

| Catalog Listing | Conduit | Contacts | Contact Material | Head Position (opening for key) | Key Style | with LED Pilot Light/s | Modification |
|-----------------|------------|--------------------------|------------------|---------------------------------|----------------------------|-------------------------|--------------------|
| GKBA1LX | 0.5-14 NPT | 1NC/1NO snap-action | Silver | Front & Top | – | – | – |
| GKCA1LX | 0.5-14 NPT | 1NC/1NO snap-action | Silver | Front & Top | – | 1 LED (yellow) | – |
| GKBC1LX | 20 mm | 1NC/1NO snap-action | Silver | Front & Top | – | – | – |
| GKCC1LX | 20 mm | 1NC/1NO snap-action | Silver | Front & Top | – | 1 LED (yellow) | – |
| GKBA1L6 | 0.5-14 NPT | 1NC/1NO snap-action | Silver | Front & Top | Straight key | – | – |
| GKCA1L6 | 0.5-14 NPT | 1NC/1NO snap-action | Silver | Front & Top | Straight key | 1 LED (yellow) | – |
| GKDA1L6 | 0.5-14 NPT | 1NC/1NO snap-action | Silver | Front & Top | Straight key | 2 LEDs (green & yellow) | – |
| GKBC1L6 | 20 mm | 1NC/1NO snap-action | Silver | Front & Top | Straight key | – | – |
| GKCC1L6 | 20 mm | 1NC/1NO snap-action | Silver | Front & Top | Straight key | 1 LED (yellow) | – |
| GKDC1L6 | 20 mm | 1NC/1NO snap-action | Silver | Front & Top | Straight key | 2 LEDs (green & yellow) | – |
| GKBA1L7 | 0.5-14 NPT | 1NC/1NO snap-action | Silver | Front & Top | 90° key | – | – |
| GKCA1L7 | 0.5-14 NPT | 1NC/1NO snap-action | Silver | Front & Top | 90° key | 1 LED (yellow) | – |
| GKBC1L7 | 20 mm | 1NC/1NO snap-action | Silver | Front & Top | 90° key | – | – |
| GKCC1L7 | 20 mm | 1NC/1NO snap-action | Silver | Front & Top | 90° key | 1 LED (yellow) | – |
| GKDC1L7 | 20 mm | 1NC/1NO snap-action | Silver | Front & Top | 90° key | 2 LEDs (green & yellow) | – |
| GKBA1L8 | 0.5-14 NPT | 1NC/1NO snap-action | Silver | Front & Top | Spring-loaded up/down | – | – |
| GKDA1L8 | 0.5-14 NPT | 1NC/1NO snap-action | Silver | Front & Top | Spring-loaded up/down | 2 LEDs (green & yellow) | – |
| GKBA1L8-F11 | 0.5-14 NPT | 1NC/1NO snap-action | Silver | Front & Top | Spring-loaded up/down | – | Fluorocarbon seals |
| GKBA1L9 | 0.5-14 NPT | 1NC/1NO snap-action | Silver | Front & Top | Spring-loaded side-to-side | – | – |
| GKCA1L9 | 0.5-14 NPT | 1NC/1NO snap-action | Silver | Front & Top | Spring-loaded side-to-side | 1 LED (yellow) | – |
| GKBA1M7 | 0.5-14 NPT | 1NC/1NO snap-action | Silver | Right & Top | 90° key | – | – |
| GKBA1M8 | 0.5-14 NPT | 1NC/1NO snap-action | Silver | Right & Top | Spring-loaded up/down | – | – |
| GKCA1M8 | 0.5-14 NPT | 1NC/1NO snap-action | Silver | Right & Top | Spring-loaded up/down | 1 LED (yellow) | – |
| GKBA1N6 | 0.5-14 NPT | 1NC/1NO snap-action | Silver | Back & Top | Straight key | – | – |
| GKBA1N7 | 0.5-14 NPT | 1NC/1NO snap-action | Silver | Back & Top | 90° key | – | – |
| GKBC1N7 | 20 mm | 1NC/1NO snap-action | Silver | Back & Top | 90° key | – | – |
| GKBA1P8 | 0.5-14 NPT | 1NC/1NO snap-action | Silver | Left & Top | Spring-loaded up/down | – | – |
| GKCA1P6 | 0.5-14 NPT | 1NC/1NO snap-action | Silver | Left & Top | Straight key | 1 LED (yellow) | – |
| GKCA1P7 | 0.5-14 NPT | 1NC/1NO snap-action | Silver | Left & Top | 90° key | 1 LED (yellow) | – |
| GKDA1P7 | 0.5-14 NPT | 1NC/1NO snap-action | Silver | Left & Top | 90° key | 2 LEDs (green & yellow) | – |
| GKBA3LX | 0.5-14 NPT | 1NC/1NO slow action, BBM | Silver | Front & Top | – | – | – |
| GKCA3LX | 0.5-14 NPT | 1NC/1NO slow action, BBM | Silver | Front & Top | – | 1 LED (yellow) | – |
| GKBA3L6 | 0.5-14 NPT | 1NC/1NO slow action, BBM | Silver | Front & Top | Straight key | – | – |
| GKCA3L6 | 0.5-14 NPT | 1NC/1NO slow action, BBM | Silver | Front & Top | Straight key | 1 LED (yellow) | – |
| GKDA3L6 | 0.5-14 NPT | 1NC/1NO slow action, BBM | Silver | Front & Top | Straight key | 2 LEDs (green & yellow) | – |
| GKBA3L7 | 0.5-14 NPT | 1NC/1NO slow action, BBM | Silver | Front & Top | 90° key | – | – |

MICRO SWITCH™ Key-Operated Safety Interlock Switch, GK Series

Table 3. GK Safety Switch Order Guide, continued

| Catalog Listing | Conduit | Contacts | Contact Material | Head Position (opening for key) | Key Style | with LED Pilot Light/s | Modification |
|-----------------|------------|--------------------------|------------------|---------------------------------|----------------------------|-------------------------|---------------------------------------|
| GKBB3L7 | PG 13,5 | 1NC/1NO slow action, BBM | Silver | Front & Top | 90° key | – | – |
| GKBA3L8 | 0.5-14 NPT | 1NC/1NO slow action, BBM | Silver | Front & Top | Spring-loaded up/down | – | – |
| GKBA3L9 | 0.5-14 NPT | 1NC/1NO slow action, BBM | Silver | Front & Top | Spring-loaded side-to-side | – | – |
| GKDA3L9 | 0.5-14 NPT | 1NC/1NO slow action, BBM | Silver | Front & Top | Spring-loaded side-to-side | 2 LEDs (green & yellow) | – |
| GKBA4LX | 0.5-14 NPT | 1NC/1NO slow action, MBB | Silver | Front & Top | – | – | – |
| GKBA6LX | 0.5-14 NPT | 2NC slow action | Silver | Front & Top | – | – | – |
| GKCA6LX | 0.5-14 NPT | 2NC slow action | Silver | Front & Top | – | 1 LED (yellow) | – |
| GKCC6LX | 20 mm | 2NC slow action | Silver | Front & Top | – | 1 LED (yellow) | – |
| GKBC6LX | 20 mm | 2NC slow action | Silver | Front & Top | – | – | – |
| GKCA6L6 | 0.5-14 NPT | 2NC slow action | Silver | Front & Top | Straight key | 1 LED (yellow) | – |
| GKBC6L6 | 20 mm | 2NC slow action | Silver | Front & Top | Straight key | – | – |
| GKBA6L7 | 0.5-14 NPT | 2NC slow action | Silver | Front & Top | 90° key | – | – |
| GKBB6L7 | PG 13,5 | 2NC slow action | Silver | Front & Top | 90° key | – | – |
| GKBB6L9 | PG 13,5 | 2NC slow action | Silver | Front & Top | Spring-loaded side-to-side | – | – |
| GKDB6L9 | PG 13,5 | 2NC slow action | Silver | Front & Top | Spring-loaded side-to-side | 2 LEDs (green & yellow) | – |
| GKCA6M8 | 0.5-14 NPT | 2NC slow action | Silver | Right & Top | Spring-loaded up/down | 1 LED (yellow) | – |
| GKCA6N7 | 0.5-14 NPT | 2NC slow action | Silver | Back & Top | 90° key | 1 LED (yellow) | – |
| GKBA6N8 | 0.5-14 NPT | 2NC slow action | Silver | Back & Top | Spring-loaded up/down | – | – |
| GKBA32L7 | 0.5-14 NPT | 2NC/1NO slow action, BBM | Gold-plated | Front & Top | 90° key | – | – |
| GKBA2LX | 0.5-14 NPT | 2NC/2NO snap-action | Silver | Front & Top | – | – | – |
| GKDA2LX | 0.5-14 NPT | 2NC/2NO snap-action | Silver | Front & Top | – | 2 LEDs (green & yellow) | – |
| GKBC2LX | 20 mm | 2NC/2NO snap-action | Silver | Front & Top | – | – | – |
| GKDA2L7 | 0.5-14 NPT | 2NC/2NO snap-action | Silver | Front & Top | 90° key | 2 LEDs (green & yellow) | – |
| GKBA14LX | 0.5-14 NPT | 2NC/2NO slow action, BBM | Silver | Front & Top | – | – | – |
| GKBA34LX | 0.5-14 NPT | 2NC/2NO slow action, BBM | Gold-plated | Front & Top | – | – | – |
| GKBB14LX | PG 13,5 | 2NC/2NO slow action, BBM | Silver | Front & Top | – | – | – |
| GKBC14LX | 20 mm | 2NC/2NO slow action, BBM | Silver | Front & Top | – | – | – |
| GKBA14L6 | 0.5-14 NPT | 2NC/2NO slow action, BBM | Silver | Front & Top | Straight key | – | – |
| GKCA14L6 | 0.5-14 NPT | 2NC/2NO slow action, BBM | Silver | Front & Top | Straight key | 1 LED (yellow) | – |
| GKDA14L6 | 0.5-14 NPT | 2NC/2NO slow action, BBM | Silver | Front & Top | Straight key | 2 LEDs (green & yellow) | – |
| GKCA14L6-FW | – | 2NC/2NO slow action, BBM | Silver | Front & Top | Straight key | 1 LED (yellow) | Pre-wired 10-pin mini-style connector |
| GKCA34L6-FW | – | 2NC/2NO slow action, BBM | Gold-plated | Front & Top | Straight key | 1 LED (yellow) | Pre-wired 10-pin mini-style connector |

MICRO SWITCH™ Key-Operated Safety Interlock Switch, GK Series

Table 3. GK Safety Switch Order Guide, continued

| Catalog Listing | Conduit | Contacts | Contact Material | Head Position (opening for key) | Key Style | with LED Pilot Light/s | Modification |
|-----------------|------------|--------------------------|------------------|---------------------------------|----------------------------|-------------------------|---------------------------------------|
| GKBB14L6 | PG 13,5 | 2NC/2NO slow action, BBM | Silver | Front & Top | Straight key | – | – |
| GKBC14L6 | 20 mm | 2NC/2NO slow action, BBM | Silver | Front & Top | Straight key | – | – |
| GKBA14L7 | 0.5-14 NPT | 2NC/2NO slow action, BBM | Silver | Front & Top | 90° key | – | – |
| GKCA14L7 | 0.5-14 NPT | 2NC/2NO slow action, BBM | Silver | Front & Top | 90° key | 1 LED (yellow) | – |
| GKDA14L7 | 0.5-14 NPT | 2NC/2NO slow action, BBM | Silver | Front & Top | 90° key | 2 LEDs (green & yellow) | – |
| GKCA14L7-FW | – | 2NC/2NO slow action, BBM | Silver | Front & Top | 90° key | 1 LED (yellow) | Pre-wired 10-pin mini-style connector |
| GKCA34L7-FW | – | 2NC/2NO slow action, BBM | Gold-plated | Front & Top | 90° key | 1 LED (yellow) | Pre-wired 10-pin mini-style connector |
| GKBB14L7 | PG 13,5 | 2NC/2NO slow action, BBM | Silver | Front & Top | 90° key | – | – |
| GKBC14L7 | 20 mm | 2NC/2NO slow action, BBM | Silver | Front & Top | 90° key | – | – |
| GKBA14L8 | 0.5-14 NPT | 2NC/2NO slow action, BBM | Silver | Front & Top | Spring-loaded up/down | – | – |
| GKCA14L8 | 0.5-14 NPT | 2NC/2NO slow action, BBM | Silver | Front & Top | Spring-loaded up/down | 1 LED (yellow) | – |
| GKBB14L8 | PG 13,5 | 2NC/2NO slow action, BBM | Silver | Front & Top | Spring-loaded up/down | – | – |
| GKBA14L9 | 0.5-14 NPT | 2NC/2NO slow action, BBM | Silver | Front & Top | Spring-loaded side-to-side | – | – |
| GKCA14L9 | 0.5-14 NPT | 2NC/2NO slow action, BBM | Silver | Front & Top | Spring-loaded side-to-side | 1 LED (yellow) | – |
| GKCA14L9-FW | – | 2NC/2NO slow action, BBM | Silver | Front & Top | Spring-loaded side-to-side | 1 LED (yellow) | Pre-wired 10-pin mini-style connector |
| GKBB14L9 | PG 13,5 | 2NC/2NO slow action, BBM | Silver | Front & Top | Spring-loaded side-to-side | – | – |
| GKBC14L9 | 20 mm | 2NC/2NO slow action, BBM | Silver | Front & Top | Spring-loaded side-to-side | – | – |
| GKCA14MX | 0.5-14 NPT | 2NC/2NO slow action, BBM | Silver | Right & Top | – | 1 LED (yellow) | – |
| GKBA14M6 | 0.5-14 NPT | 2NC/2NO slow action, BBM | Silver | Right & Top | Straight key | – | – |
| GKCA14M6 | 0.5-14 NPT | 2NC/2NO slow action, BBM | Silver | Right & Top | Straight key | 1 LED (yellow) | – |
| GKCA14M6-FW | – | 2NC/2NO slow action, BBM | Silver | Right & Top | Straight key | 1 LED (yellow) | Pre-wired 10-pin mini-style connector |
| GKCA34M6-FW | – | 2NC/2NO slow action, BBM | Gold-plated | Right & Top | Straight key | 1 LED (yellow) | Pre-wired 10-pin mini-style connector |
| GKBB14M6 | PG 13,5 | 2NC/2NO slow action, BBM | Silver | Right & Top | Straight key | – | – |
| GKBB14M9 | PG 13,5 | 2NC/2NO slow action, BBM | Silver | Right & Top | Spring-loaded side-to-side | – | – |
| GKBA14N6 | 0.5-14 NPT | 2NC/2NO slow action, BBM | Silver | Back & Top | Straight key | – | – |
| GKCA14N6 | 0.5-14 NPT | 2NC/2NO slow action, BBM | Silver | Back & Top | Straight key | 1 LED (yellow) | – |
| GKBB14P6 | PG 13,5 | 2NC/2NO slow action, BBM | Silver | Left & Top | Straight key | – | – |
| GKDA14P7 | 0.5-14 NPT | 2NC/2NO slow action, BBM | Silver | Left & Top | 90° key | 2 LEDs (green & yellow) | – |
| GKCA14P6-FW | – | 2NC/2NO slow action, BBM | Silver | Left & Top | Straight key | 1 LED (yellow) | Pre-wired 10-pin mini-style connector |

MICRO SWITCH™ Key-Operated Safety Interlock Switch, GK Series

Table 3. GK Safety Switch Order Guide, continued

| Catalog Listing | Conduit | Contacts | Contact Material | Head Position (opening for key) | Key Style | with LED Pilot Light/s | Modification |
|-----------------|------------|--------------------------|------------------|---------------------------------|----------------------------|------------------------|---------------------------------------|
| GKCA34P6-FW | – | 2NC/2NO slow action, BBM | Gold-plated | Left & Top | Straight key | 1 LED (yellow) | Pre-wired 10-pin mini-style connector |
| GKBA36LX | 0.5-14 NPT | 3NC/1NO slow action, BBM | Gold-plated | Front & Top | – | – | – |
| GKCA36LX | 0.5-14 NPT | 3NC/1NO slow action, BBM | Gold-plated | Front & Top | – | 1 LED (yellow) | – |
| GKBC36LX | 20 mm | 3NC/1NO slow action, BBM | Gold-plated | Front & Top | – | – | – |
| GKCC36LX | 20 mm | 3NC/1NO slow action, BBM | Gold-plated | Front & Top | – | 1 LED (yellow) | – |
| GKBB16LX | PG 13,5 | 3NC/1NO slow action, BBM | Silver | Front & Top | – | – | – |
| GKBC16LX | 20 mm | 3NC/1NO slow action, BBM | Silver | Front & Top | – | – | – |
| GKBA16L6 | 0.5-14 NPT | 3NC/1NO slow action, BBM | Silver | Front & Top | Straight key | – | – |
| GKBA16L7 | 0.5-14 NPT | 3NC/1NO slow action, BBM | Silver | Front & Top | 90° key | – | – |
| GKBC16L7 | 20 mm | 3NC/1NO slow action, BBM | Silver | Front & Top | 90° key | – | – |
| GKBA36L8 | 0.5-14 NPT | 3NC/1NO slow action, BBM | Gold-plated | Front & Top | Spring-loaded up/down | – | – |
| GKBC16L8 | 20 mm | 3NC/1NO slow action, BBM | Silver | Front & Top | Spring-loaded up/down | – | – |
| GKBA16L8 | 0.5-14 NPT | 3NC/1NO slow action, BBM | Silver | Front & Top | Spring-loaded up/down | – | – |
| GKBA16L9 | 0.5-14 NPT | 3NC/1NO slow action, BBM | Silver | Front & Top | Spring-loaded side-to-side | – | – |
| GKBC16M6 | 20 mm | 3NC/1NO slow action, BBM | Silver | Right & Top | Straight key | – | – |
| GKBA10LX | 0.5-14 NPT | 4NC slow action | Silver | Front & Top | – | – | – |
| GKBC10LX | 20 mm | 4NC slow action | Silver | Front & Top | – | – | – |
| GKBA30LX | 0.5-14 NPT | 4NC slow action | Gold-plated | Front & Top | – | – | – |
| GKCA30LX | 0.5-14 NPT | 4NC slow action | Gold-plated | Front & Top | – | 1 LED (yellow) | – |
| GKBC30LX | 20 mm | 4NC slow action | Gold-plated | Front & Top | – | – | – |
| GKCC30LX | 20 mm | 4NC slow action | Gold-plated | Front & Top | – | 1 LED (yellow) | – |
| GKBA10L6 | 0.5-14 NPT | 4NC slow action | Silver | Front & Top | Straight key | – | – |
| GK-CA10L6-F06-C | – | 4NC slow action | Silver | Front & Top | Straight key | 1 LED (yellow) | Pre-wired 10-pin mini-style connector |
| GKBA10L7 | 0.5-14 NPT | 4NC slow action | Silver | Front & Top | 90° key | – | – |
| GKBA10L9 | 0.5-14 NPT | 4NC slow action | Silver | Front & Top | Spring-loaded side-to-side | – | – |
| GKBA10N6 | 0.5-14 NPT | 4NC slow action | Silver | Back & Top | Straight key | – | – |
| GKBA10N8 | 0.5-14 NPT | 4NC slow action | Silver | Back & Top | Spring-loaded up/down | – | – |

MICRO SWITCH™ Key-Operated Safety Interlock Switch, GK Series

Figure 6. GK Series Overall Dimensions mm [in]

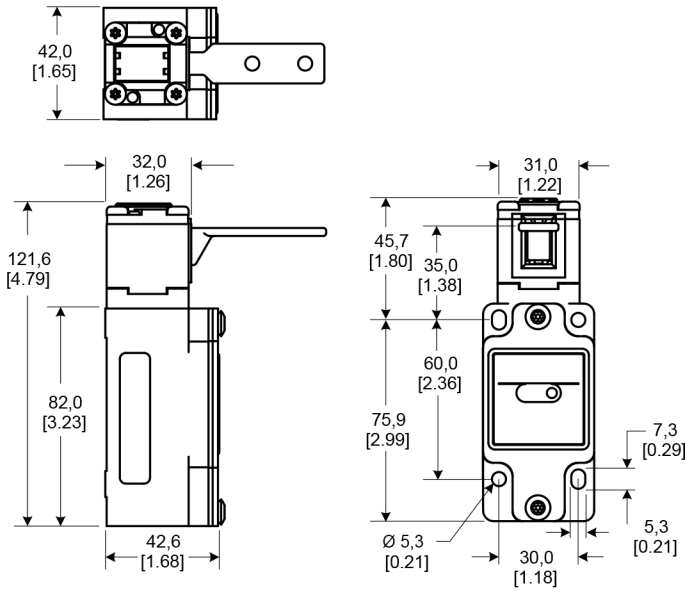


Figure 7. GK Series LEDs

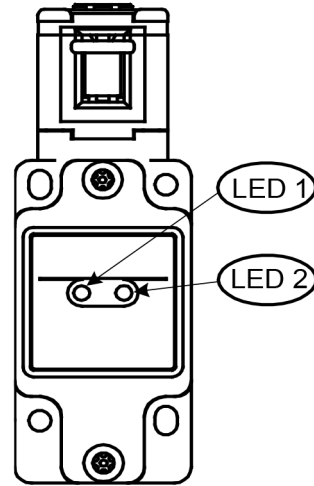


Figure 8. GK Series Head Code L

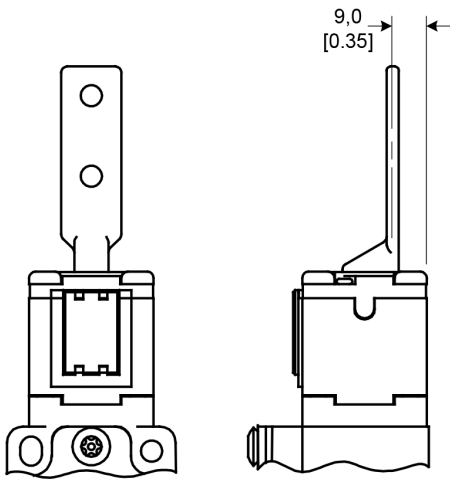


Figure 9. GK Series Head Code M

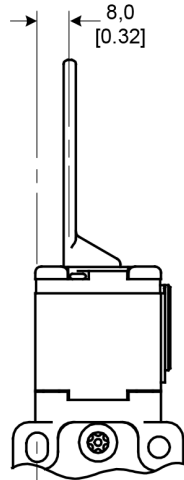


Figure 10. GK Series Head Code N

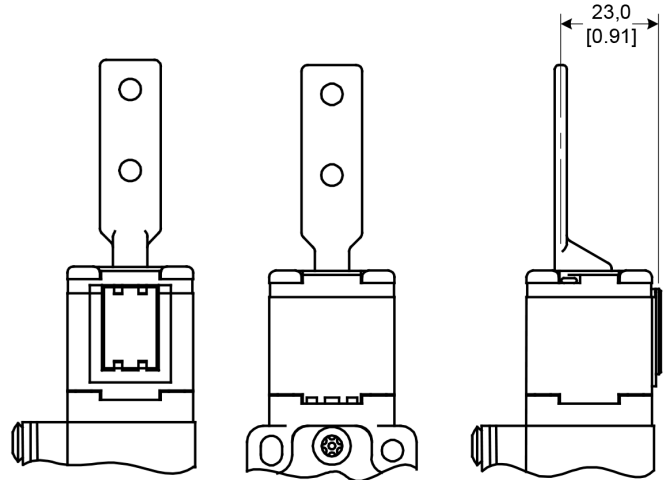
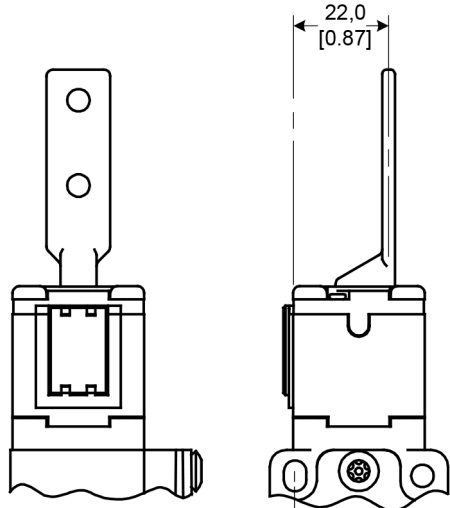


Figure 11. GK Series Head Code P



MICRO SWITCH™ Key-Operated Safety Interlock Switch, GK Series

Figure 12. GK Series GKZ56 Key mm [in]

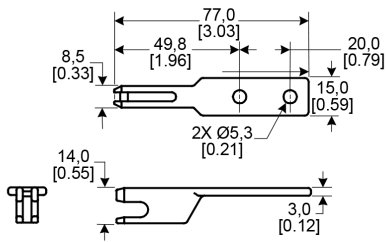


Figure 13. GK Series GKZ57 Key mm [in]

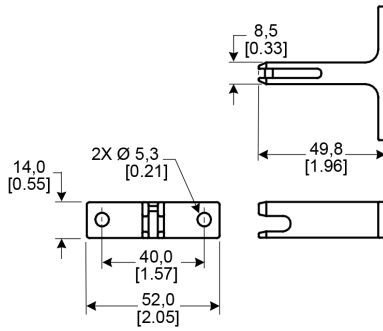
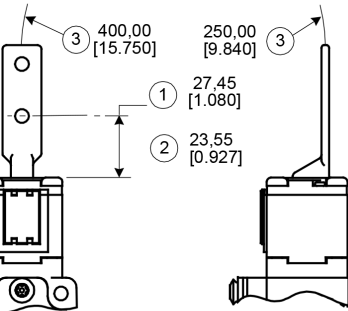
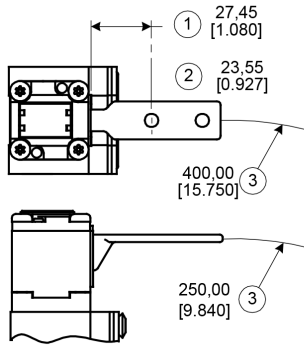
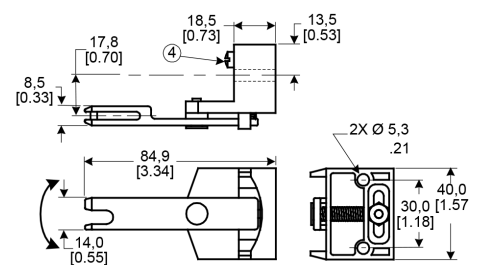
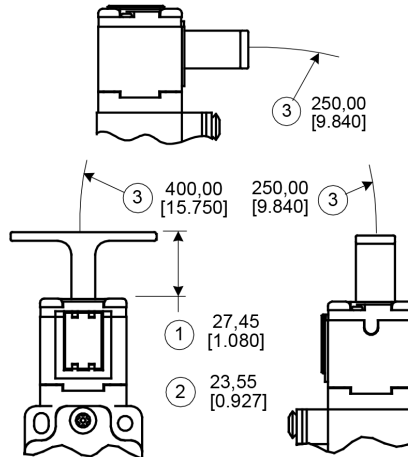
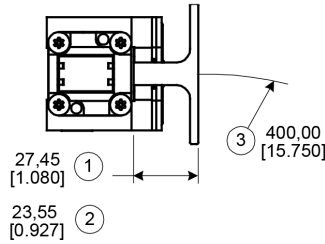


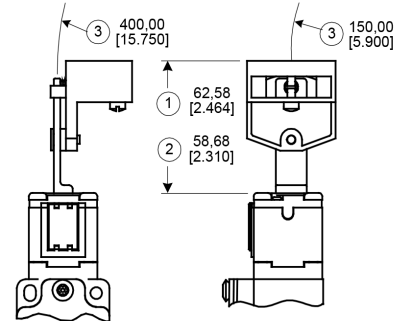
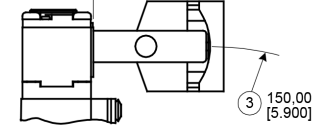
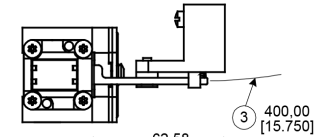
Figure 14. GK Series GKZ58 Key mm [in]



1. Minimum insertion distance
2. Maximum insertion distance
3. Minimum swing radius
4. Swing adjustment screw



1. Minimum insertion distance
2. Maximum insertion distance
3. Minimum swing radius
4. Swing adjustment screw



1. Minimum insertion distance
2. Maximum insertion distance
3. Minimum swing radius
4. Swing adjustment screw

MICRO SWITCH™ Key-Operated Safety Interlock Switch, GK Series

Figure 15. GK Series GKZ59 Key mm [in]

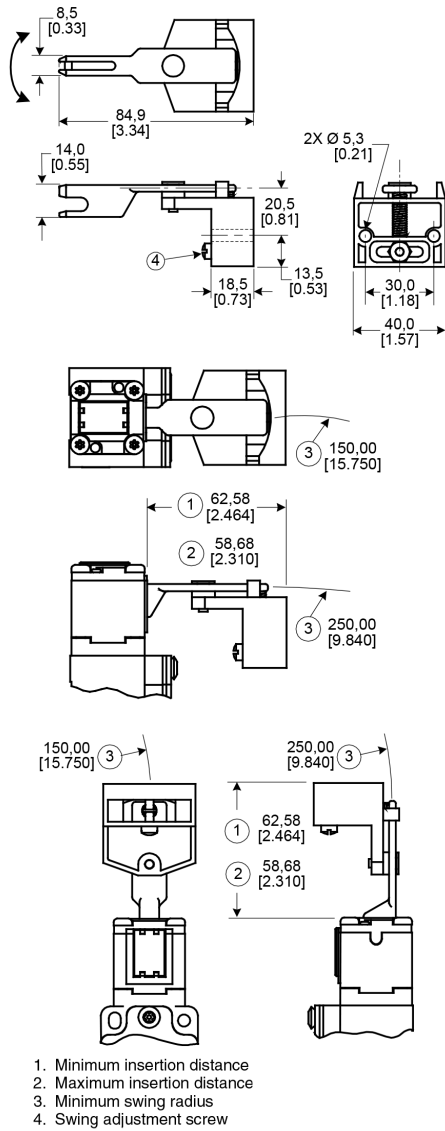


Figure 16. GK Series GKZL2 Lock-out Device mm [in]

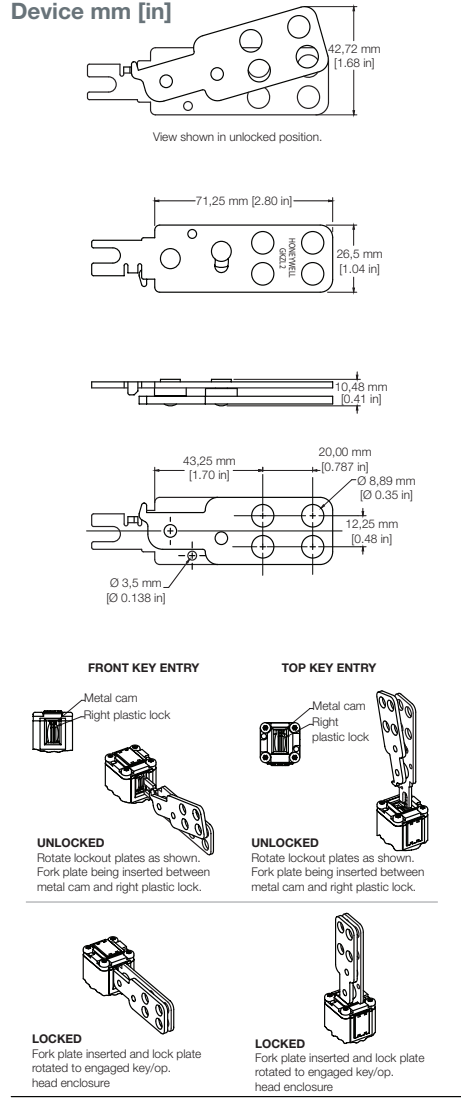
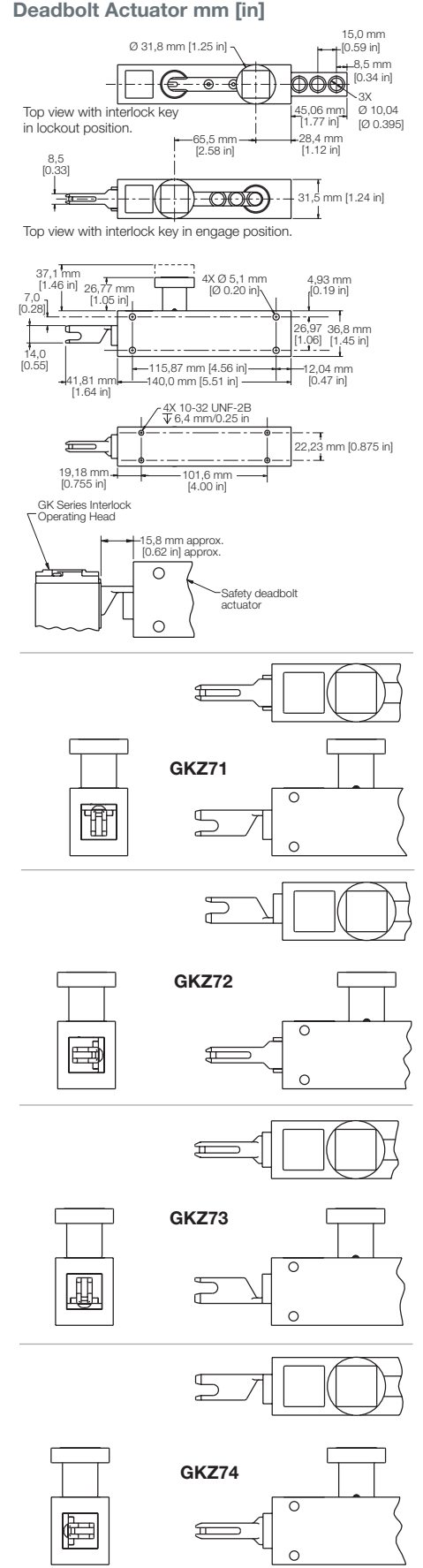


Figure 17. GK Series GKZ7 Safety Deadbolt Actuator mm [in]



MICRO SWITCH™ Key-Operated Safety Interlock Switch, GK Series

Table 4. Keys and Accessories

| | Catalog Listing | Description |
|---|------------------|--|
|  | GKZ56 | Straight key |
|  | GKZ57 | 90° key |
|  | GKZ58 | Spring loaded up/down |
|  | GKZ59 | Spring loaded side-to-side |
|  | GKZL2 | Lockout device |
|  | GKZ71 | Safety deadbolt actuator with key [0° ref.] |
| | GKZ72 | Safety deadbolt actuator with key [90° ref.] |
| | GKZ73 | Safety deadbolt actuator with key [180 ° ref.] |
| | GKZ74 | Safety deadbolt actuator with key [270° ref.] |
|  | GKZT15BIT | Torx T-15 security bit for cover screws |

ADDITIONAL MATERIALS

The following associated literature is available on the Honeywell web site at sensing.honeywell.com:

- Product installation instructions
- Product range guide
- Product line guide

Find out more

Honeywell serves its customers through a worldwide network of sales offices, representatives and distributors. For application assistance, current specifications, pricing or name of the nearest Authorized Distributor, contact your local sales office. To learn more about Honeywell's sensing and switching products, call **+1-815-235-6847** or **1-800-537-6945**, visit **sensing.honeywell.com**, or e-mail inquiries to **info.sc@honeywell.com**

Honeywell Sensing and Productivity Solutions

9680 Old Bailes Road
Fort Mill, SC 29707
honeywell.com

WARNING **RISK TO LIFE OR PROPERTY**

Never use this product for an application involving serious risk to life or property without ensuring that the system as a whole has been designed to address the risks, and that this product is properly rated and installed for the intended use within the overall system.

Failure to comply with these instructions could result in death or serious injury.

WARNING **MISUSE OF DOCUMENTATION**

- The information presented in this product sheet is for reference only. Do not use this document as a product installation guide.
- Complete installation, operation, and maintenance information is provided in the instructions supplied with each product.

Failure to comply with these instructions could result in death or serious injury.

Warranty/Remedy

Honeywell warrants goods of its manufacture as being free of defective materials and faulty workmanship. Honeywell's standard product warranty applies unless agreed to otherwise by Honeywell in writing; please refer to your order acknowledgement or consult your local sales office for specific warranty details. If warranted goods are returned to Honeywell during the period of coverage, Honeywell will repair or replace, at its option, without charge those items it finds defective. **The foregoing is buyer's sole remedy and is in lieu of all other warranties, expressed or implied, including those of merchantability and fitness for a particular purpose. In no event shall Honeywell be liable for consequential, special, or indirect damages.**

While we provide application assistance personally, through our literature and the Honeywell web site, it is up to the customer to determine the suitability of the product in the application.

Specifications may change without notice. The information we supply is believed to be accurate and reliable as of this printing. However, we assume no responsibility for its use.

Honeywell



Компания «ЭлектроПласт» предлагает заключение долгосрочных отношений при поставках импортных электронных компонентов на взаимовыгодных условиях!

Наши преимущества:

- Оперативные поставки широкого спектра электронных компонентов отечественного и импортного производства напрямую от производителей и с крупнейших мировых складов;
- Поставка более 17-ти миллионов наименований электронных компонентов;
- Поставка сложных, дефицитных, либо снятых с производства позиций;
- Оперативные сроки поставки под заказ (от 5 рабочих дней);
- Экспресс доставка в любую точку России;
- Техническая поддержка проекта, помощь в подборе аналогов, поставка прототипов;
- Система менеджмента качества сертифицирована по Международному стандарту ISO 9001;
- Лицензия ФСБ на осуществление работ с использованием сведений, составляющих государственную тайну;
- Поставка специализированных компонентов (Xilinx, Altera, Analog Devices, Intersil, Interpoint, Microsemi, Aeroflex, Peregrine, Syfer, Eurofarad, Texas Instrument, Miteq, Cobham, E2V, MA-COM, Hittite, Mini-Circuits, General Dynamics и др.);

Помимо этого, одним из направлений компании «ЭлектроПласт» является направление «Источники питания». Мы предлагаем Вам помощь Конструкторского отдела:

- Подбор оптимального решения, техническое обоснование при выборе компонента;
- Подбор аналогов;
- Консультации по применению компонента;
- Поставка образцов и прототипов;
- Техническая поддержка проекта;
- Защита от снятия компонента с производства.



Как с нами связаться

Телефон: 8 (812) 309 58 32 (многоканальный)

Факс: 8 (812) 320-02-42

Электронная почта: org@eplast1.ru

Адрес: 198099, г. Санкт-Петербург, ул. Калинина, дом 2, корпус 4, литера А.