

TCF4
2.0 x 2.5 x 1.0 mm
LCC Ceramic Package

Features

- Pletronics' TCF4 Series Temperature Compensated Crystal Oscillator
- Optional Voltage Control Function
- Clipped Sine Wave Output
- 1.8V to 3.3V nominal Supply Voltage
- 10 - 40 MHz Frequency

Applications

GPS
WiMAX, Wi-Fi, Wi-LAN
Handsets
Broadband Access
Point to point radios
Seismic Exploration
Wireless Communications
Base Stations
Test Equipment

Electrical Characteristics

| Parameter | Min | Typ | Max | Unit | Condition (Consult factory for other options) |
|--|--------------------------------------|------------------------------|--------------|--------|---|
| Frequency Range ² | 10 | - | 40 | MHz | Specified by part number |
| Frequency Stability vs. Temperature ² | ±0.5 | - | ±2.5 | ppm | Specified by part number $(f_{max} - f_{min}) / 2$ |
| Frequency Initial Calibration | - | - | ±2.0 | ppm | Vcontrol 1.50 volts at 25°C ± 2°C when V _{CC} ≥ 2.5 volts Vcontrol 0.9 volts at 25°C ± 2°C when V _{CC} ≤ 2.4 volts If Vcontrol used |
| Operating Temperature Range ² | -40 | - | +85 | °C | Specified by part number, Consult factory for wider range |
| Supply Voltage ^{1,2} V _{CC} | 1.8 | - | 3.3 | Volts | ± 5%, Specified by part number |
| Supply Current I _{CC} | - | 2.0 | 3.0 | mA | Load: 10 Kohm 10 pF, V _{CC} ± 5% |
| Frequency Stability vs. Supply | - | - | ±0.2 | ppm | Load: 10 Kohm 10 pF, V _{CC} ± 5% |
| Frequency Stability vs. Load | - | - | ±0.2 | ppm | Load: 10 Kohm 10 pF ± 5% |
| Vcontrol Range | 0.50 0.30 | 1.50 0.90 | 2.50 1.50 | Volts | 1.50 volts nominal for V _{CC} nominal ≥ 2.5 volts 0.9 volts nominal for V _{CC} nominal ≤ 2.4 volts |
| Frequency Pullability ² | 0 | ±8.0 | ±12.0 | ppm | Specified by part number, Positive Slope |
| Output Waveform | Clipped Sine Wave | | | | DC Coupled |
| Output Level | 0.8 | - | - | V p-p | Load: 10 Kohm 10 pF ± 10% |
| Startup Time | - | - | 10.0 | mS | Within ± 2.0 ppm of final frequency |
| Long Term Stability (Aging) | - | - | ±1.0 | ppm | Per year at 25°C ± 2°C |
| Phase Noise | 100 Hz 1 kHz 10 kHz 100 kHz | -110 -130 -145 -145 | - | dBc/Hz | 25°C ± 2°C at 26.0 MHz |
| Storage Temperature Range | -55 | - | +95 | °C | |

Notes:

¹ Place an appropriate power supply bypass capacitor next to device for correct operation

² Specified by part number

Part Number

| Series Model | V _{CC} Supply Voltage ¹ | | Operating Temperature | | Stability ^{1,2} | Pullability ¹ | Frequency |
|--------------|--|--|---|--|--|---|----------------|
| | Lowest | Highest | Lowest | Highest | (ppm) | (ppm) | (MHz) |
| TCF4 | 031 | 035 | C | G | 015 | 008 | -19.44M |
| | 031 = 3.1 for 3.3 volts nominal 029 = 2.9 for 3.0 volts nominal 027 = 2.7 for 2.8 volts nominal 024 = 2.4 for 2.5 volts nominal 017 = 1.7 for 1.8 volts nominal | 035 = 3.5 for 3.3 volts nominal 031 = 3.1 for 3.0 volts nominal 029 = 2.9 for 2.8 volts nominal 026 = 2.6 for 2.5 volts nominal 019 = 1.9 for 1.8 volts nominal | A = +10°C B = +5°C C = +0°C D = -5°C E = -10°C F = -15°C G = -20°C H = -25°C J = -30°C K = -35°C L = -40°C | A = +40°C B = +45°C C = +50°C D = +55°C E = +60°C F = +65°C G = +70°C H = +75°C J = +80°C K = +85°C | 005 = ± 0.5 010 = ± 1.0 015 = ± 1.5 020 = ± 2.0 025 = ± 2.5 | 000 = TCXO 005 = ± 5 008 = ± 8 | 10 - 40 MHz |

¹ Contact Factory for non-standard specifications

² Not all stabilities are available with all operating temperature ranges. Contact Factory for exact combinations available.

Device Marking

| | |
|------------------|--|
| PFFFF | P = Pletronics |
| • YMDXXXX | FFF F = Frequency in MHz |
| | YMD = Date Code (Year Month Day) See below for YMD codes |
| | All other marking is internal codes |

Note: Specifications such as frequency stability, supply voltage and operating temperature range, etc. are not identified from marking. External packaging labels and packing list will correctly identify the ordered Pletronics part number.

| Code | 2 | 3 | 4 | 5 | 6 | Code | A | B | C | D | E | F | G | H | J | K | L | M |
|------|------|------|------|------|------|-------|-----|-----|-----|-----|-----|-----|-----|-----|-----|-----|-----|-----|
| Year | 2012 | 2013 | 2014 | 2015 | 2016 | Month | JAN | FEB | MAR | APR | MAY | JUN | JUL | AUG | SEP | OCT | NOV | DEC |





| Code | 1 | 2 | 3 | 4 | 5 | 6 | 7 | 8 | 9 | A | B | C | D | E | F | G | H | J | K | L | M | N | P | R | T | U | V | W | X | Y | Z |
|------|---|---|---|---|---|---|---|---|---|----|----|----|----|----|----|----|----|----|----|----|----|----|----|----|----|----|----|----|----|----|----|
| Day | 1 | 2 | 3 | 4 | 5 | 6 | 7 | 8 | 9 | 10 | 11 | 12 | 13 | 14 | 15 | 16 | 17 | 18 | 19 | 20 | 21 | 22 | 23 | 24 | 25 | 26 | 27 | 28 | 29 | 30 | 31 |

Package Labeling

Tape and Reel available for quantities of 250 to 1000 per reel, cut tape for < 250. 8mm tape, 4mm pitch.

P/N Label is 1" x 2.6" (25.4mm x 66.7mm)
 Font is Courier New
 Bar code is 39-Full ASCII

RoHS Label is 1" x 2.6" (25.4mm x 66.7mm)
 Font is Arial

| | |
|----------------------|---|
| P/N: |  |
| | TCF4017019JK005000-38.40M |
| Customer P/N: |  |
| | 12345678 |
| Qty: |  |
| | 1000 |
| D/C |  |
| | 0FN-M8U0 |
| MSL: 1 | |

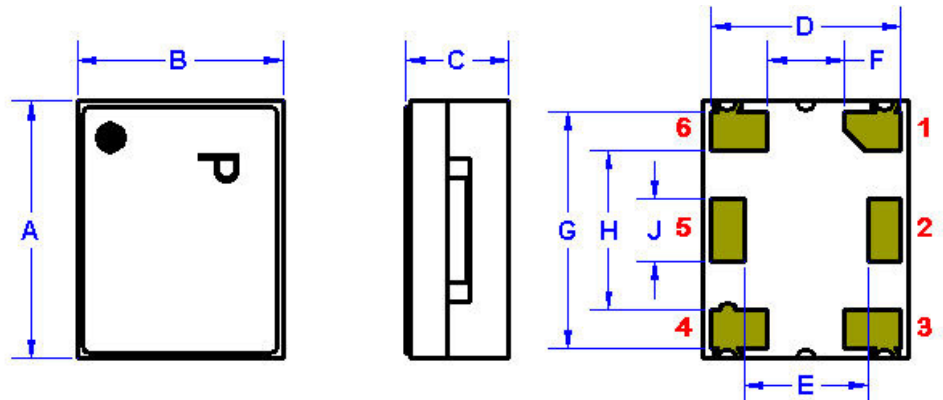
| |
|-----------------------------------|
| RoHS Compliant |
| 2nd LvL Interconnect |
| Category=e4 |
| Max Safe Temp=260C for 10s 2X Max |

Pletronics Inc. certifies this device is in accordance with the RoHS 2 (2011/65/EU) and WEEE (2002/96/EC) directives.

Pletronics Inc. guarantees the device does not contain the following: Cadmium, Hexavalent Chromium, Lead, Mercury, PBB's, PBDE's
 Weight of the Device: 0.02 grams
 Moisture Sensitivity Level: 1 As defined in J-STD-020D
 Second Level Interconnect code: e4

Mechanical Dimensions

| | Inches | mm |
|----------------|---------------|-------------|
| A | 0.098 ± 0.008 | 2.50 ± 0.20 |
| B | 0.079 ± 0.008 | 2.00 ± 0.20 |
| C | 0.039 max | 1.00 max |
| D ¹ | 0.072 | 1.84 |
| E ¹ | 0.047 | 1.20 |
| F ¹ | 0.030 | 0.75 |
| G ¹ | 0.091 | 2.30 |
| H ¹ | 0.061 | 1.55 |
| J ¹ | 0.024 | 0.60 |

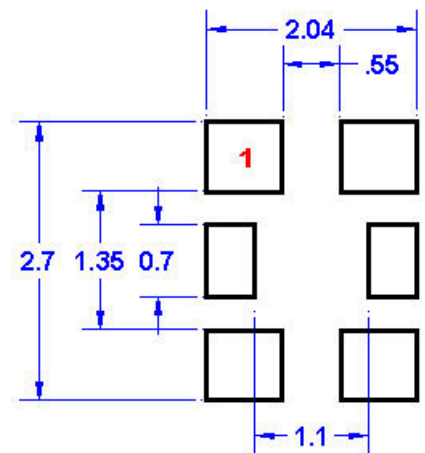


¹ Typical dimensions



Pad Layout mm shown (Top View)

Disclaimer: Recommended layout shown.
Adjust layout as needed for individual
process requirements.



(Not to Scale)

Contacts (pads): Gold 11.8 to 39.4 μmches (0.3 to 1.0 μm) over Nickel 50 to 350 μmches (1.27 to 8.89 μm)

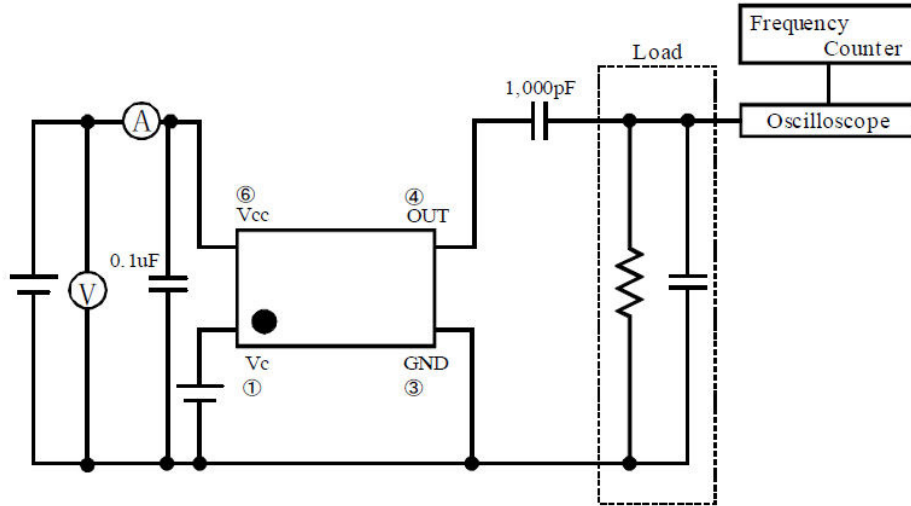
Layout

| Pad | Function | Note |
|-----|--------------------------------|--|
| 1 | Vcontrol Input | If this function is not specified, recommend connecting this pad to ground. |
| 2 | NC | No external connection allowed |
| 3 | Ground (GND) | |
| 4 | Output | The output is DC coupled. Most commonly used with external coupling capacitor. 0.001 to 0.01 μF recommended. |
| 5 | NC | No external connection allowed |
| 6 | V _{CC} Supply Voltage | Connect an appropriate power supply bypass capacitor as close as possible |

For Optimum Jitter Performance, Pletronics recommends:

- A ground plane under the device
- Do not route large transient signals (both current and voltage) under the device
- Do not place near a large magnetic field such as a high frequency switching power supply
- Do not place near piezoelectric buzzers or mechanical fans

Electrical Test / Load Circuit



Environmental / ESD Ratings

Reliability: Environmental Compliance

| Parameter | Condition |
|------------------|--------------------------------------|
| Mechanical Shock | JESD22-B104 |
| Vibration | JESD22-B103 |
| Solderability | IPC J-STD-002 |
| Thermal Shock | MIL-STD-883 Method 1011, Condition A |

ESD Rating

| Model | Min. Voltage | Condition |
|----------------------|--------------|--------------|
| Human Body Model | 2000V | JESD22-A114 |
| Charged Device Model | 500V | JESD 22-C101 |
| Machine Model | 200V | JESD22-A115 |

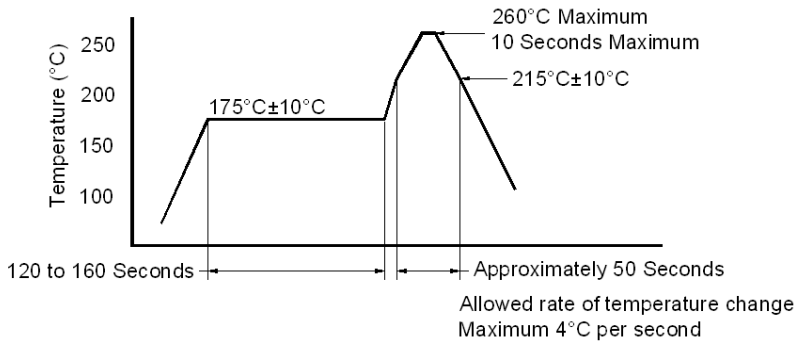
Absolute Maximum Ratings

| Parameter | Unit |
|--------------------------------|---------------------------------|
| V _{CC} Supply Voltage | -0.6V to +4.6V |
| V _i Input Voltage | -0.6V to V _{CC} + 0.6V |
| I _o Output Current | -10mA to +10mA |

Thermal Characteristics:

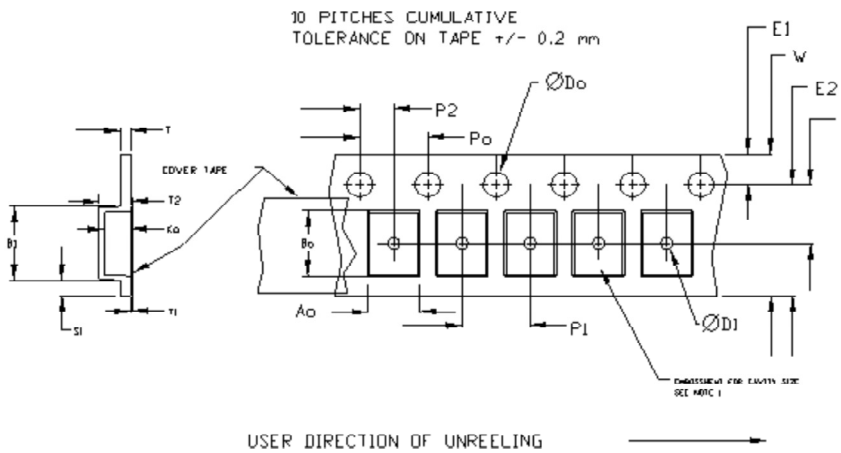
The maximum die or junction temperature is 155°C
The thermal resistance junction to board is 30 to 50°C/Watt depending on the solder pads, ground plane and construction of the PCB.

Reflow Cycle



The part may be reflowed 2 times without degradation (typical for lead free processing).

Tape and Reel



| Tape Size | Do | D1 min | E1 | Po | P2 | S1 min | T max | T1 max |
|-----------|--------------|--------|------|-----|-------|--------|-------|--------|
| 8mm | +0.1 -0.0 | 1.0 | 1.75 | 4.0 | ±0.05 | 0.6 | 0.6 | 0.1 |
| 12mm | | 1.5 | | | | | | |
| 16mm | | 1.5 | ±0.1 | | 2.0 | | | |
| 24mm | | 1.5 | ±0.1 | | | | | |

| Tape Size | B1 max | E2 min | F | P1 | T2 max | W max | Ao, Bo & Ko |
|-----------|--------|--------|------------|-----------|--------|-------|-------------|
| 8mm | 4.2 | 6.25 | 3.5 ± 0.05 | 4.0 ± 0.1 | 2.0 | 8.3 | Note 1 |

Dimensions in mm Drawing Not to scale

Note 1: Embossed cavity to conform to EIA-481-B



| Reel Size | A | | B | | C | D |
|-----------|--------|-------|--------|-------|----------------------|--------------------------------|
| | Inches | mm | Inches | mm | | |
| 7 | 7.0 | 177.8 | 2.50 | 63.5 | 13.0 +0.5 -0.2 | Tape size +0.4 +2.0 -0.0 |
| 10 | 10.0 | 254.0 | 4.00 | 101.6 | | |
| 13 | 13.0 | 330.2 | 3.75 | 95.3 | | |

Important Notice

Pletronics Incorporated (PLE) reserves the right to make corrections, improvements, modifications and other changes to this product at anytime. PLE reserves the right to discontinue any product or service without notice. Customers are responsible for obtaining the latest relevant information before placing orders and should verify that such information is current and complete. All products are sold subject to PLE's terms and conditions of sale supplied at the time of order acknowledgment.

PLE warrants performance of this product to the specifications applicable at the time of sale in accordance with PLE's limited warranty. Testing and other quality control techniques are used to the extent PLE deems necessary to support this warranty. Except where mandated by specific contractual documents, testing of all parameters of each product is not necessarily performed.

PLE assumes no liability for application assistance or customer product design. Customers are responsible for their products and applications using PLE components. To minimize the risks associated with the customer products and applications, customers should provide adequate design and operating safeguards.

PLE products are not designed, intended, authorized or warranted to be suitable for use in life support applications, devices or systems or other critical applications that may involve potential risks of death, personal injury or severe property or environmental damage. Inclusion of PLE products in such applications is understood to be fully at the risk of the customer. Use of PLE products in such applications requires the written approval of an appropriate PLE officer. Questions concerning potential risk applications should be directed to PLE.

PLE does not warrant or represent that any license, either express or implied, is granted under any PLE patent right, copyright, artwork or other intellectual property right relating to any combination, machine or process which PLE product or services are used. Information published by PLE regarding third-party products or services does not constitute a license from PLE to use such products or services or a warranty or endorsement thereof. Use of such information may require a license from a third party under the patents or other intellectual property of the third party, or a license from PLE under the patents or other intellectual property of PLE.

Reproduction of information in PLE data sheets or web site is permissible only if the reproduction is without alteration and is accompanied by associated warranties, conditions, limitations and notices. Reproduction of this information with alteration is an unfair and deceptive business practice. PLE is not responsible or liable for such altered documents.

Resale of PLE products or services with statements different from or beyond the parameters stated by PLE for that product or service voids all express and implied warranties for the associated PLE product or service and is an unfair or deceptive business practice. PLE is not responsible for any such statements.

Contacting Pletronics Inc.

Pletronics, Inc.
19013 36th Ave. West
Lynnwood, WA 98036-5761
U.S.A.

Tel: 425.776.1880
Fax: 425.776.2760
email: ple-sales@pletronics.com

URL: www.pletronics.com



Компания «ЭлектроПласт» предлагает заключение долгосрочных отношений при поставках импортных электронных компонентов на взаимовыгодных условиях!

Наши преимущества:

- Оперативные поставки широкого спектра электронных компонентов отечественного и импортного производства напрямую от производителей и с крупнейших мировых складов;
- Поставка более 17-ти миллионов наименований электронных компонентов;
- Поставка сложных, дефицитных, либо снятых с производства позиций;
- Оперативные сроки поставки под заказ (от 5 рабочих дней);
- Экспресс доставка в любую точку России;
- Техническая поддержка проекта, помощь в подборе аналогов, поставка прототипов;
- Система менеджмента качества сертифицирована по Международному стандарту ISO 9001;
- Лицензия ФСБ на осуществление работ с использованием сведений, составляющих государственную тайну;
- Поставка специализированных компонентов (Xilinx, Altera, Analog Devices, Intersil, Interpoint, Microsemi, Aeroflex, Peregrine, Syfer, Eurofarad, Texas Instrument, Miteq, Cobham, E2V, MA-COM, Hittite, Mini-Circuits, General Dynamics и др.);

Помимо этого, одним из направлений компании «ЭлектроПласт» является направление «Источники питания». Мы предлагаем Вам помощь Конструкторского отдела:

- Подбор оптимального решения, техническое обоснование при выборе компонента;
- Подбор аналогов;
- Консультации по применению компонента;
- Поставка образцов и прототипов;
- Техническая поддержка проекта;
- Защита от снятия компонента с производства.



Как с нами связаться

Телефон: 8 (812) 309 58 32 (многоканальный)

Факс: 8 (812) 320-02-42

Электронная почта: org@eplast1.ru

Адрес: 198099, г. Санкт-Петербург, ул. Калинина, дом 2, корпус 4, литера А.