


## DESCRIPTION

Demonstration circuit 873 features the LTC1867L Octal 16-bit ADC. The LTC1867L can be software programmed for a unipolar 0 to 2.5V or bipolar +/-1.25V input range. The 8 channel multiplexer can be programmed for 8 single-ended inputs with respect to ground, 7 single-ended inputs with respect to the COM/CH7 pin, 4 differential inputs, or any combination of these.

The LTC1867L's DC performance is outstanding with a +/-3LSB INL specification and no missing codes over temperature. The signal-to-noise ratio (SNR) for the LTC1867 is typically 83.3dB. Housed in a compact, narrow 16-pin SSOP package, the LTC1867L is ideal for space-sensitive and low-power applications.

**Design files for this circuit board are available. Call the LTC factory.**

 , LTC and LT are registered trademarks of Linear Technology Corporation.

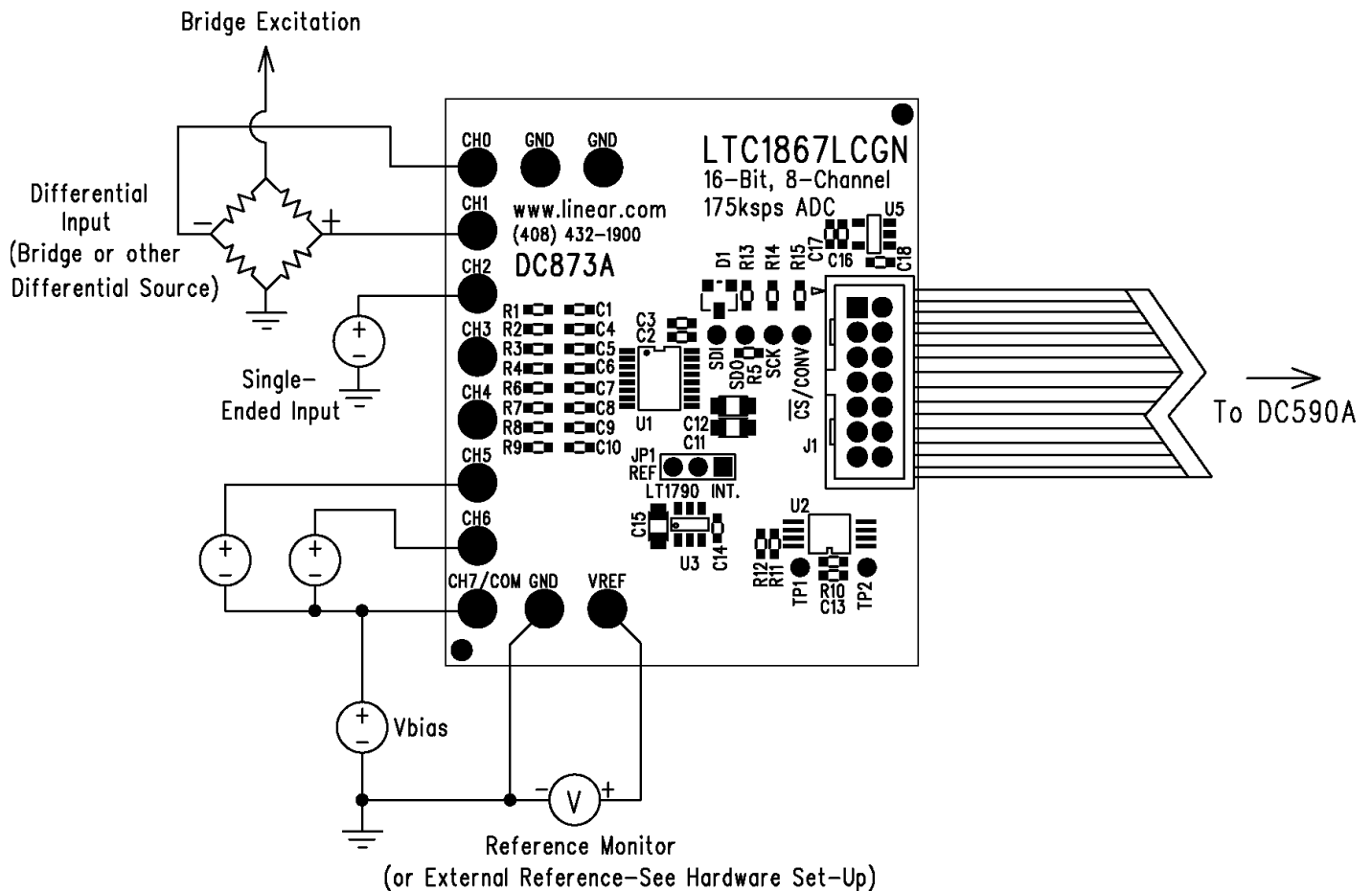


Figure 1. Connection Diagram

### QUICK START PROCEDURE

Connect DC873 to a DC590 USB serial controller using the supplied 14-conductor ribbon cable. Connect DC590 to a host PC with a standard USB A/B cable. Run the evaluation software supplied with DC590 or download it from [www.linear.com](http://www.linear.com). The correct control panel will be loaded automatically. Click the COLLECT button to begin reading the ADC.

Change the channel and range by right-clicking over the channel or range indicator in the display.

Complete software documentation is available from the Help menu item, as features may be added periodically.

Figure 2. Software Screenshot



## HARDWARE SET-UP

### JUMPERS

**JP1** – Select reference, either internal or the on-board LT1790-1.25 reference.

### ANALOG CONNECTIONS (TURRET POSTS)

**GND** (3X) – Ground plane connections. DC873 can also be grounded to an application circuit by the exposed ground planes at the edges of the board.

**CH0 – CH7/COM** – Analog inputs to LTC1867L. Each input has a 50 Ohm / 1000pF filter to reduce wideband noise pickup.

**VREF** – Reference pin on LTC1867L. When JP1 is set to INT, the LTC1867L uses its internal reference, or an external reference can be connected to this

pin, overdriving the internal reference. When JP1 is set to LT1790, this turret should only be used for monitoring the reference voltage.

### POWER / DIGITAL CONNECTIONS

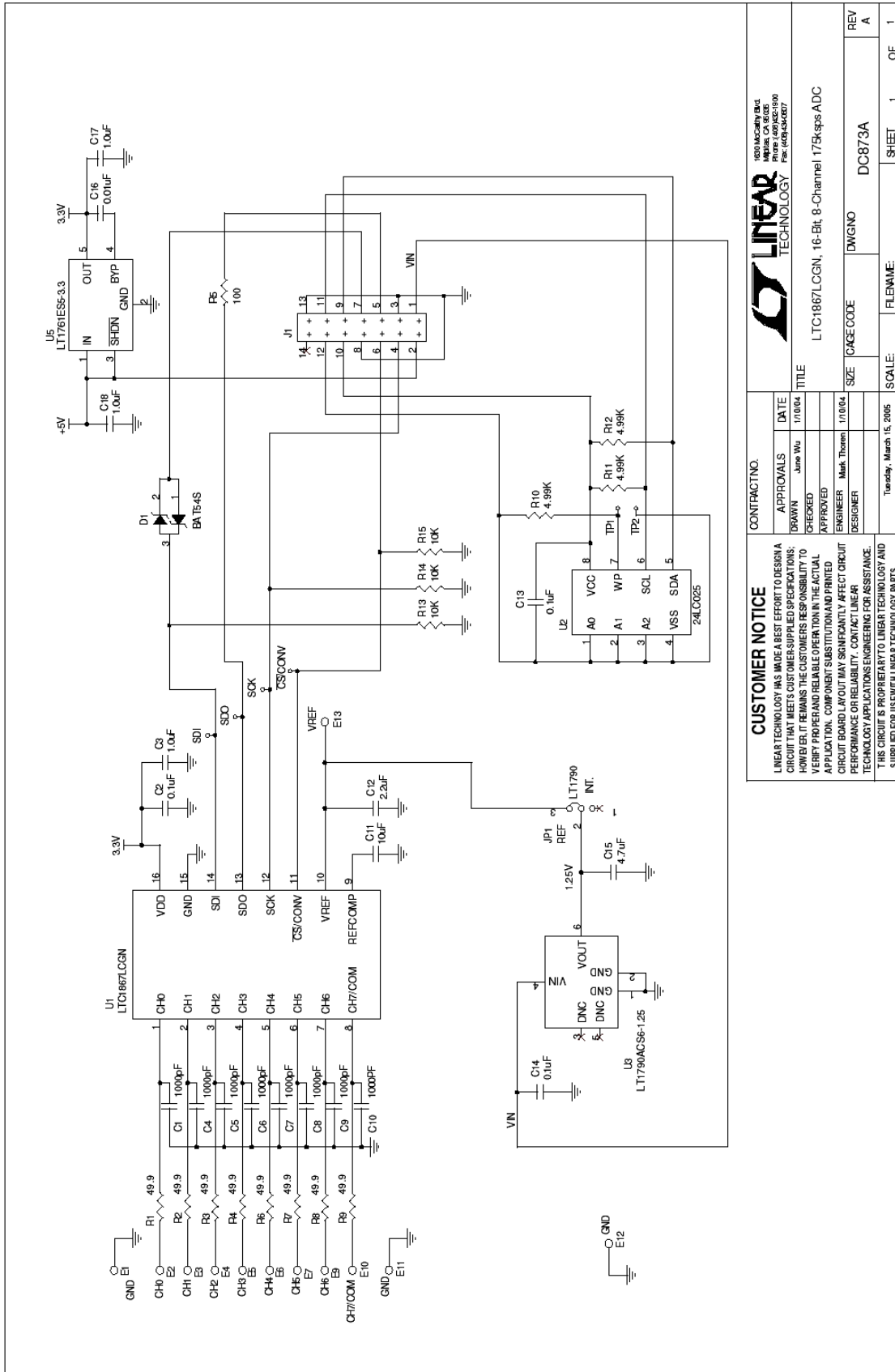
DC873 does not require any external power source when used with the DC590 USB controller board.

D1 on the SDI line is for compatibility with the DC590 logic levels. It is not required for normal use, but will not affect operation when 3.3V logic is used through J1.

The onboard 3.3V regulator has reverse current protection, so 3.3V may be applied to the Vcc turret when not using a DC590 controller provided that no power is applied to pin 2 of J1.

# QUICK START GUIDE FOR DEMONSTRATION CIRCUIT 873

## OCTAL 16-BIT 175KSPS ADC



CONTRACT NO.		DATE	
APPROVALS	DATE	1/10/04	
DRAWN	June Wu		
CHECKED			
APPROVED			
ENGINEER	Mark Thomas	1/10/04	
DESIGNER			

<b>CUSTOMER NOTICE</b>	
LINEAR TECHNOLOGY HAS MADE A BEST EFFORT TO DESIGN A CIRCUIT THAT MEETS CUSTOMER SUPPLIED SPECIFICATIONS. HOWEVER, IT REMAINS THE CUSTOMER'S RESPONSIBILITY TO VERIFY PROPER AND RELIABLE OPERATION IN THE ACTUAL APPLICATION. COMPONENT SUBSTITUTION AND PRINTED CIRCUIT BOARD LAYOUT MAY SIGNIFICANTLY AFFECT CIRCUIT PERFORMANCE OR RELIABILITY. CONTACT LINEAR TECHNOLOGY APPLICATIONS ENGINEERING FOR ASSISTANCE. THIS CIRCUIT IS PROPRIETARY TO LINEAR TECHNOLOGY AND SUPPLIED FOR USE WITH LINEAR TECHNOLOGY PARTS.	

LTC1867L CGN, 16-Bit, 8-Channel 175kSPS ADC	
SIZE	DWGNO
CAGE CODE	DC873A
SCALE:	FLEMME:
Tuesday, March 15, 2006	

REV	A
SHEET	1 OF 1



Компания «ЭлектроПласт» предлагает заключение долгосрочных отношений при поставках импортных электронных компонентов на взаимовыгодных условиях!

Наши преимущества:

- Оперативные поставки широкого спектра электронных компонентов отечественного и импортного производства напрямую от производителей и с крупнейших мировых складов;
- Поставка более 17-ти миллионов наименований электронных компонентов;
- Поставка сложных, дефицитных, либо снятых с производства позиций;
- Оперативные сроки поставки под заказ (от 5 рабочих дней);
- Экспресс доставка в любую точку России;
- Техническая поддержка проекта, помощь в подборе аналогов, поставка прототипов;
- Система менеджмента качества сертифицирована по Международному стандарту ISO 9001;
- Лицензия ФСБ на осуществление работ с использованием сведений, составляющих государственную тайну;
- Поставка специализированных компонентов (Xilinx, Altera, Analog Devices, Intersil, Interpoint, Microsemi, Aeroflex, Peregrine, Syfer, Eurofarad, Texas Instrument, Miteq, Cobham, E2V, MA-COM, Hittite, Mini-Circuits, General Dynamics и др.);

Помимо этого, одним из направлений компании «ЭлектроПласт» является направление «Источники питания». Мы предлагаем Вам помощь Конструкторского отдела:

- Подбор оптимального решения, техническое обоснование при выборе компонента;
- Подбор аналогов;
- Консультации по применению компонента;
- Поставка образцов и прототипов;
- Техническая поддержка проекта;
- Защита от снятия компонента с производства.



#### Как с нами связаться

**Телефон:** 8 (812) 309 58 32 (многоканальный)

**Факс:** 8 (812) 320-02-42

**Электронная почта:** [org@eplast1.ru](mailto:org@eplast1.ru)

**Адрес:** 198099, г. Санкт-Петербург, ул. Калинина, дом 2, корпус 4, литера А.