



SMT power inductors

Size 12.5 x 12.5 x 8.5 mm

Series/Type: B82477D4

Ordering code:

Date: June 2013

© EPCOS AG 2015. Reproduction, publication and dissemination of this publication, enclosures hereto and the information contained therein without EPCOS' prior express consent is prohibited.

EPCOS AG is a TDK Group Company.

SMT power inductors

Size 12.5 x 12.5 x 8.5 mm

B82477D4

Rated inductance 2 ... 100µH



Construction

- Ferrite core
- Magnetically shielded
- Winding: enamel copper wire
- Winding soldered to terminals
- Special winding technology for low stray inductance and high coupling factor

Features

- High rated current, low DC resistance
- Temperature range up to +150 °C
- Suitable for lead-free reflow soldering as referenced in JEDEC J-STD 020D
- Qualified to AEC-Q200
- RoHS-compatible
- Coupling factor of typically 99% in average

Applications

- Common mode choke
- DC/DC converters, especially for SEPIC topology
- 1:1 transformer

Terminals

- Base material CuSn6P
- Layer composition Ni, Sn (lead-free)
- Electro-plated

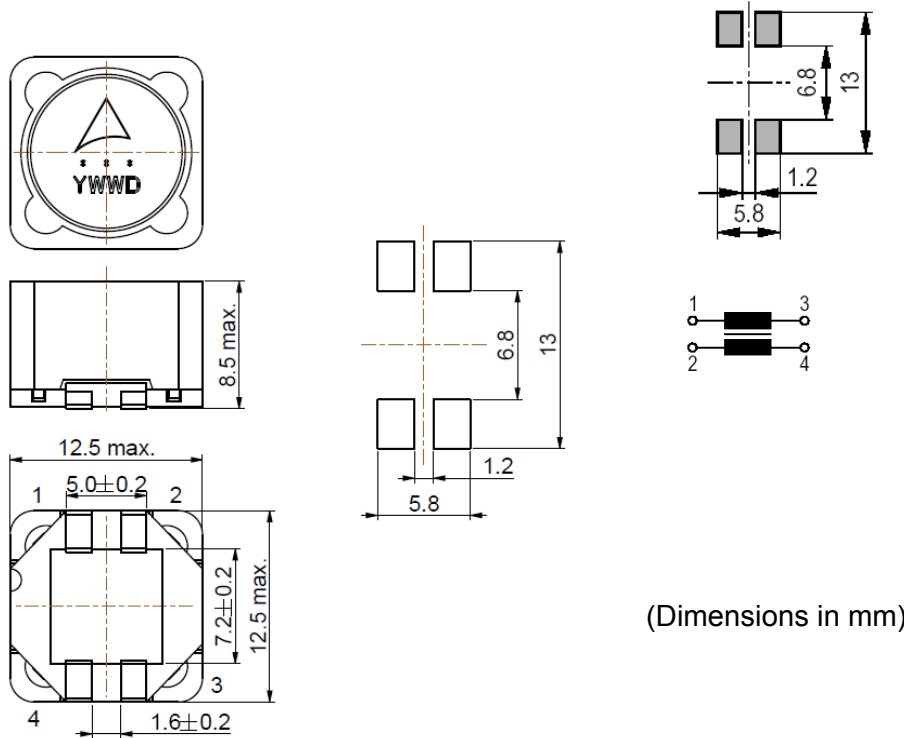
Marking

- Marking on component:
Manufacturer, L value (in µH), Date code
- Minimum data on reel:
Manufacturer, ordering code, L value, quantity, date of packing

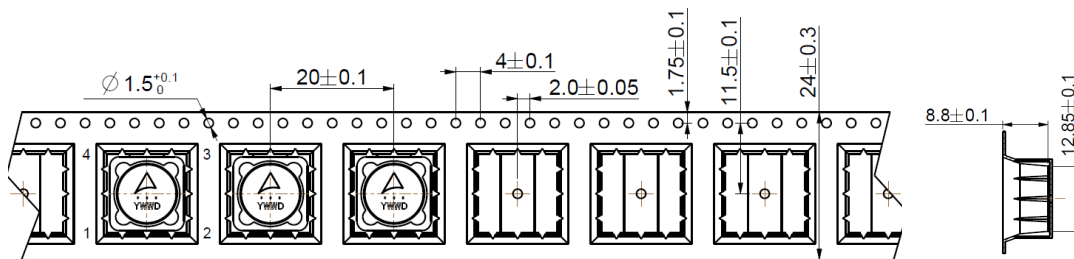
Delivery mode and packing unit

- 24-mm blister tape, wound on 330-mm \varnothing reel
- Packing unit: 350 pcs./reel

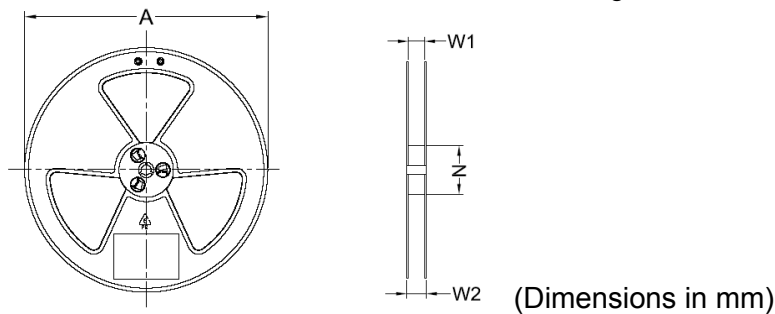
Dimensional drawing and circuit diagram



Taping and packing



Direction of unreeling



A:330±2

N:75±1

W1:24.4 typ

W2:30.4 max

SMT power inductors
Size 12.5 x 12.5 x 8.5 mm
B82477D4
Technical data and measuring conditions

Rated inductance L_1, L_2	Measured with LCR meter Agilent 4284A at frequency f_L , 0.1 V, +20 °C.
Leakage or stray inductance L_s	Test L_{1-3} :(short 2+4) .Measured with LCR meter Agilent 4284A at 100khz, 0.1 V, +20 °C.
Coupling factor K_{typ}	Coupling in between the 2 windings. $k = \sqrt{1 - \frac{L_s}{L_n}}$
Operating temperature range	-55°C to +150 °C
Rated current I_R	Max. permissible DC with temperature increase of ≤ 40 K
Saturation current I_{Sat}	DC with inductance decrease $\Delta L/L_0$ of approx. 10%
DC resistance R_1, R_2 , (max)	Measured at +20 °C
Solderability (lead-free)	Dip and look method Sn95.5Ag3.8Cu0.7: +(245 \pm 5) °C, (3 \pm 0.3) s Wetting of soldering area $\geq 90\%$ (based on IEC 60068-2-58)
Resistance to soldering heat	+260 °C, 40 s (as referenced in JEDEC J-STD-020D)
Climatic category	55/150/56 (to IEC 60068-1)
Storage conditions	Mounted: -55 °C ... +150 °C Packaged: -25 °C ... +40 °C, $\leq 75\%$ RH
Weight	Approx. 4.2 g

Characteristics and ordering codes

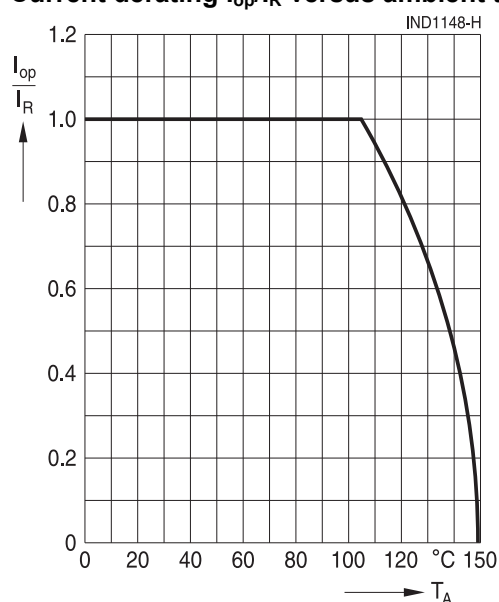
L ₁ , L ₂ μH	L _{s,typ} uH	K _{typ} %	Tolerance	f _L MHz	I _{sat,typ} A	I _{sat,min} A	I _R A	R ₁ , R ₂ /mΩ		Ordering code
								max	typ	
2.0	0.20	94.9	±20% Δ M	0.1	15	13	5.75	20	16.5	B82477D4202M000
3.0	0.25	95.7			12	10.25	5.50	22	18.1	B82477D4302M000
4.7	0.25	97.3			10	8.75	5.00	26	23.2	B82477D4472M000
6.8	0.25	98.1			8.25	7.25	4.15	35	28.5	B82477D4682M000
10	0.25	98.7			6.50	5.75	3.75	42	35.5	B82477D4103M000
15	0.30	99.0			5.50	4.80	3.25	60	52.5	B82477D4153M000
22	0.30	99.3			4.50	4.00	2.80	78	69.5	B82477D4223M000
33	0.35	99.5			3.80	3.30	2.30	110	96.4	B82477D4333M000
47	0.45	99.5			3.30	3.10	1.85	145	115	B82477D4473M000
68	0.50	99.6			2.50	2.30	1.55	215	190	B82477D4683M000
100	0.60	99.7			2.20	2.00	1.35	280	267	B82477D4104M000

Inductance is per winding. When leads are connected in parallel, inductance is the same value. When leads are connected in series, inductance is four times the value.

DCR is for each winding. When leads are connected in parallel, DCR is half the value. When leads are connected in series, DCR is twice the value.

I_{sat} is the current flowing through one winding. When leads are connected in parallel, I_{sat} is the same. When leads are connected in series, I_{sat} is half the value.

I_R is the total current through both windings
 I₁ and I₂ can be calculated like this: $I_1^2 + I_2^2 = I_R^2$

Current derating I_{op}/I_R versus ambient temperature T_A


Cautions and warnings

- Please note the recommendations in our Inductors data book (latest edition) and in the data sheets.
 - Particular attention should be paid to the derating curves given there.
 - The soldering conditions should also be observed. Temperatures quoted in relation to wave soldering refer to the pin, not the housing.
- If the components are to be washed varnished it is necessary to check whether the washing varnish agent that is used has a negative effect on the wire insulation, any plastics that are used, or on glued joints. In particular, it is possible for washing varnish agent residues to have a negative effect in the long-term on wire insulation.
- The following points must be observed if the components are potted in customer applications:
 - Many potting materials shrink as they harden. They therefore exert a pressure on the plastic housing or core. This pressure can have a deleterious effect on electrical properties, and in extreme cases can damage the core or plastic housing mechanically.
 - It is necessary to check whether the potting material used attacks or destroys the wire insulation, plastics or glue.
 - The effect of the potting material can change the high-frequency behaviour of the components.
- Ferrites are sensitive to direct impact. This can cause the core material to flake, or lead to breakage of the core.
- Even for customer-specific products, conclusive validation of the component in the circuit can only be carried out by the customer.

Important notes

The following applies to all products named in this publication:

1. Some parts of this publication contain **statements about the suitability of our products for certain areas of application**. These statements are based on our knowledge of typical requirements that are often placed on our products in the areas of application concerned. We nevertheless expressly point out **that such statements cannot be regarded as binding statements about the suitability of our products for a particular customer application**. As a rule we are either unfamiliar with individual customer applications or less familiar with them than the customers themselves. For these reasons, it is always ultimately incumbent on the customer to check and decide whether a product with the properties described in the product specification is suitable for use in a particular customer application.
2. We also point out that **in individual cases, a malfunction of electronic components or failure before the end of their usual service life cannot be completely ruled out in the current state of the art, even if they are operated as specified**. In customer applications requiring a very high level of operational safety and especially in customer applications in which the malfunction or failure of an electronic component could endanger human life or health (e.g. in accident prevention or life-saving systems), it must therefore be ensured by means of suitable design of the customer application or other action taken by the customer (e.g. installation of protective circuitry or redundancy) that no injury or damage is sustained by third parties in the event of malfunction or failure of an electronic component.
3. **The warnings, cautions and product-specific notes must be observed.**
4. In order to satisfy certain technical requirements, **some of the products described in this publication may contain substances subject to restrictions in certain jurisdictions (e.g. because they are classed as hazardous)**. Useful information on this will be found in our Material Data Sheets on the Internet (www.tdk-electronics.tdk.com/material). Should you have any more detailed questions, please contact our sales offices.
5. We constantly strive to improve our products. Consequently, **the products described in this publication may change from time to time**. The same is true of the corresponding product specifications. Please check therefore to what extent product descriptions and specifications contained in this publication are still applicable before or when you place an order.

We also **reserve the right to discontinue production and delivery of products**. Consequently, we cannot guarantee that all products named in this publication will always be available. The aforementioned does not apply in the case of individual agreements deviating from the foregoing for customer-specific products.
6. Unless otherwise agreed in individual contracts, **all orders are subject to our General Terms and Conditions of Supply**.
7. **Our manufacturing sites serving the automotive business apply the IATF 16949 standard**. The IATF certifications confirm our compliance with requirements regarding the quality management system in the automotive industry. Referring to customer requirements and customer specific requirements ("CSR") TDK always has and will continue to have the policy of respecting individual agreements. Even if IATF 16949 may appear to support the acceptance of unilateral requirements, we hereby like to emphasize that **only requirements mutually agreed upon can and will be implemented in our Quality Management System**. For clarification purposes we like to point out that obligations from IATF 16949 shall only become legally binding if individually agreed upon.
8. The trade names EPCOS, CeraCharge, CeraDiode, CeraLink, CeraPad, CeraPlas, CSMP, CTVS, DeltaCap, DigiSiMic, ExoCore, FilterCap, FormFit, LeaXield, MiniBlue, MiniCell, MKD, MKK, MotorCap, PCC, PhaseCap, PhaseCube, PhaseMod, PhiCap, PowerHap, PQSine, PQvar, SIFERRIT, SIFI, SIKOREL, SilverCap, SIMDAD, SiMic, SIMID, SineFormer, SIOV, ThermoFuse, WindCap are **trademarks registered or pending** in Europe and in other countries. Further information will be found on the Internet at www.tdk-electronics.tdk.com/trademarks.

Release 2018-10

Mouser Electronics

Authorized Distributor

Click to View Pricing, Inventory, Delivery & Lifecycle Information:

[EPCOS / TDK:](#)

[B82477D4153M000](#) [B82477D4223M000](#) [B82477D4473M000](#) [B82477D4104M000](#) [B82477D4103M000](#)
[B82477D4302M000](#) [B82477D4333M000](#) [B82477D4682M000](#) [B82477D4472M000](#) [B82477D4202M000](#)
[B82477D4683M000](#)



Компания «ЭлектроПласт» предлагает заключение долгосрочных отношений при поставках импортных электронных компонентов на взаимовыгодных условиях!

Наши преимущества:

- Оперативные поставки широкого спектра электронных компонентов отечественного и импортного производства напрямую от производителей и с крупнейших мировых складов;
- Поставка более 17-ти миллионов наименований электронных компонентов;
- Поставка сложных, дефицитных, либо снятых с производства позиций;
- Оперативные сроки поставки под заказ (от 5 рабочих дней);
- Экспресс доставка в любую точку России;
- Техническая поддержка проекта, помощь в подборе аналогов, поставка прототипов;
- Система менеджмента качества сертифицирована по Международному стандарту ISO 9001;
- Лицензия ФСБ на осуществление работ с использованием сведений, составляющих государственную тайну;
- Поставка специализированных компонентов (Xilinx, Altera, Analog Devices, Intersil, Interpoint, Microsemi, Aeroflex, Peregrine, Syfer, Eurofarad, Texas Instrument, Miteq, Cobham, E2V, MA-COM, Hittite, Mini-Circuits, General Dynamics и др.);

Помимо этого, одним из направлений компании «ЭлектроПласт» является направление «Источники питания». Мы предлагаем Вам помощь Конструкторского отдела:

- Подбор оптимального решения, техническое обоснование при выборе компонента;
- Подбор аналогов;
- Консультации по применению компонента;
- Поставка образцов и прототипов;
- Техническая поддержка проекта;
- Защита от снятия компонента с производства.



Как с нами связаться

Телефон: 8 (812) 309 58 32 (многоканальный)

Факс: 8 (812) 320-02-42

Электронная почта: org@eplast1.ru

Адрес: 198099, г. Санкт-Петербург, ул. Калинина, дом 2, корпус 4, литера А.