

New Super MK Relays. Models with Latching Lever Added to the Series.



- Same mounting and internal wiring as the previous Super MK Relays
- Built-in mechanical indicator enables checking contact operation.
- Two modes can be used to check circuits for models with latching lever.
- Nameplate provided on models with latching lever.
- All materials are RoHS compliant.
- UL and IEC (TÜV) certification.



Features

Models with Latching Lever



* The operation indicator is built in only on specified models.

Example of Applications of Models with Latching Levers

Operation checks in relay sequence circuits

Operating Method for Latching Lever



Model Number Structure

Model Number Legend

MKS□□□□□-□-□
1 2 3 4 5 6 7

1. Contact Form

- 2: DPDT
- 3: 3PDT

2. Terminals

P: Plug-in

3. Mechanical Indicator/Test Button

- Blank: Mechanical indicator
- I: Mechanical indicator and lockable test button

4. LED Indicator

- Blank: Standard
- N: LED indicator

5. Coil Polarity

- Blank: Standard
- 1: Reverse polarity (DC coil only)

6. Surge Absorption

- Blank: Standard
- D: Surge absorber diode (DC coil only)
- V: Surge absorber varistor (AC coil only)

7. Internal Connections

- Blank: Standard
- 2 or 5: Non-standard connections (Refer to "Terminal Arrangement and Internal Connection (Bottom View)".)

8. Rated Voltage

(Refer to "Coil Ratings".)

Ordering Information

List of Models

| Type | Terminals | Contact form | Internal connections (See note 3.) | With mechanical indicator | With mechanical indicator and lockable test button | Coil ratings |
|---|---------------------------------|--------------|------------------------------------|---------------------------|--|--------------|
| Standard Models | Plug-in | DPDT | Standard | MKS2P | MKS2PI | AC/DC |
| | | | Non-standard | MKS2P-2 | MKS2PI-2 | |
| | | 3PDT | Standard | MKS3P | MKS3PI | |
| | | | Non-Standard | MKS3P-2 | MKS3PI-2 | |
| MKS3P-5 | | MKS3PI-5 | | | | |
| Models with LED Indicator (See note 2.) | | DPDT | Standard | MKS2PN(1) | MKS2PIN(1) | AC/DC |
| | | | Non-standard | MKS2PN(1)-2 | MKS2PIN(1)-2 | |
| | | 3PDT | Standard | MKS3PN(1) | MKS3PIN(1) | |
| | Non-Standard | | MKS3PN(1)-2 | MKS3PIN(1)-2 | | |
| | | MKS3PN(1)-5 | MKS3PIN(1)-5 | | | |
| | Models with Diode (See note 2.) | DPDT | Standard | MKS2P(1)-D | MKS2PI(1)-D | |
| Non-standard | | | MKS2P(1)-D-2 | MKS2PI(1)-D-2 | | |
| 3PDT | | Standard | MKS3P(1)-D | MKS3PI(1)-D | | |
| | | Non-Standard | MKS3P(1)-D-2 | MKS3PI(1)-D-2 | | |
| MKS3P(1)-D-5 | | | MKS3PI(1)-D-5 | | | |
| Models with LED Indicator and Diode | | DPDT | Standard | MKS2PN-D | MKS2PIN-D | DC |
| | Non-standard | | MKS2PN-D-2 | MKS2PIN-D-2 | | |
| | 3PDT | Standard | MKS3PN-D | MKS3PIN-D | | |
| | | Non-Standard | MKS3PN-D-2 | MKS3PIN-D-2 | | |
| | MKS3PN-D-5 | | MKS3PIN-D-5 | | | |
| | Models with Varistor | DPDT | Standard | MKS2P-V | MKS2PI-V | |
| Non-standard | | | MKS2P-V-2 | MKS2PI-V-2 | | |
| 3PDT | | Standard | MKS3P-V | MKS3PI-V | | |
| | | Non-Standard | MKS3P-V-2 | MKS3PI-V-2 | | |
| MKS3P-V-5 | | | MKS3PI-V-5 | | | |
| Models with LED Indicator and Varistor | | DPDT | Standard | MKS2PN-V | MKS2PIN-V | AC |
| | Non-standard | | MKS2PN-V-2 | MKS2PIN-V-2 | | |
| | 3PDT | Standard | MKS3PN-V | MKS3PIN-V | | |
| | | Non-Standard | MKS3PN-V-2 | MKS3PIN-V-2 | | |
| | MKS3PN-V-5 | | MKS3PIN-V-5 | | | |

Note: 1. When ordering, add the rated voltage to the model number. Rated voltages are given in the coil ratings table in the specifications.

Example: MKS3P 24 VDC

Rated voltage

2. The DC coil comes in two types: standard coil polarity and reverse coil polarity.

Refer to *Terminal Arrangement and Internal Connections (Bottom View)*.

Example: MKS2PIN1-2 24 VDC

Reverse coil polarity

3. Refer to *Terminal Arrangement and Internal Connections (Bottom View)* for non-standard internal connections.

List of Models (Order Separately)

| Item | Type | Model |
|--|--------|----------|
| Track-mounted Socket | 8-pin | PF083A-E |
| | 11-pin | PF113A-E |
| | 8-pin | PF083A-D |
| | 11-pin | PF113A-D |
| Hold-down Clip (For PF083A-E and PF113A-E) | | PFC-A1 |

Specifications

Ratings

Coil Ratings

| Rated voltage | Rated current | | Coil resistance | Must operate voltage | Must release voltage | Max. voltage | Power consumption |
|---------------|---------------|---------|-----------------|----------------------|---------------------------|--|--|
| | 50 Hz | 60 Hz | | | | | |
| AC | 6 V | 443 mA | 385 mA | 3.1 Ω | 80% max. of rated voltage | 30% min. of rated voltage at 60 Hz 25% min. of rated voltage at 50 Hz | Approx. 2.3 VA at 60 Hz Approx. 2.7 VA at 50 Hz |
| | 12 V | 221 mA | 193 mA | 13.7 Ω | | | |
| | 24 V | 110 mA | 96.3 mA | 48.4 Ω | | | |
| | 100 V | 26.6 mA | 23.1 mA | 760 Ω | | | |
| | 110 V | 24.2 mA | 21.0 mA | 932 Ω | | | |
| | 200 V | 13.3 mA | 11.6 mA | 3,160 Ω | | | |
| | 220 V | 12.1 mA | 10.5 mA | 3,550 Ω | | | |
| | 230 V | 10.0 mA | 11.5 mA | 4,250 Ω | | | |
| | 240 V | 11.0 mA | 9.6 mA | 4,480 Ω | 110% of rated voltage | | |
| DC | 6 V | 224 mA | | 26.7 Ω | | 15% min. of rated voltage | Approx. 1.4 W |
| | 12 V | 112 mA | | 107 Ω | | | |
| | 24 V | 55.8 mA | | 430 Ω | | | |
| | 48 V | 28.1 mA | | 1,710 Ω | | | |
| | 100 V | 13.5 mA | | 7,390 Ω | | | |
| | 110 V | 12.3 mA | | 8,960 Ω | | | |
| | 125 V | 10.8 mA | | 11,576 Ω | | | |

- Note:**
1. The rated current and coil resistance are measured at a coil temperature of 23°C with tolerances of +15%/–20% for AC rated current and ±15% for DC coil resistance.
 2. Performance characteristic data are measured at a coil temperature of 23°C.
 3. The maximum voltage is one that is applicable instantaneously to the Relay coil at 23°C and not continuously.
 4. For DC-operated Relays with the LED indicator built-in, add an LED current of approx. 5 mA to the rated current.

Contact Ratings

| Load | | Resistive load ($\cos\phi = 1$) | Inductive load ($\cos\phi = 0.4$) |
|------------------------|----|--------------------------------------|--|
| Contact mechanism | | Single | |
| Contact material | | AgSnIn | |
| Rated load | NO | 10 A, 250 VAC 10A, 30 VDC | 7 A, 250 VAC |
| | NC | 5 A, 250 VAC 5 A, 30 VDC | |
| Rated carry current | | 10 A | |
| Max. switching voltage | | 250 VAC, 250 VDC | |
| Max. switching current | | 10 A | |
| Max. switching power | NO | 2,500 VA/300 W | |
| | NC | 1,250 VA/150 W | |

Characteristics

| | |
|---|---|
| Contact resistance | 100 mΩ max. |
| Operate time | AC: 20 ms max. DC: 30 ms max. |
| Release time | 20 ms max. (40 ms max. for built-in Diode Relays) |
| Max. operating frequency | Mechanical: 18,000 operations/h Electrical: 1,800 operations/h (under rated load) |
| Insulation resistance | 100 MΩ min. (at 500 VDC) |
| Dielectric strength | 2,500 VAC 50/60 Hz for 1 min between coil and contacts 1,000 VAC 50/60 Hz for 1 min between contacts of same polarity and terminals of the same polarity 2,500 VAC 50/60 Hz for 1 min between current-carrying parts, non-current-carrying parts, and opposite polarity |
| Insulation method | Basic insulation |
| Impulse withstand voltage | 4.5 kV between coil and contacts (with 1.2 × 50 μs impulse wave) 3.0 kV between contacts of different polarity (with 1.2 × 50 μs impulse wave) |
| Pollution degree | 3 |
| Rated insulation voltage | 250 V |
| Vibration resistance | Destruction: 10 to 55 to 10 Hz, 0.75-mm single amplitude (1.5-mm double amplitude) Malfunction: 10 to 55 to 10 Hz, 0.5-mm single amplitude (1.0-mm double amplitude) |
| Shock resistance | Destruction: 1,000 m/s ² (approx. 100 G) Malfunction: 100 m/s ² (approx. 10 G) |
| Endurance | Mechanical: 5,000,000 operations min. (at 18,000 operations/h under rated load) Electrical: 100,000 operations h. (at 1,800 operations/h under rated load) |
| Failure rate P level (reference value) | 10 mA at 1 VDC |
| Ambient temperature | Operating: -40 to 60°C (with no icing or condensation) |
| Ambient humidity | Operating: 5% to 85% |
| Weight | Approx. 90 g |

Note: 1. The values given above are initial values.
2. P level: $\lambda_{60} = 0.1 \times 10^{-6}$ /operation
3. Ambient temperature of models with LED indicator is -25 to 60°C.

Approved Standards

UL508 (File No. E41515) 

| Coil ratings | Contact ratings | Operations |
|------------------------------|--|------------|
| 6 to 110 VDC 6 to 240 VAC | N.O. contact 10 A, 250 V AC 50/60 Hz (Resistive) 10 A, 30 V DC (Resistive) 7 A, 250 V AC 50/60 Hz (General Use) | 100,000 |
| | N.C. contact 10 A, 250 V AC 50/60 Hz (Resistive) 10 A, 30 V DC (Resistive) 7 A, 250 V AC 50/60 Hz (General Use) | 100,000 |

CSA Standard: CSA C22.2 No. 14 (File No. LR35535) 

| Coil ratings | Number of Poles | Contact ratings | Operations |
|------------------------------|-----------------|--|------------|
| 6 to 125 VDC 6 to 240 VAC | 2 | 10 A, 250 V AC (Resistive) 10 A, 30 V DC (Resistive) 7 A, 250 V AC (General Use) | 100,000 |
| | 3 | 10 A, 250 V AC (Resistive) Same Polarity 10 A, 30 V DC (Resistive) Same Polarity 7 A, 250 V AC (General Use) Same Polarity | 100,000 |

IEC Standard/TÜV Certification: IEC61810-1
(Certification No. R50104853) 

| Coil ratings | Contact ratings | Operations |
|--|--|------------|
| 6, 12, 24, 48, 100, 110 VDC 6, 12, 24, 100, 110, 200, 220, 240 VAC | N.O. contact 10 A, 250 V AC 50/60 Hz (Resistive) 10 A, 30 V DC (Resistive) 7 A, 250 V AC 50/60 Hz (General Use) | 100,000 |
| | N.C. contact 5 A, 250 V AC 50/60 Hz (Resistive) 5 A, 30 V DC (Resistive) 7 A, 250 V AC 50/60 Hz (General Use) | 100,000 |

Note: When Relays are mounted on the PF083A-E or PF113A-E, the maximum carrying current is 9 A.

Engineering Data

Reference Data

Maximum Switching Power



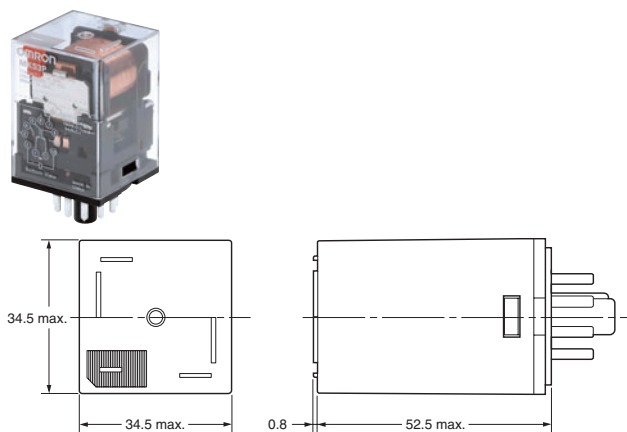
Rated Carry Current vs. Ambient Rated Temperature



Note: The lower limit of the ambient operating temperature for models with built-in operation indicators is -25°C.

Dimensions

Models without Latching Lever



Models with Latching Lever



Sockets

See below for Socket dimensions.

| Socket | Surface-mounting Socket (for track or screw mounting) | | |
|-----------------------|---|---|---|
| | Finger-protection models | | --- |
| Maximum carry current | 10 A | | 5 A |
| 2 poles | PF083A-E  | PF083A-D  | PF083A  |
| 3 poles | PF113A-E  | PF113A-E-D  | PF113A  |

Note: Use the Surface-mounting Sockets (i.e., finger-protection models) with “-E” at the end of the model number. When using the PF083A and PF113A, be sure not to exceed the Socket’s maximum carry current of 5 A. Using at a current exceeding 5 A may lead to burning. Round terminals cannot be used for finger-protection models. Use Y-shaped terminals.

PF083A-E (Conforming to EN 50022)



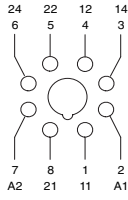
PF113A-E (Conforming to EN 50022)



PF083A-D

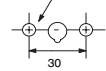


Terminal Arrangement



Mounting Holes

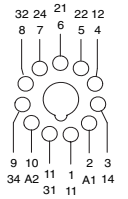
Two, M4 or two 4.5-dia. hole



PF113A-D

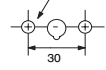


Terminal Arrangement



Mounting Holes

Two, M4 or two 4.5-dia. hole



Hold-down Clips

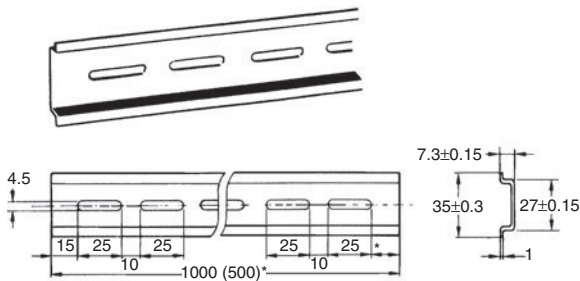
PFC-A1

(2 pieces per set)



Mounting Tracks

**PFP-100N, PFP-50N
(Conforming to EN 50022)**



* This dimension applies to the PFP-50N Mounting Track.

**PFP-100N2
(Conforming to EN 50022)**



* A total of twelve 25 × 4.5 elliptical holes is provided with six holes cut from each track end at a pitch of 10 mm.

Mounting Height with Sockets

Surface-mounting Sockets



Note: PF083A(-E) and PF113A(-E) allow either track or screw mounting.

Terminal Arrangement and Internal Connection (Bottom View)

Standard Models
(AC/DC Coil)



Models with LED Indicator
(AC Coil)



Models with Diode
(DC Coil: Standard Polarity)



Models with LED Indicator and Diode
(DC Coil: Reverse Polarity)



Standard Models
(DC Coil: Standard Polarity)



Models with Diode
(DC Coil: Reverse Polarity)



Models with LED indicator
(DC Coil)



| Models with Varistor (AC Coil) | MKS2P(I)-V | MKS2P(I)-V-2 | MKS3P(I)-V | MKS3P(I)-V-2 | MKS3P(I)-V-5 |
|--|---|---|--|---|---|
| Models with LED indicator and Varistor (AC Coil) |  |  |  |  |  |

Safety Precautions

Refer to *Safety Precautions for All Relays*.

Safety Precautions for Correct Use

Installation

Mount the MK-S with the marking at the bottom.

Handling

Check the coil polarity of models with built-in operation indicator (DC operation coil) and wire them correctly .

Test Button

Do not use the test button for any purpose other than testing. Be sure not to touch the test button accidentally as this will turn the contacts ON.

Before using the test button, confirm that circuits, the load, and any other connected item will operate safely.

Check that the test button is released before turning ON relay circuits.

If the test button is pulled out too forcefully, it may bypass the momentary testing position and go straight into the locked position.

Use an insulated tool when you operate the test button.

Models with test buttons or LED indicators fulfill the requirements for reinforced insulation between live parts and the front of cover only when the Relay is in a complete condition, i.e. with the nameplate, nameplate frame, test button, and slider in place. If any of these parts are removed, only the requirements for basic insulation are fulfilled.

Read and Understand This Catalog

Please read and understand this catalog before purchasing the products. Please consult your OMRON representative if you have any questions or comments.

Warranty and Limitations of Liability

WARRANTY

OMRON's exclusive warranty is that the products are free from defects in materials and workmanship for a period of one year (or other period if specified) from date of sale by OMRON.

OMRON MAKES NO WARRANTY OR REPRESENTATION, EXPRESS OR IMPLIED, REGARDING NON-INFRINGEMENT, MERCHANTABILITY, OR FITNESS FOR PARTICULAR PURPOSE OF THE PRODUCTS. ANY BUYER OR USER ACKNOWLEDGES THAT THE BUYER OR USER ALONE HAS DETERMINED THAT THE PRODUCTS WILL SUITABLY MEET THE REQUIREMENTS OF THEIR INTENDED USE. OMRON DISCLAIMS ALL OTHER WARRANTIES, EXPRESS OR IMPLIED.

LIMITATIONS OF LIABILITY

OMRON SHALL NOT BE RESPONSIBLE FOR SPECIAL, INDIRECT, OR CONSEQUENTIAL DAMAGES, LOSS OF PROFITS OR COMMERCIAL LOSS IN ANY WAY CONNECTED WITH THE PRODUCTS, WHETHER SUCH CLAIM IS BASED ON CONTRACT, WARRANTY, NEGLIGENCE, OR STRICT LIABILITY.

In no event shall the responsibility of OMRON for any act exceed the individual price of the product on which liability is asserted.

IN NO EVENT SHALL OMRON BE RESPONSIBLE FOR WARRANTY, REPAIR, OR OTHER CLAIMS REGARDING THE PRODUCTS UNLESS OMRON'S ANALYSIS CONFIRMS THAT THE PRODUCTS WERE PROPERLY HANDLED, STORED, INSTALLED, AND MAINTAINED AND NOT SUBJECT TO CONTAMINATION, ABUSE, MISUSE, OR INAPPROPRIATE MODIFICATION OR REPAIR.

Application Considerations

SUITABILITY FOR USE

OMRON shall not be responsible for conformity with any standards, codes, or regulations that apply to the combination of products in the customer's application or use of the products.

At the customer's request, OMRON will provide applicable third party certification documents identifying ratings and limitations of use that apply to the products. This information by itself is not sufficient for a complete determination of the suitability of the products in combination with the end product, machine, system, or other application or use.

The following are some examples of applications for which particular attention must be given. This is not intended to be an exhaustive list of all possible uses of the products, nor is it intended to imply that the uses listed may be suitable for the products:

- Outdoor use, uses involving potential chemical contamination or electrical interference, or conditions or uses not described in this catalog.
- Nuclear energy control systems, combustion systems, railroad systems, aviation systems, medical equipment, amusement machines, vehicles, safety equipment, and installations subject to separate industry or government regulations.
- Systems, machines, and equipment that could present a risk to life or property.

Please know and observe all prohibitions of use applicable to the products.

NEVER USE THE PRODUCTS FOR AN APPLICATION INVOLVING SERIOUS RISK TO LIFE OR PROPERTY WITHOUT ENSURING THAT THE SYSTEM AS A WHOLE HAS BEEN DESIGNED TO ADDRESS THE RISKS, AND THAT THE OMRON PRODUCTS ARE PROPERLY RATED AND INSTALLED FOR THE INTENDED USE WITHIN THE OVERALL EQUIPMENT OR SYSTEM.

PROGRAMMABLE PRODUCTS

OMRON shall not be responsible for the user's programming of a programmable product, or any consequence thereof.

Disclaimers

CHANGE IN SPECIFICATIONS

Product specifications and accessories may be changed at any time based on improvements and other reasons.

It is our practice to change model numbers when published ratings or features are changed, or when significant construction changes are made. However, some specifications of the products may be changed without any notice. When in doubt, special model numbers may be assigned to fix or establish key specifications for your application on your request. Please consult with your OMRON representative at any time to confirm actual specifications of purchased products.

DIMENSIONS AND WEIGHTS

Dimensions and weights are nominal and are not to be used for manufacturing purposes, even when tolerances are shown.

PERFORMANCE DATA

Performance data given in this catalog is provided as a guide for the user in determining suitability and does not constitute a warranty. It may represent the result of OMRON's test conditions, and the users must correlate it to actual application requirements. Actual performance is subject to the OMRON Warranty and Limitations of Liability.

ERRORS AND OMISSIONS

The information in this document has been carefully checked and is believed to be accurate; however, no responsibility is assumed for clerical, typographical, or proofreading errors, or omissions.

2011.5

In the interest of product improvement, specifications are subject to change without notice.

OMRON Corporation
Industrial Automation Company

<http://www.ia.omron.com/>

(c)Copyright OMRON Corporation 2011 All Right Reserved.



Компания «ЭлектроПласт» предлагает заключение долгосрочных отношений при поставках импортных электронных компонентов на взаимовыгодных условиях!

Наши преимущества:

- Оперативные поставки широкого спектра электронных компонентов отечественного и импортного производства напрямую от производителей и с крупнейших мировых складов;
- Поставка более 17-ти миллионов наименований электронных компонентов;
- Поставка сложных, дефицитных, либо снятых с производства позиций;
- Оперативные сроки поставки под заказ (от 5 рабочих дней);
- Экспресс доставка в любую точку России;
- Техническая поддержка проекта, помощь в подборе аналогов, поставка прототипов;
- Система менеджмента качества сертифицирована по Международному стандарту ISO 9001;
- Лицензия ФСБ на осуществление работ с использованием сведений, составляющих государственную тайну;
- Поставка специализированных компонентов (Xilinx, Altera, Analog Devices, Intersil, Interpoint, Microsemi, Aeroflex, Peregrine, Syfer, Eurofarad, Texas Instrument, Miteq, Cobham, E2V, MA-COM, Hittite, Mini-Circuits, General Dynamics и др.);

Помимо этого, одним из направлений компании «ЭлектроПласт» является направление «Источники питания». Мы предлагаем Вам помощь Конструкторского отдела:

- Подбор оптимального решения, техническое обоснование при выборе компонента;
- Подбор аналогов;
- Консультации по применению компонента;
- Поставка образцов и прототипов;
- Техническая поддержка проекта;
- Защита от снятия компонента с производства.



Как с нами связаться

Телефон: 8 (812) 309 58 32 (многоканальный)

Факс: 8 (812) 320-02-42

Электронная почта: org@eplast1.ru

Адрес: 198099, г. Санкт-Петербург, ул. Калинина, дом 2, корпус 4, литера А.