

### General Description

The QPL9097 is a high-linearity, ultra-low noise gain block amplifier with a bypass mode functionality integrated in the product. At 3.8 GHz, the amplifier typically provides 22 dB gain, +34 dBm OIP3, and 1.1 dB noise figure while drawing 50 mA current from a +4.2 V supply.

The QPL9097 is internally matched using a high-performance E-pHEMT process and only requires four external components for operation from a single positive supply: an external RF choke and blocking/bypass capacitors. This low noise amplifier contains an internal active bias to maintain high performance over temperature.

The QPL9097 is optimized for the 3.3–4.2 GHz frequency band and is targeted for wireless infrastructure. The QPL9097 is packaged in a 2x2 mm DFN.



8 Pin 2X2 mm DFN Package

### Product Features

- 3.3 – 4.2 GHz Operational bandwidth
- LNA with integrated bypass mode
- Ability to turn LNA and bypass mode OFF
- Ultra-low noise, 1.1 dB at 3.8 GHz
- 22 dB Gain at 3.8 GHz
- +34 dBm Output IP3 in LNA Mode
- +37 dBm Input IP3 in Bypass Mode
- Internally matched
- Positive supply only, +3.3 to +5 V
- 2x2 mm 8-pin DFN plastic package

### Functional Block Diagram



Top View

### Applications

- Base-station Receivers
- Repeaters / DAS
- Tower Mounted Amplifiers
- Mobile Infrastructure
- General Purpose Wireless
- TDD or FDD systems

### Ordering Information

Part No.	Description
QPL9097TR7	2500 pcs on 7" reel
QPL9097EVBP01	Evaluation Board

## Absolute Maximum Ratings

Parameter	Rating
Storage Temperature	-65 to 150°C
Supply Voltage (V <sub>DD</sub> )	+7 V
RF Input Power, CW, 50Ω, T=25°C	+30 dBm

Operation of this device outside the parameter ranges given above may cause permanent damage.

## Recommended Operating Conditions

Parameter	Min	Typ	Max	Units
Supply Voltage (V <sub>DD</sub> )	3.0	4.2	5.25	V
T <sub>CASE</sub>	-40		+105	°C
T <sub>j</sub> at T <sub>CASE</sub> = 125°C			+142	°C

Electrical specifications are measured at specified test conditions. Specifications are not guaranteed over all recommended operating conditions.

## Electrical Specifications

Test conditions unless otherwise noted: V<sub>DD</sub> = +4.2 V, Temp.=+25°C.

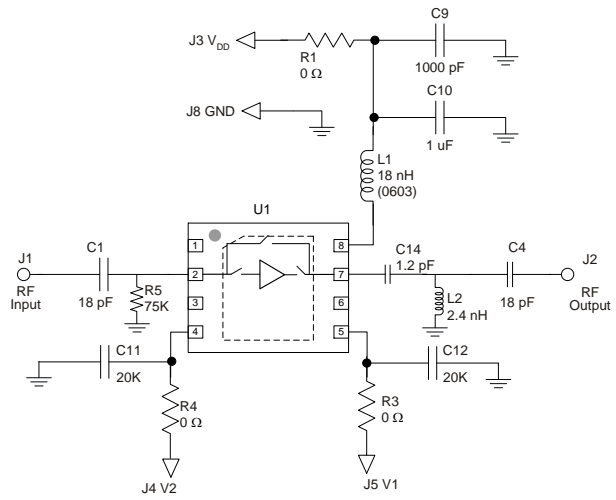
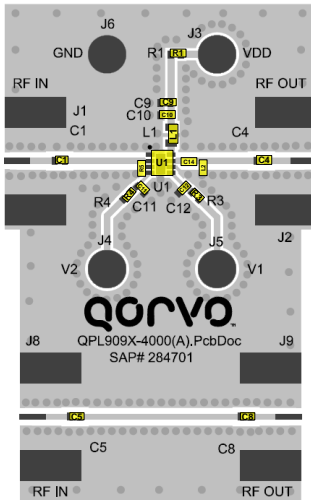
Parameter	Conditions	Min	Typ	Max	Units
Operational Frequency Range		3300		4200	MHz
Test Frequency			3800		MHz
Gain	LNA ON, Bypass OFF	19.5	22	23.5	dB
Input Return Loss	LNA ON, Bypass OFF		12		dB
Output Return Loss	LNA ON, Bypass OFF		11.5		dB
Noise Figure <sup>(2)</sup>	LNA ON, Bypass OFF		1.1	1.6	dB
Output P1dB <sup>(1)</sup>	LNA ON, Bypass OFF	+14	+15.5		dBm
Output IP3	LNA ON, Bypass OFF, Pout=+0 dBm/tone, Δf=5 MHz	+30	+34		dBm
Insertion Loss	LNA OFF, Bypass ON		2	3	dB
Return Loss	LNA OFF, Bypass ON		13		dB
Isolation <sup>(1)</sup>	LNA OFF, Bypass OFF	17	20		dB
Output IP3	LNA OFF, Bypass ON Pin=+3 dBm/tone, Δf=5 MHz	+28	+35		dBm
Control Voltage, V <sub>1</sub> , V <sub>2</sub>	V <sub>IH</sub>	1.17		V <sub>DD</sub>	V
	V <sub>IL</sub>	0		0.63	V
Current, I <sub>D</sub>	LNA ON		50	75	mA
	Bypass ON		5		mA
Switching Time	LNA-Bypass (50% Vctrl to 10% RF)		137	1000	ns
	Bypass-LNA (50% Vctrl to 90% RF)		354	1000	ns
	LNA-OFF (50% Vctrl to 10% RF)		26	1000	ns
	OFF-LNA (50% Vctrl to 90% RF)		55	1000	ns
Thermal Resistance, θ <sub>jc</sub>	Channel to case		44		°C/W

1. Minimum specification listed is guaranteed by design. Not tested in production.
2. Input trace loss de-embedded from noise figure data.

## Control Truth Table

V <sub>BYP</sub>	V <sub>SD</sub>	State
0	0	LNA ON, Bypass OFF
0	1	LNA OFF, Bypass OFF
1	x	LNA OFF, Bypass ON

## QPL9097 Evaluation Board



**Notes:**

1. A through line is included on the evaluation board to de-embed the board losses.
2. C14 and L2 are placed as close to device as possible. Any trace length between the device and components will add parasitics that will affect the tune.

## Bill of Material – QPL9097 Evaluation Board

Reference Des.	Value	Description	Manuf.	Part Number
PCB	--	Printed Circuit Board	Qorvo	
U1	--	Ultra-Low Noise, Bypass LNA	Qorvo	QPL9097
C11, C12	20 KΩ	RES, 0402, 1%, 1/10W	Various	
R1, R3, R4, C4	0 Ω	RES, 0402, +/-5%, 1/16W	Murata	
C1,5,8	18 pF	CAP, 0402, +/-5%, 50V	Murata	
C10	1000 pF	CAP, 0402, 10%, 50V, X7R	Various	
C9	1.0 μF	CAP, 0402, 10%, 10V, X5R	various	
C14	1.2 pF	CAP, 0402, 0.1pF, 50V, C0G	Murata	GJM1555C1H1R2BB01D
L2	2.4 nH	IND, 0402, 5%, WW	Coilcraft	0402CS-2N4XJLW
R5	75 KΩ	RES, 0402, 5%		

## Typical Performance (LNA Mode)

Test conditions unless otherwise noted:  $V_{DD} = +4.2\text{ V}$ ,  $V_1 = 0.63\text{V}$ ,  $V_2 = 0.63\text{V}$ ,  $I_D = 50\text{ mA}$ , Temp. = +25 °C.

Parameter	Typical Value				Units
Frequency	3.4	3.6	3.8	4.0	MHz
Gain	24	23	22	20	dB
Noise Figure	0.9	1.0	1.1	1.2	dB
Input Return Loss	14	12.5	12	11	dB
Output Return Loss	11	11	11.5	12	dB
OIP3 (Pout/tone=+0 dBm, $\Delta f = 1\text{ MHz}$ )	32.5	32.6	32.5	32.2	dBm
P1dB	15.5	15.6	15.5	15.4	dBm

## Typical Performance (Bypass Mode)

Test conditions unless otherwise noted:  $V_{DD} = +4.2\text{ V}$ ,  $V_1 = 1.17\text{V}$ ,  $V_2 = 1.17\text{V}$  or  $0.63\text{V}$ ,  $I_d = 5\text{ mA}$ , Temp. = +25 °C.

Parameter	Typical Value				Units
Frequency	3.4	3.6	3.8	4.0	MHz
Insertion Loss	2.2	2.0	2.0	2.0	dB
Input Return Loss	13.5	13	12.5	12	dB
Output Return Loss	14	16.5	17.5	17	dB
Input IP3 (Pin/tone=+3 dBm, $\Delta f = 1\text{ MHz}$ )	39.2	38.2	38	38	dBm

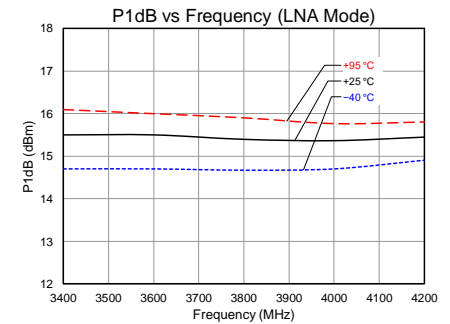
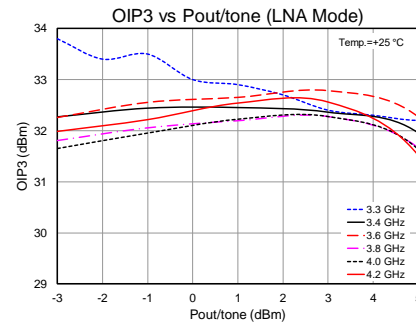
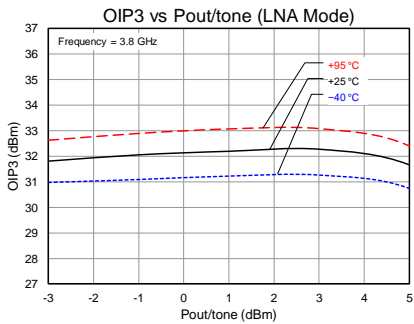
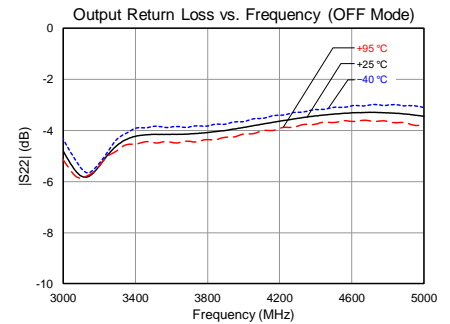
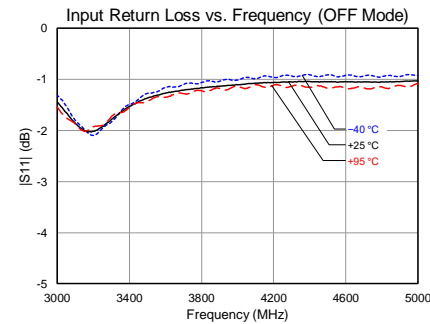
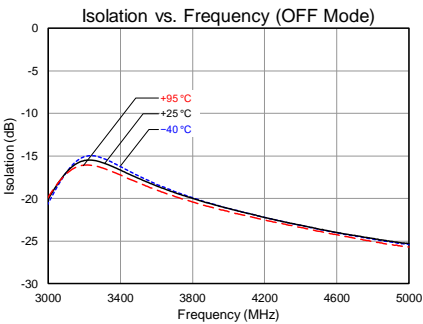
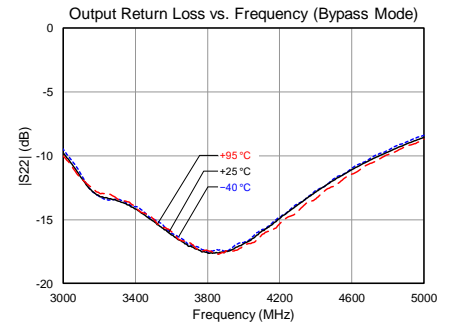
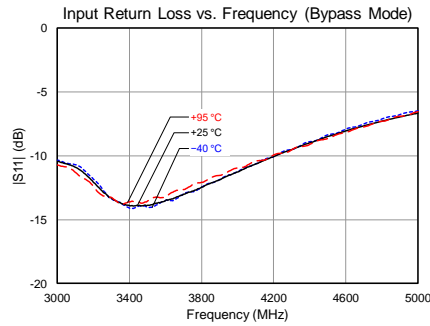
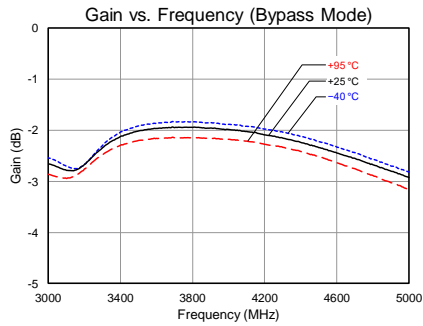
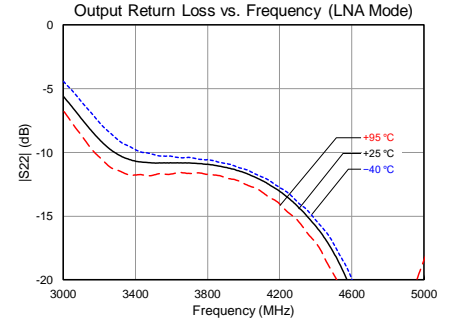
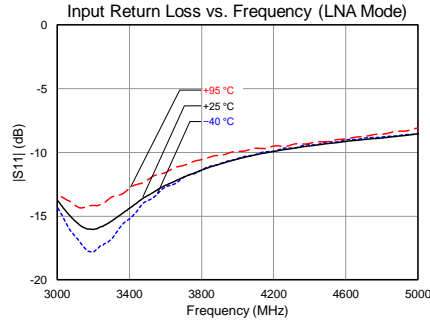
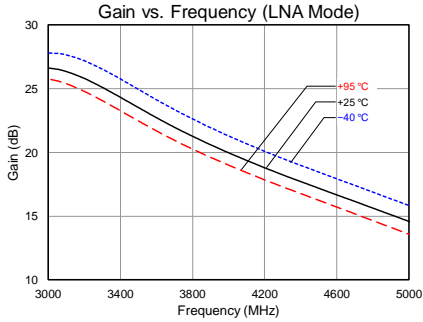
## Typical Performance (LNA OFF, Bypass OFF Mode)

Test conditions unless otherwise noted:  $V_{DD} = +4.2\text{ V}$ ,  $V_1 = 0.63\text{V}$ ,  $V_2 = 1.17\text{V}$ , Temp. = +25 °C.

Parameter	Typical Value				Units
Frequency	3.4	3.6	3.8	4.0	MHz
Isolation	16.5	18	20	22	dB

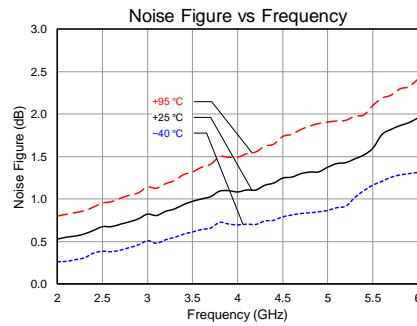
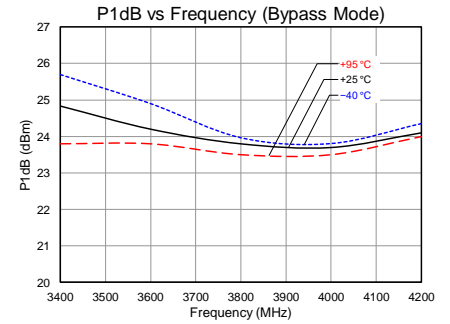
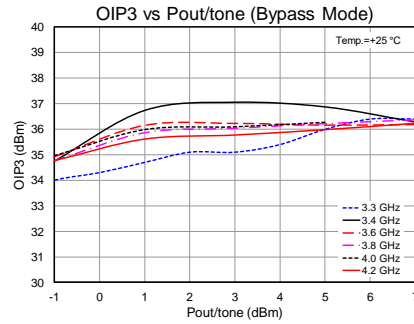
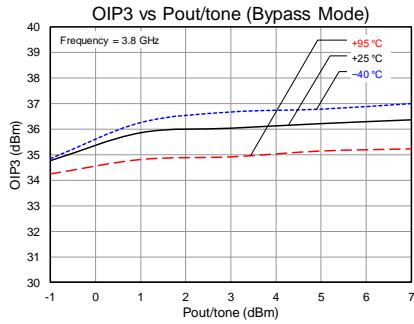
## Performance Plots

Test conditions unless otherwise noted:  $V_{DD} = +4.2\text{ V}$

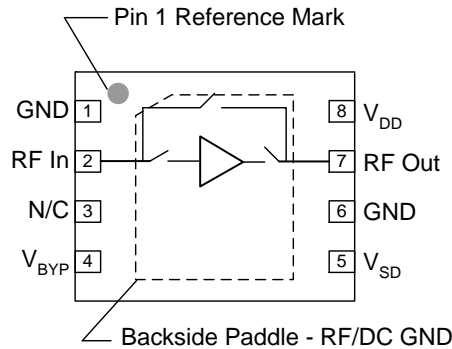


## Performance Plots Contd.

Test conditions unless otherwise noted:  $V_{DD} = +4.2\text{ V}$



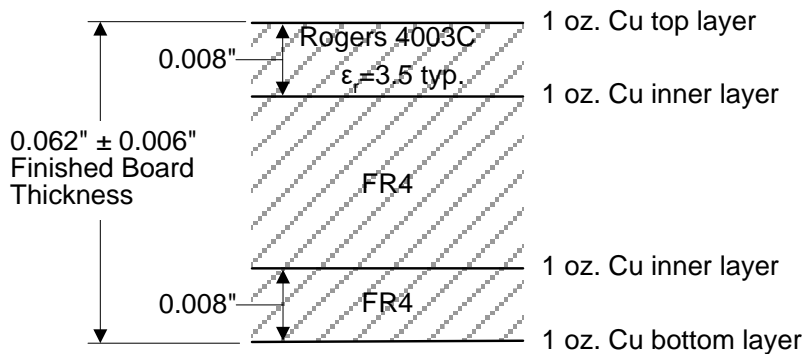
## Pin Configuration and Description



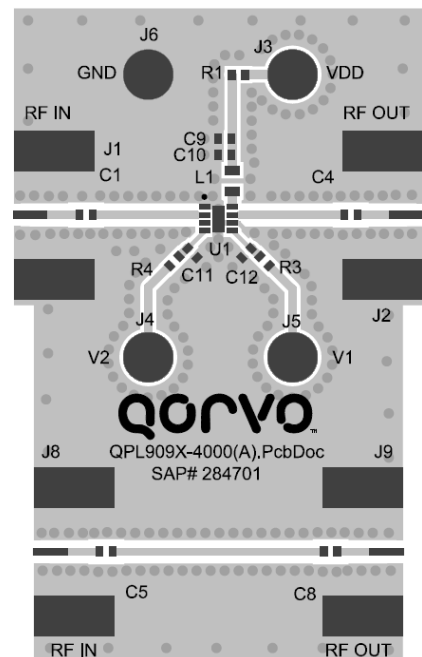
Pin No.	Label	Description
1, 6	GND	RF/DC Ground pin.
2	RF In	RF input pin. DC block required.
3	N/C	No internal connection. Provide grounded PCB land pads for mounting integrity.
4	V <sub>BYP</sub>	Control pin for bypass mode. The LNA is automatically turned off when the bypass mode is activated. Refer to truth table on page 2.
5	V <sub>SD</sub>	Control pin to disable the LNA. Refer to truth table on page 2.
7	RF Out	RF output pin. DC block required.
8	V <sub>DD</sub>	Supply voltage pin. External choke and bypass capacitors needed.
Backside Paddle	RF/DC GND	RF/DC Ground. Follow recommended via hole pattern and ensure good solder attach for best thermal and electrical performance.

## Evaluation Board PCB Information

Qorvo PCB 284701 Material and Stack-up

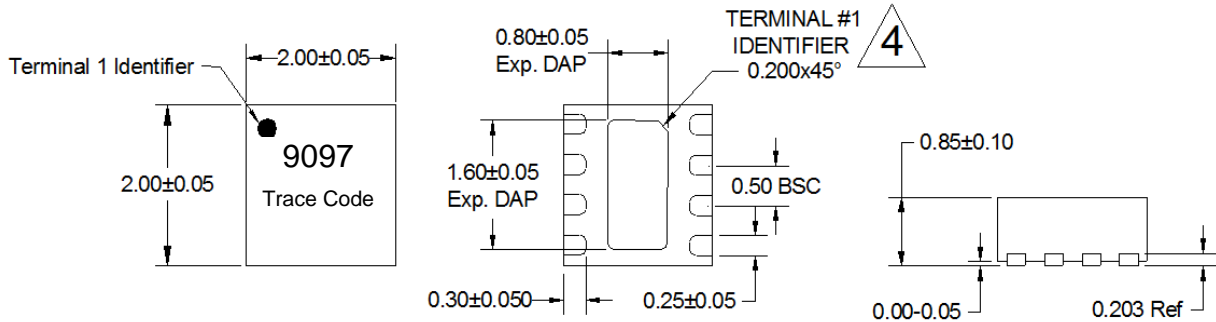


50 ohm line dimensions: width = 0.0182", spacing = 0.020"



Mechanical Information

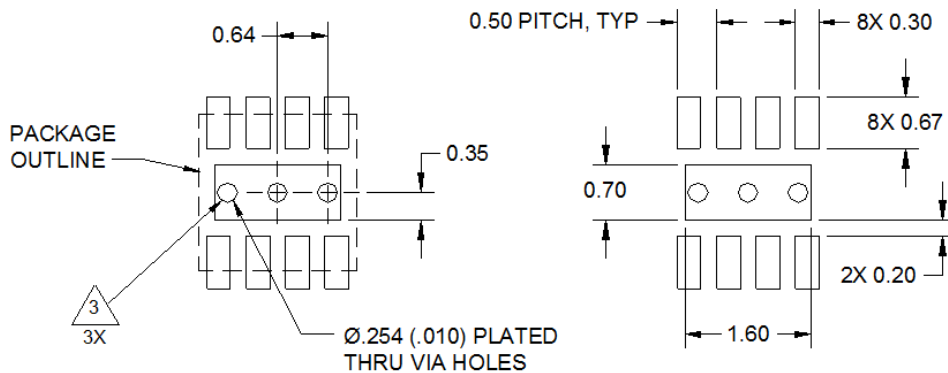
Package Marking and Dimensions



Notes:

1. All dimensions are in millimeters. Angles are in degrees.
2. Except where noted, this part outline conforms to JEDEC standard MO-220, Issue E (Variation VGGC) for thermally enhanced plastic very thin fine pitch quad flat no lead package (QFN).
3. Dimension and tolerance formats conform to ASME Y14.4M-1994.
4. The terminal #1 identifier and terminal numbering conform to JESD 95-1 SPP-012.

PCB Mounting Pattern

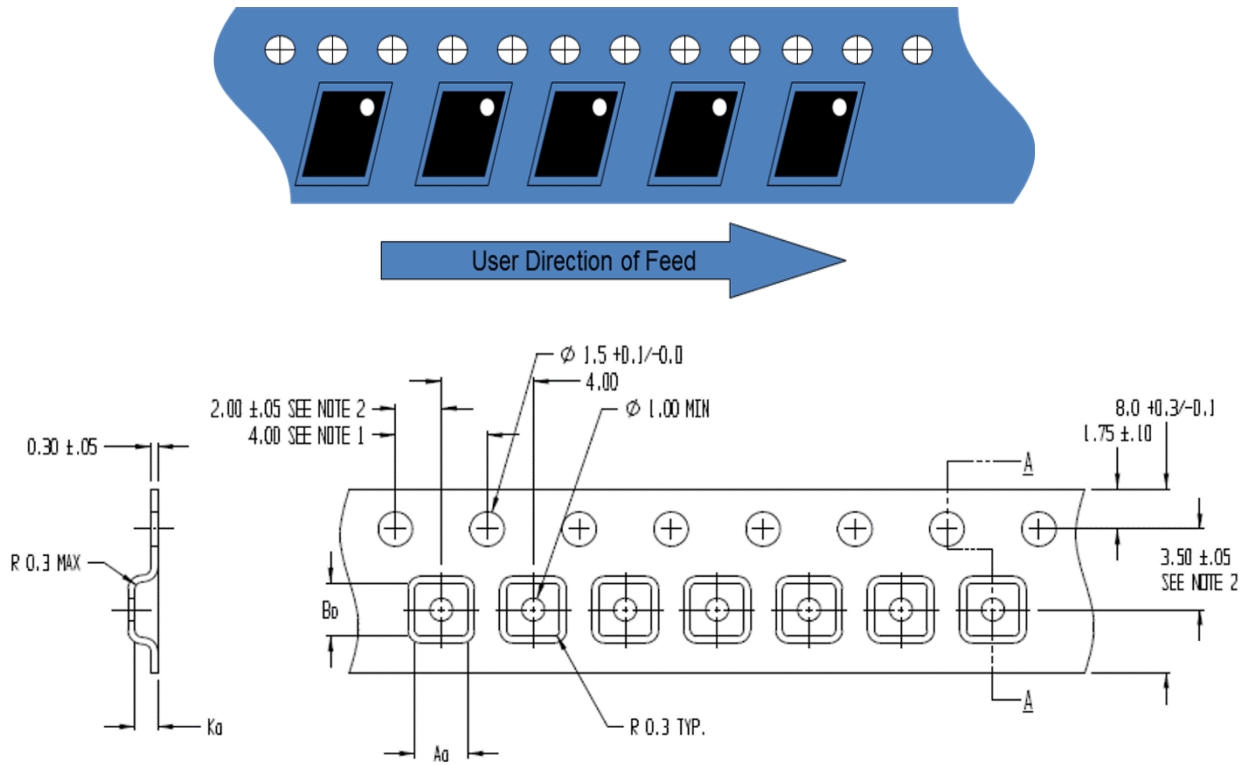


Notes:

1. All dimensions are in millimeters. Angles are in degrees.
2. Use 1 oz. copper minimum for top and bottom layer metal.
3. Via holes are required under the backside paddle of this device for proper RF/DC grounding and thermal dissipation. We recommend a  $0.35$ mm (#80/.0135") diameter bit for drilling via holes and a final plated thru diameter of  $0.25$  mm ( $0.01$ ").
4. Ensure good package backside paddle solder attach for reliable operation and best electrical performance.



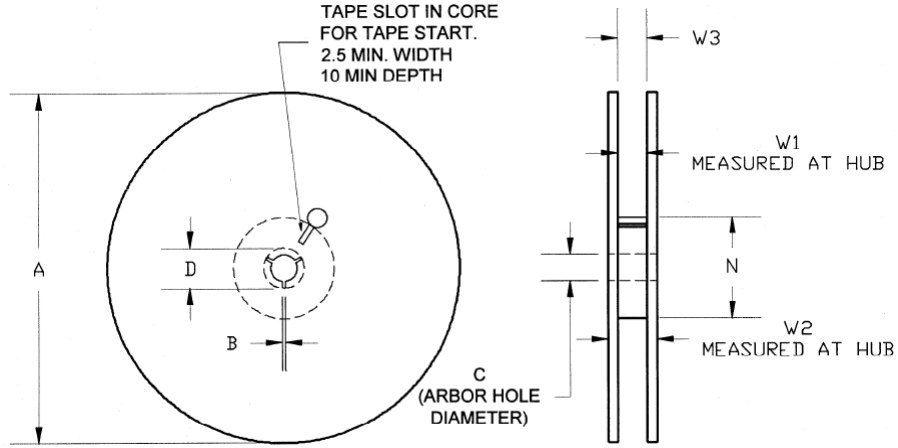
Tape and Reel Information – Carrier and Cover Tape Dimensions



Feature	Measure	Symbol	Size (in)	Size (mm)
Cavity	Length	A0	0.091	2.30
	Width	B0	0.091	2.30
	Depth	K0	0.051	1.30
	Pitch	P1	0.157	4.00
Centerline Distance	Cavity to Perforation - Length Direction	P2	0.079	2.00
	Cavity to Perforation - Width Direction	F	0.138	3.50
Cover Tape	Width	C	0.213	5.40
Carrier Tape	Width	W	0.315	8.00

**Tape and Reel Information – Reel Dimensions**

Standard T/R size = 2,500 pieces on a 7" reel.



Feature	Measure	Symbol	Size (in)	Size (mm)
Flange	Diameter	A	6.969	177.0
	Thickness	W2	0.559	14.2
	Space Between Flange	W1	0.346	8.8
Hub	Outer Diameter	N	2.293	58.0
	Arbor Hole Diameter	C	0.512	13.0
	Key Slit Width	B	0.079	2.0
	Key Slit Diameter	D	0.787	20.0

**Tape and Reel Information – Tape Length and Label Placement**



- Notes:
1. Empty part cavities at the trailing and leading ends are sealed with cover tape. See EIA 481-1-A.
  2. Labels are placed on the flange opposite the sprockets in the carrier tape.

## Handling Precautions

Parameter	Rating	Standard
ESD – Human Body Model (HBM)	Class 1B	ESDA / JEDEC JS-001-2014
ESD – Charged Device Model (CDM)	Class C3	ESDA / JEDEC JS-002-2014
MSL – Moisture Sensitivity Level	Level 1	IPC/JEDEC J-STD-020



Caution!  
ESD-Sensitive Device

## Solderability

Compatible with lead-free (260°C max. reflow temp.) soldering process.  
Solder profiles available upon request.

Contact plating: NiPdAu

## RoHS Compliance

This part is compliant with 2011/65/EU RoHS directive (Restrictions on the Use of Certain Hazardous Substances in Electrical and Electronic Equipment) as amended by Directive 2015/863/EU.

This product also has the following attributes:

- Lead Free
- Halogen Free (Chlorine, Bromine)
- Antimony Free
- TBBP-A (C<sub>15</sub>H<sub>12</sub>Br<sub>4</sub>O<sub>2</sub>) Free
- PFOS Free
- SVHC Free



## Contact Information

For the latest specifications, additional product information, worldwide sales and distribution locations:

**Web:** [www.qorvo.com](http://www.qorvo.com)

**Tel:** 1-844-890-8163

**Email:** [customer.support@qorvo.com](mailto:customer.support@qorvo.com)

For technical questions and application information:

**Email:** [appsupport@qorvo.com](mailto:appsupport@qorvo.com)

## Important Notice

The information contained herein is believed to be reliable; however, Qorvo makes no warranties regarding the information contained herein and assumes no responsibility or liability whatsoever for the use of the information contained herein. All information contained herein is subject to change without notice. Customers should obtain and verify the latest relevant information before placing orders for Qorvo products. The information contained herein or any use of such information does not grant, explicitly or implicitly, to any party any patent rights, licenses, or any other intellectual property rights, whether with regard to such information itself or anything described by such information. **THIS INFORMATION DOES NOT CONSTITUTE A WARRANTY WITH RESPECT TO THE PRODUCTS DESCRIBED HEREIN, AND QORVO HEREBY DISCLAIMS ANY AND ALL WARRANTIES WITH RESPECT TO SUCH PRODUCTS WHETHER EXPRESS OR IMPLIED BY LAW, COURSE OF DEALING, COURSE OF PERFORMANCE, USAGE OF TRADE OR OTHERWISE, INCLUDING THE IMPLIED WARRANTIES OF MERCHANTABILITY AND FITNESS FOR A PARTICULAR PURPOSE.**

Without limiting the generality of the foregoing, Qorvo products are not warranted or authorized for use as critical components in medical, life-saving, or life-sustaining applications, or other applications where a failure would reasonably be expected to cause severe personal injury or death.

Copyright 2018 © Qorvo, Inc. | Qorvo is a registered trademark of Qorvo, Inc.



Компания «ЭлектроПласт» предлагает заключение долгосрочных отношений при поставках импортных электронных компонентов на взаимовыгодных условиях!

Наши преимущества:

- Оперативные поставки широкого спектра электронных компонентов отечественного и импортного производства напрямую от производителей и с крупнейших мировых складов;
- Поставка более 17-ти миллионов наименований электронных компонентов;
- Поставка сложных, дефицитных, либо снятых с производства позиций;
- Оперативные сроки поставки под заказ (от 5 рабочих дней);
- Экспресс доставка в любую точку России;
- Техническая поддержка проекта, помощь в подборе аналогов, поставка прототипов;
- Система менеджмента качества сертифицирована по Международному стандарту ISO 9001;
- Лицензия ФСБ на осуществление работ с использованием сведений, составляющих государственную тайну;
- Поставка специализированных компонентов (Xilinx, Altera, Analog Devices, Intersil, Interpoint, Microsemi, Aeroflex, Peregrine, Syfer, Eurofarad, Texas Instrument, Miteq, Cobham, E2V, MA-COM, Hittite, Mini-Circuits, General Dynamics и др.);

Помимо этого, одним из направлений компании «ЭлектроПласт» является направление «Источники питания». Мы предлагаем Вам помощь Конструкторского отдела:

- Подбор оптимального решения, техническое обоснование при выборе компонента;
- Подбор аналогов;
- Консультации по применению компонента;
- Поставка образцов и прототипов;
- Техническая поддержка проекта;
- Защита от снятия компонента с производства.



#### Как с нами связаться

**Телефон:** 8 (812) 309 58 32 (многоканальный)

**Факс:** 8 (812) 320-02-42

**Электронная почта:** [org@eplast1.ru](mailto:org@eplast1.ru)

**Адрес:** 198099, г. Санкт-Петербург, ул. Калинина, дом 2, корпус 4, литера А.