



Reliable

Efficient

Intelligent

Universal, Reliable and Long Lasting. The Power for Wireless, Intelligence, and the Future.

The Cita Technologies CPWLD 35 is a conservatively rated, highly reliable, all-weather LED driver specifically suited for the modern demands of commercial solid state lighting. A universal input / output design adapts to a wide range of line and string voltages, allowing for worldwide implementation from a single SKU. Fully variable Multiple Dimming Control delivers analog-like smoothness with zero flicker. The additional 12V auxiliary output provides a separate power source for wireless and/or control interfaces. Cita is proud to design and manufacture all of its own LED drivers, and stands behind them with a 5 year limited warranty.

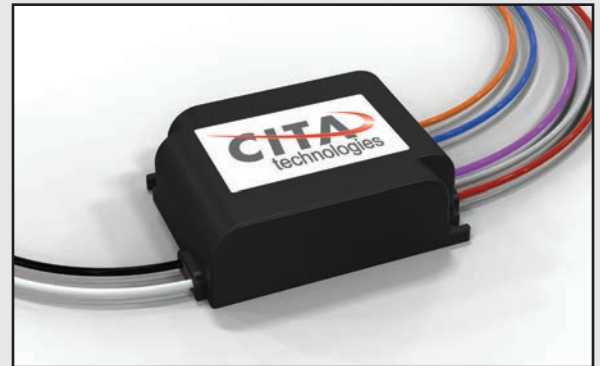
KEY FEATURES:

- **Universal Input and Output (100VAC - 305VAC)**
- **12V auxiliary output available for secondary interface**
- **Excellent 0-10V dimming performance with no flicker**
- **Compatible with IEC 60929:2006 - 0-10V ballast controls**
- **Ultra compact design**
- **Product Assurance: 5 Year Limited Warranty**
(see warranty terms for more information)
- Smooth light output promotes longer LED life
- Fully optimized design produces clean waveforms, reducing noise and stress on components.
- Multiple Dimming control interface and wireless ready
- Fully potted design meets UL IP67
- Highly reliable in wet locations
- Excellent protection features with auto recovery for all conditions
- Long Lifetime Expectancy: >100K hours @ 50°C ambient / full load
- Low standby (Off) power: 0.6W @ 120VAC; 1.5W @ 230VAC

APPLICATIONS:

Wide Variety of LED lighting fixtures:

- Indoor and outdoor
- Dimming and non dimming
- Industrial, commercial, and residential
- Remotely power wireless controllers, including Bluetooth™
- Worldwide acceptance
- Wireless mesh network ready



UL INFORMATION:

- 35W LED Driver
CC up to 1050mA, 60VDC
CV up to 2800mA, 60VDC
- EN60950-1, 2nd Edition, Class 2, IP67
- UL File: E354816

ORDERING INFORMATION:

- **CPWLD 35-52U-070A:**
18-56VDC @ 700mA, Dimming + 100mA AUX
- **CPWLD 35-36U-035B:**
18-60VDC @ 350mA, Dimming + 200mA AUX
- **CPWLD 35-xxU-yyy(A/B):**
Custom CC models
- **CPWLD 35-zz-00:**
Custom CV Models
zz = 12, 24, 36, 48, 60 or upon request

CITA Technologies, L.L.C.

975 Deerfield Pkwy, Buffalo Grove, Illinois 60089, USA

T: 1-800-503-9180 or 1-847-419-9118 F: 1-847-419-1515

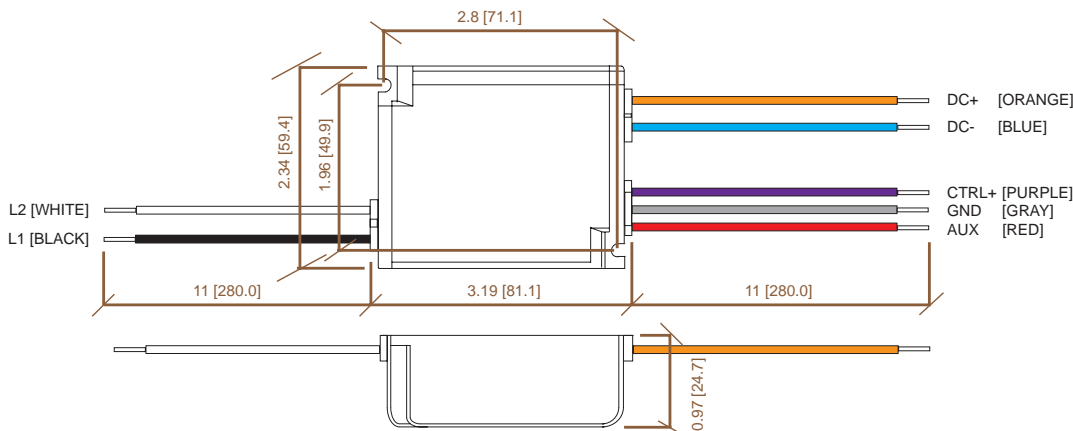
citapower.com

Operating Specifications

Electrical		Environmental	
Input Voltage Range	100 - 305VAC (47-63Hz)	Operating Temperature	-30°C to +70°C
Input Power	Max 42W	Case Temperature	+90°C maximum
Isolation	3000VAC / 1 minute	Storage Temperature	-40°C to +105°C
Inrush Current	60A at 230VAC, 25°C cold start	Ingress Protection	IP67
Power Factor	60% Typical	Case Material	UL94V-0 Plastic (F1)
Output Power	Max 35W	Safety Agency Approvals	
Output Voltage Range	-035 version: 350mA +/-2%, 24-60VDC, 8-18 LED string -070 version: 700mA +/-2%, 24-60VDC, 8-16 LED string All models with turn off capability (DIM <1V)	EN60950-1, 2nd edition, Class 2, IP67, for wet location use	CB Certificate No: E354816-A1-CB-1
Auxiliary Output	-035B version: 12VDC, 200mA maximum -070A version: 12VDC, 100mA maximum <small>*NOTE: If aux load is <1mA, aux output will be in standby mode to save power. In this condition, the aux voltage will be <8V and will not regulate</small>	UL file number: E354816, standards: UL 60950-1, 2nd Edition	Standards: IEC 60950-1(ed.2), IEC 60950 1(ed.2);am1 EN 60950-1:2006/ A11:2009/ A1:2010/ A12:2011
Efficiency	Typical, full load, 35W = 85% Typical, min. LED string, or at -30°C = 80%	CSA C22.2 No. 60950-1-07, 2nd Edition	EMI Standards: CE, EN 55022, Class B; FCC Part 15, Class B
MTBF Lifetime	>500,000 hours @ 50°C ambient, full load >100,000 hours @ 50°C ambient, full load >27,000 hours @ 70°C ambient, full load		
Dimming Control	Wireless dimming interface with 12VDC power output 0-10VDC (10% to 100% dimming) 0-10VDC dimming compatible with IEC60929:2006 controllable ballasts Potentiometer PWM dimming (1KHz/10VDC)		
Robust Protection	OVP, OCP, SCP, OTP		
Mechanical			
Main Body Size	L x W x H: 3.25" x 2.36" x 0.98" Weight: 0.30 lb See drawing below for details		

Notes:

1. This product is not intended to function with TRIAC dimmer
2. Wire Leads: Input: 18AWG, 105°C, 600V; Output: 22AWG, 105°C, 600V



CITA CE C **UL** **US** IP67
UL 60950-1

35W UNIVERSAL LED DRIVER
100-305 VAC 50/60 Hz
CPWLD 35-xxU-yyzd
DC OUTPUT: mm-aaVDC @ bbbmA Tc: 90°C
CTRL= 0-10 VDC RoHS
AUX OUTPUT: 12VDC @ 100 or 200 mA

L1 CTRL+
L2 yywwC 000000000 GND(-)
REV: z AUX+

xx: Nominal voltage
yy: Nominal constant current (mA)
d: Auxiliary designation
mm: Minimum Voltage
aa: Open circuit or maximum voltage
bbb: Nominal constant current
yywwC: Date code yyww, followed by letter "C" for mfg location
z: Product revision

CITA Technologies, LLC
975 Deerfield Pkwy, Buffalo Grove, Illinois 60089, USA
T: 1-800-503-9180 or 1-847-419-9118 F: 1-847-419-1515
www.citacotech.com



Компания «ЭлектроПласт» предлагает заключение долгосрочных отношений при поставках импортных электронных компонентов на взаимовыгодных условиях!

Наши преимущества:

- Оперативные поставки широкого спектра электронных компонентов отечественного и импортного производства напрямую от производителей и с крупнейших мировых складов;
- Поставка более 17-ти миллионов наименований электронных компонентов;
- Поставка сложных, дефицитных, либо снятых с производства позиций;
- Оперативные сроки поставки под заказ (от 5 рабочих дней);
- Экспресс доставка в любую точку России;
- Техническая поддержка проекта, помощь в подборе аналогов, поставка прототипов;
- Система менеджмента качества сертифицирована по Международному стандарту ISO 9001;
- Лицензия ФСБ на осуществление работ с использованием сведений, составляющих государственную тайну;
- Поставка специализированных компонентов (Xilinx, Altera, Analog Devices, Intersil, Interpoint, Microsemi, Aeroflex, Peregrine, Syfer, Eurofarad, Texas Instrument, Miteq, Cobham, E2V, MA-COM, Hittite, Mini-Circuits, General Dynamics и др.);

Помимо этого, одним из направлений компании «ЭлектроПласт» является направление «Источники питания». Мы предлагаем Вам помощь Конструкторского отдела:

- Подбор оптимального решения, техническое обоснование при выборе компонента;
- Подбор аналогов;
- Консультации по применению компонента;
- Поставка образцов и прототипов;
- Техническая поддержка проекта;
- Защита от снятия компонента с производства.



Как с нами связаться

Телефон: 8 (812) 309 58 32 (многоканальный)

Факс: 8 (812) 320-02-42

Электронная почта: org@eplast1.ru

Адрес: 198099, г. Санкт-Петербург, ул. Калинина, дом 2, корпус 4, литера А.