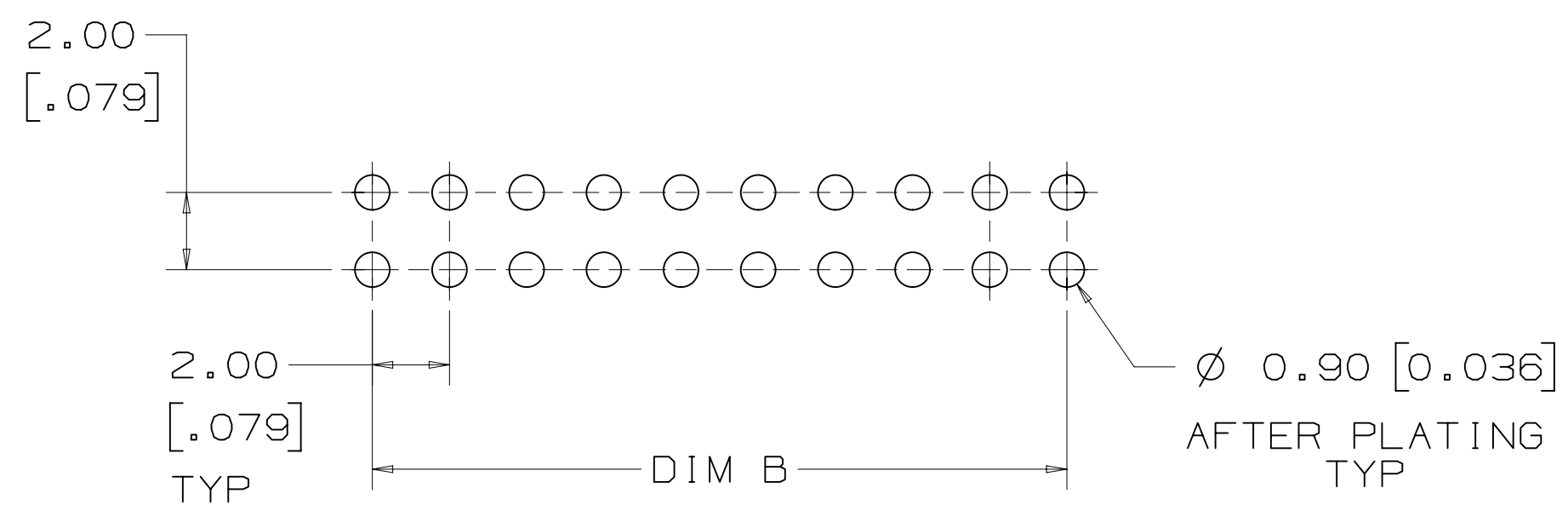
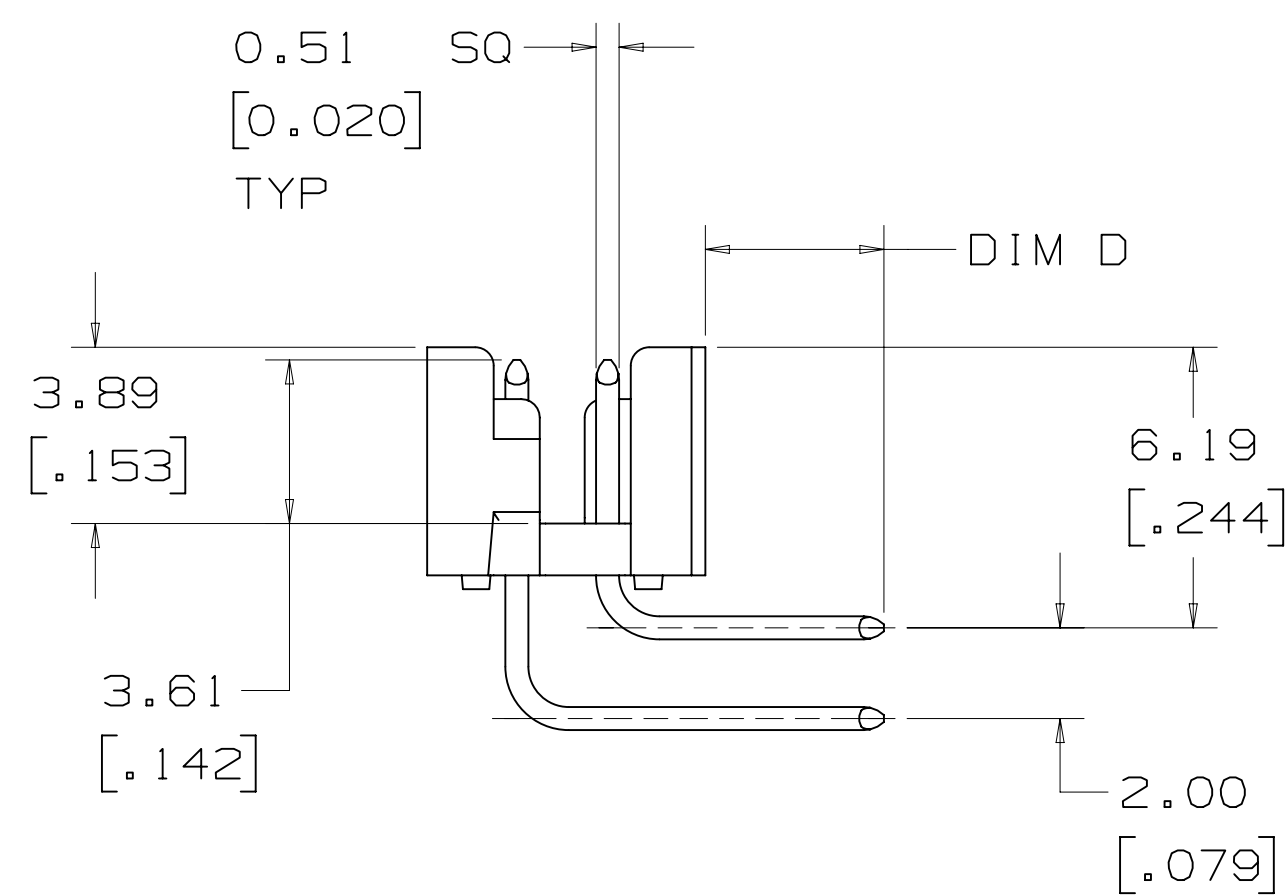
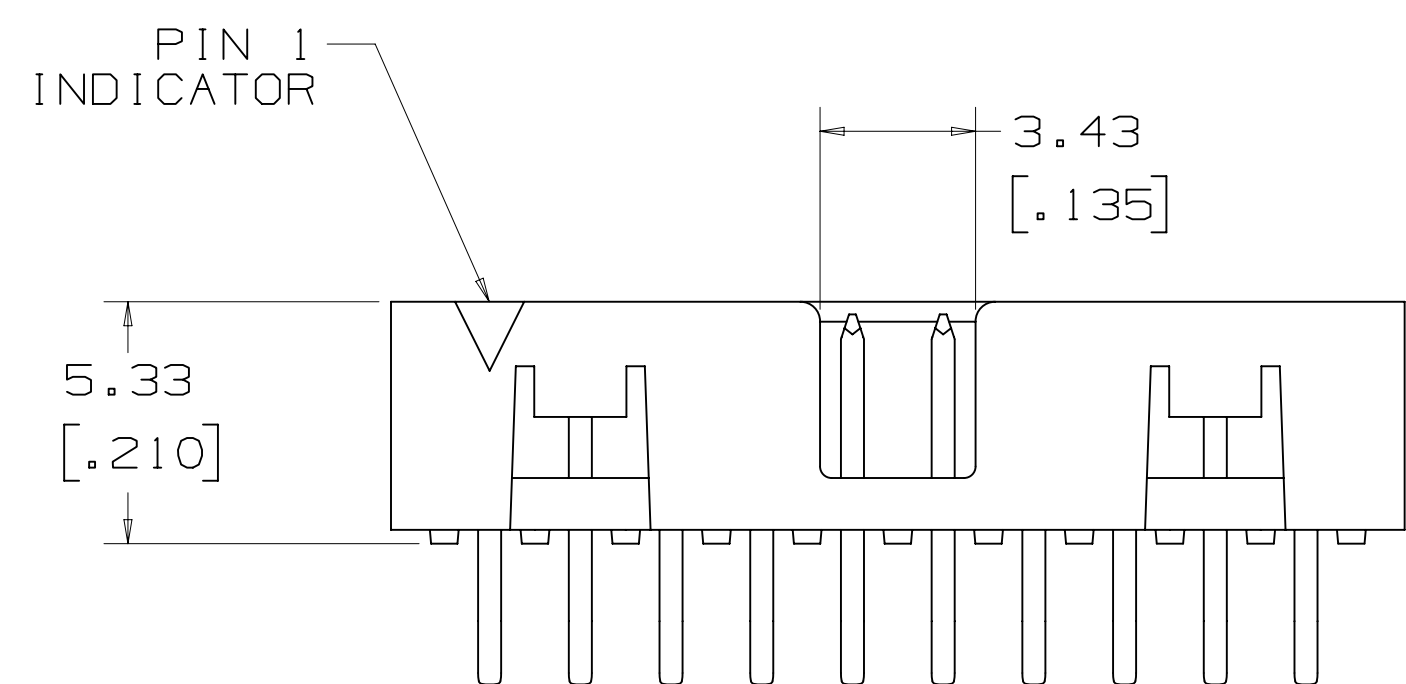
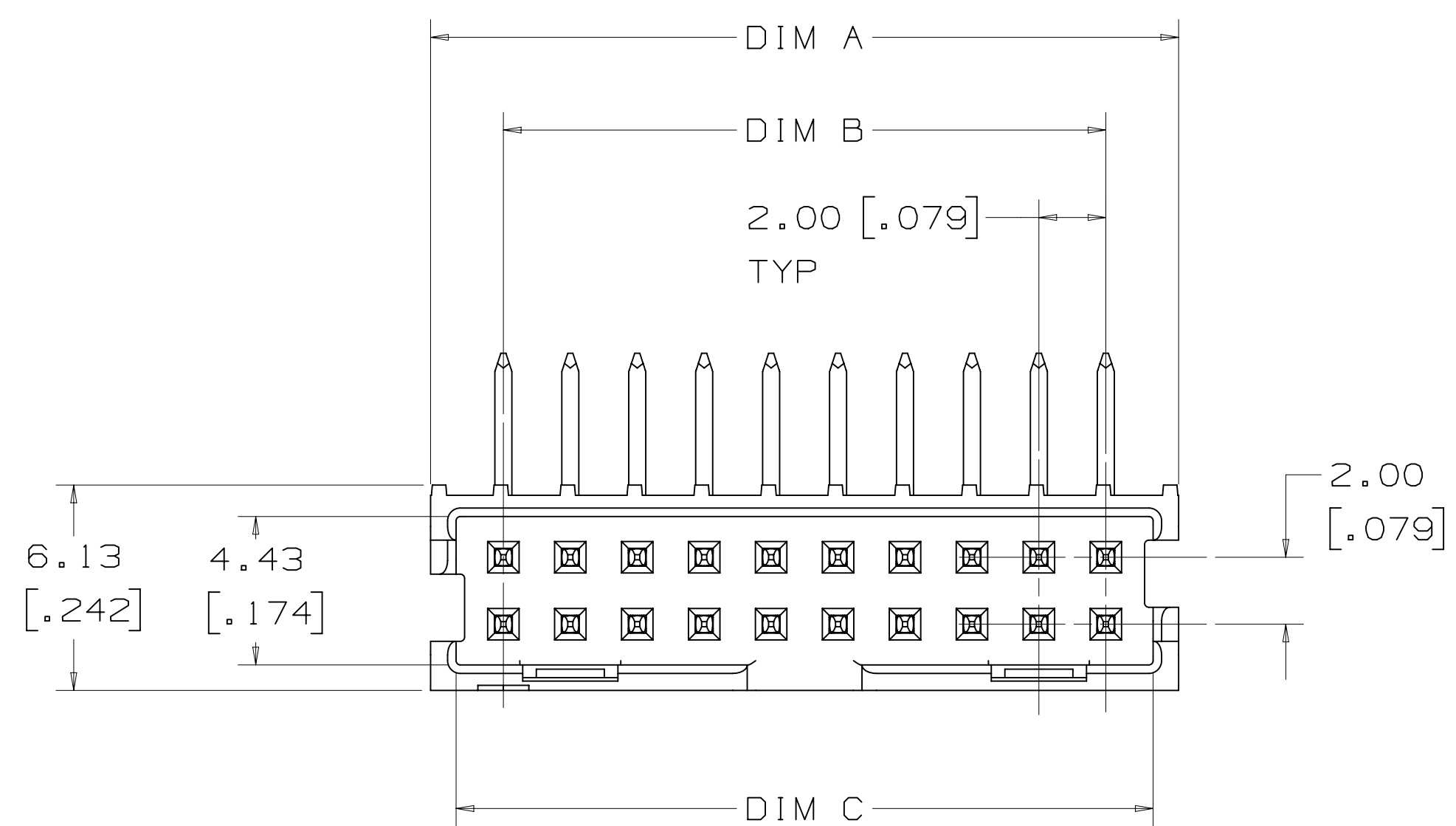
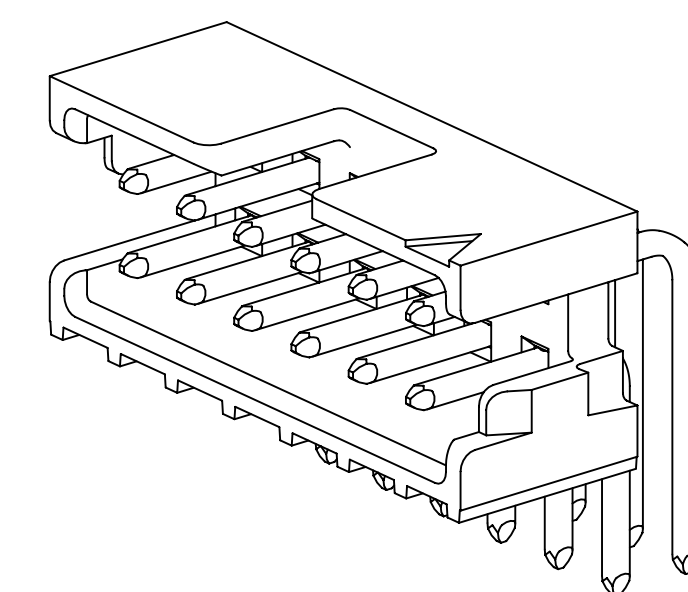


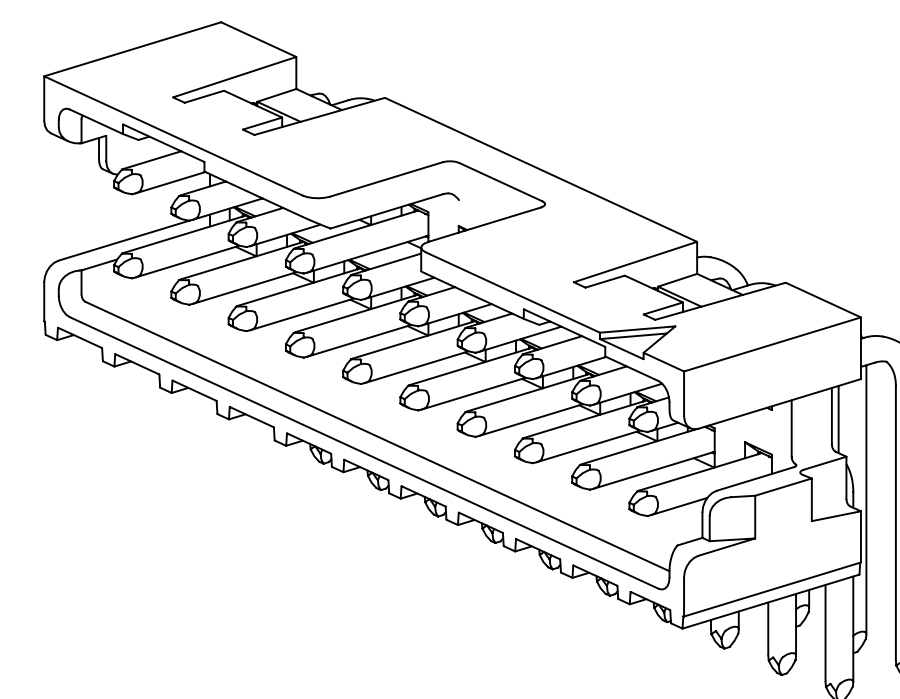
3M™ Shrouded Board Mount Header 2 mm X 2 mm Pitch 159 Series, Standard Length [3] and Extended Length [4]



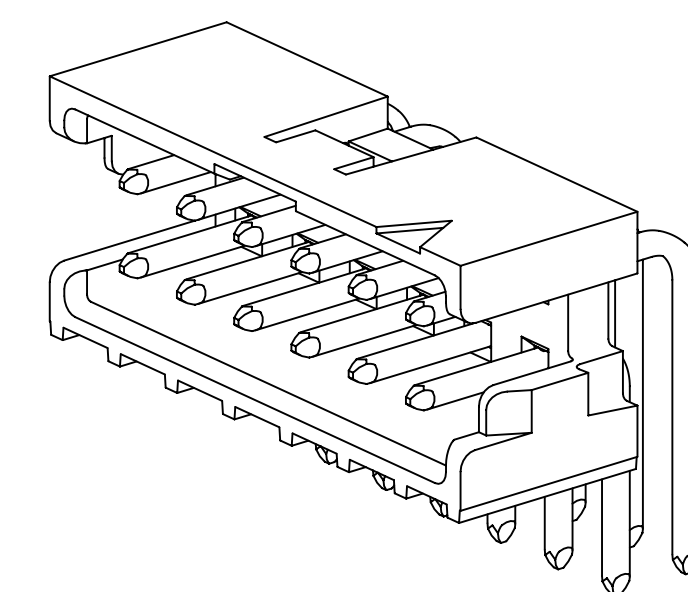
RECOMMENDED PCB HOLE PATTERN
TOLERANCE = ±0.05 [.002]



POLARIZATION SLOT
RIGHT ANGLE HEADER
6-12 POSITIONS ONLY



POLARIZATION SLOT AND
DUAL FRICTION LATCHES
RIGHT ANGLE HEADER
14-50 POSITIONS



SINGLE FRICTION LATCH
RIGHT ANGLE HEADER
6-12 POSITIONS ONLY

REFERENCE TABLE ON SHEET 5
FOR AVAILABLE POSITIONS AND
SOLDER TAIL LENGTHS

METRIC [ENGLISH]

REV	ECO	ISSUE DATE AND DESCRIPTION	DRFT	CHKD
D	41488	JUN 20, 2012 REVISED CURRENT RATING IN PERFORMANCE TABLE	LDS	SAN
C	39876	APR 18, 2012 REMOVED 32 POS FROM TABLE ON SHT 5	LDS	SAN
B	34080	MAY 18, 2011 ADDED 6.19 DIM ON SHT 2; REVISED & MOVED TABLE TO SHT 5	LDS	SF
A	30741	OCT 28, 2010 INITIAL RELEASE	LDS	SF

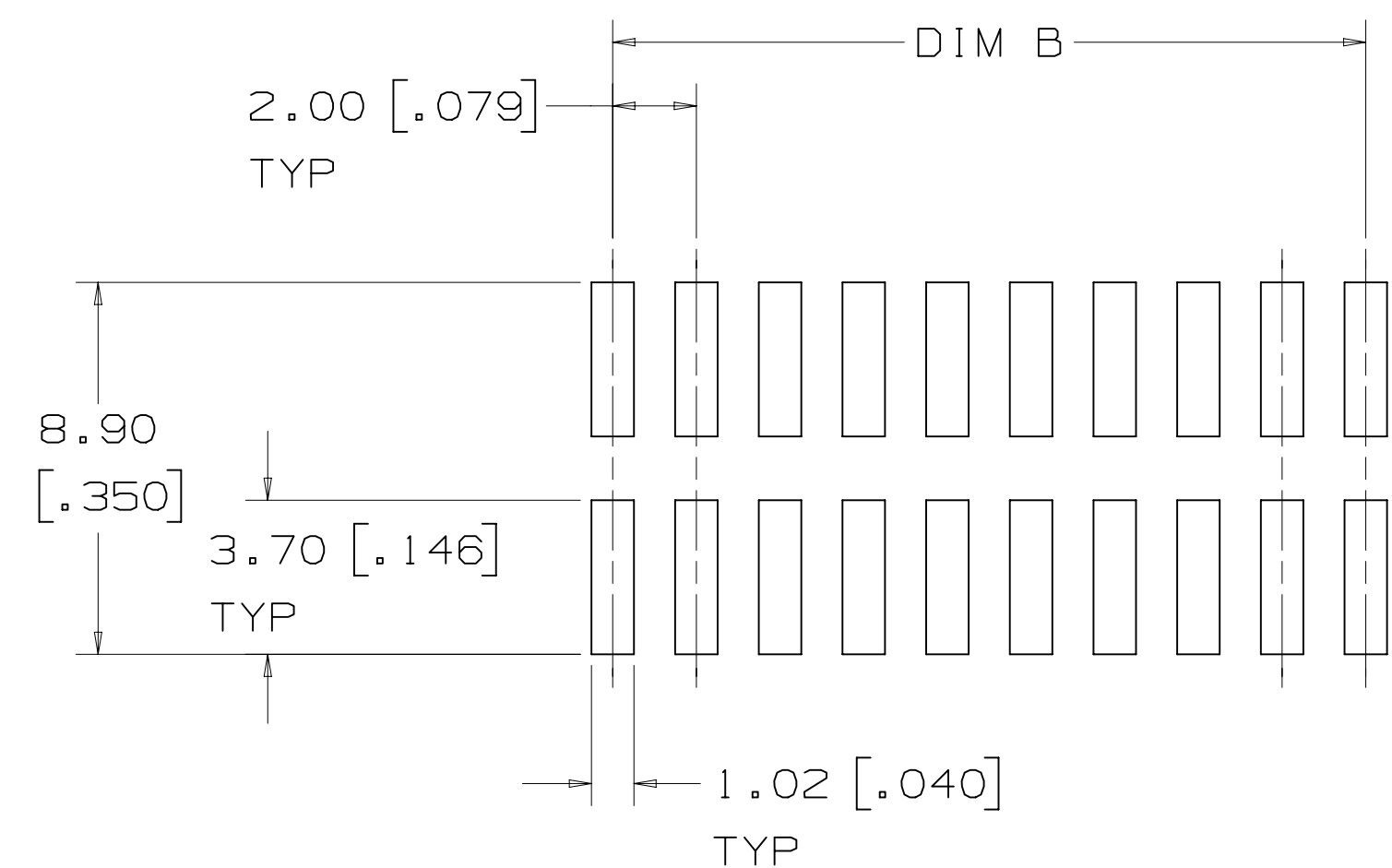
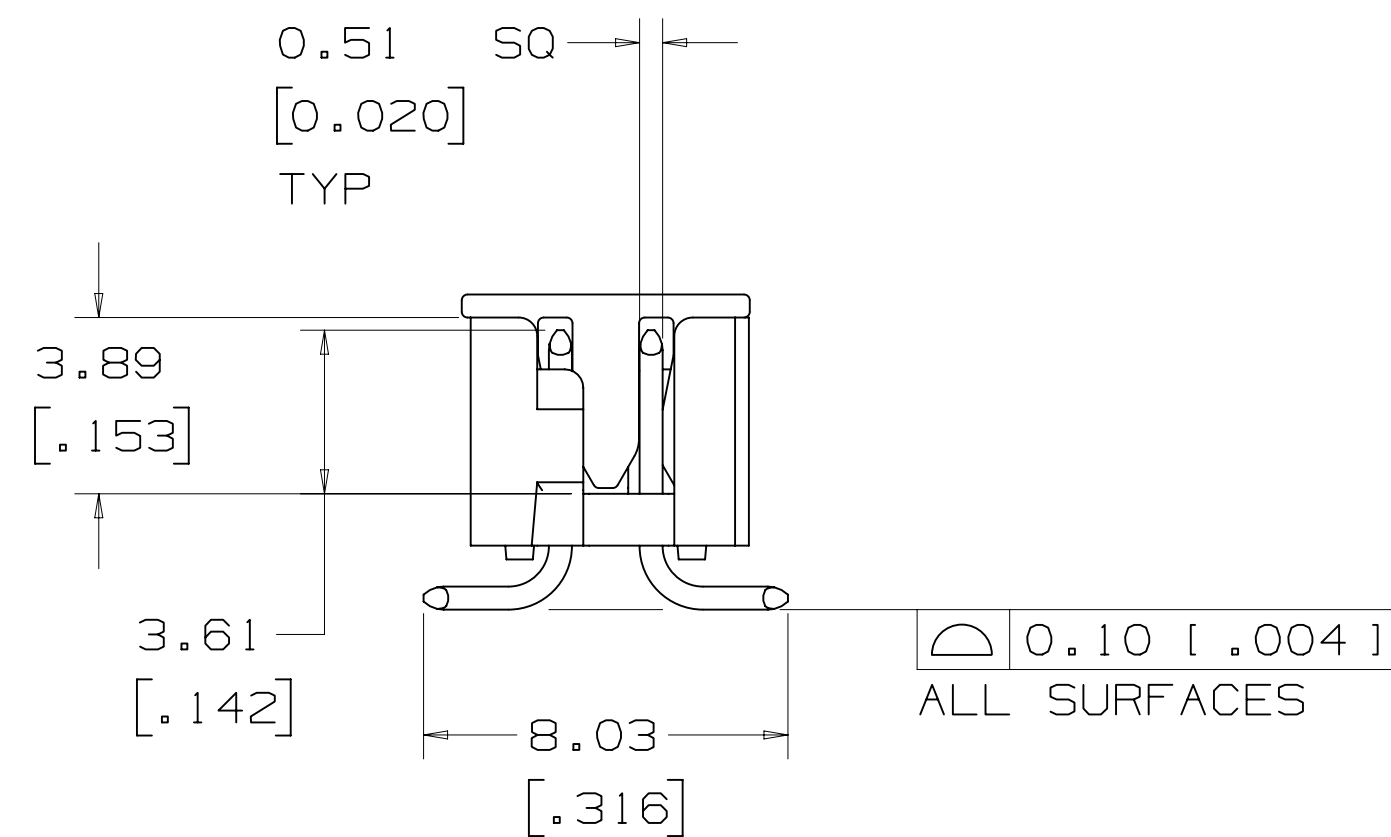
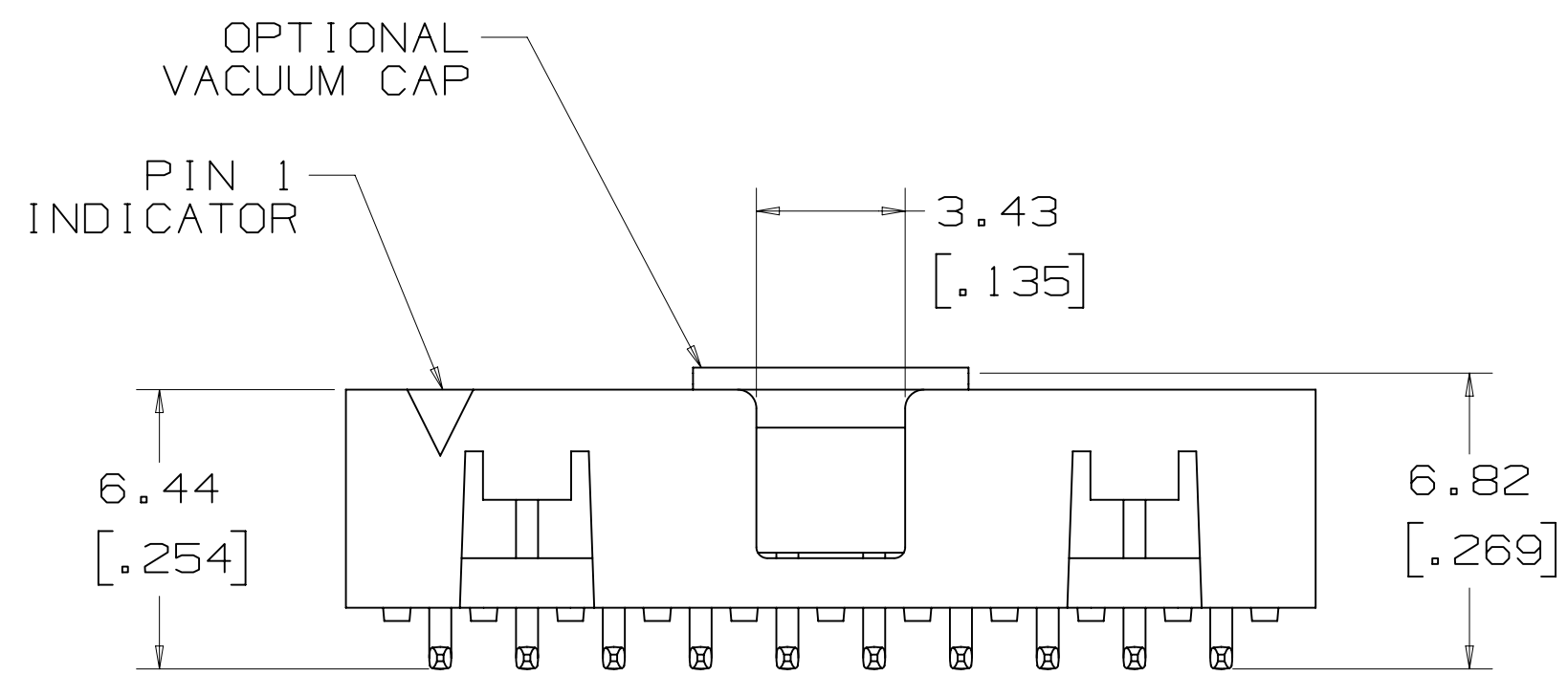
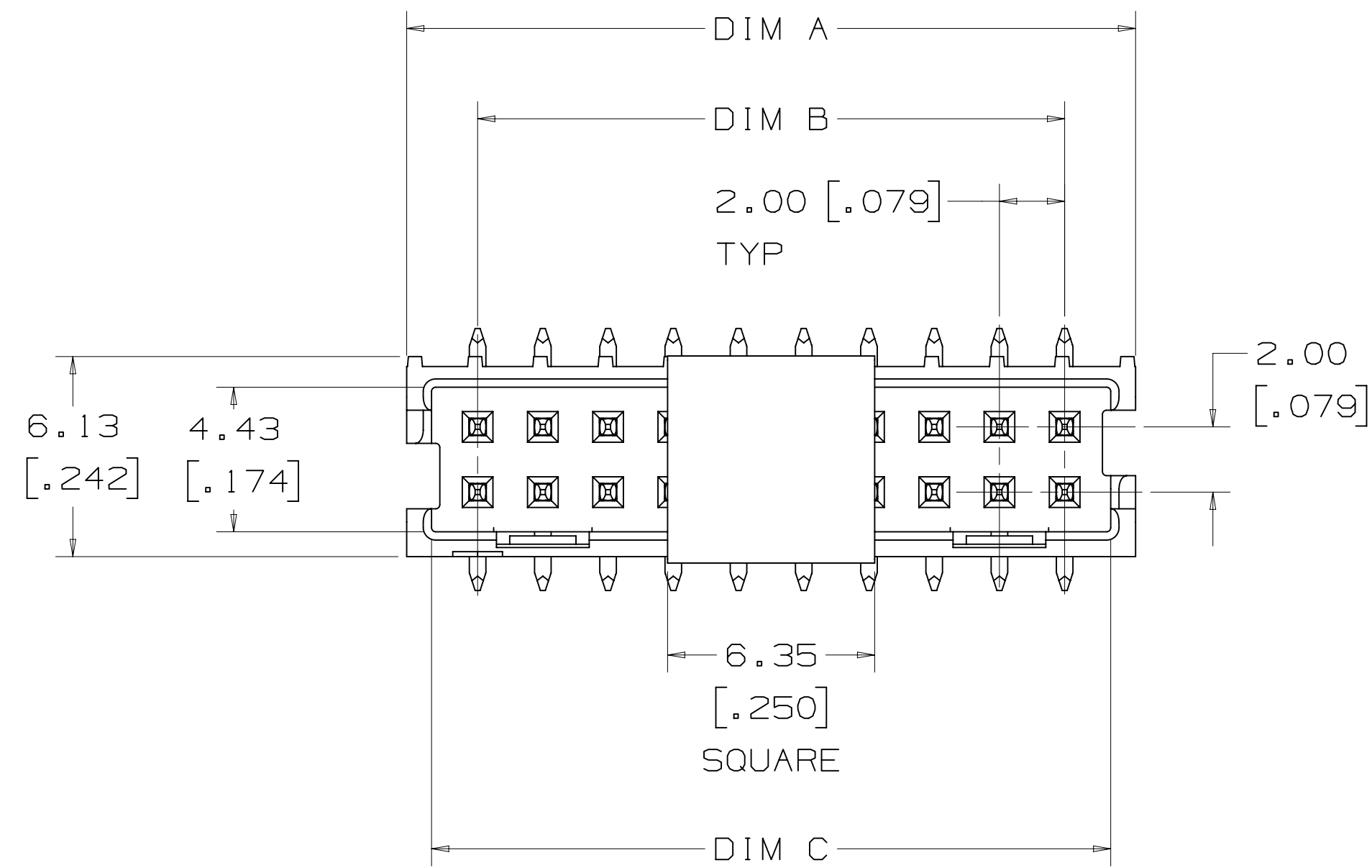
DESIGN REFERENCE	NEXT ASSEMBLY	REV	ECO	ISSUE DATE AND DESCRIPTION	DRFT	CHKD																								
DIVISION: SCALE: TOLERANCES EXCEPT AS NOTED:		DRFT: L. SCHMIDT DATE: JUL 29, 2010 MFG: DATE: APPR: S FELDMAN DATE: AUG 09, 2010																												
DO NOT SCALE DRAWING THIRD ANGLE PROJECTION INTERPRET PER ASME Y14.5 - 1994 MAX SURFACE ROUGHNESS: 125 ALL SURFACES MARKED ONLY		TOLERANCES EXCEPT AS NOTED: <table border="1"> <tr><td>INCHES</td><td>.00</td><td>+</td><td>.00</td></tr> <tr><td></td><td>.000</td><td>±</td><td>.000</td></tr> <tr><td></td><td>.0000</td><td>±</td><td>.0000</td></tr> </table> MILLIMETERS: <table border="1"> <tr><td></td><td>0</td><td>±</td><td>.13</td></tr> <tr><td></td><td>.00</td><td>±</td><td>.000</td></tr> <tr><td></td><td>.000</td><td>±</td><td>.000</td></tr> </table> ANGLES ±1°					INCHES	.00	+	.00		.000	±	.000		.0000	±	.0000		0	±	.13		.00	±	.000		.000	±	.000
INCHES	.00	+	.00																											
	.000	±	.000																											
	.0000	±	.0000																											
	0	±	.13																											
	.00	±	.000																											
	.000	±	.000																											
TITLE: 3M SHROUDED BOARD MOUNT HEADER 2 MM X 2 MM PITCH 159 SERIES		CAGE NUMBER: D78-5100-2359-7 DRAWING NO.: D REV.: D																												

78-5100-2359-7
DRAWING NUMBER

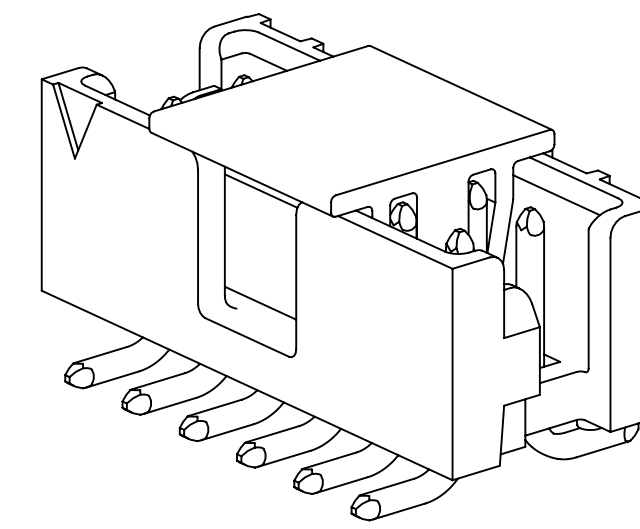
A

SHT 2 OF 5

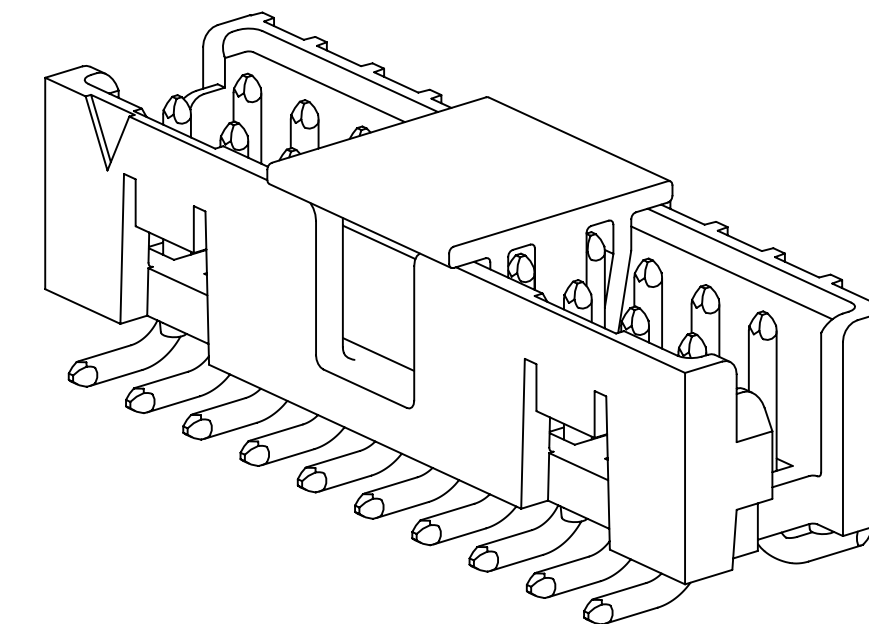
3M™ Shrouded Board Mount Header 2 mm X 2 mm Pitch 159 Series, Standard Length [3] and Extended Length [4]



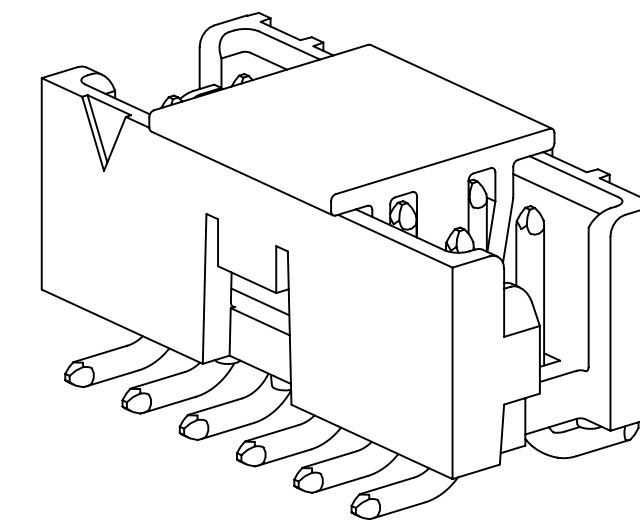
RECOMMENDED PCB PAD PATTERN
TOLERANCE = ±0.08 [.003]



POLARIZATION SLOT
SURFACE MOUNT HEADER
6-12 POSITIONS ONLY



POLARIZATION SLOT AND
DUAL FRICTION LATCHES
SURFACE MOUNT HEADER
14-50 POSITIONS



SINGLE FRICTION LATCH
SURFACE MOUNT HEADER
6-12 POSITIONS ONLY

REFERENCE TABLE ON SHEET 5
FOR AVAILABLE POSITIONS

METRIC (ENGLISH)

DESIGN REFERENCE	NEXT ASSEMBLY	REV	ECO	ISSUE DATE AND DESCRIPTION	DRFT	CHKD
		D	41488	JUN 20, 2012 REVISED CURRENT RATING IN PERFORMANCE TABLE	LDS	SAN
		C	39876	APR 18, 2012 REMOVED 32 POS FROM TABLE ON SHT 5	LDS	SAN
		B	34080	MAY 18, 2011 ADDED 6.19 DIM ON SHT 2; REVISED & MOVED TABLE TO SHT 5	LDS	SF
		A	30741	OCT 28, 2010 INITIAL RELEASE	LDS	SF

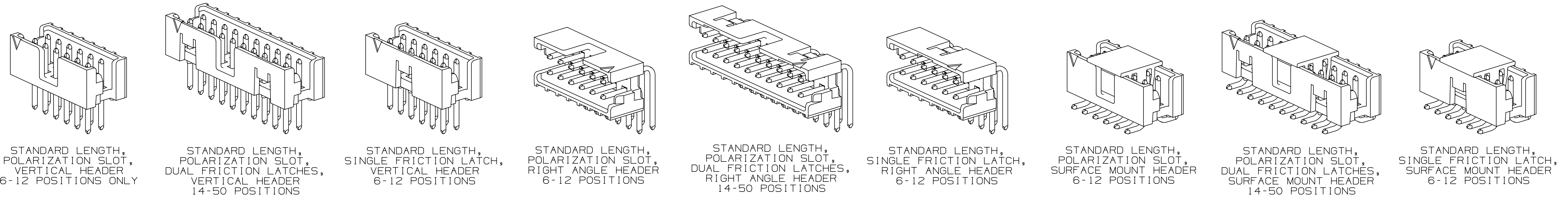
DESIGNER	DATE	APPV	DATE
L. SCHMIDT	JUL 29, 2010	S FELDMAN	AUG 09, 2010

DO NOT SCALE DRAWING	SCALE 4/1	TOLERANCES EXCEPT AS NOTED
THIRD ANGLE PROJECTION	INCHES	MILLIMETERS
MAX SURFACE ROUGHNESS 125	ALL SURFACES	ANGLES ±1°

		© 3M COPYRIGHT 2010 This document and the information it contains are 3M property and may not be reproduced or further distributed without 3M permission, or used or disclosed other than for 3M authorized purposes. All rights reserved.
TITLE 3M SHROUDED BOARD MOUNT HEADER 2 MM X 2 MM PITCH 159 SERIES		
CAGE NUMBER	SIZE	DRAWING NO.
D	78-5100	2359-7
REV.	SHT 3 OF 5	

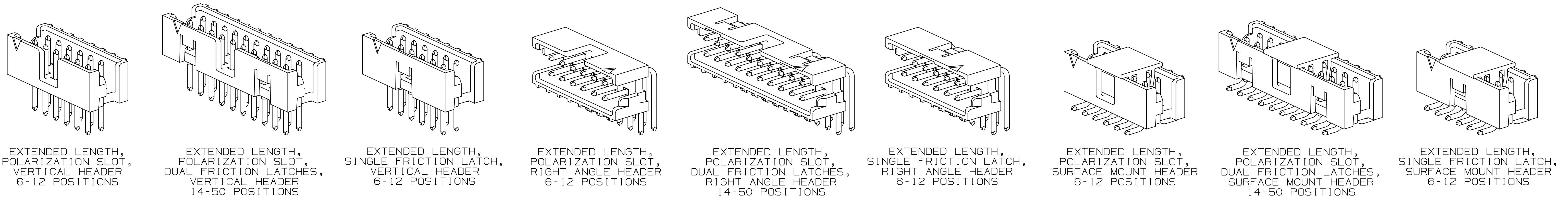
3M™ Shrouded Board Mount Header 2 mm X 2 mm Pitch 159 Series, Standard Length 3

STANDARD LENGTH HEADERS ARE AVAILABLE



3M™ Shrouded Board Mount Header 2 mm X 2 mm Pitch 159 Series, Extended Length 4

CALL 3M INTERCONNECT SOLUTIONS AT 800-225-5373 FOR AVAILABILITY OF EXTENDED LENGTH HEADERS



ORDERING INFORMATION

TIER 1 - BEST
 1591XX-XXXX

TIER 1 = BEST 0.76 μm [30 μin] GOLD

CONTACT TAIL LENGTH
 2 = 2.84 mm [.112]
 3 = 3.94 mm [.155]

POLARIZATION/LATCHING
 0 = POLARIZATION SLOT AND DUAL FRICTION LATCHES (14-50 POSITIONS ONLY)
 1 = POLARIZATION SLOT (6-12 POSITIONS ONLY)
 2 = SINGLE FRICTION LATCH (6-12 POSITIONS ONLY)

PART CONFIGURATION
 2 = VERTICAL SMT
 5 = RIGHT ANGLE THRU HOLE
 6 = VERTICAL THRU HOLE

BODY LENGTH
 0 = STANDARD LENGTH (MATES TO 158 SERIES)
 1 = EXTENDED LENGTH (MATES TO 870 SERIES)

POSITION COUNT (SEE TABLE)

TIER 2 - BETTER
 1592XX-XXXX

TIER 2 = BETTER 0.38 μm [15 μin] GOLD

CONTACT TAIL LENGTH
 2 = 2.84 mm [.112]
 3 = 3.94 mm [.155]

POLARIZATION/LATCHING
 0 = POLARIZATION SLOT AND DUAL FRICTION LATCHES (14-50 POSITIONS ONLY)
 1 = POLARIZATION SLOT (6-12 POSITIONS ONLY)
 2 = SINGLE FRICTION LATCH (6-12 POSITIONS ONLY)

PART CONFIGURATION
 2 = VERTICAL SMT
 5 = RIGHT ANGLE THRU HOLE
 6 = VERTICAL THRU HOLE

BODY LENGTH
 0 = STANDARD LENGTH (MATES TO 158 SERIES)
 1 = EXTENDED LENGTH (MATES TO 870 SERIES)

POSITION COUNT (SEE TABLE)

METRIC (ENGLISH)

DESIGN REFERENCE	NEXT ASSEMBLY	REV	ECO	ISSUE DATE AND DESCRIPTION	DRFT	CHKD
1591XX-XXXX		L. SCHMIDT		JUL 29, 2010		
DIVISION	DIVISION CODE	APPR	DATE	MFG	DATE	
		S FELDMAN			AUG 09, 2010	
DO NOT SCALE DRAWING	SCALE 4/1	TOLERANCES EXCEPT AS NOTED				
THIRD ANGLE PROJECTION		INCHES .00 ± .000 ± .0000 ±		MILLIMETERS 0 ± .00 ± .00 ± 0.13 .000 ±		
INTERPRET PER ASME Y14.5 - 1994		MAX SURFACE ROUGHNESS 125 □ ALL SURFACES ✓ MARKED ONLY		ANGLES ±1°		
CAGE NUMBER		SIZE	DRAWING NO.	REV.		
D 125			D 78-5100-2359-7	D		
MODEL		DET [] IS [] YES [] NO [] SHT 4 OF 5				


D	41488	JUN 20, 2012	LDS	SAN
REVISED CURRENT RATING IN PERFORMANCE TABLE				
C	39876	APR 18, 2012	LDS	SAN
REMOVED 32 POS FROM TABLE ON SHT 5				
B	34080	MAY 18, 2011	LDS	SF
ADDED 6.19 DIM ON SHT 2; REVISED & MOVED TABLE TO SHT 5				
A	30741	OCT 28, 2010	LDS	SF
INITIAL RELEASE				

78-5100-2359-7

3M™ Shrouded Board Mount Header 2 mm X 2 mm Pitch 159 Series, Standard Length 3 and Extended Length 4

SHROUDED BOX HEADER							
NUMBER OF POSITIONS	DIM A		DIM B	DIM C		DIM D	
	STANDARD	EXTENDED		STANDARD	EXTENDED		
6	8.35 [.329]	9.52 [.375]	4.00 [.157]	6.83 [.269]	7.99 [.315]	2.84 [.112]	3.94 [.155]
8	10.35 [.407]	11.52 [.453]	6.00 [.236]	8.83 [.347]	9.99 [.393]	2.84 [.112]	3.94 [.155]
10	12.35 [.486]	13.52 [.532]	8.00 [.315]	10.83 [.426]	11.99 [.472]	2.84 [.112]	3.94 [.155]
12	14.35 [.565]	15.52 [.611]	10.00 [.394]	12.83 [.505]	13.99 [.551]	2.84 [.112]	3.94 [.155]
14	16.35 [.644]	17.52 [.690]	12.00 [.472]	14.83 [.584]	15.99 [.630]	2.84 [.112]	3.94 [.155]
16	18.35 [.722]	19.52 [.768]	14.00 [.551]	16.83 [.662]	17.99 [.708]	2.84 [.112]	3.94 [.155]
20	22.35 [.880]	23.52 [.926]	18.00 [.709]	20.83 [.820]	21.99 [.866]	2.84 [.112]	3.94 [.155]
22	24.35 [.959]	25.52 [1.005]	20.00 [.787]	22.83 [.899]	23.99 [.945]	2.84 [.112]	3.94 [.155]
24	26.35 [1.037]	27.52 [1.083]	22.00 [.866]	24.83 [.977]	25.99 [1.023]	2.84 [.112]	3.94 [.155]
26	28.35 [1.116]	29.52 [1.162]	24.00 [.945]	26.83 [1.056]	27.99 [1.102]	2.84 [.112]	3.94 [.155]
30	32.35 [1.274]	33.52 [1.320]	28.00 [1.102]	30.83 [1.214]	31.99 [1.260]	2.84 [.112]	3.94 [.155]
34	36.35 [1.431]	37.52 [1.477]	32.00 [1.260]	34.83 [1.371]	35.99 [1.417]	2.84 [.112]	3.94 [.155]
40	42.35 [1.667]	43.52 [1.713]	38.00 [1.496]	40.83 [1.607]	41.99 [1.653]	2.84 [.112]	3.94 [.155]
44	46.35 [1.825]	47.52 [1.871]	42.00 [1.654]	44.83 [1.765]	45.99 [1.811]	2.84 [.112]	3.94 [.155]
50	52.35 [2.061]	53.52 [2.107]	48.00 [1.890]	50.83 [2.001]	51.99 [2.047]	2.84 [.112]	3.94 [.155]

METRIC [ENGLISH]

DESIGN REFERENCE	NEXT ASSEMBLY	REV	ECO	ISSUE DATE AND DESCRIPTION	DRFT	CHKD
DISTRICT CODES		DRP	DATE	MFG	DATE	
		L. SCHMIDT	JUL 29, 2010			
DIVISION	DIVISION CODE	CHKD	DATE	APPR	DATE	
				S FELDMAN	AUG 09, 2010	
DO NOT SCALE DRAWING	SCALE 1/1	TOLERANCES EXCEPT AS NOTED		 © 3M COPYRIGHT 2010 This document and the information it contains are 3M property and may not be reproduced or further distributed without 3M permission, or used or disclosed other than for 3M authorized purposes. All rights reserved.		
THIRD ANGLE PROJECTION	INTERPRET PER ASME Y14.5 - 1994	MILLIMETERS		TITLE		
		0 ±		3M SHROUDED BOARD MOUNT HEADER 2 MM X 2 MM PITCH 159 SERIES		
MAX SURFACE ROUGHNESS	125	.00 ± 0.13		CAGE NUMBER	SIZE	DRAWING NO.
<input checked="" type="checkbox"/> ALL SURFACES	<input checked="" type="checkbox"/> MARKED ONLY	ANGLES ±1°		D 78-5100-2359-7	D	
				MODEL	DET	SHT 5 OF 5
					<input type="checkbox"/> YES <input checked="" type="checkbox"/> NO	

78-5100-2359-7 DRAWING NUMBER



Компания «ЭлектроПласт» предлагает заключение долгосрочных отношений при поставках импортных электронных компонентов на взаимовыгодных условиях!

Наши преимущества:

- Оперативные поставки широкого спектра электронных компонентов отечественного и импортного производства напрямую от производителей и с крупнейших мировых складов;
- Поставка более 17-ти миллионов наименований электронных компонентов;
- Поставка сложных, дефицитных, либо снятых с производства позиций;
- Оперативные сроки поставки под заказ (от 5 рабочих дней);
- Экспресс доставка в любую точку России;
- Техническая поддержка проекта, помощь в подборе аналогов, поставка прототипов;
- Система менеджмента качества сертифицирована по Международному стандарту ISO 9001;
- Лицензия ФСБ на осуществление работ с использованием сведений, составляющих государственную тайну;
- Поставка специализированных компонентов (Xilinx, Altera, Analog Devices, Intersil, Interpoint, Microsemi, Aeroflex, Peregrine, Syfer, Eurofarad, Texas Instrument, Miteq, Cobham, E2V, MA-COM, Hittite, Mini-Circuits, General Dynamics и др.);

Помимо этого, одним из направлений компании «ЭлектроПласт» является направление «Источники питания». Мы предлагаем Вам помощь Конструкторского отдела:

- Подбор оптимального решения, техническое обоснование при выборе компонента;
- Подбор аналогов;
- Консультации по применению компонента;
- Поставка образцов и прототипов;
- Техническая поддержка проекта;
- Защита от снятия компонента с производства.



Как с нами связаться

Телефон: 8 (812) 309 58 32 (многоканальный)

Факс: 8 (812) 320-02-42

Электронная почта: org@eplast1.ru

Адрес: 198099, г. Санкт-Петербург, ул. Калинина, дом 2, корпус 4, литера А.