



PRELIMINARY

**PSoC[®] Analog Coprocessor:
CY8C4Axx Family Datasheet**

Programmable System-on-Chip (PSoC[®])

General Description

Cypress's PSoC[®] Analog Coprocessor is a scalable and reconfigurable platform architecture of programmable analog coprocessors that simplify designing embedded systems with multiple sensors. The PSoC Analog Coprocessor device combines PSoC's flexible Analog Front Ends, programmable analog filters, and high-resolution analog-to-digital converters along with an efficient yet powerful 32-bit ARM[®] Cortex[®]-M0+ based signal processing engine – enabling host processors to easily fetch aggregated, pre-processed, and formatted complex sensor data over serial communication interfaces.

Features

Programmable Analog Blocks

- A switched-capacitor Universal Analog Block (UAB) programmable via PSoC Creator as a second-order analog filter, a 14-bit Incremental Delta-Sigma ADC, or a 13-bit Voltage DAC
- Two dedicated analog-to-digital converters (ADC) including a 12-bit SAR ADC and a 10-bit single-slope ADC
- Four opamps, two low-power comparators, and a flexible 38-channel analog mux to create custom Analog Front Ends (AFE)
- Two 7-bit Current DACs (IDACs) for general-purpose or capacitive sensing applications on any pin

CapSense[®] Capacitive Sensing

- Cypress's fourth-generation CapSense Sigma-Delta (CSD) providing best-in-class signal-to-noise ratio (SNR) and water tolerance
- Cypress-supplied software component makes capacitive sensing design easy
- Automatic hardware tuning (SmartSense™)

Segment LCD Drive

- LCD drive supported on all pins (common or segment)
- Operates in Deep-Sleep mode with four bits per pin memory

Programmable Digital Peripherals

- Three independent serial communication blocks (SCBs) that are run-time configurable as I2C, SPI or UART
- Eight 16-bit timer/counter/pulse-width modulator (TCPWM) blocks with center-aligned, edge, and pseudo-random modes

32-bit Signal Processing Engine

- ARM Cortex-M0+ CPU up to 48 MHz
- Up to 32 KB of flash with read accelerator
- Up to 4 KB of SRAM
- Eight-channel descriptor-based DMA controller

Low-Power Operation

- 1.71-V to 5.5-V operation
- Deep-Sleep mode with operational analog and 2.5-µA digital system current
- Watch Crystal Oscillator (WCO)

Programmable GPIO Pins

- Up to 38 GPIOs that can be used for analog, digital, CapSense, or LCD functions with programmable drive modes, strength and slew rates
- Includes eight Smart I/Os to implement pin-level Boolean operations on input and output signals
- 48-pin QFN, 48-pin TQFP, 28-pin SSOP, and 45-ball WLCSP packages

PSoC Creator Design Environment

- Integrated Design Environment (IDE) provides schematic-capture design entry and build (with automatic routing of analog and digital signals) and concurrent firmware development with an ARM-SWD debugger
- GUI-based configurable PSoC Components with fully engineered embedded initialization, calibration and correction algorithms
- Application Programming Interfaces (API) for all fixed-function and programmable peripherals

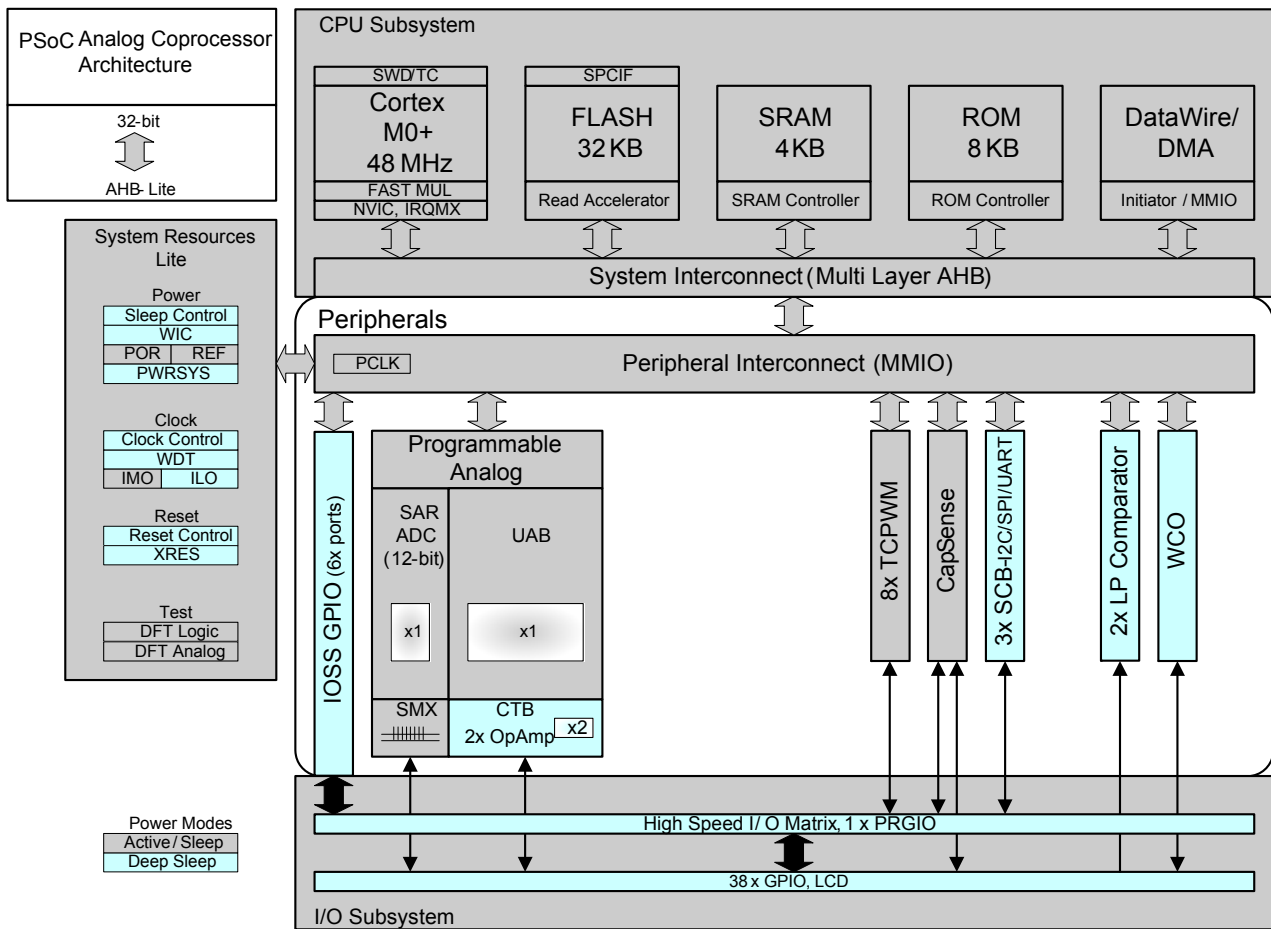
Industry-Standard Tool Compatibility

- After schematic-capture, firmware development can be done with ARM-based industry-standard development tools

Contents

| | | | |
|--|-----------|--|-----------|
| Functional Definition | 4 | Memory | 30 |
| CPU and Memory Subsystem | 4 | System Resources | 30 |
| System Resources | 4 | Ordering Information | 33 |
| Analog Blocks..... | 5 | Packaging | 35 |
| Fixed Function Digital..... | 6 | Package Diagrams | 36 |
| GPIO | 6 | Acronyms | 38 |
| Special Function Peripherals..... | 7 | Document Conventions | 40 |
| WLCSP Package Bootloader | 7 | Units of Measure | 40 |
| Pinouts | 8 | Errata | 41 |
| Alternate Pin Functions | 10 | Part Numbers Affected | 41 |
| Power | 12 | PSoC Analog Coprocessor Qualification Status | 41 |
| Mode 1: 1.8 V to 5.5 V External Supply | 12 | PSoC Analog Coprocessor Errata Summary | 41 |
| Development Support | 13 | Revision History | 42 |
| Documentation | 13 | Sales, Solutions, and Legal Information | 43 |
| Online | 13 | Worldwide Sales and Design Support..... | 43 |
| Tools..... | 13 | Products | 43 |
| Electrical Specifications | 14 | PSoC® Solutions | 43 |
| Absolute Maximum Ratings..... | 14 | Cypress Developer Community..... | 43 |
| Device Level Specifications..... | 14 | Technical Support | 43 |
| Analog Peripherals | 18 | | |
| Digital Peripherals | 28 | | |

Figure 1. Block Diagram



PSoC Analog Coprocessor devices include extensive support for programming, testing, debugging, and tracing both hardware and firmware.

The ARM Serial-Wire Debug (SWD) interface supports all programming and debug features of the device.

Complete debug-on-chip functionality enables full-device debugging in the final system using the standard production device. It does not require special interfaces, debugging pods, simulators, or emulators. Only the standard programming connections are required to fully support debug.

The PSoC Creator IDE provides fully integrated programming and debug support for the PSoC Analog Coprocessor devices. The SWD interface is fully compatible with industry-standard third-party tools. The PSoC Analog Coprocessor family provides a level of security not possible with multi-chip application solutions or with microcontrollers. It has the following advantages:

- Allows disabling of debug features
- Robust flash protection
- Allows customer-proprietary functionality to be implemented in on-chip programmable blocks

The debug circuits are enabled by default and can be disabled in firmware. If they are not enabled, the only way to re-enable them is to erase the entire device, clear flash protection, and reprogram the device with new firmware that enables debugging. Thus firmware control of debugging cannot be over-ridden without erasing the firmware thus providing security.

Additionally, all device interfaces can be permanently disabled (device security) for applications concerned about phishing attacks due to a maliciously reprogrammed device or attempts to defeat security by starting and interrupting flash programming sequences. All programming, debug, and test interfaces are disabled when maximum device security is enabled. Therefore, PSoC Analog Coprocessor, with device security enabled, may not be returned for failure analysis. This is a trade-off the PSoC Analog Coprocessor allows the customer to make.

Functional Definition

CPU and Memory Subsystem

CPU

The Cortex-M0+ CPU in the PSoC Analog Coprocessor is part of the 32-bit MCU subsystem, which is optimized for low-power operation with extensive clock gating. Most instructions are 16 bits in length and the CPU executes a subset of the Thumb-2 instruction set. It includes a nested vectored interrupt controller (NVIC) block with eight interrupt inputs and also includes a Wakeup Interrupt Controller (WIC). The WIC can wake the processor from Deep Sleep mode, allowing power to be switched off to the main processor when the chip is in Deep Sleep mode.

The CPU also includes a debug interface, the serial wire debug (SWD) interface, which is a two-wire form of JTAG. The debug configuration used for PSoC Analog Coprocessor has four breakpoint (address) comparators and two watchpoint (data) comparators.

DMA/DataWire

The DMA engine will be capable of doing independent data transfers anywhere within the memory map via a user-programmable descriptor chain. The DataWire capability is used to effect single-element transfers from one location in memory to another. There are eight DMA channels with a range of selectable trigger sources.

Flash

The PSoC Analog Coprocessor device has a flash module with a flash accelerator, tightly coupled to the CPU to improve average access times from the flash block. The low-power flash block is designed to deliver two wait-state (WS) access time at 48 MHz. The flash accelerator delivers 85% of single-cycle SRAM access performance on average.

SRAM

Four KB of SRAM are provided with zero wait-state access at 48 MHz.

SROM

Eight KB of SROM are provided that contain boot and configuration routines.

System Resources

Power System

The power system is described in detail in the section [Power on page 12](#). It provides an assurance that voltage levels are as required for each respective mode and either delays mode entry (for example, on power-on reset (POR) until voltage levels are as required for proper functionality, or generates resets (for example, on brown-out detection). The PSoC Analog Coprocessor operates with a single external supply over the range of either 1.8 V \pm 5% (externally regulated) or 1.8 to 5.5 V (internally regulated) and has three different power modes, transitions between which are managed by the power system. The PSoC Analog Coprocessor provides Active, Sleep, and Deep Sleep low-power modes.

All subsystems are operational in Active mode. The CPU subsystem (CPU, flash, and SRAM) is clock-gated off in Sleep

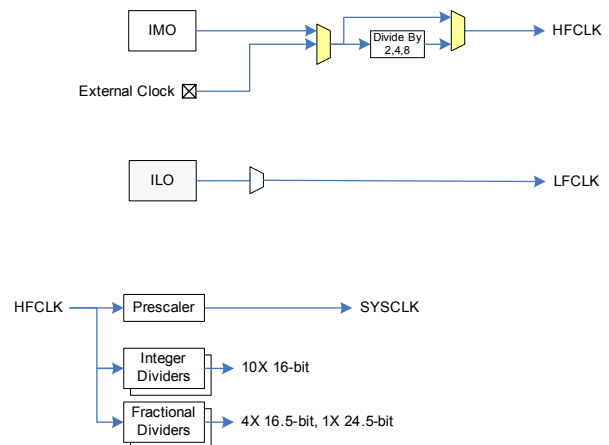
mode, while all peripherals and interrupts are active with instantaneous wake-up on a wake-up event. In Deep Sleep mode, the high-speed clock and associated circuitry is switched off; wake-up from this mode takes 35 μ s. The opamps can remain operational in Deep Sleep mode.

Clock System

The PSoC Analog Coprocessor clock system is responsible for providing clocks to all subsystems that require clocks and for switching between different clock sources without glitching. In addition, the clock system ensures that there are no metastable conditions.

The clock system for the PSoC Analog Coprocessor consists of the internal main oscillator (IMO), internal low-frequency oscillator (ILO), a 32 kHz Watch Crystal Oscillator (WCO) and provision for an external clock. Clock dividers are provided to generate clocks for peripherals on a fine-grained basis. Fractional dividers are also provided to enable clocking of higher data rates for UARTs.

Figure 2. PSoC Analog Coprocessor MCU Clocking Architecture



The HFCLK signal can be divided down to generate synchronous clocks for the analog and digital peripherals. There are 15 clock dividers for the PSoC Analog Coprocessor. The 16-bit capability allows flexible generation of fine-grained frequency values (there is one 24-bit divider for large divide ratios), and is fully supported in PSoC Creator.

IMO Clock Source

The IMO is the primary source of internal clocking in the PSoC Analog Coprocessor. It is trimmed during testing to achieve the specified accuracy. The IMO default frequency is 24 MHz and it can be adjusted from 24 to 48 MHz in steps of 4 MHz. The IMO tolerance with Cypress-provided calibration settings is \pm 2%.

ILO Clock Source

The ILO is a very low power, nominally 40-kHz oscillator, which is primarily used to generate clocks for the watchdog timer (WDT) and peripheral operation in Deep Sleep mode. ILO-driven counters can be calibrated to the IMO to improve accuracy. Cypress provides a software component, which does the calibration.

Watch Crystal Oscillator (WCO)

The PSoC Analog Coprocessor clock subsystem also implements a low-frequency (32-kHz watch crystal) oscillator that can be used for precision timing applications.

Watchdog Timer

A watchdog timer is implemented in the clock block running from the ILO; this allows watchdog operation during Deep Sleep and generates a watchdog reset if not serviced before the set timeout occurs. The watchdog reset is recorded in a Reset Cause register, which is firmware readable.

Reset

The PSoC Analog Coprocessor can be reset from a variety of sources including a software reset. Reset events are asynchronous and guarantee reversion to a known state. The reset cause is recorded in a register, which is sticky through reset and allows software to determine the cause of the reset. An XRES pin is reserved for external reset by asserting it active low. The XRES pin has an internal pull-up resistor that is always enabled.

Voltage Reference

The PSoC Analog Coprocessor reference system generates all internally required references. A 1.2-V voltage reference is provided for the comparator. The IDACs are based on a ±5% reference.

Analog Blocks

12-bit SAR ADC

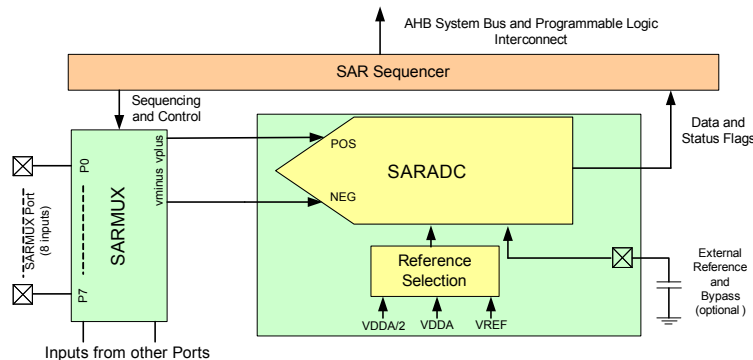
The 12-bit, 1-Msps SAR ADC can operate at a maximum clock rate of 18 MHz and requires a minimum of 18 clocks at that frequency to do a 12-bit conversion.

The Sample-and-Hold (S/H) aperture is programmable allowing the gain bandwidth requirements of the amplifier driving the SAR inputs, which determine its settling time, to be relaxed if required. It is possible to provide an external bypass (through a fixed pin location) for the internal reference amplifier.

The SAR is connected to a fixed set of pins through an 8-input sequencer. The sequencer cycles through selected channels autonomously (sequencer scan) with zero switching overhead (that is, aggregate sampling bandwidth is equal to 1 Msps whether it is for a single channel or distributed over several channels). The sequencer switching is effected through a state machine or through firmware driven switching. A feature provided by the sequencer is buffering of each channel to reduce CPU interrupt service requirements. To accommodate signals with varying source impedance and frequency, it is possible to have different sample times programmable for each channel. Also, signal range specification through a pair of range registers (low and high range values) is implemented with a corresponding out-of-range interrupt if the digitized value exceeds the programmed range; this allows fast detection of out-of-range values without the necessity of having to wait for a sequencer scan to be completed and the CPU to read the values and check for out-of-range values in software.

The SAR is not available in Deep Sleep mode as it requires a high-speed clock (up to 18 MHz). The SAR operating range is 1.71 V to 5.5 V.

Figure 3. SAR ADC



Four Opamps (Continuous-Time Block; CTB)

The PSoC Analog Coprocessor has four opamps with Comparator modes which allow most common analog functions to be performed on-chip eliminating external components; PGAs, Voltage Buffers, Filters, Trans-Impedance Amplifiers, and other functions can be realized, in some cases with external passives, saving power, cost, and space. The on-chip opamps are designed with enough bandwidth to drive the Sample-and-Hold circuit of the ADC without requiring external buffering.

Universal Analog Block (UAB) Discrete-Time Block

The UAB Block consists of switched-capacitor feedback and input networks connected to two opamp structures; the two halves of the structure can be used independently, thus a bi-quad filter structure can be made using the two halves independently in single-ended mode. General analog functions can be implemented with the switched-capacitor network and the opamps examples of functions implementable with the UAB are: DAC, multi-pole SC filters (cascadable blocks), delta-sigma modulator, mixers, integrators, PGAs, and other useful functions using Cypress PSoC Creator with Cypress-supplied software components.

Low-power Comparators (LPC)

The PSoC Analog Coprocessor has a pair of low-power comparators, which can also operate in Deep Sleep modes. This allows the analog system blocks to be disabled while retaining the ability to monitor external voltage levels during low-power modes. The comparator outputs are normally synchronized to avoid metastability unless operating in an asynchronous power mode where the system wake-up circuit is activated by a comparator switch event. The LPC outputs can be routed to pins.

Current DACs

The PSoC Analog Coprocessor has two IDACs, which can drive any of the pins on the chip. These IDACs have programmable current ranges.

Analog Multiplexed Buses

The PSoC Analog Coprocessor has two concentric independent buses that go around the periphery of the chip. These buses (called amux buses) are connected to firmware-programmable analog switches that allow the chip's internal resources (IDACs, comparator) to connect to any pin on the I/O Ports.

Temperature Sensor

There is an on-chip temperature sensor which is calibrated during production to achieve $\pm 1\%$ typical ($\pm 5\%$ maximum) deviation from accuracy. The SAR ADC is used to measure the temperature.

Fixed Function Digital

Timer/Counter/PWM (TCPWM) Block

The TCPWM block consists of a 16-bit counter with user-programmable period length. There is a capture register to record the count value at the time of an event (which may be an I/O event), a period register that is used to either stop or auto-reload the counter when its count is equal to the period register, and compare registers to generate compare value signals that are used as PWM duty cycle outputs. The block also provides true and complementary outputs with programmable offset between them to allow use as dead-band programmable complementary PWM outputs. It also has a Kill input to force outputs to a predetermined state; for example, this is used in motor drive systems when an over-current state is indicated and the PWM driving the FETs needs to be shut off immediately with no time for software intervention. There are eight TCPWM blocks in the PSoC Analog Coprocessor.

Serial Communication Block (SCB)

The PSoC Analog Coprocessor has three serial communication blocks, which can be programmed to have SPI, I²C, or UART functionality.

I²C Mode: The hardware I²C block implements a full multi-master and slave interface (it is capable of multi-master arbitration). This block is capable of operating at speeds of up to 1 Mbps (Fast Mode Plus) and has flexible buffering options to reduce interrupt overhead and latency for the CPU. It also supports EZI²C that creates a mailbox address range in the memory of the PSoC Analog Coprocessor and effectively reduces I²C communication to reading from and writing to an array in memory. In addition, the block supports an 8-deep FIFO for receive and transmit which, by increasing the time given for

the CPU to read data, greatly reduces the need for clock stretching caused by the CPU not having read data on time.

The I²C peripheral is compatible with the I²C Standard-mode and Fast-mode devices as defined in the NXP I²C-bus specification and user manual (UM10204). The I²C bus I/O is implemented with GPIO in open-drain modes.

The PSoC Analog Coprocessor is not completely compliant with the I²C spec in the following respect:

- GPIO cells are not overvoltage tolerant and, therefore, cannot be hot-swapped or powered up independently of the rest of the I²C system.

UART Mode: This is a full-feature UART operating at up to 1 Mbps. It supports automotive single-wire interface (LIN), infrared interface (IrDA), and SmartCard (ISO7816) protocols, all of which are minor variants of the basic UART protocol. In addition, it supports the 9-bit multiprocessor mode that allows addressing of peripherals connected over common RX and TX lines. Common UART functions such as parity error, break detect, and frame error are supported. An 8-deep FIFO allows much greater CPU service latencies to be tolerated.

SPI Mode: The SPI mode supports full Motorola SPI, TI SSP (adds a start pulse used to synchronize SPI Coders), and National Microwire (half-duplex form of SPI). The SPI block can use the FIFO.

GPIO

The PSoC Analog Coprocessor has up to 38 GPIOs. The GPIO block implements the following:

- Eight drive modes:
 - Analog input mode (input and output buffers disabled)
 - Input only
 - Weak pull-up with strong pull-down
 - Strong pull-up with weak pull-down
 - Open drain with strong pull-down
 - Open drain with strong pull-up
 - Strong pull-up with strong pull-down
 - Weak pull-up with weak pull-down
- Input threshold select (CMOS or LVTTTL).
- Individual control of input and output buffer enabling/disabling in addition to the drive strength modes
- Selectable slew rates for dV/dt related noise control to improve EMI

The pins are organized in logical entities called ports, which are 8-bit in width (less for Ports 2 and 3). During power-on and reset, the blocks are forced to the disable state so as not to crowbar any inputs and/or cause excess turn-on current. A multiplexing network known as a high-speed I/O matrix is used to multiplex between various signals that may connect to an I/O pin.

Data output and pin state registers store, respectively, the values to be driven on the pins and the states of the pins themselves.

Every I/O pin can generate an interrupt if so enabled and each I/O port has an interrupt request (IRQ) and interrupt service routine (ISR) vector associated with it (4 for PSoC Analog Coprocessor). The Smart I/O block is a fabric of switches and LUTs that allows Boolean functions to be performed on signals being routed to the pins of a GPIO port. The Smart I/O block can perform logical operations on input pins to the chip and on signals going out as outputs.

Special Function Peripherals

CapSense

CapSense is supported in the PSoC Analog Coprocessor through a CSD block that can be connected to any pins through an analog mux bus via an analog switch. CapSense function can thus be provided on any available pin or group of pins in a system under software control. A PSoC Creator component is provided for the CapSense block to make it easy for the user.

Shield voltage can be driven on another mux bus to provide water-tolerance capability. Water tolerance is provided by driving the shield electrode in phase with the sense electrode to keep the shield capacitance from attenuating the sensed input. Proximity sensing can also be implemented.

The CapSense block has two IDACs, which can be used for general purposes if CapSense is not being used (both IDACs are

available in that case) or if CapSense is used without water tolerance (one IDAC is available). The CapSense block also provides a 10-bit Slope ADC function, which can be used in conjunction with the CapSense function.

The CapSense block is an advanced, low-noise, programmable block with programmable voltage references and current source ranges for improved sensitivity and flexibility. It can also use an external reference voltage. It has a full-wave CSD mode that alternates sensing to VDDA and ground to null out power-supply related noise

WLCSP Package Bootloader

The WLCSP package is supplied with an I²C bootloader installed in flash. The bootloader is compatible with PSoC Creator bootloader project files.

Pinouts

The following table provides the pin list for PSoC Analog Coprocessor for the 48 QFN, 48 TQFP, 45 WLCSP, and 28 SSOP packages. All port pins support GPIO.

| Packages | | | | | | | |
|----------|------|---------|------|---------|------|--------|------|
| 48-QFN | | 48-TQFP | | 28-SSOP | | 45-CSP | |
| Pin | Name | Pin | Name | Pin | Name | Pin | Name |
| 28 | P0.0 | 28 | P0.0 | 21 | P0.0 | D3 | P0.0 |
| 29 | P0.1 | 29 | P0.1 | 22 | P0.1 | E2 | P0.1 |
| 30 | P0.2 | 30 | P0.2 | 23 | P0.2 | D2 | P0.2 |
| 31 | P0.3 | 31 | P0.3 | | | C3 | P0.3 |
| 32 | P0.4 | 32 | P0.4 | | | D1 | P0.4 |
| 33 | P0.5 | 33 | P0.5 | | | E1 | P0.5 |
| 34 | P0.6 | 34 | P0.6 | | | C2 | P0.6 |
| 35 | P0.7 | 35 | P0.7 | | | B2 | P0.7 |
| 36 | XRES | 36 | XRES | 24 | XRES | B3 | XRES |
| 37 | P4.0 | 37 | P4.0 | | | A1 | P4.0 |
| 38 | P4.1 | 38 | P4.1 | | | B1 | P4.1 |
| 39 | P5.0 | 39 | P5.0 | 25 | P5.0 | B4 | P5.0 |
| 40 | P5.1 | 40 | P5.1 | | | C1 | P5.1 |
| 41 | P5.2 | 41 | P5.2 | 26 | P5.2 | A2 | P5.2 |
| 42 | P5.3 | 42 | P5.3 | 27 | P5.3 | A3 | P5.3 |
| 43 | VDDA | 43 | VDDA | 28 | VDDA | J2 | VDDA |
| 44 | VSSA | 44 | VSSA | 29 | VSSA | J3 | VSSA |
| 45 | VCCD | 45 | VCCD | 1 | VCCD | A4 | VCCD |
| | | | | | | B5 | VDDD |
| 46 | VSSD | 46 | VSSD | 2 | VSSD | A5 | VSSD |
| 47 | VDDD | 47 | VDDD | 3 | VDDD | | |
| 48 | P1.0 | 48 | P1.0 | 4 | P1.0 | C5 | P1.0 |
| 1 | P1.1 | 1 | P1.1 | 5 | P1.1 | C4 | P1.1 |
| 2 | P1.2 | 2 | P1.2 | 6 | P1.2 | D5 | P1.2 |
| 3 | P1.3 | 3 | P1.3 | 7 | P1.3 | D4 | P1.3 |
| 4 | P1.4 | 4 | P1.4 | | | E3 | P1.4 |
| 5 | P1.5 | 5 | P1.5 | | | E4 | P1.5 |
| 6 | P1.6 | 6 | P1.6 | | | | |
| 7 | P1.7 | 7 | P1.7 | | | G3 | P1.7 |
| 8 | VDDA | 8 | VDDA | 8 | VDDA | E5 | VDDA |
| 9 | VSSA | 9 | VSSA | 9 | VSSA | F5 | VSSA |
| 10 | P2.0 | 10 | P2.0 | 10 | P2.0 | F4 | P2.0 |
| 11 | P2.1 | 11 | P2.1 | 11 | P2.1 | F3 | P2.1 |
| 12 | P2.2 | 12 | P2.2 | 12 | P2.2 | G4 | P2.2 |
| 13 | P2.3 | 13 | P2.3 | 13 | P2.3 | G5 | P2.3 |
| 14 | P2.4 | 14 | P2.4 | | | H5 | P2.4 |
| 15 | P2.5 | 15 | P2.5 | | | J4 | P2.5 |

| Packages | | | | | | | |
|----------|-----------|---------|-----------|---------|-----------|--------|-----------|
| 48-QFN | | 48-TQFP | | 28-SSOP | | 45-CSP | |
| Pin | Name | Pin | Name | Pin | Name | Pin | Name |
| 16 | P2.6 | 16 | P2.6 | | | H4 | P2.6 |
| 17 | P2.7/VREF | 17 | P2.7/VREF | 14 | P2.7/VREF | J5 | P2.7/VREF |
| 18 | VSSA | 18 | VSSA | 30 | VSSA | J3 | VSSA |
| 19 | VDDA | 19 | VDDA | 15 | VDDA | J2 | VDDA |
| 20 | P3.0 | 20 | P3.0 | | | H2 | P3.0 |
| 21 | P3.1 | 21 | P3.1 | 16 | P3.1 | F2 | P3.1 |
| 22 | P3.2 | 22 | P3.2 | 17 | P3.2 | J1 | P3.2 |
| 23 | P3.3 | 23 | P3.3 | 18 | P3.3 | H3 | P3.3 |
| 24 | P3.4 | 24 | P3.4 | | | F1 | P3.4 |
| 25 | P3.5 | 25 | P3.5 | | | G2 | P3.5 |
| 26 | P3.6 | 26 | P3.6 | 19 | P3.6 | G1 | P3.6 |
| 27 | P3.7 | 27 | P3.7 | 20 | P3.7 | H1 | P3.7 |

Descriptions of the Power pins are as follows:

VDDD: Power supply for the digital section.

VDDA: Power supply for the analog section.

VSS: Ground pin.

VCCD: Regulated digital supply (1.8 V ±5%)

The 48-pin packages have 38 I/O pins. The 45 CSP and the 28 SSOP have 37 and 20 I/O pins respectively

Alternate Pin Functions

Each Port pin has can be assigned to one of multiple functions; it can, for example, be an Analog I/O, a Digital Peripheral function, or a CapSense or LCD pin. The pin assignments are shown in the following table.

| Port/Pin | Analog | SmartIO | Active | | | | DeepSleep | |
|----------|------------------------------------|------------------|----------------------|-------------------|--------------------------|-------------------------|----------------------|----------------------|
| | | | ACT #0 | ACT #1 | ACT #2 | ACT #3 | DS #0 | DS #1 |
| P0.0 | lpcomp.in_p[0] | SmartIO[0].io[0] | tcpwm.line[4]:1 | | pass.dsi_sar_data[0]:0 | tcpwm.tr_in[0] | cpuss.swd_data:0 | scb[0].spi_select1:0 |
| P0.1 | lpcomp.in_n[0] | SmartIO[0].io[1] | tcpwm.line_comp[4]:1 | | pass.dsi_sar_data[1]:0 | tcpwm.tr_in[1] | cpuss.swd_clk:0 | scb[0].spi_select2:0 |
| P0.2 | | SmartIO[0].io[2] | tcpwm.line[5]:1 | | srss.ext_clk | pass.tr_gen_trig_in[0] | pass.dsi_ctb_cmp0[0] | scb[0].spi_select3:0 |
| P0.3 | | SmartIO[0].io[3] | tcpwm.line_comp[5]:1 | | pass.dsi_sar_data[2]:1 | pass.tr_gen_trig_in[1] | pass.dsi_ctb_cmp1[0] | |
| P0.4 | | SmartIO[0].io[4] | tcpwm.line[6]:1 | scb[1].uart_rx:0 | pass.dsi_sar_data[3]:1 | pass.tr_uab_trig0_out:0 | scb[1].i2c_scl:0 | scb[1].spi_mosi:0 |
| P0.5 | | SmartIO[0].io[5] | tcpwm.line_comp[6]:1 | scb[1].uart_tx:0 | pass.dsi_sar_data[4]:1 | pass.tr_uab_trig1_out:0 | scb[1].i2c_sda:0 | scb[1].spi_miso:0 |
| P0.6 | | SmartIO[0].io[6] | | scb[1].uart_cts:0 | pass.dsi_sar_data[5]:1 | pass.dsi_uab_cmp0 | lpcomp.comp[0]:0 | scb[1].spi_clk:0 |
| P0.7 | | SmartIO[0].io[7] | | scb[1].uart_rts:0 | pass.dsi_sar_data[6]:1 | pass.dsi_uab_cmp1 | lpcomp.comp[1]:0 | scb[1].spi_select0:0 |
| P4.0 | wco.wco_in | | tcpwm.line[0]:2 | scb[2].uart_rx:1 | pass.dsi_sar_data[7]:1 | tcpwm.tr_in[5] | scb[2].i2c_scl:1 | scb[2].spi_mosi:1 |
| P4.1 | wco.wco_out | | tcpwm.line_comp[0]:2 | scb[2].uart_tx:1 | pass.dsi_sar_data[8]:1 | tcpwm.tr_in[6] | scb[2].i2c_sda:1 | scb[2].spi_miso:1 |
| P5.0 | csd.cshieldpads | | tcpwm.line[7]:1 | scb[0].uart_rx:1 | pass.dsi_sar_data_valid | | scb[0].i2c_scl:1 | scb[0].spi_mosi:1 |
| P5.1 | csd.vref_ext | | tcpwm.line_comp[7]:1 | scb[0].uart_tx:1 | pass.dsi_sar_sample_done | | scb[0].i2c_sda:1 | scb[0].spi_miso:1 |
| P5.2 | csd.dsi_cmod | | tcpwm.line[6]:2 | scb[0].uart_cts:1 | pass.tr_sar_out | | pass.dsi_ctb_cmp0[1] | scb[0].spi_clk:1 |
| P5.3 | csd.dsi_csh_tank | | tcpwm.line_comp[6]:2 | scb[0].uart_rts:1 | pass.dsi_sar_data[9]:0 | | pass.dsi_ctb_cmp1[1] | scb[0].spi_select0:1 |
| P1.0 | ctb_pads[8] lpcomp.in_p[1] | | tcpwm.line[0]:1 | scb[1].uart_rx:1 | pass.dsi_sar_data[10]:0 | pass.tr_decm_intr0 | scb[1].i2c_scl:1 | scb[1].spi_mosi:1 |
| P1.1 | ctb_pads[9] lpcomp.in_n[1] | | tcpwm.line_comp[0]:1 | scb[1].uart_tx:1 | pass.dsi_sar_data[11]:0 | pass.tr_decm_intr1 | scb[1].i2c_sda:1 | scb[1].spi_miso:1 |
| P1.2 | ctb_pads[10] ctb_oa0_out_10x[1] | | tcpwm.line[1]:1 | scb[1].uart_cts:1 | pass.dsi_sar_data[2]:0 | | | scb[1].spi_clk:1 |
| P1.3 | ctb_pads[11] ctb_oa1_out_10x[1] | | tcpwm.line_comp[1]:1 | scb[1].uart_rts:1 | pass.dsi_sar_data[3]:0 | | | scb[1].spi_select0:1 |
| P1.4 | ctb_pads[12] | | tcpwm.line[2]:1 | | | | | scb[1].spi_select1:0 |
| P1.5 | ctb_pads[13] | | tcpwm.line_comp[2]:1 | | | | | scb[1].spi_select2:0 |
| P1.6 | ctb_pads[14] | | tcpwm.line[3]:1 | | | | | scb[1].spi_select3:0 |
| P1.7 | ctb_pads[15] | | tcpwm.line_comp[3]:1 | | | | | |
| P2.0 | ctb_pads[0] | | tcpwm.line[4]:0 | scb[2].uart_rx:0 | pass.dsi_sar_data[4]:0 | | scb[2].i2c_scl:0 | scb[2].spi_mosi:0 |

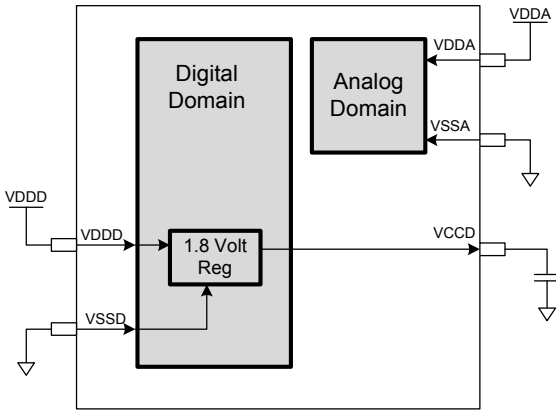
| Port/Pin | Analog | SmartIO | Active | | | | DeepSleep | |
|----------|-------------------------------------|---------|-----------------------|-------------------|-------------------------|----------------|------------------|----------------------|
| | | | ACT #0 | ACT #1 | ACT #2 | ACT #3 | DS #0 | DS #1 |
| P2.1 | ctb_pads[1] | | tcpwm.line_compl[4]:0 | scb[2].uart_tx:0 | pass.dsi_sar_data[5]:0 | | scb[2].i2c_sda:0 | scb[2].spi_miso:0 |
| P2.2 | ctb_pads[2] ctb_oa0_out_10x[0] | | tcpwm.line[5]:0 | scb[2].uart_cts:0 | pass.dsi_sar_data[6]:0 | | | scb[2].spi_clk:0 |
| P2.3 | ctb_pads[3] ctb_oa1_out_10x[0] | | tcpwm.line_compl[5]:0 | scb[2].uart_rts:0 | pass.dsi_sar_data[7]:0 | | | scb[2].spi_select0:0 |
| P2.4 | ctb_pads[4] pass.infe_base_hv | | tcpwm.line[0]:0 | | | | | scb[2].spi_select1:0 |
| P2.5 | ctb_pads[5] pass.infe_emitter_hv | | tcpwm.line_compl[0]:0 | | | | | scb[2].spi_select2:0 |
| P2.6 | ctb_pads[6] | | tcpwm.line[1]:0 | | | | | scb[2].spi_select3:0 |
| P2.7 | ctb_pads[7] | | tcpwm.line_compl[1]:0 | | | | | |
| | sar_ext_vref0 sar_ext_vref1 | | | | | | | |
| P3.0 | sarmux_pads[0] | | tcpwm.line[2]:0 | scb[0].uart_rx:0 | | | scb[0].i2c_scl:0 | scb[0].spi_mosi:0 |
| P3.1 | sarmux_pads[1] | | tcpwm.line_compl[2]:0 | scb[0].uart_tx:0 | pass.dsi_sar_data[8]:0 | | scb[0].i2c_sda:0 | scb[0].spi_miso:0 |
| P3.2 | sarmux_pads[2] | | tcpwm.line[3]:0 | scb[0].uart_cts:0 | | | cpuss.swd_data:1 | scb[0].spi_clk:0 |
| P3.3 | sarmux_pads[3] | | tcpwm.line_compl[3]:0 | scb[0].uart_rts:0 | | | cpuss.swd_clk:1 | scb[0].spi_select0:0 |
| P3.4 | sarmux_pads[4] | | tcpwm.line[6]:0 | | pass.dsi_sar_data[10]:1 | tcpwm.tr_in[2] | | scb[0].spi_select1:1 |
| P3.5 | sarmux_pads[5] | | tcpwm.line_compl[6]:0 | | pass.dsi_sar_data[11]:1 | tcpwm.tr_in[3] | csd.comp | scb[0].spi_select2:1 |
| P3.6 | sarmux_pads[6] | | tcpwm.line[7]:0 | scb[2].uart_rx:2 | | tcpwm.tr_in[4] | scb[2].i2c_scl:2 | scb[2].spi_mosi:2 |
| P3.7 | sarmux_pads[7] | | tcpwm.line_compl[7]:0 | scb[2].uart_tx:2 | | | scb[2].i2c_sda:2 | scb[2].spi_miso:2 |

Power

The following power system diagram shows the set of power supply pins as implemented for the PSoC Analog Coprocessor. The system has one regulator in Active mode for the digital circuitry. There is no analog regulator; the analog circuits run directly from the V_{DDA} input.

Note that V_{DDD} and V_{DDA} must be shorted together on the PCB.

Figure 4. Power Supply Connections



There are two distinct modes of operation. In Mode 1, the supply voltage range is 1.8 V to 5.5 V (unregulated externally; internal regulator operational). In Mode 2, the supply range is 1.8 V ±5% (externally regulated; 1.71 to 1.89, internal regulator bypassed).

Mode 1: 1.8 V to 5.5 V External Supply

In this mode, the PSoC Analog Coprocessor is powered by an external power supply that can be anywhere in the range of 1.8 to 5.5 V. This range is also designed for battery-powered operation. For example, the chip can be powered from a battery system that starts at 3.5 V and works down to 1.8 V. In this mode, the internal regulator of the PSoC Analog Coprocessor supplies the internal logic and its output is connected to the V_{CDD} pin. The V_{CDD} pin must be bypassed to ground via an external capacitor (0.1 μF; X5R ceramic or better) and must not be connected to anything else.

Mode 2: 1.8 V ±5% External Supply

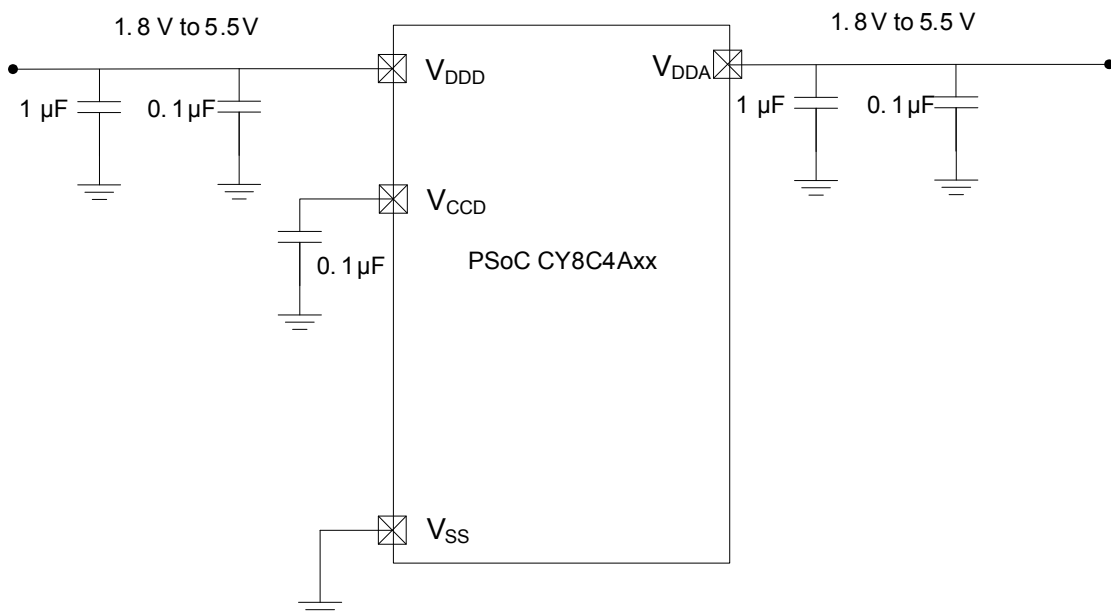
In this mode, the PSoC Analog Coprocessor is powered by an external power supply that must be within the range of 1.71 to 1.89 V; note that this range needs to include the power supply ripple too. In this mode, the V_{DDD} and V_{CDD} pins are shorted together and bypassed. The internal regulator can be disabled in the firmware.

Bypass capacitors must be used from V_{DDD} and V_{DDA} to ground. The typical practice for systems in this frequency range is to use a capacitor in the 1-μF range, in parallel with a smaller capacitor (0.1 μF, for example). Note that these are simply rules of thumb and that, for critical applications, the PCB layout, lead inductance, and the bypass capacitor parasitic should be simulated to design and obtain optimal bypassing.

An example of a bypass scheme is shown in the following diagram.

Figure 5. External Supply Range from 1.8 V to 5.5 V with Internal Regulator Active

Power supply bypass connections example



Development Support

The PSoC Analog Coprocessor family has a rich set of documentation, development tools, and online resources to assist you during your development process. Visit www.cypress.com/go/psoc4 to find out more.

Documentation

A suite of documentation supports the PSoC Analog Coprocessor family to ensure that you can find answers to your questions quickly. This section contains a list of some of the key documents.

Software User Guide: A step-by-step guide for using PSoC Creator. The software user guide shows you how the PSoC Creator build process works in detail, how to use source control with PSoC Creator, and much more.

Component Datasheets: The flexibility of PSoC allows the creation of new peripherals (components) long after the device has gone into production. Component data sheets provide all of the information needed to select and use a particular component, including a functional description, API documentation, example code, and AC/DC specifications.

Application Notes: PSoC application notes discuss a particular application of PSoC in depth; examples include brushless DC motor control and on-chip filtering. Application notes often include example projects in addition to the application note document.

Technical Reference Manual: The Technical Reference Manual (TRM) contains all the technical detail you need to use a PSoC device, including a complete description of all PSoC registers. The TRM is available in the Documentation section at www.cypress.com/psoc4.

Online

In addition to print documentation, the Cypress PSoC forums connect you with fellow PSoC users and experts in PSoC from around the world, 24 hours a day, 7 days a week.

Tools

With industry standard cores, programming, and debugging interfaces, the PSoC Analog Coprocessor family is part of a development tool ecosystem. Visit us at www.cypress.com/go/psoccreator for the latest information on the revolutionary, easy to use PSoC Creator IDE, supported third party compilers, programmers, debuggers, and development kits.

Electrical Specifications

Absolute Maximum Ratings

Table 1. Absolute Maximum Ratings^[1]

| Spec ID# | Parameter | Description | Min | Typ | Max | Units | Details/ Conditions |
|----------|-----------------------------|--|------|-----|----------------------|-------|---|
| SID1 | V _{DD_ABS} | Digital or Analog supply relative to V _{SS} | -0.5 | - | 6 | V | V _{DDD} , V _{DDA} , Absolute Max |
| SID2 | V _{CCD_ABS} | Direct digital core voltage input relative to V _{SS} | -0.5 | - | 1.95 | | - |
| SID3 | V _{GPIO_ABS} | GPIO voltage | -0.5 | - | V _{DD} +0.5 | | - |
| SID4 | I _{GPIO_ABS} | Maximum current per GPIO | -25 | - | 25 | mA | - |
| SID5 | I _{GPIO_injection} | GPIO injection current, Max for V _{IH} > V _{DDD} , and Min for V _{IL} < V _{SS} | -0.5 | - | 0.5 | | Current injected per pin |
| BID44 | ESD_HBM | Electrostatic discharge human body model | 2200 | - | - | V | - |
| BID45 | ESD_CDM | Electrostatic discharge charged device model | 500 | - | - | | - |
| BID46 | LU | Pin current for latch-up | -140 | - | 140 | mA | - |

Device Level Specifications

All specifications are valid for -40 °C ≤ T_A ≤ 85 °C and T_J ≤ 100 °C, except where noted. Specifications are valid for 1.71 V to 5.5 V, except where noted.

Table 2. DC Specifications

Typical values measured at V_{DD} = 3.3 V and 25 °C.

| Spec ID# | Parameter | Description | Min | Typ | Max | Units | Details/ Conditions |
|---|-------------------|--|------|------|-----------------|-------|-------------------------------|
| SID53 | V _{DD} | Power supply input voltage | 1.8 | - | 5.5 | V | With regulator enabled |
| SID255 | V _{DD} | Power supply input voltage (V _{CCD} = V _{DD}) | 1.71 | - | 1.89 | | Internally unregulated supply |
| SID54 | V _{DDIO} | V _{DDIO} domain supply | 1.71 | - | V _{DD} | | - |
| SID55 | C _{EFC} | External regulator voltage bypass | - | 0.1 | - | μF | X5R ceramic or better |
| SID56 | C _{EXC} | Power supply bypass capacitor | - | 1 | - | | X5R ceramic or better |
| Active Mode, V_{DD} = 1.8 V to 5.5 V. Typical values measured at V_{DD} = 3.3 V and 25 °C. | | | | | | | |
| SID9 | I _{DD5} | Execute from flash; CPU at 6 MHz | - | 2 | - | mA | - |
| SID12 | I _{DD8} | Execute from flash; CPU at 24 MHz | - | 5.6 | - | | - |
| SID16 | I _{DD11} | Execute from flash; CPU at 48 MHz | - | 10.4 | - | | - |
| Sleep Mode, V_{DDD} = 1.8 V to 5.5 V (Regulator on) | | | | | | | |
| SID22 | IDD17 | I ² C wakeup WDT, and Comparators on | - | 1.1 | - | mA | 6 MHz |
| SID25 | IDD20 | I ² C wakeup, WDT, and Comparators on. | - | 3.1 | - | | 12 MHz |

Note

- Usage above the absolute maximum conditions listed in Table 1 may cause permanent damage to the device. Exposure to Absolute Maximum conditions for extended periods of time may affect device reliability. The Maximum Storage Temperature is 150 °C in compliance with JEDEC Standard JESD22-A103, High Temperature Storage Life. When used below Absolute Maximum conditions but above normal operating conditions, the device may not operate to specification.

Table 2. DC Specifications (continued)

Typical values measured at $V_{DD} = 3.3\text{ V}$ and $25\text{ }^{\circ}\text{C}$.

| Spec ID# | Parameter | Description | Min | Typ | Max | Units | Details/ Conditions |
|---|-----------|--|-----|-----|-----|-------|------------------------|
| Sleep Mode, $V_{DD} = 1.71\text{ V to }1.89\text{ V}$ (Regulator bypassed) | | | | | | | |
| SID28 | IDD23 | I ² C wakeup, WDT, and Comparators on | – | 1.1 | – | mA | 6 MHz |
| SID28A | IDD23A | I ² C wakeup, WDT, and Comparators on | – | 3.1 | – | mA | 12 MHz |
| Deep Sleep Mode, $V_{DD} = 1.8\text{ V to }3.6\text{ V}$ (Regulator on) | | | | | | | |
| SID31 | IDD26 | I ² C wakeup and WDT on | – | 2.5 | – | μA | – |
| Deep Sleep Mode, $V_{DD} = 3.6\text{ V to }5.5\text{ V}$ (Regulator on) | | | | | | | |
| SID34 | IDD29 | I ² C wakeup and WDT on | – | 2.5 | – | μA | – |
| Deep Sleep Mode, $V_{DD} = V_{CCD} = 1.71\text{ V to }1.89\text{ V}$ (Regulator bypassed) | | | | | | | |
| SID37 | IDD32 | I ² C wakeup and WDT on | – | 2.5 | – | μA | – |
| XRES Current | | | | | | | |
| SID307 | IDD_XR | Supply current while XRES asserted | – | 2 | 5 | mA | – |

Table 3. AC Specifications

| Spec ID# | Parameter | Description | Min | Typ | Max | Units | Details/ Conditions |
|----------------------|------------------------|-----------------------------|-----|-----|-----|-------|-----------------------------|
| SID48 | F _{CPU} | CPU frequency | DC | – | 48 | MHz | $1.71 \leq V_{DD} \leq 5.5$ |
| SID49 ^[2] | T _{SLEEP} | Wakeup from Sleep mode | – | 0 | – | μs | |
| SID50 ^[2] | T _{DEEPSLEEP} | Wakeup from Deep Sleep mode | – | 35 | – | | |

Note

2. Guaranteed by characterization.

GPIO

Table 4. GPIO DC Specifications

| Spec ID# | Parameter | Description | Min | Typ | Max | Units | Details/ Conditions | |
|-----------------------|------------------|---|-----------------------|-----|----------------------|---------|------------------------------------|---|
| SID57 | $V_{IH}^{[3]}$ | Input voltage high threshold | $0.7 \times V_{DDD}$ | – | – | V | CMOS Input | |
| SID58 | V_{IL} | Input voltage low threshold | – | – | $0.3 \times V_{DDD}$ | | CMOS Input | |
| SID241 | $V_{IH}^{[3]}$ | LVTTL input, $V_{DDD} < 2.7 V$ | $0.7 \times V_{DDD}$ | – | – | | – | |
| SID242 | V_{IL} | LVTTL input, $V_{DDD} < 2.7 V$ | – | – | $0.3 \times V_{DDD}$ | | – | |
| SID243 | $V_{IH}^{[3]}$ | LVTTL input, $V_{DDD} \geq 2.7 V$ | 2.0 | – | – | | – | |
| SID244 | V_{IL} | LVTTL input, $V_{DDD} \geq 2.7 V$ | – | – | 0.8 | | – | |
| SID59 | V_{OH} | Output voltage high level | $V_{DDD} - 0.6$ | – | – | | $I_{OH} = 4 mA$ at $3 V V_{DDD}$ | |
| SID60 | V_{OH} | Output voltage high level | $V_{DDD} - 0.5$ | – | – | | $I_{OH} = 1 mA$ at $1.8 V V_{DDD}$ | |
| SID61 | V_{OL} | Output voltage low level | – | – | 0.6 | | $I_{OL} = 4 mA$ at $1.8 V V_{DDD}$ | |
| SID62 | V_{OL} | Output voltage low level | – | – | 0.6 | | $I_{OL} = 10 mA$ at $3 V V_{DDD}$ | |
| SID62A | V_{OL} | Output voltage low level | – | – | 0.4 | | $I_{OL} = 3 mA$ at $3 V V_{DDD}$ | |
| SID63 | R_{PULLUP} | Pull-up resistor | 3.5 | 5.6 | 8.5 | | k Ω | – |
| SID64 | $R_{PULLDOWN}$ | Pull-down resistor | 3.5 | 5.6 | 8.5 | | | – |
| SID65 | I_{IL} | Input leakage current (absolute value) | – | – | 2 | nA | 25 °C, $V_{DDD} = 3.0 V$ | |
| SID66 | C_{IN} | Input capacitance | – | 3 | 7 | pF | – | |
| SID67 ^[4] | V_{HYSTTL} | Input hysteresis LVTTL | 15 | 40 | – | mV | $V_{DDD} \geq 2.7 V$ | |
| SID68 ^[4] | $V_{HYSCMOS}$ | Input hysteresis CMOS | $0.05 \times V_{DDD}$ | – | – | | $V_{DD} < 4.5 V$ | |
| SID68A ^[4] | $V_{HYSCMOS5V5}$ | Input hysteresis CMOS | 200 | – | – | | $V_{DD} > 4.5 V$ | |
| SID69 ^[4] | I_{DIODE} | Current through protection diode to V_{DD}/V_{SS} | – | – | 100 | μA | – | |
| SID69A ^[4] | I_{TOT_GPIO} | Maximum total source or sink chip current | – | – | 85 | mA | – | |

Table 5. GPIO AC Specifications

(Guaranteed by Characterization)

| Spec ID# | Parameter | Description | Min | Typ | Max | Units | Details/ Conditions |
|----------|-------------|-------------------------------|-----|-----|-----|-------|--------------------------------|
| SID70 | T_{RISEF} | Rise time in fast strong mode | 2 | – | 12 | ns | $3.3 V V_{DDD}$, Load = 25 pF |
| SID71 | T_{FALLF} | Fall time in fast strong mode | 2 | – | 12 | | $3.3 V V_{DDD}$, Load = 25 pF |
| SID72 | T_{RISES} | Rise time in slow strong mode | 10 | – | 60 | ns | $3.3 V V_{DDD}$, Load = 25 pF |

Notes

- V_{IH} must not exceed $V_{DDD} + 0.2 V$.
- Guaranteed by characterization.

Table 5. GPIO AC Specifications

(Guaranteed by Characterization) (continued)

| Spec ID# | Parameter | Description | Min | Typ | Max | Units | Details/ Conditions |
|----------|-----------------------|--|-----|-----|-----|-------|---|
| SID73 | T _{FALLS} | Fall time in slow strong mode | 10 | – | 60 | ns | 3.3 V V _{DDD} , Cload = 25 pF |
| SID74 | F _{GPIOOUT1} | GPIO F _{OUT} ; 3.3 V ≤ V _{DDD} ≤ 5.5 V Fast strong mode | – | – | 16 | MHz | 90/10%, 25 pF load, 60/40 duty cycle |
| SID75 | F _{GPIOOUT2} | GPIO F _{OUT} ; 1.71 V ≤ V _{DDD} ≤ 3.3 V Fast strong mode | – | – | 16 | | 90/10%, 25 pF load, 60/40 duty cycle |
| SID76 | F _{GPIOOUT3} | GPIO F _{OUT} ; 3.3 V ≤ V _{DDD} ≤ 5.5 V Slow strong mode | – | – | 7 | | 90/10%, 25 pF load, 60/40 duty cycle |
| SID245 | F _{GPIOOUT4} | GPIO F _{OUT} ; 1.71 V ≤ V _{DDD} ≤ 3.3 V Slow strong mode. | – | – | 3.5 | | 90/10%, 25 pF load, 60/40 duty cycle |
| SID246 | F _{GPIOIN} | GPIO input operating frequency; 1.71 V ≤ V _{DDD} ≤ 5.5 V | – | – | 16 | | 90/10% V _{IO} |

XRES

Table 6. XRES DC Specifications

| Spec ID# | Parameter | Description | Min | Typ | Max | Units | Details/ Conditions |
|----------------------|----------------------|------------------------------|------------------------|--------------------|------------------------|-------|---|
| SID77 | V _{IH} | Input voltage high threshold | 0.7 × V _{DDD} | – | – | V | CMOS Input |
| SID78 | V _{IL} | Input voltage low threshold | – | – | 0.3 × V _{DDD} | | |
| SID79 | R _{PULLUP} | Pull-up resistor | 3.5 | 5.6 | 10 | kΩ | – |
| SID80 | C _{IN} | Input capacitance | – | 3 | 7 | pF | – |
| SID81 ^[5] | V _{HYSXRES} | Input voltage hysteresis | – | 05*V _{DD} | – | mV | Typical hysteresis is 200 mV for V _{DD} > 4.5 V |

Table 7. XRES AC Specifications

| Spec ID# | Parameter | Description | Min | Typ | Max | Units | Details/ Conditions |
|-----------------------|-------------------------|------------------------------------|-----|-----|-----|-------|------------------------|
| SID83 ^[5] | T _{RESETWIDTH} | Reset pulse width | 1 | – | – | μs | – |
| BID194 ^[5] | T _{RESETWAKE} | Wake-up time from reset release | – | – | 2.2 | ms | – |

Note

5. Guaranteed by characterization.

Analog Peripherals

Table 8. CTB Opamp Specifications

| Spec ID# | Parameter | Description | Min | Typ | Max | Units | Details/ Conditions |
|----------|--------------------------|--|-------|------|-----------------------|-------|---|
| | I _{DD} | Opamp block current, No load | | | | | |
| SID269 | I _{DD_HI} | power=hi | – | 1100 | 1850 | μA | – |
| SID270 | I _{DD_MED} | power=med | – | 550 | 950 | | – |
| SID271 | I _{DD_LOW} | power=lo | – | 150 | 350 | | – |
| | G _{BW} | Load = 20 pF, 0.1 mA V _{DDA} = 2.7 V | | | | | |
| SID272 | G _{BW_HI} | power=hi | 6 | – | – | MHz | Input and output are 0.2 V to V _{DDA} -0.2 V |
| SID273 | G _{BW_MED} | power=med | 3 | – | – | | Input and output are 0.2 V to V _{DDA} -0.2 V |
| SID274 | G _{BW_LO} | power=lo | – | 1 | – | | Input and output are 0.2 V to V _{DDA} -0.2 V |
| | I _{OUT_MAX} | V _{DDA} = 2.7 V, 500 mV from rail | | | | | |
| SID275 | I _{OUT_MAX_HI} | power=hi | 10 | – | – | mA | Output is 0.5 V V _{DDA} -0.5 V |
| SID276 | I _{OUT_MAX_MID} | power=mid | 10 | – | – | | Output is 0.5 V V _{DDA} -0.5 V |
| SID277 | I _{OUT_MAX_LO} | power=lo | – | 5 | – | | Output is 0.5 V V _{DDA} -0.5 V |
| | I _{OUT} | V _{DDA} = 1.71 V, 500 mV from rail | | | | | |
| SID278 | I _{OUT_MAX_HI} | power=hi | 4 | – | – | mA | Output is 0.5 V V _{DDA} -0.5 V |
| SID279 | I _{OUT_MAX_MID} | power=mid | 4 | – | – | | Output is 0.5 V V _{DDA} -0.5 V |
| SID280 | I _{OUT_MAX_LO} | power=lo | – | 2 | – | | Output is 0.5 V V _{DDA} -0.5 V |
| | I _{DD_Int} | Opamp block current Internal Load | | | | | |
| SID269_I | I _{DD_HI_Int} | power=hi | – | 1500 | 1700 | μA | – |
| SID270_I | I _{DD_MED_Int} | power=med | – | 700 | 900 | | – |
| | G _{BW} | V _{DDA} = 2.7 V | | | | | |
| SID272_I | G _{BW_HI_Int} | power=hi | 8 | – | – | MHz | Output is 0.25 V to V _{DDA} -0.25 V |
| | | General opamp specs for both internal and external modes | | | | | |
| SID281 | V _{IN} | Charge-pump on, V _{DDA} = 2.7 V | -0.05 | – | V _{DDA} -0.2 | V | – |
| SID282 | V _{CM} | Charge-pump on, V _{DDA} = 2.7 V | -0.05 | – | V _{DDA} -0.2 | | – |

Table 8. CTB Opamp Specifications (continued)

| Spec ID# | Parameter | Description | Min | Typ | Max | Units | Details/ Conditions |
|----------|-----------------------|--|------|------|-----------------------|--------|---|
| SID283 | V _{OUT_1} | power=hi, Iload=10 mA | 0.5 | – | V _{DDA} -0.5 | V | V _{DD} = 2.7 V |
| SID284 | V _{OUT_2} | power=hi, Iload=1 mA | 0.2 | – | V _{DDA} -0.2 | | V _{DDA} = 2.7 V |
| SID285 | V _{OUT_3} | power=med, Iload=1 mA | 0.2 | – | V _{DDA} -0.2 | | V _{DDA} = 2.7 V |
| SID286 | V _{OUT_4} | power=lo, Iload=0.1 mA | 0.2 | – | V _{DDA} -0.2 | | V _{DDA} = 2.7 V |
| SID288 | V _{OS_TR} | Offset voltage, trimmed | -1.0 | ±0.5 | 1.0 | mV | High mode, input 0 V to V _{DDA} -0.2 V |
| SID288A | V _{OS_TR} | Offset voltage, trimmed | – | ±1 | – | | Medium mode, input 0 V to V _{DDA} -0.2 V |
| SID288B | V _{OS_TR} | Offset voltage, trimmed | – | ±2 | – | | Low mode, input 0 V to V _{DDA} -0.2 V |
| SID290 | V _{OS_DR_TR} | Offset voltage drift, trimmed | -10 | ±3 | 10 | μV/C | High mode |
| SID290A | V _{OS_DR_TR} | Offset voltage drift, trimmed | – | ±10 | – | μV/C | Medium mode |
| SID290B | V _{OS_DR_TR} | Offset voltage drift, trimmed | – | ±10 | – | | Low mode |
| SID291 | CMRR | DC | 70 | 80 | – | dB | Input is 0 V to V _{DDA} -0.2 V, Output is 0.2 V to V _{DDA} -0.2 V |
| SID292 | PSRR | At 1 kHz, 10-mV ripple | 70 | 85 | – | | V _{DD} = 3.6 V, high-power mode, input is 0.2 V to V _{DDA} -0.2 V |
| | Noise | | | | | | |
| SID294 | VN2 | input-referred, 1 kHz, power=Hi | – | 72 | – | nV/rHz | Input and output are at 0.2 V to V _{DDA} -0.2 V |
| SID295 | VN3 | input-referred, 10 kHz, power=Hi | – | 28 | – | | Input and output are at 0.2 V to V _{DDA} -0.2 V |
| SID296 | VN4 | input-referred, 100 kHz, power=Hi | – | 15 | – | | Input and output are at 0.2 V to V _{DDA} -0.2 V |
| SID297 | C _{LOAD} | Stable up to max. load. Performance specs at 50 pF. | – | – | 125 | pF | – |
| SID298 | SLEW_RATE | Clload = 50 pF, Power = High, V _{DDA} = 2.7 V | 6 | – | – | V/μs | – |
| SID299 | T _{OP_WAKE} | From disable to enable, no external RC dominating | – | – | 25 | μs | – |
| SID299A | OL_GAIN | Open Loop Gain | – | 90 | – | dB | – |

Table 8. CTB Opamp Specifications (continued)

| Spec ID# | Parameter | Description | Min | Typ | Max | Units | Details/ Conditions |
|-----------|------------------------|--|-----|------|-----|-------|---|
| | COMP_MODE | Comparator mode; 50-mV drive, $T_{rise}=T_{fall}$ (approx) | | | | | |
| SID300 | TPD1 | Response time; power=hi | – | 150 | – | ns | Input is 0.2 V to $V_{DDA}-0.2$ V |
| SID301 | TPD2 | Response time; power=med | – | 500 | – | | Input is 0.2 V to $V_{DDA}-0.2$ V |
| SID302 | TPD3 | Response time; power=lo | – | 2500 | – | | Input is 0.2 V to $V_{DDA}-0.2$ V |
| SID303 | VHYST_OP | Hysteresis | – | 10 | – | mV | – |
| SID304 | WUP_CTB | Wake-up time from Enabled to Usable | – | – | 25 | µs | – |
| | Opamp Deep Sleep Mode | Mode 2 is lowest current range. Mode 1 has higher GBW. | | | | | |
| SID_DS_1 | I _{DD_HI_M1} | Mode 1, High current | – | 1400 | – | µA | |
| SID_DS_2 | I _{DD_MED_M1} | Mode 1, Medium current | – | 700 | – | | |
| SID_DS_3 | I _{DD_LOW_M1} | Mode 1, Low current | – | 200 | – | | |
| SID_DS_4 | I _{DD_HI_M2} | Mode 2, High current | – | 120 | – | µA | |
| SID_DS_5 | I _{DD_MED_M2} | Mode 2, Medium current | – | 60 | – | | |
| SID_DS_6 | I _{DD_LOW_M2} | Mode 2, Low current | – | 15 | – | | |
| SID_DS_7 | G _{BW_HI_M1} | Mode 1, High current | – | 4 | – | MHz | 20-pF load, no DC load 0.2 V to $V_{DDA}-0.2$ V |
| SID_DS_8 | G _{BW_MED_M1} | Mode 1, Medium current | – | 2 | – | | 20-pF load, no DC load 0.2 V to $V_{DDA}-0.2$ V |
| SID_DS_9 | G _{BW_LOW_M1} | Mode 1, Low current | – | 0.5 | – | | 20-pF load, no DC load 0.2 V to $V_{DDA}-0.2$ V |
| SID_DS_10 | G _{BW_HI_M2} | Mode 2, High current | – | 0.5 | – | | 20-pF load, no DC load 0.2 V to $V_{DDA}-0.2$ V |
| SID_DS_11 | G _{BW_MED_M2} | Mode 2, Medium current | – | 0.2 | – | | 20-pF load, no DC load 0.2 V to $V_{DDA}-0.2$ V |
| SID_DS_12 | G _{BW_LOW_M2} | Mode 2, Low current | – | 0.1 | – | | 20-pF load, no DC load 0.2 V to $V_{DDA}-0.2$ V |
| SID_DS_13 | V _{OS_HI_M1} | Mode 1, High current | – | 5 | – | mV | With trim 25 °C, 0.2 V to $V_{DDA}-0.2$ V |
| SID_DS_14 | V _{OS_MED_M1} | Mode 1, Medium current | – | 5 | – | | With trim 25 °C, 0.2 V to $V_{DDA}-0.2$ V |
| SID_DS_15 | V _{OS_LOW_M2} | Mode 1, Low current | – | 5 | – | | With trim 25 °C, 0.2 V to $V_{DDA}-0.2$ V |
| SID_DS_16 | V _{OS_HI_M2} | Mode 2, High current | – | 5 | – | | With trim 25 °C, 0.2V to $V_{DDA}-0.2$ V |
| SID_DS_17 | V _{OS_MED_M2} | Mode 2, Medium current | – | 5 | – | | With trim 25 °C, 0.2 V to $V_{DDA}-0.2$ V |
| SID_DS_18 | V _{OS_LOW_M2} | Mode 2, Low current | – | 5 | – | | With trim 25 °C, 0.2 V to $V_{DDA}-0.2$ V |

Table 8. CTB Opamp Specifications (continued)

| Spec ID# | Parameter | Description | Min | Typ | Max | Units | Details/ Conditions |
|-----------|-------------------------|------------------------|-----|-----|-----|-------|--|
| SID_DS_19 | I _{OUT_HI_M1} | Mode 1, High current | – | 10 | – | mA | Output is 0.5 V to V _{DDA} -0.5 V |
| SID_DS_20 | I _{OUT_MED_M1} | Mode 1, Medium current | – | 10 | – | | Output is 0.5 V to V _{DDA} -0.5 V |
| SID_DS_21 | I _{OUT_LOW_M1} | Mode 1, Low current | – | 4 | – | | Output is 0.5 V to V _{DDA} -0.5 V |
| SID_DS_22 | I _{OUT_HI_M2} | Mode 2, High current | – | 1 | – | | – |
| SID_DS_23 | I _{OU_MED_M2} | Mode 2, Medium current | – | 1 | – | | – |
| SID_DS_24 | I _{OU_LOW_M2} | Mode 2, Low current | – | 0.5 | – | | – |

Table 9. PGA Specifications

| Spec ID# | Parameter | Description | Min | Typ | Max | Units |
|-----------------|-----------|--|-----|-----|-----|-------|
| PGA Gain Values | – | Gain Values are 2,4,16, and 32. | 2 | – | 32 | – |
| SID_PGA_1 | PGA_ERR_1 | Gain Error for Low range; Gain = 2 | – | 1 | – | % |
| | | Gain Error for Medium range; Gain = 2 | – | – | 1.5 | % |
| | | Gain Error for High range; Gain = 2 | – | – | 1.5 | % |
| SID_PGA_2 | PGA_ERR_2 | Gain Error for Low range; Gain = 4 | – | 1 | – | % |
| | | Gain Error for Medium range; Gain = 4 | – | – | 1.5 | % |
| | | Gain Error for High range; Gain = 4 | – | – | 1.5 | % |
| SID_PGA_3 | PGA_ERR_3 | Gain Error for Low range; Gain = 16 | – | 3 | – | % |
| | | Gain Error for Medium range; Gain = 16 | – | 3 | – | % |
| | | Gain Error for High range; Gain = 16 | – | 3 | – | % |
| SID_PGA_4 | PGA_ERR_4 | Gain Error for Low range; Gain = 32 | – | 5 | – | % |
| | | Gain Error for Medium range; Gain = 32 | – | 5 | – | % |
| | | Gain Error for High range; Gain = 32 | – | 5 | – | % |

Note

6. Guaranteed by characterization.

Table 10. Universal Analog Block (UAB) Specifications. All UAB Blocks are configured via PSoC Creator components.

| Spec ID# | Parameter | Description | Min | Typ | Max | Units | Details/Conditions |
|---|------------|---|------|-------------|----------------|-------------|--|
| – | – | Major functional block specifications for ADC, DAC, and filter | – | – | – | – | Specs apply for $V_{DDA} \geq 2.7$ V |
| 12-bit delta-sigma ADC | – | Realized with second-order delta-sigma modulator (single-ended) | – | – | – | – | Excludes reference drift in Auto-zero mode |
| SID_PADC_1 | GE_DS2 | Gain error | – | 0.1 | – | % | ADC error |
| SID_PADC_2 | GED_DS2 | Gain error drift | – | – | 100 | ppm / °C | – |
| SID_PADC_3 | VOS_DS2 | Offset voltage | – | – | 2 | mV | – |
| SID_PADC_4 | VSO_DS2 | Offset drift | – | – | 100 | ppm / °C | – |
| SID_PADC_5 | INL_DS2 | Integral non linearity (INL) | –3 | 1 | 3 | LSB | – |
| SID_PADC_6 | DNL_DS2 | Differential non linearity (DNL) | –1 | – | 1 | LSB | – |
| SID_PADC_7 | SINAD_DS2 | Signal-to-noise and distortion. ENOB = (SINAD-1.76)/6.02. | 68 | 77 | – | dB | – |
| SID_PADC_8 | PSRR_DS2 | Power supply rejection ratio | 68 | 74 | – | dB | – |
| SID_PADC_10 | FS_DS2 | Sample rate (ksps) | – | 7.8 | – | ksps | – |
| SID_PADC_11 | FC_DS2 | 3-dB bandwidth as a fraction of sample frequency | 0.26 | 0.26 | 0.26 | | – |
| SID_PADC_12 | VIN_DS2 | Input voltage range | – | 75 | – | % V_{REF} | Based on Cypress Component usage |
| SID_PADC_13 | IDD_DS2 | Block current | – | 900 | – | μ A | Medium power mode |
| SID_PADC_14 | WUP_DS2 | Wake-up time from Enabled to Usable | – | – | 25 | μ S | For clock ≥ 1 MHz |
| 14-bit Incremental Delta-Sigma ADC. $V_{REF} = V_{DDA}/2$ | | | | | | | |
| SID_IADC_1 | INL_IADC | Integral non-linearity (INL) | –4 | – | 4 | LSB | |
| SID_IADC_2 | DNL_IADC | Differential non-linearity (DNL) | –1 | – | 1 | LSB | |
| SID_IADC_3 | SINAD_IADC | Signal-to-noise and distortion. ENOB = (SINAD-1.76)/6.02. | – | 77 | – | – | |
| SID_IADC_4 | FS_IADC | Sample Rate (samples per second) | – | – | 100 | sps | |
| 13-bit DAC | | | | | | | |
| SID_DAC_1 | INL_MDAC1 | Integral non linearity (INL) | – | +5,–6 | – | LSB | |
| SID_DAC_2 | DNL_MDAC1 | Differential non linearity (DNL) | – | +3.5, –0.75 | – | | |
| SID_DAC_3 | VOU_MDAC1 | Output voltage range | 0.01 | – | $V_{DDA}-0.01$ | V | Valid output range is 100 LSBs from rails. Full settling bandwidth to within 100 mV of rail. |
| SID_DAC_4 | VOS_MDAC1 | Zero scale error (output with all zeroes input) | – | 5 | – | mV | Zero scale is at analog ground |

Table 10. Universal Analog Block (UAB) Specifications. All UAB Blocks are configured via PSoC Creator components.

| Spec ID# | Parameter | Description | Min | Typ | Max | Units | Details/Conditions |
|--|------------|---|------|-----|-----|-------|---|
| SID_DAC_5 | GE_MDAC1 | Full scale error less offset | – | – | 0.4 | % | – |
| SID_DAC_6 | IDD_MMDAC1 | Block current | – | 1.2 | – | mA | – |
| SID_DAC_7 | PSRR_MDAC1 | Power supply rejection ratio | 70 | – | – | dB | – |
| SID_DAC_8 | WUP_MDAC1 | Wake-up time from Enabled to Usable | – | – | 25 | µs | For clock ≥ 1 MHz |
| SID_DAC_9 | TS_MDAC1 | Settling time for DAC | – | – | 2 | µs | – |
| SID_DAC_10 | BW-MDAC1 | 3-dB bandwidth frequency | – | – | 500 | kHz | – |
| Two_Pole Bi-Quad Switched-Capacitor Filter. Low/Band/High/Notch Pass Filter | | | | | | | Configured via Cypress Component |
| SID_SC_1 | SNR_SCF1 | Signal-to-noise ratio | – | 64 | – | dB | V _{in} 2V _{p-p} , low-pass, OSR=100 |
| SID_SC_2 | THD_SCF1 | Total harmonic distortion | – | 70 | – | dB | V _{in} 2V _{p-p} , low-pass, OSR = 100 |
| SID_SC_3 | F0_SCF1 | Center frequency range | 0.1 | – | 20 | kHz | – |
| SID_SC_4 | VOS_SFC1 | Offset error | – | 15 | – | mV | – |
| SID_SC_6 | QACC_SFC1 | Q accuracy | –2 | 0.2 | 2 | % | – |
| SID_SC_7 | QRNG_SFC1 | Q range | 0.25 | – | 25 | – | – |
| SID_SC_9 | FC_SCF1 | Maximum sampling frequency | – | – | 2 | MHz | – |
| SID_SC_10 | FR_SCF1 | Ratio of sampling frequency to corner frequency | 8 | – | 128 | – | – |
| SID_SC_11 | IDD_SCF1 | Block current | – | 900 | – | µA | – |
| SID_SC_12 | WUP_SCF1 | Wake-up time from Enabled to Usable | – | – | 25 | µs | For clock ≥ 1 MHz |

Table 11. Comparator DC Specifications

| Spec ID# | Parameter | Description | Min | Typ | Max | Units | Details/Conditions |
|----------|----------------------|---|-----|-----|------------------------|-------|---|
| SID84 | V _{OFFSET1} | Input offset voltage, Factory trim | – | – | ±10 | mV | – |
| SID85 | V _{OFFSET2} | Input offset voltage, Custom trim | – | – | ±4 | | – |
| SID86 | V _{HYST} | Hysteresis when enabled | – | 10 | 35 | | – |
| SID87 | V _{ICM1} | Input common mode voltage in normal mode | 0 | – | V _{DDD} -0.1 | V | Modes 1 and 2 |
| SID247 | V _{ICM2} | Input common mode voltage in low power mode | 0 | – | V _{DDD} | | – |
| SID247A | V _{ICM3} | Input common mode voltage in ultra low power mode | 0 | – | V _{DDD} -1.15 | | V _{DDD} ≥ 2.2 V for Temp < 0 °C, V _{DDD} ≥ 1.8 V for Temp > 0 °C |
| SID88 | C _{MRR} | Common mode rejection ratio | 50 | – | – | dB | V _{DDD} ≥ 2.7V |
| SID88A | C _{MRR} | Common mode rejection ratio | 42 | – | – | | V _{DDD} ≤ 2.7V |

Table 11. Comparator DC Specifications (continued)

| Spec ID# | Parameter | Description | Min | Typ | Max | Units | Details/ Conditions |
|----------|-------------------|---------------------------------------|-----|-----|-----|-------|---|
| SID89 | I _{CMP1} | Block current, normal mode | – | – | 400 | μA | – |
| SID248 | I _{CMP2} | Block current, low power mode | – | – | 100 | | – |
| SID259 | I _{CMP3} | Block current in ultra low-power mode | – | – | 28 | | V _{DDD} ≥ 2.2 V for Temp < 0 °C, V _{DDD} ≥ 1.8 V for Temp > 0 °C |
| SID90 | Z _{CMP} | DC Input impedance of comparator | 35 | – | – | MΩ | – |

Table 12. Comparator AC Specifications

| Spec ID# | Parameter | Description | Min | Typ | Max | Units | Details/ Conditions |
|----------|-----------|---|-----|-----|-----|-------|--|
| SID91 | TRESP1 | Response time, normal mode, 50 mV overdrive | – | 38 | 110 | ns | All V _{DD} |
| SID258 | TRESP2 | Response time, low power mode, 50 mV overdrive | – | 70 | 200 | | – |
| SID92 | TRESP3 | Response time, ultra-low power mode, 200 mV overdrive | – | 2.3 | 15 | μs | V _{DDD} ≥ 2.2 V for Temp < 0 °C, V _{DDD} ≥ 1.8 V for Temp > 0 °C |

Table 13. Temperature Sensor Specifications

| Spec ID# | Parameter | Description | Min | Typ | Max | Units | Details / Conditions |
|----------|-----------|-----------------------------|-----|-----|-----|-------|-------------------------|
| SID93 | TSENSACC | Temperature sensor accuracy | –5 | ±1 | 5 | °C | –40 to +85 °C |

Table 14. SAR Specifications

| Spec ID# | Parameter | Description | Min | Typ | Max | Units | Details/ Conditions |
|----------------------------------|-----------|-------------------------------------|-----------------|-----|------------------|-------|-----------------------------|
| SAR ADC DC Specifications | | | | | | | |
| SID94 | A_RES | Resolution | – | – | 12 | bits | |
| SID95 | A_CHNLS_S | Number of channels - single ended | – | – | 8 | | 8 full speed. |
| SID96 | A-CHNKS_D | Number of channels - differential | – | – | 4 | | |
| SID97 | A-MONO | Monotonicity | – | – | – | | Yes. |
| SID98 | A_GAINERR | Gain error | – | – | ±0.1 | % | With external reference. |
| SID99 | A_OFFSET | Input offset voltage | – | – | 2 | mV | Measured with 1-V reference |
| SID100 | A_ISAR | Current consumption | – | – | 1 | mA | |
| SID101 | A_VINS | Input voltage range - single ended | V _{SS} | – | V _{DDA} | V | |
| SID102 | A_VIND | Input voltage range - differential[| V _{SS} | – | V _{DDA} | V | |
| SID103 | A_INRES | Input resistance | – | – | 2.2 | KΩ | |
| SID104 | A_INCAP | Input capacitance | – | – | 10 | pF | |
| SID260 | VREFSAR | Trimmed internal reference to SAR | – | – | TBD | V | |

Table 14. SAR Specifications (continued)

| Spec ID# | Parameter | Description | Min | Typ | Max | Units | Details/ Conditions |
|----------------------------------|------------|--|------|-----|-------------|-------|------------------------------|
| SAR ADC AC Specifications | | | | | | | |
| SID106 | A_PSRR | Power supply rejection ratio | 70 | – | – | dB | |
| SID107 | A_CMRR | Common mode rejection ratio | 66 | – | – | dB | Measured at 1 V |
| SID108 | A_SAMP | Sample rate | – | – | 1 | Msp/s | |
| SID109 | A_SNR | Signal-to-noise and distortion ratio (SINAD) | 65 | – | – | dB | $F_{IN} = 10$ kHz |
| SID110 | A_BW | Input bandwidth without aliasing | – | – | $A_{smp}/2$ | kHz | |
| SID111 | A_INL | Integral non linearity. $V_{DD} = 1.71$ to 5.5 , 1 Msp/s | –1.7 | – | 2 | LSB | $V_{REF} = 1$ to V_{DD} |
| SID111A | A_INL | Integral non linearity. $V_{DD} = 1.71$ to 3.6 , 1 Msp/s | –1.5 | – | 1.7 | LSB | $V_{REF} = 1.71$ to V_{DD} |
| SID111B | A_INL | Integral non linearity. $V_{DD} = 1.71$ to 5.5 , 500 ksp/s | –1.5 | – | 1.7 | LSB | $V_{REF} = 1$ to V_{DD} |
| SID112 | A_DNL | Differential non linearity. $V_{DD} = 1.71$ to 5.5 , 1 Msp/s | –1 | – | 2.2 | LSB | $V_{REF} = 1$ to V_{DD} |
| SID112A | A_DNL | Differential non linearity. $V_{DD} = 1.71$ to 3.6 , 1 Msp/s | –1 | – | 2 | LSB | $V_{REF} = 1.71$ to V_{DD} |
| SID112B | A_DNL | Differential non linearity. $V_{DD} = 1.71$ to 5.5 , 500 ksp/s | –1 | – | 2.2 | LSB | $V_{REF} = 1$ to V_{DD} |
| SID113 | A_THD | Total harmonic distortion | – | – | –65 | dB | $F_{in} = 10$ kHz |
| SID261 | FSARINTREF | SAR operating speed without external ref. bypass | – | – | 100 | ksp/s | 12-bit resolution |

Table 15. CapSense and IDAC Specifications

| Spec ID# | Parameter | Description | Min | Typ | Max | Units | Details / Conditions |
|-------------|----------------|---|------|-----|-----------------|-------|--|
| SYS.PER#3 | VDD_RIPPLE | Max allowed ripple on power supply, DC to 10 MHz | – | – | ±50 | mV | $V_{DD} > 2$ V (with ripple), 25°C T_A , Sensitivity = 0.1 pF |
| SYS.PER#16 | VDD_RIPPLE_1.8 | Max allowed ripple on power supply, DC to 10 MHz | – | – | ±25 | mV | $V_{DD} > 1.75$ V (with ripple), 25°C T_A , Parasitic Capacitance (CP) < 20 pF, Sensitivity ≥ 0.4 pF |
| SID.CSD.BLK | ICSD | Maximum block current | | | 1700 | μA | Block current per IDAC with comparators and reference |
| SID.CSD#15 | VREF | Voltage reference for CSD and Comparator | 0.6 | 1.2 | $V_{DDA} - 0.6$ | V | $V_{DDA} - 0.6$ or 4.4, whichever is lower |
| SID.CSD#15A | VREF_EXT | External Voltage reference for CSD and Comparator | 0.6 | | $V_{DDA} - 0.6$ | V | $V_{DDA} - 0.6$ or 4.4, whichever is lower |
| SID.CSD#16 | IDAC1IDD | IDAC1 (7 bits) block current | – | – | 1500 | μA | |
| SID.CSD#17 | IDAC2IDD | IDAC2 (7 bits) block current | – | – | 1500 | μA | |
| SID308 | VCSD | Voltage range of operation | 1.71 | – | 5.5 | V | 1.8 V ±5% or 1.8 V to 5.5 V |
| SID308A | VCOMPIDAC | Voltage compliance range of IDAC | 0.6 | – | $V_{DDA} - 0.6$ | V | $V_{DDA} - 0.6$ or 4.4, whichever is lower |
| SID309 | IDAC1DNL | DNL | –1 | – | 1 | LSB | |

Table 15. CapSense and IDAC Specifications (continued)

| Spec ID# | Parameter | Description | Min | Typ | Max | Units | Details / Conditions |
|----------|--------------|--|-----|-----|----------|---------|--|
| SID310 | IDAC1INL | INL | -3 | - | 3 | LSB | |
| SID311 | IDAC2DNL | DNL | -1 | - | 1.0 | LSB | |
| SID312 | IDAC2INL | INL | -3 | - | 3 | LSB | |
| SID313 | SNR | Ratio of counts of finger to noise. Guaranteed by characterization | 5.0 | - | - | Ratio | Capacitance range of 5 to 200 pF, 0.1 pF sensitivity. All use cases. $V_{DDA} > 2 V$. |
| SID314 | IDAC7_SRC1 | Maximum Source current of 7-bit IDAC in low range | 4.2 | | 5.2 | μA | LSB = 37.5 nA typ. |
| SID314A | IDAC7_SRC2 | Maximum Source current of 7-bit IDAC in medium range | 34 | | 41 | μA | LSB = 300 nA typ. |
| SID314B | IDAC7_SRC3 | Maximum Source current of 7-bit IDAC in high range | 275 | | 330 | μA | LSB = 2.4 μA typ. |
| SID314C | IDAC7_SRC4 | Maximum Source current of 7-bit IDAC in low range, 2X mode | 8 | | 10.5 | μA | LSB = 37.5 nA typ. 2X output stage |
| SID314D | IDAC7_SRC5 | Maximum Source current of 7-bit IDAC in medium range, 2X mode | 69 | | 82 | μA | LSB = 300 nA typ. 2X output stage |
| SID314E | IDAC7_SRC6 | Maximum Source current of 7-bit IDAC in high range, 2X mode | 540 | | 660 | μA | LSB = 2.4 μA typ. 2X output stage |
| SID315 | IDAC7_SINK_1 | Maximum Sink current of 7-bit IDAC in low range | 4.2 | | 5.7 | μA | LSB = 37.5 nA typ. |
| SID315A | IDAC7_SINK_2 | Maximum Sink current of 7-bit IDAC in medium range | 34 | | 44 | μA | LSB = 300 nA typ. |
| SID315B | IDAC7_SINK_3 | Maximum Sink current of 7-bit IDAC in high range | 270 | | 335 | μA | LSB = 2.4 μA typ. |
| SID315C | IDAC7_SINK_4 | Maximum Sink current of 7-bit IDAC in low range, 2X mode | 8 | | 11.5 | μA | LSB = 37.5 nA typ. 2X output stage |
| SID315D | IDAC7_SINK_5 | Maximum Sink current of 7-bit IDAC in medium range, 2X mode | 68 | | 86 | μA | LSB = 300 nA typ. 2X output stage |
| SID315E | IDAC7_SINK_6 | Maximum Sink current of 7-bit IDAC in high range, 2X mode | 540 | | 700 | μA | LSB = 2.4 μA typ. 2X output stage |
| SID315F | IDAC8_SRC_1 | Maximum Source current of 8-bit IDAC in low range | 8.4 | | 10.4 | μA | LSB = 37.5 nA typ. |
| SID315G | IDAC8_SRC_2 | Maximum Source current of 8-bit IDAC in medium range | 68 | | 82 | μA | LSB = 300 nA typ. |
| SID315H | IDAC8_SRC_3 | Maximum Source current of 8-bit IDAC in high range | 550 | | 660 | μA | LSB = 2.4 μA typ. |
| SID315J | IDAC8_SINK_1 | Maximum Sink current of 8-bit IDAC in low range | 8.4 | | 11.4 | μA | LSB = 37.5 nA typ. |
| SID315K | IDAC8_SINK_2 | Maximum Sink current of 8-bit IDAC in medium range | 68 | | 88 | μA | LSB = 300 nA typ. |
| SID315L | IDAC8_SINK_3 | Maximum Sink current of 8-bit IDAC in high range | 540 | | 670 | μA | LSB = 2.4 μA typ. |
| SID320 | IDACOFFSET1 | All zeroes input; Medium and High range | - | - | 1 | LSB | Polarity set by Source or Sink |
| SID320A | IDACOFFSET2 | All zeroes input; Low range | - | - | 2 | LSB | Polarity set by Source or Sink |
| SID321 | IDACGAIN | Full-scale error less offset | - | - | ± 20 | % | |

Table 15. CapSense and IDAC Specifications (continued)

| Spec ID# | Parameter | Description | Min | Typ | Max | Units | Details / Conditions |
|----------|---------------|---|-----|-----|-----|-------|--|
| SID322 | IDACMISMATCH1 | Mismatch between IDAC1 and IDAC2 in Low mode | – | – | 9.2 | LSB | LSB = 37.5 nA typ. |
| SID322A | IDACMISMATCH2 | Mismatch between IDAC1 and IDAC2 in Medium mode | – | – | 6 | LSB | LSB = 300 nA typ. |
| SID322B | IDACMISMATCH3 | Mismatch between IDAC1 and IDAC2 in High mode | – | – | 5.8 | LSB | LSB = 2.4 µA typ. |
| SID323 | IDACSET8 | Settling time to 0.5 LSB for 8-bit IDAC | – | – | 10 | µs | Full-scale transition. No external load. |
| SID324 | IDACSET7 | Settling time to 0.5 LSB for 7-bit IDAC | – | – | 10 | µs | Full-scale transition. No external load. |
| SID325 | CMOD | External modulator capacitor. | – | 2.2 | – | nF | 5-V rating, X7R or NPO cap. |

Table 16. 10-bit CapSense ADC Specifications

| Spec ID# | Parameter | Description | Min | Typ | Max | Units | Details/Conditions |
|----------|-----------|---|------------------|-----|------------------|-------|--|
| SIDA94 | A_RES | Resolution | – | – | 10 | bits | 8 full speed. |
| SID95 | A_CHNLS_S | Number of channels - single-ended | – | – | 16 | | Diff inputs use neighboring I/O |
| SIDA97 | A-MONO | Monotonicity | – | – | – | Yes | Yes |
| SIDA98 | A_GAINERR | Gain error | – | – | TBD | % | With external reference. |
| SIDA99 | A_OFFSET | Input offset voltage | – | – | TBD | mV | Measured with 1-V reference |
| SIDA100 | A_ISAR | Current consumption | – | – | TBD | mA | |
| SIDA101 | A_VINS | Input voltage range - single-ended | V _{SSA} | – | V _{DDA} | V | |
| SIDA103 | A_INRES | Input resistance | – | 2.2 | – | KΩ | |
| SIDA104 | A_INCAP | Input capacitance | – | 20 | – | pF | |
| SIDA106 | A_PSRR | Power supply rejection ratio | TBD | – | – | dB | |
| SIDA107 | A_TACQ | Sample acquisition time | – | 1 | – | µs | |
| SIDA108 | A_CONV8 | Conversion time for 8-bit resolution at conversion rate = F _{clk} /(2 ^N), Clock frequency = 48 MHz. | – | – | 21.3 | µs | Does not include acquisition time. Equivalent to 44.8 ksps including acquisition time |
| SIDA108A | A_CONV10 | Conversion time for 10-bit resolution at conversion rate = F _{clk} /(2 ^N), Clock frequency = 48 MHz. | – | – | 85.3 | µs | Does not include acquisition time. Equivalent to 11.6 ksps including acquisition time. |
| SIDA109 | A_SND | Signal-to-noise and distortion ratio (SINAD) | TBD | – | – | dB | |
| SIDA110 | A_BW | Input bandwidth without aliasing | – | – | 22.4 | kHz | 8-bit resolution |
| SIDA111 | A_INL | Integral non linearity. V _{DD} = 1.71 to 5.5, 1 ksps | – | – | 2 | LSB | V _{REF} = 2.4 V or greater |
| SIDA112 | A_DNL | Differential non linearity. V _{DD} = 1.71 to 5.5, 1 ksps | – | – | 1 | LSB | |

Digital Peripherals

Timer Counter Pulse-Width Modulator (TCPWM)

Table 17. TCPWM Specifications

| Spec ID | Parameter | Description | Min | Typ | Max | Units | Details/Conditions |
|--------------|-----------------------|-------------------------------------|------------------|-----|----------------|-------|--|
| SID.TCPWM.1 | ITCPWM1 | Block current consumption at 3 MHz | – | – | 45 | μA | All modes (TCPWM) |
| SID.TCPWM.2 | ITCPWM2 | Block current consumption at 12 MHz | – | – | 155 | | All modes (TCPWM) |
| SID.TCPWM.2A | ITCPWM3 | Block current consumption at 48 MHz | – | – | 650 | | All modes (TCPWM) |
| SID.TCPWM.3 | TCPWM _{FREQ} | Operating frequency | – | – | F _c | MHz | F _c max = CLK_SYS Maximum = 48 MHz |
| SID.TCPWM.4 | TPWM _{ENEXT} | Input trigger pulse width | 2/F _c | – | – | ns | For all trigger events ^[7] |
| SID.TCPWM.5 | TPWM _{EXT} | Output trigger pulse widths | 2/F _c | – | – | | Minimum possible width of Overflow, Underflow, and CC (Counter equals Compare value) outputs |
| SID.TCPWM.5A | TC _{RES} | Resolution of counter | 1/F _c | – | – | | Minimum time between successive counts |
| SID.TCPWM.5B | PWM _{RES} | PWM resolution | 1/F _c | – | – | | Minimum pulse width of PWM Output |
| SID.TCPWM.5C | Q _{RES} | Quadrature inputs resolution | 1/F _c | – | – | | Minimum pulse width between Quadrature phase inputs |

²C

Table 18. Fixed I²C DC Specifications^[8]

| Spec ID | Parameter | Description | Min | Typ | Max | Units | Details/Conditions |
|---------|-------------------|---|-----|-----|-----|-------|--------------------|
| SID149 | I _{I2C1} | Block current consumption at 100 kHz | – | – | 50 | μA | – |
| SID150 | I _{I2C2} | Block current consumption at 400 kHz | – | – | 135 | | – |
| SID151 | I _{I2C3} | Block current consumption at 1 Mbps | – | – | 310 | | – |
| SID152 | I _{I2C4} | I ² C enabled in Deep Sleep mode | – | – | 1.4 | | |

Table 19. Fixed I²C AC Specifications^[8]

| Spec ID | Parameter | Description | Min | Typ | Max | Units | Details/Conditions |
|---------|-------------------|-------------|-----|-----|-----|-------|--------------------|
| SID153 | F _{I2C1} | Bit rate | – | – | 1 | MSPS | – |

Table 20. SPI DC Specifications^[9]

| Spec ID | Parameter | Description | Min | Typ | Max | Units | Details/Conditions |
|---------|-----------|--|-----|-----|-----|-------|--------------------|
| SID163 | ISPI1 | Block current consumption at 1 Mbits/sec | – | – | 360 | μA | – |
| SID164 | ISPI2 | Block current consumption at 4 Mbits/sec | – | – | 560 | | – |
| SID165 | ISPI3 | Block current consumption at 8 Mbits/sec | – | – | 600 | | – |

Note

7. Trigger events can be Stop, Start, Reload, Count, Capture, or Kill depending on which mode of operation is selected.
8. Guaranteed by characterization.

Table 21. SPI AC Specifications^[9]

| Spec ID | Parameter | Description | Min | Typ | Max | Units | Details/Conditions |
|--|-----------|---|-----|-----|-------------|-------|----------------------------------|
| SID166 | FSPI | SPI Operating frequency (Master; 6X Oversampling) | – | – | 8 | MHz | SID166 |
| Fixed SPI Master Mode AC Specifications | | | | | | | |
| SID167 | TDMO | MOSI Valid after SClock driving edge | – | – | 15 | ns | – |
| SID168 | TDSI | MISO Valid before SClock capturing edge | 20 | – | – | | Full clock, late MISO sampling |
| SID169 | THMO | Previous MOSI data hold time | 0 | – | – | | Referred to Slave capturing edge |
| Fixed SPI Slave Mode AC Specifications | | | | | | | |
| SID170 | TDMI | MOSI Valid before Sclock Capturing edge | 40 | – | – | ns | – |
| SID171 | TDSO | MISO Valid after Sclock driving edge | – | – | 42 + 3*Tcpu | | Tcpu = 1/F _{CPU} |
| SID171A | TDSO_EXT | MISO Valid after Sclock driving edge in Ext. Clk mode | – | – | 48 | | – |
| SID172 | THSO | Previous MISO data hold time | 0 | – | – | | – |

Table 22. UART DC Specifications^[9]

| Spec ID | Parameter | Description | Min | Typ | Max | Units | Details/Conditions |
|---------|--------------------|---|-----|-----|-----|-------|--------------------|
| SID160 | I _{UART1} | Block current consumption at 100 Kbits/sec | – | – | 55 | μA | – |
| SID161 | I _{UART2} | Block current consumption at 1000 Kbits/sec | – | – | 312 | μA | – |

Table 23. UART AC Specifications^[9]

| Spec ID | Parameter | Description | Min | Typ | Max | Units | Details/Conditions |
|---------|-------------------|-------------|-----|-----|-----|-------|--------------------|
| SID162 | F _{UART} | Bit rate | – | – | 1 | Mbps | – |

Table 24. LCD Direct Drive DC Specifications^[9]

| Spec ID | Parameter | Description | Min | Typ | Max | Units | Details/Conditions |
|---------|-----------------------|--|-----|-----|------|-------|---|
| SID154 | I _{LCDLOW} | Operating current in low power mode | – | 5 | – | μA | 16 × 4 small segment disp. at Hz |
| SID155 | C _{LDCAP} | LCD capacitance per segment/common driver | – | 500 | 5000 | pF | – |
| SID156 | LCD _{OFFSET} | Long-term segment offset | – | 20 | – | mV | – |
| SID157 | I _{LCDOP1} | LCD system operating current V _{bias} = 5 V | – | 2 | – | mA | 32 × 4 segments. 50 Hz. 25 °C |
| SID158 | I _{LCDOP2} | LCD system operating current V _{bias} = 3.3 V | – | 2 | – | | 32 × 4 segments. 50 Hz. 25 °C 4 segments. 50 Hz. 25 °C |

Table 25. LCD Direct Drive AC Specifications^[9]

| Spec ID | Parameter | Description | Min | Typ | Max | Units | Details/Conditions |
|---------|------------------|----------------|-----|-----|-----|-------|--------------------|
| SID159 | F _{LCD} | LCD frame rate | 10 | 50 | 150 | Hz | – |

Note

9. Guaranteed by characterization.

Memory

Table 26. Flash DC Specifications

| Spec ID | Parameter | Description | Min | Typ | Max | Units | Details/Conditions |
|---------|-----------------|---------------------------|------|-----|-----|-------|--------------------|
| SID173 | V _{PE} | Erase and program voltage | 1.71 | – | 5.5 | V | – |

Table 27. Flash AC Specifications

| Spec ID | Parameter | Description | Min | Typ | Max | Units | Details/Conditions |
|-------------------------|---|---|-------|-----|-----|---------|--------------------------|
| SID174 | T _{ROWWRITE} ^[10] | Row (block) write time (erase and program) | – | – | 20 | ms | Row (block) = 64 bytes |
| SID175 | T _{ROWERASE} ^[10] | Row erase time | – | – | 13 | | – |
| SID176 | T _{ROWPROGRAM} ^[10] | Row program time after erase | – | – | 7 | | – |
| SID178 | T _{BULKERASE} ^[10] | Bulk erase time (16 KB) | – | – | 15 | | – |
| SID180 ^[11] | T _{DEVPROG} ^[10] | Total device program time | – | – | 7.5 | Seconds | – |
| SID181 ^[11] | F _{END} | Flash endurance | 100 K | – | – | Cycles | – |
| SID182 ^[11] | F _{RET} | Flash retention. T _A ≤ 55 °C, 100 K P/E cycles | 20 | – | – | Years | – |
| SID182A ^[11] | – | Flash retention. T _A ≤ 85 °C, 10 K P/E cycles | 10 | – | – | | – |
| SID256 | TWS48 | Number of Wait states at 48 MHz | 2 | – | – | | CPU execution from Flash |
| SID257 | TWS24 | Number of Wait states at 24 MHz | 1 | – | – | | CPU execution from Flash |

System Resources

Power-on Reset (POR)

Table 28. Power On Reset (PRES)

| Spec ID | Parameter | Description | Min | Typ | Max | Units | Details/Conditions |
|------------------------|-----------------------|------------------------|------|-----|-----|-------|--------------------|
| SID.CLK#6 | SR_POWER_UP | Power supply slew rate | 1 | – | 67 | V/ms | At power-up |
| SID185 ^[11] | V _{RISEIPOR} | Rising trip voltage | 0.80 | – | 1.5 | V | – |
| SID186 ^[11] | V _{FALLIPOR} | Falling trip voltage | 0.70 | – | 1.4 | | – |

Table 29. Brown-out Detect (BOD) for V_{CCD}

| Spec ID | Parameter | Description | Min | Typ | Max | Units | Details/Conditions |
|------------------------|------------------------|--|------|-----|------|-------|--------------------|
| SID190 ^[11] | V _{FALLPPOR} | BOD trip voltage in active and sleep modes | 1.48 | – | 1.62 | V | – |
| SID192 ^[11] | V _{FALLDPSLP} | BOD trip voltage in Deep Sleep | 1.1 | – | 1.5 | | – |

Notes

10. It can take as much as 20 milliseconds to write to Flash. During this time the device should not be Reset, or Flash operations will be interrupted and cannot be relied on to have completed. Reset sources include the XRES pin, software resets, CPU lockup states and privilege violations, improper power supply levels, and watchdogs. Make certain that these are not inadvertently activated.

11. Guaranteed by characterization.

SWD Interface

Table 30. SWD Interface Specifications

| Spec ID | Parameter | Description | Min | Typ | Max | Units | Details/Conditions |
|-------------------------|--------------|---|----------------|-----|---------------|-------|--|
| SID213 | F_SWDCCLK1 | $3.3\text{ V} \leq V_{DD} \leq 5.5\text{ V}$ | – | – | 14 | MHz | SWDCCLK \leq 1/3 CPU clock frequency |
| SID214 | F_SWDCCLK2 | $1.71\text{ V} \leq V_{DD} \leq 3.3\text{ V}$ | – | – | 7 | | SWDCCLK \leq 1/3 CPU clock frequency |
| SID215 ^[12] | T_SWDI_SETUP | $T = 1/f\text{ SWDCCLK}$ | $0.25 \cdot T$ | – | – | ns | – |
| SID216 ^[12] | T_SWDI_HOLD | $T = 1/f\text{ SWDCCLK}$ | $0.25 \cdot T$ | – | – | | – |
| SID217 ^[12] | T_SWDO_VALID | $T = 1/f\text{ SWDCCLK}$ | – | – | $0.5 \cdot T$ | | – |
| SID217A ^[12] | T_SWDO_HOLD | $T = 1/f\text{ SWDCCLK}$ | 1 | – | – | | – |

Internal Main Oscillator

Table 31. IMO DC Specifications

(Guaranteed by Design)

| Spec ID | Parameter | Description | Min | Typ | Max | Units | Details/Conditions |
|---------|-------------------|---------------------------------|-----|-----|-----|-------|--------------------|
| SID218 | I _{IMO1} | IMO operating current at 48 MHz | – | – | 250 | μA | – |
| SID219 | I _{IMO2} | IMO operating current at 24 MHz | – | – | 180 | μA | – |

Table 32. IMO AC Specifications

| Spec ID | Parameter | Description | Min | Typ | Max | Units | Details/Conditions |
|---------|--------------------------------|--|-------|-----|------|-------|---|
| SID223 | F _{IMOTOL1} | Frequency range from 24 to 48 MHz (4-MHz increments) | –2 | – | +2 | % | $2\text{ V} \leq V_{DD} \leq 5.5\text{ V}$, and $-25\text{ }^\circ\text{C} \leq T_A \leq 85\text{ }^\circ\text{C}$ |
| SID226 | T _{STARTIMO} | IMO startup time | – | – | 7 | μs | – |
| SID228 | T _{JITRMSIMO2} | RMS jitter at 24 MHz | – | 145 | – | ps | – |
| SID330 | I _{MO_{WCO1}} | Frequency range from 24 to 48 MHz (4-MHz increments) | –0.25 | – | 0.25 | % | Watch Crystal DPLL Frequency Locked mode |

Internal Low-Speed Oscillator

Table 33. ILO DC Specifications

(Guaranteed by Design)

| Spec ID | Parameter | Description | Min | Typ | Max | Units | Details/Conditions |
|------------------------|-------------------|-----------------------|-----|-----|------|-------|--------------------|
| SID231 ^[12] | I _{ILO1} | ILO operating current | – | 0.3 | 1.05 | μA | – |

Table 34. ILO AC Specifications

| Spec ID | Parameter | Description | Min | Typ | Max | Units | Details/Conditions |
|------------------------|------------------------|---------------------|-----|-----|-----|-------|--------------------|
| SID234 ^[12] | T _{STARTILO1} | ILO startup time | – | – | 2 | ms | – |
| SID236 ^[12] | T _{ILODUTY} | ILO duty cycle | 40 | 50 | 60 | % | – |
| SID237 | F _{ILOTRIM1} | ILO frequency range | 20 | 40 | 80 | kHz | – |

Note

12. Guaranteed by characterization.

Table 35. Watch Crystal Oscillator (WCO) Specifications

| Spec ID# | Parameter | Description | Min | Typ | Max | Units | Details / Conditions |
|----------|-----------|-------------------------------------|-----|--------|------|-------|----------------------|
| SID398 | FWCO | Crystal Frequency | – | 32.768 | – | kHz | |
| SID399 | FTOL | Frequency tolerance | – | 50 | 250 | ppm | With 20-ppm crystal |
| SID400 | ESR | Equivalent series resistance | – | 50 | – | kΩ | |
| SID401 | PD | Drive Level | – | – | 1 | μW | |
| SID402 | TSTART | Startup time | – | – | 500 | ms | |
| SID403 | CL | Crystal Load Capacitance | 6 | – | 12.5 | pF | |
| SID404 | C0 | Crystal Shunt Capacitance | – | 1.35 | – | pF | |
| SID405 | IWCO1 | Operating Current (high power mode) | – | – | 8 | μA | |
| SID406 | IWCO2 | Operating Current (low power mode) | – | – | 1 | μA | |

Table 36. External Clock Specifications

| Spec ID | Parameter | Description | Min | Typ | Max | Units | Details/Conditions |
|------------------------|------------|------------------------------------|-----|-----|-----|-------|--------------------|
| SID305 ^[13] | ExtClkFreq | External clock input frequency | 0 | – | 16 | MHz | – |
| SID306 ^[13] | ExtClkDuty | Duty cycle; measured at $V_{DD/2}$ | 45 | – | 55 | % | – |

Table 37. Block Specs

| Spec ID | Parameter | Description | Min | Typ | Max | Units | Details/Conditions |
|------------------------|------------------------|------------------------------------|-----|-----|-----|---------|--------------------|
| SID262 ^[13] | T _{CLKSWITCH} | System clock source switching time | 3 | – | 4 | Periods | – |

Table 38. PRGIO Pass-through Time (Delay in Bypass Mode)

| Spec ID# | Parameter | Description | Min | Typ | Max | Units | Details / Conditions |
|----------|------------|--|-----|-----|-----|-------|----------------------|
| SID252 | PRG_BYPASS | Max. delay added by PRGIO in bypass mode | – | – | 1.6 | ns | |

Note

13. Guaranteed by characterization.

Ordering Information

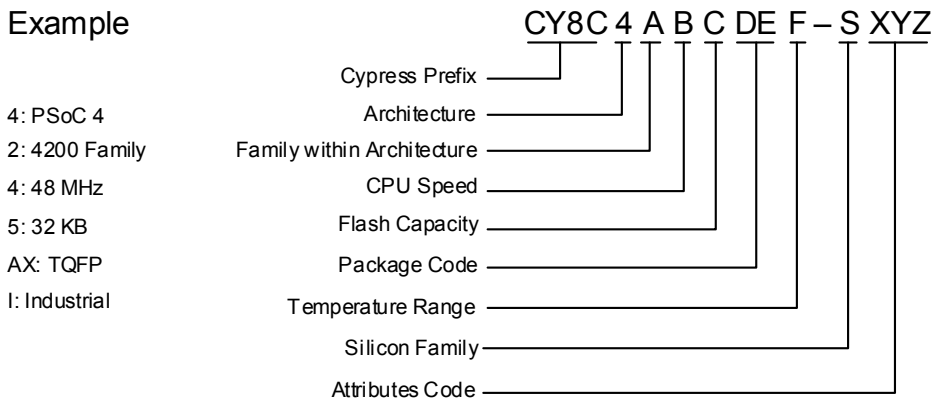
| Category | MPN | Features | | | | | | | | | | | | | | | Package | | | |
|----------|-----------------|---------------------|-----|------------|-----------|-----|-------------|-----|------------------|-----|----------------|----------------|--------------|------------|------------|------|---------|----------|--------|---------|
| | | Max CPU Speed (MHz) | DMA | Flash (KB) | SRAM (KB) | UAB | Opamp (CTB) | CSD | Direct LCD Drive | RTC | 12-bit SAR ADC | LP Comparators | TCPWM Blocks | SCB Blocks | Smart I/Os | GPIO | 28-SSOP | 45-WLCSP | 48-QFN | 48-LQFP |
| 4A24 | CY8C4A24PVI-431 | 24 | - | 16 | 4 | 1 | 2 | - | - | ✓ | 1000 ksp/s | 2 | 4 | 2 | 8 | 19 | ✓ | - | - | - |
| | CY8C4A24AZI-433 | 24 | - | 16 | 4 | 1 | 2 | - | - | ✓ | 1000 ksp/s | 2 | 4 | 2 | 8 | 38 | - | - | - | ✓ |
| | CY8C4A24PVI-441 | 24 | - | 16 | 4 | 1 | 2 | ✓ | ✓ | ✓ | 1000 ksp/s | 2 | 4 | 2 | 8 | 19 | ✓ | - | - | - |
| | CY8C4A24FNI-443 | 24 | - | 16 | 4 | 1 | 2 | ✓ | ✓ | ✓ | 1000 ksp/s | 2 | 4 | 2 | 8 | 38 | - | ✓ | - | - |
| | CY8C4A24LQI-443 | 24 | - | 16 | 4 | 1 | 2 | ✓ | ✓ | ✓ | 1000 ksp/s | 2 | 4 | 2 | 8 | 38 | - | - | ✓ | - |
| | CY8C4A24AZI-443 | 24 | - | 16 | 4 | 1 | 2 | ✓ | ✓ | ✓ | 1000 ksp/s | 2 | 4 | 2 | 8 | 38 | - | - | - | ✓ |
| 4A44 | CY8C4A25PVI-471 | 24 | - | 32 | 4 | 1 | 4 | - | - | ✓ | 1000 ksp/s | 2 | 8 | 3 | 8 | 19 | ✓ | - | - | - |
| | CY8C4A25FNI-473 | 24 | - | 32 | 4 | 1 | 4 | - | - | ✓ | 1000 ksp/s | 2 | 8 | 3 | 8 | 38 | - | ✓ | - | - |
| | CY8C4A25LQI-473 | 24 | - | 32 | 4 | 1 | 4 | - | - | ✓ | 1000 ksp/s | 2 | 8 | 3 | 8 | 38 | - | - | ✓ | - |
| | CY8C4A25AZI-473 | 24 | - | 32 | 4 | 1 | 4 | - | - | ✓ | 1000 ksp/s | 2 | 8 | 3 | 8 | 38 | - | - | - | ✓ |
| | CY8C4A25PVI-481 | 24 | - | 32 | 4 | 1 | 4 | ✓ | ✓ | ✓ | 1000 ksp/s | 2 | 8 | 3 | 8 | 19 | ✓ | - | - | - |
| | CY8C4A25FNI-483 | 24 | - | 32 | 4 | 1 | 4 | ✓ | ✓ | ✓ | 1000 ksp/s | 2 | 8 | 3 | 8 | 38 | - | ✓ | - | - |
| | CY8C4A25LQI-483 | 24 | - | 32 | 4 | 1 | 4 | ✓ | ✓ | ✓ | 1000 ksp/s | 2 | 8 | 3 | 8 | 38 | - | - | ✓ | - |
| | CY8C4A25AZI-483 | 24 | - | 32 | 4 | 1 | 4 | ✓ | ✓ | ✓ | 1000 ksp/s | 2 | 8 | 3 | 8 | 38 | - | - | - | ✓ |
| 4A45 | CY8C4A45PVI-471 | 48 | ✓ | 32 | 4 | 1 | 4 | - | - | ✓ | 1000 ksp/s | 2 | 8 | 3 | 8 | 19 | ✓ | - | - | - |
| | CY8C4A45FNI-473 | 48 | ✓ | 32 | 4 | 1 | 4 | - | - | ✓ | 1000 ksp/s | 2 | 8 | 3 | 8 | 38 | - | ✓ | - | - |
| | CY8C4A45LQI-473 | 48 | ✓ | 32 | 4 | 1 | 4 | - | - | ✓ | 1000 ksp/s | 2 | 8 | 3 | 8 | 38 | - | - | ✓ | - |
| | CY8C4A45AZI-473 | 48 | ✓ | 32 | 4 | 1 | 4 | - | - | ✓ | 1000 ksp/s | 2 | 8 | 3 | 8 | 38 | - | - | - | ✓ |
| | CY8C4A45PVI-481 | 48 | ✓ | 32 | 4 | 1 | 4 | ✓ | ✓ | ✓ | 1000 ksp/s | 2 | 8 | 3 | 8 | 19 | ✓ | - | - | - |
| | CY8C4A45FNI-483 | 48 | ✓ | 32 | 4 | 1 | 4 | ✓ | ✓ | ✓ | 1000 ksp/s | 2 | 8 | 3 | 8 | 38 | - | ✓ | - | - |
| | CY8C4A45LQI-483 | 48 | ✓ | 32 | 4 | 1 | 4 | ✓ | ✓ | ✓ | 1000 ksp/s | 2 | 8 | 3 | 8 | 38 | - | - | ✓ | - |
| | CY8C4A45AZI-483 | 48 | ✓ | 32 | 4 | 1 | 4 | ✓ | ✓ | ✓ | 1000 ksp/s | 2 | 8 | 3 | 8 | 38 | - | - | - | ✓ |

The nomenclature used in the preceding table is based on the following part numbering convention:

| Field | Description | Values | Meaning |
|-------|--------------------------------|---------|--|
| CY8C | Cypress Prefix | | |
| 4 | Signal Processing Engine | 4 | 4 = ARM Cortex-M0+ CPU |
| A | Family | A | A = Analog Coprocessor |
| B | Signal Processing Engine Speed | 2 | 24 MHz |
| | | 4 | 48 MHz |
| C | Flash Memory Capacity | 4 | 16 KB |
| | | 5 | 32 KB |
| | | 6 | 64 KB |
| | | 7 | 128 KB |
| DE | Package Code | AX | TQFP (0.8mm pitch) |
| | | AZ | TQFP (0.5mm pitch) |
| | | LQ | QFN |
| | | PV | SSOP |
| | | FN | CSP |
| F | Temperature Range | I | Industrial |
| S | Silicon Family | N/A | Base Series: PSoC 4B-S0 |
| | | M | Reserved for future products |
| | | L | Reserved for future products |
| | | BL | Reserved for future products |
| XYZ | Attributes Code | 000-999 | Code of feature set in the specific family |

The following is an example of a part number:

Example



Packaging

| SPEC ID# | Package | Description | Package DWG # |
|----------|---------------|--|---------------|
| BID20 | 48-pin TQFP | 7 × 7 × 1.4 mm height with 0.5-mm pitch | 51-85135 |
| BID27 | 48-pin QFN | 6 × 6 × 0.6 mm height with 0.4-mm pitch | 001-57280 |
| BID34 | 45-ball WLCSP | 3.7 × 2 × 0.5 mm height with 0.38-mm pitch | 002-10531 |
| BID34A | 28-pin SSOP | 5.3 × 10.2 × 0.65-mm pitch | 51-85079 |

Table 39. Package Thermal Characteristics

| Parameter | Description | Package | Min | Typ | Max | Units |
|-----------------|--------------------------------|---------------|-----|------|-----|---------|
| T _A | Operating Ambient temperature | | -40 | 25 | 85 | °C |
| T _J | Operating junction temperature | | -40 | – | 100 | °C |
| T _{JA} | Package θ_{JA} | 48-pin TQFP | – | 71 | – | °C/Watt |
| T _{JC} | Package θ_{JC} | 48-pin TQFP | – | 34.3 | – | °C/Watt |
| T _{JA} | Package θ_{JA} | 48-pin QFN | – | 18 | – | °C/Watt |
| T _{JC} | Package θ_{JC} | 48-pin QFN | – | 4.5 | – | °C/Watt |
| T _{JA} | Package θ_{JA} | 45-Ball WLCSP | – | 37.2 | – | °C/Watt |
| T _{JC} | Package θ_{JC} | 45-Ball WLCSP | – | 0.31 | – | °C/Watt |
| T _{JA} | Package θ_{JA} | 28-pin SSOP | – | 60 | – | °C/Watt |
| T _{JC} | Package θ_{JC} | 28-pin SSOP | – | 25 | – | °C/Watt |

Table 40. Solder Reflow Peak Temperature

| Package | Maximum Peak Temperature | Maximum Time at Peak Temperature |
|---------|--------------------------|----------------------------------|
| All | 260 °C | 30 seconds |

Table 41. Package Moisture Sensitivity Level (MSL), IPC/JEDEC J-STD-020

| Package | MSL |
|---------|-------|
| All | MSL 3 |

Package Diagrams

Figure 6. 48-pin TQFP Package Outline

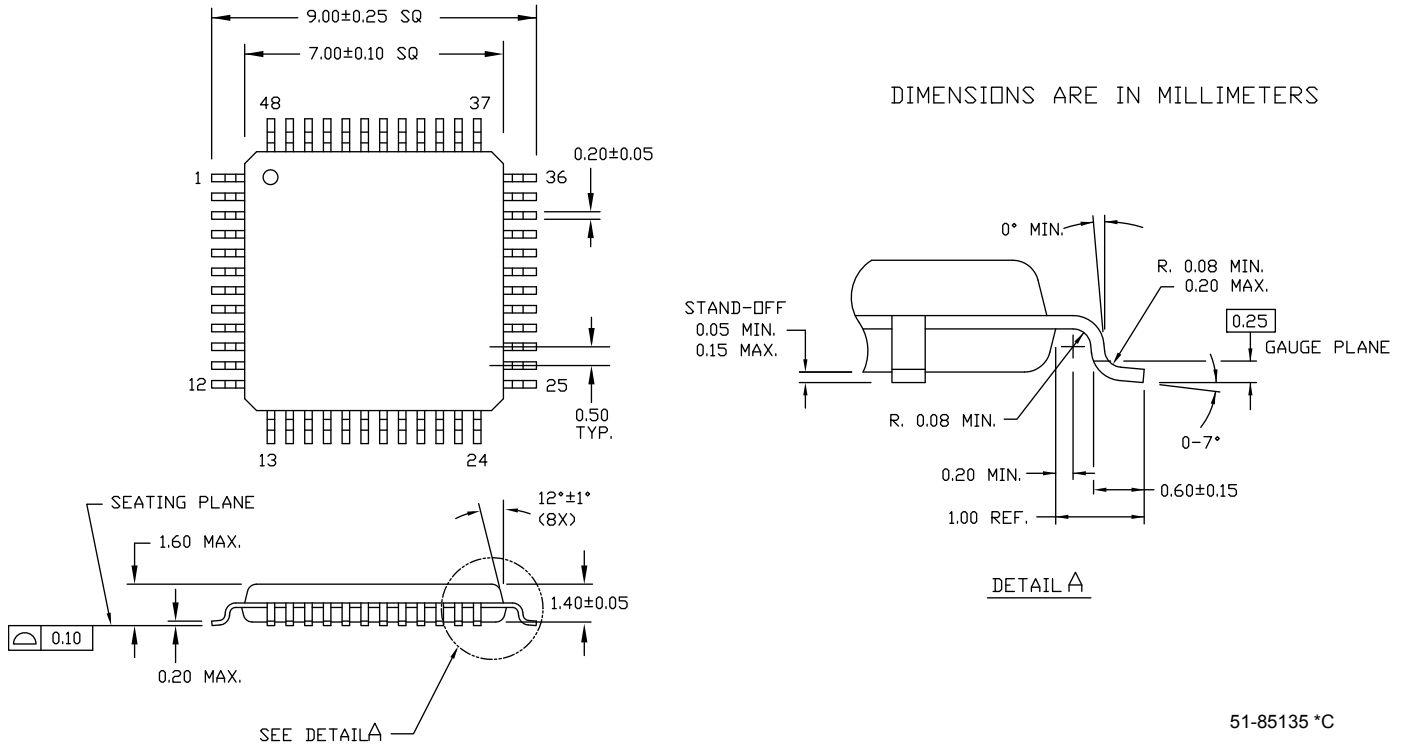
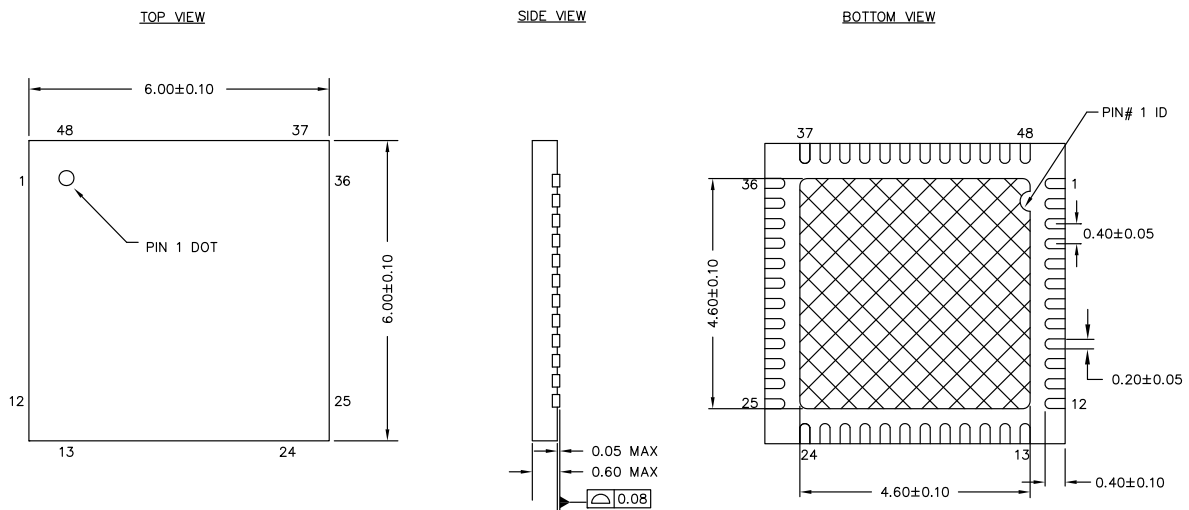



Figure 7. 48-Pin QFN Package Outline

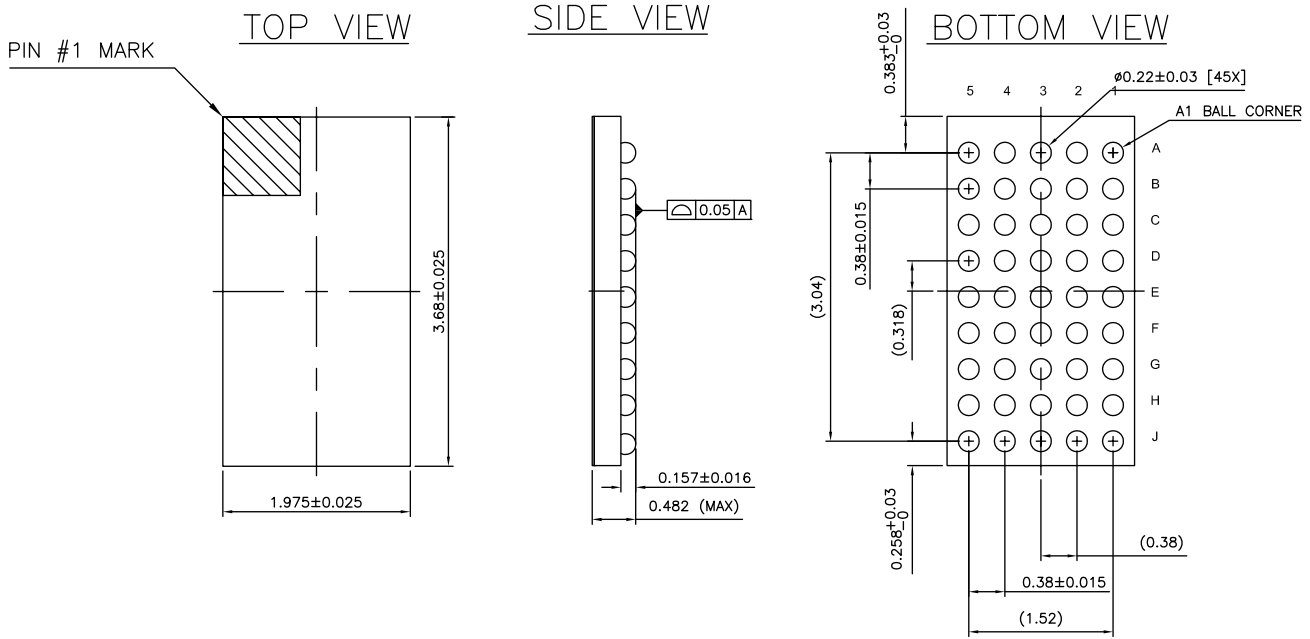


NOTES:

1.  HATCH AREA IS SOLDERABLE EXPOSED PAD
2. REFERENCE JEDEC # MO-248
3. PACKAGE WEIGHT: 68 ±7 mg
4. ALL DIMENSIONS ARE IN MILLIMETERS

001-57280 *E

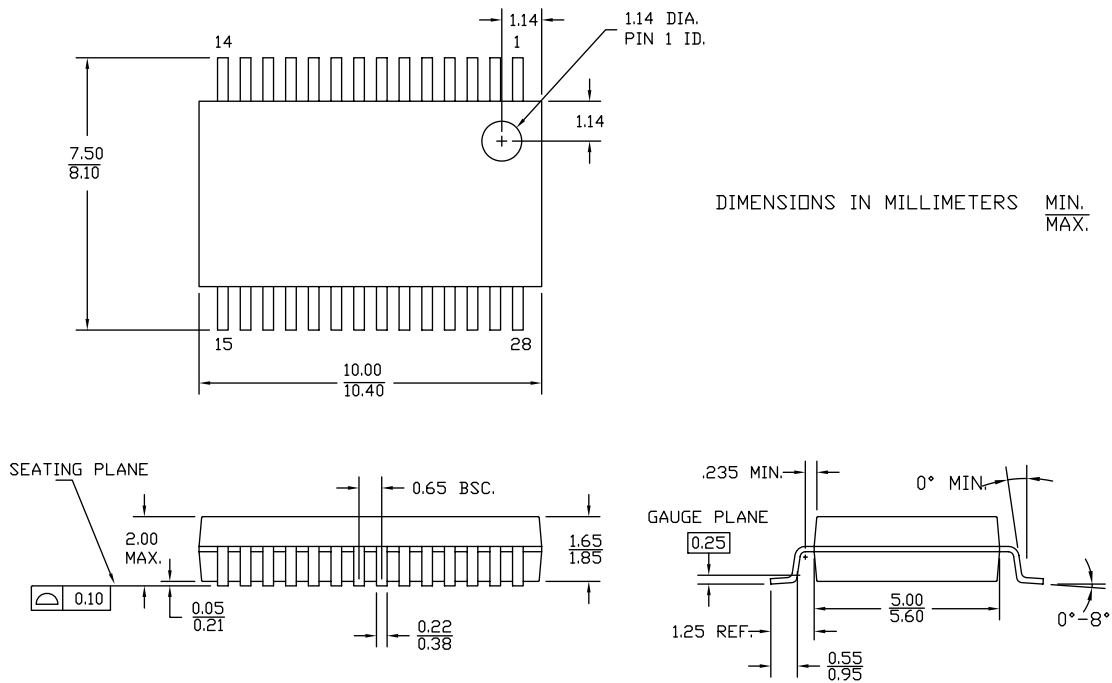
Figure 8. 45-Ball WLCSP Dimensions



ALL DIMENSIONS ARE IN MM
JEDEC Publication 95; Design Guide 4.18

002-10531 **

Figure 9. 28-Pin SSOP Package Outline



51-85079 *F

Acronyms

Table 42. Acronyms Used in this Document

| Acronym | Description |
|---------|---|
| abus | analog local bus |
| ADC | analog-to-digital converter |
| AG | analog global |
| AHB | AMBA (advanced microcontroller bus architecture) high-performance bus, an ARM data transfer bus |
| ALU | arithmetic logic unit |
| AMUXBUS | analog multiplexer bus |
| API | application programming interface |
| APSR | application program status register |
| ARM® | advanced RISC machine, a CPU architecture |
| ATM | automatic thump mode |
| BW | bandwidth |
| CAN | Controller Area Network, a communications protocol |
| CMRR | common-mode rejection ratio |
| CPU | central processing unit |
| CRC | cyclic redundancy check, an error-checking protocol |
| DAC | digital-to-analog converter, see also IDAC, VDAC |
| DFB | digital filter block |
| DIO | digital input/output, GPIO with only digital capabilities, no analog. See GPIO. |
| DMIPS | Dhrystone million instructions per second |
| DMA | direct memory access, see also TD |
| DNL | differential nonlinearity, see also INL |
| DNU | do not use |
| DR | port write data registers |
| DSI | digital system interconnect |
| DWT | data watchpoint and trace |
| ECC | error correcting code |
| ECO | external crystal oscillator |
| EEPROM | electrically erasable programmable read-only memory |
| EMI | electromagnetic interference |
| EMIF | external memory interface |
| EOC | end of conversion |
| EOF | end of frame |
| EPSR | execution program status register |
| ESD | electrostatic discharge |

Table 42. Acronyms Used in this Document (continued)

| Acronym | Description |
|--------------------------|--|
| ETM | embedded trace macrocell |
| FIR | finite impulse response, see also IIR |
| FPB | flash patch and breakpoint |
| FS | full-speed |
| GPIO | general-purpose input/output, applies to a PSoC pin |
| HVI | high-voltage interrupt, see also LVI, LVD |
| IC | integrated circuit |
| IDAC | current DAC, see also DAC, VDAC |
| IDE | integrated development environment |
| I ² C, or IIC | Inter-Integrated Circuit, a communications protocol |
| IIR | infinite impulse response, see also FIR |
| ILO | internal low-speed oscillator, see also IMO |
| IMO | internal main oscillator, see also ILO |
| INL | integral nonlinearity, see also DNL |
| I/O | input/output, see also GPIO, DIO, SIO, USBIO |
| IPOR | initial power-on reset |
| IPSR | interrupt program status register |
| IRQ | interrupt request |
| ITM | instrumentation trace macrocell |
| LCD | liquid crystal display |
| LIN | Local Interconnect Network, a communications protocol. |
| LR | link register |
| LUT | lookup table |
| LVD | low-voltage detect, see also LVI |
| LVI | low-voltage interrupt, see also HVI |
| LVTTTL | low-voltage transistor-transistor logic |
| MAC | multiply-accumulate |
| MCU | microcontroller unit |
| MISO | master-in slave-out |
| NC | no connect |
| NMI | nonmaskable interrupt |
| NRZ | non-return-to-zero |
| NVIC | nested vectored interrupt controller |
| NVL | nonvolatile latch, see also WOL |
| opamp | operational amplifier |
| PAL | programmable array logic, see also PLD |

Table 42. Acronyms Used in this Document (continued)

| Acronym | Description |
|---------|--|
| PC | program counter |
| PCB | printed circuit board |
| PGA | programmable gain amplifier |
| PHUB | peripheral hub |
| PHY | physical layer |
| PICU | port interrupt control unit |
| PLA | programmable logic array |
| PLD | programmable logic device, see also PAL |
| PLL | phase-locked loop |
| PMDD | package material declaration data sheet |
| POR | power-on reset |
| PRES | precise power-on reset |
| PRS | pseudo random sequence |
| PS | port read data register |
| PSoC® | Programmable System-on-Chip™ |
| PSRR | power supply rejection ratio |
| PWM | pulse-width modulator |
| RAM | random-access memory |
| RISC | reduced-instruction-set computing |
| RMS | root-mean-square |
| RTC | real-time clock |
| RTL | register transfer language |
| RTR | remote transmission request |
| RX | receive |
| SAR | successive approximation register |
| SC/CT | switched capacitor/continuous time |
| SCL | I ² C serial clock |
| SDA | I ² C serial data |
| S/H | sample and hold |
| SINAD | signal to noise and distortion ratio |
| SIO | special input/output, GPIO with advanced features. See GPIO. |
| SOC | start of conversion |
| SOF | start of frame |
| SPI | Serial Peripheral Interface, a communications protocol |
| SR | slew rate |
| SRAM | static random access memory |
| SRES | software reset |
| SWD | serial wire debug, a test protocol |

Table 42. Acronyms Used in this Document (continued)

| Acronym | Description |
|---------|--|
| SWV | single-wire viewer |
| TD | transaction descriptor, see also DMA |
| THD | total harmonic distortion |
| TIA | transimpedance amplifier |
| TRM | technical reference manual |
| TTL | transistor-transistor logic |
| TX | transmit |
| UART | Universal Asynchronous Transmitter Receiver, a communications protocol |
| UDB | universal digital block |
| USB | Universal Serial Bus |
| USBIO | USB input/output, PSoC pins used to connect to a USB port |
| VDAC | voltage DAC, see also DAC, IDAC |
| WDT | watchdog timer |
| WOL | write once latch, see also NVL |
| WRES | watchdog timer reset |
| XRES | external reset I/O pin |
| XTAL | crystal |

Document Conventions

Units of Measure

Table 43. Units of Measure

| Symbol | Unit of Measure |
|--------|------------------------|
| °C | degrees Celsius |
| dB | decibel |
| fF | femto farad |
| Hz | hertz |
| KB | 1024 bytes |
| kbps | kilobits per second |
| Khr | kilohour |
| kHz | kilohertz |
| kΩ | kilo ohm |
| ksps | kilosamples per second |
| LSB | least significant bit |
| Mbps | megabits per second |
| MHz | megahertz |
| MΩ | mega-ohm |
| Msps | megasamples per second |
| μA | microampere |
| μF | microfarad |
| μH | microhenry |
| μs | microsecond |
| μV | microvolt |
| μW | microwatt |
| mA | milliampere |
| ms | millisecond |
| mV | millivolt |
| nA | nanoampere |
| ns | nanosecond |
| nV | nanovolt |
| Ω | ohm |
| pF | picofarad |
| ppm | parts per million |
| ps | picosecond |
| s | second |
| sps | samples per second |
| sqrtHz | square root of hertz |
| V | volt |

Errata

This section describes the errata for the PSoC Analog Coprocessor, CY8C4Axx product family. Details include errata trigger conditions, scope of impact, available workarounds, and silicon revision applicability. Contact your local Cypress Sales Representative if you have questions. For a list of sales offices, go to <http://www.cypress.com/sales>.

Part Numbers Affected

| Part Number | Device Characteristics |
|-------------|--|
| CY8C4Axx | PSoC Analog Coprocessor Product Family |

PSoC Analog Coprocessor Qualification Status

Product Status: Engineering Samples

PSoC Analog Coprocessor Errata Summary

The following table defines the errata applicability to available PSoC Analog Coprocessor family devices.

| Items | CY8C4Axx | Silicon Revision | Fix Status |
|---|----------|------------------|---|
| 1. Sensitivity in capacitance measurement | All | First silicon | Silicon and/or firmware fix is planned in Q3 2016 |
| 2. SNR value in Switched Cap Filter | All | First silicon | Silicon and/or firmware fix is planned in Q3 2016 |

1. Sensitivity in capacitance measurement

■ Problem Definition

Sensitivity in Capacitance measurement is 0.2 pF instead of 0.1 pF as specified.

■ Parameters Affected

Datasheet parameter SID313 (SNR) is measured as 0.2 pF instead of 0.1 pF as specified.

■ Trigger Condition(s)

No specific trigger condition.

■ Scope Of Impact

Reduced sensitivity implies some corner cases will exhibit increased susceptibility to noise and may not work.

■ Workaround

None

■ Fix Status

Silicon and/or firmware fix is planned in Q3 2016 when this erratum will be removed from the datasheet.

2. SNR value in Switched Cap Filter

■ Problem Definition

SNR is measured as 58 dB instead of 64 dB as specified.

■ Parameters Affected

Datasheet parameter SID_SC_1 (Signal-to-Noise Ratio).

■ Trigger Condition(s)

No specific trigger condition.

■ Scope Of Impact

Reduced sensitivity to noise.

■ Workaround

None

■ Fix Status

Silicon and/or firmware fix is planned in Q3 2016 when this erratum will be removed from the datasheet.

Revision History

| Description Title: PSoC® Analog Coprocessor: CY8C4Axx Family Datasheet Programmable System-on-Chip (PSoC®) Document Number: 001-96467 | | | | |
|--|---------|-----------------|-----------------|---|
| Revision | ECN | Orig. of Change | Submission Date | Description of Change |
| *E | 5312324 | GUL/WKA | 06/30/2016 | Release to web |
| *F | 5518120 | WKA | 11/11/2016 | Formatted page layout for Alternate Pin Functions . |

Sales, Solutions, and Legal Information

Worldwide Sales and Design Support

Cypress maintains a worldwide network of offices, solution centers, manufacturer's representatives, and distributors. To find the office closest to you, visit us at [Cypress Locations](#).

Products

| | |
|-------------------------------|--|
| ARM® Cortex® Microcontrollers | cypress.com/arm |
| Automotive | cypress.com/automotive |
| Clocks & Buffers | cypress.com/clocks |
| Interface | cypress.com/interface |
| Internet of Things | cypress.com/iot |
| Lighting & Power Control | cypress.com/powerpsoc |
| Memory | cypress.com/memory |
| PSoC | cypress.com/psoc |
| Touch Sensing | cypress.com/touch |
| USB Controllers | cypress.com/usb |
| Wireless/RF | cypress.com/wireless |

PSoC® Solutions

cypress.com/psoc
PSoC 1 | PSoC 3 | PSoC 4 | PSoC 5LP

Cypress Developer Community

[Community](#) | [Forums](#) | [Blogs](#) | [Video](#) | [Training](#)

Technical Support

cypress.com/support

© Cypress Semiconductor Corporation 2015-2016. This document is the property of Cypress Semiconductor Corporation and its subsidiaries, including Spansion LLC ("Cypress"). This document, including any software or firmware included or referenced in this document ("Software"), is owned by Cypress under the intellectual property laws and treaties of the United States and other countries worldwide. Cypress reserves all rights under such laws and treaties and does not, except as specifically stated in this paragraph, grant any license under its patents, copyrights, trademarks, or other intellectual property rights. If the Software is not accompanied by a license agreement and you do not otherwise have a written agreement with Cypress governing the use of the Software, then Cypress hereby grants you under its copyright rights in the Software, a personal, non-exclusive, nontransferable license (without the right to sublicense) (a) for Software provided in source code form, to modify and reproduce the Software solely for use with Cypress hardware products, only internally within your organization, and (b) to distribute the Software in binary code form externally to end users (either directly or indirectly through resellers and distributors), solely for use on Cypress hardware product units. Cypress also grants you a personal, non-exclusive, nontransferable, license (without the right to sublicense) under those claims of Cypress's patents that are infringed by the Software (as provided by Cypress, unmodified) to make, use, distribute, and import the Software solely to the minimum extent that is necessary for you to exercise your rights under the copyright license granted in the previous sentence. Any other use, reproduction, modification, translation, or compilation of the Software is prohibited.

CYPRESS MAKES NO WARRANTY OF ANY KIND, EXPRESS OR IMPLIED, WITH REGARD TO THIS DOCUMENT OR ANY SOFTWARE, INCLUDING, BUT NOT LIMITED TO, THE IMPLIED WARRANTIES OF MERCHANTABILITY AND FITNESS FOR A PARTICULAR PURPOSE. Cypress reserves the right to make changes to this document without further notice. Cypress does not assume any liability arising out of the application or use of any product or circuit described in this document. Any information provided in this document, including any sample design information or programming code, is provided only for reference purposes. It is the responsibility of the user of this document to properly design, program, and test the functionality and safety of any application made of this information and any resulting product. Cypress products are not designed, intended, or authorized for use as critical components in systems designed or intended for the operation of weapons, weapons systems, nuclear installations, life-support devices or systems, other medical devices or systems (including resuscitation equipment and surgical implants), pollution control or hazardous substances management, or other uses where the failure of the device or system could cause personal injury, death, or property damage ("Unintended Uses"). A critical component is any component of a device or system whose failure to perform can be reasonably expected to cause the failure of the device or system, or to affect its safety or effectiveness. Cypress is not liable, in whole or in part, and Company shall and hereby does release Cypress from any claim, damage, or other liability arising from or related to all Unintended Uses of Cypress products. Company shall indemnify and hold Cypress harmless from and against all claims, costs, damages, and other liabilities, including claims for personal injury or death, arising from or related to any Unintended Uses of Cypress products.

Cypress, the Cypress logo, Spansion, the Spansion logo, and combinations thereof, WICED, PSoC, CapSense, EZ-USB, F-RAM, and Traveo are trademarks or registered trademarks of Cypress in the United States and other countries. For a more complete list of Cypress trademarks, visit cypress.com. Other names and brands may be claimed as property of their respective owners.



Компания «ЭлектроПласт» предлагает заключение долгосрочных отношений при поставках импортных электронных компонентов на взаимовыгодных условиях!

Наши преимущества:

- Оперативные поставки широкого спектра электронных компонентов отечественного и импортного производства напрямую от производителей и с крупнейших мировых складов;
- Поставка более 17-ти миллионов наименований электронных компонентов;
- Поставка сложных, дефицитных, либо снятых с производства позиций;
- Оперативные сроки поставки под заказ (от 5 рабочих дней);
- Экспресс доставка в любую точку России;
- Техническая поддержка проекта, помощь в подборе аналогов, поставка прототипов;
- Система менеджмента качества сертифицирована по Международному стандарту ISO 9001;
- Лицензия ФСБ на осуществление работ с использованием сведений, составляющих государственную тайну;
- Поставка специализированных компонентов (Xilinx, Altera, Analog Devices, Intersil, Interpoint, Microsemi, Aeroflex, Peregrine, Syfer, Eurofarad, Texas Instrument, Miteq, Cobham, E2V, MA-COM, Hittite, Mini-Circuits, General Dynamics и др.);

Помимо этого, одним из направлений компании «ЭлектроПласт» является направление «Источники питания». Мы предлагаем Вам помощь Конструкторского отдела:

- Подбор оптимального решения, техническое обоснование при выборе компонента;
- Подбор аналогов;
- Консультации по применению компонента;
- Поставка образцов и прототипов;
- Техническая поддержка проекта;
- Защита от снятия компонента с производства.



Как с нами связаться

Телефон: 8 (812) 309 58 32 (многоканальный)

Факс: 8 (812) 320-02-42

Электронная почта: org@eplast1.ru

Адрес: 198099, г. Санкт-Петербург, ул. Калинина, дом 2, корпус 4, литера А.