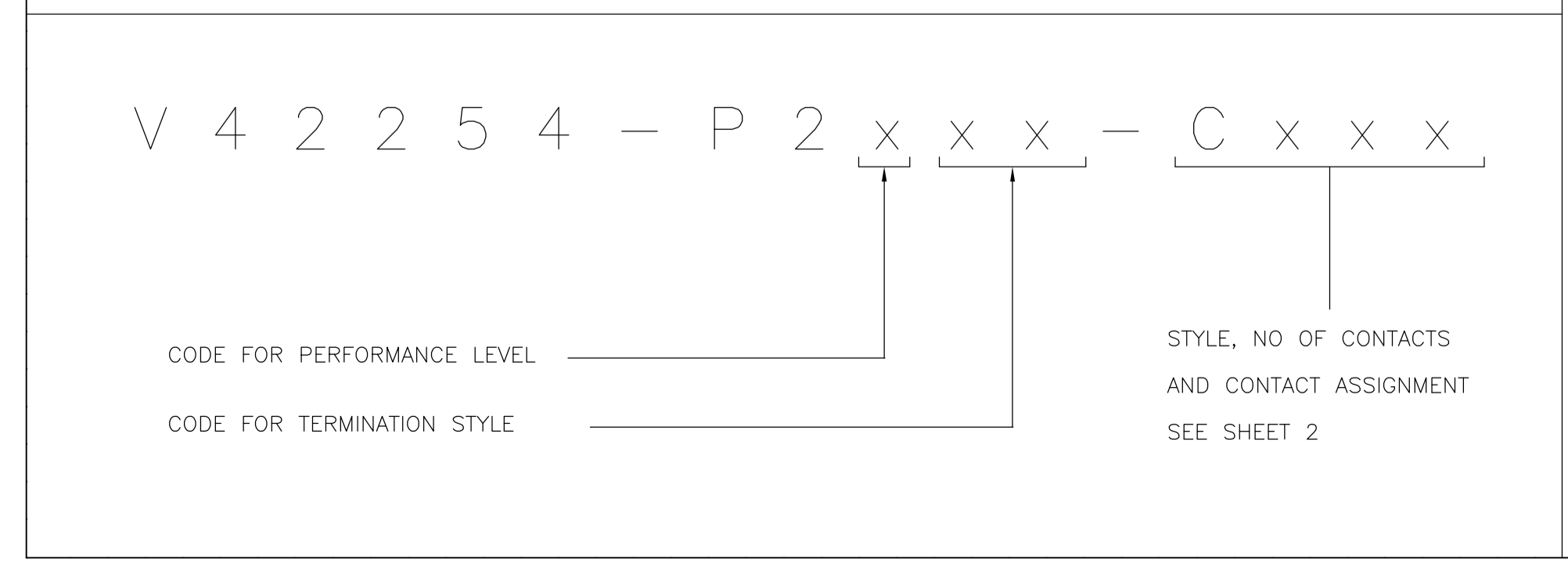
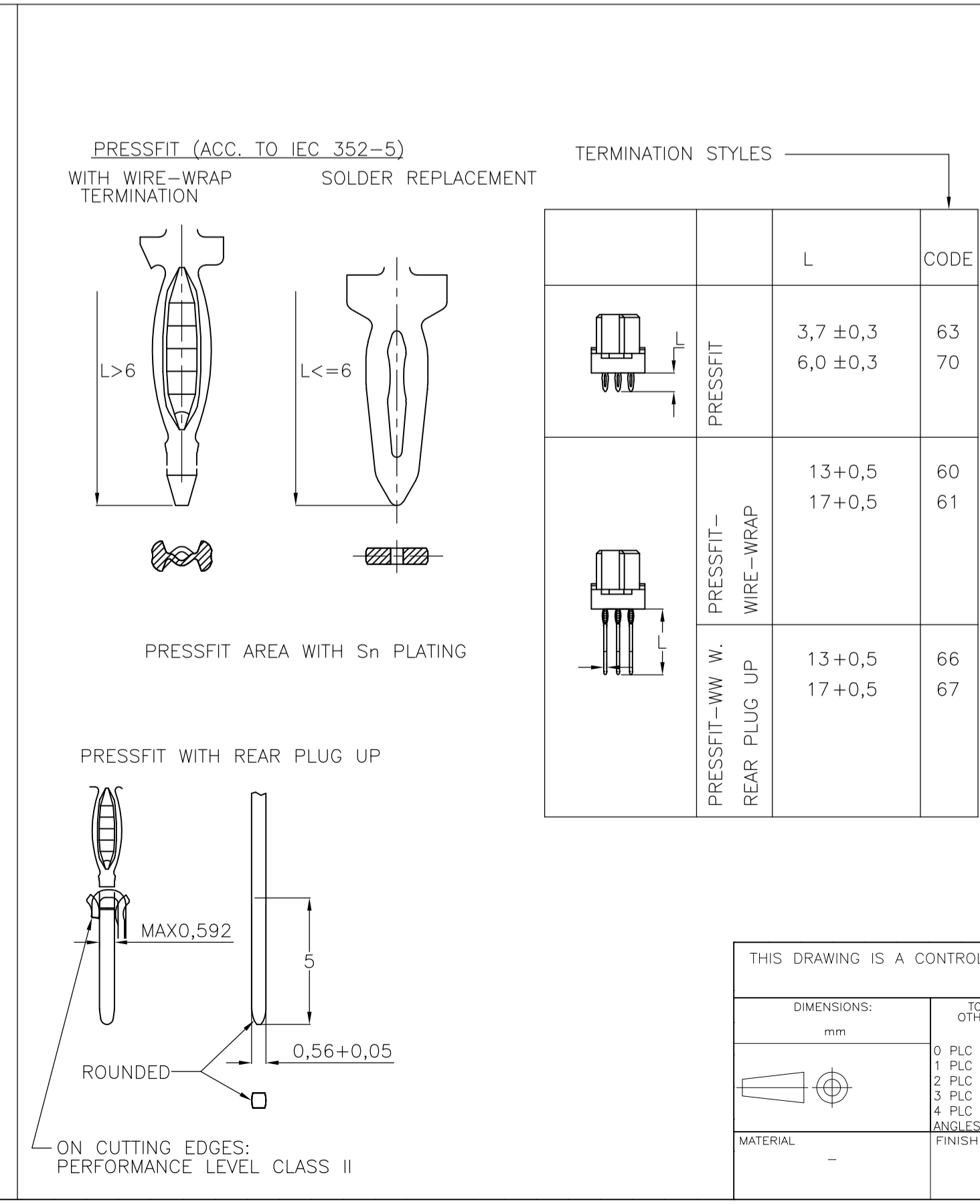
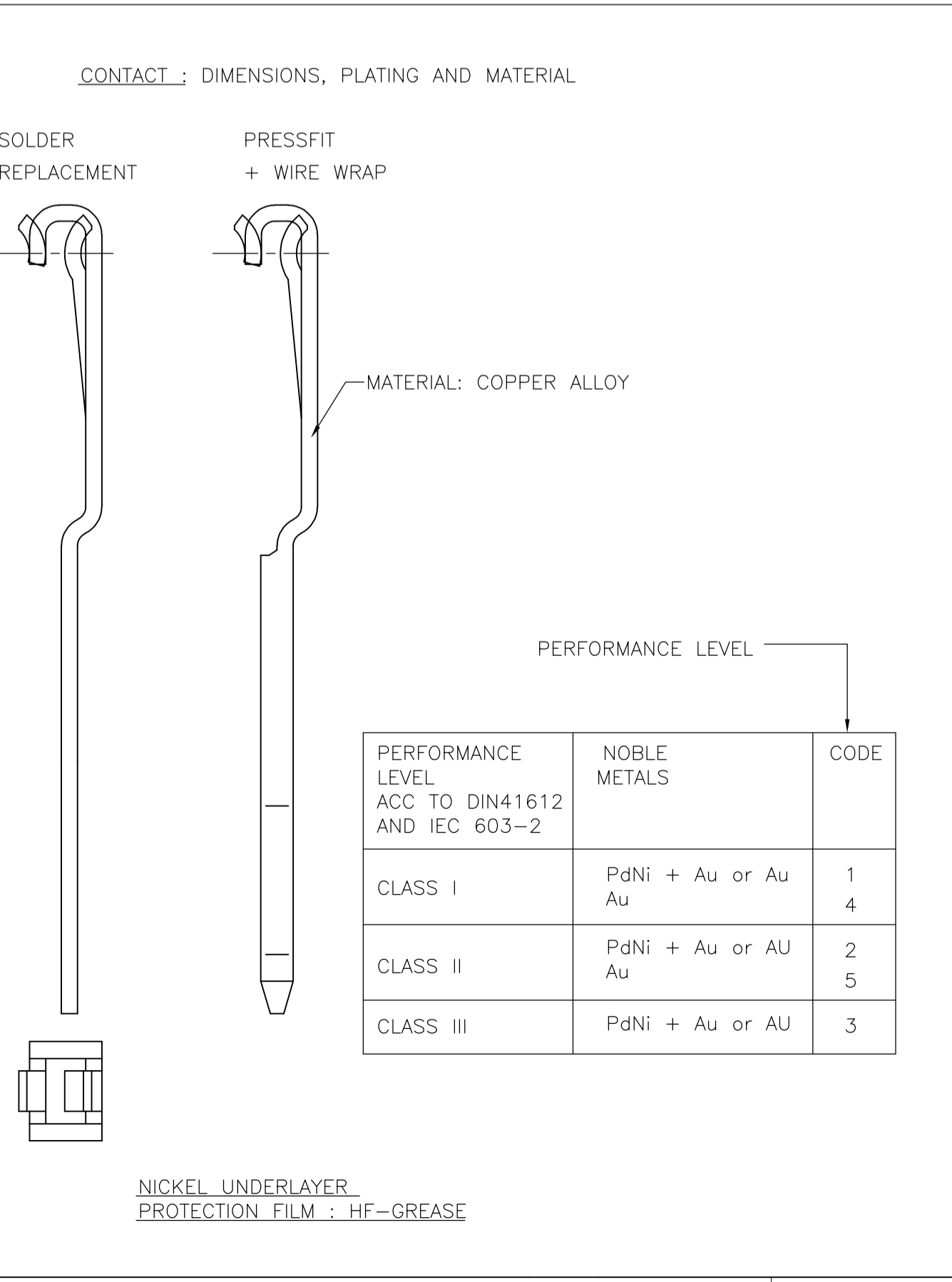
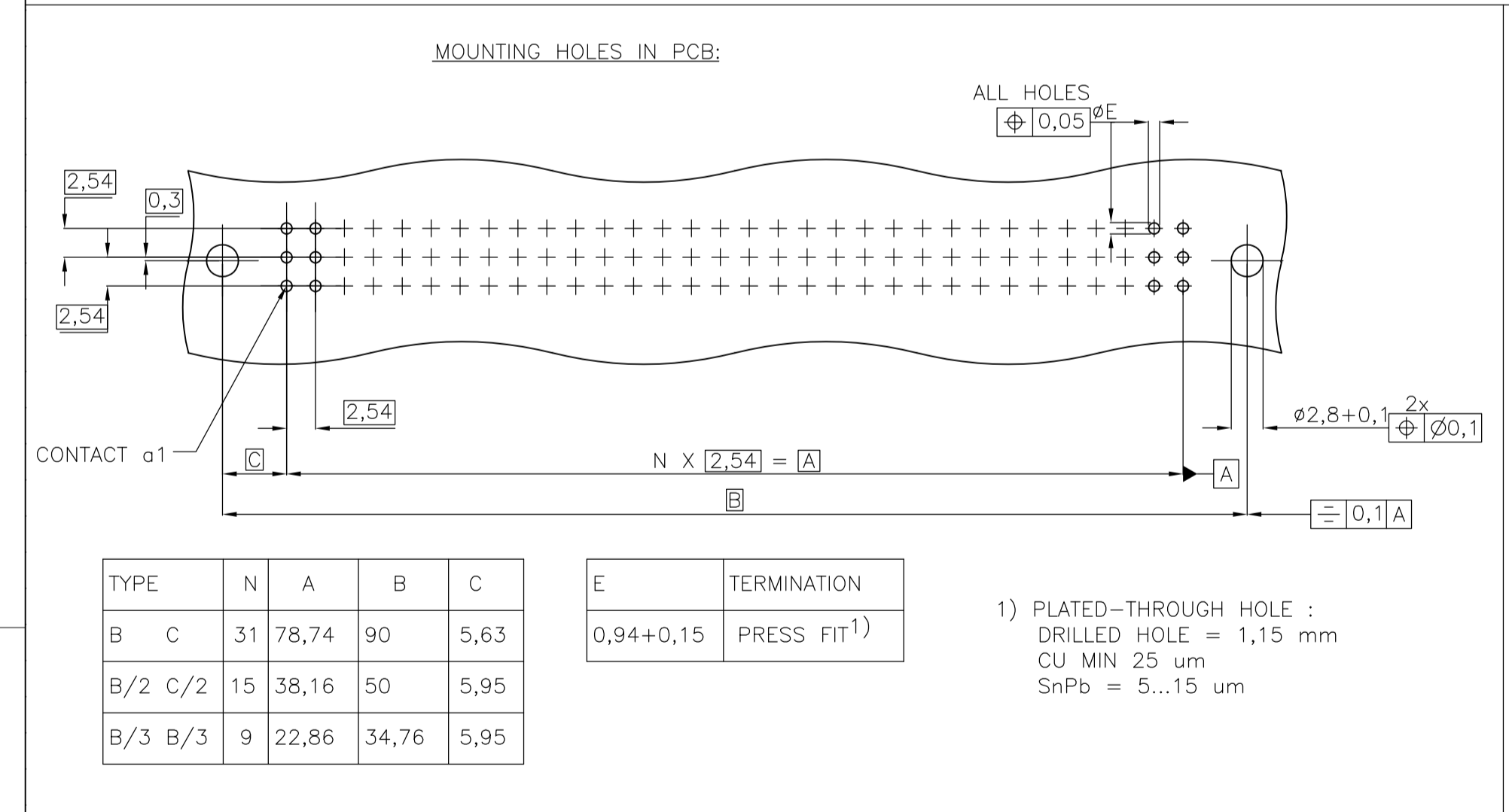
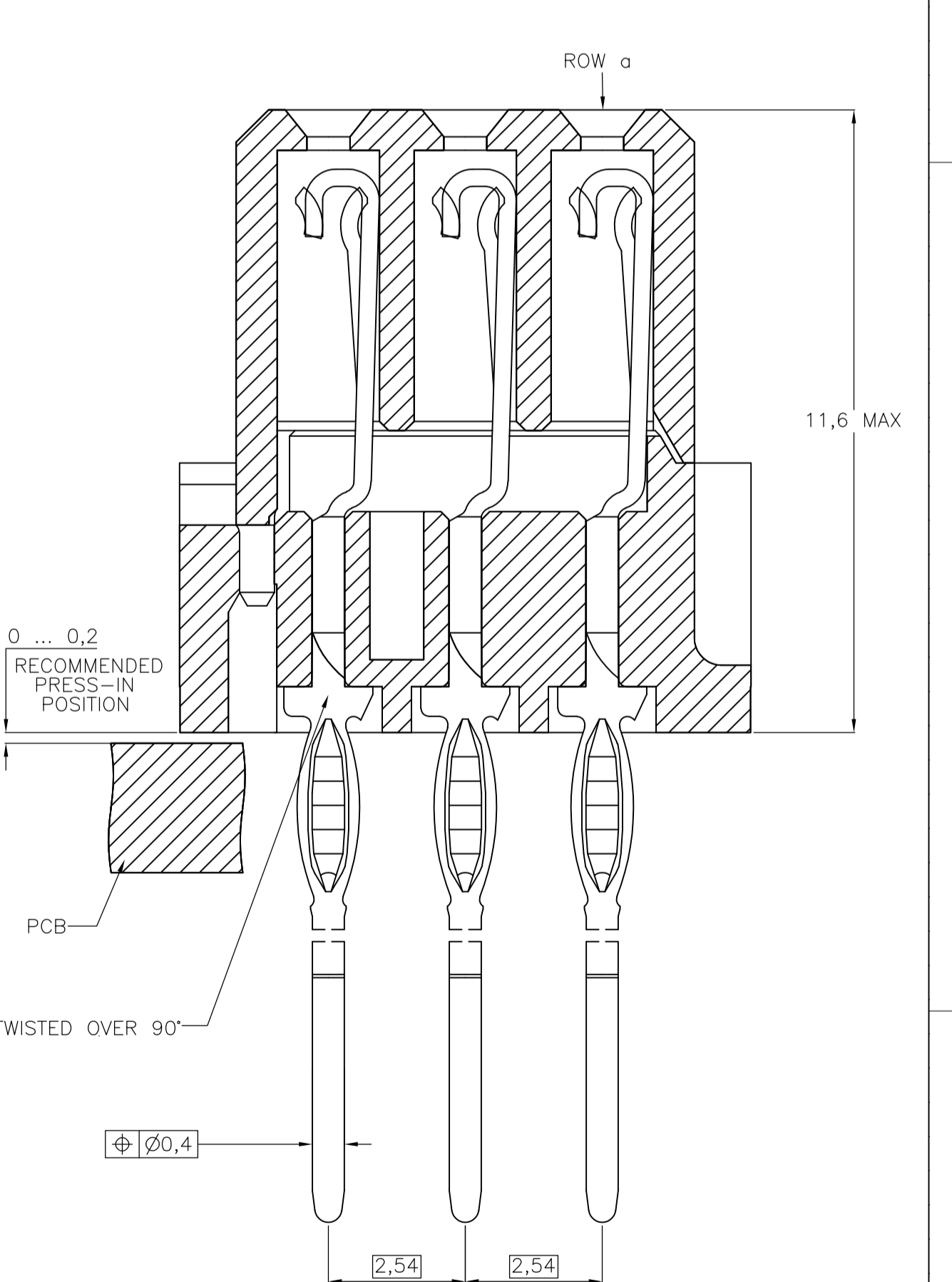
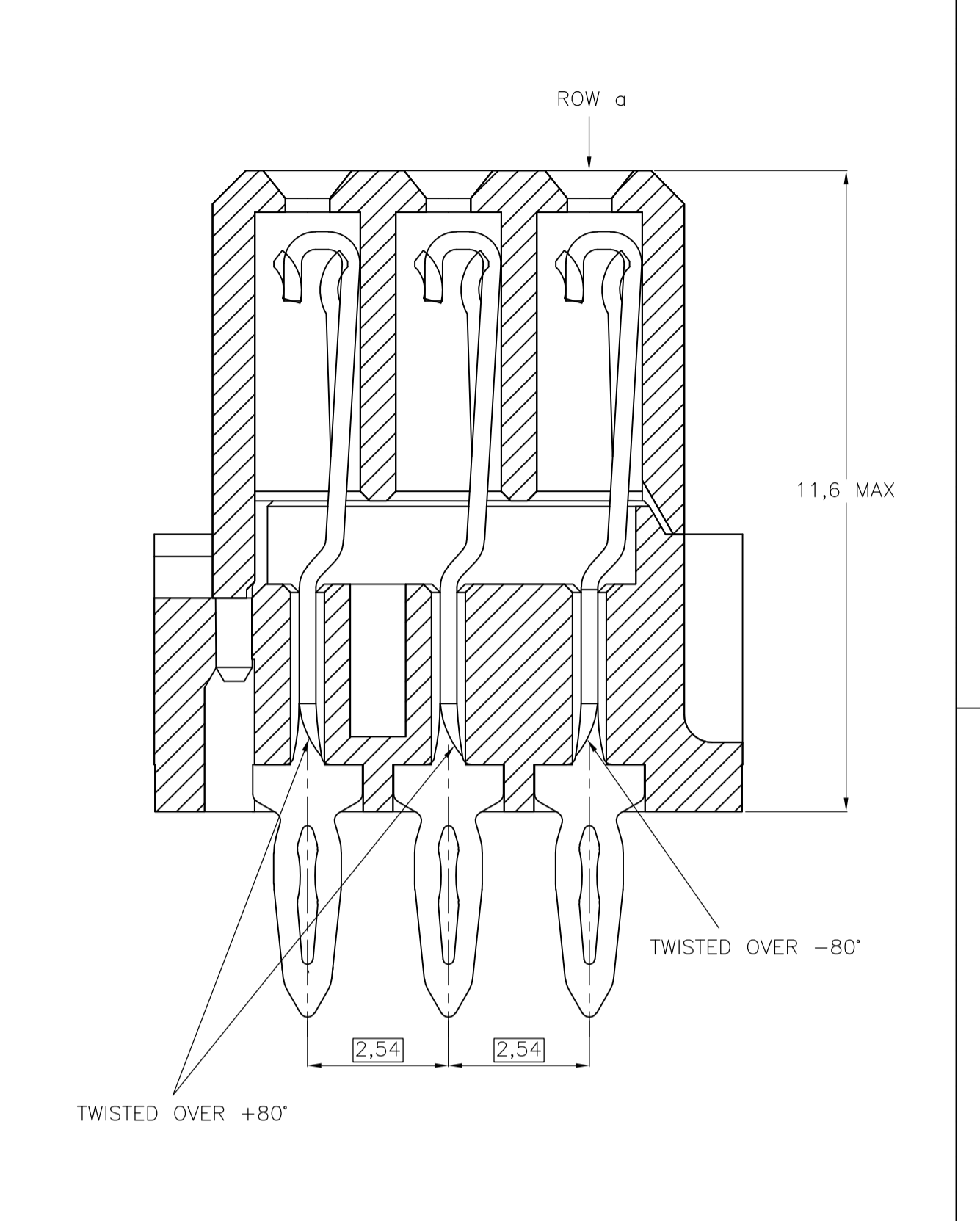


LOC	DIST	REVISIONS			
F	LTR	DESCRIPTION	DATE	DNW	APVD
D4	ECR-08-012252		18-03-09		AEG MKO
D5	ECR-10-002555		01JUN10		RK MKO
D6	ECR-10-004503		13SEP11		RK MKO



THIS DRAWING IS A CONTROLLED DOCUMENT.

DIMENSIONS: mm	TOLERANCES UNLESS OTHERWISE SPECIFIED:	0 PLC ±	1 PLC ±	2 PLC ±	3 PLC ±	4 PLC ±	ANGLES ±
MATERIAL	FINISH	WEIGHT	SIZE	CAGE CODE	DRAWING NO.	RESTRICTED TO	
			A1	00779	1393637-7		

CUSTOMER DRAWING

SCALE NTS

SHEET 1 OF 2

REV D6


OLD PART NUMBER	TE PIN	STYLE & NUMBER OF POSITIONS	TERMINATION POSTS	LOADED ROWS	PERFORMANCE LEVEL	BOARD LOCKS
V42254-P2163-C483	1393637-6	C48	3,7mm PRESS-IN TERMINALS	ROW A+C , EVERY PITCH	1	NO
V42254-P2163-C960	1393637-7	C96	3,7mm PRESS-IN TERMINALS	EVERY ROW , EVERY PITCH	1	NO
V42254-P2163-C963	1393637-9	C96	3,7mm PRESS-IN TERMINALS	ROW A+C , EVERY PITCH	1	NO
V42254-P2167-C960	1-1393637-0	C96	17mm PRESS-IN TERMINALS WITH WIRE-WRAP AND INSERTION AREA LEVEL 2	EVERY ROW , EVERY PITCH	1	NO
V42254-P2170-C960	1-1393637-2	C96	6,0mm PRESS-IN TERMINALS	EVERY ROW , EVERY PITCH	1	NO
V42254-P2260-B640	1-1393637-9	B64	13mm PRESS-IN TERMINALS WITH WIRE-WRAP	EVERY ROW , EVERY PITCH	2	NO
V42254-P2260-B640N	2-1393637-0	B64	13mm PRESS-IN TERMINALS WITH WIRE-WRAP	EVERY ROW , EVERY PITCH	2	NO
V42254-P2260-C480	2-1393637-2	C48	13mm PRESS-IN TERMINALS WITH WIRE-WRAP	EVERY ROW , EVERY PITCH	2	NO
V42254-P2260-C960	2-1393637-3	C96	13mm PRESS-IN TERMINALS WITH WIRE-WRAP	EVERY ROW , EVERY PITCH	2	NO
V42254-P2260-C962	2-1393637-5	C96	13mm PRESS-IN TERMINALS WITH WIRE-WRAP	ROW A+B , EVERY PITCH	2	NO
V42254-P2260-C963	2-1393637-6	C96	13mm PRESS-IN TERMINALS WITH WIRE-WRAP	ROW A+C , EVERY PITCH	2	NO
V42254-P2261-B640	2-1393637-8	B64	17mm PRESS-IN TERMINALS WITH WIRE-WRAP	EVERY ROW , EVERY PITCH	2	NO
V42254-P2261-C960	2-1393637-9	C96	17mm PRESS-IN TERMINALS WITH WIRE-WRAP	EVERY ROW , EVERY PITCH	2	NO
V42254-P2261-C963	3-1393637-0	C96	17mm PRESS-IN TERMINALS WITH WIRE-WRAP	ROW A+C , EVERY PITCH	2	NO
V42254-P2263-B320	3-1393637-3	B32	3,7mm PRESS-IN TERMINALS	EVERY ROW , EVERY PITCH	2	NO
V42254-P2263-B325	3-1393637-4	B32	3,7mm PRESS-IN TERMINALS	EVERY ROW , EVERY EVEN PITCH	2	NO
V42254-P2263-B325N	3-1393637-5	B32	3,7mm PRESS-IN TERMINALS	EVERY ROW , EVERY EVEN PITCH	2	NO
V42254-P2263-B640	3-1393637-6	B64	3,7mm PRESS-IN TERMINALS	EVERY ROW , EVERY PITCH	2	NO
V42254-P2263-C300	4-1393637-0	C30	3,7mm PRESS-IN TERMINALS	EVERY ROW , EVERY PITCH	2	NO
V42254-P2263-C303	4-1393637-2	C30	3,7mm PRESS-IN TERMINALS	ROW A+C , EVERY PITCH	2	NO
V42254-P2263-C480	4-1393637-4	C48	3,7mm PRESS-IN TERMINALS	EVERY ROW , EVERY PITCH	2	NO
V42254-P2263-C480N	4-1393637-5	C48	3,7mm PRESS-IN TERMINALS	EVERY ROW , EVERY PITCH	2	NO
V42254-P2263-C483	2-1392009-7	C48	3,7mm PRESS-IN TERMINALS	ROW A+C , EVERY PITCH	2	NO
V42254-P2263-C960	4-1393637-6	C96	3,7mm PRESS-IN TERMINALS	EVERY ROW , EVERY PITCH	2	NO
V42254-P2263-C963	4-1393637-9	C96	3,7mm PRESS-IN TERMINALS	ROW A+C , EVERY PITCH	2	NO
V42254-P2263-C965	5-1393637-2	C96	3,7mm PRESS-IN TERMINALS	EVERY ROW , EVERY EVEN PITCH	2	NO
V42254-P2263-C968	5-1393637-3	C96	3,7mm PRESS-IN TERMINALS	ROW A+C , EVERY EVEN PITCH	2	NO
V42254-P2266-B320	6-1393637-2	B32	13mm PRESS-IN TERMINALS WITH WIRE-WRAP AND INSERTION AREA LEVEL 2	EVERY ROW , EVERY PITCH	2	NO
V42254-P2266-B640	6-1393637-3	B64	13mm PRESS-IN TERMINALS WITH WIRE-WRAP AND INSERTION AREA LEVEL 2	EVERY ROW , EVERY PITCH	2	NO
V42254-P2266-C480	6-1393637-5	C48	13mm PRESS-IN TERMINALS WITH WIRE-WRAP AND INSERTION AREA LEVEL 2	EVERY ROW , EVERY PITCH	2	NO
V42254-P2266-C960	6-1393637-6	C96	13mm PRESS-IN TERMINALS WITH WIRE-WRAP AND INSERTION AREA LEVEL 2	EVERY ROW , EVERY PITCH	2	NO
V42254-P2266-C963	6-1393637-9	C96	13mm PRESS-IN TERMINALS WITH WIRE-WRAP AND INSERTION AREA LEVEL 2	ROW A+C , EVERY PITCH	2	NO
V42254-P2266-C965	7-1393637-0	C96	13mm PRESS-IN TERMINALS WITH WIRE-WRAP AND INSERTION AREA LEVEL 2	EVERY ROW , EVERY EVEN PITCH	2	NO
V42254-P2266-C968	7-1393637-1	C96	13mm PRESS-IN TERMINALS WITH WIRE-WRAP AND INSERTION AREA LEVEL 2	ROW A+C , EVERY EVEN PITCH	2	NO
V42254-P2267-C960	7-1393637-3	C96	17mm PRESS-IN TERMINALS WITH WIRE-WRAP AND INSERTION AREA LEVEL 2	EVERY ROW , EVERY PITCH	2	NO
V42254-P2267-C963	7-1393637-4	C96	17mm PRESS-IN TERMINALS WITH WIRE-WRAP AND INSERTION AREA LEVEL 2	ROW A+C , EVERY PITCH	2	NO
V42254-P2270-C483	2-1392009-0	C48	6,0mm PRESS-IN TERMINALS	ROW A+C , EVERY PITCH	2	NO
V42254-P2270-C960	8-1393637-0	C96	6,0mm PRESS-IN TERMINALS	EVERY ROW , EVERY PITCH	2	NO
V42254-P2270-C960N	8-1393637-2	C96	6,0mm PRESS-IN TERMINALS	EVERY ROW , EVERY PITCH	2	NO
V42254-P2270-C963	8-1393637-4	C96	6,0mm PRESS-IN TERMINALS	ROW A+C , EVERY PITCH	2	NO
V42254-P2270-C963N	8-1393637-6	C96	6,0mm PRESS-IN TERMINALS	ROW A+C , EVERY PITCH	2	NO
V42254-P2270-C968	8-1393637-7	C96	6,0mm PRESS-IN TERMINALS	ROW A+C , EVERY EVEN PITCH	2	NO
V42254-P2470-C960	1-1393638-2	C96	6,0mm PRESS-IN TERMINALS	EVERY ROW , EVERY PITCH	1	NO
V42254-P2470-C963	1-1393638-3	C96	6,0mm PRESS-IN TERMINALS	ROW A+C , EVERY PITCH	1	NO

SUPERSEDED BY 4-1393637-6

SUPERSEDED BY 7-1393637-3

SUPERSEDED BY 5650865-5

1) CONNECTORS WITHOUT MARKING, IN TE PACKAGING.
ACTIVE PART NUMBERS.
CONTACT TE FOR OTHER CONFIGURATION AVAILABILITY

THIS DRAWING IS A CONTROLLED DOCUMENT.		DN CUVELLIER	07JUN94	 TE Connectivity	
DIMENSIONS: mm		CHK	-		
TOLERANCES UNLESS OTHERWISE SPECIFIED:		APVD	-	NAME	
0 PLC ± - 1 PLC ± - 2 PLC ± - 3 PLC ± - 4 PLC ± - ANGLES ± -		PRODUCT SPEC		RECEPTACLE ASSEMBLY EUROCARD PRESS FIT, TYPES B,C AND SHORT VERSIONS (PN:V42254-P2***-C***-7626)	
MATERIAL		APPLICATION SPEC		SIZE	RESTRICTED TO
FINISH		WEIGHT		A1	00779
CUSTOMER DRAWING		SCALE		NTS	SHEET 2 OF 2
		DRAWING NO		REV D6	



Компания «ЭлектроПласт» предлагает заключение долгосрочных отношений при поставках импортных электронных компонентов на взаимовыгодных условиях!

Наши преимущества:

- Оперативные поставки широкого спектра электронных компонентов отечественного и импортного производства напрямую от производителей и с крупнейших мировых складов;
- Поставка более 17-ти миллионов наименований электронных компонентов;
- Поставка сложных, дефицитных, либо снятых с производства позиций;
- Оперативные сроки поставки под заказ (от 5 рабочих дней);
- Экспресс доставка в любую точку России;
- Техническая поддержка проекта, помощь в подборе аналогов, поставка прототипов;
- Система менеджмента качества сертифицирована по Международному стандарту ISO 9001;
- Лицензия ФСБ на осуществление работ с использованием сведений, составляющих государственную тайну;
- Поставка специализированных компонентов (Xilinx, Altera, Analog Devices, Intersil, Interpoint, Microsemi, Aeroflex, Peregrine, Syfer, Eurofarad, Texas Instrument, Miteq, Cobham, E2V, MA-COM, Hittite, Mini-Circuits, General Dynamics и др.);

Помимо этого, одним из направлений компании «ЭлектроПласт» является направление «Источники питания». Мы предлагаем Вам помощь Конструкторского отдела:

- Подбор оптимального решения, техническое обоснование при выборе компонента;
- Подбор аналогов;
- Консультации по применению компонента;
- Поставка образцов и прототипов;
- Техническая поддержка проекта;
- Защита от снятия компонента с производства.



Как с нами связаться

Телефон: 8 (812) 309 58 32 (многоканальный)

Факс: 8 (812) 320-02-42

Электронная почта: org@eplast1.ru

Адрес: 198099, г. Санкт-Петербург, ул. Калинина, дом 2, корпус 4, литера А.