

Helping Customers Innovate, Improve & Grow



### Features

- EFC Standard
- Small Size
- 100% RoHS Compliant
- Low Profile
- Frequency range of 6.4 - 52 MHz
- Standard Frequencies: 10, 12.8, 16.384, 19.44, 20, 20.48 MHz

### Applications

- PCS Base Stations
- Land Mobile Radio
- Cellular Telephony
- Radio in the Local Loop

### Previous Vectron Model Numbers - C2260

### Performance Specifications

Frequency Stabilities <sup>1</sup>						
Parameter	Min	Typical	Max	Units	Condition	
vs. operating temperature range (referenced to +25°C)	-1.5		+1.5	ppm	-40 to +85°C	Options <sup>5</sup>
	-1.0		+1.0	ppm	-40 to +85°C	
	-2.5		+2.5	ppm	-20 to +70°C	
	-1.0		+1.0	ppm	-20 to +70°C	
	-1.0		+1.0	ppm	0 to +50°C	
	-0.5		+0.5	ppm	0 to +50°C	
Initial tolerance	-2.5		+2.5	ppm	at time of shipment, nominal EFC	
vs. supply voltage change	-0.5		+0.5	ppm	V <sub>S</sub> ±5%	
vs. load change	-0.2		+0.2	ppm	Load ±10%	
vs. aging / 1 Year	-1.0		+1.0	ppm	after 30 days of operation	
Frequency Stabilities <sup>1</sup> (Stratum 3 TCXO) <32MHz						
vs. operating temperature range (referenced to +25°C)	-0.80		+0.80	ppm	-20 to +70°C	Options <sup>5</sup>
	-0.28		+0.28	ppm	0 to +50°C	
	-0.28		+0.28	ppm	-20 to +70°C	
	-0.80		+0.80	ppm	-40 to +85°C	
	-0.28		+0.28	ppm	-30 to +85°C	
	-0.28		+0.28	ppm	-40 to +85°C	
Initial tolerance	-1.0		+1.0	ppm	at time of shipment, nominal EFC	
vs. supply voltage change	-0.2		+0.2	ppm	V <sub>S</sub> ±5% static	
vs. load change	-0.1		+0.1	ppm	Load ±5% static	
vs. aging / 20 Years	-2.5		+2.5	ppm	Note:*Stratum 3 per GR-1244-CORE:	
Overall tolerance	-4.6		+4.6	ppm	<±4.6ppm for all causes and 20 years aging, holdover: <±0.37ppm over 24 hours	

# Performance Specifications

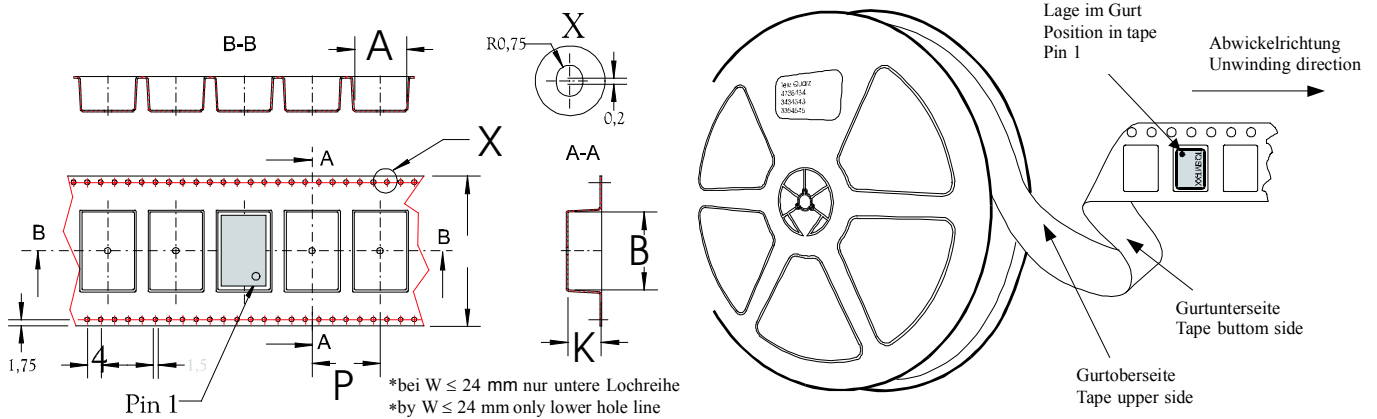
Frequency Stabilities <sup>1</sup>						
Parameter	Min	Typical	Max	Units	Condition	
vs. operating temperature range (referenced to +25°C) For 10, 12.8, 16.384, 20.26 MHz	-0.15		+0.15	ppm	0 to +50°C	
Initial tolerance	-1.0		+1.0	ppm	at time of shipment, nominal EFC V <sub>s</sub> ±5% Load ±10% Note:*Stratum 3 per GR-1244-CORE: <±4.6ppm for all causes and 20 years aging, holdover: <±0.37ppm over 24 hours	
vs. supply voltage change	-0.2		+0.2	ppm		
vs. load change	-0.1		+0.1	ppm		
vs. aging / 20 Years	-2.5		+2.5	ppm		
Overall tolerance	-4.6		+4.6	ppm		

Supply Voltage (Vs)						
Parameter	Min	Typical	Max	Units	Condition	
Supply voltage (standard)	3.135	3.3	3.465	VDC		
Current consumption			6	mA	steady state @ +25°C	
RF Output (Clipped Sinewave)						
Load R	9	10	11	kΩ		
C	9	10	11	pF		
Output Power	0.7			V <sub>pp</sub>	@ 10kΩ    10pF	
RF Output (HCMOS)						
Load	13.5	15	16.5	pF		
Signal Level (Vol)			0.3	VDC	with Vs=3.3V and 15pF Load	
Signal Level (Voh)	3.0			VDC	with Vs=3.3V and 15pF Load	
Rise and Fall time			5	ns		
Duty Cycle	40	50	60	%	@ (Voh-Vol)/2	
Frequency Tuning (EFC)						
Tuning Range	Fixed TCXO; No adjust				Option <sup>5</sup>	
Tuning Range for Stability: 807, 287, 157 / Stratum 3 Version	±5.0	±14.0	±20.0	ppm		
Tuning Range	±8.0	±14.0	±20.0	ppm		
Linearity	10%					
Tuning Slope	Positive					
Control Voltage Range	0.3	1.65	3.0	VDC	with Vs=3.3V	
Freq. control input impedance	10			kΩ		
Enable (instead of EFC)	True table Pin 1 High Open Low		RF_out Pin 3 Data Data High Tristate			
Additional Parameters						
Phase Noise <sup>3</sup>		-65 -95 -120 -145 -152		dBc/Hz dBc/Hz dBc/Hz dBc/Hz dBc/Hz	1 Hz 10 Hz 100 Hz 1 kHz 10 kHz	@ 10MHz
Weight				8.0 g		
Processing & Packing	Handling & Processing Note					
Reflow Profile	IPC / JEDEC J-STD-020 (latest version)					
Absolute Maximum Ratings						
Supply voltage (Vs)			6.0	V		
Control Voltage	0		Vs	V		
Operable Temperature Range	-40		+85	°C		
Storage Temperature Range	-55		+125	°C		

# Cross Reference List

Vectron Part	Frequency (MHz)	Temp Range (°C)	Temp Stability (ppm)	Holdover Stability (ppm)	Overall Stability (ppm)	Supply (V)	
C2260A1-0028	12.8	-20 to +70	±0.28	±0.37	±4.6	3.3	Semtech
C2260A1-0032	12.8	-40 to +85	±0.28	±0.37	±4.6	3.3	Semtech
C2260A1-0029	12.8	-40 to +85		±4.60	±20	3.3	Semtech
C2260A1-0021	20	-20 to +70	±0.28		±4.6	3.3	Zarlink
C2260A1-0009	20	-20 to +80	±0.28		±4.6	3.3	Zarlink
C2260A1-0015	20	-40 to +85		±4.6	±20	3.3	Zarlink

## Standard Shipping Method

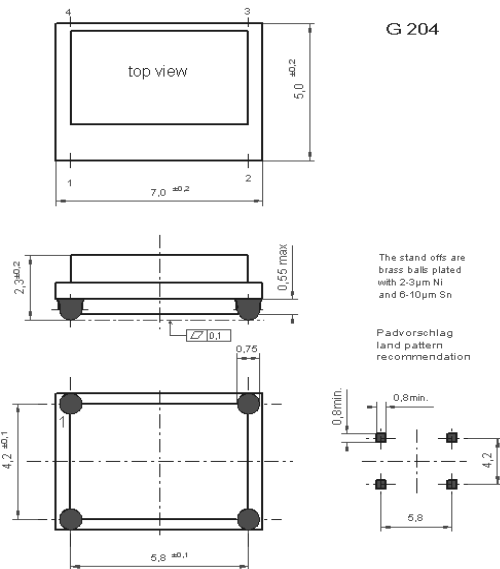


Enclosure Type	Tape Width W (mm)	Quantity per meter	Quantity per reel	Dimension P
G204/G211	12	150.	750.	8

## Outline Drawing / Enclosure

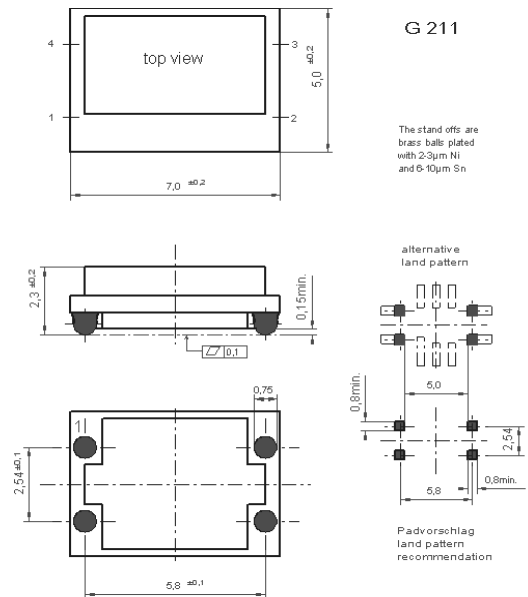
### Package Codes: 700

Type	Height "H"	Pin Length "L"
G204	2.5	NA



### Package Codes: 701

Type	Height "H"
G211	2.5



### Pin Connections

1	Voltage Control (Vc) / Enable / N.C
2	Ground (Case)
3	RF Output
4	Supply Voltage Input (Vs)

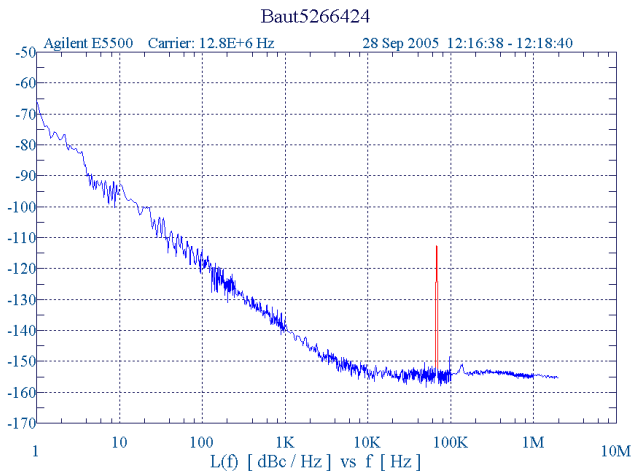
### Marking

TX-700
Frequency
● AYYWW

# Typical Performance

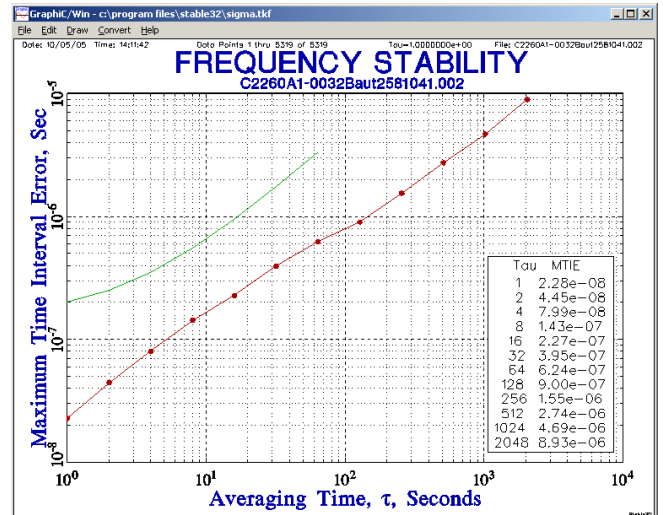
## Phase Noise

C2260 @ 12.8 MHz

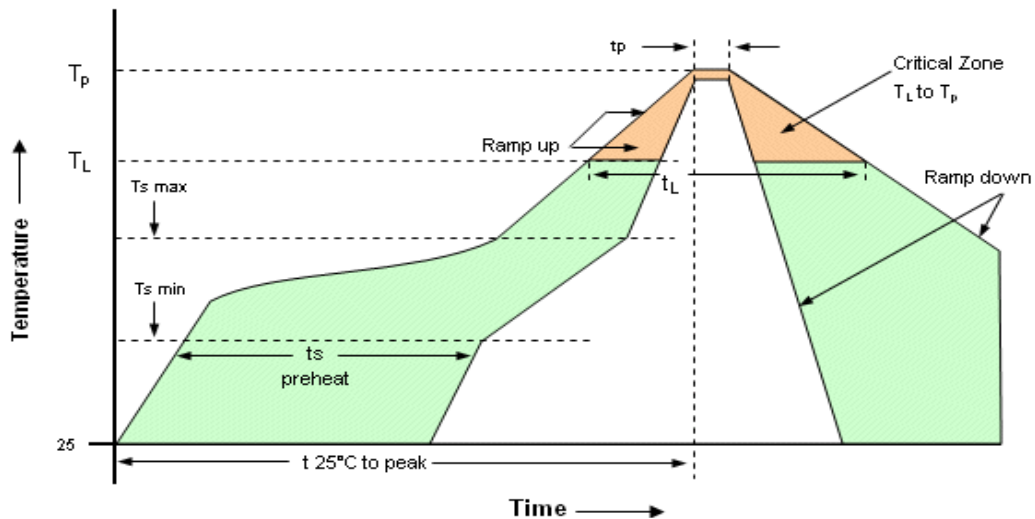


## MTIE according-1244-CORE:

C2260 @ 12.8 MHz



# Recommended Reflow Profile

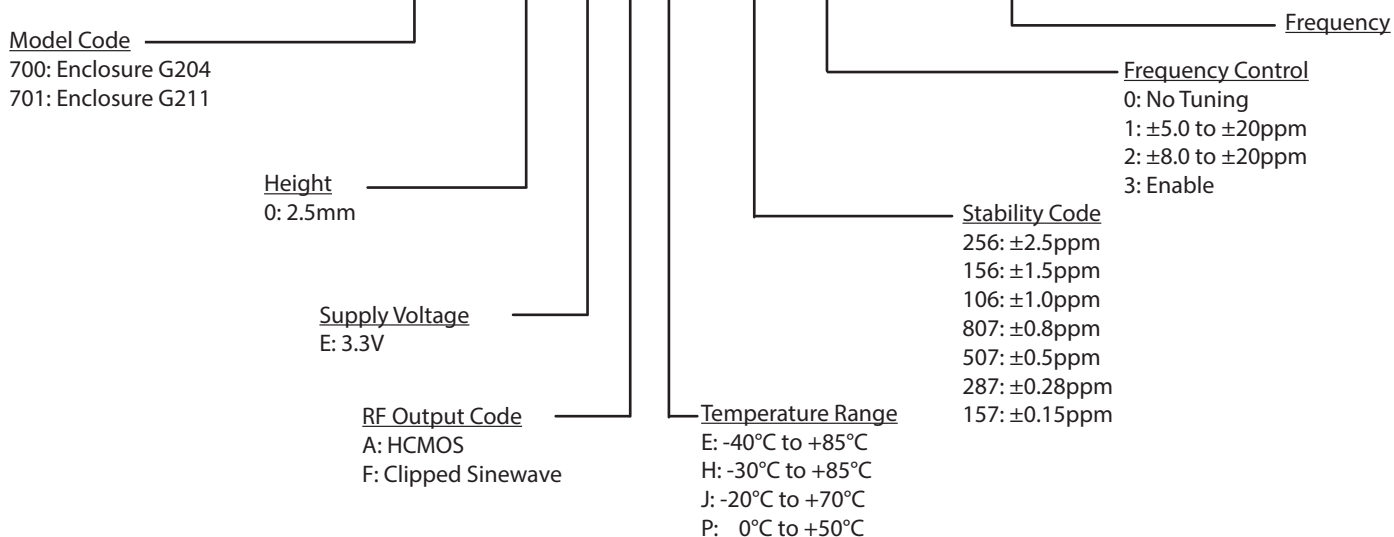


Profile Feature	Pb-Free Assembly/ Sn-Pb Assembly	Profile Feature	Pb-Free Assembly/ Sn-Pb Assembly
Average ramp-up rate ( $T_L$ to $T_p$ )	3°C/second max.	Time 25°C to Peak Temperature	8 minutes max.
Preheat -Temperature Min $T_{s \text{ min}}$ -Temperature Max $T_{s \text{ max}}$ -Time (min to max) $t_s$	150°C 200°C 60-180 seconds	Time maintained above -Temperature ( $T_L$ ) -Time ( $t_L$ )	217°C 60-150 seconds
$T_{s \text{ max}}$ to $T_L$ -Ramp-up Rate	3°C/second max		
Time maintained above -Temperature ( $T_L$ ) -Time ( $t_L$ )	217°C 60-150 seconds	Time within 5°C of actual Peak Temperature ( $t_p$ )	20-40 seconds
Peak Temperature ( $T_p$ )	max 260°C	Ramp-down Rate	6°C/ second max

**Note:** All temperatures refer to topside of the package, measured on the package body surface. SMD oscillators must be on the top side of the PCB during the reflow process.

## Ordering Information

**TX-70X 0 - E A J - 256 0 - 10M0000000**



### Notes:

1. Contact factory for improved stabilities or additional product options. Not all options and codes are available at all frequencies.
2. Unless other stated all values are valid after warm-up time and refer to typical conditions for supply voltage, frequency control voltage, load, temperature (25°C).
3. Phase noise degrades with increasing output frequency.
4. Subject to technical modification.
5. Contact factory for availability.

## For Additional Information, Please Contact

### USA:

Vectron International  
267 Lowell Road, Suite 102  
Hudson, NH 03051  
Tel: 1.888.328.7661  
Fax: 1.888.329.8328

### Europe:

Vectron International  
Landstrasse, D-74924  
Neckarbischofsheim, Germany  
Tel: +49 (0) 7268.801.100  
Fax: +49 (0) 7268.801.281

### Asia:

Vectron International  
68 Yin Cheng Road(C), 22nd Floor  
One LuJiaZui  
Pudong, Shanghai 200120, China  
Tel: +86 21 6194 6886  
Fax: +86 21 6194 6699

### Disclaimer

Vectron International reserves the right to make changes to the product(s) and or information contained herein without notice. No liability is assumed as a result of their use or application. No rights under any patent accompany the sale of any such product(s) or information.



Компания «ЭлектроПласт» предлагает заключение долгосрочных отношений при поставках импортных электронных компонентов на взаимовыгодных условиях!

Наши преимущества:

- Оперативные поставки широкого спектра электронных компонентов отечественного и импортного производства напрямую от производителей и с крупнейших мировых складов;
- Поставка более 17-ти миллионов наименований электронных компонентов;
- Поставка сложных, дефицитных, либо снятых с производства позиций;
- Оперативные сроки поставки под заказ (от 5 рабочих дней);
- Экспресс доставка в любую точку России;
- Техническая поддержка проекта, помощь в подборе аналогов, поставка прототипов;
- Система менеджмента качества сертифицирована по Международному стандарту ISO 9001;
- Лицензия ФСБ на осуществление работ с использованием сведений, составляющих государственную тайну;
- Поставка специализированных компонентов (Xilinx, Altera, Analog Devices, Intersil, Interpoint, Microsemi, Aeroflex, Peregrine, Syfer, Eurofarad, Texas Instrument, Miteq, Cobham, E2V, MA-COM, Hittite, Mini-Circuits, General Dynamics и др.);

Помимо этого, одним из направлений компании «ЭлектроПласт» является направление «Источники питания». Мы предлагаем Вам помощь Конструкторского отдела:

- Подбор оптимального решения, техническое обоснование при выборе компонента;
- Подбор аналогов;
- Консультации по применению компонента;
- Поставка образцов и прототипов;
- Техническая поддержка проекта;
- Защита от снятия компонента с производства.



#### Как с нами связаться

**Телефон:** 8 (812) 309 58 32 (многоканальный)

**Факс:** 8 (812) 320-02-42

**Электронная почта:** [org@eplast1.ru](mailto:org@eplast1.ru)

**Адрес:** 198099, г. Санкт-Петербург, ул. Калинина, дом 2, корпус 4, литера А.