

| REVISIONS | | | |
|-----------|---------------------------|---------|----------|
| LTR | DESCRIPTION | DATE | APPROVED |
| P1 | REVISED PER ECO-11-005139 | 29MAR11 | RK/HMR |
| P2 | REVISED PER ECO-12-011624 | 21JUN12 | K. YEE |



CODE 54 STRAIGHT, SHIELDED ADAPTER

NOTES:

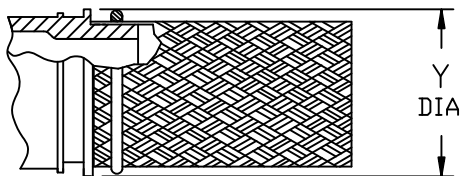
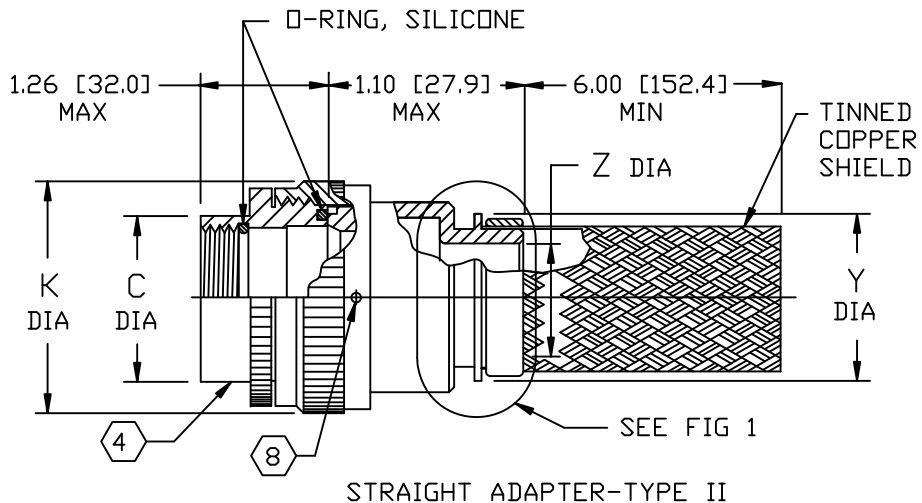
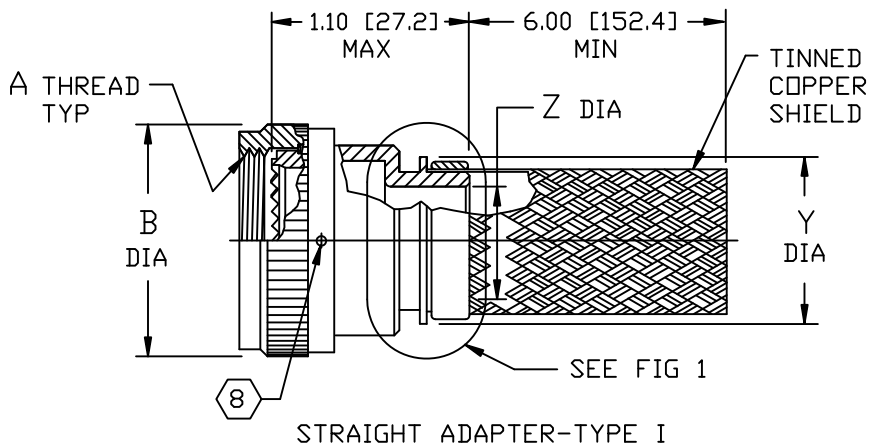
1. THIS PRODUCT IS DESIGNED TO TERMINATE A HEAT SHRINKABLE LIPPED BOOT TO A CONNECTOR.
2. FOR ADDITIONAL DIMENSIONS, ORDERING INFORMATION AND MODIFICATIONS, SEE CH00-0250-004.
3. ADAPTER TO BE PERMANENTLY MARKED WITH CODE IDENT. NO. AND PART NO. (E.G.: 06090-203M012-19A08).
- ④ FOR LARGER ENTRY SIZES, A 2 PIECE ADAPTER (TYPE II) IS SUPPLIED.
- ⑤ BRAID TERMINATION RING MAY BE SUPPLIED AS TINEL-LOCK SHAPE MEMORY RING AT MANUFACTURER'S OPTION.
- ⑥ ADAPTER MATES TO MIL-C-81703, SERIES III, MS3424, MS3446, MS3464, MS3467, MS3468, CLASS E & L.
- ⑦ ADAPTER MATES TO MIL-C-5015G, MS3400 SERIES, CLASS D, E, K, L, U & W: MS3400, MS3401, MS3404, MS3406, MS3450, MS3451, MS3454, MS3456, MS3470, MS3471, MS3472, MS3474, MS3475, MS3476. MIL-C-83723, SERIES II, CLASS A & L. MIL-C-83723, SERIES I & III, CLASS A, G, K, R & S: M83723/1, /2, /3, /4, /5, /6, /7, /8, /13, /14, /36, /37, /38, /40, /41, /42, /43, /48, /49, /65, /66, /67, /68, /69, /70, /71, /72, /73, /74, /75, /76, /77, /78, /82, /83, /84, /85, /86, /87, /91, /92, /95, /97, /98 (MS3155 CONTROLLED INTERFACE).
- ⑧ WHEN "L" MODIFICATION IS SPECIFIED, COUPLING NUT SHALL HAVE 3 LOCK WIRE HOLES, 120° APART.

If this document is printed it becomes uncontrolled. Check for the latest revision

©2012 Tyco Electronics Corporation. All rights reserved.

Raychem Adapters
CUSTOMER DRAWING

| | | | | | | |
|---|----------------------------|---|--|--------------------------|---------------------|-----------|
| UNLESS OTHERWISE SPECIFIED DIMENSIONS ARE IN INCHES. METRIC DIMENSIONS ARE IN BRACKETS. | DRAWN R. RAMIREZ | DATE 03-18-93 |  | TE Connectivity | | |
| | CHECKED | DATE | | | | |
| DIMENSIONING AND TOLERANCING PER ASME Y14.5M (ISO STANDARDS) | APPROVED W. C. GAY | DATE 05-19-93 | TITLE ADAPTER, SHIELD, STRAIGHT CODE 54 | | | |
| | APPROVED | DATE | | | | |
| DECIMALS .XXX ± — [mm] .XX ± — [mm] .X ± — [mm] | CAD NAME 203M0XX_P2.dwg | | SIZE A | CODE IDENT. NO. 06090 | DWG. NO. 203M0XX | REV P2 |
| ANGLES .X ± — | THIRD ANGLE PROJECTION |  | DO NOT SCALE THIS DWG | | SHEET 1 OF 3 | |



TINEL-LOCK TERMINATION

FIG 1 5

If this document is printed it becomes uncontrolled. Check for the latest revision

Raychem Adapters
 CUSTOMER DRAWING

| SIZE | CODE IDENT. NO. | DWG. NO. | REV |
|-----------------------|-----------------|---------------------------|--------------|
| A | 06090 | 203M0XX | P2 |
| DO NOT SCALE THIS DWG | | CAD NAME 203M0XX_P2-2.dwg | SHEET 2 OF 3 |

| TABLE I | | | | | | |
|---------------------|---|---|--|-------------------------|------------------|------------------|
| BASE PART NO. | SHELL SIZE | | MAX ENTRY SIZE TYPE I 4 | A THREAD CLASS 2B | B DIA MAX | C DIA MAX |
| | 6 | 7 | | | | |
| 203M003 | 3 | | 04 | .562-24 UNEF | .669 [16.99] | .695 [17.65] |
| 203M008 | | 8 & 8S | 04 | .500-20 UNF | .617 [15.67] | .630 [16.00] |
| 203M010 | | 10, 10S & 10SL | 06 | .625-24 UNEF | .734 [18.64] | .757 [19.23] |
| 203M012 | 7 | 12 & 12S | 08 | .750-20 UNEF | .858 [21.79] | .882 [22.40] |
| 203M014 | 12 | 14 & 14S | 09 | .875-20 UNEF | .984 [24.99] | 1.007 [25.58] |
| 203M016 | 19 | 16 & 16S | 11 | 1.000-20 UNEF | 1.112 [28.24] | 1.132 [28.75] |
| 203M018 | 27 | 18 | 12 | 1.062-18 UNEF | 1.218 [30.94] | 1.218 [30.94] |
| 203M020 | 37 | 20 | 14 | 1.188-18 UNEF | 1.345 [34.16] | 1.345 [34.16] |
| 203M022 | | 22 | 16 | 1.312-18 UNEF | 1.468 [37.29] | 1.468 [37.29] |
| 203M024 | | 24 | 18 | 1.438-18 UNEF | 1.593 [40.46] | 1.593 [40.46] |
| 203M028 | | 28 | 22 | 1.750-18 UNS | 1.969 [50.01] | 1.969 [50.01] |
| 203M032 | | 32 | 24 | 2.000-18 UNS | 2.219 [56.36] | 2.219 [56.36] |
| 203M036 | | 36 | 28 | 2.250-16 UN | 2.469 [62.71] | 2.469 [62.71] |
| 203M040 | | 40 | 28 | 2.500-16 UN | 2.719 [69.06] | 2.719 [69.06] |
| 203M044 | | 44 | 28 | 2.750-16 UN | 2.969 [75.41] | 2.969 [75.41] |
| 203M048 | | 48 | 28 | 3.000-16 UN | 3.219 [81.76] | 3.219 [81.76] |
| 203M061 | 61 | | 18 | 1.500-18 UNEF | 1.653 [41.99] | 1.653 [41.99] |

| TABLE II | | | |
|---------------|----------------|-----------------------|------------------|
| ENTRY SIZE | K MAX | Z ±.020 [±0.51] | Y DIA MIN |
| 03 | NA | .187 [4.75] | .393 [9.98] |
| 04 | NA | .250 [6.35] | .456 [11.58] |
| 05 | .80 [20.3] | .312 [7.92] | .515 [13.08] |
| 06 | .80 [20.3] | .375 [9.53] | .581 [14.76] |
| 07 | .92 [23.4] | .438 [11.13] | .643 [16.33] |
| 08 | .92 [23.4] | .500 [12.70] | .705 [17.91] |
| 09 | 1.18 [30.0] | .562 [14.27] | .705 [17.91] |
| 10 | 1.18 [30.0] | .625 [15.88] | .831 [21.11] |
| 11 | 1.18 [30.0] | .688 [17.48] | .893 [22.68] |
| 12 | 1.35 [34.3] | .750 [19.05] | .953 [24.21] |
| 13 | 1.41 [35.8] | .812 [20.62] | .953 [24.21] |
| 14 | 1.41 [35.8] | .875 [22.23] | 1.081 [27.46] |
| 15 | 1.60 [40.6] | .938 [23.83] | 1.143 [29.03] |
| 16 | 1.60 [40.6] | 1.000 [25.40] | 1.205 [30.61] |
| 18 | 1.66 [42.2] | 1.125 [28.58] | 1.381 [35.08] |
| 20 | 2.04 [51.8] | 1.250 [31.75] | 1.506 [38.25] |
| 22 | 2.23 [56.6] | 1.375 [34.93] | 1.631 [41.43] |
| 24 | 2.23 [56.6] | 1.500 [38.10] | 1.756 [44.60] |
| 28 | 2.48 [63.0] | 1.750 [44.45] | 2.004 [50.90] |

If this document is printed it becomes uncontrolled. Check for the latest revision

Raychem Adapters
CUSTOMER DRAWING

| | | | |
|-----------------------|-----------------|---------------------------|--------------|
| SIZE | CODE IDENT. NO. | DWG. NO. | REV |
| A | 06090 | 203M0XX | P2 |
| DO NOT SCALE THIS DWG | | CAD NAME 203M0XX_P2-3.dwg | SHEET 3 OF 3 |



Компания «ЭлектроПласт» предлагает заключение долгосрочных отношений при поставках импортных электронных компонентов на взаимовыгодных условиях!

Наши преимущества:

- Оперативные поставки широкого спектра электронных компонентов отечественного и импортного производства напрямую от производителей и с крупнейших мировых складов;
- Поставка более 17-ти миллионов наименований электронных компонентов;
- Поставка сложных, дефицитных, либо снятых с производства позиций;
- Оперативные сроки поставки под заказ (от 5 рабочих дней);
- Экспресс доставка в любую точку России;
- Техническая поддержка проекта, помощь в подборе аналогов, поставка прототипов;
- Система менеджмента качества сертифицирована по Международному стандарту ISO 9001;
- Лицензия ФСБ на осуществление работ с использованием сведений, составляющих государственную тайну;
- Поставка специализированных компонентов (Xilinx, Altera, Analog Devices, Intersil, Interpoint, Microsemi, Aeroflex, Peregrine, Syfer, Eurofarad, Texas Instrument, Miteq, Cobham, E2V, MA-COM, Hittite, Mini-Circuits, General Dynamics и др.);

Помимо этого, одним из направлений компании «ЭлектроПласт» является направление «Источники питания». Мы предлагаем Вам помощь Конструкторского отдела:

- Подбор оптимального решения, техническое обоснование при выборе компонента;
- Подбор аналогов;
- Консультации по применению компонента;
- Поставка образцов и прототипов;
- Техническая поддержка проекта;
- Защита от снятия компонента с производства.



Как с нами связаться

Телефон: 8 (812) 309 58 32 (многоканальный)

Факс: 8 (812) 320-02-42

Электронная почта: org@eplast1.ru

Адрес: 198099, г. Санкт-Петербург, ул. Калинина, дом 2, корпус 4, литера А.