

GAAS MMIC SP8T NON-REFLECTIVE SWITCH, DC - 8 GHz

Typical Applications

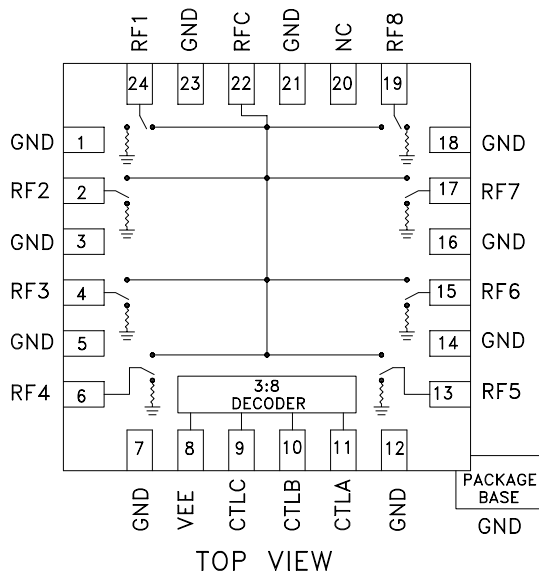
This switch is suitable for usage in DC - 8.0 GHz 50-Ohm or 75-Ohm systems:

- Broadband
- Fiber Optics
- Switched Filter Banks
- Wireless below 8 GHz

Features

- Broadband Performance: DC - 8.0 GHz
- High Isolation: >30 dB@ 6 GHz
- Low Insertion Loss: 2.4 dB@ 6 GHz
- Integrated 3:8 TTL Decoder
- 24 Lead 4x4mm QFN Package: 9 mm²

Functional Diagram



General Description

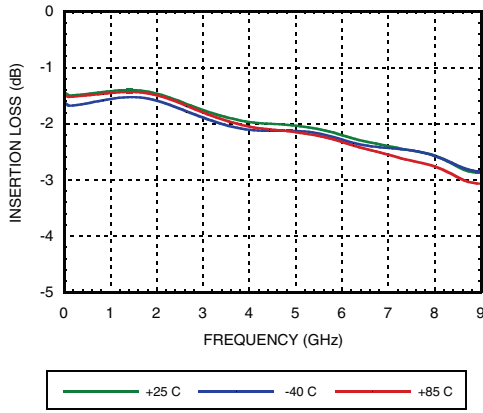
The HMC322ALP4E is a broadband non-reflective GaAs MESFET SP8T switch in a low cost leadless surface mount package. Covering DC to 8 GHz, this switch offers high isolation and low insertion loss. This switch also includes an on board binary decoder circuit which reduces the required logic control lines to three. The switch operates using a negative control voltage of 0/-5 volts, and requires a fixed bias of -5V. This switch is suitable for usage in 50-Ohm or 75-Ohm systems.

Electrical Specifications, $T_A = +25^\circ \text{C}$, With 0/-5V Control, 50 Ohm System

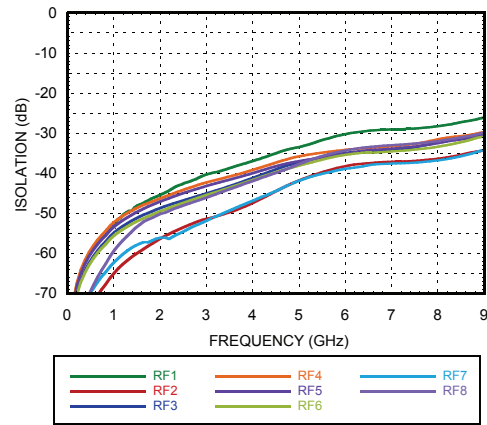
| Parameter | Frequency | Min. | Typ. | Max. | Units |
|--|---------------|----------------------------------|------|------|-------|
| Insertion Loss | DC - 2.0 GHz | | 1.8 | 2.5 | dB |
| | DC - 4.0 GHz | | 2.0 | 2.7 | dB |
| | DC - 8.0 GHz | | 2.5 | 2.9 | dB |
| Isolation | DC - 2.0 GHz | 35 | 50 | | dB |
| | DC - 4.0 GHz | 30 | 45 | | dB |
| | DC - 6.0 GHz | 25 | 40 | | dB |
| | DC - 8.0 GHz | 20 | 35 | | dB |
| Return Loss | "On State" | DC - 2.0 GHz | 9 | 17 | dB |
| | | DC - 8.0 GHz | 6 | 15 | dB |
| Return Loss | "Off State" | DC - 8.0 GHz | 7 | 20 | dB |
| Input Power for 1 dB Compression | 0.5 - 8.0 GHz | 19 | 26 | | dBm |
| Input Third Order Intercept (Two-Tone Input Power = +7 dBm Each Tone) | 0.5 - 8.0 GHz | 36 | 40 | | dBm |
| Switching Characteristics tRISE, tFALL (10/90% RF) | DC - 8.0 GHz | | 25 | | ns |
| | | tON, tOFF (50% CTL to 10/90% RF) | | 150 | |

GAAS MMIC SP8T NON-REFLECTIVE SWITCH, DC - 8 GHz

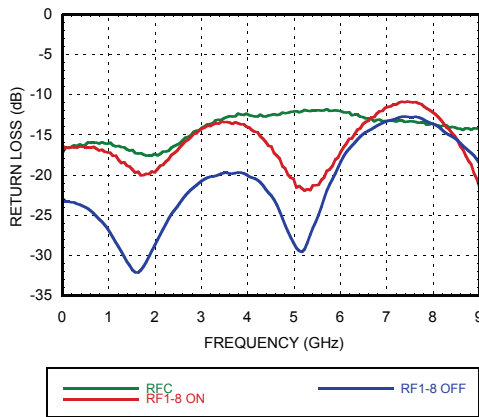
Insertion Loss vs. Temperature



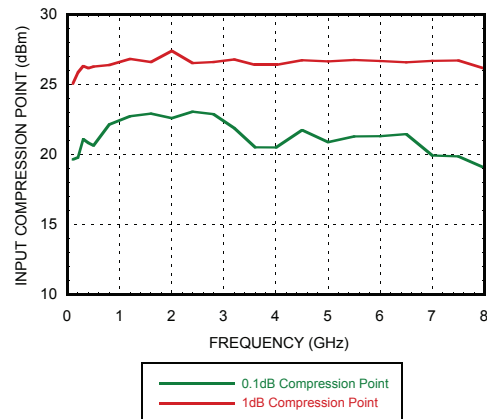
Isolation



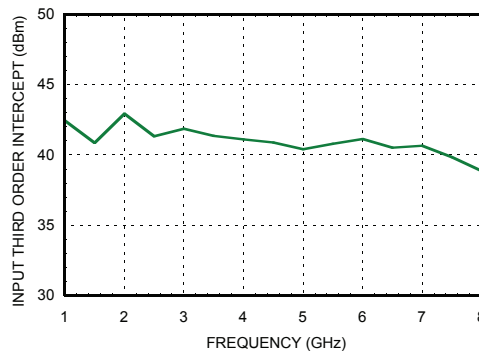
Return Loss



0.1 and 1 dB Input Compression Point



Input Third Order Intercept Point



GAAS MMIC SP8T NON-REFLECTIVE SWITCH, DC - 8 GHz

Bias Voltage & Current

| Vee Range = -5.0 Vdc \pm 10% | | |
|--------------------------------|-----------------------------|-----------------------------|
| Vee (Vdc) | I _{ee} (Typ.) (mA) | I _{ee} (Max.) (mA) |
| -5.0 | 5.0 | 9.0 |

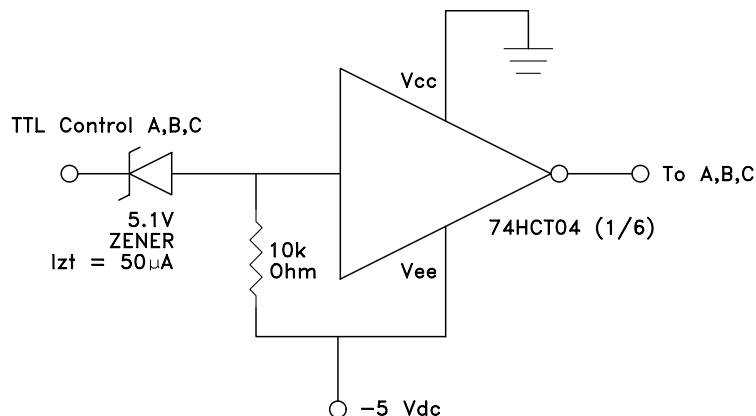
Control Voltages

| State | Bias Condition |
|-------|------------------------------------|
| Low | -3V to 0 Vdc @ 25 μ A Typical |
| High | -5 to -4.2 Vdc @ 5 μ A Typical |

Truth Table

| Control Input | | | Signal Path State |
|---------------|------|------|-------------------|
| A | B | C | RFCOM to: |
| High | High | High | RF1 |
| Low | High | High | RF2 |
| High | Low | High | RF3 |
| Low | Low | High | RF4 |
| High | High | Low | RF5 |
| Low | High | Low | RF6 |
| High | Low | Low | RF7 |
| Low | Low | Low | RF8 |

TTL Interface Circuit



Note:

Control inputs A, B, and C can be driven directly with TTL logic with -5 Volts applied to the HCT logic gates Vee pin and to Vee (pin 8) of the RF Switch.

GAAS MMIC SP8T NON-REFLECTIVE SWITCH, DC - 8 GHz

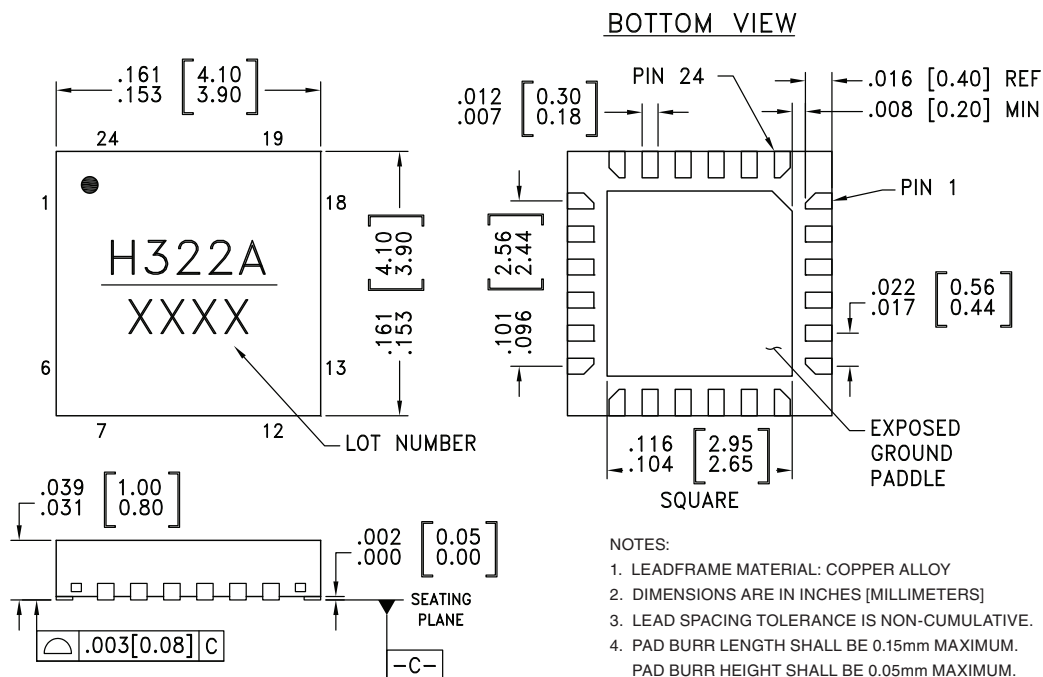
Absolute Maximum Ratings

| | |
|---|-----------------------|
| Bias Voltage Range (Vee) | -7.0 Vdc |
| Control Voltage Range (A, B, & C) | Vee -0.5V to +1.0 Vdc |
| Storage Temperature | -65 to +150 °C |
| Operating Temperature | -40 to +85 °C |
| Maximum Input Power | |
| Insertion Loss Path | 26.5 dBm |
| Terminated Path | 24 dBm |
| Channel Temperature | 150 °C |
| Continuous Pdiss (T = 85 °C) (derate 5.34 mW / °C) | 0.348 W |
| Thermal Resistance | |
| Insertion Loss Path | 184 °C / W |
| Terminated Path | 243 °C / W |
| ESD Sensitivity (HBM) | Class 1A |



ELECTROSTATIC SENSITIVE DEVICE
OBSERVE HANDLING PRECAUTIONS

Outline Drawing



NOTES:

- LEADFRAME MATERIAL: COPPER ALLOY
- DIMENSIONS ARE IN INCHES [MILLIMETERS]
- LEAD SPACING TOLERANCE IS NON-CUMULATIVE.
- PAD BURR LENGTH SHALL BE 0.15mm MAXIMUM.
PAD BURR HEIGHT SHALL BE 0.05mm MAXIMUM.
- PACKAGE WARP SHALL NOT EXCEED 0.05mm.
- ALL GROUND LEADS AND GROUND PADDLE MUST BE SOLDERED TO PCB RF GROUND.
- REFER TO HITTITE APPLICATION NOTE FOR SUGGESTED LAND PATTERN.

Package Information

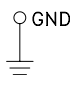
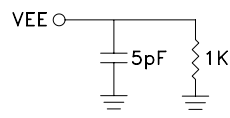
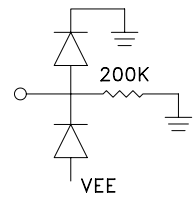
| Part Number | Package Body Material | Lead Finish | MSL Rating | Package Marking ^[2] |
|-------------|--|---------------|---------------------|--------------------------------|
| HMC322ALP4E | RoHS-compliant Low Stress Injection Molded Plastic | 100% matte Sn | MSL3 ^[1] | H322A XXXX |

[1] Max peak reflow temperature of 260 °C

[2] 4-Digit lot number XXXX

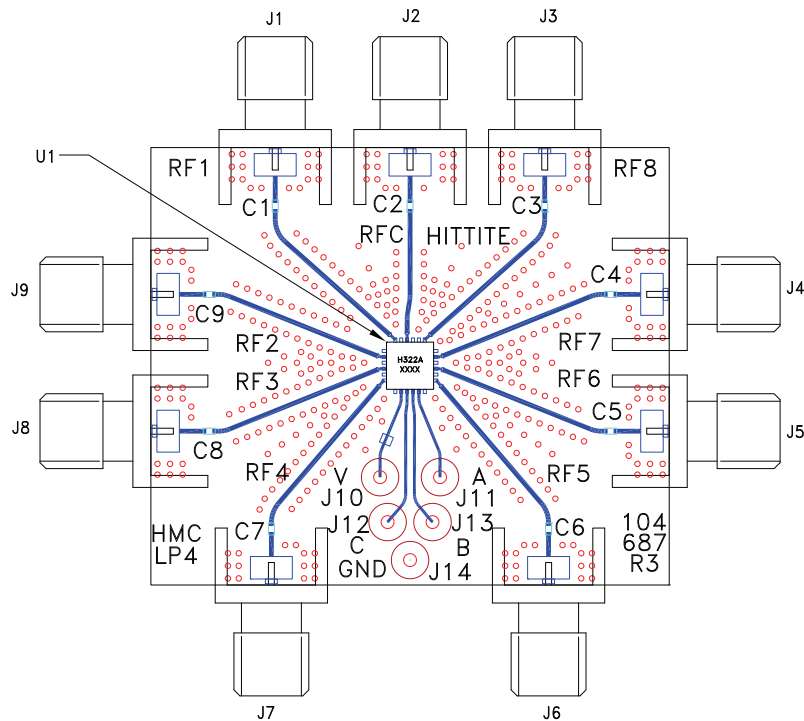
GAAS MMIC SP8T NON-REFLECTIVE SWITCH, DC - 8 GHz

Pin Descriptions

| Pin Number | Function | Description | Interface Schematic |
|------------------------------------|-----------------|---|--|
| 1, 3, 5, 7, 12, 14, 16, 18, 21, 23 | GND | Package bottom has exposed metal paddle that must also be connected to PCB RF ground. |  |
| 2, 4, 6, 13, 15, 17, 19, 22, 24 | RF1 - RF8 & RFC | This pin is DC coupled and matched to 50 Ohm. Blocking capacitors are required if RF line potential is not equal to 0V. | |
| 8 | VEE | Supply Voltage = $-5V \pm 10\%$ |  |
| 9 | CTL C | See truth table and control voltage table. |  |
| 10 | CTL B | See truth table and control voltage table. | |
| 11 | CTL A | See truth table and control voltage table. | |
| 20 | N/C | This pin should be connected to PCB RF ground to maximize isolation. | |

GAAS MMIC SP8T NON-REFLECTIVE SWITCH, DC - 8 GHz

Evaluation PCB



List of Materials for Evaluation PCB EV1HMC322ALP4 [1]

| Item | Description |
|-----------|-----------------------------------|
| J1 - J9 | PCB Mount SMA RF Connector |
| J10 - J14 | DC Pin |
| C1 - C9 | 100 pF Capacitor, 0402 Pkg. |
| U1 | HMC322ALP4E SP8T Switch |
| PCB [2] | 104687 Evaluation PCB 1.73"x1.46" |

[1] Reference this number when ordering complete evaluation PCB

[2] Circuit Board Material: Rogers 4350

The circuit board used in the application should be generated with proper RF circuit design techniques. Signal lines at the RF port should have 50 ohm impedance and the package ground leads and backside ground slug should be connected directly to the ground plane similar to that shown above. The evaluation circuit board shown above is available from Analog Devices Inc. upon request.



Компания «ЭлектроПласт» предлагает заключение долгосрочных отношений при поставках импортных электронных компонентов на взаимовыгодных условиях!

Наши преимущества:

- Оперативные поставки широкого спектра электронных компонентов отечественного и импортного производства напрямую от производителей и с крупнейших мировых складов;
- Поставка более 17-ти миллионов наименований электронных компонентов;
- Поставка сложных, дефицитных, либо снятых с производства позиций;
- Оперативные сроки поставки под заказ (от 5 рабочих дней);
- Экспресс доставка в любую точку России;
- Техническая поддержка проекта, помощь в подборе аналогов, поставка прототипов;
- Система менеджмента качества сертифицирована по Международному стандарту ISO 9001;
- Лицензия ФСБ на осуществление работ с использованием сведений, составляющих государственную тайну;
- Поставка специализированных компонентов (Xilinx, Altera, Analog Devices, Intersil, Interpoint, Microsemi, Aeroflex, Peregrine, Syfer, Eurofarad, Texas Instrument, Miteq, Cobham, E2V, MA-COM, Hittite, Mini-Circuits, General Dynamics и др.);

Помимо этого, одним из направлений компании «ЭлектроПласт» является направление «Источники питания». Мы предлагаем Вам помощь Конструкторского отдела:

- Подбор оптимального решения, техническое обоснование при выборе компонента;
- Подбор аналогов;
- Консультации по применению компонента;
- Поставка образцов и прототипов;
- Техническая поддержка проекта;
- Защита от снятия компонента с производства.



Как с нами связаться

Телефон: 8 (812) 309 58 32 (многоканальный)

Факс: 8 (812) 320-02-42

Электронная почта: org@eplast1.ru

Адрес: 198099, г. Санкт-Петербург, ул. Калинина, дом 2, корпус 4, литера А.