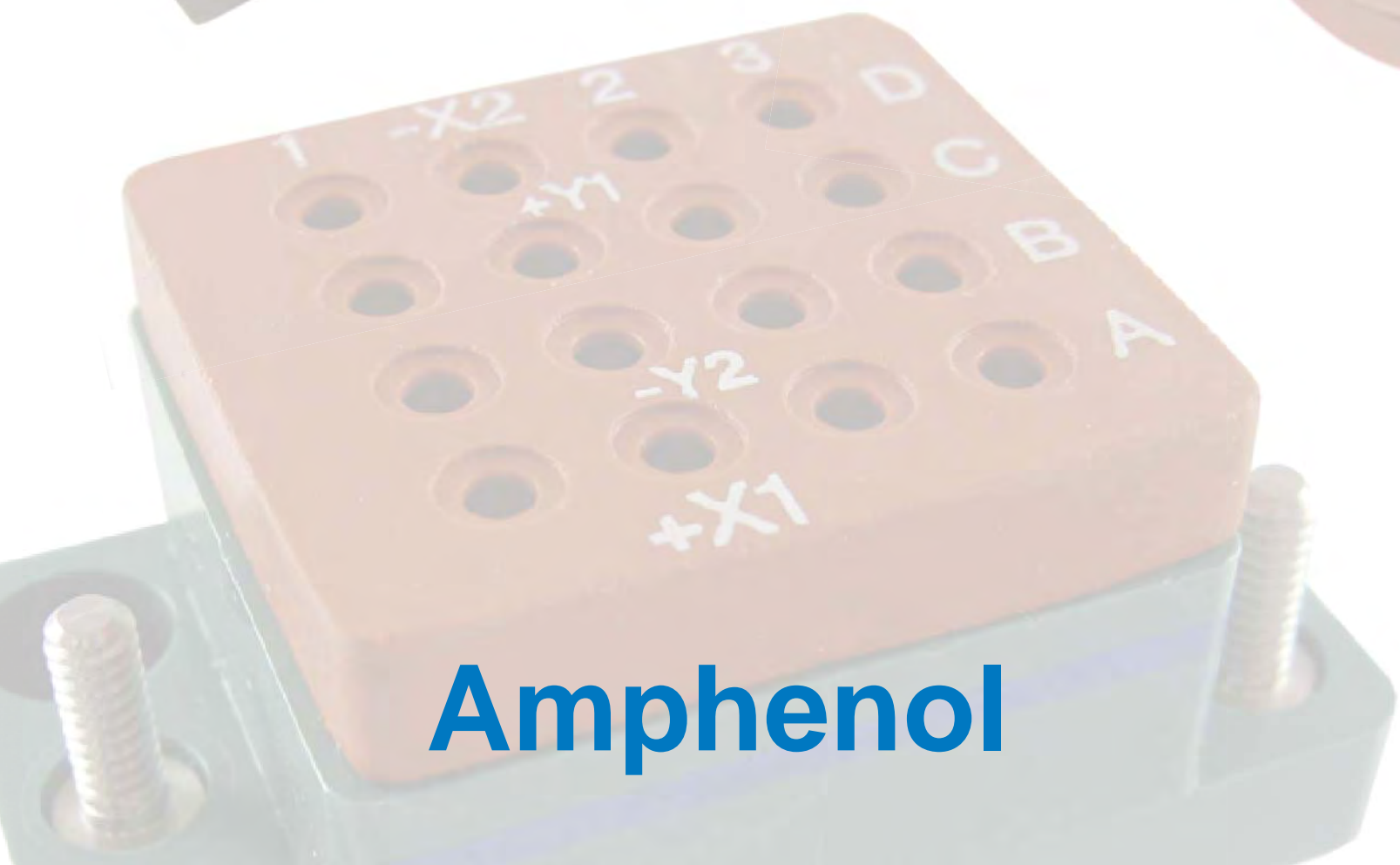
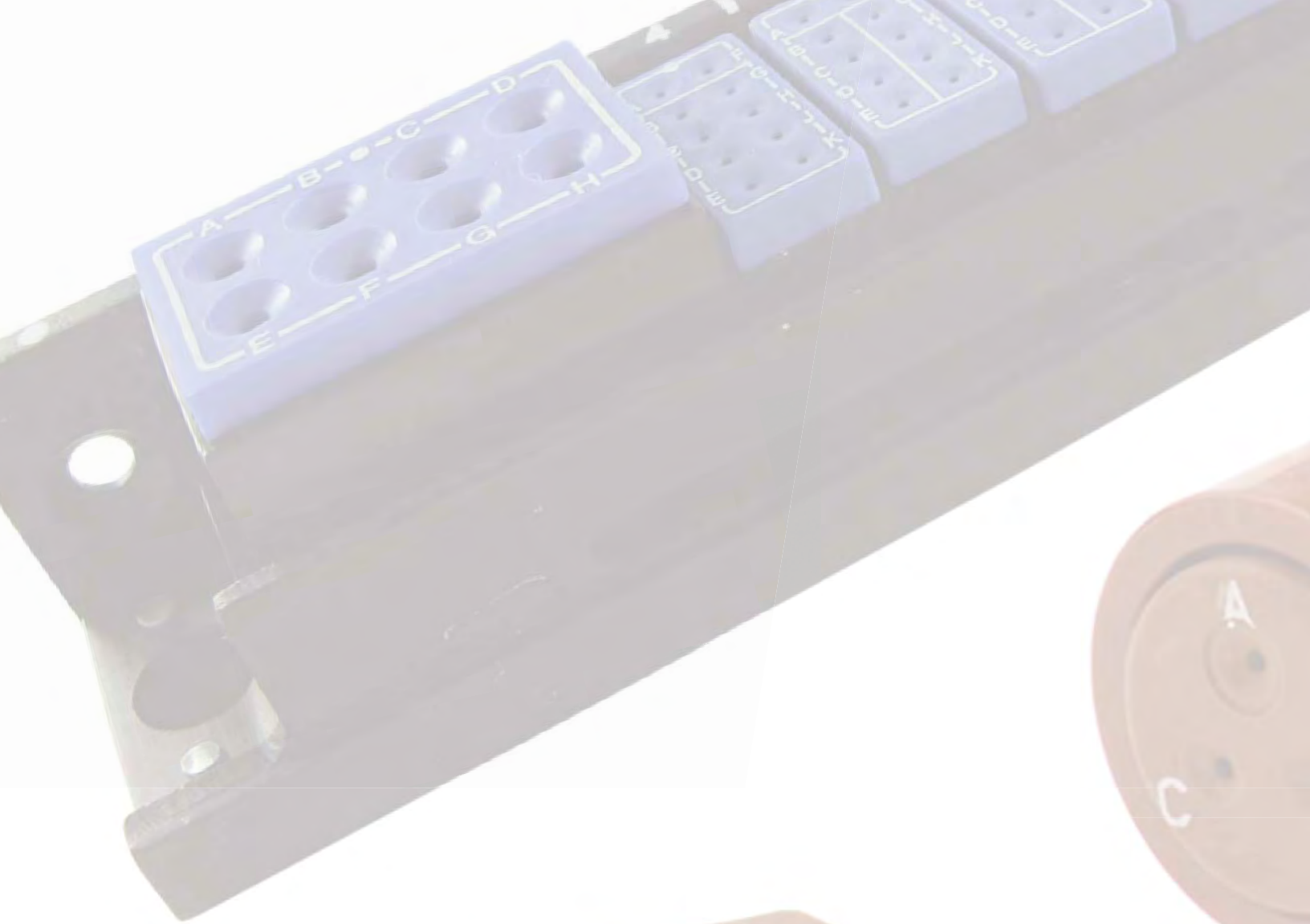


High Quality Interconnect Products For Military and Aerospace Applications

Amphenol

Amphenol Pcd





Amphenol

Amphenol Pcd

Company Introduction

Amphenol Pcd

Amphenol Pcd is a Division of Amphenol Corporation, one of the largest manufacturers of interconnect products in the world. Amphenol is the world's leading supplier of these products for military and aerospace applications. Amphenol designs, manufactures and markets electrical, electronic and fiber optic connectors, connector systems, and coaxial and flat-ribbon cable; and maintains extensive manufacturing and engineering facilities in North and South America, Europe, Asia and Australia. Connector products are supplied to thousands of OEMs in approximately 60 countries. Product support is assured through Amphenol's world-wide sales and engineering force, plus a global network of electronic distributors.

Amphenol Pcd is dedicated to providing users in the Military-Aerospace and Industrial markets with a wide variety of high reliability, high performance connectors and rugged system packages. The primary end markets for our products are commercial and military aerospace, military ground vehicles, military electronics and communications, harsh environment industrial applications and shipboard applications. Amphenol Pcd product families are the most extensive available.

Products

- **Junction Modules**
- **Relay Sockets**
- **Rectangular and Circular Rack & Panel**
- **System Packages**
- **Field Bus Interconnects**
- **Custom Solutions**
- **Specialized Cable Assemblies**
- **Terminal Blocks**
- **Custom System Attachments**
- **Modular Rectangular Connectors**



Amphenol Pcd Philosophy

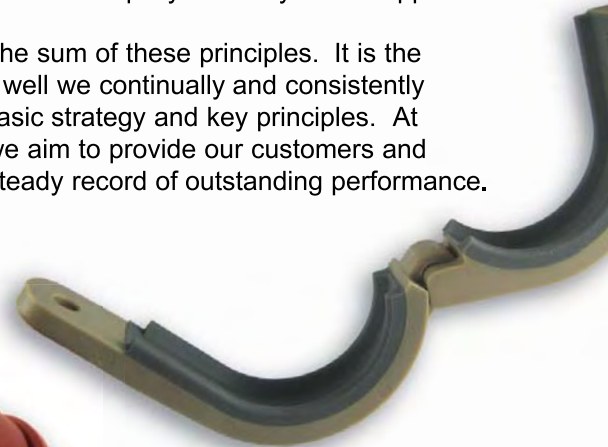
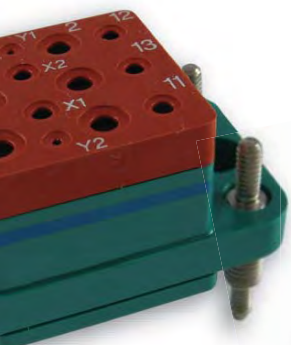
As a basic business philosophy, Amphenol Pcd is dedicated to concentrating on those advanced and challenging market segments that demand an extraordinary level of supplier support and reaction. Our approach to implement this strategy is based on the following key principles:

FOCUS: Concentrate all resources on serving a limited number of tightly defined markets, and understanding the needs of those markets.

INNOVATION: Provide these markets new, creative solutions in both products and services.

RESPONSIVENESS: Identify and respond to the market and product needs more rapidly than any other supplier.

Performance is the sum of these principles. It is the measure of how well we continually and consistently implement our basic strategy and key principles. At Amphenol Pcd we aim to provide our customers and markets with a steady record of outstanding performance.



Amphenol Pcd

Amphenol Pcd

Markets and Applications

Markets Served and Product Applications

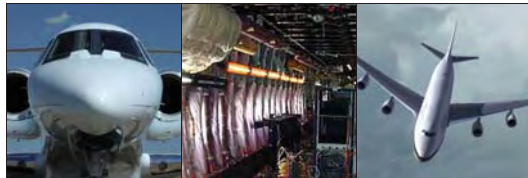
The primary markets served by Amphenol Pcd are Commercial Aerospace, Military Aerospace, Military Ground Vehicles and Military Communication - C4ISR, Rail Mass Transit, and Industrial. These markets have different interconnect and system configuration demands, but are closely linked by an absolute requirement for the very highest levels of reliability and performance, under challenging conditions. Connectors must meet rigid military / aerospace and customer specifications including electrical, mechanical, environmental, chemical resistance, and shock and vibration performance, as well as configuration. Please contact Amphenol Pcd for requirements ranging from standard products to complete customized systems.



COMMERCIAL AEROSPACE - AVIONICS

Market and Applications: Avionics controls and instrumentation, in-flight entertainment systems, aircraft power distribution, lighting, control systems, galleys and more. All Designed to reduce weight and simplify installation / maintenance procedures.

Amphenol Pcd Products: Junction Modules, Relay Sockets, In-Line Junctions, High Performance Clamps, Field Series Connectors, Rectangular Connectors, Modular Rectangular Connectors, In-Line Splices, Electronic Modules, Push Pull Mini Connectors and Contacts.



COMMERCIAL AEROSPACE - AIRFRAME

Market and Applications: Airframe power distribution, wire bundle and cable management, hydraulic tubing applications, lighting applications, fuel tank applications. All Designed to reduce weight and simplify installation / maintenance procedures, (LEAN Manufacturing).

Amphenol Pcd Products: Junction Modules, Relay Sockets, In-Line Junctions, Pipe and Cable Supports, High Performance Clamps, Field Series Connectors, Rectangular Connectors, Modular Rectangular Connectors, In-Line Splices, Electronic Modules, and Contacts.



MILITARY AEROSPACE

Market and Applications: Avionics controls and instrumentation, aircraft power distribution, lighting, control systems, galleys, pipe and cable management, weapon systems, and more. All Designed to reduce weight and simplify installation / maintenance procedures.

Amphenol Pcd Products: Junction Modules, Relay Sockets, In-Line Junctions, Pipe and Cable Supports, High Performance Clamps, Field Series Connectors, SIM Connectors, In-Line Splices, Electronic Modules, Backplane Connectors, and Contacts.



MILITARY GROUND VEHICLES

Market and Applications: Fighting vehicles, tanks, shelters, armored personnel carriers, artillery. Off-road, heavy earth-moving equipment. Extremely harsh environmental conditions. Heavy shock and vibration, and dust exposure.

Amphenol Pcd Products: Push Pull Rectangular Power Connectors, Flex Power Bar Mounting Plates, MIL-DTL-38999 Series III Connectors, Power Bus Bars, Field Series Connectors, SIM Connectors, High Performance Clamps, Power Distribution Systems, Sealed Junctions.



MILITARY COMMUNICATION - C4ISR

Market and Applications: Combat vests, worn by individual soldiers, containing electronic communications provisions within active webbing embedded in vest and connected to the military communication system.

Amphenol Pcd Products: Battlefield Interconnect Assemblies, Mini-Push Pull Connectors, Field Series Connectors, Sealed Miniature Connectors, and SLIM Connectors.



INDUSTRIAL & RAIL MASS TRANSIT

Market and Applications: Factory Automation, Manufacturing Communications, Earth Moving Equipment, Offshore Oil Platforms, High speed railway, Freight and passenger railway, Subway and Metro, Railway controls and instrumentation, and Railway communications system.

Amphenol Pcd Products: Printed Circuit Board Terminal Blocks, Din Rail Mount Terminal Blocks, Interface Modules, Custom I/O Connectors, Field Series Connectors Junction Modules, Relay Sockets, In-Line Junctions, Pipe and Cable Supports, Electronic Modules, Terminal Blocks.

Amphenol Pcd

Manufacturing Technology and Capabilities

Manufacturing Technology and Capabilities

Amphenol Pcd is a leading manufacturer in interconnect products and accessories and has the manufacturing capability along with technical expertise to provide customers with the most innovative and reliable products on the market. Amphenol Pcd has four facilities around the world with engineering and production capability. These facilities are Amphenol Pcd, Amphenol Pcd China, Amphenol Air LB NA, and Amphenol Optimize. These facilities allow Amphenol Pcd to have round the clock engineering support, high volume manufacturing capabilities, and low cost resources. Amphenol Pcd also represents the European Amphenol divisions of Amphenol Socapex, Amphenol Air LB, Amphenol Air LB Germany, and Amphenol Limited in the North and South American market. Amphenol Pcd facilities are AS9100 compliant.

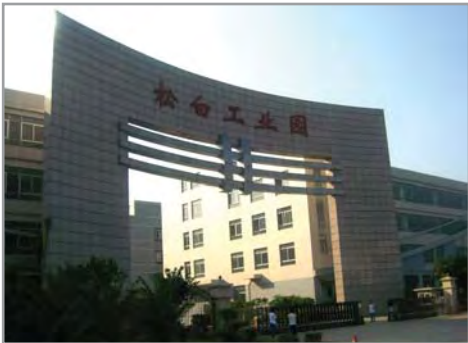


Amphenol Pcd - Beverly, Massachusetts, USA

Amphenol Pcd, Beverly is Amphenol Pcd's corporate headquarters and customer service center. The facility has a large production floor and have expertise in manufacturing using Amphenol proprietary overmolding technology. Engineering is also headed from the Beverly facility. All customer inquiries regarding Amphenol Pcd Mil/Aero products should be forwarded to this facility.

Amphenol Pcd

72 Cherry Hill Drive
Beverly, MA 01915
Phone: +1 (978) 624-3400
www.amphenolpcd.com



Amphenol Pcd China - Shenzhen, China

Amphenol Pcd China is Amphenol Pcd's sister division in China. The facility also has a large production floor and has expertise in product Assembly. The facility is also home to a large number of Amphenol Pcd engineers.

Amphenol Pcd Shenzhen

3/F Building A4, Section B Song Bai Industrial Park
East Ming Huan Road Gong Ming Town,
Bao An District ShenZhen, China 518132
Phone: +86 755-81738281
www.amphenolpcd.com.cn



Amphenol Air LB NA - Montreal, Quebec, Canada

Amphenol Air LB NA is a leading producer of aerospace system attachments and pipe and cable supports. The facility also has a large production floor and has expertise in manufacturing using injection molding. Amphenol Air LB NA has their own engineering and customer service department. All customer inquiries regarding Air LB NA products should be forwarded to this facility.

Amphenol Air LB NA

3335, 1 ere Rue parc Gerard Leclerc
St. Hubert QC, J3Y 8Y6, Canada
Phone: +1 (450) 445-6007
www.amphenol-airlb.com / www.amphenol-airlb.fr



Amphenol Optimize - Nogales, Mexico

Amphenol Optimize is the manufacturing and customer service center for Industrial products. The facility also has a large production floor and manufactures most of Amphenol Pcd's Industrial product line. Industrial engineering is located in the Beverly facility. All customer inquiries regarding Amphenol Industrial Products should be forwarded to Amphenol Pcd- Beverly.

Amphenol Optimize, Plant 7

180 N. Freeport
Nogales, AZ 85621
Phone: 978-624-3400
www.amphenolpcd.com

Table of Contents



MIL-PRF-12883 Relay Sockets

| | Page |
|--|------|
| Amphenol Pcd Relay Socket Introduction | 6 |
| Military Qualified, QPL Listed Relay Socket Conversion Chart | 7 |
| Relay to Relay Socket Reference Chart | 8 |
| MIL-PRF-12883/40 Relay Sockets | 10 |
| MIL-PRF-12883/41 Relay Sockets | 12 |
| MIL-PRF-12883/44 Relay Sockets | 14 |
| MIL-PRF-12883/45 Relay Sockets | 15 |
| MIL-PRF-12883/46 Relay Sockets | 17 |
| MIL-PRF-12883/47 Relay Sockets | 18 |
| MIL-PRF-12883/48 Relay Sockets | 19 |
| Track Mount MIL-PRF-12883/52 Relay Sockets | 20 |
| MIL-PRF-12883/53 Mounting Track | 20 |
| M6106/31-01 & /32-01 Mounting Track Extraction Tooling | 20 |
| MIL-PRF-12883/54 Relay Sockets | 21 |
| MIL-PRF-12883/55 Relay Sockets | 22 |
| Microminiature Relay Sockets | 23 |
| MIL-PRF-12883 Board Mount Relay Sockets | 24 |
| Non-Environmental Solder Termination Relay Sockets | 25 |
| Relay Socket Mounting Instructions | 26 |



Quick Mount Relay Sockets

| | |
|---|----|
| Quick Mount Relay Socket Introduction | 27 |
| JRS 1 Pole / 25 Amp Quick Mount Relay Sockets | 28 |
| JRS 2 Pole / 10 Amp Quick Mount Relay Sockets | 29 |
| JRS 3 Pole / 25 Amp Quick Mount Relay Sockets | 30 |
| JRS 4 Pole / 10 Amp Quick Mount Relay Sockets | 31 |
| JRE 2 Pole / 5 Amp Quick Mount Relay Sockets | 32 |
| JRE 4 Pole / 5 Amp Quick Mount Relay Sockets | 33 |



MIL-T-81714 Terminal Junction Modules

| | |
|---|----|
| Amphenol Pcd MIL-T-81714 Series I Terminal Junction Module Introduction | 34 |
| Military Qualified, QPL Listed Terminal Junction Module Conversion Chart | 35 |
| MIL-T-81714/1, /6 Series I Terminal Junction Modules | 36 |
| MIL-T-81714/2, /7 Series I Terminal Junction Modules | 37 |
| MIL-T-81714/3, /8 Series I Terminal Junction Modules | 38 |
| MIL-T-81714/4, /9 Series I Terminal Junction Modules | 39 |
| MIL-T-81714/17 Series I High Density Terminal Junction Modules | 40 |
| MIL-T-81714/27 Series I Grounding Stud Terminal Junction Modules | 41 |
| MIL-T-81714/26 Series I Electronic Terminal Junction Modules | 42 |
| MIL-T-81714/11, /12, /21 Series I Terminal Junction Splices | 44 |
| MIL-T-81714 Series I Electronic Terminal Junction Splices | 44 |
| MIL-T-81714/10, /10, /16 Series I Terminal Junction Module Mounting Track | 46 |

Table of Contents



MIL-T-81714 Series II Socket Junction Modules

Page

| | |
|--|----|
| Amphenol Pcd MIL-T-81714 Series II Socket Junction Module Introduction | 47 |
| Military Qualified, QPL Listed Socket Junction Module Conversion Chart | 48 |
| MIL-T-81714/60-22 Series II Socket Junction Modules | 49 |
| MIL-T-81714/60-20 Series II Socket Junction Modules | 50 |
| MIL-T-81714/60-16 Series II Socket Junction Modules | 51 |
| MIL-T-81714/60-12 Series II Socket Junction Modules | 52 |
| MIL-T-81714/1 Series II Distribution Socket Junction Modules | 53 |
| MIL-T-81714/63 Series II Socket Ground Junction Modules | 54 |
| MIL-T-81714/63 Series II Board Mount Socket Junction Modules | 56 |
| MIL-T-81714 Series II Electronic Socket Junction Modules | 57 |
| MIL-T-81714/65 Enviromenatly Sealed Junction Splices | 58 |
| MIL-T-81714/60 Series II Socket Junction Module Mounting Track | 59 |
| MIL-T-81714/60 Series II Socket Junction Module Composite Mounting Track | 60 |



Wire Junctions and System Attachments

| | |
|--|----|
| Amphenol Pcd MIL-T-81714 Series II Socket Junction Module Introduction | 61 |
| SJS In-Line Junctions | 62 |
| High Performance P-Clamp | 64 |
| High Performance Omega Clamp | 65 |



Ampehnoi Pcd MIL-C 39029 Contacts

| | |
|---|----|
| MIL-C 39029/5, /101 Crimp Removable Socket Contacts | 66 |
| MIL-C 39029/1, /22 Crimp Removable Contacts | 67 |
| MIL-C 39029/92 Crimp Removable Socket Contacts | 68 |

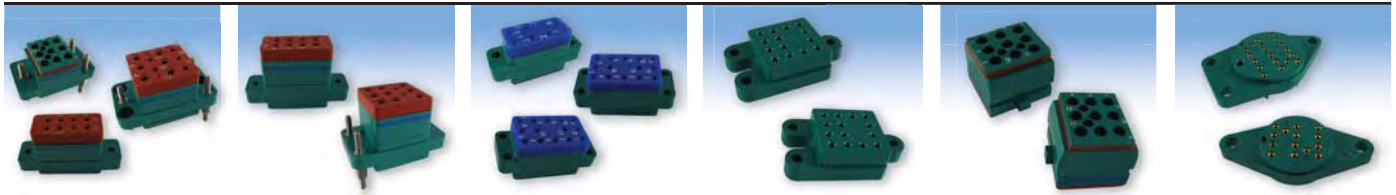
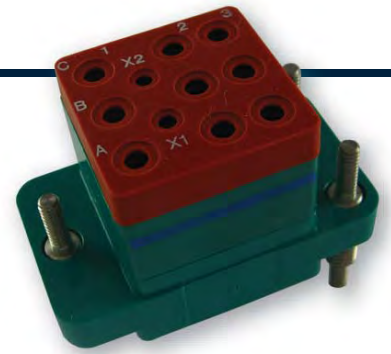
Amphenol Pcd Relay Sockets

MIL-PRF-12883

Amphenol Pcd MIL-PRF-12883 Relay Sockets

Amphenol Pcd offers the industry's broadest line of pluggable relay sockets for commercial and military airborne, ground and shipboard equipment. Sockets are to MIL-PRF-12883 specifications, plus specialized requirements, and are supplied in a broad range of military standard and special configurations and styles for 2 through 25 amp operations.

Amphenol Pcd relay Sockets feature state of the art ultrasonically bonded interfaces between the dielectric components, which eliminate air paths and provide protection against moisture and degradation.



**Low Profile
Relay Sockets**

**Extended Height
Relay Sockets**

**Microminiature
Relay Sockets**

**Board Mount
Relay Sockets**

**Track Mount
Relay Sockets**

**Solder Termination
Relay Sockets**

Key Features and Benefits

Socket Selection

Reference tables of QPL listings on Page 5, relays utilized with specific sockets on pages 6-7 and socket recommendations for military and commercial relays on pages 8-9 will assist in and simplify socket selection.

Socket Variations

Low Profile

Low Profile Relay Sockets are provided in all military configurations, are configured to a minimum size and weight, and accept the MIL-C-39029/92 contact family.

Extended Height

Extended Height Sockets are configured to accept the longer MIL-C-39029/5 contact - which is standard on many cylindrical connectors and other avionic interconnect systems - and allow contact standardization.

Mounting Hardware

Sockets are available with either fixed or loose mounting studs. Studs and hardware supplied with standard Amphenol Pcd QPL-listed sockets are cold rolled steel. Stainless steel is available as an alternate. To specify stainless steel, an "S" is added to both the QPL number and the Amphenol Pcd catalog number.

Mounting Style

Relay sockets can be top or bottom mounted. See appropriate catalog pages for mounting instructions.

Polarization

Relay-to-socket positive polarization is provided by specific contact configurations and/or polarizing pins, in accordance with MIL-Spec requirements.

Contact

Closed entry socket contacts qualified to MIL-C-39029 are utilized and supplied with Amphenol Pcd Relay Sockets. Note: Relay Socket catalog numbers include the appropriate number of contacts as defined in the applicable military specification.



Military Qualified, QPL Listed Relay Socket Part Numbers

| Military Socket P/N | PCD Socket P/N | Page |
|---------------------|----------------|------|
| M12883/40-01 | RSL116079 | 10 |
| M12883/40-02 | RSL116081 | 10 |
| M12883/40-03 | RSL116083 | 10 |
| M12883/40-04 | RSL116085 | 10 |
| M12883/40-05 | RSL116087 | 10 |
| M12883/40-06 | RSL116089 | 10 |
| M12883/40-07 | RSL116051 | 10 |
| M12883/40-08 | RSL116053 | 10 |
| M12883/40-09 | RSL116055 | 10 |
| M12883/40-10 | RSL116057 | 10 |
| M12883/40-11 | RSL116059 | 10 |
| M12883/40-12 | RSL116061 | 10 |
| M12883/40-13 | RSE116661 | 11 |
| M12883/40-14 | RSE116663 | 11 |
| M12883/40-15 | RSE116665 | 11 |
| M12883/40-16 | RSE116667 | 11 |
| M12883/40-17 | RSE116669 | 11 |
| M12883/40-18 | RSE116671 | 11 |
| M12883/40-19 | RSE116673 | 11 |
| M12883/40-20 | RSE116675 | 11 |
| M12883/40-21 | RSE116677 | 11 |
| M12883/40-22 | RSE116679 | 11 |
| M12883/40-23 | RSE116681 | 11 |
| M12883/40-24 | RSE116683 | 11 |
| M12883/41-01 | RSL116091 | 12 |
| M12883/41-02 | RSL116093 | 12 |
| M12883/41-03 | RSL116095 | 12 |
| M12883/41-04 | RSL116097 | 12 |
| M12883/41-05 | RSL116099 | 12 |
| M12883/41-06 | RSL116063 | 12 |
| M12883/41-07 | RSL116065 | 12 |
| M12883/41-08 | RSL116067 | 12 |
| M12883/41-09 | RSL116069 | 12 |
| M12883/41-10 | RSL116071 | 12 |
| M12883/41-11 | RSE116685 | 13 |
| M12883/41-12 | RSE116687 | 13 |
| M12883/41-13 | RSE116689 | 13 |
| M12883/41-14 | RSE116691 | 13 |
| M12883/41-15 | RSE116693 | 13 |
| M12883/41-16 | RSE116695 | 13 |
| M12883/41-17 | RSE116697 | 13 |
| M12883/41-18 | RSE116699 | 13 |
| M12883/41-19 | RSE116701 | 13 |

| Military Socket P/N | PCD Socket P/N | Page |
|---------------------|----------------|------|
| M12883/41-20 | RSE116703 | 13 |
| M12883/44-01 | RSE120151 | 14 |
| M12883/44-02 | RSE120153 | 14 |
| M12883/44-03 | RSE120155 | 14 |
| M12883/44-04 | RSE120157 | 14 |
| M12883/45-01 | RSE120159 | 15 |
| M12883/45-02 | RSE120161 | 15 |
| M12883/45-03 | RSE120163 | 15 |
| M12883/45-04 | RSE120165 | 16 |
| M12883/45-05 | RSE120167 | 16 |
| M12883/45-06 | RSE120169 | 16 |
| M12883/46-01 | RSE116747 | 17 |
| M12883/46-02 | RSE116749 | 17 |
| M12883/46-03 | RSE116751 | 17 |
| M12883/46-04 | RSE116753 | 17 |
| M12883/47-01 | RSE116755 | 18 |
| M12883/47-02 | RSE116757 | 18 |
| M12883/47-04 | RSE116761 | 18 |
| M12883/47-05 | RSE116763 | 18 |
| M12883/47-07 | RSL116101 | 18 |
| M12883/47-08 | RSL116103 | 18 |
| M12883/47-10 | RSL116073 | 18 |
| M12883/47-11 | RSL116075 | 18 |
| M12883/48-01 | RSE112061 | 19 |
| M12883/48-02 | RSE112063 | 19 |
| M12883/48-03 | RSL112105 | 19 |
| M12883/48-04 | RSL112101 | 19 |
| M12883/48-05 | RSE112065 | 19 |
| M12883/48-06 | RSE112067 | 19 |
| M12883/48-07 | RSL112107 | 19 |
| M12883/48-08 | RSL112103 | 19 |
| M12883/52-001 | RSE116175 | 20 |
| M12883/52-002 | RSE116185 | 20 |
| M12883/52-003 | RSE116195 | 20 |
| M12883/53-001 | RST145005 | 20 |
| M12883/54-01 | RSE116627 | 21 |
| M12883/54-02 | RSE116631 | 21 |
| M12883/54-03 | RSE116629 | 21 |
| M12883/54-04 | RSE116635 | 21 |
| M12883/55-01 | RSE112035 | 22 |
| M12883/55-02 | RSE112036 | 22 |
| M12883/55-03 | RSE112044 | 22 |

Stainless Steel Hardware

To specify Relay Sockets with Stainless Steel hardware, the suffix "S" is added to both the military and Amphenol Pcd part Numbers. For example, M12883/40-01 becomes M12883/40-01S, and the Amphenol Pcd equivalent RSL116079 becomes RSL116079-S.

Relay Socket Cross Reference Chart

Relay to Relay Socket

| Military Relay Part Number | Military Socket Part Number | APCD Socket Part Number | Relay Type | Page |
|--|--|--|-----------------|-------|
| M83536/15-002 M83536/16-006, -014, -031, -034 M83726/1, /2, /3, /4, /28, /29, /30, /31* MS27709-2 | M12883/40-01 M12883/40-05 M12883/40-07 M12883/40-11 M12883/40-13 M12883/40-17 M12883/40-19 M12883/40-23 | RSL116079 RSL116087 RSL116051 RSL116059 RSE116661 RSE116669 RSE116673 RSE116681 | 4 Pole / 10 Amp | 10-11 |
| M83536/17-002, 17-005 | M12883/40-02 M12883/40-08 M12883/40-14 M12883/40-20 | RSL116081 RSL116053 RSE116663 RSE116675 | 4 Pole / 10 Amp | 10-11 |
| M83536/18-002, -005, -008, -012 M83536/19-002, -005, -008, -012 M83536/20-002 | M12883/40-06 M12883/40-12 M12883/40-18 M12883/40-24 | RSL116089 RSL116061 RSL116671 RSE116683 | 4 Pole / 10 Amp | 10-11 |
| M83536/21-006, -014, -022, -030 M83536/22-006, -014, -022, -031 | M12883/46-01 | RSE116747 | 3 Pole / 10 Amp | 17 |
| M83536/25-002 M83536/26-002 | M12883/47-01 M12883/47-04 M12883/47-07 M12883/47-10 | RSE116755 RSE116761 RSL116101 RSL116073 | 6 Pole / 10 Amp | 18 |
| M6106/27-002 | M12883/47-02 M12883/47-05 M12883/47-08 M12883/47-11 | RSE116757 RSE116763 RSL116103 RSL116075 | 6 Pole / 10 Amp | 18 |
| MS27742-2 | M12883/54-04 | RSE116635 | 3 Pole / 25 Amp | 21 |
| MS27743-06, -12, -18, -24 | M12883/48-01 M12883/48-02 M12883/48-03 M12883/48-04 | RSE112061 RSE112063 RSL112105 RSL112101 | 3 Pole / 25 Amp | 19 |
| MS27743-09, -15, -21, -27 | M12883/48-05 M12883/48-06 M12883/48-07 M12883/48-08 | RSE112065 RSE112067 RSL112107 RSL112103 | 3 Pole / 25 Amp | 19 |
| Leach Corp. JA-D4E & J | M12883/41-03 M12883/41-08 M12883/41-13 M12883/41-18 | RSL116095 RSL116067 RSE116689 RSE116699 | 2 Pole / 10 Amp | 12-13 |
| Leach Corp. KA-D4E & J | M12883/40-04 M12883/40-10 M12883/40-16 M12883/40-22 | RSL116085 RSL116057 RSE116667 RSE116679 | 4 Pole / 10 Amp | 10-11 |

* Applies to all plug-in dash numbered relays of these documents

Relay Socket Cross Reference Chart

Relay to Relay Socket

| Military Relay Part Number | Military Socket Part Number | APCD Socket Part Number | Relay Type | Page |
|---|--|--|-------------------------------|-------|
| M6106/12-002 | M12883/54-03 | RSE116629 | 3 Pole / 25 Amp | 21 |
| M6106/13-002,-008,-011,-013,-015 | M12883/54-01 | RSE116627 | 3 Pole / 25 Amp | 21 |
| M6106/13-004 | M12883/54-02 | RSE116631 | 3 Pole / 25 Amp | 21 |
| M6106/19-004,-007,-012,-017,-022 | M12883/55-01, M12883/55-02 | RSE112035, RSE112036 | 1 Pole / 25 Amp | 22 |
| M6106/20-002 | M12883/55-03 | RSE112044 | 1 Pole / 25 Amp | 22 |
| M6106/38-002 | M12883/45-04 | RSE120165 | 2 Pole / 5 Amp | 15-16 |
| M6106/40-002 | M12883/46-02 | RSE116749 | 3 Pole / 5 Amp | 17 |
| M83536/1-006,-015,-024,-033 M83536/2-006,-015,-024,-035 | M12883/45-01 | RSE120159 | 2 Pole / 5 Amp | 15-16 |
| M83536/2-028, M83726/24, /25 | M12883/52-001 | RSE116175 | Track Mount 2 Pole / 5 Amp | 20 |
| M83536/5-006,-014, -022, -030 M83536/6-006, -015, -022, -032 | M12883/44-01 | RSE120151 | 4 Pole / 5 Amp | 14 |
| M83536/6-025 | M12883/52-002 | RSE116185 | Track Mount 4 Pole / 5 Amp | 20 |
| M83536/7-022 | M12883/44-02 | RSE120153 | 4 Pole / 5 Amp | 14 |
| M83536/9, -006, -015, -024, -035 M83536/10-006,-015,-024, -034,-038 | M12883/41-01 M12883/41-04 M12883/41-06 M12883/41-09 M12883/41-11 M12883/41-14 M12883/41-16 M12883/41-19 | RSL116091 RSL116097 RSL116063 RSL116069 RSE116685 RSE116691 RSE116695 RSE116701 | 2 Pole / 10 Amp | 12-13 |
| M83536/11-002, 004, 007 | M12883/41-02 M12883/41-07 M12883/41-12 M12883/41-17 | RSL116093 RSL116065 RSE116687 RSE116697 | 2 Pole / 10 Amp | 12-13 |
| M83536/13-002, 005, 008, 012 M83536/14-002 | M12883/41-05 M12883/41-10 M12883/41-15 M12883/41-20 | RSL116099 RSL116071 RSE116693 RSE116703 | 2 Pole / 10 Amp | 12-13 |

* Applies to all plug-in dash numbered relays of these documents

MIL-PRF-12883/40

Extended Height RSL 4 Pole/10 Amp

Relay Sockets



Mates with M83536, M6106, M27709, M83726 Relays

Operating Range

Temperature:

-65°C to 125°C

Insulation Resistance:

1000 Megaohms Min.

Dielectric Withstanding Voltage:

1500 VRMS at Sea Level

500 VRMS at 80,000 ft.

Vibration:

MIL-STD-202, Method 204

Test Condition G

Shock:

MIL-STD-202, Method 213

Test Condition C

Materials

Module Body:

Polyetherimide per ASTM-D5205

Grommet:

Silicone Rubber per A-A-59588

Hardware:

Stainless Steel or Steel w/

Cadmium Chromate Finish

Contact Retainers:

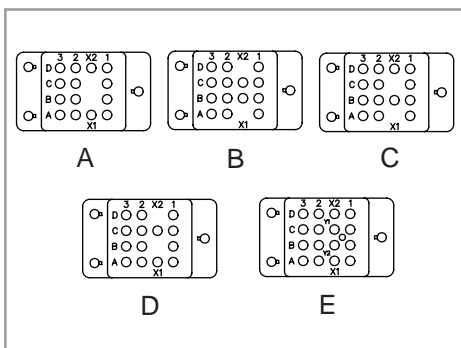
Stainless Steel

Socket Contacts:

Stainless Steel, Hard Gold Plated in

Accordance with SAE-AMS-2422

Socket Configurations



Extended Height Relay Sockets

| MIL P/N M12883 | APCD P/N | Mounting Stud | QTY | Size ¹ | Contact Config. P/N | Mating Relay |
|-------------------|-------------|------------------|-----|-------------------|------------------------|---|
| /40-01 | RSL116079 | Loose | 14 | 16/16 | /5-116 A | M83536/15-022, M83536/16-006,-014,-031,-034 M83726/1,2,3,4,28,29,30,31*, M27709-02 |
| /40-02 | RSL116081 | Loose | 14 | 16/16 | /5-116 B | M83536/17-002,-005 |
| /40-03 | RSL116083 | Loose | 14 | 16/16 | /5-116 C | |
| /40-04 | RSL116085 | Loose | 14 | 16/16 | /5-116 D | Leach Corp KA-D4E & J |
| /40-05 | RSL116087 | Loose | 14 | 16/20 | /5-117 A | M83536/15-022, M83536/16-006,-014,-031,-034 M83726/1,2,3,4,28,29,31,31, N27709-02 |
| /40-06 | RSL116089 | Loose | 16 | 16/16 | /5-116 E | M83536/18-002,005,008,012 M83536/19-002,008,012, M83536/20-002 |
| /40-07 | RSL116051 | Fixed | 14 | 16/16 | /5-116 A | M83536/15-022, M83536/16-006,-014,-031,-034 M83726/1,2,3,4,28,29,31,31, N27709-02 |
| /40-08 | RSL116053 | Fixed | 14 | 16/16 | /5-116 B | M83536/17-002,-005 |
| /40-09 | RSL116055 | Fixed | 14 | 16/16 | /5-116 C | |
| /40-10 | RSL116057 | Fixed | 14 | 16/16 | /5-116 D | Leach Corp KA-D4E & J |
| /40-11 | RSL116059 | Fixed | 14 | 16/20 | /5-117 A | M83536/15-022, M83536/16-006,-014,-031,-034 M83726/1,2,3,4,28,29,31,31, M27709-02 |
| /40-12 | RSL116061 | Fixed | 16 | 16/16 | /5-116 E | M83536/18-002,-005,-008,-012 M83536/19-002,-008,-012, M83536/20-002 |

¹Mating End / Wire Barrel

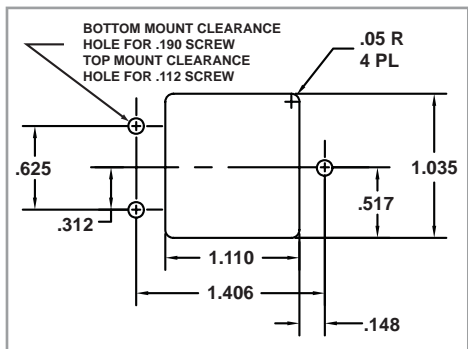
*Applies to all plug-in type relays of these documents

Mounting instructions can be found on page 26

Relay Socket Weight

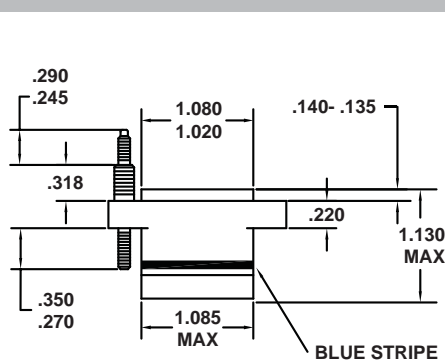
| Relay Socket | Pounds | Grams |
|-----------------|--------|-------|
| Extended Height | .132 | 60 |

Recommended Mounting Panel Cutout

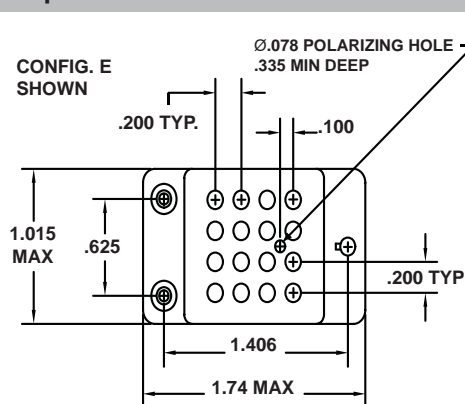


Relay Socket Dimensions

Side View



Top View



MIL-PRF-12883/40

Low Profile RSE 4 Pole/10 Amp

Operating Range

Temperature:

-65°C to 125°C

Insulation Resistance:

1000 Megaohms Min.

Dielectric Withstanding Voltage:

1500 VRMS at Sea Level

500 VRMS at 80,000 ft.

Vibration:

MIL-STD-202, Method 204

Test Condition G

Shock:

MIL-STD-202, Method 213

Test Condition C

Materials

Module Body:

Polyetherimide per ASTM-D5205

Grommet:

Silicone Rubber per A-A-59588

Hardware:

Stainless Steel or Steel w/

Cadmium Chromate Finish

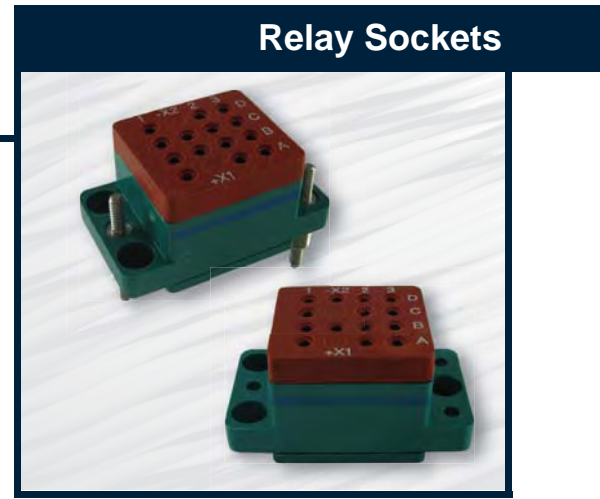
Contact Retainers:

Stainless Steel

Socket Contacts:

Stainless Steel, Hard Gold Plated in

Accordance with SAE-AMS-2422



Mates with M83536, M6106, M27709, M83726 Relays

Low Profile Relay Sockets

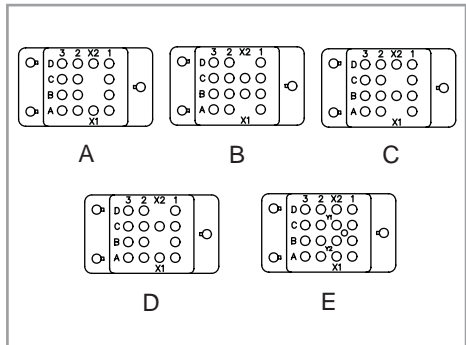
| MIL P/N M12883 | APCD P/N | Mounting Stud | QTY | Size ¹ | Contact P/N | Config. | Mating Relay |
|-------------------|-------------|------------------|-----|-------------------|----------------|---------|---|
| /40-13 | RSE116661 | Loose | 14 | 16/16 | /92-533 | A | M83536/15-022, M83536/16-006,-014,-031,-034 M83726/1,2,3,4,28,29,30,31*, M27709-02 |
| /40-14 | RSE116663 | Loose | 14 | 16/16 | /92-533 | B | M83536/17-002, 005 |
| /40-15 | RSE116665 | Loose | 14 | 16/16 | /92-533 | C | |
| /40-16 | RSE116667 | Loose | 14 | 16/16 | /92-533 | D | Leach Corp KA-D4E & J |
| /40-17 | RSE116669 | Loose | 14 | 16/20 | /92-594 | A | M83536/15-022, M83536/16-006,-014,-031,-034 M83726/1,2,3,4,28,29,30,31*, M27709-02 |
| /40-18 | RSE116671 | Loose | 16 | 16/16 | /92-533 | E | M83836/18-002,-005,-012 M83536/19-002,-005,-008,-012, M83536/20-002 |
| /40-19 | RSE116673 | Fixed | 14 | 16/16 | /92-533 | A | M83536/15-022, M83536/16-006,-014,-031,-034 M83726/1,2,3,4,28,29,30,31*, M27709-02 |
| /40-20 | RSE116675 | Fixed | 14 | 16/16 | /92-533 | B | M83536/17-002, 005 |
| /40-21 | RSE116677 | Fixed | 14 | 16/16 | /92-533 | C | |
| /40-22 | RSE116679 | Fixed | 14 | 16/16 | /92-533 | D | Leach Corp KA-D4E & J |
| /40-23 | RSE116681 | Fixed | 14 | 16/20 | /92-534 | A | M83536/15-022, M83536/16-006,-014,-031,-034 M83726/1,2,3,4,28,29,30,31*, M27709-02 |
| /40-24 | RSE116683 | Fixed | 16 | 16/16 | /92-533 | E | M83836/18-002,-005,-012 M83536/19-002,-005,-008,-012, M83536/20-002 |

¹Mating End / Wire Barrel

*Applies to all plug-in type relays of these documents

Mounting instructions can be found on page 26

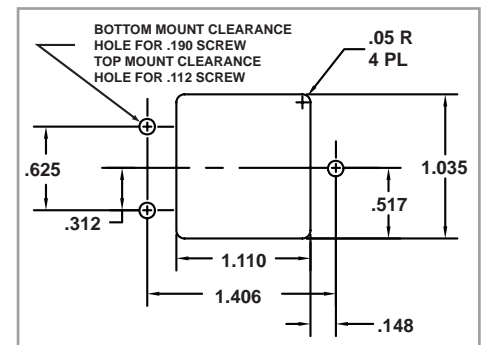
Socket Configurations



Relay Socket Weight

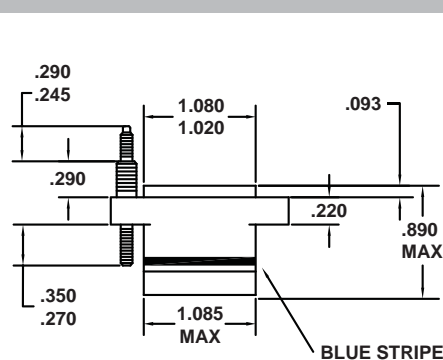
| Relay Socket | Pounds | Grams |
|--------------|--------|-------|
| Low Profile | .100 | 45 |

Recommended Mounting Panel Cutout

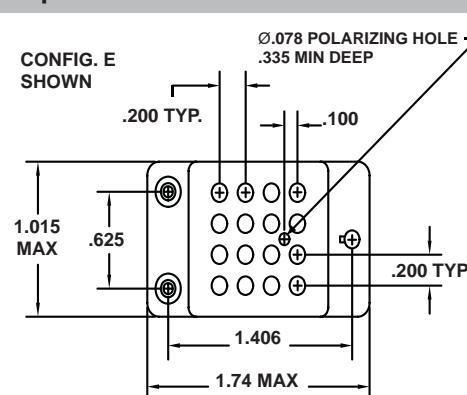


Relay Socket Dimensions

Side View



Top View

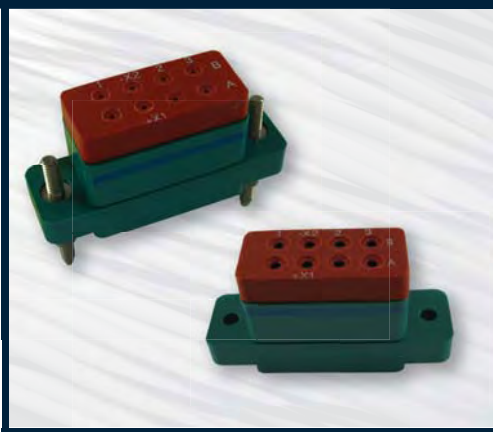


Amphenol Pcd

MIL-PRF-12883/41

Extended Height RSL 2 Pole/10 Amp

Relay Sockets



Mates with M83536, M6106 Relays

Operating Range

Temperature:

-65°C to 125°C

Insulation Resistance:

1000 Megaohms Min.

Dielectric Withstanding Voltage:

1500 VRMS at Sea Level

500 VRMS at 80,000 ft.

Vibration:

MIL-STD-202, Method 204

Test Condition G

Shock:

MIL-STD-202, Method 213

Test Condition C

Materials

Module Body:

Polyetherimide per ASTM-D5205

Grommet:

Silicone Rubber per A-A-59588

Hardware:

Stainless Steel or Steel w/

Cadmium Chromate Finish

Contact Retainers:

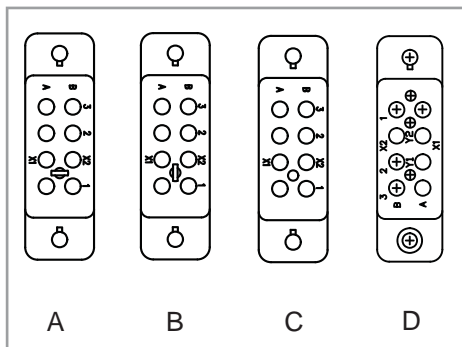
Stainless Steel

Socket Contacts:

Stainless Steel, Hard Gold Plated in

Accordance with SAE-AMS-2422

Socket Configurations



Extended Height Relay Sockets

| MIL P/N M12883 | APCD P/N | Mounting Stud | QTY | Size* | Contact P/N | Config. | Mating Relay |
|-------------------|-------------|------------------|-----|-------|----------------|---------|--|
| /41-01 | RSL116091 | Loose | 8 | 16/16 | /5-116 | C | M83536/9-006, 015, 024, 035 M83536/10-006, 015, 024, 034, 038 |
| /41-02 | RSL116093 | Loose | 8 | 16/16 | /5-116 | B | M83536/11-002, 004, 007 |
| /41-03 | RSL116095 | Loose | 8 | 16/16 | /5-116 | A | Leach Corp JA-D4E & J |
| /41-04 | RSL116097 | Loose | 8 | 16/20 | /5-117 | C | M83536/9-006, 015, 024, 035 M83536/10-006, 015, 024, 034, 038 |
| /41-06 | RSL116063 | Fixed | 8 | 16/16 | /5-116 | C | M83536/9-006, 015, 024, 035 M83536/10-006, 015, 024, 034, 038 |
| /41-07 | RSL116065 | Fixed | 8 | 16/16 | /5-116 | B | M83536/11-002, 004, 007 |
| /41-08 | RSL116067 | Fixed | 8 | 16/16 | /5-116 | A | Leach Corp JA-D4E & J |
| /41-09 | RSL116069 | Fixed | 8 | 16/20 | /5-117 | C | M83536/9-006, 015, 024, 035 M83536/10-006, 015, 024, 034, 038 |
| /41-05 | RSL116099 | Loose | 8 | 16/16 | /5-116 | D | M83536/13-002,-005,-008,-012 M83536/13-002,-005,-008,-012 |
| | | | 2 | 22/22 | /101-553 | | |
| /41-10 | RSL116071 | Fixed | 8 | 16/16 | /5-116 | D | M83536/13-002,-005,-008,-012 M83536/13-002,-005,-008,-012 |
| | | | 2 | 22/22 | /101-553 | | |

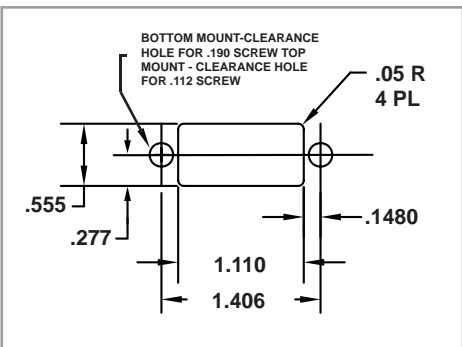
*Mating End / Wire Barrel

Mounting instructions can be found on page 25

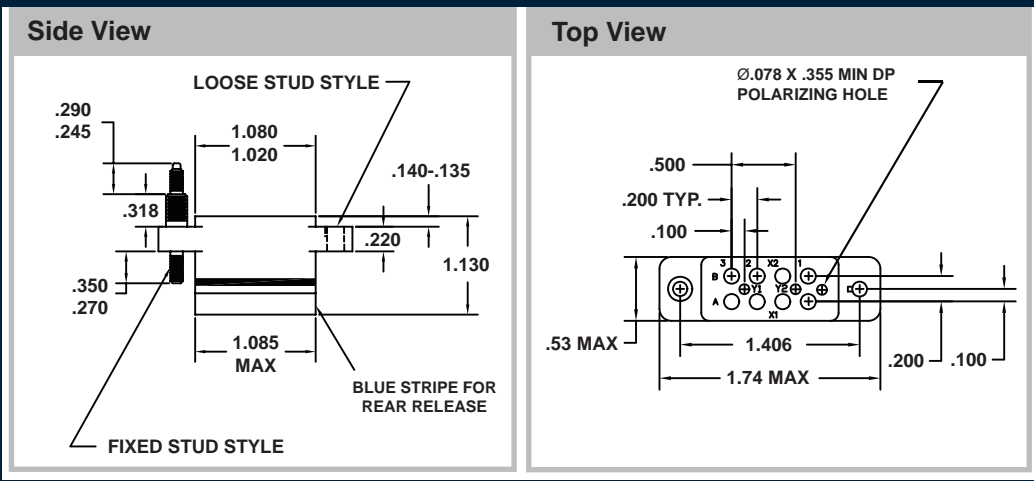
Relay Socket Weight

| Relay Socket | Pounds | Grams |
|-----------------|--------|-------|
| Extended Height | .073 | 33 |

Recommended Mounting Panel Cutout



Relay Socket Dimensions



MIL-PRF-12883/41

Low Profile RSE 2 Pole/10 Amp

Operating Range

Temperature:

-65°C to 125°C

Insulation Resistance:

1000 Megaohms Min.

Dielectric Withstanding Voltage:

1500 VRMS at Sea Level

500 VRMS at 80,000 ft.

Vibration:

MIL-STD-202, Method 204

Test Condition G

Shock:

MIL-STD-213, Method 213

Test Condition C

Materials

Module Body:

Polytherimide per ASTM-D5205

Grommet:

Silicone Rubber per A-A-59588

Hardware:

Stainless Steel or Steel w/

Cadmium Chromate Finish

Contact Retainers:

Stainless Steel

Socket Contacts:

Copper Alloy, Hard Gold Plated in

Accordance with SAE-AMS 2422



Mates with M83536, M6106 Relays

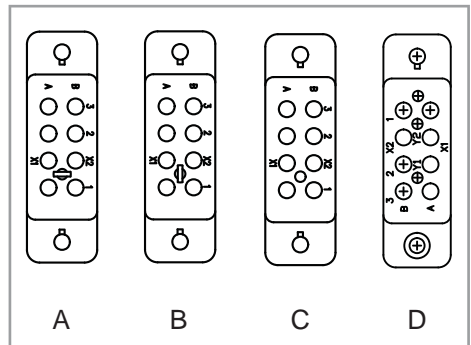
Low Profile Relay Sockets

| MIL P/N M12883 | APCD P/N | Mounting Stud | QTY | Size* | Contact P/N | Config. | Mating Relay |
|-------------------|-------------|------------------|-----|-------|----------------|---------|--|
| /40-11 | RSE116685 | Loose | 8 | 16/16 | /92-533 | C | M83536/9-006, 015, 024, 035 M83536/10-006, 015, 024, 034, 038 |
| /40-12 | RSE116687 | Loose | 8 | 16/16 | /92-533 | B | M83536/11-002, 004, 007 |
| /40-13 | RSE116691 | Loose | 8 | 16/16 | /92-533 | A | Leach Corp JA-D4E & J |
| /40-14 | RSE116693 | Loose | 8 | 16/20 | /92-534 | C | M83536/9-006, 015, 024, 035 M83536/10-006, 015, 024, 034, 038 |
| /40-16 | RSE116695 | Fixed | 8 | 16/16 | /92-533 | C | M83536/9-006, 015, 024, 035 M83536/10-006, 015, 024, 034, 038 |
| /40-17 | RSE116697 | Fixed | 8 | 16/16 | /92-533 | B | M83536/11-002, 004, 007 |
| /40-18 | RSE116699 | Fixed | 8 | 16/16 | /92-533 | A | Leach Corp JA-D4E & J |
| /40-19 | RSE116701 | Fixed | 8 | 16/20 | /92-534 | C | M83536/9-006, 015, 024, 035 M83536/10-006, 015, 024, 034, 038 |
| /41-15 | RSE116693 | Loose | 8 | 16/16 | /92-553 | D | M83536/13-002,-005,-008,-012 M83536/13-002,-005,-008,-012 |
| | | | 2 | 22/22 | /92-551 | | |
| /41-20 | RSE116703 | Fixed | 8 | 16/16 | /92-553 | D | M83536/13-002,-005,-008,-012 M83536/13-002,-005,-008,-012 |
| | | | 2 | 22/22 | /92-551 | | |

*Mating End / Wire Barrel

Mounting instructions can be found on page 26

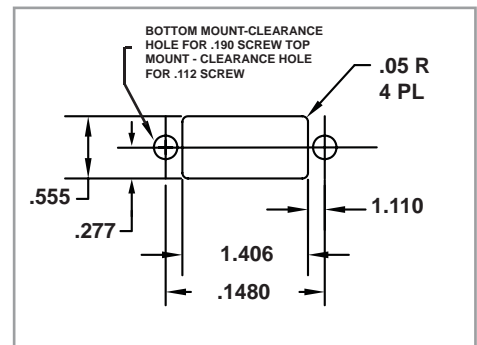
Socket Configurations



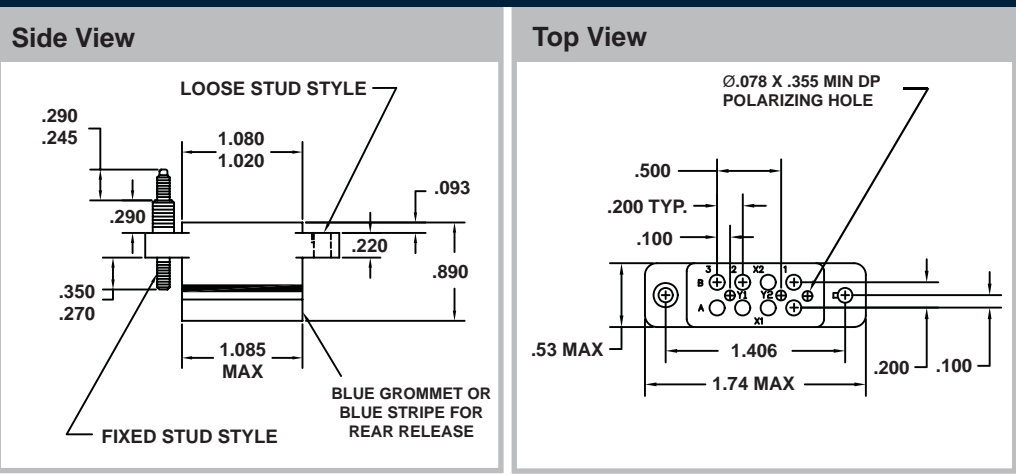
Relay Socket Weight

| Relay Socket | Pounds | Grams |
|--------------|--------|-------|
| Low Profile | .055 | 25 |

Recommended Mounting Panel Cutout



Relay Socket Dimensions



MIL-PRF-12883/44

RSE 4 Pole/5 Amp

Relay Sockets



Mates with M6106, M83536 Relays

Operating Range

Temperature:

-65°C to 125°C

Insulation Resistance:

1000 Megaohms Min.

Dielectric Withstanding Voltage:

1000 VRMS at Sea Level

500 VRMS at 80,000 ft.

Vibration:

MIL-STD-202, Method 204

Test Condition G

Shock:

MIL-STD-202, Method 213

Test Condition C

Materials

Module Body:

Polyetherimide per ASTM-D5205

Grommet:

Silicone Rubber per A-A-59588

Hardware:

Stainless Steel or Steel w/

Cadmium Chromate Finish

Contact Retainers:

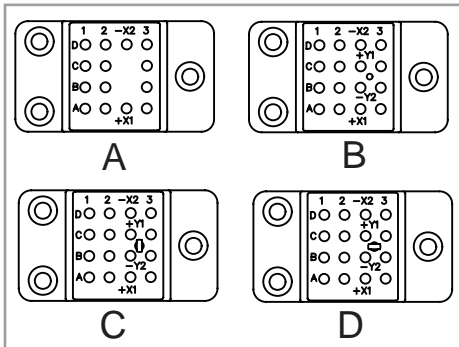
Stainless Steel

Socket Contacts:

Copper Alloy, Hard Gold Plated in

Accordance with SAE-AMS 2422

Socket Configurations



Low Profile Relay Sockets

| MIL P/N M12883 | APCD P/N | QTY | Size* | Contact P/N | Config. | Mating Relay |
|-------------------|-------------|-----|-------|----------------|---------|---|
| /44-01 | RSE120151 | 14 | 20/20 | /101-553 | A | M83536/5-006,-014,-022,-030 M83536/6,-006,-014,-022,-032 |
| /44-02 | RSE120153 | 16 | 20/20 | /101-553 | B | M83536/7-002 |
| /44-03 | RSE120155 | 16 | 20/20 | /101-553 | C | |
| /44-04 | RSE120157 | 16 | 20/20 | /101-553 | D | |

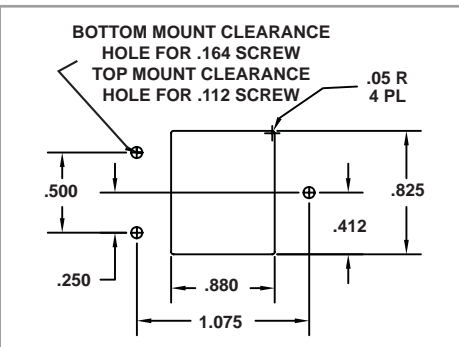
*Mating End / Wire Barrel

Mounting instructions can be found on page 26

Relay Socket Weight

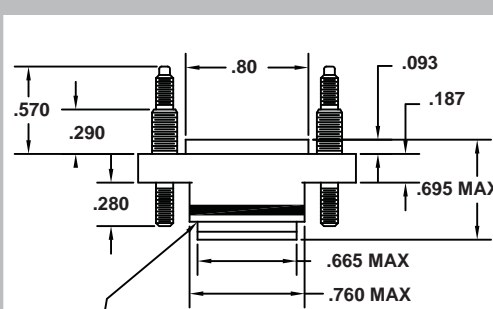
| Relay Socket | Pounds | Grams |
|--------------|--------|-------|
| Low Profile | .055 | 25 |

Recommended Mounting Panel Cutout



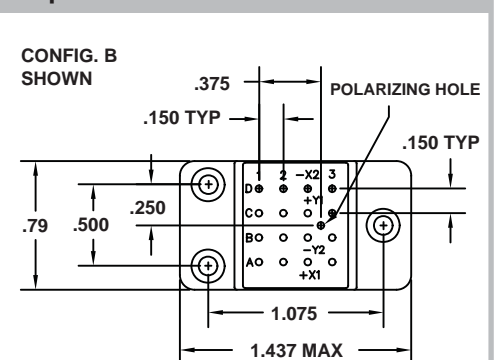
Relay Socket Dimensions

Side View



BLUE STRIPE FOR
REAR RELEASE

Top View



MIL-PRF-12883/45

RSE 2 Pole/5 Amp

Operating Range

Temperature:

-65°C to 125°C

Insulation Resistance:

1000 Megaohms Min.

Dielectric Withstanding Voltage:

1000 VRMS at Sea Level

500 VRMS at 80,000 ft.

Vibration:

MIL-STD-202, Method 204

Test Condition G

Shock:

MIL-STD-202, Method 213

Test Condition C

Materials

Socket Body:

Polyetherimide per ASTM -D5205

Grommet:

Silicone Rubber per A-A-59588

Hardware:

Stainless Steel or Steel w/

Cadmium Chromate Finish

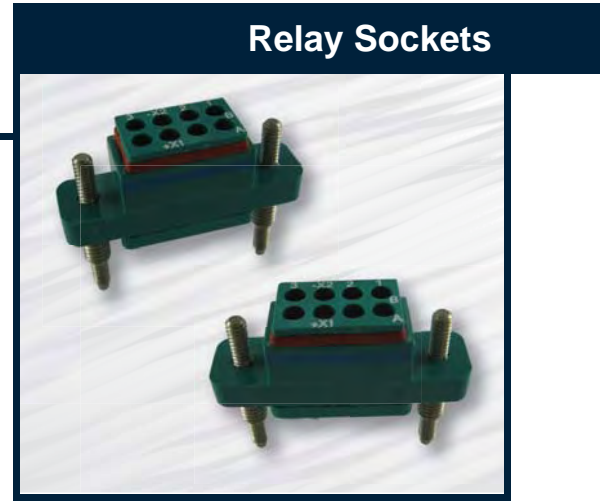
Contact Retainers:

Stainless Steel

Socket Contacts:

Copper Alloy, Hard Gold Plated in

Accordance with SAE-AMS 2422



Mates with M6106, M83536 Relays

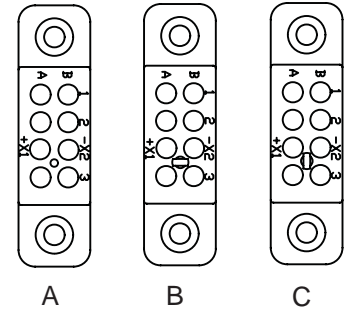
Low Profile Relay Sockets

| MIL P/N M12883 | APCD P/N | QTY | Size ¹ | Contact P/N | Config. | Mating Relay |
|-------------------|-------------|-----|-------------------|----------------|---------|--|
| /45-01 | RSE120159 | 8 | 20/20 | /101-553 | A | M83536/1-006, -015, -024, -033 M83536/2-006, -015, -024, -035 |
| /45-02 | RSE120161 | 8 | 20/20 | /101-553 | B | |
| /45-03 | RSE120163 | 8 | 20/20 | /101-553 | C | |

*Mating End / Wire Barrel

Mounting instructions can be found on page 26

Socket Configurations

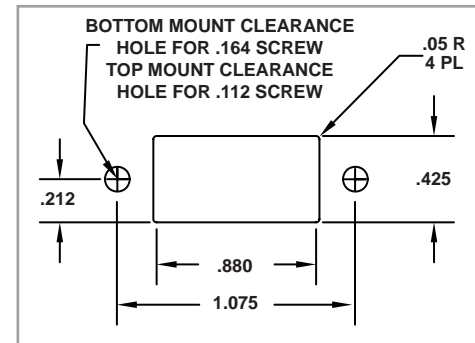


A B C

Relay Socket Weight

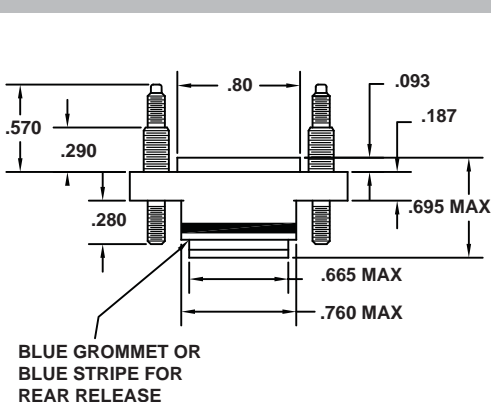
| Relay Socket | Pounds | Grams |
|--------------|--------|-------|
| Low Profile | .033 | 15 |

Recommended Mounting Panel Cutout

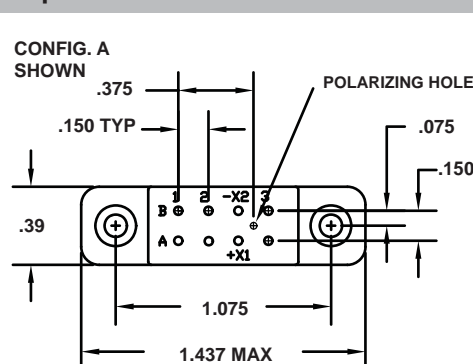


Relay Socket Dimensions

Side View



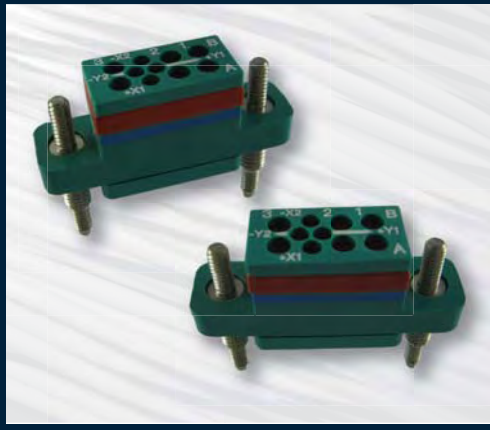
Top View



MIL-PRF-12883/45

RSE 2 Pole/5 Amp

Relay Sockets



Mates with M6106/38 Relays

Operating Range

Temperature:

-65°C to 125°C

Insulation Resistance:

1000 Megaohms Min.

Dielectric Withstanding Voltage:

1000 VRMS at Sea Level

500 VRMS at 80,000 ft.

Vibration:

MIL-STD-202, Method 204

Test Condition G

Shock:

MIL-STD-202, Method 213

Test Condition C

Materials

Socket Body:

Polyetherimide per ASTM-D5205

Grommet:

Silicone Rubber per A-A-59588

Hardware:

Stainless Steel or Steel w/

Cadmium Chromate Finish

Contact Retainers:

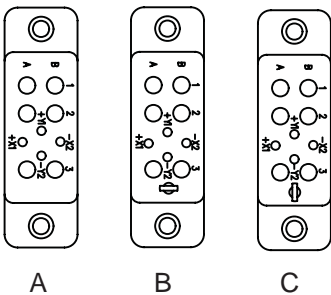
Stainless Steel

Socket Contacts:

Copper Alloy, Hard Gold Plated in

Accordance with with SAE-AMS 2422

Socket Configurations



Low Profile Relay Sockets

| MIL P/N M12883 | APCD P/N | QTY | Size ¹ | Contact P/N | Config. | Mating Relay |
|-------------------|-------------|-----|-------------------|----------------|---------|--------------|
| /45-04 | RSE120165 | 6 | 20/20 | /101-553 | A | M6106/38-002 |
| | | 4 | 22/22 | /101-552 | | |
| /45-05 | RSE120167 | 6 | 20/20 | /101-553 | B | |
| | | 4 | 22/22 | /101-552 | | |
| /45-06 | RSE120169 | 6 | 20/20 | /101-553 | C | |
| | | 4 | 22/22 | /101-552 | | |

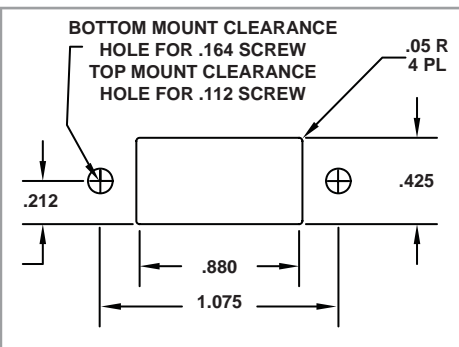
¹ Mating End / Wire Barrel

Mounting instructions can be found on page 26

Relay Socket Weight

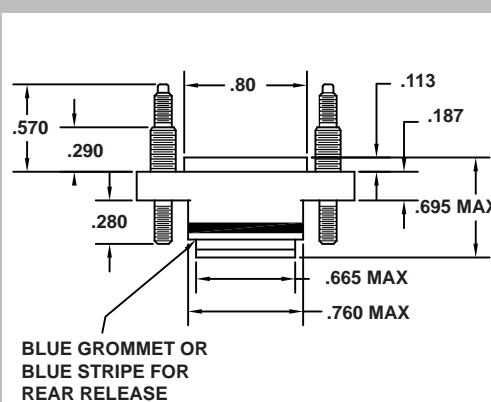
| Relay Socket | Pounds | Grams |
|--------------|--------|-------|
| Low Profile | .033 | 15 |

Recommended Mounting Panel Cutout

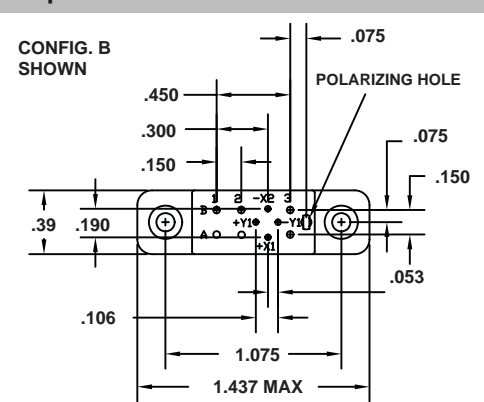


Relay Socket Dimensions

Side View



Top View



MIL-PRF-12883/46

RSE 3 Pole/10 Amp

Operating Range

Temperature:

-65°C to 125°C

Insulation Resistance:

1000 Megaohms Min.

Dielectric Withstanding Voltage:

1250 VRMS at Sea Level
500 VRMS at 80,000 ft.

Vibration:

MIL-STD-202, Method 204
Test Condition G

Shock:

MIL-STD-202, Method 213
Test Condition C

Materials

Socket Body:

Polyetherimide per ASTM -D5205

Grommet:

Silicone Rubber per A-A-59588

Hardware:

Stainless Steel or Steel w/
Cadmium Chromate Finish

Contact Retainers:

Stainless Steel

Socket Contacts:

Copper Alloy, Hard Gold Plated in
Accordance with SAE-AMS 2422

Relay Sockets



Mates with M83536, M6106 Relays

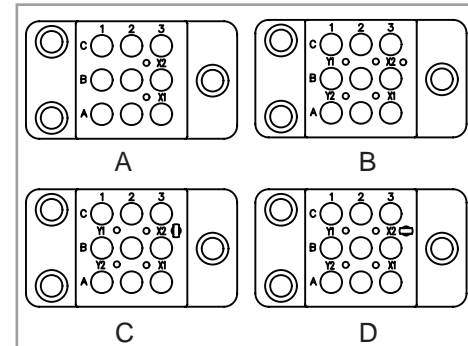
Low Profile Relay Sockets

| MIL P/N M12883 | APCD P/N | QTY | Size ¹ | Contact P/N | Config. | Mating Relay |
|-------------------|-------------|-----|-------------------|----------------|---------|--|
| /46-01 | RSE116747 | 9 | 16/16 | /101-554 | A | M83536/21-006,-014,-022,-030 M83536/22-006,-014,-022,-030 |
| | | 2 | 20/20 | /101-553 | | |
| /46-02 | RSE116749 | 9 | 16/16 | /101-554 | B | M6106/40-002 |
| | | 2 | 20/20 | /101-553 | | |
| /46-03 | RSE116751 | 9 | 16/16 | /101-554 | C | |
| | | 2 | 20/20 | /101-553 | | |
| /46-04 | RSE116753 | 9 | 16/16 | /101-554 | D | |
| | | 2 | 20/20 | /101-553 | | |

¹Mating End / Wire Barrel

Mounting instructions can be found on page 26

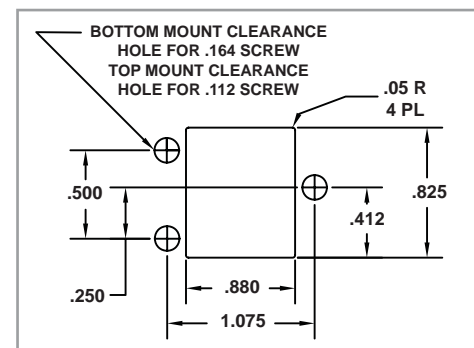
Socket Configurations



Relay Socket Weight

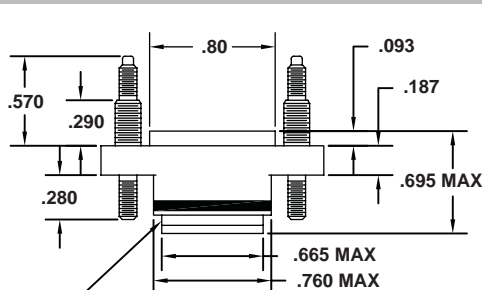
| Relay Socket | Pounds | Grams |
|--------------|--------|-------|
| Low Profile | .055 | 25 |

Recommended Mounting Panel Cutout



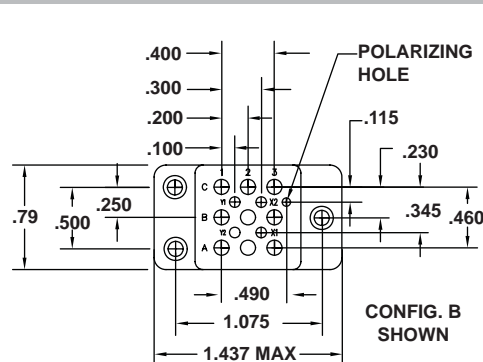
Relay Socket Dimensions

Side View



BLUE GROMMET OR
BLUE STRIPE FOR
REAR RELEASE

Top View



MIL-PRF-12883/47

RSE/RSL 6 Pole/10 Amp

Relay Sockets



Mates with M83536, M83536 Relays

Operating Range

Temperature:

-65°C to 125°C

Insulation Resistance:

1000 Megaohms Min.

Dielectric Withstanding Voltage:

1500 VRMS at Sea Level

500 VRMS at 80,000 ft.

Vibration:

MIL-STD-202, Method 204

Test Condition G

Shock:

MIL-STD-202, Method 213

Test Condition C

Materials

Socket Body:

Polyetherimide per ASTM-D5205

Grommet:

Silicone Rubber per A-A-59588

Hardware:

Stainless Steel or Steel w/

Cadmium Chromate Finish

Contact Retainers:

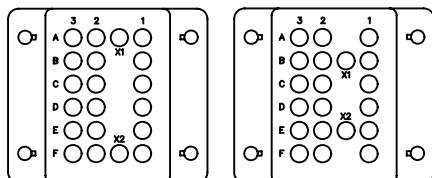
Stainless Steel

Socket Contacts:

Copper Alloy, Hard Gold Plated in

Accordance with SAE-AMS 2422

Socket Configurations



A

B

Low Profile Relay Sockets

| MIL P/N M12883 | APCD P/N | Mounting Stud | QTY | Size ¹ | Contact P/N | Config. | Mating Relay |
|-------------------|-------------|------------------|-----|-------------------|----------------|---------|------------------------------|
| /47-01 | RSE116755 | Loose | 20 | 16/16 | /92-533 | A | M83536/25-002, M83536/26-002 |
| /47-02 | RSE116757 | Loose | 20 | 16/16 | /92-533 | B | M83536/27-002 |
| /47-04 | RSE116761 | Fixed | 20 | 16/16 | /92-533 | A | M83536/25-002, M83536/26-002 |
| /47-05 | RSE116763 | Fixed | 20 | 16/16 | /92-533 | B | M83536/27-002 |

Extended Height Relay Sockets

| MIL P/N M12883 | APCD P/N | Mounting Stud | QTY | Size ¹ | Contact P/N | Config. | Mating Relay |
|-------------------|-------------|------------------|-----|-------------------|----------------|---------|------------------------------|
| /47-07 | RSL116101 | Loose | 20 | 16/16 | /5-116 | A | M83536/25-002, M83536/26-002 |
| /47-08 | RSL116103 | Loose | 20 | 16/16 | /5-116 | B | M83536/27-002 |
| /47-10 | RSL116073 | Fixed | 20 | 16/16 | /5-116 | A | M83536/25-002, M83536/26-002 |
| /47-11 | RSL116075 | Fixed | 20 | 16/16 | /5-116 | B | M83536/27-002 |

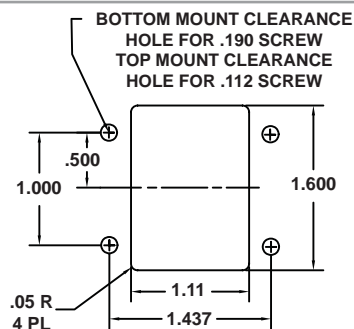
¹Mating End / Wire Barrel

Mounting instructions can be found on page 26

Relay Socket Weight

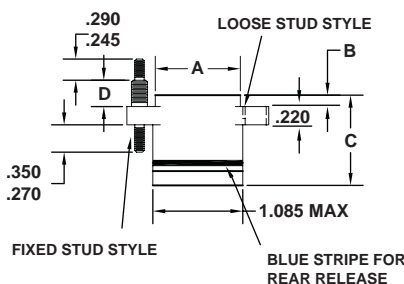
| Relay Socket | Pounds | Grams |
|-----------------|--------|-------|
| Extended Height | .176 | 80 |
| Low Profile | .144 | 65 |

Recommended Mounting Panel Cutout



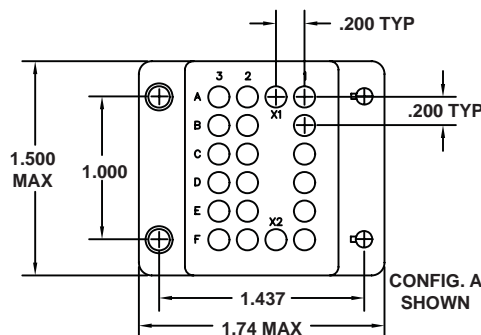
Relay Socket Dimensions

Side View



| Relay Socket | A | B | C Max | D |
|-----------------|------|-----------|-------|------|
| Extended Height | 1.03 | .140-.135 | 1.25 | .318 |
| Low Profile | 1.08 | .093 | .890 | .290 |

Top View



MIL-PRF-12883/48

RSE/RSL 3 Pole/25 Amp

Operating Range

Temperature:

-65°C to 125°C

Insulation Resistance:

1000 Megaohms Min.

Dielectric Withstanding Voltage:

1500 VRMS at Sea Level

500 VRMS at 80,000 ft.

Vibration:

MIL-STD-202, Method 204

Test Condition G

Shock:

MIL-STD-202, Method 213

Test Condition C

Materials

Socket Body:

Polyetherimide per ASTM-D5205

Grommet:

Silicone Rubber per A-A-59588

Hardware:

Stainless Steel or Steel w/

Cadmium Chromate Finish

Contact Retainers:

Stainless Steel

Socket Contacts:

Copper Alloy, Hard Gold Plated in

Accordance with SAE-AMS 2422



Mates with MS27743 Relays

Low Profile Relay Sockets

| MIL P/N M12883 | APCD P/N | Mounting Stud | QTY | Size ¹ | Contact P/N | Config. | Mating Relay |
|-------------------|-------------|------------------|-----|-------------------|----------------|---------|---------------------------|
| /48-01 | RSE112061 | Loose | 2 | 16/16 | /92-533 | A | MS27743-06, -12, -18, -24 |
| | | | 9 | 12/12 | /92-535 | | |
| /48-02 | RSE112063 | Fixed | 2 | 16/16 | /92-533 | A | MS27743-06, -12, -18, -24 |
| | | | 9 | 12/12 | /92-535 | | |
| /48-05 | RSE112065 | Loose | 2 | 16/16 | /92-533 | B | MS27743-09, -15, -21, -27 |
| | | | 9 | 12/12 | /92-535 | | |
| /48-06 | RSE112067 | Fixed | 2 | 16/16 | /92-533 | B | MS27743-09, -15, -21, -27 |
| | | | 9 | 12/12 | /92-535 | | |

Extended Height Relay Sockets

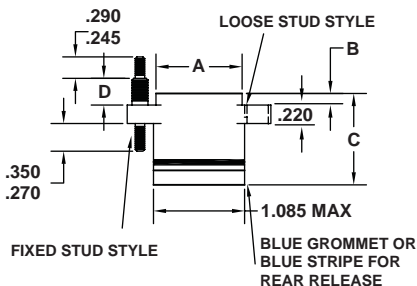
| MIL P/N M12883 | APCD P/N | Mounting Stud | QTY | Size ¹ | Contact P/N | Config. | Mating Relay |
|-------------------|-------------|------------------|-----|-------------------|----------------|---------|---------------------------|
| /48-03 | RSL112105 | Loose | 2 | 16/16 | /5-116 | A | MS27743-06, -12, -18, -24 |
| | | | 9 | 12/12 | /5-118 | | |
| /48-04 | RSL112101 | Fixed | 2 | 16/16 | /5-116 | A | MS27743-06, -12, -18, -24 |
| | | | 9 | 12/12 | /5-118 | | |
| /48-07 | RSL112107 | Loose | 2 | 16/16 | /5-116 | B | MS27743-09, -15, -21, -27 |
| | | | 9 | 12/12 | /5-118 | | |
| /48-08 | RSL112103 | Fixed | 2 | 16/16 | /5-116 | B | MS27743-09, -15, -21, -27 |
| | | | 9 | 12/12 | /5-118 | | |

¹Mating End / Wire Barrel

Mounting instructions can be found on page 25

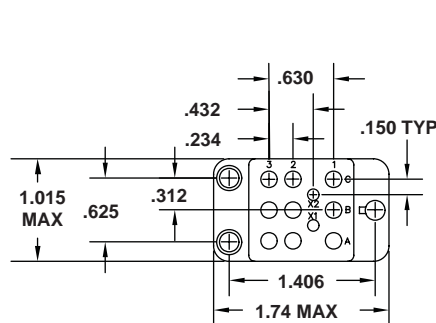
Relay Socket Dimensions

Side View

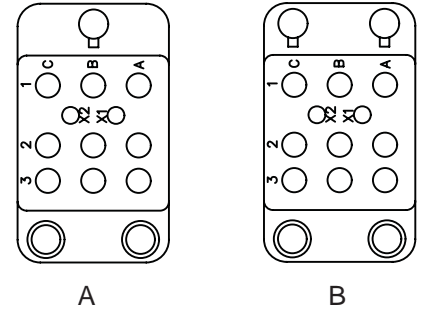


| Relay Socket | A | B | C Max | D |
|-----------------|------|-----------|-------|------|
| Extended Height | 1.03 | .140-.135 | 1.25 | .318 |
| Low Profile | 1.00 | .093 | .890 | .290 |

Top View



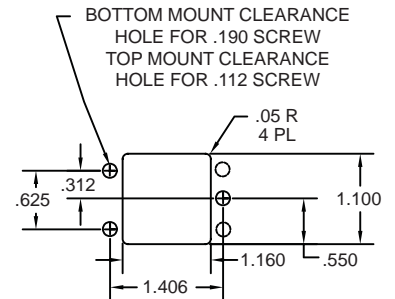
Socket Configurations



Relay Socket Weight

| Relay Socket | Pounds | Grams |
|-----------------|--------|-------|
| Extended Height | .129 | 55 |
| Low Profile | .109 | 49 |

Recommended Mounting Panel Cutout



MIL-PRF-12883/52, MIL-PRF-12883/53

RSE Track Mount 2, 3, & 4 Pole & Mounting Track

Relay Sockets



Mates with MS83726, M83536 & M6106 Relays

Operating Range

Temperature:

-65°C to 125°C

Insulation Resistance:

1000 Megaohms Min.

Dielectric Withstanding Voltage:

1500 VRMS at Sea Level

700 VRMS at 80,000 ft.

Vibration:

MIL-STD-202, Method 204

Test Condition G

Shock:

MIL-STD-202, Method 213

Test Condition C

Materials

Socket Body:

Polyetherimide per ASTM-D5205

Grommet:

Silicone Rubber per A-A-59588

Contact Retainers:

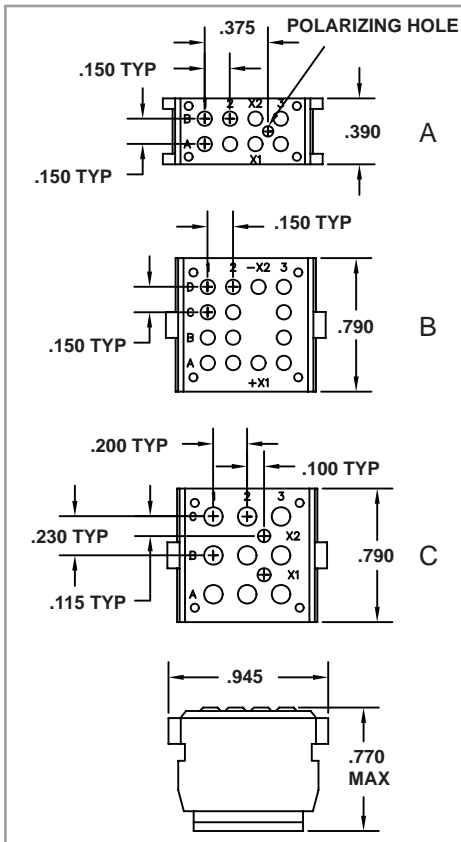
Beryllium Copper

Socket Contacts:

Copper Alloy, Hard Gold Plated in

Accordance with MIL-G-45204

Socket Dimensions



Relay Socket Weight

| Relay Socket | Pounds | Grams |
|--------------|--------|-------|
| RSE116175 | .016 | 7 |
| RSE116185 | .031 | 14 |
| RSE116195 | .031 | 14 |

Low Profile Relay Sockets

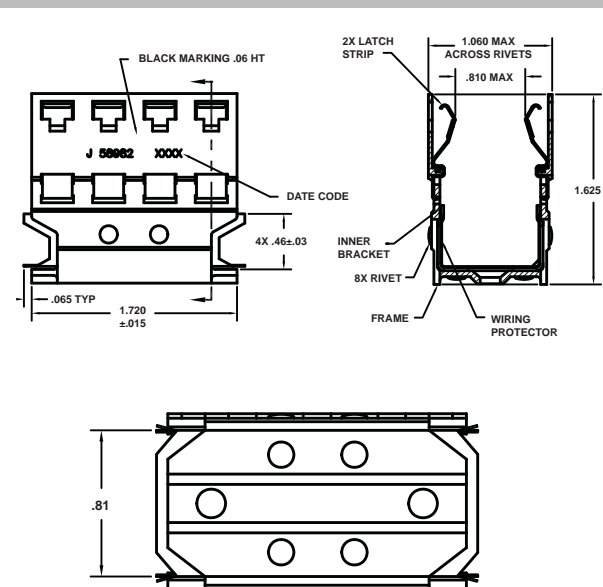
| MIL P/N M12883* | APCD P/N* | QTY | Size ¹ | Contact P/N | Config. | Mating Relay |
|--------------------|--------------|-----|-------------------|----------------|---------|------------------------------|
| /52-001 | RSE116175 | 8 | 20/20 | /101-553 | A | M83536/2-028, M83726/27, /25 |
| /52-002 | RSE116185 | 14 | 20/20 | /101-533 | B | M8536/6-025 |
| /52-003 | RSE116195 | 9 | 16/16 | /101-554 | C | M83536/22-025 |
| | | 2 | 20/20 | /101-553 | | |

*These Relay Sockets are used in the track mount system with track M12883/53-001, Amphenol Pcd P/N RST145005

¹ Mating End / Wire Barrel

M12883/53-001 Mounting Track Dimensions

Track Dimensions



Track Materials

Outer Track:

Aluminum Alloy per QQ-A-225.

Chemical Coating per

MIL-C-5541, Class 3

Inner Brackets and Rivets:

Stainless Steel per QQ-S-766, Passivated

Latch:

Beryllium copper #172 per QQ-C-533

Bright Finish

Wiring Protector:

Aramid Paper per MIL-I-24202

Track Operating Range:

-65°C to 125°C

Track Weight

| Part Number | Pounds | Grams |
|-------------|--------|-------|
| RST145005 | .053 | 24 |



Use tool M6106/32-001 to remove M1288/52 sockets.
Use tool M6106/31-001 to remove relays from this mounting bracket.

MIL-PRF-12883/54

RSE 3 Pole/25 Amp

Operating Range

Temperature:

-65°C to 125°C

Insulation Resistance:

1000 Megaohms Min.

Dielectric Withstanding Voltage:

1500 VRMS at Sea Level

500 VRMS at 80,000 ft.

Vibration:

MIL-STD-202, Method 204

Test Condition G

Shock:

MIL-STD-202, Method 213

Test Condition C

Materials

Socket Body:

Polyetherimide per ASTM-D5205

Grommet:

Silicone Rubber per A-A-59588

Hardware:

Stainless Steel or Steel w/

Cadmium Chromate Finish

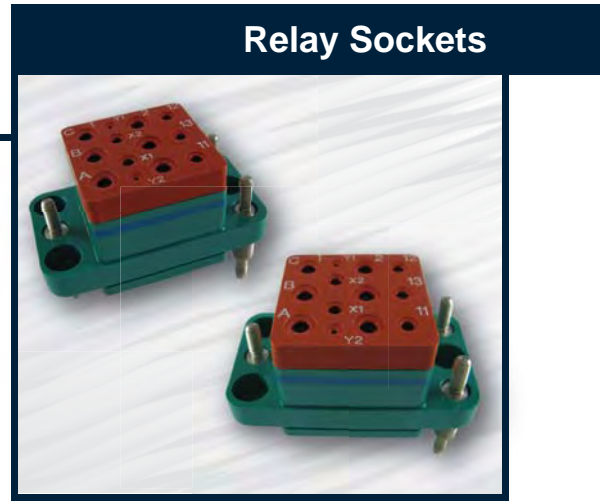
Contact Retainers:

Stainless Steel

Socket Contacts:

Copper Alloy, Hard Gold Plated in

Accordance with SAE-AMS 2422



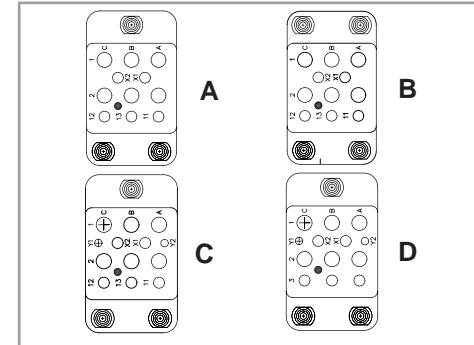
Mates with M6106/12, /13 & MS27742 Relays

Low Profile Relay Sockets

| MIL P/N M12883 | APCD P/N | Mounting Stud | QTY | Size* | Contact P/N | Config. | Mating Relay |
|-------------------|-------------|------------------|-----|-------|----------------|---------|----------------------------------|
| /54-01 | RSE116627 | Fixed | 5 | 16/16 | /92-533 | A | M6106/13-002,-008,-011,-013,-015 |
| | | | 6 | 12/12 | /92-535 | | |
| /54-02 | RSE116631 | Fixed | 5 | 16/16 | /92-533 | B | M6106/13-004 |
| | | | 6 | 12/12 | /92-535 | | |
| /54-03 | RSE116629 | Fixed | 2 | 20/20 | /92-532 | C | M6106/12-002 |
| | | | 5 | 16/16 | /92-533 | | |
| /54-04 | RSE116635 | Fixed | 2 | 20/20 | /92-532 | D | MS27742-2 |
| | | | 2 | 16/16 | /92-535 | | |
| | | | 9 | 12/12 | /92-535 | | |

Mounting instructions can be found on page 26

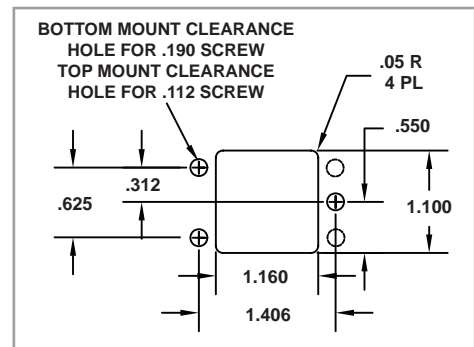
Socket Configurations



Relay Socket Weight

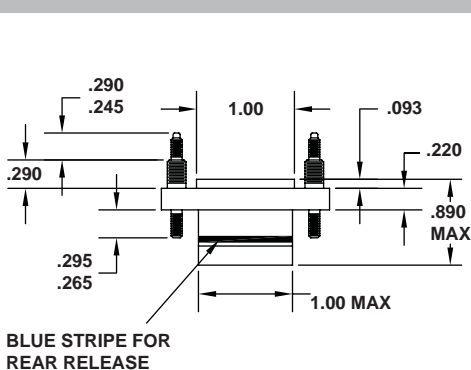
| Relay Socket | Pounds | Grams |
|--------------|--------|-------|
| RSE116627 | .132 | 60 |
| RSE116631 | .132 | 60 |
| RSE116629 | .154 | 70 |
| RSE116635 | .154 | 70 |

Recommended Mounting Panel Cutout

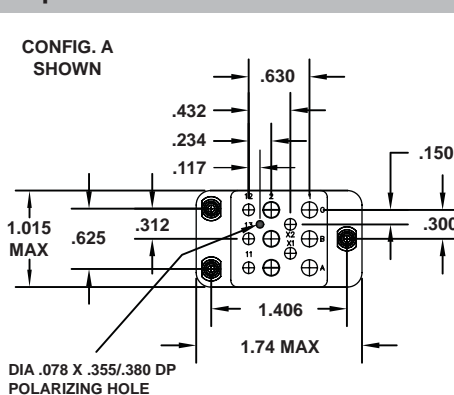


Relay Socket Dimensions

Side View



Top View



MIL-PRF-12883/55

RSE 1 Pole/25 Amp

Relay Sockets



Mates with M6106/19, /20 Relays

Operating Range

Temperature:

-65°C to 125°C

Insulation Resistance:

1000 Megohms Min.

Dielectric Withstanding Voltage:

1500 VRMS at Sea Level

500 VRMS at 80,000 ft.

Vibration:

MIL-STD-202, Method 204

Test Condition G

Shock:

MIL-STD-202, Method 213

Test Condition C

Materials

Socket Body:

Polyetherimide per ASTM-D5205

Grommet:

Silicone Rubber per A-A-59588

Hardware:

Stainless Steel or Steel w/

Cadmium Chromate Finish

Contact Retainers:

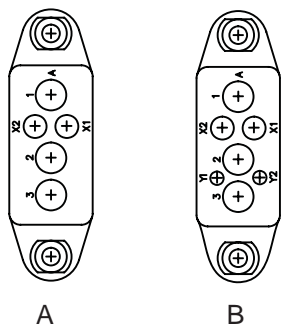
Stainless Steel

Socket Contacts:

Copper Alloy, Hard Gold Plated in

Accordance with SAE-AMS 2422

Socket Configurations



Low Profile Relay Sockets

| MIL P/N M12883 | APCD P/N | Mounting Stud | QTY | Size ¹ | Contact P/N | Config. | Mating Relay |
|-------------------|-------------|------------------|-----|-------------------|----------------|---------|---|
| /55-01 | RSE112035 | Fixed | 2 | 16/16 | /92-533 | A | M6106/19-004, -007, -012, -017, -022 |
| | | | 3 | 12/12 | /92-535 | | |
| /55-02 | RSE112036 | Fixed | 2 | 16/16 | /92-533 | A | M6106/19-004, -007, -012, -017, -022 |
| | | | 3 | 12/12 | /92-535 | | |
| /55-03 | RSE112044 | Fixed | 2 | 22/22 | /92-531 | B | M6106/20-002 |
| | | | 2 | 16/16 | /92-533 | | |
| | | | 3 | 12/12 | /92-535 | | |

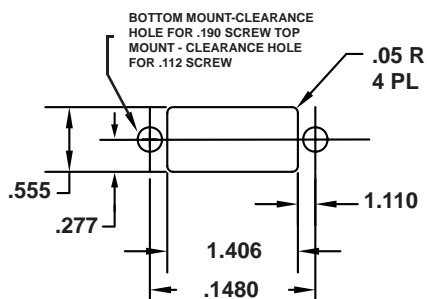
¹Mating End / Wire Barrel

Mounting instructions can be found on page 26

Relay Socket Weight

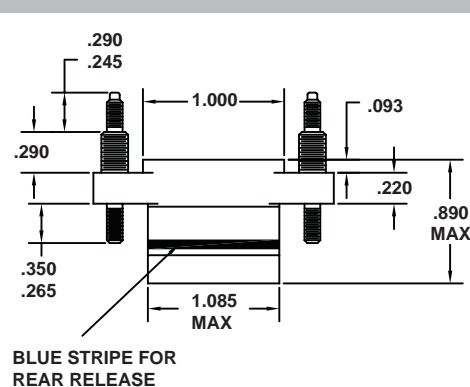
| Relay Socket | Pounds | Grams |
|--------------|--------|-------|
| Low Profile | .073 | 33 |

Recommended Mounting Panel Cutout

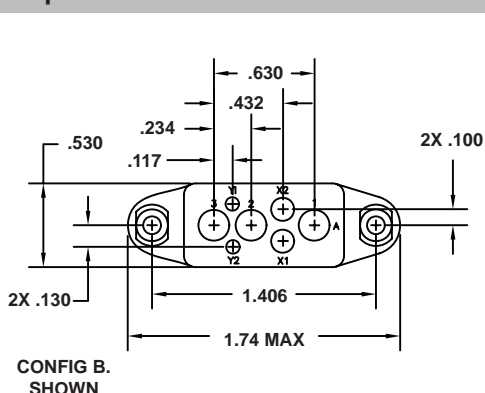


Relay Socket Dimensions

Side View



Top View



Microminiature Relay Sockets

RSE 2 & 3 Pole, 2 Amp

Operating Range

Temperature:

-65°C to 125°C

Insulation Resistance:

1000 Megaohms Min.

Dielectric Withstanding Voltage:

2500 VRMS at Sea Level

700 VRMS at 80,000 ft.

Vibration:

MIL-STD-202, Method 204

Test Condition G

Shock:

MIL-STD-202, Method 213

Test Condition C

Materials

Module Body:

Polyetherimide per ASTM-D5205

Grommet:

Silicone Rubber per A-A-59588

Hardware:

Stainless Steel or Steel w/

Cadmium Chromate Finish

Contact Retainers:

Stainless Steel

Socket Contacts:

Copper Alloy, Hard Gold Plated in

Accordance with SAE-AMS 2422

Relay Sockets



Mates with M39016 & M5757 Relays

Relay Sockets for 2 Pole/ 2 Amp Microminiature Relays

| APCD P/N | QTY | Size | Contact P/N | Config. | Mating Relay |
|-----------|-----|-------|-------------|---------|-----------------------------------|
| RSE120020 | 8 | 22/20 | CNS109900 | A | MIL-R-5757/10-022,-044 |
| RSE120074 | 8 | 22/20 | CNS109900 | B | MIL-R-39016/55-001,-013,-025,-037 |

Relay Sockets for 3 Pole/ 2 Amp Microminiature Relays

| APCD P/N | QTY | Size | Contact P/N | Config. | Mating Relay |
|-----------|-----|-------|-------------|---------|------------------------------|
| RSE120070 | 14 | 22/20 | CNS109900 | C | MIL-R-39016/39-002,-008,-014 |

Mounting instructions can be found on page 26

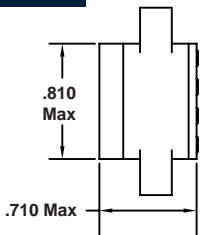
Product Description

Microminiature Relay Sockets are designed to mate with M39016 & M5757 Microminiature Relays. Amphenol Pcd supplies three separate relay sockets for customers using Microminiature Relays.

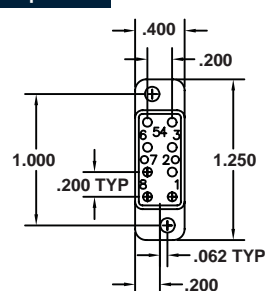
Relay Socket Dimensions

RSE120020

Side View

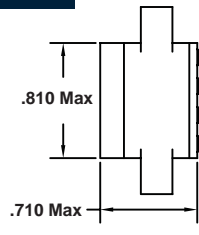


Top View

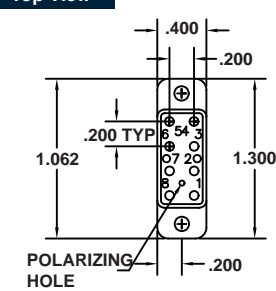


RSE120074

Side View

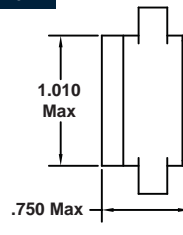


Top View

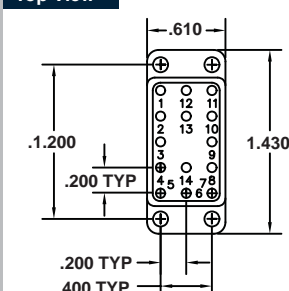


RSN120070

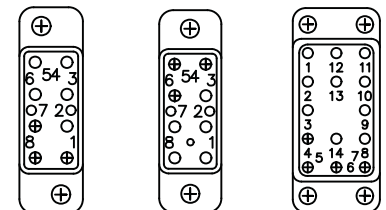
Side View



Top View



Socket Configurations



A

B

C

Relay Socket Weight

| Relay Socket | Pounds | Grams |
|--------------|--------|-------|
| RSE120020 | .024 | 11 |
| RSE120074 | .024 | 11 |
| RSN120070 | .044 | 20 |

Amphenol Pcd

Board Mount MIL-PRF-12883

RSN 2,4 Pole/10 Amp, 3 Pole/25 Amp

Relay Sockets



Mates with MIL-R-6106 & MS27743 Relays

Operating Range

Temperature:

-65°C to 125°C

Insulation Resistance:

1000 Megohms Min.

Dielectric Withstanding Voltage:

1500 VRMS at Sea Level

500 VRMS at 80,000 ft.

Vibration:

MIL-STD-202, Method 204

Test Condition G

Shock:

MIL-STD-202, Method 213

Test Condition C

Materials

Module Body:

Polyetherimide per ASTM-D5205

Hardware:

Stainless Steel or Steel w/

Cadmium Chromate Finish

Contact Retainers:

Stainless Steel

Socket Contacts:

Copper Alloy, Hard Gold Plated in

Accordance with SAE-AMS 2422

Product Description

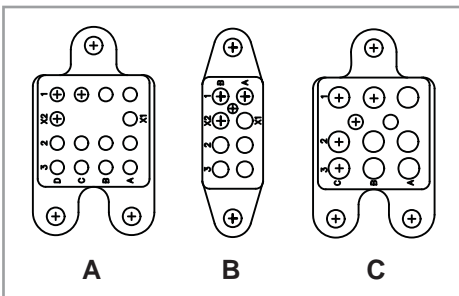
Product Line of pluggable, PC board mount relay sockets allows separable mounting of relays direct to boards in airborne or ground applications. Polyetherimide body and scalloped mounting flange reduce weight and improve strength. Mounting hardware supplied with connector secures firmly to board and eliminates stress on solder contacts. Gold-plated contacts and solder-dipped contact tails are available. Meets all applicable specifications.

Board Mount Relay Sockets

| APCD P/N | QTY | Size ¹ | Contact P/N | Config. | Mating Relay |
|-----------|-----|-------------------|-------------|---------|---------------------|
| RSN116140 | 14 | 16/16 | /92-533 | A | MIL-R-6106, MS27400 |
| RSN116130 | 8 | 16/16 | /92-533 | B | MIL-R-6106, MS27401 |
| RSN112010 | 9 | 12/12 | /92-535 | C | MIL-R-6106, MS27743 |
| | 2 | 16/16 | /92-533 | | |

Mounting instructions can be found on page 26

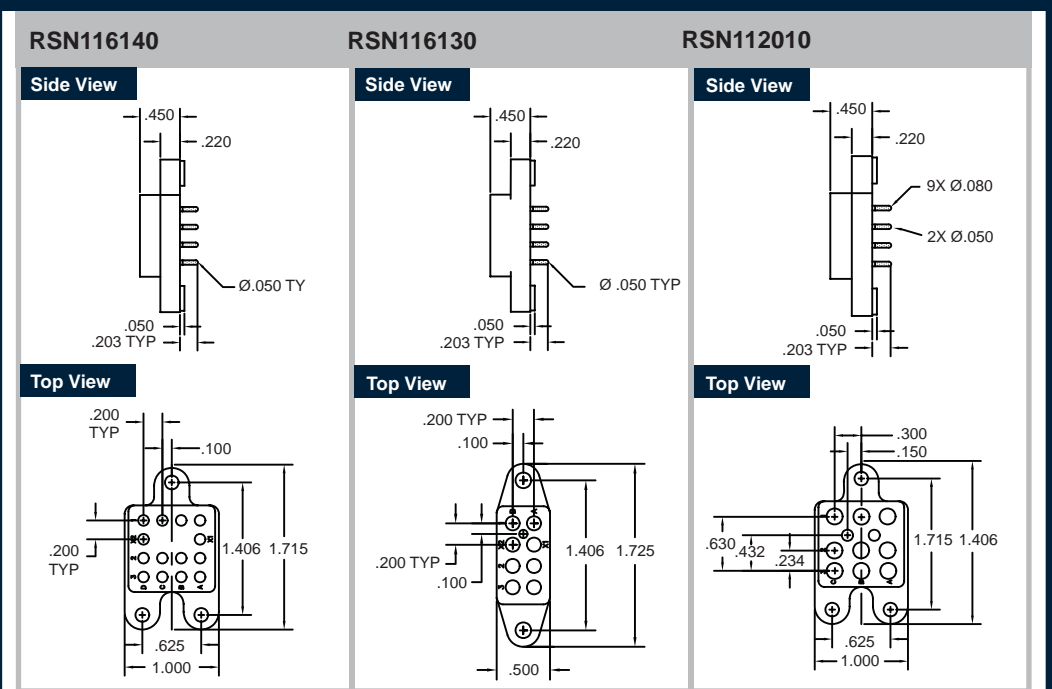
Socket Configurations



Relay Socket Weight

| Relay Socket | Pounds | Grams |
|--------------|--------|-------|
| RSN116140 | .055 | 25 |
| RSN116130 | .033 | 15 |
| RSN112010 | .057 | 26 |

Relay Socket Dimensions



Non-Environmental Relay Sockets

Solder Termination

6 Pole/5 Amp, 4 Pole/10 Amp, 2 & 4 Pole/5 Amp, 2 Pole /10Amp

Operating Range

Temperature:

-65°C to 125°C

Insulation Resistance:

1000 Megaohms Min.

Dielectric Withstanding Voltage:

1500 VRMS at Sea Level

500 VRMS at 80,000 ft.

Vibration:

MIL-STD-202, Method 204

Test Condition G

Shock:

MIL-STD-202, Method 213

Test Condition C

Materials

Socket Body:

Polyetherimide per ASTM-D5205

Hardware:

Stainless Steel or Steel w/

Cadmium Chromate Finish

Contact Retainers:

Stainless Steel

Socket Contacts:

Copper Alloy, Hard Gold Plated in

Accordance with SAE-AMS 2422

Relay Sockets



Mates with M25027 & Series 9226, 9224, 9225, 9220, 9229, 9927 Leach Corp. Relays

Solder Termination Relay Sockets

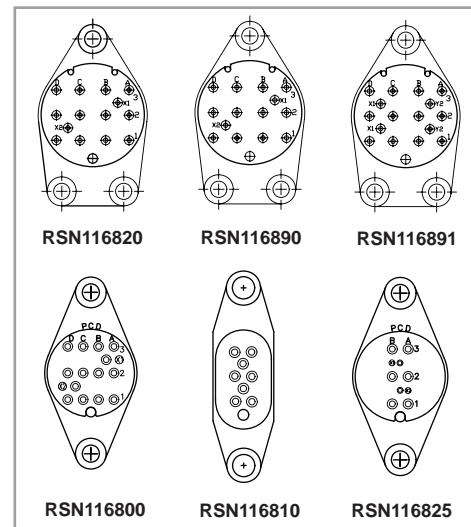
| APCD P/N | Ref MIL STD Socket | MIL STD Relay | Leach Corp Relay |
|-----------|--------------------|-------------------------|------------------|
| RSN116820 | MS25330 | MS25329 (6 Pole/5 Amp) | 9226 Series |
| RSN116890 | MS25328 | MS25327 (4 Pole/10 Amp) | 9224 Series |
| RSN116891 | MS25462 | MS25461 (4 Pole/10 Amp) | 9225 Series |
| RSN116800 | MS25326 | MS25325 (4 Pole/5 Amp) | 9220 Series |
| RSN116810 | MS25322 | MS25321 (2 Pole/10 Amp) | 9229 Series |
| RSN116825 | MS25324 | MS25323 (2 Pole/10 Amp) | 9227 Series |

Mounting instructions can be found on page 26

Product Description

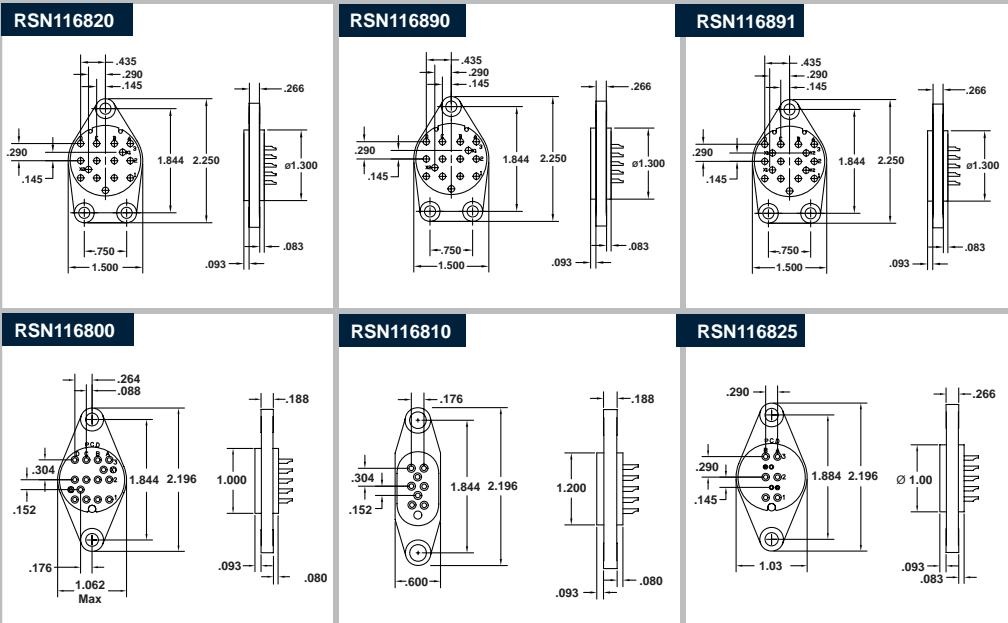
Solder Termination Relay Sockets with Polyetherimide body and scalloped mounting flange to reduce weight and improve strength. Mounting hardware supplied with product.

Socket Configurations



Relay Socket Dimensions

Solder Termination



Relay Socket Weight

| Relay Socket | Pounds | Grams |
|--------------|--------|-------|
| RSE120020 | .024 | 11 |
| RSE120074 | .024 | 11 |
| RSN120070 | .044 | 20 |

Amphenol Pcd

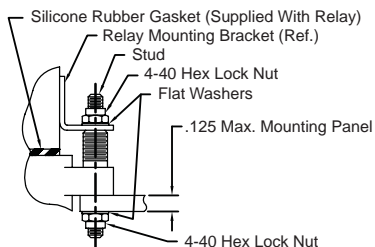
Relay Socket Mounting Instructions

Top Mount & Bottom Mount

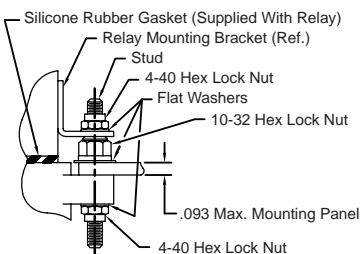
Mounting Instructions

MIL-PRF-12883/40, MIL-PRF-12883/41
 MIL-PRF-12883/47, MIL-PRF-12883/48
 MIL-PRF-12883/54, MIL-PRF-12883/55

TOP MOUNT



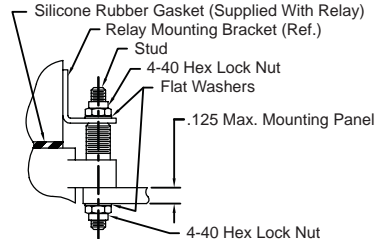
BOTTOM MOUNT



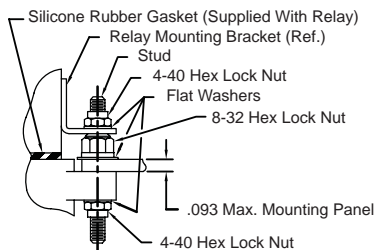
Mounting Instructions

MIL-PRF-12883/44, MIL-PRF-12883/45
 MIL-PRF-12883/46

TOP MOUNT



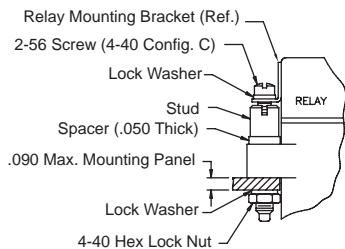
BOTTOM MOUNT



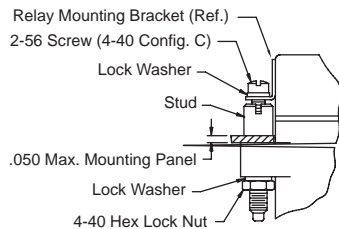
Mounting Instructions

Mircominature Relay Sockets

TOP MOUNT



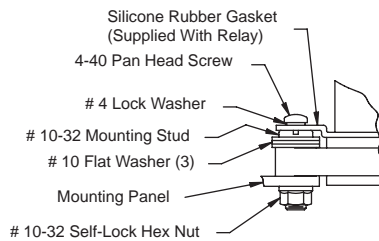
BOTTOM MOUNT



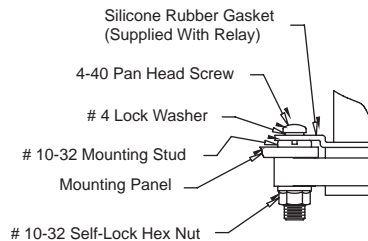
Mounting Instructions

Non-Environmental Solder Termination Relay Sockets

TOP MOUNT



BOTTOM MOUNT



Amphenol Pcd Relay Sockets

JRS/JRE Quick Mount Relay sockets

Amphenol Pcd Quick Mount Relay Sockets

Amphenol Pcd recently introduced the JRS/JRE line Quick-Mount Relay Sockets. These relay sockets snap mount into standard aircraft panel cutouts and eliminate all socket-to-bulkhead mounting hardware, simplifying installation and dramatically reducing weight and installed cost. JRS/JRE line sockets meet the applicable performance and dimensional requirements of MIL-PRF-12883, are compatible with MIL SPEC approved relays from any manufacturer, and can be utilized in existing avionic systems with standard slotted panel cutouts.



JRS 4 Pole
Relay Sockets

JRS 3 Pole
Relay Sockets

JRS 2 Pole
Relay Sockets

JRS 1 Pole
Relay Sockets

JRE 2 Pole
Relay Sockets

JRE 4 Pole
Relay Sockets

Key Features and Benefits

Socket Construction & Installation

JRS/JRE sockets maintain the same MIL mounting configurations and construction (molded polyetherimide bodies and silicone rubber sealing grommets) as Amphenol Pcd's traditional relay sockets. A heel and toe snap-in system allows the socket to be mounted to the panel without hardware and held securely in place. The assembled socket and relay meet all shock and vibration requirements

Lower Installed Cost

Elimination of loose hardware and the time required to assemble individual hardware components to the sockets results in a reduction of over 45% in socket installation time.

No Loose Hardware

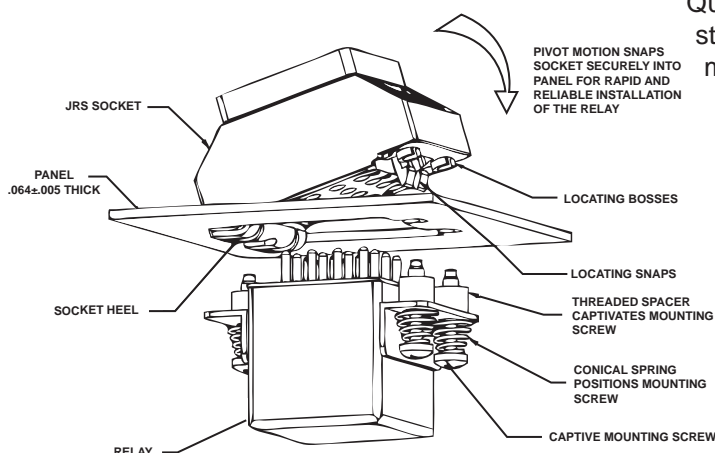
The combination of snap-in relay-to-panel mounting and pre-assembled relay hardware eliminates all loose hardware from the socket and relay mounting and installation process. The logistical and safety issues related with loose hardware are completely avoided.

Relay Installation

JRE/JRS Relay Sockets feature externally threaded mounting screws and spacer assemblies which are pre-assembled to the relay. These mounting screws are captured and aligned by a conical spring, and utilized to fasten the relay to the socket. The screws engage internally threaded bushings captured in the socket and once the relay is secured, the socket snap features are no longer under stress.

Reduced Weight

The elimination of socket mounting hardware and a streamlined polyetherimide body combine to reduce the weight of a Quick-Mount Relay Socket. When compared to Amphenol Pcd standard MIL-PRF-12883 relay sockets provided with traditional mounting hardware, the weight is reduced by 30 to 40%.



Quick Mount Relay Sockets

JRS 1 Pole / 25 Amp / Size 12 & 16

Quick Mount Relay Sockets



Replaces MIL-PRF-12883/55
Mates with M6106 Relays

Operating Range

Temperature:

-65°C to 125°C

Insulation Resistance:

1000 Megaohms Min.

Dielectric Withstanding Voltage:

1500 VRMS at Sea Level

500 VRMS at 80,000 ft.

Vibration:

MIL-STD-202, Method 204

Test Condition G

Shock:

MIL-STD-213, Method 213

Test Condition C

Materials

Socket Body:

Polythermide per ASTM-D5205

Grommet:

Silicone Rubber per A-A-59588

Contact Retainers:

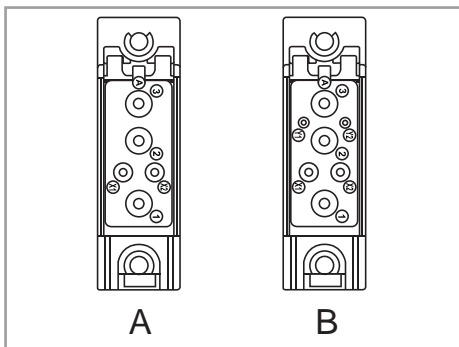
Stainless Steel

Internal Socket Contacts:

Copper Alloy, Hard Gold Finish

per SAE-AMS-2422

Socket Configurations



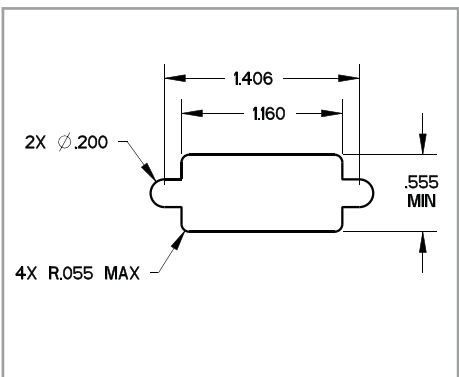
Extended Height Relay Sockets

| APCD P/N | QTY | Size | Contact | Mating Relay | Configuration |
|-----------|-----|-------|---------|--------------------|---------------|
| JRS500100 | 2 | 16/16 | /92-533 | M6106/19, M6106/20 | A |
| | 3 | 12/12 | /92-535 | | |
| JRS500200 | 2 | 16/16 | /92-533 | M6106/19, M6106/20 | B |
| | 3 | 12/12 | /92-535 | | |

Relay Socket Weight

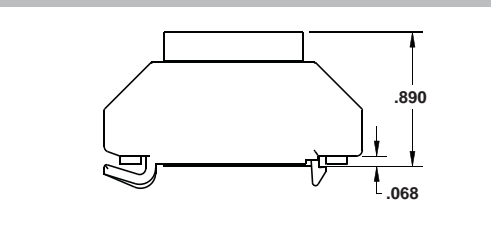
| Relay Socket | Pounds | Grams |
|--------------|--------|-------|
| Low Profile | .042 | 19 |

Required Mounting Panel Cutout

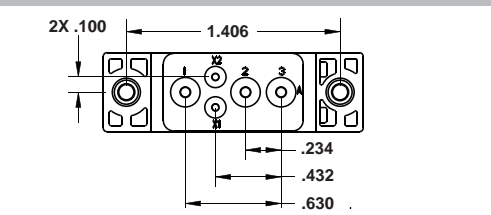


Relay Socket Dimensions

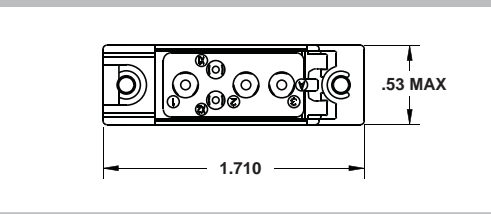
Side View



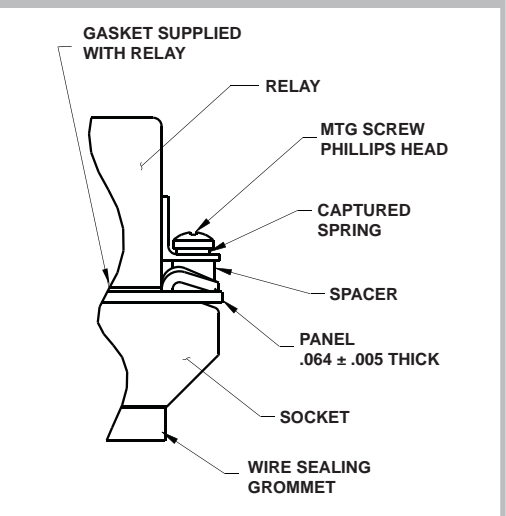
Top View



Bottom View



Mounting Hardware



Part Number Instructions

| APCD P/N | Hardware | Contacts |
|-----------|----------|----------|
| JRS500100 | NONE | NONE |
| JRS500101 | NONE | YES |
| JRS500110 | YES | NONE |
| JRS500111 | YES | YES |

Quick Mount Relay Sockets

JRS 2 Pole / 10 Amp / Size 16

Operating Range

Temperature:

-65°C to 125°C

Insulation Resistance:

1000 Megaohms Min.

Dielectric Withstanding Voltage:

1500 VRMS at Sea Level

500 VRMS at 80,000 ft.

Vibration:

MIL-STD-202, Method 204

Test Condition G

Shock:

MIL-STD-213, Method 213

Test Condition C

Materials

Socket Body:

Polythermide per ASTM-D5205

Grommet:

Silicone Rubber per A-A-59588

Contact Retainers:

Stainless Steel

Internal Socket Contacts:

Copper Alloy, Hard Gold Finish
per SAE-AMS-2422

Quick Mount Relay Sockets

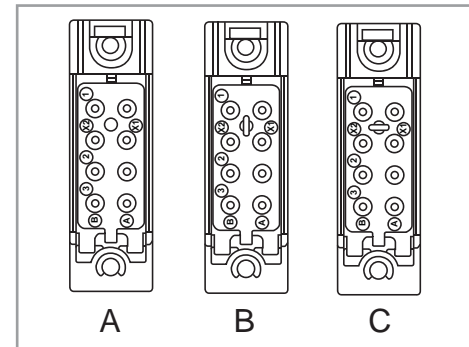


Replaces MIL-PRF-12883/41
Mates with M83536 Relays

Extended Height Relay Sockets

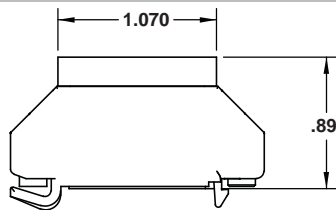
| APCD P/N | QTY | Size ¹ | Contact | Mating Relay | Configuration |
|-----------|-----|-------------------|---------|--------------|---------------|
| JRS200100 | 8 | 16/16 | /92-533 | M83536 | A |
| JRS200200 | 8 | 16/16 | /92-533 | M83536 | B |
| JRS200300 | 8 | 16/16 | /92-533 | M83536 | C |

Socket Configurations

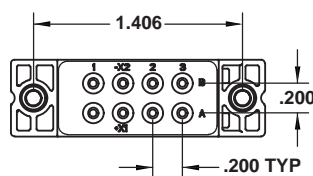


Relay Socket Dimensions

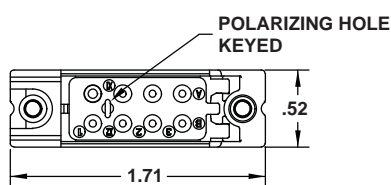
Side View



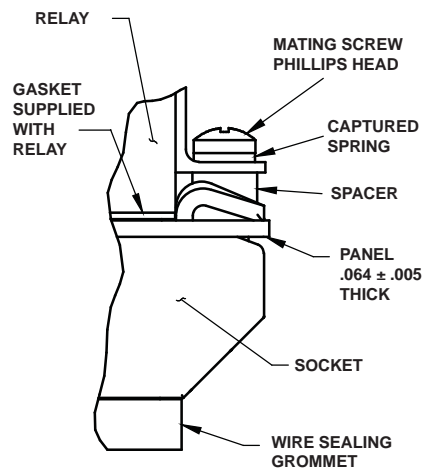
Top View



Bottom View



Mounting Hardware



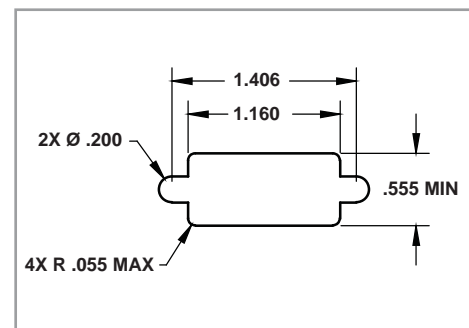
Part Number Instructions

| APCD P/N | Hardware | Contacts |
|-----------|----------|----------|
| JRS200100 | NONE | NONE |
| JRS200101 | NONE | YES |
| JRS200110 | YES | NONE |
| JRS200111 | YES | YES |

Relay Socket Weight

| Relay Socket | Pounds | Grams |
|--------------|--------|-------|
| Low Profile | .042 | 19 |

Required Mounting Panel Cutout



Amphenol Pcd

Quick Mount Relay Sockets



Replaces MIL-PRF-12883/48
Mates with M6106 & MS27743 Relays

Quick Mount Relay Sockets

JRS 3 Pole / 25 Amp / Size 12 & 16

Operating Range

Temperature:

-65°C to 125°C

Insulation Resistance:

1000 Megaohms Min.

Dielectric Withstanding Voltage:

1500 VRMS at Sea Level

500 VRMS at 80,000 ft.

Vibration:

MIL-STD-202, Method 204

Test Condition G

Shock:

MIL-STD-213, Method 213

Test Condition C

Materials

Socket Body:

Polythermide per ASTM-D5205

Grommet:

Silicone Rubber per A-A-59588

Contact Retainers:

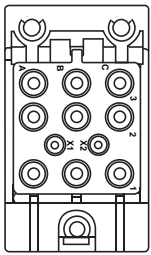
Stainless Steel

Internal Socket Contacts:

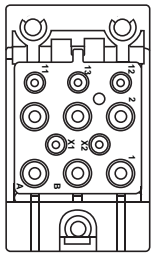
Copper Alloy, Hard Gold Finish

per SAE-AMS-2422

Socket Configurations



A



B

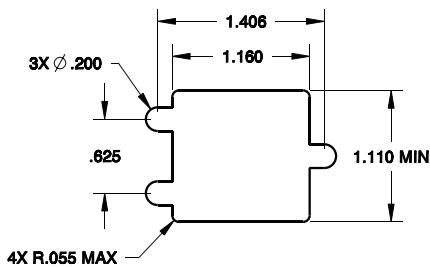
Extended Height Relay Sockets

| APCD P/N | QTY | Size ¹ | Contact | Mating Relay | Configuration |
|-----------|-----|-------------------|---------|-------------------|---------------|
| JRS300100 | 2 | 16/16 | /92-533 | M6106/13, MS27743 | A |
| | 9 | 12/12 | /92-535 | | |
| JRS310100 | 5 | 16/16 | /92-533 | M6106/13, MS27743 | B |
| | 6 | 12/12 | /92-535 | | |

Relay Socket Weight

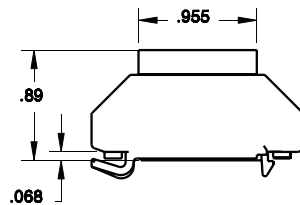
| Relay Socket | Pounds | Grams |
|--------------|--------|-------|
| Low Profile | .075 | 34 |

Required Mounting Panel Cutout

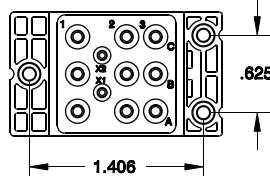


Relay Socket Dimensions

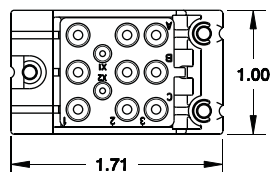
Side View



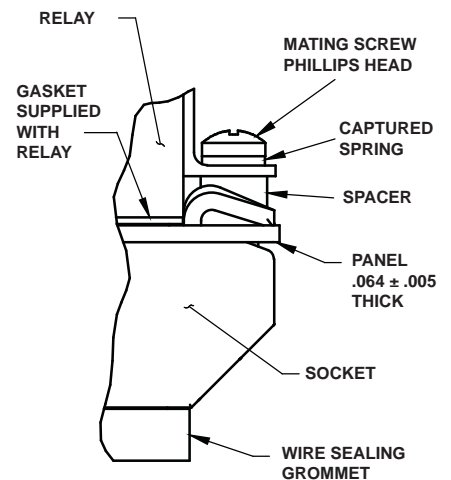
Top View



Bottom View



Mounting Hardware



Part Number Instructions

| APCD P/N | Hardware | Contacts |
|-----------|----------|----------|
| JRS300100 | NONE | NONE |
| JRS300101 | NONE | YES |
| JRS300110 | YES | NONE |
| JRS300111 | YES | YES |

Quick Mount Relay Sockets

JRS 4 Pole / 10 Amp / Size 16

Operating Range

Temperature:

-65°C to 125°C

Insulation Resistance:

1000 Megaohms Min.

Dielectric Withstanding Voltage:

1500 VRMS at Sea Level

500 VRMS at 80,000 ft.

Vibration:

MIL-STD-202, Method 204

Test Condition G

Shock:

MIL-STD-213, Method 213

Test Condition C

Materials

Socket Body:

Polythermide per ASTM-D5205

Grommet:

Silicone Rubber per A-A-59588

Contact Retainers:

Stainless Steel

Internal Socket Contacts:

Copper Alloy, Hard Gold Finish
per SAE-AMS-2422

Quick Mount Relay Sockets

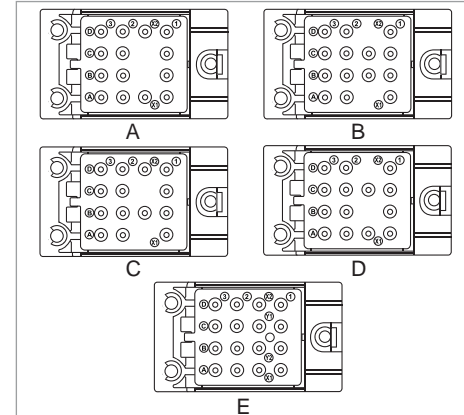


Replaces MIL-PRF-12883/40
Mates with M83536, 83726 & MS27709 Relays

Extended Height Relay Sockets

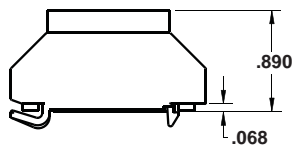
| APCD P/N | QTY | Size ¹ | Contact | Mating Relay | Configuration |
|-----------|-----|-------------------|---------|-------------------------|---------------|
| JRS400100 | 14 | 16/16 | /92-533 | M83536, M83726, MS27709 | A |
| JRS400200 | 14 | 16/16 | /92-533 | M83536, M83726, MS27709 | B |
| JRS400300 | 14 | 16/16 | /92-533 | M83536, M83726, MS27709 | C |
| JRS400400 | 14 | 16/16 | /92-533 | M83536, M83726, MS27709 | D |
| JRS400500 | 16 | 16/16 | /92-533 | M83536, M83726, MS27709 | E |

Socket Configurations

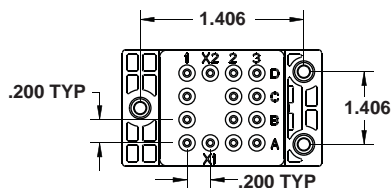


Relay Socket Dimensions

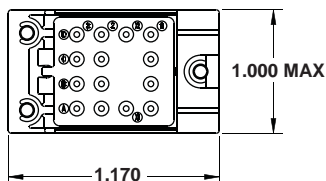
Side View



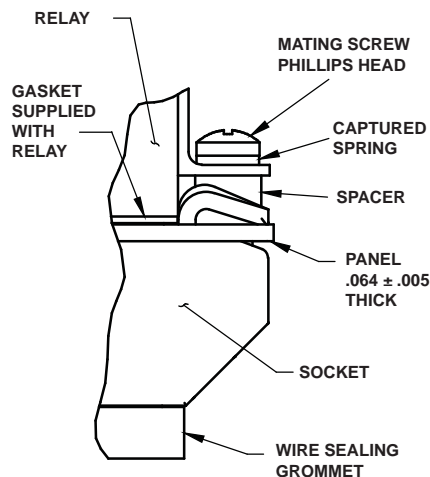
Top View



Bottom View



Mounting Hardware



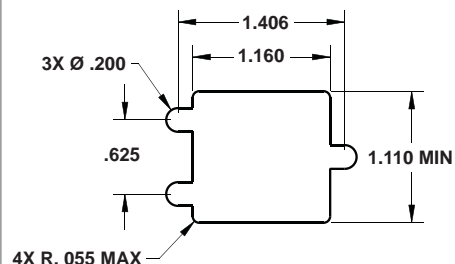
Part Number Instructions

| APCD P/N | Hardware | Contacts |
|-----------|----------|----------|
| JRS400100 | NONE | NONE |
| JRS400101 | NONE | YES |
| JRS400110 | YES | NONE |
| JRS400111 | YES | YES |

Relay Socket Weight

| Relay Socket | Pounds | Grams |
|--------------|--------|-------|
| Low Profile | .068 | 31 |

Required Mounting Panel Cutout



Amphenol Pcd

Quick Mount Relay Sockets

JRE 2 Pole / 5 Amp / Size 20

Quick Mount Relay Sockets



Replaces MIL-PRF-12883/41
Mates with M83536 & M6106 Relays

Operating Range

Temperature:

-65°C to 125°C

Insulation Resistance:

1000 Megaohms Min.

Dielectric Withstanding Voltage:

1000 VRMS at Sea Level

500 VRMS at 80,000 ft.

Vibration:

MIL-STD-202, Method 204

Test Condition G

Shock:

MIL-STD-213, Method 213

Test Condition C

Materials

Socket Body:

Polythermide per ASTM-D5205

Grommet:

Silicone Rubber per A-A-59588

Contact Retainers:

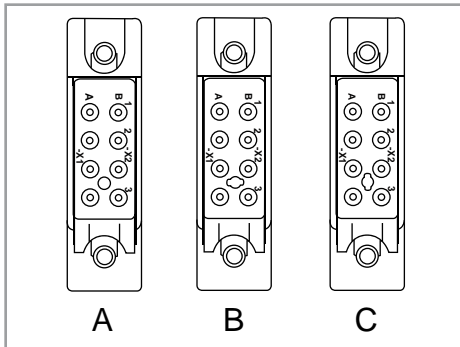
Stainless Steel

Internal Socket Contacts:

Copper Alloy, Hard Gold Finish

per SAE-AMS-2422

Socket Configurations



Extended Height Relay Sockets

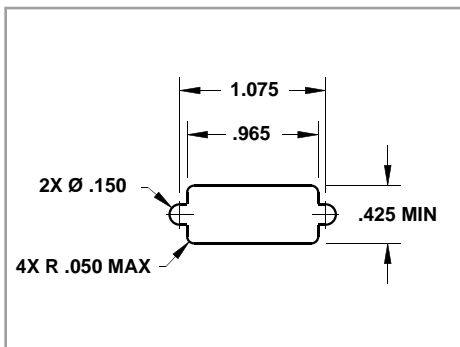
| APCD P/N | QTY | Size | Contact | Mating Relay | Configuration |
|-----------|-----|-------|----------|---------------|---------------|
| JRE200100 | 8 | 20/20 | /101-533 | M83536, M6106 | A |
| JRE200200 | 8 | 20/20 | /101-533 | M83536, M6106 | B |
| JRE200300 | 8 | 20/20 | /101-533 | M83536, M6106 | C |

Applies to all plug-in type relays of these documents

Relay Socket Weight

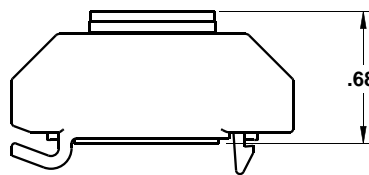
| Relay Socket | Pounds | Grams |
|--------------|--------|-------|
| Low Profile | .042 | 19 |

Recommended Mounting Panel Cutout

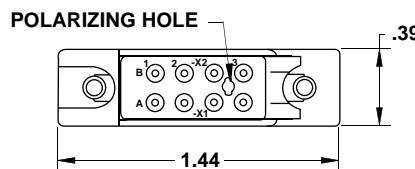


Relay Socket Dimensions

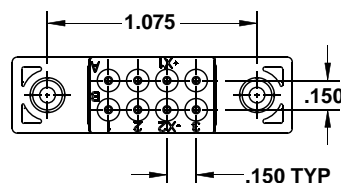
Side View



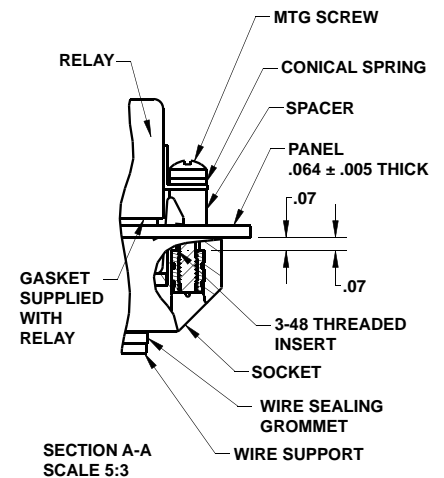
Top View



Bottom View



Mounting Hardware



Part Number Instructions

| APCD P/N | Hardware | Contacts |
|-----------|----------|----------|
| JRE200100 | NONE | NONE |
| JRE200101 | NONE | YES |
| JRE200110 | YES | NONE |
| JRE200111 | YES | YES |

Quick Mount Relay Sockets

JRE 4 Pole / 5 Amp / Size 20

Operating Range

Temperature:

-65°C to 125°C

Insulation Resistance:

1000 Megaohms Min.

Dielectric Withstanding Voltage:

1000 VRMS at Sea Level

500 VRMS at 80,000 ft.

Vibration:

MIL-STD-202, Method 204

Test Condition G

Shock:

MIL-STD-213, Method 213

Test Condition C

Materials

Socket Body:

Polythermide per ASTM-D5205

Grommet:

Silicone Rubber per A-A-59588

Contact Retainers:

Stainless Steel

Internal Socket Contacts:

Copper Alloy, Hard Gold Finish
per SAE-AMS-2422

Quick Mount Relay Sockets

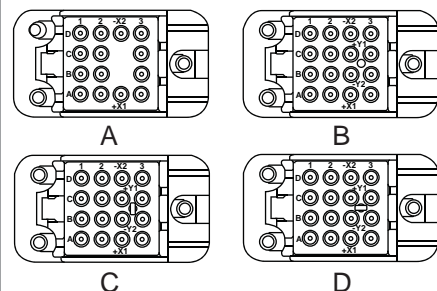


Replaces MIL-PRF-12883/44
Mates with M83536 Relays

Extended Height Relay Sockets

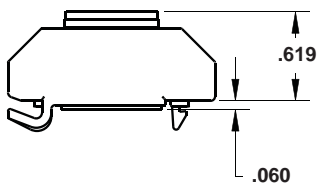
| APCD P/N | QTY | Size | Contact | Mating Relay | Configuration |
|-----------|-----|-------|----------|------------------------------|---------------|
| JRE400100 | 10 | 20/20 | /101-533 | M83536/5, M83536/6, M83536/7 | A |
| JRE400200 | 12 | 20/20 | /101-533 | M83536/5, M83536/6, M83536/7 | B |
| JRE400300 | 12 | 20/20 | /101-533 | M83536/5, M83536/6, M83536/7 | C |
| JRE400400 | 12 | 20/20 | /101-533 | M83536/5, M83536/6, M83536/7 | D |

Socket Configurations

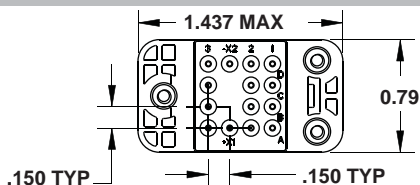


Relay Socket Dimensions

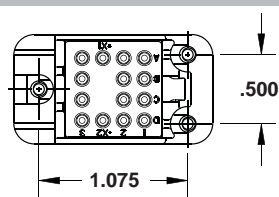
Side View



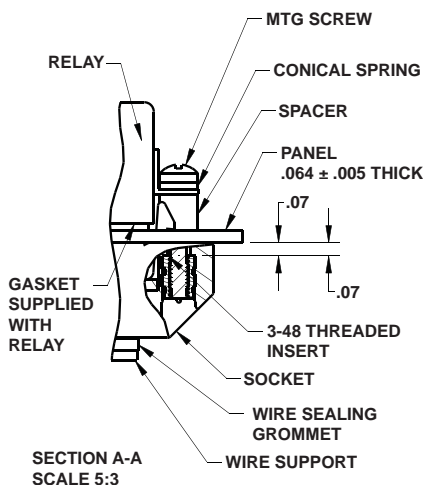
Top View



Bottom View



Mounting Hardware



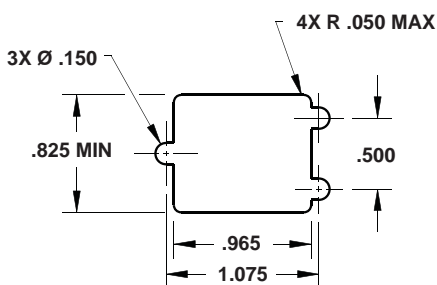
Part Number Instructions

| APCD P/N | Hardware | Contacts |
|-----------|----------|----------|
| JRE400100 | NONE | NONE |
| JRE400101 | NONE | YES |
| JRE400110 | YES | NONE |
| JRE400111 | YES | YES |

Relay Socket Weight

| Relay Socket | Pounds | Grams |
|--------------|--------|-------|
| Low Profile | .068 | 31 |

Required Mounting Panel Cutout



Amphenol Pcd



Компания «ЭлектроПласт» предлагает заключение долгосрочных отношений при поставках импортных электронных компонентов на взаимовыгодных условиях!

Наши преимущества:

- Оперативные поставки широкого спектра электронных компонентов отечественного и импортного производства напрямую от производителей и с крупнейших мировых складов;
- Поставка более 17-ти миллионов наименований электронных компонентов;
- Поставка сложных, дефицитных, либо снятых с производства позиций;
- Оперативные сроки поставки под заказ (от 5 рабочих дней);
- Экспресс доставка в любую точку России;
- Техническая поддержка проекта, помощь в подборе аналогов, поставка прототипов;
- Система менеджмента качества сертифицирована по Международному стандарту ISO 9001;
- Лицензия ФСБ на осуществление работ с использованием сведений, составляющих государственную тайну;
- Поставка специализированных компонентов (Xilinx, Altera, Analog Devices, Intersil, Interpoint, Microsemi, Aeroflex, Peregrine, Syfer, Eurofarad, Texas Instrument, Miteq, Cobham, E2V, MA-COM, Hittite, Mini-Circuits, General Dynamics и др.);

Помимо этого, одним из направлений компании «ЭлектроПласт» является направление «Источники питания». Мы предлагаем Вам помощь Конструкторского отдела:

- Подбор оптимального решения, техническое обоснование при выборе компонента;
- Подбор аналогов;
- Консультации по применению компонента;
- Поставка образцов и прототипов;
- Техническая поддержка проекта;
- Защита от снятия компонента с производства.



Как с нами связаться

Телефон: 8 (812) 309 58 32 (многоканальный)

Факс: 8 (812) 320-02-42

Электронная почта: org@eplast1.ru

Адрес: 198099, г. Санкт-Петербург, ул. Калинина, дом 2, корпус 4, литера А.