

Features

- Serial Peripheral Interface (SPI) Compatible
- Supports SPI Modes 0 (0,0) and 3 (1,1)
 - Data Sheet Describes Mode 0 Operation
- Low-voltage and Standard-voltage Operation
 - $V_{CC} = 1.8V$ to 5.5V
- 20MHz Clock Rate (5V)
- 8-byte Page Mode
- Block Write Protection
 - Protect 1/4, 1/2, or Entire Array
- Write Protect (\overline{WP}) Pin and Write Disable Instructions for Both Hardware and Software Data Protection
- Self-timed Write Cycle (5ms max)
- High Reliability
 - Endurance: 1,000,000 Write Cycles
 - Data Retention: 100 Years
- Green (Pb/Halogen-free/RoHS Compliant) Packaging Options
- Die Sales: Wafer Form, Waffle Pack, and Bumped Wafers

Description

The Atmel® AT25010B/020B/040B provides 1,024/2,048/4,096 bits of Serial Electrically Erasable Programmable Read-Only Memory (EEPROM) organized as 128/256/512 words of 8 bits each. The device is optimized for use in many industrial and commercial applications where low-power and low-voltage operation are essential. The AT25010B/020B/040B is available in space saving, JEDEC SOIC, UDFN, TSSOP, XDFN, and VFBGA packages.

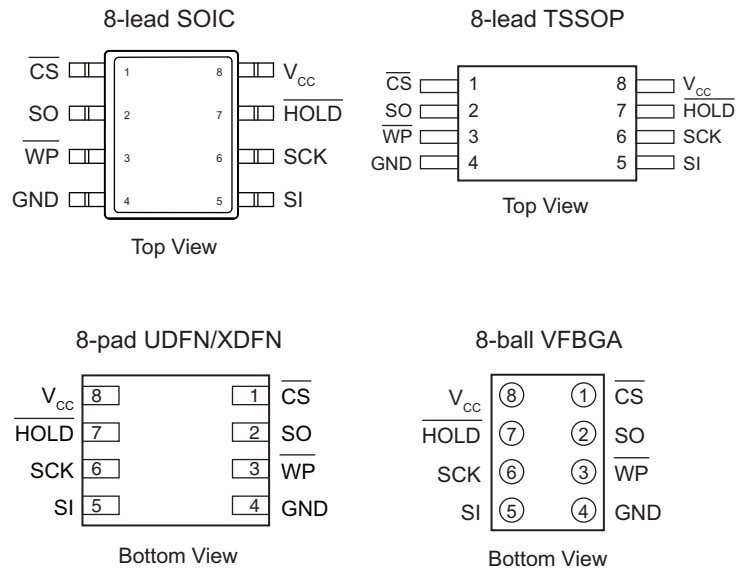
The AT25010B/020B/040B is enabled through the Chip Select pin (\overline{CS}) and accessed via a 3-Wire interface consisting of Serial Data Input (SI), Serial Data Output (SO), and Serial Clock (SCK). All programming cycles are completely self-timed, and no separate erase cycle is required before write.

Block Write protection is enabled by programming the status register with one of four blocks of Write Protection. Separate Program Enable and Program Disable instructions are provided for additional data protection. Hardware Data Protection is provided via the \overline{WP} pin to protect against inadvertent write attempts. The \overline{HOLD} pin may be used to suspend any serial communication without resetting the serial sequence.

1. Pin Configurations

Table 1-1. Pin Configurations

Pin Name	Function
$\overline{\text{CS}}$	Chip Select
SCK	Serial Data Clock
SI	Serial Data Input
SO	Serial Data Output
GND	Ground
V_{CC}	Power Supply
$\overline{\text{WP}}$	Write Protect
$\overline{\text{HOLD}}$	Suspends Serial Input



Note: Drawings are not to scale.

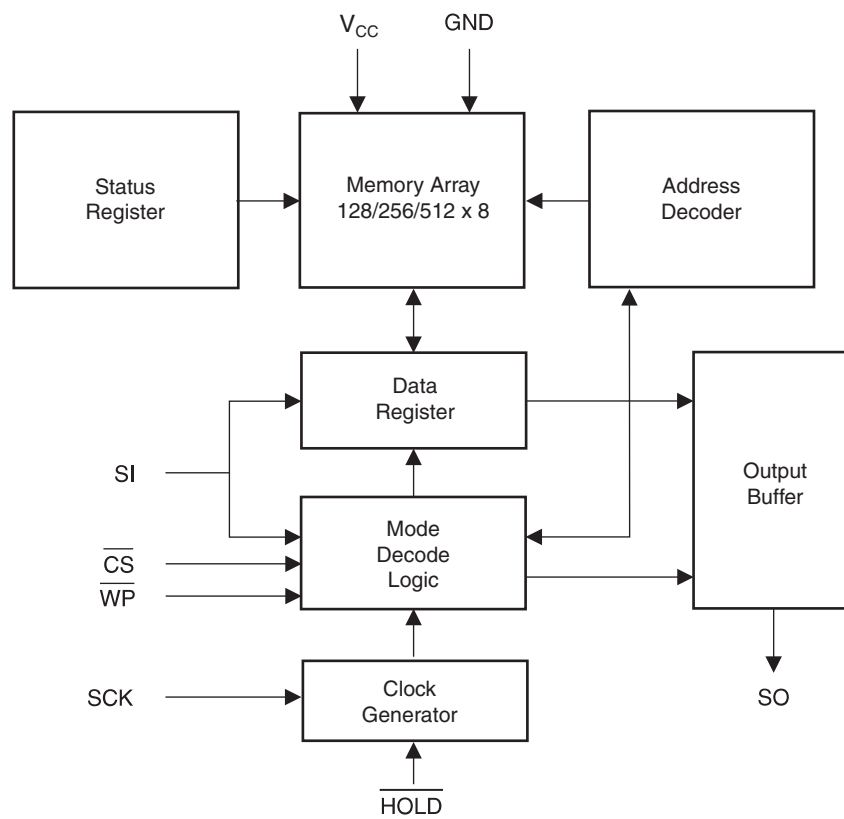
2. Absolute Maximum Ratings*

Operating Temperature -40°C to + 125°C
 Storage Temperature -65°C to + 150°C
 Voltage on any pin
 with respect to ground -1V to + 7V
 Maximum Operating Voltage 6.25V
 DC Output Current 5mA

*Notice: Stresses beyond those listed under “Absolute Maximum Ratings” may cause permanent damage to the device. This is a stress rating only and functional operation of the device at these or any other conditions beyond those indicated in the operational sections of this specification is not implied. Exposure to absolute maximum rating conditions for extended periods may affect device reliability.

3. Block Diagram

Figure 3-1. Block Diagram



4. Electrical Characteristics

4.1 Pin Capacitance

Table 4-1. Pin Capacitance⁽¹⁾

Applicable over recommended operating range from $T_A = 25^\circ\text{C}$, $f = 1\text{MHz}$, $V_{CC} = +5\text{V}$ (unless otherwise noted).

Symbol	Test Conditions	Max	Units	Conditions
C_{OUT}	Output Capacitance (SO)	8	pF	$V_{OUT} = 0\text{V}$
C_{IN}	Input Capacitance (\overline{CS} , SCK, SI, \overline{WP} , HOLD)	6	pF	$V_{IN} = 0\text{V}$

Note: 1. This parameter is characterized and is not 100% tested.

4.2 DC Characteristics

Table 4-2. DC Characteristics

Applicable over recommended operating range from: $T_{AI} = -40^\circ\text{C}$ to $+85^\circ\text{C}$, $V_{CC} = +1.8\text{V}$ to $+5.5\text{V}$, (unless otherwise noted).

Symbol	Parameter	Test Condition	Min	Typ	Max	Units
V_{CC1}	Supply Voltage		1.8		5.5	V
V_{CC2}	Supply Voltage		2.5		5.5	V
V_{CC3}	Supply Voltage		4.5		5.5	V
I_{CC1}	Supply Current	$V_{CC} = 5\text{V}$ at 20MHz SO = Open, Read		8.5	10	mA
I_{CC2}	Supply Current	$V_{CC} = 5\text{V}$ at 10MHz SO = Open, Read, Write		4.5	5	mA
I_{CC3}	Supply Current	$V_{CC} = 5\text{V}$ at 1MHz SO = Open, Read, Write		2	3	mA
I_{SB1}	Standby Current	$V_{CC} = 1.8\text{V}$, $\overline{CS} = V_{CC}$		0.1	0.5	μA
I_{SB2}	Standby Current	$V_{CC} = 2.5\text{V}$, $\overline{CS} = V_{CC}$		0.2	1	μA
I_{SB3}	Standby Current	$V_{CC} = 5\text{V}$, $\overline{CS} = V_{CC}$		2	3.5	μA
I_{IL}	Input Leakage	$V_{IN} = 0\text{V}$ to V_{CC}	-3			μA
I_{OL}	Output Leakage	$V_{IN} = 0\text{V}$ to V_{CC} $T_{AC} = 0^\circ\text{C}$ to 70°C	-3		3	μA
$V_{IL}^{(1)}$	Input Low-voltage		-0.6		$V_{CC} \times 0.3$	V
$V_{IH}^{(1)}$	Input High-voltage		$V_{CC} \times 0.7$		$V_{CC} + 0.5$	V
V_{OL1}	Output Low-voltage	$3.6\text{V} \leq V_{CC} \leq 5.5\text{V}$ $I_{OL} = 3\text{mA}$			0.4	V
V_{OH1}	Output High-voltage	$3.6\text{V} \leq V_{CC} \leq 5.5\text{V}$ $I_{OH} = -1.60\text{mA}$	$V_{CC} - 0.8$			V
V_{OL2}	Output Low-voltage	$1.8\text{V} \leq V_{CC} \leq 3.6\text{V}$ $I_{OL} = 0.15\text{mA}$			0.2	V
V_{OH2}	Output High-voltage	$1.8\text{V} \leq V_{CC} \leq 3.6\text{V}$ $I_{OH} = -100\mu\text{A}$	$V_{CC} - 0.2$			V

Note: 1. V_{IL} min and V_{IH} max are reference only and are not tested.

4.3 AC Characteristics

Table 4-3. AC Characteristics

Applicable over recommended operating range from $T_{AI} = -40$ to $+85^{\circ}\text{C}$, $V_{CC} = \text{As Specified}$, $CL = 1$ TTL Gate and 30pF (unless otherwise noted).

Symbol	Parameter	Voltage	Min	Max	Units
f_{SCK}	SCK Clock Frequency	4.5 – 5.5	0	20	MHz
		2.5 – 5.5	0	10	
		1.8 – 5.5	0	5	
t_{RI}	Input Rise Time	4.5 – 5.5		2	μs
		2.5 – 5.5		2	
		1.8 – 5.5		2	
t_{FI}	Input Fall Time	4.5 – 5.5		2	μs
		2.5 – 5.5		2	
		1.8 – 5.5		2	
t_{WH}	SCK High Time	4.5 – 5.5	20		ns
		2.5 – 5.5	40		
		1.8 – 5.5	80		
t_{WL}	SCK Low Time	4.5 – 5.5	20		ns
		2.5 – 5.5	40		
		1.8 – 5.5	80		
t_{CS}	\overline{CS} High Time	4.5 – 5.5	100		ns
		2.5 – 5.5	100		
		1.8 – 5.5	200		
t_{CSS}	\overline{CS} Setup Time	4.5 – 5.5	100		ns
		2.5 – 5.5	100		
		1.8 – 5.5	200		
t_{CSH}	\overline{CS} Hold Time	4.5 – 5.5	100		ns
		2.5 – 5.5	100		
		1.8 – 5.5	200		
t_{SU}	Data In Setup Time	4.5 – 5.5	20		ns
		2.5 – 5.5	40		
		1.8 – 5.5	80		
t_H	Data In Hold Time	4.5 – 5.5	20		ns
		2.5 – 5.5	40		
		1.8 – 5.5	80		
t_{HD}	$\overline{\text{Hold}}$ Setup Time	4.5 – 5.5	20		ns
		2.5 – 5.5	40		
		1.8 – 5.5	80		
t_{CD}	$\overline{\text{Hold}}$ Hold Time	4.5 – 5.5	20		ns
		2.5 – 5.5	40		
		1.8 – 5.5	80		
t_V	Output Valid	4.5 – 5.5	0	20	ns
		2.5 – 5.5	0	40	
		1.8 – 5.5	0	80	
t_{HO}	Output Hold Time	4.5 – 5.5	0		ns
		2.5 – 5.5	0		
		1.8 – 5.5	0		

Table 4-3. AC Characteristics (Continued)

Applicable over recommended operating range from $T_{AI} = -40$ to $+85^{\circ}\text{C}$, $V_{CC} = \text{As Specified}$, $CL = 1$ TTL Gate and 30pF (unless otherwise noted).

Symbol	Parameter	Voltage	Min	Max	Units
t_{LZ}	$\overline{\text{Hold}}$ to Output Low Z	4.5 – 5.5	0	25	ns
		2.5 – 5.5	0	50	
		1.8 – 5.5	0	100	
t_{HZ}	$\overline{\text{Hold}}$ to Output High Z	4.5 – 5.5		25	ns
		2.5 – 5.5		50	
		1.8 – 5.5		100	
t_{DIS}	Output Disable Time	4.5 – 5.5		25	ns
		2.5 – 5.5		50	
		1.8 – 5.5		100	
t_{WC}	Write Cycle Time	4.5 – 5.5		5	ms
		2.5 – 5.5		5	
		1.8 – 5.5		5	
Endurance ⁽¹⁾	5V, 25°C , Page Mode		1,000,000		Write Cycles

Note: 1. This parameter is characterized and is not 100% tested.

5. Serial Interface Description

Master: The device that generates the serial clock.

Slave: Because the Serial Clock pin (SCK) is always an input, the AT25010B/020B/040B always operates as a slave.

Transmitter/Receiver: The AT25010B/020B/040B has separate pins designated for data transmission (SO) and reception (SI).

MSB: The Most Significant Bit (MSB) is the first bit transmitted and received.

Serial Opcode: After the device is selected with $\overline{\text{CS}}$ going low, the first byte will be received. This byte contains the opcode which defines the operations to be performed. The opcode also contains address bit A8 in both the read and write instructions for the AT25040B.

Invalid Opcode: If an invalid opcode is received, no data will be shifted into the AT25010B/020B/040B, and the serial output pin (SO) will remain in a high-impedance state until the falling edge of $\overline{\text{CS}}$ is detected again. This will reinitialize the serial communication.

Chip Select: The AT25010B/020B/040B is selected when the $\overline{\text{CS}}$ pin is low. When the device is not selected, data will not be accepted via the SI pin, and the SO pin will remain in a high impedance state.

Hold: The $\overline{\text{HOLD}}$ pin is used in conjunction with the $\overline{\text{CS}}$ pin to select the AT25010B/020B/040B. When the device is selected and a serial sequence is underway, $\overline{\text{HOLD}}$ can be used to pause the serial communication with the master device without resetting the serial sequence. To pause, the $\overline{\text{HOLD}}$ pin must be brought low while the SCK pin is low. To resume serial communication, the $\overline{\text{HOLD}}$ pin is brought high while the SCK pin is low (SCK may still toggle during $\overline{\text{HOLD}}$). Inputs to the SI pin will be ignored while the SO pin is in the high impedance state.

Write Protect: The write protect pin ($\overline{\text{WP}}$) will allow normal read/write operations when held high. When the $\overline{\text{WP}}$ pin is brought low, all write operations are inhibited.

$\overline{\text{WP}}$ going low while $\overline{\text{CS}}$ is still low will interrupt a write to the AT25010B/020B/040B. If the internal write cycle has already been initiated, $\overline{\text{WP}}$ going low will have no effect on any write operation.

Figure 5-1. SPI Serial Interface



6. Functional Description

The AT25010B/020B/040B is designed to interface directly with the synchronous Serial Peripheral Interface (SPI) of the 6805 and 68HC11 series of microcontrollers.

The AT25010B/020B/040B utilizes an 8-bit instruction register. The list of instructions and their operation codes are contained in [Figure 6-1](#). All instructions, addresses, and data are transferred with the MSB first and start with a high-to-low \overline{CS} transition.

Table 6-1. Instruction Set for the AT25010B/020B/040B

Instruction Name	Instruction Format	Operation
WREN	0000 X110	Set Write Enable Latch
WRDI	0000 X100	Reset Write Enable Latch
RDSR	0000 X101	Read Status Register
WRSR	0000 X001	Write Status Register
READ	0000 A011	Read Data from Memory Array
WRITE	0000 A010	Write Data to Memory Array

Note: 1. "A" represents MSB address bit A8 for the AT25040B.

Write Enable (WREN): The device will power-up in the Write Disable state when V_{CC} is applied. All programming instructions must therefore be preceded by a Write Enable instruction. The \overline{WP} pin must be held high during a WREN instruction.

Write Disable (WRDI): To protect the device against inadvertent writes, the Write Disable instruction disables all programming modes. The WRDI instruction is independent of the status of the \overline{WP} pin.

Read Status Register (RDSR): The Read Status Register instruction provides access to the status register. The Read/Busy and Write Enable status of the device can be determined by the RDSR instruction. Similarly, the Block Write Protection bits indicate the extent of protection employed. These bits are set by using the WRSR instruction.

Table 6-2. Status Register Format

Bit 7	Bit 6	Bit 5	Bit 4	Bit 3	Bit 2	Bit 1	Bit 0
X	X	X	X	BP1	BP0	WEN	\overline{RDY}

Table 6-3. Read Status Register Bit Definition

Bit	Definition
Bit 0 (\overline{RDY})	Bit 0 = 0 (\overline{RDY}) indicates the device is ready. Bit 0 = 1 indicates the write cycle is in progress.
Bit 1 (WEN)	Bit 1 = 0 indicates the device <i>is not</i> write enabled. Bit 1 = 1 indicates the device is write enabled.
Bit 2 (BP0)	See Table 6-4 .
Bit 3 (BP1)	See Table 6-4 .
Bits 4 – 7 are zeros when device is not in an internal write cycle.	
Bits 0 – 7 are ones during an internal write cycle.	

Write Status Register (WRSR): The WRSR instruction allows the user to select one of four levels of protection. The AT25010B/020B/040B is divided into four array segments. None, one-quarter ($\frac{1}{4}$), one-half ($\frac{1}{2}$), or all of the memory segments can be protected. Any of the data within any selected segment will therefore be read-only. The block write protection levels and corresponding status register control bits are shown in [Table 6-4](#).

Bits BP1 and BP0 are nonvolatile cells that have the same properties and functions as the regular memory cells (e.g., WREN, t_{WC} , RDSR).

Table 6-4. Block Write Protect Bits

Level	Status Register Bits		Array Addresses Protected		
	BP1	BP0	AT25010B	AT25020B	AT25040B
0	0	0	None	None	None
1 ($\frac{1}{4}$)	0	1	60 – 7F	C0 – FF	180 – 1FF
2 ($\frac{1}{2}$)	1	0	40 – 7F	80 – FF	100 – 1FF
3 (All)	1	1	00 – 7F	00 – FF	000 – 1FF

Read Sequence (READ): Reading the AT25010B/020B/040B via the SO pin requires the following sequence. After the \overline{CS} line is pulled low to select a device, the Read opcode (including A8 for the AT25040B) is transmitted via the SI line followed by the byte address to be read (A7 – A0). Upon completion, any data on the SI line will be ignored. The data (D7 – D0) at the specified address is then shifted out onto the SO line. If only one byte is to be read, the \overline{CS} line should be driven high after the data comes out. The Read Sequence can be continued since the byte address is automatically incremented and data will continue to be shifted out. When the highest address is reached, the address counter will roll-over to the lowest address allowing the entire memory to be read in one continuous read cycle.

Write Sequence (WRITE): In order to program the AT25010B/020B/040B, the Write Protect pin (\overline{WP}) must be held high and two separate instructions must be executed. First, the device *must be write enabled* via the WREN instruction. Then a Write (WRITE) instruction may be executed. Also, the address of the memory location(s) to be programmed must be outside the protected address field location selected by the Block Write Protection level. During an internal write cycle, all commands will be ignored except the RDSR instruction.

A Write instruction requires the following sequence. After the \overline{CS} line is pulled low to select the device, the Write opcode (including A8 for the AT25040B) is transmitted via the SI line followed by the byte address (A7 – A0) and the data (D7 – D0) to be programmed. Programming will start after the \overline{CS} pin is brought high. The low-to-high transition of the \overline{CS} pin must occur during the SCK low time immediately after clocking in the D0 (LSB) data bit.

The Ready/Busy status of the device can be determined by initiating a Read Status Register (RDSR) instruction. If Bit 0 = 1, the write cycle is still in progress. If Bit 0 = 0, the write cycle has ended. Only the RDSR instruction is enabled during the write programming cycle.

The AT25010B/020B/040B is capable of an 8-byte Page Write operation. After each byte of data is received, the three low-order address bits are internally incremented by one; the six high-order bits of the address will remain constant. If more than eight bytes of data are transmitted, the address counter will roll-over and the previously written data will be overwritten. The AT25010B/020B/040B is automatically returned to the Write Disable state at the completion of a write cycle.

Note: If the \overline{WP} pin is brought low or if the device is not Write Enabled (WREN), the device will ignore the Write instruction and will return to the standby state, when \overline{CS} is brought high. A new CS falling edge is required to reinitiate the serial communication.

7. Timing Diagrams

Figure 7-1. Synchronous Data Timing (for Mode 0)

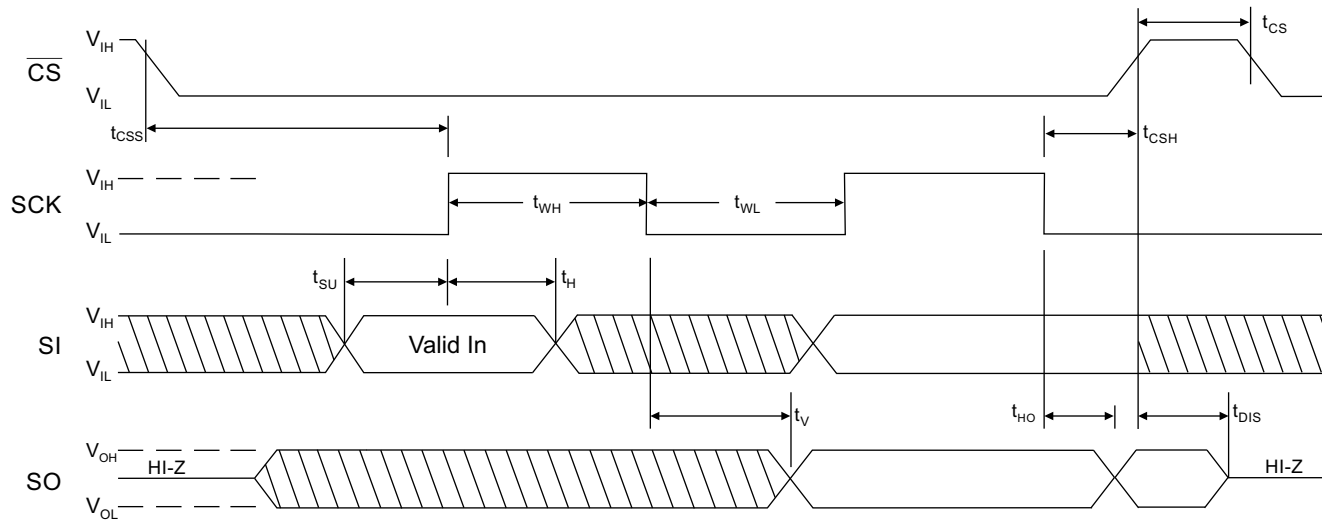


Figure 7-2. WREN Timing

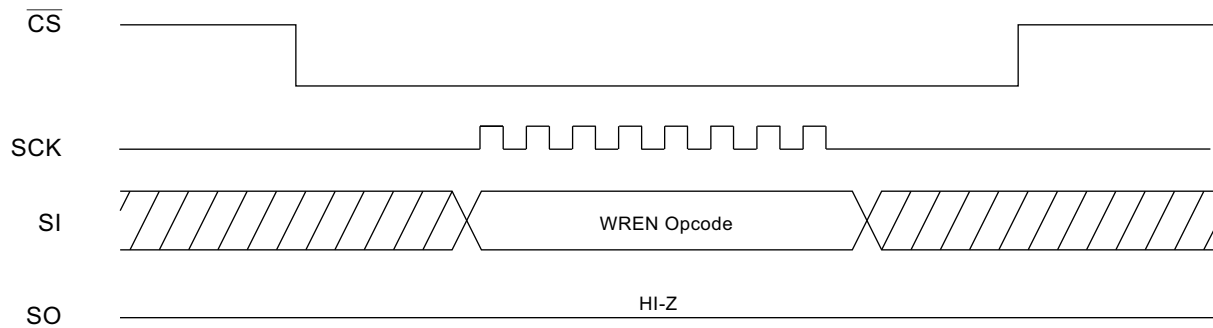


Figure 7-3. WRDI Timing

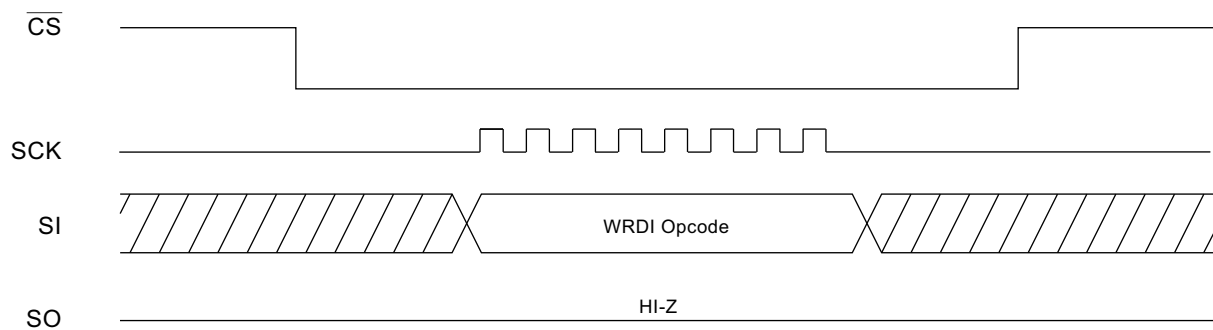


Figure 7-4. RDSR Timing



Figure 7-5. WRSR Timing

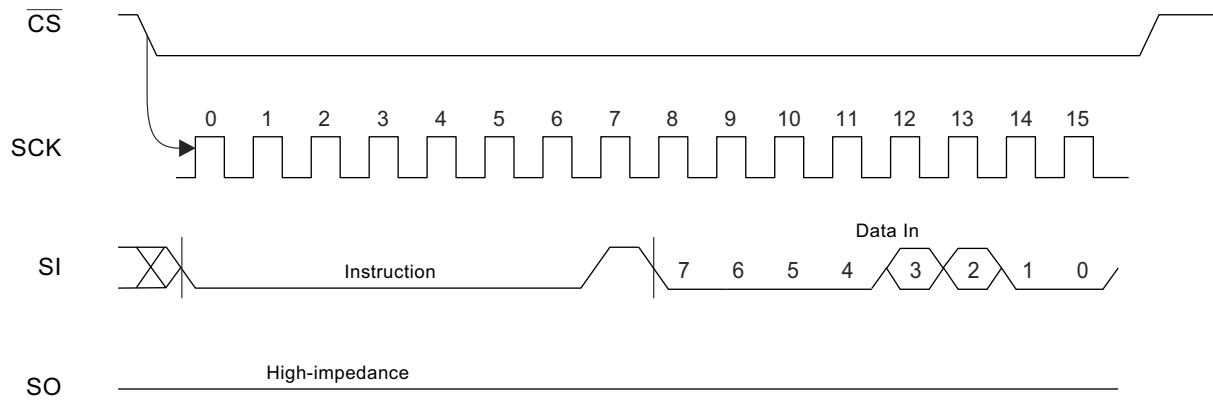


Figure 7-6. READ Timing

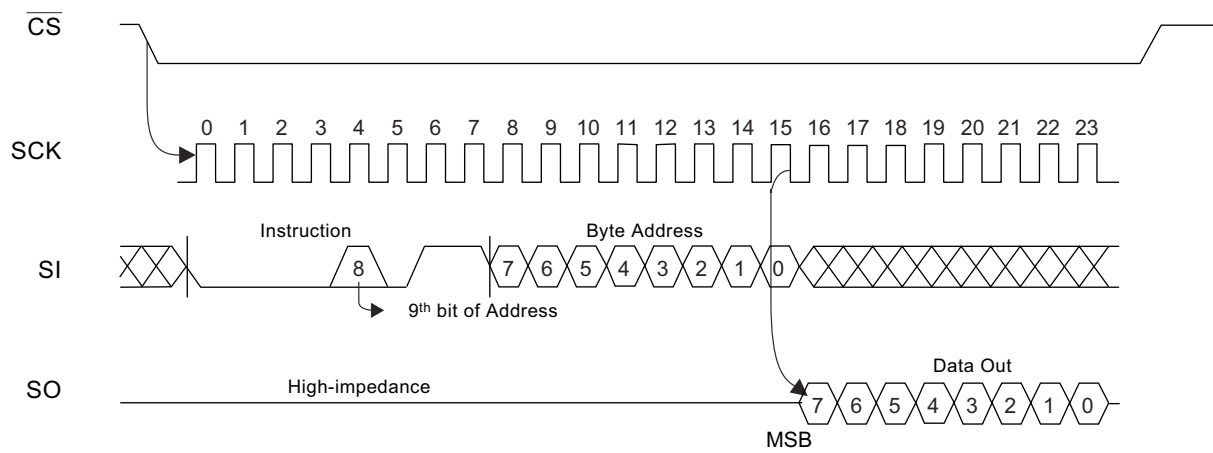


Figure 7-7. WRITE Timing

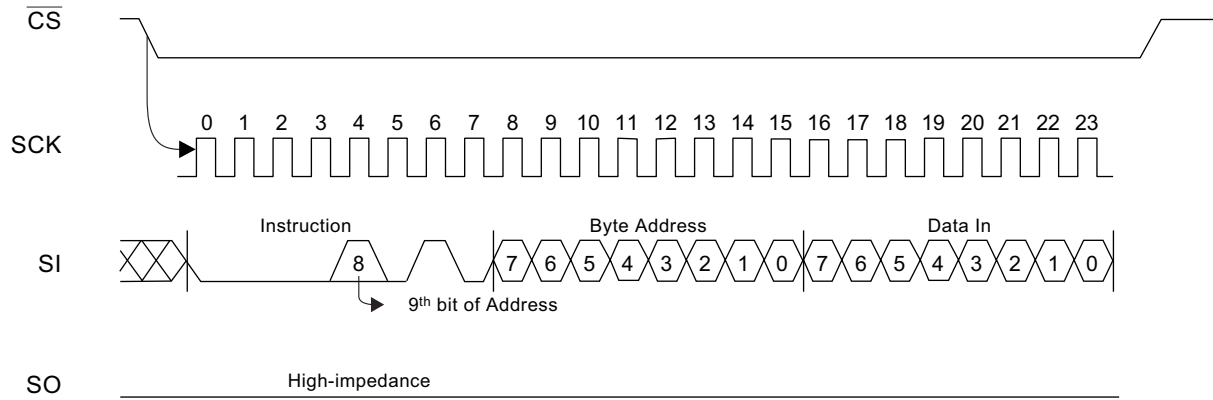
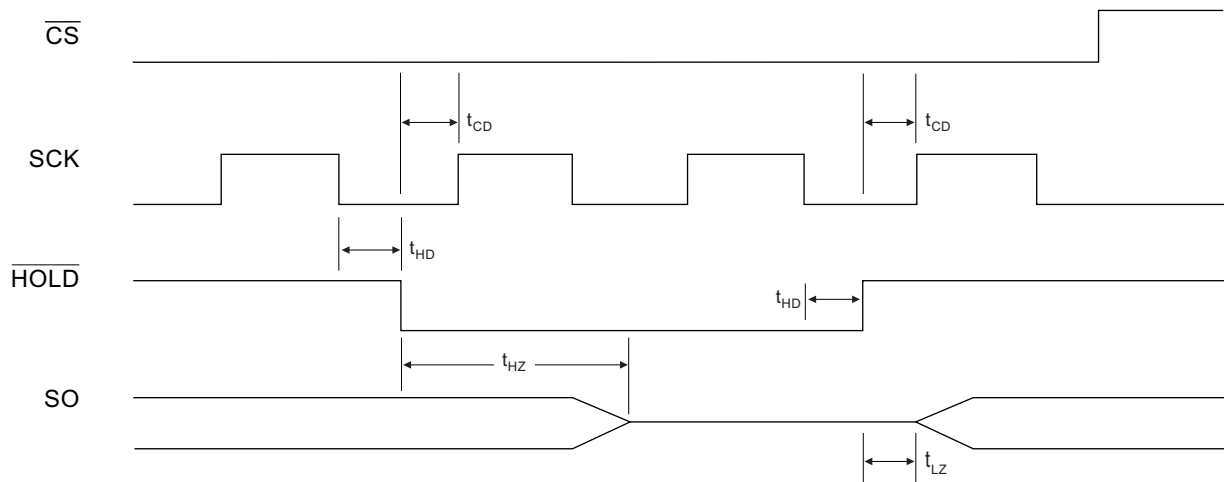
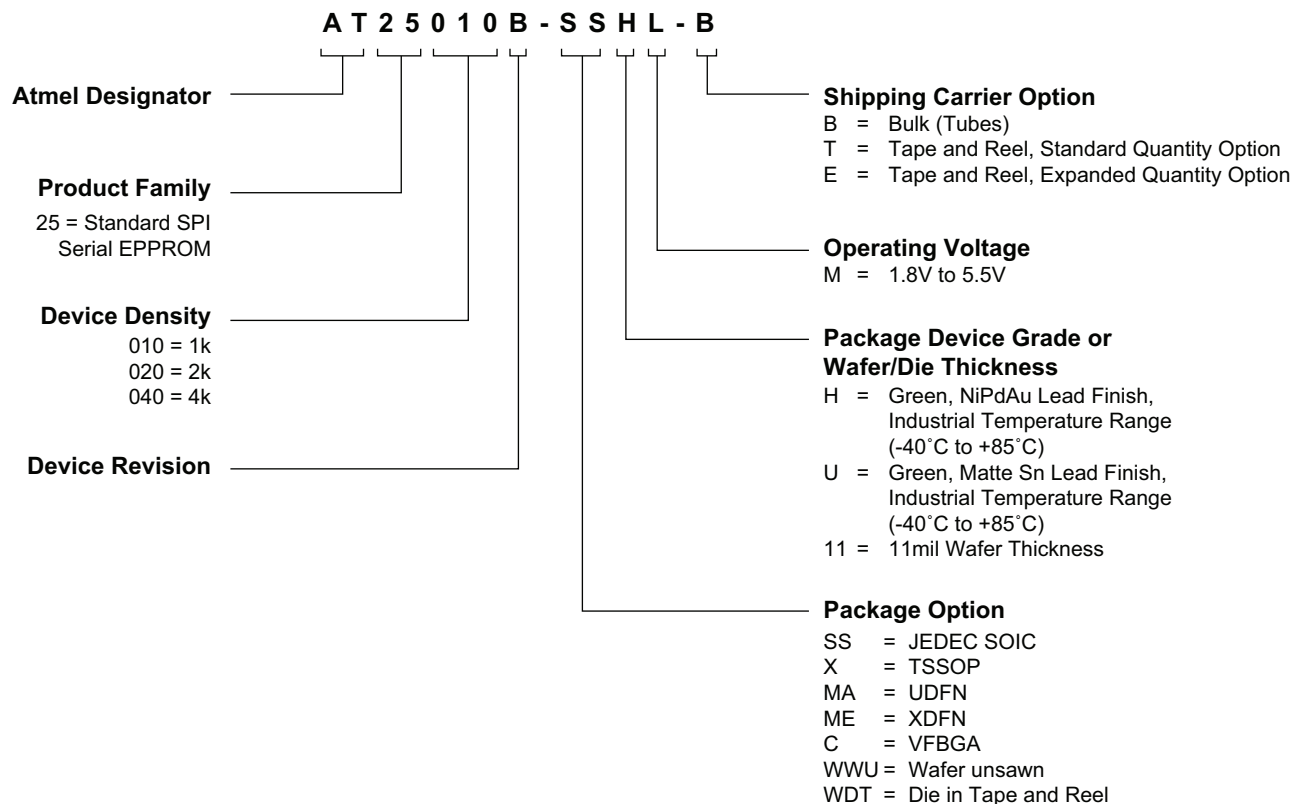


Figure 7-8. HOLD Timing

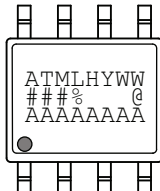
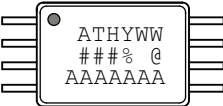
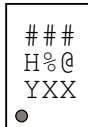
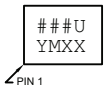
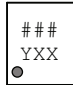


8. Ordering Code Detail



9. Part Markings

AT25010B, AT25020B and AT25040B: Package Marking Information


<p>8-lead SOIC</p> 	<p>8-lead TSSOP</p> 	<p>8-pad UDFN</p> <p>2.0 x 3.0 mm Body</p> 
<p>8-ball VFBGA</p> <p>1.5 x 2.0 mm Body</p> 	<p>8-pad XDFN</p> <p>1.8 x 2.2 mm Body</p> 	

Note 1: ● designates pin 1

Note 2: Package drawings are not to scale

Catalog Number Truncation			
AT25010B		Truncation Code ###: 51B	
AT25020B		Truncation Code ###: 52B	
AT25040B		Truncation Code ###: 54B	
Date Codes			Voltages
Y = Year	M = Month	WW = Work Week of Assembly	% = Minimum Voltage
4: 2014 8: 2018	A: January	02: Week 2	L: 1.8V min
5: 2015 9: 2019	B: February	04: Week 4	
6: 2016 0: 2020	
7: 2017 1: 2021	L: December	52: Week 52	
Country of Assembly		Lot Number	Grade/Lead Finish Material
@ = Country of Assembly		AAA...A = Atmel Wafer Lot Number	H: Industrial/NiPdAu U: Industrial/Matte Tin/SnAgCu
Trace Code			Atmel Truncation
XX = Trace Code (Atmel Lot Numbers Correspond to Code) Example: AA, AB.... YZ, ZZ			AT: Atmel ATM: Atmel ATML: Atmel

1/15/14

 Package Mark Contact: DL-CSO-Assy_eng@atmel.com	TITLE 25010-02-04BSM , AT25010B, AT25020B and AT25040B Package Marking Information	DRAWING NO. 25010-02-04BSM	REV. B

10. Ordering Information

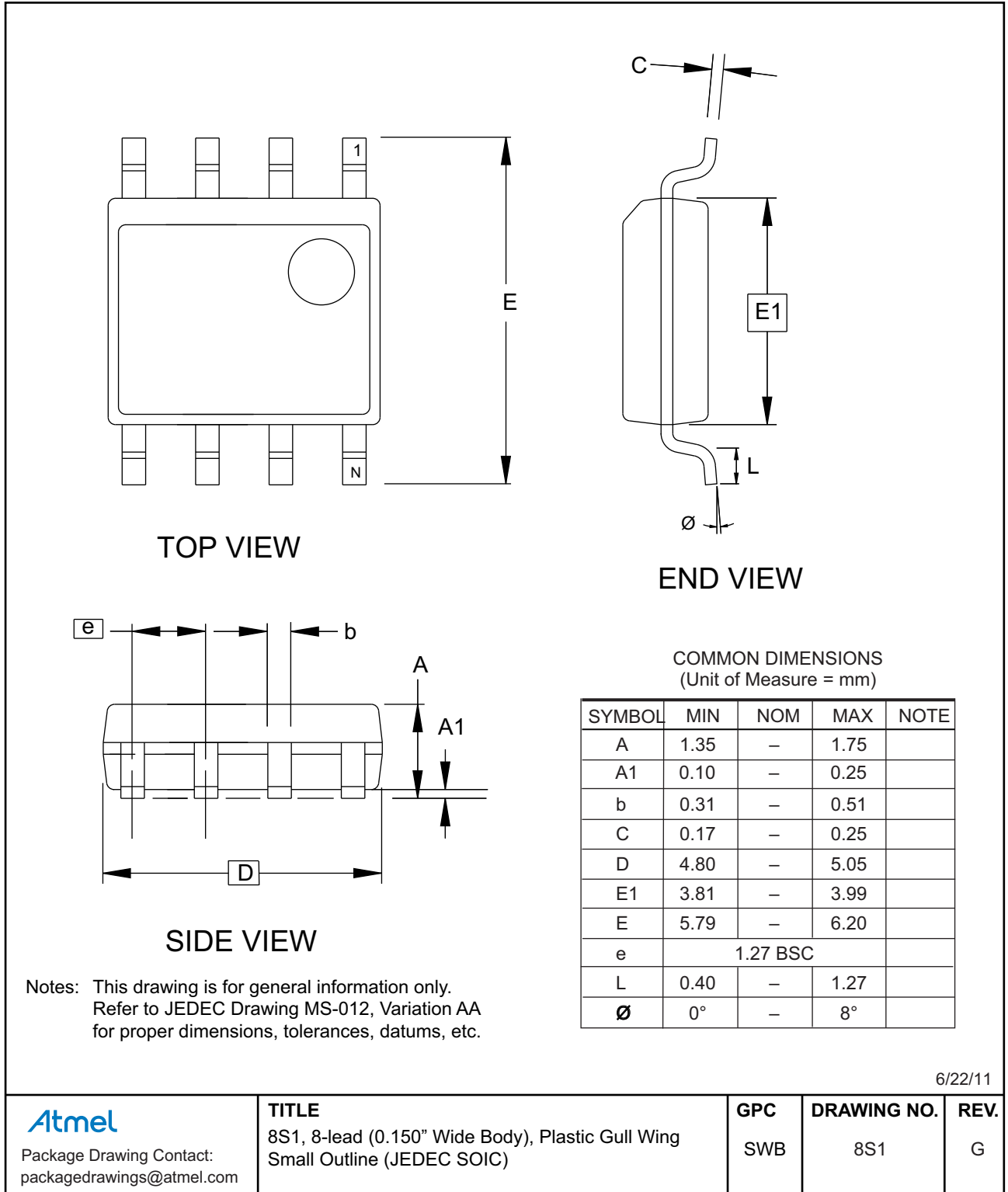
Atmel Ordering Code	Lead Finish	Package	Delivery Information		Operation Range	
			Form	Quantity		
AT25010B-SSHL-B	NiPdAu (Lead-free/Halogen-free)	8S1	Bulk (Tubes)	100 per Tube	Industrial Temperature (-40 to 85°C)	
AT25010B-SSHL-T			Tape and Reel	4,000 per Reel		
AT25010B-XHL-B		8X	Bulk (Tubes)	100 per Tube		
AT25010B-XHL-T			Tape and Reel	5,000 per Reel		
AT25010B-MAHL-T		8MA2	Tape and Reel	5,000 per Reel		
AT25010B-MAHL-E			Tape and Reel	15,000 per Reel		
AT25010B-MEHL-T		8ME1	Tape and Reel	5,000 per Reel		
AT25010B-CUL-T		SnAgCu (Lead-free/Halogen-free)	8U3-1	Tape and Reel		5,000 per Reel
AT25010B-WWU11L ⁽¹⁾		N/A	Wafer	Note 1		
AT25020B-SSHL-B	NiPdAu (Lead-free/Halogen-free)	8S1	Bulk (Tubes)	100 per Tube	Industrial Temperature (-40 to 85°C)	
AT25020B-SSHL-T			Tape and Reel	4,000 per Reel		
AT25020B-XHL-B		8X	Bulk (Tubes)	100 per Tube		
AT25020B-XHL-T			Tape and Reel	5,000 per Reel		
AT25020B-MAHL-T		8MA2	Tape and Reel	5,000 per Reel		
AT25020B-MAHL-E			Tape and Reel	15,000 per Reel		
AT25020B-MEHL-T		8ME1	Tape and Reel	5,000 per Reel		
AT25020B-CUL-T		SnAgCu (Lead-free/Halogen-free)	8U3-1	Tape and Reel		5,000 per Reel
AT25020B-WWU11L ⁽¹⁾		N/A	Wafer	Note 1		
AT25040B-SSHL-B	NiPdAu (Lead-free/Halogen-free)	8S1	Bulk (Tubes)	100 per Tube	Industrial Temperature (-40 to 85°C)	
AT25040B-SSHL-T			Tape and Reel	4,000 per Reel		
AT25040B-XHL-B		8X	Bulk (Tubes)	100 per Tube		
AT25040B-XHL-T			Tape and Reel	5,000 per Reel		
AT25040B-MAHL-T		8MA2	Tape and Reel	5,000 per Reel		
AT25040B-MAHL-E			Tape and Reel	15,000 per Reel		
AT25040B-MEHL-T		8ME1	Tape and Reel	5,000 per Reel		
AT25040B-CUL-T		SnAgCu (Lead-free/Halogen-free)	8U3-1	Tape and Reel		5,000 per Reel
AT25040B-WWU11L ⁽¹⁾		N/A	Wafer	Note 1		

Note: 1. Contact Atmel Sales for Wafer sales.

Package Type	
8S1	8-lead, 0.15" wide, Plastic Gull Wing Small Outline (JEDEC SOIC)
8X	8-lead, 4.40mm body, Plastic Thin Shrink Small Outline Package (TSSOP)
8MA2	8-pad, 2.00mm x 3.00mm body, 0.50mm pitch, Plastic Ultra Thin Dual Flat No Lead (UDFN)
8ME1	8-pad, 1.80mm x 2.20mm body, 0.40mm pitch, Extra Thin Dual Flat No Lead (XDFN)
8U3-1	8-ball, 1.50mm x 2.00mm body, 0.50mm pitch, Die Ball Grid Array (VFBGA)

11. Packaging Information

11.1 8S1 — 8-lead JEDEC SOIC



11.2 8X — 8-lead TSSOP



11.3 8MA2 — 8-pad UDFN



11/26/14

Atmel

Package Drawing Contact:
packagedrawings@atmel.com

TITLE

8MA2, 8-pad 2 x 3 x 0.6mm Body, Thermally Enhanced Plastic Ultra Thin Dual Flat No-Lead Package (UDFN)

GPC

YNZ

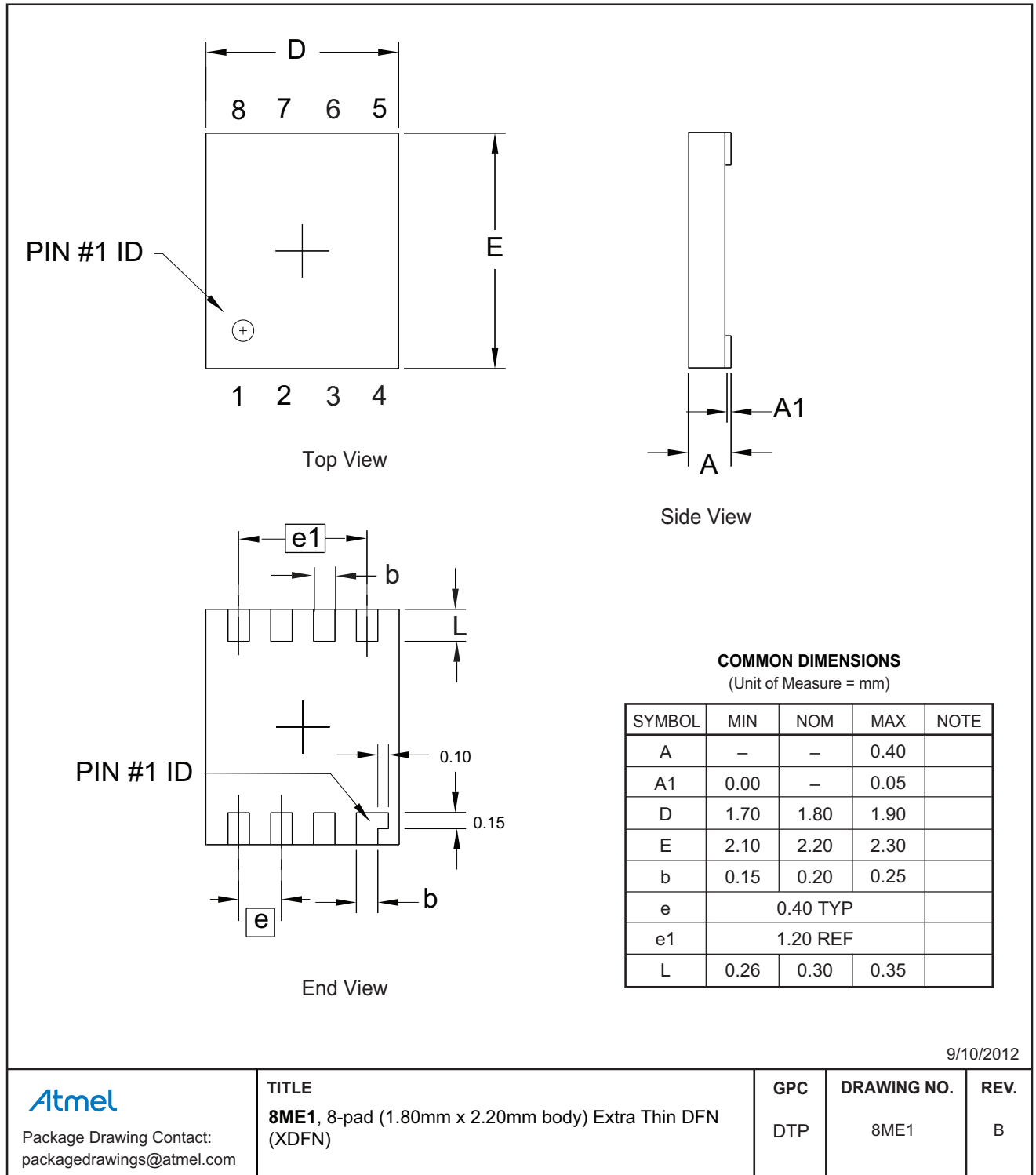
DRAWING NO.

8MA2

REV.

G

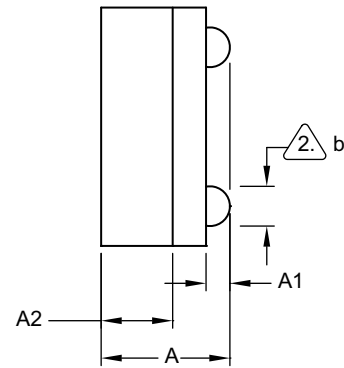
11.4 8ME1 — 8-pad XDFN



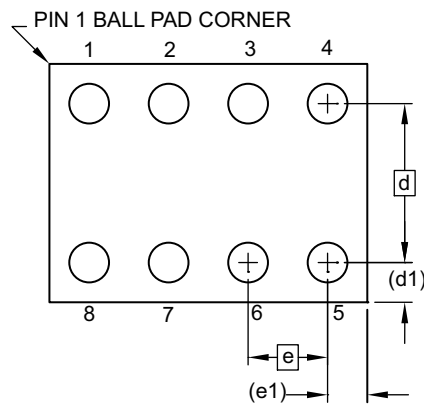
11.5 8U3-1 — 8-ball VFBGA



TOP VIEW



SIDE VIEW



BOTTOM VIEW
8 SOLDER BALLS


Notes:

1. This drawing is for general information only.
2. Dimension 'b' is measured at maximum solder ball diameter.
3. Solder ball composition shall be 95.5Sn-4.0Ag-.5Cu.

COMMON DIMENSIONS
(Unit of Measure - mm)

SYMBOL	MIN	NOM	MAX	NOTE
A	0.73	0.79	0.85	
A1	0.09	0.14	0.19	
A2	0.40	0.45	0.50	
b	0.20	0.25	0.30	2
D	1.50 BSC			
E	2.0 BSC			
e	0.50 BSC			
e1	0.25 REF			
d	1.00 BSC			
d1	0.25 REF			

6/11/13

 Package Drawing Contact: packagedrawings@atmel.com	TITLE 8U3-1, 8-ball, 1.50mm x 2.00mm body, 0.50mm pitch, Very Thin, Fine-Pitch Ball Grid Array Package (VFBGA)	GPC	DRAWING NO.	REV.
		GXU	8U3-1	F

12. Revision History

Doc. Rev.	Date	Comments
8707F	01/2015	Add the UDFN Expanded Quantity Option. Update the 8MA2 package outline drawing and the ordering information section.
8707E	05/2014	Update part markings, package drawings, package 8A2 to 8X, template, logos, and disclaimer page. No change to functional specification.
8707D	04/2013	Correct WRSR waveform figure 4-5, bit 7 is not writable. Update Atmel logos and disclaimer page.
8707C	06/2011	Correct AT25040B-SSHL marking detail. Replace 8A2 package drawing with version E.
8707B	10/2010	Remove Preliminary.
8707B	03/2010	Replace 8Y6 with 8MA2.
8707A	02/2010	Initial document release.



Компания «ЭлектроПласт» предлагает заключение долгосрочных отношений при поставках импортных электронных компонентов на взаимовыгодных условиях!

Наши преимущества:

- Оперативные поставки широкого спектра электронных компонентов отечественного и импортного производства напрямую от производителей и с крупнейших мировых складов;
- Поставка более 17-ти миллионов наименований электронных компонентов;
- Поставка сложных, дефицитных, либо снятых с производства позиций;
- Оперативные сроки поставки под заказ (от 5 рабочих дней);
- Экспресс доставка в любую точку России;
- Техническая поддержка проекта, помощь в подборе аналогов, поставка прототипов;
- Система менеджмента качества сертифицирована по Международному стандарту ISO 9001;
- Лицензия ФСБ на осуществление работ с использованием сведений, составляющих государственную тайну;
- Поставка специализированных компонентов (Xilinx, Altera, Analog Devices, Intersil, Interpoint, Microsemi, Aeroflex, Peregrine, Syfer, Eurofarad, Texas Instrument, Miteq, Cobham, E2V, MA-COM, Hittite, Mini-Circuits, General Dynamics и др.);

Помимо этого, одним из направлений компании «ЭлектроПласт» является направление «Источники питания». Мы предлагаем Вам помощь Конструкторского отдела:

- Подбор оптимального решения, техническое обоснование при выборе компонента;
- Подбор аналогов;
- Консультации по применению компонента;
- Поставка образцов и прототипов;
- Техническая поддержка проекта;
- Защита от снятия компонента с производства.



Как с нами связаться

Телефон: 8 (812) 309 58 32 (многоканальный)

Факс: 8 (812) 320-02-42

Электронная почта: org@eplast1.ru

Адрес: 198099, г. Санкт-Петербург, ул. Калинина, дом 2, корпус 4, литера А.