



Is Now Part of



ON Semiconductor®

To learn more about ON Semiconductor, please visit our website at
www.onsemi.com

Please note: As part of the Fairchild Semiconductor integration, some of the Fairchild orderable part numbers will need to change in order to meet ON Semiconductor's system requirements. Since the ON Semiconductor product management systems do not have the ability to manage part nomenclature that utilizes an underscore (_), the underscore (_) in the Fairchild part numbers will be changed to a dash (-). This document may contain device numbers with an underscore (_). Please check the ON Semiconductor website to verify the updated device numbers. The most current and up-to-date ordering information can be found at www.onsemi.com. Please email any questions regarding the system integration to Fairchild_questions@onsemi.com.

ON Semiconductor and the ON Semiconductor logo are trademarks of Semiconductor Components Industries, LLC dba ON Semiconductor or its subsidiaries in the United States and/or other countries. ON Semiconductor owns the rights to a number of patents, trademarks, copyrights, trade secrets, and other intellectual property. A listing of ON Semiconductor's product/patent coverage may be accessed at www.onsemi.com/site/pdf/Patent-Marking.pdf. ON Semiconductor reserves the right to make changes without further notice to any products herein. ON Semiconductor makes no warranty, representation or guarantee regarding the suitability of its products for any particular purpose, nor does ON Semiconductor assume any liability arising out of the application or use of any product or circuit, and specifically disclaims any and all liability, including without limitation special, consequential or incidental damages. Buyer is responsible for its products and applications using ON Semiconductor products, including compliance with all laws, regulations and safety requirements or standards, regardless of any support or applications information provided by ON Semiconductor. "Typical" parameters which may be provided in ON Semiconductor data sheets and/or specifications can and do vary in different applications and actual performance may vary over time. All operating parameters, including "Typicals" must be validated for each customer application by customer's technical experts. ON Semiconductor does not convey any license under its patent rights nor the rights of others. ON Semiconductor products are not designed, intended, or authorized for use as a critical component in life support systems or any FDA Class 3 medical devices or medical devices with a same or similar classification in a foreign jurisdiction or any devices intended for implantation in the human body. Should Buyer purchase or use ON Semiconductor products for any such unintended or unauthorized application, Buyer shall indemnify and hold ON Semiconductor and its officers, employees, subsidiaries, affiliates, and distributors harmless against all claims, costs, damages, and expenses, and reasonable attorney fees arising out of, directly or indirectly, any claim of personal injury or death associated with such unintended or unauthorized use, even if such claim alleges that ON Semiconductor was negligent regarding the design or manufacture of the part. ON Semiconductor is an Equal Opportunity/Affirmative Action Employer. This literature is subject to all applicable copyright laws and is not for resale in any manner.



June 2014

FOD8384

2.5 A Output Current, High-Speed, MOSFET/IGBT Gate Drive Optocoupler in Optoplanar® Wide-Body SOP 5-Pin

Features

- Reliable and High-Voltage Insulation with Greater than 8 mm Creepage and Clearance Distance and 0.5 mm Internal Insulation Distance
- 2.5 A Output Current Driving Capability for Medium-Power IGBT/MOSFET
 - P-Channel MOSFET at Output Stage Enables Output Voltage Swing Close to Supply Rail
- 35 kV/μs Minimum Common Mode Rejection
- Wide Supply Voltage Range: 15 V to 30 V
- Fast Switching Speed Over Full Operating Temperature Range
 - 210 ns Maximum Propagation Delay
 - 65 ns Maximum Pulse-Width Distortion
- Under-Voltage Lockout (UVLO) with Hysteresis
- Extended Industrial Temperature Range: -40°C to 100°C
- Safety and Regulatory Approvals:
 - UL1577, 5,000 VAC_{RMS} for 1 Minute
 - DIN-EN/IEC60747-5-5, 1,414 V Peak Working Insulation Voltage

Applications

- AC and Brushless DC Motor Drives
- Industrial Inverter
- Uninterruptible Power Supply
- Induction Heating
- Isolated IGBT/Power MOSFET Gate Drive

Related Resources

- [FOD3184—3 A Output Current, High-Speed MOSFET/IGBT Gate Drive Optocoupler Datasheet](#)
- www.fairchildsemi.com/products/opto/

Description

The FOD8384 is a 2.5 A output current gate drive optocoupler capable of driving medium-power IGBT/MOSFETs. It is ideally suited for fast-switching driving of power IGBT and MOSFET used in motor-control inverter applications and high-performance power systems.

The FOD8384 utilizes Fairchild's Optoplanar® coplanar packaging technology and optimized IC design to achieve reliable high-insulation voltage and high-noise immunity.

It consists of an Aluminum Gallium Arsenide (AlGaAs) Light-Emitting Diode (LED) optically coupled to an integrated circuit with a high-speed driver for push-pull MOSFET output stage. The device is housed in a wide body, 5-pin, small-outline, plastic package.

Functional Schematic



Figure 1. Schematic

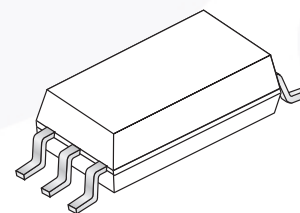


Figure 2. Package Outline

FOD8384 — 2.5 A Output Current, High-Speed, MOSFET/IGBT Gate Drive Optocoupler in Optoplanar® Wide-Body SOP 5-Pin

Truth Table

| LED | $V_{DD} - V_{SS}$ “Positive Going” (Turn-on) | $V_{DD} - V_{SS}$ “Positive Going” (Turn-off) | V_O |
|-----|--|---|------------|
| Off | 0 V to 30 V | 0 V to 30 V | LOW |
| On | 0 V to 11.5 V | 0 V to 10 V | LOW |
| On | 11.5 V to 14.5 V | 10 V to 13 V | Transition |
| On | 14.5 V to 30 V | 13 V to 30 V | HIGH |

Pin Configuration



Figure 3. Pin Configuration

Pin Definitions

| Pin # | Name | Description |
|-------|----------|-------------------------|
| 1 | Anode | LED Anode |
| 3 | Cathode | LED Cathode |
| 4 | V_{SS} | Negative Supply Voltage |
| 5 | V_O | Output Voltage |
| 6 | V_{DD} | Positive Supply Voltage |

Safety and Insulation Ratings

As per DIN EN/IEC60747-5-5, this optocoupler is suitable for “safe electrical insulation” only within the safety limit data. Compliance with the safety ratings shall be ensured by means of protective circuits.

| Symbol | Parameter | Min. | Typ. | Max. | Unit |
|-----------------------|--|-----------------|-----------|------|-------------------|
| | Installation Classifications per DIN VDE 0110/1.89 Table 1 | | | | |
| | For Rated Mains Voltage < 150 V _{RMS} | | I-IV | | |
| | For Rated Mains Voltage < 300 V _{RMS} | | I-IV | | |
| | For Rated Mains Voltage < 450 V _{RMS} | | I-III | | |
| | For Rated Mains Voltage < 600 V _{RMS} | | I-III | | |
| | Climatic Classification | | 40/100/21 | | |
| | Pollution Degree (DIN VDE 0110/1.89) | | 2 | | |
| CTI | Comparative Tracking Index | 175 | | | |
| V _{PR} | Input-to-Output Test Voltage, Method b, V _{IORM} × 1.875 = V _{PR} , 100% Production Test with t _m = 1 s, Partial Discharge < 5 pC | 2651 | | | |
| | Input-to-Output Test Voltage, Method a, V _{IORM} × 1.6 = V _{PR} , Type and Sample Test with t _m = 10 s, Partial Discharge < 5 pC | 2262 | | | |
| V _{IORM} | Maximum Working Insulation Voltage | 1414 | | | V _{peak} |
| V _{IOTM} | Highest Allowable Over Voltage | 8000 | | | V _{peak} |
| | External Creepage | 8.0 | | | mm |
| | External Clearance | 8.0 | | | mm |
| | Insulation Thickness | 0.5 | | | mm |
| | Safety Limit Values – Maximum Values Allowed in the Event of a Failure | | | | |
| T _S | Case Temperature | 150 | | | °C |
| I _{S,INPUT} | Input Current | 200 | | | mA |
| P _{S,OUTPUT} | Output Power | 600 | | | mW |
| R _{IO} | Insulation Resistance at T _S , V _{IO} = 500 V | 10 ⁹ | | | Ω |

Absolute Maximum Ratings

Stresses exceeding the absolute maximum ratings may damage the device. The device may not function or be operable above the recommended operating conditions and stressing the parts to these levels is not recommended. In addition, extended exposure to stresses above the recommended operating conditions may affect device reliability. The absolute maximum ratings are stress ratings only. $T_A = 25^\circ\text{C}$ unless otherwise specified.

| Symbol | Parameter | Value | Units |
|---------------------------------|---|----------------------|------------------|
| T_{STG} | Storage Temperature | -40 to +125 | $^\circ\text{C}$ |
| T_{OPR} | Operating Temperature | -40 to +100 | $^\circ\text{C}$ |
| T_{J} | Junction Temperature | -40 to +125 | $^\circ\text{C}$ |
| T_{SOL} | Lead Solder Temperature <i>Refer to Reflow Temperature Profile on page 15.</i> | 260 for 10 s | $^\circ\text{C}$ |
| $I_{\text{F(AVG)}}$ | Average Input Current | 25 | mA |
| V_{R} | Reverse Input Voltage | 5.0 | V |
| $I_{\text{O(PEAK)}}$ | Peak Output Current ⁽¹⁾ | 3.0 | A |
| $V_{\text{DD}} - V_{\text{SS}}$ | Supply Voltage | -0.5 to 35 | V |
| $V_{\text{O(PEAK)}}$ | Peak Output Voltage | 0 to V_{DD} | V |
| PD_{I} | Input Power Dissipation ⁽²⁾⁽⁴⁾ | 45 | mW |
| PD_{O} | Output Power Dissipation ⁽³⁾⁽⁴⁾ | 500 | mW |

Notes:

- Maximum pulse width = 10 μs , maximum duty cycle = 0.2%.
- No derating required across operating temperature range.
- Derate linearly from 25 $^\circ\text{C}$ at a rate of 5.2 mW/ $^\circ\text{C}$.
- Functional operation under these conditions is not implied. Permanent damage may occur if the device is subjected to conditions outside these ratings.

Recommended Operating Conditions

The Recommended Operating Conditions table defines the conditions for actual device operation. Recommended operating conditions are specified to ensure optimal performance to the datasheet specifications. Fairchild does not recommend exceeding them or designing to absolute maximum ratings.

| Symbol | Parameter | Min. | Max. | Unit |
|---------------------------------|-------------------------------|------|------|------------------|
| T_{A} | Ambient Operating Temperature | -40 | 100 | $^\circ\text{C}$ |
| $V_{\text{DD}} - V_{\text{SS}}$ | Supply Voltage | 15 | 30 | V |
| $I_{\text{F(ON)}}$ | Input Current (ON) | 10 | 16 | mA |
| $V_{\text{F(OFF)}}$ | Input Voltage (OFF) | 0 | 0.8 | V |

Isolation Characteristics

Apply over all recommended conditions; typical value is measured at $T_A = 25^\circ\text{C}$.

| Symbol | Parameter | Conditions | Min. | Typ. | Max. | Units |
|-----------|--------------------------------|--|-------|-----------|------|-----------|
| V_{ISO} | Input-Output Isolation Voltage | $T_A = 25^\circ\text{C}$, R.H. < 50%, $t = 60$ s, $I_{I-O} \leq 20 \mu\text{A}$, 50 Hz ⁽⁵⁾⁽⁶⁾ | 5,000 | | | V_{RMS} |
| R_{ISO} | Isolation Resistance | $V_{I-O} = 500$ V ⁽⁵⁾ | | 10^{11} | | Ω |
| C_{ISO} | Isolation Capacitance | $V_{I-O} = 0$ V, Frequency = 1.0 MHz ⁽⁶⁾ | | 1 | | pF |

Notes:

- Device is considered a two-terminal device: pins 1 and 3 are shorted together and pins 4, 5 and 6 are shorted together.
- 5,000 $V_{AC_{RMS}}$ for 1 minute duration is equivalent to 6,000 $V_{AC_{RMS}}$ for 1 second duration.

Electrical Characteristics

Apply over all recommended conditions, typical value is measured at $V_{DD} = 30$ V, $V_{SS} = \text{Ground}$, $T_A = 25^\circ\text{C}$ unless otherwise specified.

| Symbol | Parameter | Conditions | Min. | Typ. | Max. | Units | Figure |
|---------------------|---|--|----------------|------|----------------|-------|------------|
| V_F | Input Forward Voltage | $I_F = 10$ mA | 1.10 | 1.43 | 1.80 | V | 19 |
| $\Delta(V_F / T_A)$ | Temperature Coefficient of Forward Voltage | | | -1.5 | | mV/°C | |
| BV_R | Input Reverse Breakdown Voltage | $I_R = 10 \mu\text{A}$ | 5 | | | V | |
| C_{IN} | Input Capacitance | $f = 1$ MHz, $V_F = 0$ V | | 60 | | pF | |
| I_{OH} | High Level Output Current ⁽¹⁾ | $V_{OH} = V_{DD} - 1$ V | | -0.9 | -0.5 | A | 4, 6 |
| | | $V_{OH} = V_{DD} - 6$ V | | | -2.5 | A | 4, 6, 22 |
| I_{OL} | Low Level Output Current ⁽¹⁾ | $V_{OL} = V_{SS} + 1$ V | 0.5 | 1.0 | | A | 7, 9 |
| | | $V_{OL} = V_{SS} + 6$ V | 2.5 | | | A | 7, 9, 21 |
| V_{OH} | High Level Output Voltage ⁽⁷⁾⁽⁸⁾ | $I_F = 10$ mA, $I_O = -2.5$ A | $V_{DD} - 7.0$ | | | V | 4 |
| | | $I_F = 10$ mA, $I_O = -100$ mA | $V_{DD} - 0.5$ | | | V | 4, 5, 23 |
| V_{OL} | Low Level Output Voltage ⁽⁷⁾⁽⁸⁾ | $I_F = 0$ mA, $I_O = 2.5$ A | | | $V_{SS} + 7.0$ | V | 7 |
| | | $I_F = 0$ mA, $I_O = 100$ mA | | | $V_{SS} + 0.5$ | V | 8, 24 |
| I_{DDH} | High Level Supply Current | $V_O = \text{Open}$, $I_F = 7$ to 16 mA | | 2.9 | 3.5 | mA | 10, 11, 25 |
| I_{DDL} | Low Level Supply Current | $V_O = \text{Open}$, $V_F = 0$ to 0.8 V | | 2.8 | 3.5 | mA | 10, 11, 26 |
| I_{FLH} | Threshold Input Current Low-to-High | $I_O = 0$ mA, $V_O > 5$ V | | 3.1 | 7.5 | mA | 12, 18, 27 |
| V_{FHL} | Threshold Input Voltage High-to-Low | $I_O = 0$ mA, $V_O < 5$ V | 0.8 | | | V | 28 |
| V_{UVLO+} | Under-Voltage Lockout Threshold | $I_F = 10$ mA, $V_O > 5$ V | 11.5 | 13.0 | 14.5 | V | 20, 29 |
| V_{UVLO-} | | $I_F = 10$ mA, $V_O < 5$ V | 10.0 | 11.5 | 13.0 | V | 20, 29 |
| $UVLO_{HYS}$ | Under-Voltage Lockout Threshold Hysteresis | | | 1.5 | | V | |

Notes:

- In this test, V_{OH} is measured with a dc load current of 100 mA. When driving capacitive load V_{OH} will approach V_{DD} as I_{OH} approaches 0 A.
- Maximum pulse width = 1 ms, maximum duty cycle = 20%.

Switching Characteristics

Apply over all recommended conditions, typical value is measured at $V_{DD} = 30\text{ V}$, $V_{SS} = \text{Ground}$, $T_A = 25^\circ\text{C}$ unless otherwise specified.

| Symbol | Parameter | Conditions | Min. | Typ. | Max. | Units | Figure | |
|-----------------|--|--|---|------|------|-------------------------|------------------------------|----|
| t_{PHL} | Propagation Delay Time to Logic LOW Output ⁽⁹⁾ | $I_F = 7\text{ mA to }16\text{ mA}$, $R_g = 10\ \Omega$, $C_g = 10\text{ nF}$, $f = 250\text{ kHz}$, Duty Cycle = 50% | 50 | 145 | 210 | ns | 13, 14, 15, 16, 17, 30 | |
| t_{PLH} | Propagation Delay Time to Logic HIGH Output ⁽¹⁰⁾ | | 50 | 135 | 210 | ns | 13, 14, 15, 16, 17, 30 | |
| PWD | Pulse Width Distortion ⁽¹¹⁾ $ t_{PHL} - t_{PLH} $ | | | | 25 | 65 | ns | |
| PDD (Skew) | Propagation Delay Difference Between Any Two Parts ⁽¹²⁾ | | | -90 | | 90 | | |
| t_R | Output Rise Time (10% to 90%) | | | | 35 | | ns | 30 |
| t_F | Output Fall Time (90% to 10%) | | | | 25 | | ns | 30 |
| $t_{ULVO\ ON}$ | ULVO Turn-On Delay | | $I_F = 10\text{ mA}$, $V_O > 5\text{ V}$ | | 1.7 | | μs | |
| $t_{ULVO\ OFF}$ | ULVO Turn-Off Delay | $I_F = 10\text{ mA}$, $V_O < 5\text{ V}$ | | 0.1 | | μs | | |
| $ CM_H $ | Common Mode Transient Immunity at Output HIGH | $T_A = 25^\circ\text{C}$, $V_{DD} = 30\text{ V}$, $I_F = 10\text{ to }16\text{ mA}$, $V_{CM} = 1500\text{ V}$ ⁽¹³⁾ | 35 | 50 | | $\text{kV}/\mu\text{s}$ | 31 | |
| $ CM_L $ | Common Mode Transient Immunity at Output LOW | $T_A = 25^\circ\text{C}$, $V_{DD} = 30\text{ V}$, $V_F = 0\text{ V}$, $V_{CM} = 1500\text{ V}$ ⁽¹⁴⁾ | 35 | 50 | | $\text{kV}/\mu\text{s}$ | 31 | |

Notes:

- Propagation delay t_{PHL} is measured from the 50% level on the falling edge of the input pulse to the 50% level of the falling edge of the V_O signal.
- Propagation delay t_{PLH} is measured from the 50% level on the rising edge of the input pulse to the 50% level of the rising edge of the V_O signal.
- PWD is defined as $|t_{PHL} - t_{PLH}|$ for any given device.
- The difference between t_{PHL} and t_{PLH} between any two FOD8384 parts under the same operating conditions, with equal loads.
- Common mode transient immunity at output high is the maximum tolerable negative dV_{cm}/dt on the trailing edge of the common mode impulse signal, V_{CM} , to ensure that the output remains high (i.e., $V_O > 15.0\text{ V}$).
- Common mode transient immunity at output low is the maximum tolerable positive dV_{cm}/dt on the leading edge of the common pulse signal, V_{CM} , to ensure that the output remains low (i.e., $V_O < 1.0\text{ V}$).

Typical Performance Characteristics



Figure 4. Output High Voltage Drop vs. Output High Current

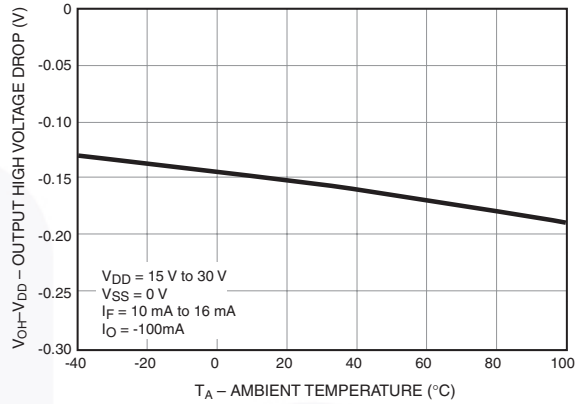


Figure 5. Output High Voltage Drop vs. Ambient Temperature



Figure 6. Output High Current vs. Ambient Temperature

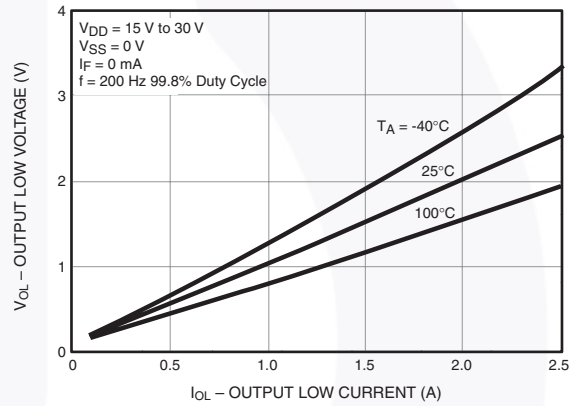


Figure 7. Output Low Voltage vs. Output Low Current



Figure 8. Output Low Voltage vs. Ambient Temperature

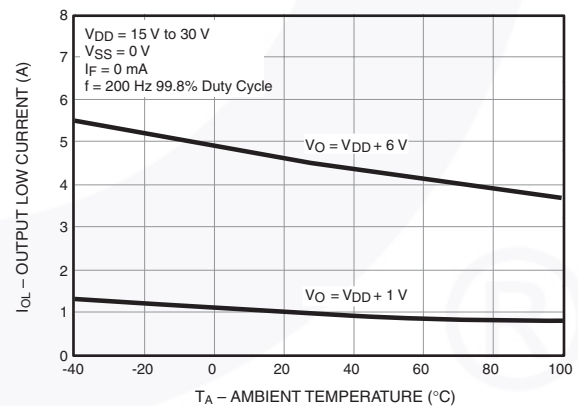


Figure 9. Output Low Current vs. Ambient Temperature

Typical Performance Characteristics (Continued)

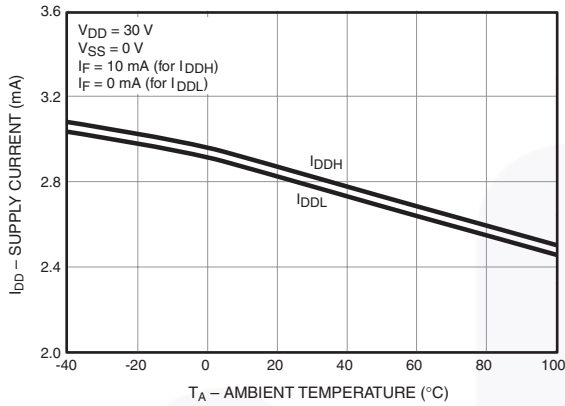


Figure 10. Supply Current vs. Ambient Temperature

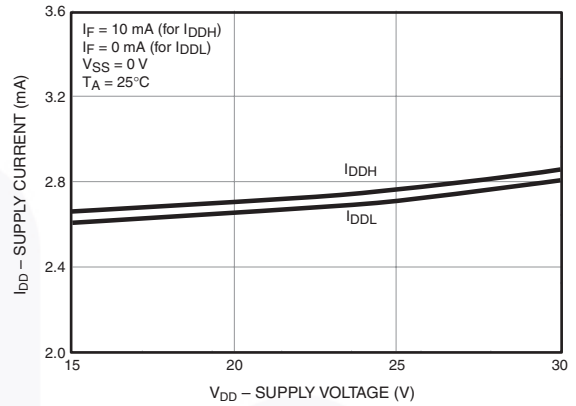


Figure 11. Supply Current vs. Supply Voltage

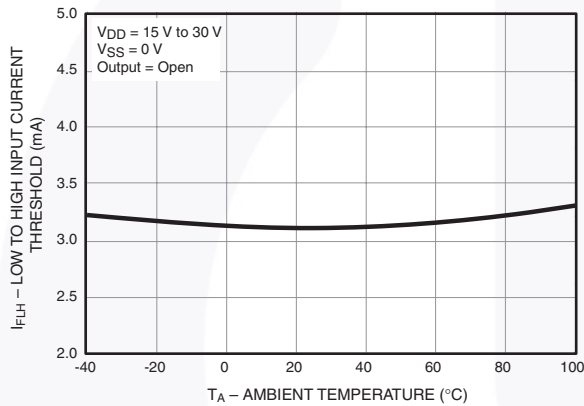


Figure 12. Low-to-High Input Current Threshold vs. Ambient Temperature

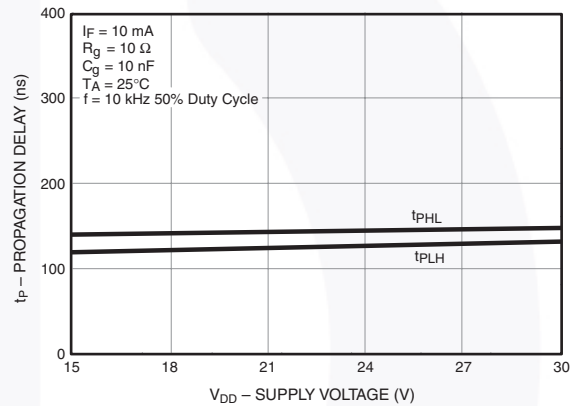


Figure 13. Propagation Delay vs. Supply Voltage

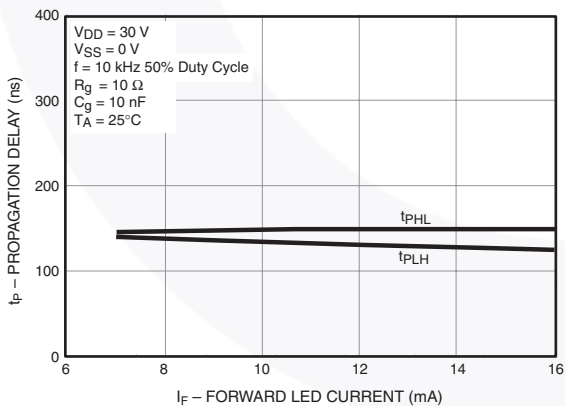


Figure 14. Propagation Delay vs. LED Forward Current

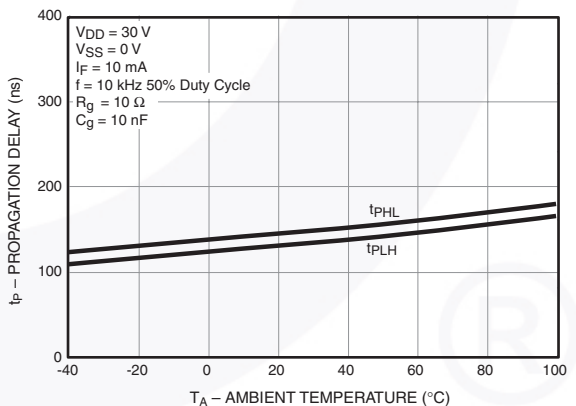


Figure 15. Propagation Delay vs. Ambient Temperature

Typical Performance Characteristics (Continued)

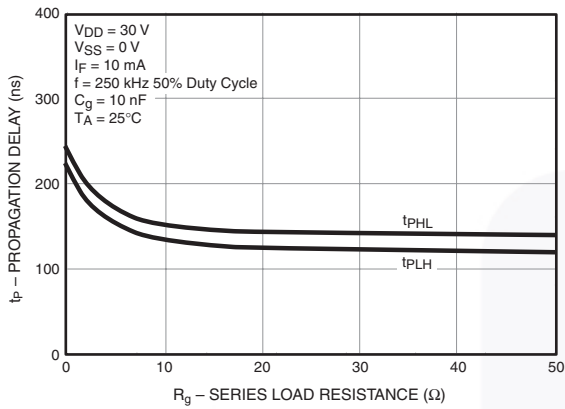


Figure 16. Propagation Delay vs. Series Load Resistance

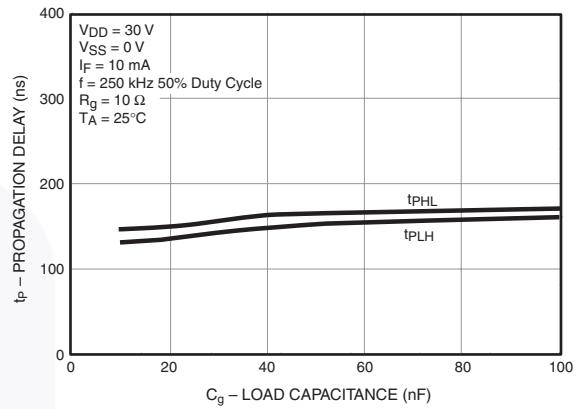


Figure 17. Propagation Delay vs. Load Capacitance



Figure 18. Transfer Characteristics

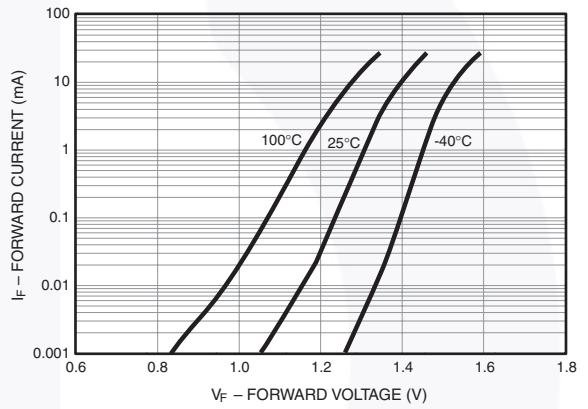


Figure 19. Input Forward Current vs. Forward Voltage

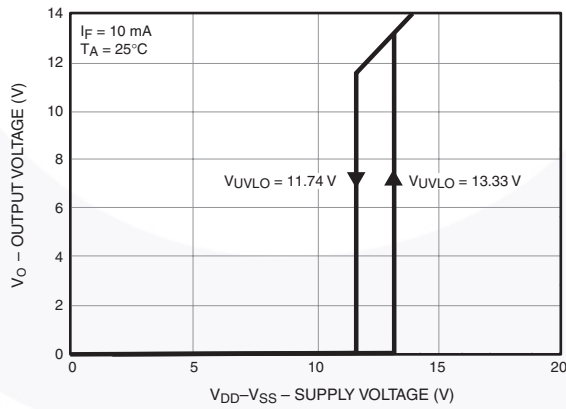


Figure 20. Under-Voltage Lockout

Test Circuit

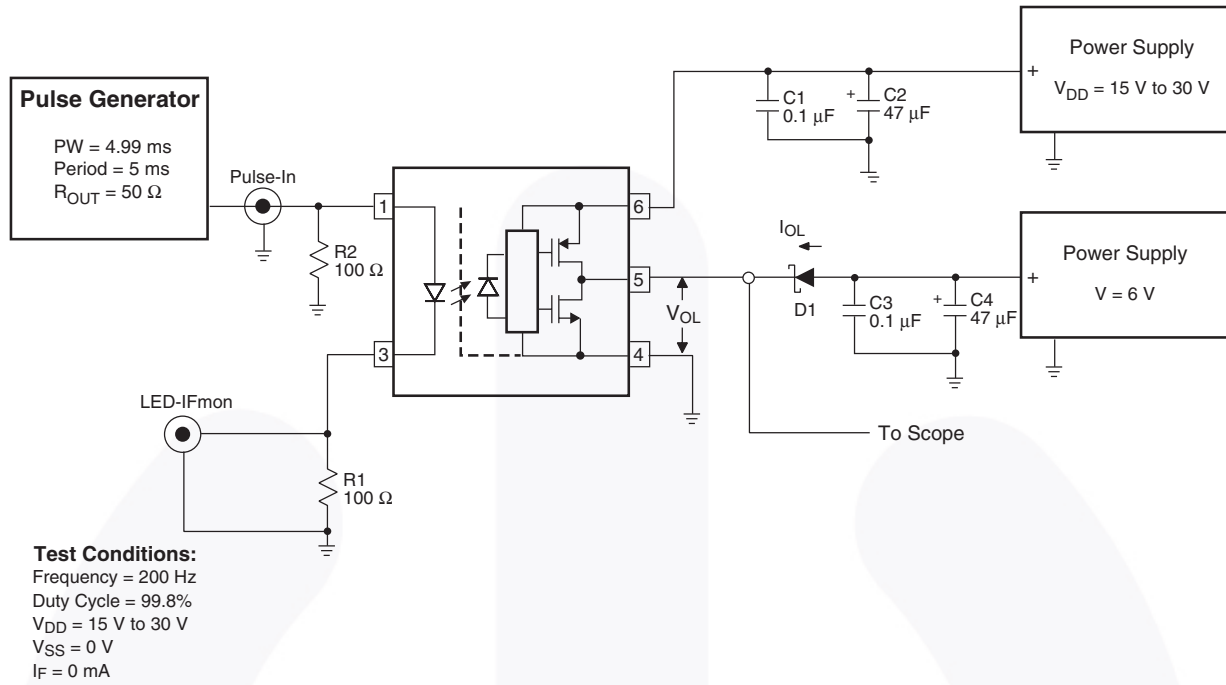


Figure 21. I_{OL} Test Circuit

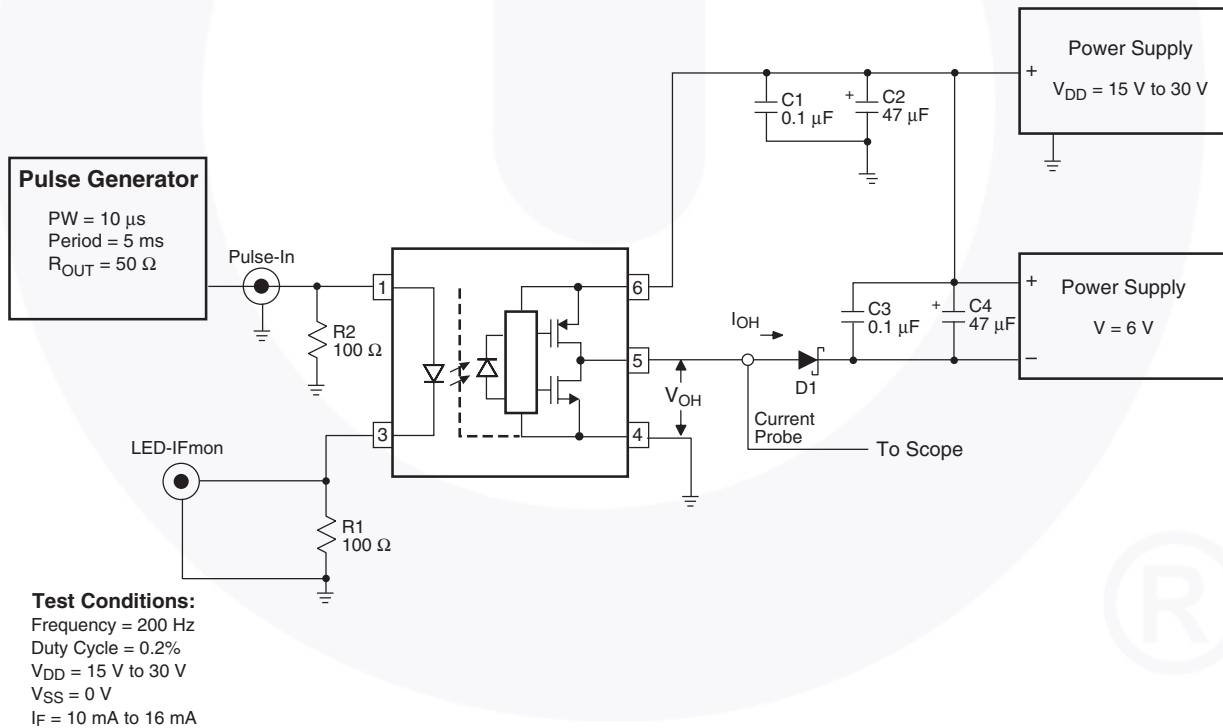


Figure 22. I_{OH} Test Circuit

Test Circuit (Continued)

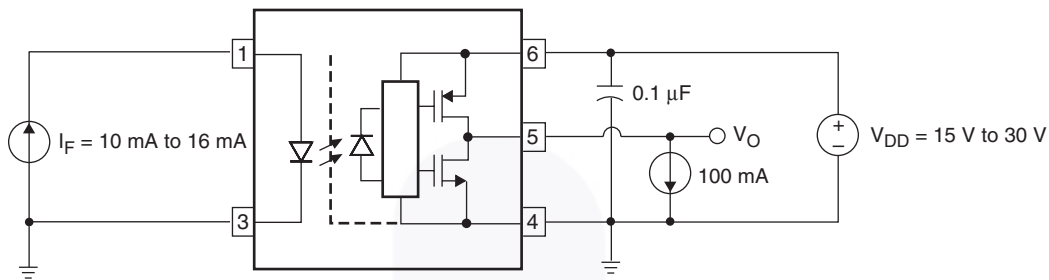


Figure 23. V_{OH} Test Circuit

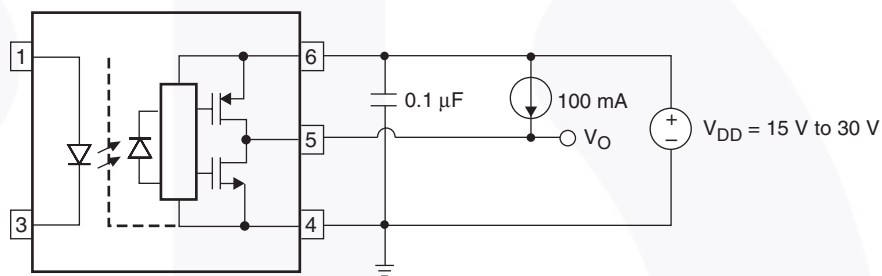


Figure 24. V_{OL} Test Circuit

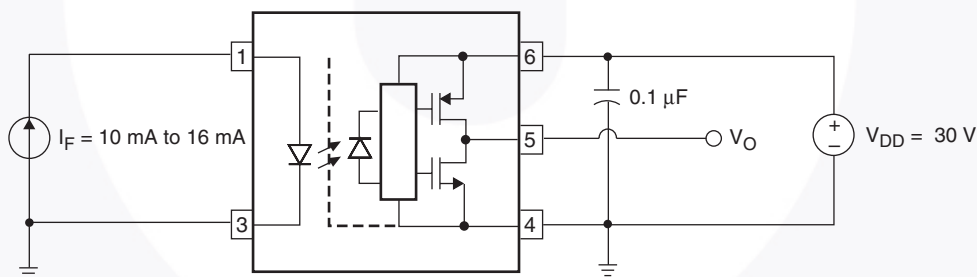


Figure 25. I_{DDH} Test Circuit

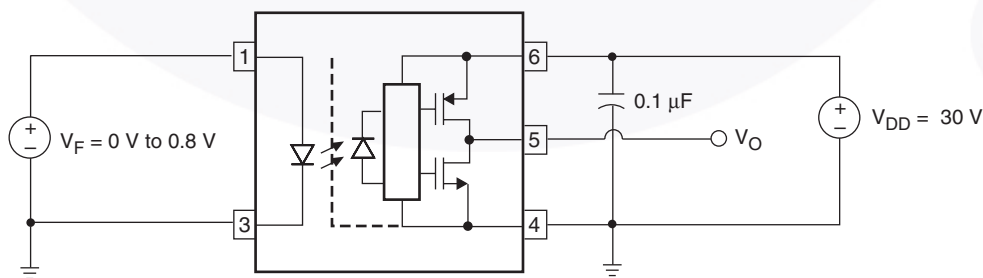


Figure 26. I_{DDL} Test Circuit

Test Circuit (Continued)

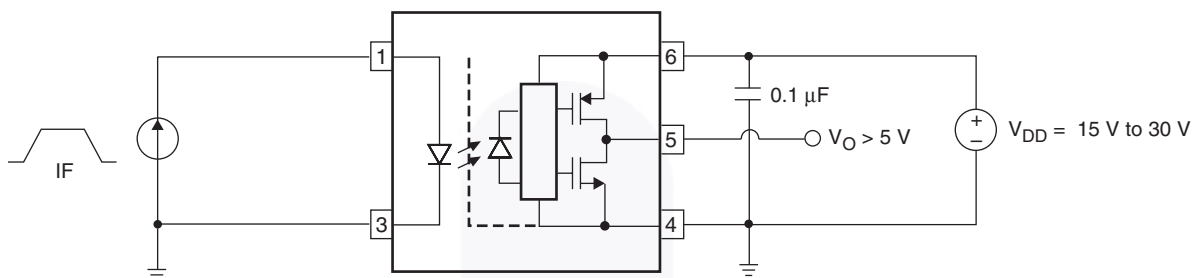


Figure 27. I_{FLH} Test Circuit

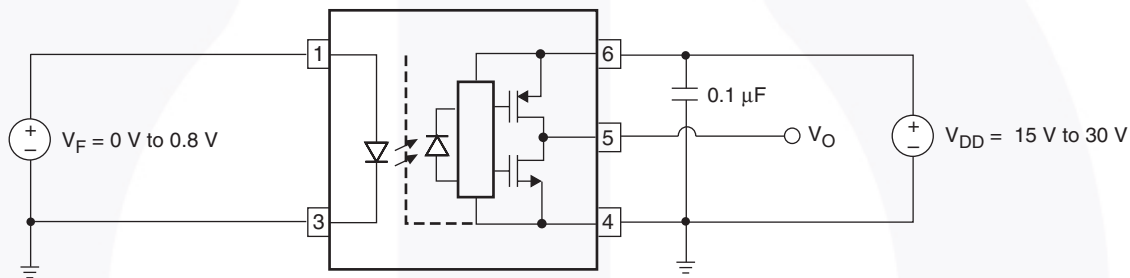


Figure 28. V_{FHL} Test Circuit

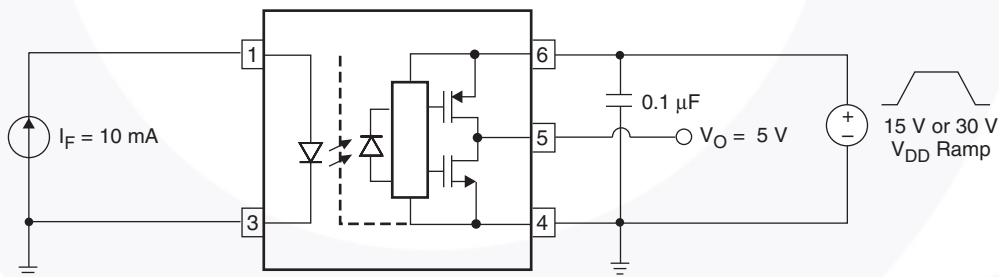


Figure 29. UVLO Test Circuit

Test Circuit (Continued)

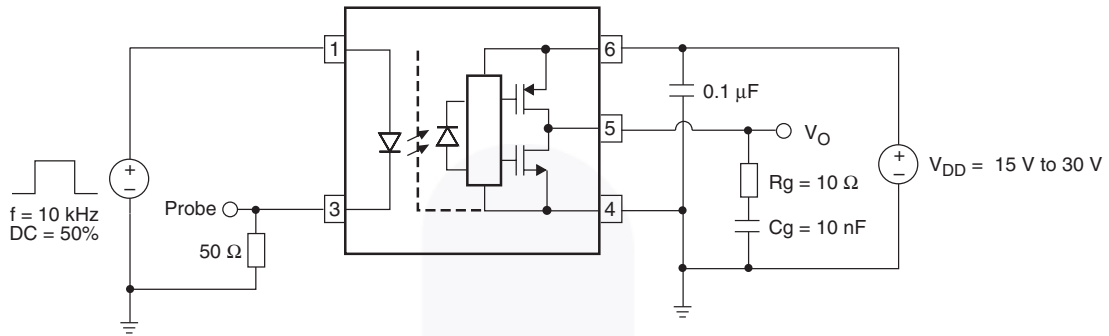


Figure 30. t_{PHL} , t_{PLH} , t_R , and t_F Test Circuit and Waveforms

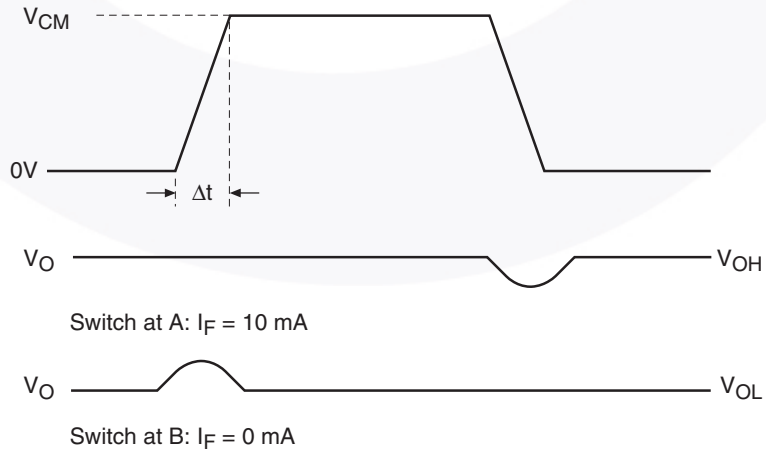
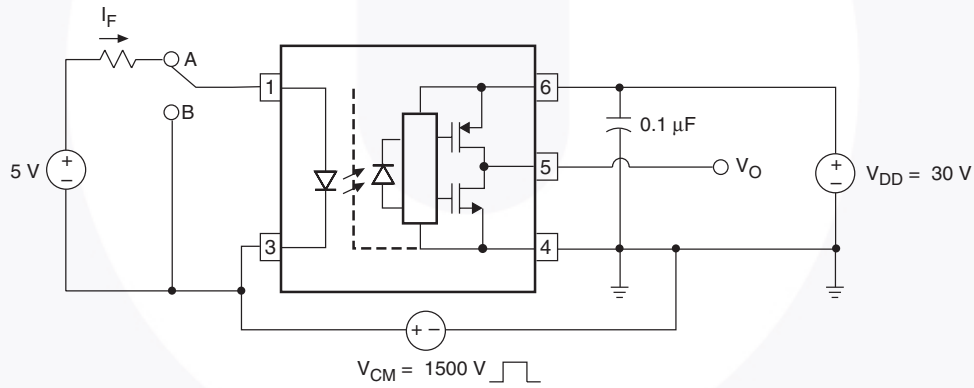
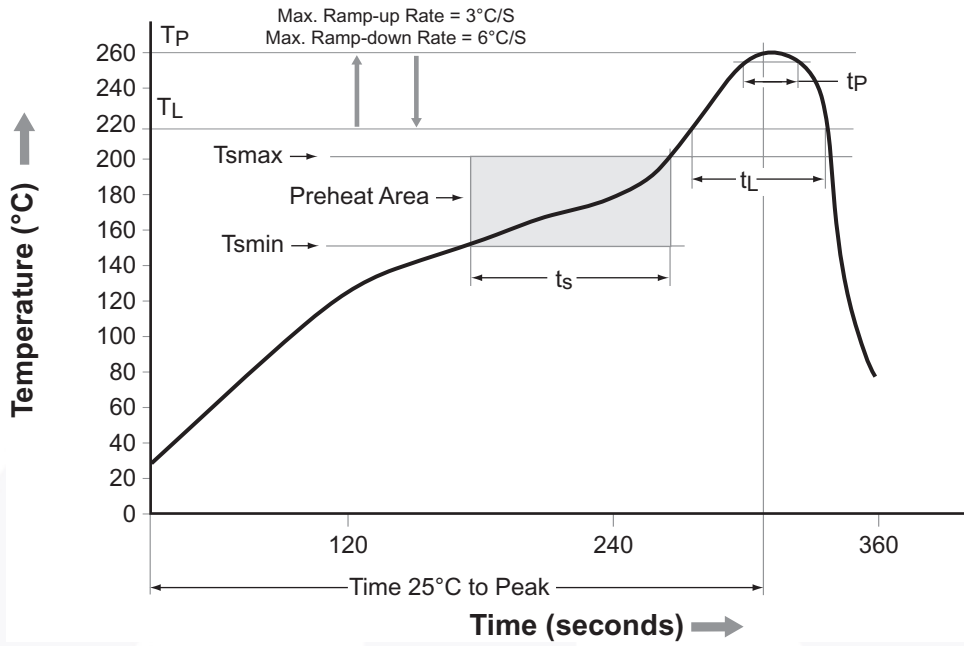


Figure 31. CMR Test Circuit and Waveforms

Reflow Profile




| Profile Feature | Pb-Free Assembly Profile |
|--|--------------------------|
| Temperature Minimum (T_{smin}) | 150°C |
| Temperature Maximum (T_{smax}) | 200°C |
| Time (t_s) from (T_{smin} to T_{smax}) | 60 s to 120 s |
| Ramp-up Rate (t_L to t_P) | 3°C/second maximum |
| Liquidous Temperature (T_L) | 217°C |
| Time (t_L) Maintained Above (T_L) | 60 s to 150 s |
| Peak Body Package Temperature | 260°C +0°C / -5°C |
| Time (t_P) within 5°C of 260°C | 30 s |
| Ramp-Down Rate (T_P to T_L) | 6°C/s maximum |
| Time 25°C to Peak Temperature | 8 minutes maximum |

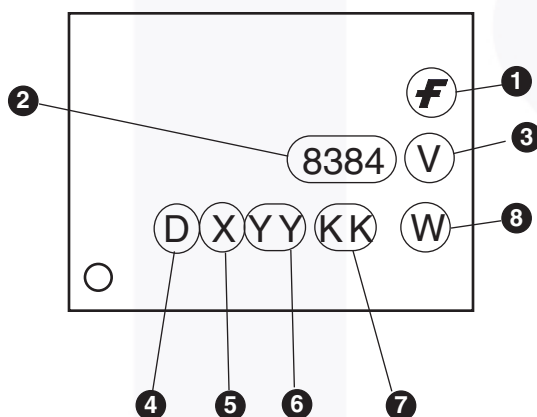
Figure 32. Reflow Profile

Ordering Information

| Part Number | Package | Packing Method |
|-------------|---|--------------------------------------|
| FOD8384 | Wide Body SOP 5-Pin | Tube (100 units per tube) |
| FOD8384R2 | Wide Body SOP 5-Pin | Tape and Reel (1,000 units per reel) |
| FOD8384V | Wide Body SOP 5-Pin, DIN EN/IEC60747-5-5 Option | Tube (100 units per tube) |
| FOD8384R2V | Wide Body SOP 5-Pin, DIN EN/IEC60747-5-5 Option | Tape and Reel (1,000 units per reel) |

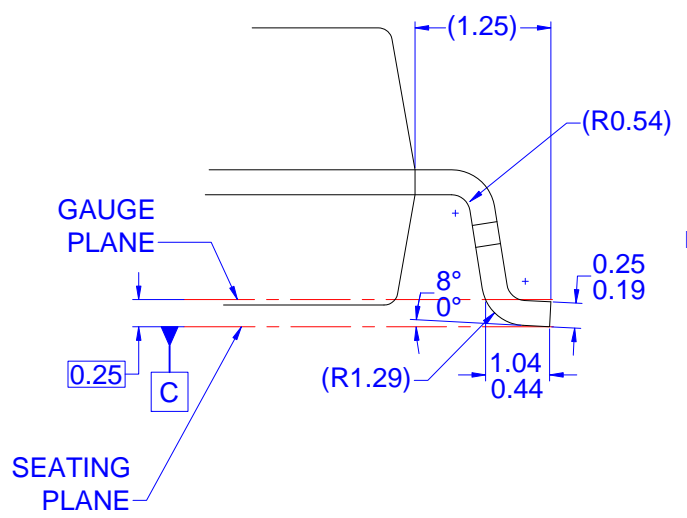
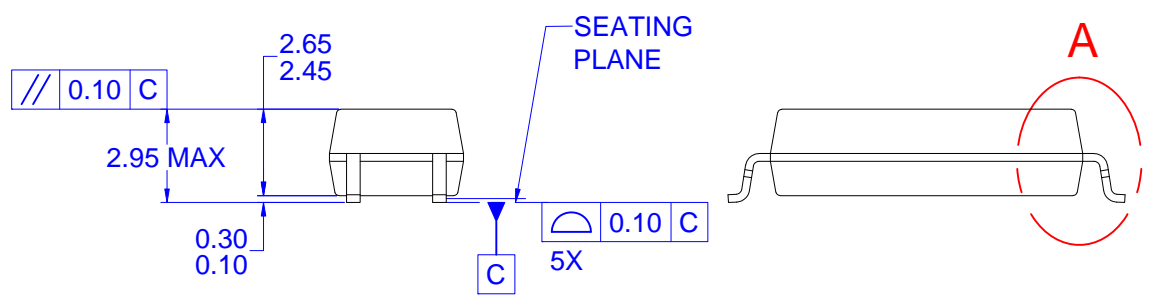
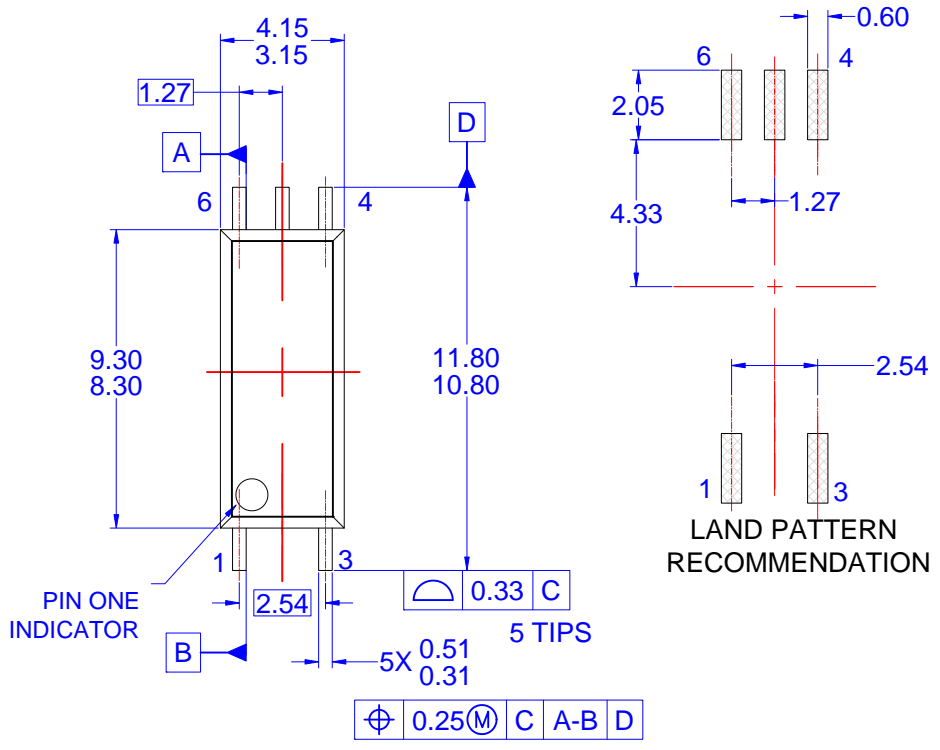
 All packages are lead free per JEDEC: J-STD-020B standard.

Marking Information



Definitions

| | |
|---|---|
| 1 | Fairchild logo |
| 2 | Device number, e.g., '8384' for FOD8384 |
| 3 | DIN EN/IEC60747-5-5 Option (only appears on component ordered with this option) |
| 4 | Plant code, e.g., 'D' |
| 5 | Last digit year code, e.g., 'C' for 2012 |
| 6 | Two-digit work week ranging from '01' to '53' |
| 7 | Lot traceability code |
| 8 | Package assembly code, W |



DETAIL A
SCALE: 3.2:1

- NOTES: UNLESS OTHERWISE SPECIFIED
- A) THIS PACKAGE DOES NOT CONFORM TO ANY STANDARD.
 - B) ALL DIMENSIONS ARE IN MILLIMETERS.
 - C) DIMENSIONS ARE EXCLUSIVE OF BURRS, MOLD FLASH AND TIE BAR PROTRUSIONS
 - D) DRAWING CONFORMS TO ASME Y14.5M-1994
 - E) DRAWING FILE NAME: MKT-M05BREV2

ON Semiconductor and  are trademarks of Semiconductor Components Industries, LLC dba ON Semiconductor or its subsidiaries in the United States and/or other countries. ON Semiconductor owns the rights to a number of patents, trademarks, copyrights, trade secrets, and other intellectual property. A listing of ON Semiconductor's product/patent coverage may be accessed at www.onsemi.com/site/pdf/Patent-Marking.pdf. ON Semiconductor reserves the right to make changes without further notice to any products herein. ON Semiconductor makes no warranty, representation or guarantee regarding the suitability of its products for any particular purpose, nor does ON Semiconductor assume any liability arising out of the application or use of any product or circuit, and specifically disclaims any and all liability, including without limitation special, consequential or incidental damages. Buyer is responsible for its products and applications using ON Semiconductor products, including compliance with all laws, regulations and safety requirements or standards, regardless of any support or applications information provided by ON Semiconductor. "Typical" parameters which may be provided in ON Semiconductor data sheets and/or specifications can and do vary in different applications and actual performance may vary over time. All operating parameters, including "Typicals" must be validated for each customer application by customer's technical experts. ON Semiconductor does not convey any license under its patent rights nor the rights of others. ON Semiconductor products are not designed, intended, or authorized for use as a critical component in life support systems or any FDA Class 3 medical devices or medical devices with a same or similar classification in a foreign jurisdiction or any devices intended for implantation in the human body. Should Buyer purchase or use ON Semiconductor products for any such unintended or unauthorized application, Buyer shall indemnify and hold ON Semiconductor and its officers, employees, subsidiaries, affiliates, and distributors harmless against all claims, costs, damages, and expenses, and reasonable attorney fees arising out of, directly or indirectly, any claim of personal injury or death associated with such unintended or unauthorized use, even if such claim alleges that ON Semiconductor was negligent regarding the design or manufacture of the part. ON Semiconductor is an Equal Opportunity/Affirmative Action Employer. This literature is subject to all applicable copyright laws and is not for resale in any manner.

PUBLICATION ORDERING INFORMATION

LITERATURE FULFILLMENT:

Literature Distribution Center for ON Semiconductor
19521 E. 32nd Pkwy, Aurora, Colorado 80011 USA
Phone: 303-675-2175 or 800-344-3860 Toll Free USA/Canada
Fax: 303-675-2176 or 800-344-3867 Toll Free USA/Canada
Email: orderlit@onsemi.com

N. American Technical Support: 800-282-9855 Toll Free
USA/Canada
Europe, Middle East and Africa Technical Support:
Phone: 421 33 790 2910
Japan Customer Focus Center
Phone: 81-3-5817-1050

ON Semiconductor Website: www.onsemi.com
Order Literature: <http://www.onsemi.com/orderlit>
For additional information, please contact your local
Sales Representative

Mouser Electronics

Authorized Distributor

Click to View Pricing, Inventory, Delivery & Lifecycle Information:

[ON Semiconductor:](#)

[FOD8384](#) [FOD8384R2V](#) [FOD8384V](#) [FOD8384R2](#)



Компания «ЭлектроПласт» предлагает заключение долгосрочных отношений при поставках импортных электронных компонентов на взаимовыгодных условиях!

Наши преимущества:

- Оперативные поставки широкого спектра электронных компонентов отечественного и импортного производства напрямую от производителей и с крупнейших мировых складов;
- Поставка более 17-ти миллионов наименований электронных компонентов;
- Поставка сложных, дефицитных, либо снятых с производства позиций;
- Оперативные сроки поставки под заказ (от 5 рабочих дней);
- Экспресс доставка в любую точку России;
- Техническая поддержка проекта, помощь в подборе аналогов, поставка прототипов;
- Система менеджмента качества сертифицирована по Международному стандарту ISO 9001;
- Лицензия ФСБ на осуществление работ с использованием сведений, составляющих государственную тайну;
- Поставка специализированных компонентов (Xilinx, Altera, Analog Devices, Intersil, Interpoint, Microsemi, Aeroflex, Peregrine, Syfer, Eurofarad, Texas Instrument, Miteq, Cobham, E2V, MA-COM, Hittite, Mini-Circuits, General Dynamics и др.);

Помимо этого, одним из направлений компании «ЭлектроПласт» является направление «Источники питания». Мы предлагаем Вам помощь Конструкторского отдела:

- Подбор оптимального решения, техническое обоснование при выборе компонента;
- Подбор аналогов;
- Консультации по применению компонента;
- Поставка образцов и прототипов;
- Техническая поддержка проекта;
- Защита от снятия компонента с производства.



Как с нами связаться

Телефон: 8 (812) 309 58 32 (многоканальный)

Факс: 8 (812) 320-02-42

Электронная почта: org@eplast1.ru

Адрес: 198099, г. Санкт-Петербург, ул. Калинина, дом 2, корпус 4, литера А.