

4

3

2

1

This drawing involves proprietary design rights of Tyco Electronics Corporation, and all design, manufacture, reproduction, use and sale rights regarding the same are expressly reserved. It is submitted for a specific purpose and the recipient by accepting this drawing, assumes custody and control and agrees to take reasonable precautions: (a) that this drawing will not be copied and reproduced, in whole or in part, or its contents revealed in any manner, or to any person except to meet the purpose for which it was delivered and (b) that any special features peculiar to this design will not be incorporated in other projects without the expressed written permission of Tyco Electronics Corporation.

## REVISIONS

| EC  | REV | DESCRIPTION                         | DATE     |
|-----|-----|-------------------------------------|----------|
| CPR | A   | NEW RELEASE, PREVIOUSLY CUD 499-069 | 04/01/06 |

8. REFERENCE ELCON PART NUMBER 235-0163-01100.  
 7. SEE DRAWING C-1648132 FOR MATING PIN CONNECTOR.  
 6. ITEMS PROVIDED TO THIS SPECIFICATION TO BE PERMANENTLY IDENTIFIED PER THE FOLLOWING IDENTIFIER:

YEAR    WEEK  
 ┌───┬───┐  
 TYCO PART NUMBER      DATE CODE (e.g. 0625)  
 └───┬───┘      └───┘  
 XXXXXXXX-X      XXXX

5. ALL DIMENSIONS SHOWN ACROSS A CENTERLINE ( $\phi$ ) SHALL BE CENTRALIZED WITHIN THE TOLERANCE INDICATED FOR THAT DIMENSION.  
 4. A REFERENCE DIMENSION (.XXX) IS WITHOUT TOLERANCE AND USED FOR INFORMATION PURPOSE ONLY.

③ RECOMMENDED MOUNTING HARDWARE: TO BE ORDERED SEPARATELY.

- FOR PANEL MOUNTING, USE
  - 1650402-1: SHOULDER SCREW, #8-32
  - 1650106-1: SHOULDER SCREW, #6-32
  - 1650589-1: SHOULDER SCREW, M4X0.7
- FOR PCB MOUNTING, USE COMMERCIALLY AVAILABLE SCREW AND WASHER (IF REQUIRED).

## 2. MATERIALS:

HOUSING: THERMOPLASTIC, GLASS REINFORCED, COLOR-BLACK  
 UL94V-0 FLAMMABILITY RATED.




RETENTION CLIP: COPPER ALLOY OR STAINLESS STEEL

1. PART NUMBER CHANGES AND OR DESIGN CHANGES AFFECTING ITEM INTERCHANGEABILITY REQUIRE PRIOR TYCO APPROVAL AND AUTHORIZATION BY REVISION TO THIS DRAWING.

NOTES: UNLESS OTHERWISE SPECIFIED

1648133-1      AS SHOWN

PART NUMBER      DESCRIPTION

|  |                              |                  |   |  |
|--|------------------------------|------------------|---|--|
| <br>THIRD ANGLE PROJECTION<br>UNLESS OTHERWISE SPECIFIED DIMENSIONS ARE IN INCHES (METRIC)<br>TOLERANCES<br>ANGLES ± .5°<br>DECIMALS<br>.XXX ± .010 (.25)<br>.XX ± .02 (.3) | DRAWN<br>HA NGUYEN           | DATE<br>04/01/06 |  Tyco Electronics Corporation<br>Menlo Park, Ca 94025<br> |  |
|  | CHECKED                      |                  |   | TITLE<br>CONNECTOR, SOCKET HOUSING<br>SIZE 4X#12, 36X#20<br>2-36-2 SQUARE DRAWER |
|  | APPROVED                     |                  |   | SIZE DWG NUMBER<br>B C = 1648133   |
|  | APPROVED<br>STEVE FLICKINGER | 04/01/06         |   | REV.<br>A  |
|  | DCA APPROVED<br>HA NGUYEN    | 04/01/06         |   |  |
|  | ACAD FILE NUMBER             | C1648133A.DWG    | DWG SCALE 1=1 SH 1 OF 3   |  |

4

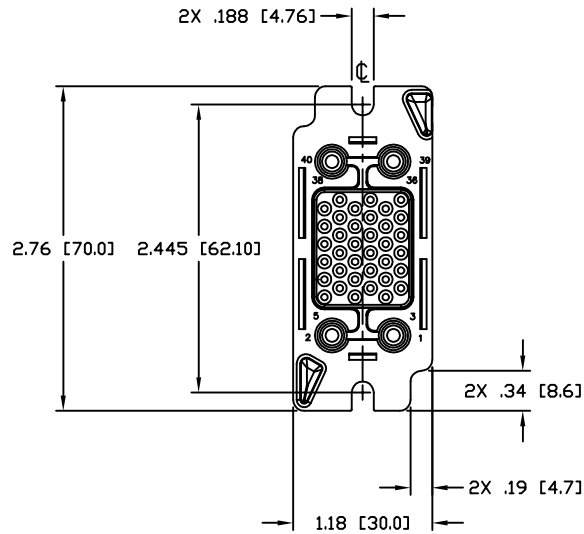
3

2

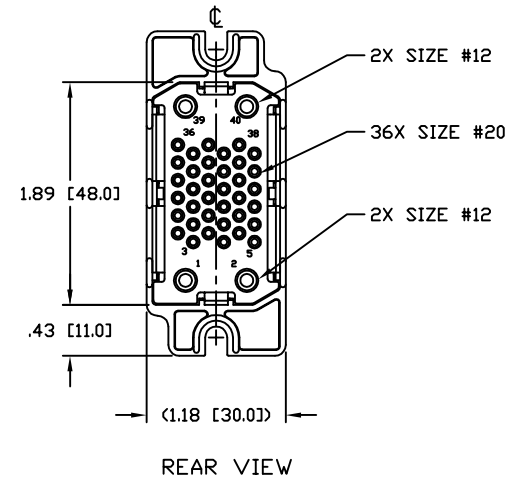
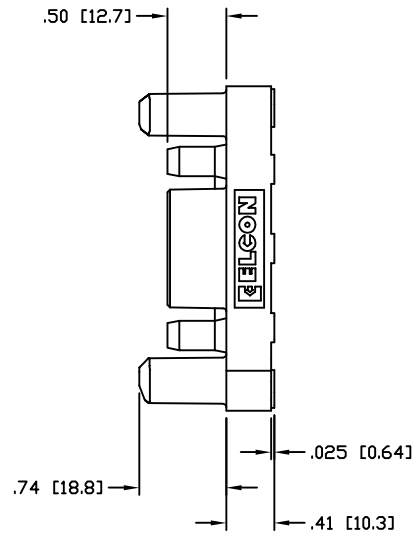
1

This drawing involves proprietary design rights of Tyco Electronics Corporation, and all design, manufacture, reproduction, use and sale rights regarding the same are expressly reserved. It is submitted for a specific purpose and the recipient by accepting this drawing, assumes custody and control and agrees to take reasonable precautions: (a) that this drawing will not be copied and reproduced, in whole or in part, or its contents revealed in any manner, or to any person except to meet the purpose for which it was delivered and (b) that any special features peculiar to this design will not be incorporated in other projects without the expressed written permission of Tyco Electronics Corporation.

| REVISIONS |     |             |      |
|-----------|-----|-------------|------|
| EC        | REV | DESCRIPTION | DATE |
|           |     | SEE SHEET 1 |      |



FRONT VIEW

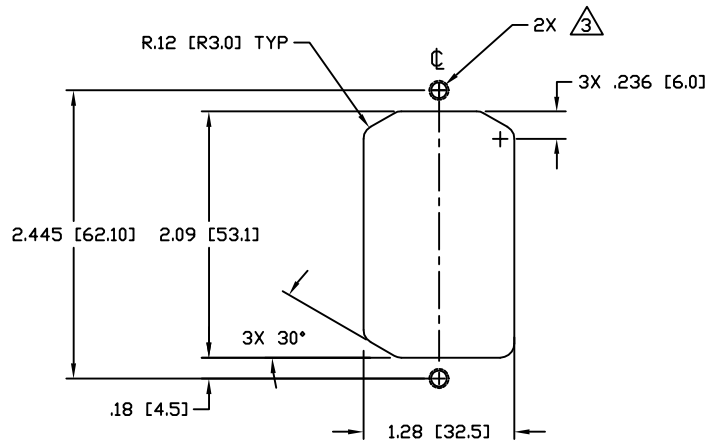


REAR VIEW

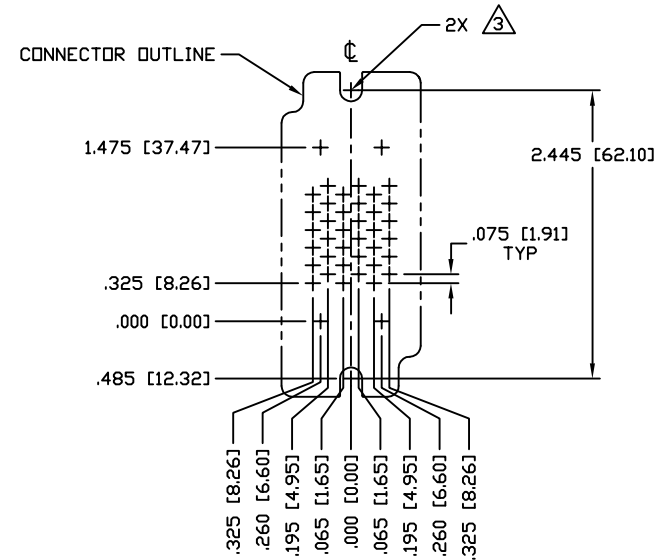
|  |                  |               |   |
|--|------------------|---------------|---|
| INCH OR INCH (MM)<br><br>THIRD ANGLE PROJECTION<br>UNLESS OTHERWISE SPECIFIED DIMENSIONS ARE IN INCHES (METRIC)<br>TOLERANCES<br>ANGLES ± .5°<br>DECIMALS<br>.XXX ± .010 (.25)<br>.XX ± .02 (.3) | DRAWN            | DATE          | Tyco Electronics Corporation<br>Menlo Park, Ca 94025                    |
|  | HA NGUYEN        | 04/01/06      |   |
|  | CHECKED          |               | TITLE   |
|  | APPROVED         |               | CONNECTOR, SOCKET HOUSING<br>SIZE 4X#12, 36X#20<br>2-36-2 SQUARE DRAWER |
|  | APPROVED         |               | SIZE DWG NUMBER   |
|  | STEVE FLICKINGER | 04/01/06      | B C = 1648133   |
|  | DCA APPROVED     |               | REV.  |
|  | HA NGUYEN        | 04/01/06      | A   |
|  | ACAD FILE NUMBER | C1648133A.DWG | DWG SCALE 1=1 SH 2 OF 3   |

This drawing involves proprietary design rights of Tyco Electronics Corporation, and all design, manufacture, reproduction, use and sale rights regarding the same are expressly reserved. It is submitted for a specific purpose and the recipient by accepting this drawing, assumes custody and control and agrees to take reasonable precautions: (a) that this drawing will not be copied and reproduced, in whole or in part, or its contents revealed in any manner, or to any person except to meet the purpose for which it was delivered and (b) that any special features peculiar to this design will not be incorporated in other projects without the expressed written permission of Tyco Electronics Corporation.

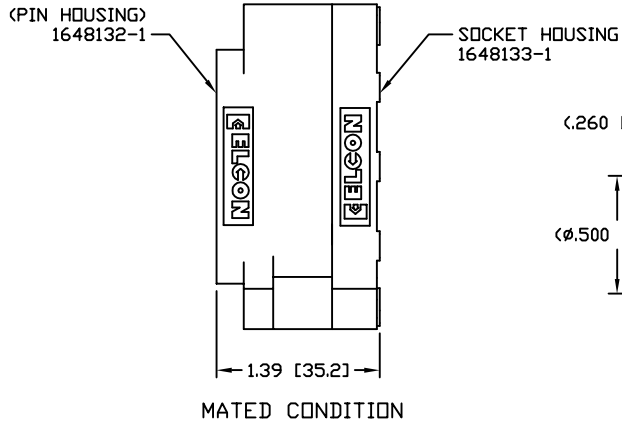
| REVISIONS |     |             |      |
|-----------|-----|-------------|------|
| EC        | REV | DESCRIPTION | DATE |
|           |     | SEE SHEET 1 |      |



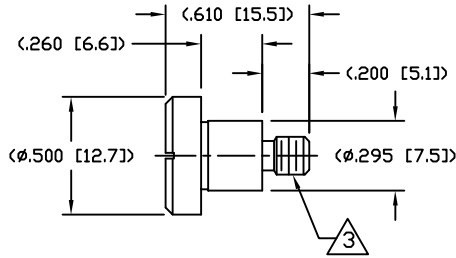
RECOMMENDED PANEL CUTOUT  
AS VIEWED FROM CONNECTOR MOUNTING SIDE  
(FRONT VIEW)



RECOMMENDED CONTACT LAYOUT  
AS VIEWED FROM CONNECTOR MOUNTING SIDE  
(FRONT VIEW)



MATED CONDITION



SHOULDER SCREW  
SCALE 2:1  
SHOWN FOR REFERENCE ONLY

|  |                                       |                  |  |   |
|--|---------------------------------------|------------------|--|---|
| INCH OR INCH (MM)<br><br>THIRD ANGLE PROJECTION<br>UNLESS OTHERWISE SPECIFIED DIMENSIONS ARE IN INCHES (METRIC)<br>TOLERANCES<br>ANGLES ± .5°<br>DECIMALS<br>.XXX ± .010 (.25)<br>.XX ± .02 (.3) | DRAWN<br>HA NGUYEN                    | DATE<br>04/01/06 | Tyco Electronics Corporation<br>Menlo Park, Ca 94025<br> |   |
|  | CHECKED                               |                  |  | TITLE<br>USER INFORMATION<br>RECOMMENDED PANEL CUTOUT<br>CONTACT LAYOUT & MATED CONDITION |
|  | APPROVED<br>STEVE FLICKINGER          | DATE<br>04/01/06 | SIZE<br>B  | DWG NUMBER<br>C = 1648133   |
|  | APPROVED<br>DCA APPROVED<br>HA NGUYEN | DATE<br>04/01/06 | DWG SCALE<br>1=1   | REV.<br>A   |
| ACAD FILE NUMBER<br>C1648133A.DWG  | DWG SCALE<br>1=1                      |                  | SH 3 OF 3  |   |



Компания «ЭлектроПласт» предлагает заключение долгосрочных отношений при поставках импортных электронных компонентов на взаимовыгодных условиях!

Наши преимущества:

- Оперативные поставки широкого спектра электронных компонентов отечественного и импортного производства напрямую от производителей и с крупнейших мировых складов;
- Поставка более 17-ти миллионов наименований электронных компонентов;
- Поставка сложных, дефицитных, либо снятых с производства позиций;
- Оперативные сроки поставки под заказ (от 5 рабочих дней);
- Экспресс доставка в любую точку России;
- Техническая поддержка проекта, помощь в подборе аналогов, поставка прототипов;
- Система менеджмента качества сертифицирована по Международному стандарту ISO 9001;
- Лицензия ФСБ на осуществление работ с использованием сведений, составляющих государственную тайну;
- Поставка специализированных компонентов (Xilinx, Altera, Analog Devices, Intersil, Interpoint, Microsemi, Aeroflex, Peregrine, Syfer, Eurofarad, Texas Instrument, Miteq, Cobham, E2V, MA-COM, Hittite, Mini-Circuits, General Dynamics и др.);

Помимо этого, одним из направлений компании «ЭлектроПласт» является направление «Источники питания». Мы предлагаем Вам помощь Конструкторского отдела:

- Подбор оптимального решения, техническое обоснование при выборе компонента;
- Подбор аналогов;
- Консультации по применению компонента;
- Поставка образцов и прототипов;
- Техническая поддержка проекта;
- Защита от снятия компонента с производства.



#### Как с нами связаться

**Телефон:** 8 (812) 309 58 32 (многоканальный)

**Факс:** 8 (812) 320-02-42

**Электронная почта:** [org@eplast1.ru](mailto:org@eplast1.ru)

**Адрес:** 198099, г. Санкт-Петербург, ул. Калинина, дом 2, корпус 4, литера А.