



**PICkit™ Serial I<sup>2</sup>C™  
Demo Board  
User's Guide**

---

**Note the following details of the code protection feature on Microchip devices:**

- Microchip products meet the specification contained in their particular Microchip Data Sheet.
- Microchip believes that its family of products is one of the most secure families of its kind on the market today, when used in the intended manner and under normal conditions.
- There are dishonest and possibly illegal methods used to breach the code protection feature. All of these methods, to our knowledge, require using the Microchip products in a manner outside the operating specifications contained in Microchip's Data Sheets. Most likely, the person doing so is engaged in theft of intellectual property.
- Microchip is willing to work with the customer who is concerned about the integrity of their code.
- Neither Microchip nor any other semiconductor manufacturer can guarantee the security of their code. Code protection does not mean that we are guaranteeing the product as "unbreakable."

Code protection is constantly evolving. We at Microchip are committed to continuously improving the code protection features of our products. Attempts to break Microchip's code protection feature may be a violation of the Digital Millennium Copyright Act. If such acts allow unauthorized access to your software or other copyrighted work, you may have a right to sue for relief under that Act.

---

Information contained in this publication regarding device applications and the like is provided only for your convenience and may be superseded by updates. It is your responsibility to ensure that your application meets with your specifications. MICROCHIP MAKES NO REPRESENTATIONS OR WARRANTIES OF ANY KIND WHETHER EXPRESS OR IMPLIED, WRITTEN OR ORAL, STATUTORY OR OTHERWISE, RELATED TO THE INFORMATION, INCLUDING BUT NOT LIMITED TO ITS CONDITION, QUALITY, PERFORMANCE, MERCHANTABILITY OR FITNESS FOR PURPOSE. Microchip disclaims all liability arising from this information and its use. Use of Microchip devices in life support and/or safety applications is entirely at the buyer's risk, and the buyer agrees to defend, indemnify and hold harmless Microchip from any and all damages, claims, suits, or expenses resulting from such use. No licenses are conveyed, implicitly or otherwise, under any Microchip intellectual property rights.

**Trademarks**

The Microchip name and logo, the Microchip logo, Accuron, dsPIC, KEELOQ, KEELOQ logo, microID, MPLAB, PIC, PICmicro, PICSTART, PRO MATE, PowerSmart, rfPIC, and SmartShunt are registered trademarks of Microchip Technology Incorporated in the U.S.A. and other countries.


AmpLab, FilterLab, Linear Active Thermistor, Migratable Memory, MXDEV, MXLAB, PS logo, SEEVAL, SmartSensor and The Embedded Control Solutions Company are registered trademarks of Microchip Technology Incorporated in the U.S.A.

Analog-for-the-Digital Age, Application Maestro, CodeGuard, dsPICDEM, dsPICDEM.net, dsPICworks, ECAN, ECONOMONITOR, FanSense, FlexROM, fuzzyLAB, In-Circuit Serial Programming, ICSP, ICEPIC, Mindi, MiWi, MPASM, MPLAB Certified logo, MPLIB, MPLINK, PICkit, PICDEM, PICDEM.net, PICLAB, PICtail, PowerCal, PowerInfo, PowerMate, PowerTool, REAL ICE, rFLAB, rfPICDEM, Select Mode, Smart Serial, SmartTel, Total Endurance, UNI/O, WiperLock and ZENA are trademarks of Microchip Technology Incorporated in the U.S.A. and other countries.

SQTP is a service mark of Microchip Technology Incorporated in the U.S.A.

All other trademarks mentioned herein are property of their respective companies.

© 2007, Microchip Technology Incorporated, Printed in the U.S.A., All Rights Reserved.

 Printed on recycled paper.

*Microchip received ISO/TS-16949:2002 certification for its worldwide headquarters, design and wafer fabrication facilities in Chandler and Tempe, Arizona, Gresham, Oregon and Mountain View, California. The Company's quality system processes and procedures are for its PIC<sup>®</sup> MCUs and dsPIC<sup>®</sup> DSCs, KEELOQ<sup>®</sup> code hopping devices, Serial EEPROMs, microperipherals, nonvolatile memory and analog products. In addition, Microchip's quality system for the design and manufacture of development systems is ISO 9001:2000 certified.*

**QUALITY MANAGEMENT SYSTEM  
CERTIFIED BY DNV  
== ISO/TS 16949:2002 ==**



# PICKit™ SERIAL I<sup>2</sup>C™ DEMO BOARD USER'S GUIDE

---

---

## Table of Contents

---

---

<b>Preface</b> .....	<b>1</b>
Introduction.....	1
Document Layout .....	1
Conventions Used in this Guide .....	2
Recommended Reading.....	3
The Microchip Web Site .....	3
Customer Support .....	3
Document Revision History .....	4
<b>Chapter 1. Product Overview</b> .....	<b>5</b>
1.1 Introduction .....	5
1.2 Highlights .....	5
1.3 I <sup>2</sup> C Serial Communications .....	6
1.4 What The PICKit™ Serial I <sup>2</sup> C™ Demo Board Kit Includes .....	6
<b>Chapter 2. Installation and Operation</b> .....	<b>7</b>
2.1 I <sup>2</sup> C Demo Board Operation .....	7
2.2 Devices .....	8
<b>Appendix A. Schematic and Layouts</b> .....	<b>9</b>
A.1 Introduction .....	9
A.2 Board - Schematic .....	10
A.3 Board - Top Silk Layer .....	11
A.4 Board - Top Layer .....	11
A.5 Board - Bottom Layer .....	11
<b>Appendix B. Bill Of Materials (BOM)</b> .....	<b>13</b>
<b>Worldwide Sales and Service</b> .....	<b>14</b>

# PICKit™ Serial I<sup>2</sup>C™ Demo Board User's Guide

---

NOTES:



# PICKit™ SERIAL I<sup>2</sup>C™ DEMO BOARD USER'S GUIDE

---

---

## Preface

---

---

### NOTICE TO CUSTOMERS

All documentation becomes dated, and this manual is no exception. Microchip tools and documentation are constantly evolving to meet customer needs, so some actual dialogs and/or tool descriptions may differ from those in this document. Please refer to our web site ([www.microchip.com](http://www.microchip.com)) to obtain the latest documentation available.

Documents are identified with a “DS” number. This number is located on the bottom of each page, in front of the page number. The numbering convention for the DS number is “DSXXXXA”, where “XXXX” is the document number and “A” is the revision level of the document.

For the most up-to-date information on development tools, see the MPLAB® IDE on-line help. Select the Help menu, and then Topics to open a list of available on-line help files.

## INTRODUCTION

This chapter contains general information that will be useful to know before using the PICKit™ Serial I<sup>2</sup>C™ Demo Board. Items discussed in this chapter include:

- Document Layout
- Conventions Used in this Guide
- Recommended Reading
- The Microchip Web Site
- Customer Support
- Document Revision History

## DOCUMENT LAYOUT

This document describes how to use the PICKit™ Serial I<sup>2</sup>C™ Demo Board as a development tool. The manual layout is as follows:

- **Chapter 1. “Product Overview”** – Important information about the PICKit™ Serial I<sup>2</sup>C™ Demo Board.
- **Chapter 2. “Installation and Operation”** – Includes instructions on how to use the PICKit™ Serial I<sup>2</sup>C™ Demo Board.
- **Appendix A. “Schematic and Layouts”** – Shows the schematic and layout diagrams for the PICKit™ Serial I<sup>2</sup>C™ Demo Board.
- **Appendix B. “Bill Of Materials (BOM)”** – Lists the parts used to build the PICKit™ Serial I<sup>2</sup>C™ Demo Board.

# PICkit™ Serial I<sup>2</sup>C™ Demo Board User's Guide

## CONVENTIONS USED IN THIS GUIDE

This manual uses the following documentation conventions:

### DOCUMENTATION CONVENTIONS

Description	Represents	Examples
<b>Arial font:</b>		
Italic characters	Referenced books	<i>MPLAB® IDE User's Guide</i>
	Emphasized text	...is the <i>only</i> compiler...
Initial caps	A window	the Output window
	A dialog	the Settings dialog
	A menu selection	select Enable Programmer
Quotes	A field name in a window or dialog	"Save project before build"
Underlined, italic text with right angle bracket	A menu path	<u><i>File&gt;Save</i></u>
Bold characters	A dialog button	Click <b>OK</b>
	A tab	Click the <b>Power</b> tab
N'Rnnnn	A number in verilog format, where N is the total number of digits, R is the radix and n is a digit.	4'b0010, 2'hF1
Text in angle brackets < >	A key on the keyboard	Press <Enter>, <F1>
<b>Courier New font:</b>		
Plain Courier New	Sample source code	#define START
	Filenames	autoexec.bat
	File paths	c:\mcc18\h
	Keywords	_asm, _endasm, static
	Command-line options	-Opa+, -Opa-
	Bit values	0, 1
	Constants	0xFF, 'A'
Italic Courier New	A variable argument	<i>file.o</i> , where <i>file</i> can be any valid filename
Square brackets [ ]	Optional arguments	mcc18 [options] <i>file</i> [options]
Curly brackets and pipe character: {   }	Choice of mutually exclusive arguments; an OR selection	errorlevel {0 1}
Ellipses...	Replaces repeated text	var_name [, var_name...]
	Represents code supplied by user	void main (void) { ... }

## RECOMMENDED READING

This user's guide describes how to use PICKit™ Serial I<sup>2</sup>C™ Demo Board. Other useful documents are listed below. The following Microchip documents are available and recommended as supplemental reference resources.

**24AA02/24LC02B Data Sheet, "2K I<sup>2</sup>C Serial EEPROM" (DS21709)**

This data sheet provides detailed information regarding the 24LC02B family.

**MCP9800/1/2/3 Data Sheet, "2-Wire High-Accuracy Temperature Sensor" (DS21909)**

This data sheet provides detailed information regarding the MCP9801 product.

**MCP3221 Data Sheet, "Low Power 12-Bit A/D Converter w/I<sup>2</sup>C Interface" (DS21732)**

This data sheet provides detailed information regarding the MCP3221 product.

**TC1321 Data Sheet, "10-Bit Digital-to-Analog Converter w/Two-Wire Interface" (DS21387)**

This data sheet provides detailed information regarding the TC1321 product.

**MCP23008/MCP23S08 Data Sheet, "8-Bit I/O Expander with Serial Interface" (DS21919)**

This data sheet provides detailed information regarding the MCP23008/MCP23S08 product.

**MCP1525/41 Data Sheet, "2.5V and 4.096V Voltage Reference" (DS21653)**

This data sheet provides detailed information regarding the MCP1525/41 product.

## THE MICROCHIP WEB SITE

Microchip provides online support via our web site at [www.microchip.com](http://www.microchip.com). This web site is used as a means to make files and information easily available to customers. Accessible by using your favorite Internet browser, the web site contains the following information:

- **Product Support** – Data sheets and errata, application notes and sample programs, design resources, user's guides and hardware support documents, latest software releases and archived software
- **General Technical Support** – Frequently Asked Questions (FAQs), technical support requests, online discussion groups, Microchip consultant program member listing
- **Business of Microchip** – Product selector and ordering guides, latest Microchip press releases, listing of seminars and events, listings of Microchip sales offices, distributors and factory representatives

## CUSTOMER SUPPORT

Users of Microchip products can receive assistance through several channels:

- Distributor or Representative
- Local Sales Office
- Field Application Engineer (FAE)
- Technical Support

Customers should contact their distributor, representative or field application engineer for support. Local sales offices are also available to help customers. A listing of sales offices and locations is included in the back of this document.

Technical support is available through the web site at: <http://support.microchip.com>

# PICkit™ Serial I<sup>2</sup>C™ Demo Board User's Guide

---

---

## DOCUMENT REVISION HISTORY

### Revision A (May 2007)

- Initial Release of this Document.



## Chapter 1. Product Overview

### 1.1 INTRODUCTION

The PICKit™ Serial I<sup>2</sup>C™ Demo Board demonstrates I<sup>2</sup>C serial communications and operation of the following devices:

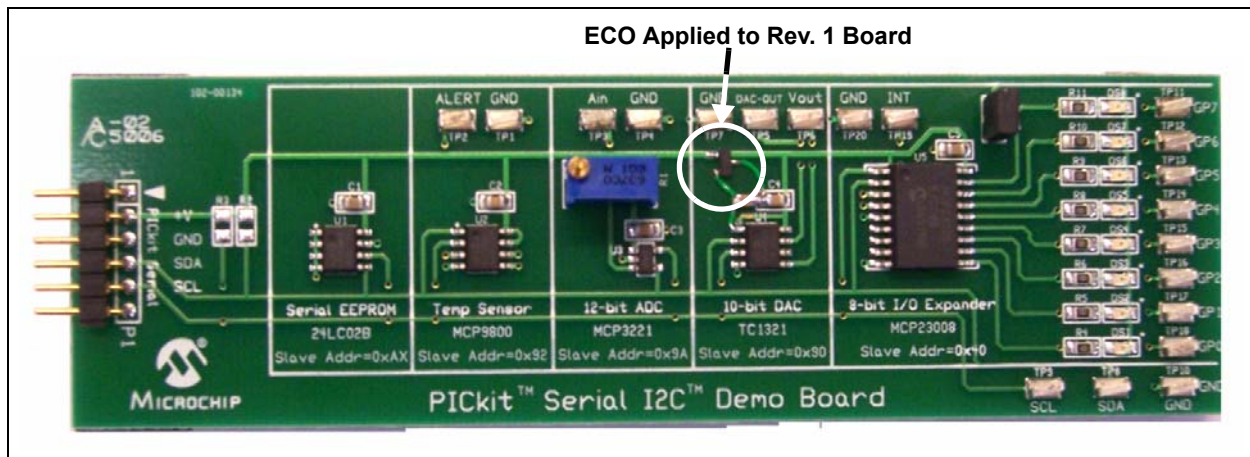
- 24LC02B - 2Kbit Serial EEPROM
- MCP9801 - High-Accuracy Temperature Sensor
- MCP3221 - Low-Power 12-Bit A/D Converter
- TC1321 - 10-Bit Digital-to-Analog Converter
- MCP23008 - 8-Bit I/O Expander

The PICKit™ Serial I<sup>2</sup>C™ Demo Board was designed to easily connect to the PICKit Serial Analyzer (DV164122). The PICKit Serial Analyzer provides the I<sup>2</sup>C master mode serial communications and power. The PICKit™ Serial I<sup>2</sup>C™ Demo Board devices all operate in the I<sup>2</sup>C slave mode. The PICKit™ Serial I<sup>2</sup>C™ Demo Board can easily be connected to virtually any demo or development board by connecting the communications lines to connector P1.

### 1.2 HIGHLIGHTS

This chapter discusses:

- I<sup>2</sup>C Serial Communications
- I<sup>2</sup>C Demo Board Operation
- I<sup>2</sup>C Demo Board Devices



**FIGURE 1-1:** PICKit™ Serial I<sup>2</sup>C™ Demo Board.

**Note:** Figure 1-1 shows the Rev. 1 board with an ECO (Engineering Change Notice) applied to it. The Rev. 1 board with ECO and the Rev. 2 board are electrically the same. Refer to **Appendix A. “Schematic and Layouts”** for Rev. 2 schematics and board layouts.

# PICKit™ Serial I<sup>2</sup>C™ Demo Board User's Guide

---

## 1.3 I<sup>2</sup>C SERIAL COMMUNICATIONS

It is assumed that the user is familiar with I<sup>2</sup>C Serial Communications. For more information see:

- The I<sup>2</sup>C-Bus Specification Version 2.1 January 2000 is available from NXP Semiconductor (formally Philips Semiconductor) website at [http://www.nxp.com/acrobat\\_download/literature/9398/39340011.pdf](http://www.nxp.com/acrobat_download/literature/9398/39340011.pdf)
- An I<sup>2</sup>C Master Communications tutorial is available on the Microchip Technology website. Click on the links: Support --> Getting Started --> PIC MCU Tutorials --> I<sup>2</sup>C Master Mode
- Several application notes are available on the Microchip Technology website. Click on links: Design --> App Notes --> Function: Communications --> I<sup>2</sup>C

## 1.4 WHAT THE PICKit™ SERIAL I<sup>2</sup>C™ DEMO BOARD KIT INCLUDES

This PICKit™ Serial I<sup>2</sup>C™ Demo Board Kit includes:

- PICKit™ Serial I<sup>2</sup>C™ Demo Board (102-00134)
- Analog and Interface Products Demonstration Boards CD-ROM (DS21912)
  - PICKit™ Serial I<sup>2</sup>C™ Demo Board User's Guide (DS51657)

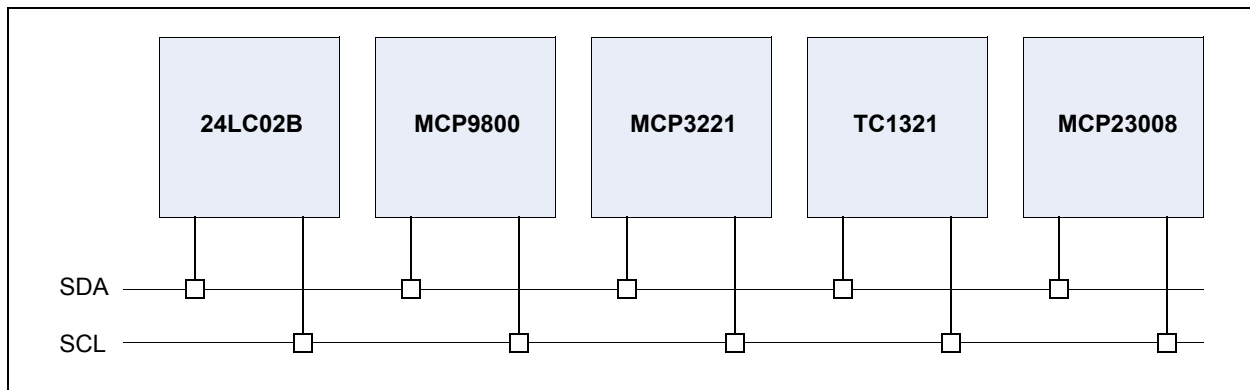
## Chapter 2. Installation and Operation

### 2.1 I<sup>2</sup>C DEMO BOARD OPERATION

The PICKit™ Serial I<sup>2</sup>C™ Demo Board was designed to easily connect to the PICKit Serial Analyzer (DV164122). Refer to the PICKit Serial Analyzer User's Guide (DS51647) chapter on I<sup>2</sup>C Master Communications mode for configuration and operation information of the PICKit Serial Analyzer.

The PICKit Serial Analyzer provides the I<sup>2</sup>C master mode serial communications and power. The PICKit™ Serial I<sup>2</sup>C™ Demo Board devices all operate in the I<sup>2</sup>C slave mode. Figure 2-1 shows the PICKit™ Serial I<sup>2</sup>C™ Demo Board block diagram.

Pull-up resistors R2 and R3 are not populated. The PICKit Serial Analyzer can be configured to enable internal pull-up resistors. When using the PICKit Serial Analyzer, enable internal pull-up resistors. Or resistors R2 and R3 can be populated by the user for use with other development boards or the PICKit Serial Analyzer internal pull-up resistors disabled.



**FIGURE 2-1:** PICKit™ Serial I<sup>2</sup>C™ Demo Board Block Diagram.

Connector P1 connects to the PICKit Serial Analyzer or virtually any demo or development board. Connector P1 pin assignments are listed in Table 2-1.

**TABLE 2-1: I<sup>2</sup>C DEMO BOARD CONNECTOR P1 PIN ASSIGNMENTS**

Pin	Label	Type	Description
1	—	—	No Connection
2	+V	Power	Power
3	GND	Ground	Ground
4	SDA	Input/Output	Serial Data
5	SCL	Input	Serial Clock
6	—	—	No Connection

## 2.2 DEVICES

### 2.2.1 24LC02B 2Kbit Serial EEPROM

The 24LC02B is a 2Kbit Serial EEPROM. Refer to the 24AA02/24LC02B Data Sheet (DS21709) for complete information. The slave address is 0xAX (where x = any value). Data can be read or written to the 24LC02B.

### 2.2.2 MCP9801 High-Accuracy Temperature Sensor

The MCP9801 is a High-Accuracy Temperature Sensor. Refer to the MCP9800/MCP9801 Data Sheet (DS21909) for complete information. The slave address is 0x92.

The temperature can be read from the MCP9801. Test points **ALERT** and **GND** provide signals that can be read using a voltmeter or oscilloscope.

### 2.2.3 MCP3221 Low-Power 12-Bit A/D Converter

The MCP3221 is a Low Power 12-Bit A/D Converter. Refer to the MCP3221 Data Sheet (DS21732) for complete information. The slave address is 0x9A.

Potentiometer R1 is configured as a voltage divider (see schematic in **Appendix A. "Schematic and Layouts"**). The wiper is connected to the input. The voltage can be read by the MCP3221 and can be verified using an volt meter on test points **A<sub>IN</sub>** and **GND**.

### 2.2.4 TC1321 10-Bit Digital-to-Analog Converter

The TC1321 is a 10-Bit Digital-to-Analog Converter. Refer to the TC1321 Data Sheet (DS21387) for complete information. The slave address is 0x90.

The  $V_{REF}$  signal is generated by a MCP1525 2.5 Voltage Reference. The DAC output voltage swing ( $V_{SW}$ ) will be between 0 - 2.5V.

The output of the TC1321 can be measured using a volt meter at test points **V<sub>OUT</sub>**, **DAC-OUT**, and **GND**.

### 2.2.5 MCP23008 8-Bit I/O Expander

The MCP23008 is an 8-bit I/O Expander. Refer to the MCP23008/MCP23S08 Data Sheet (DS21919) for complete information. The slave address is 0x40.

The output of the MCP23008 drives LEDs **DS1** through **DS8**. The LEDs provide an easy to see indication of the MCP23008 operation. Jumper **JP1** must be closed using a 2-pin shunt for the LEDs to operate. The LEDs can be disabled by removing **JP1**.

The output of the MCP23008 is connected to test points **GP0** through **GP7** and **GND**. These test points can be monitored by a volt meter or connected to an external device. LEDs **DS1** through **DS8** can be used to monitor the output by closing **JP1** with a 2-pin shunt or disable by removing **JP1**.



# PICKit™ SERIAL I<sup>2</sup>C™ DEMO BOARD USER'S GUIDE

---

---

## Appendix A. Schematic and Layouts

---

---

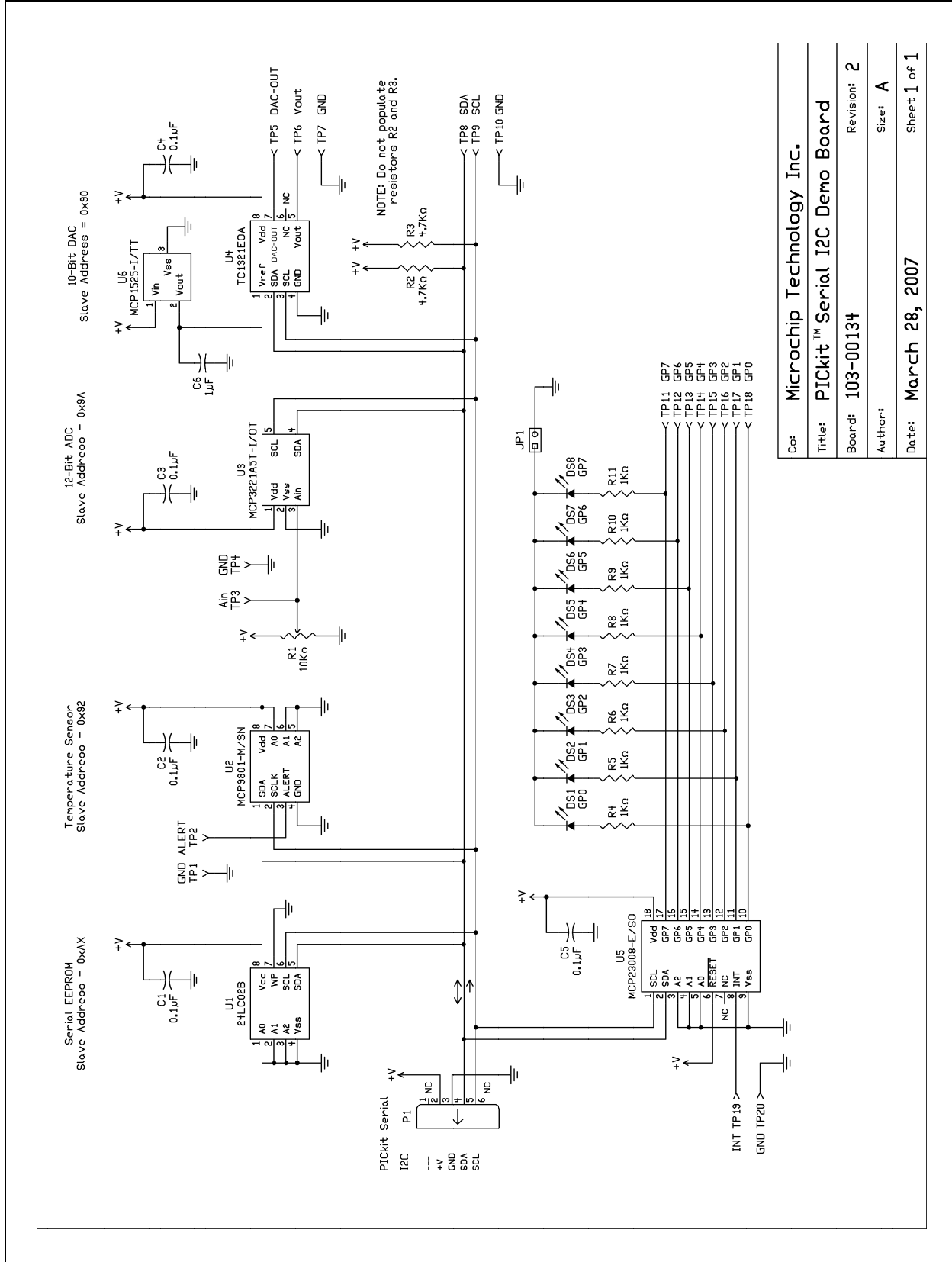
### A.1 INTRODUCTION

This appendix contains the following schematics and layouts for the PICKit™ Serial I<sup>2</sup>C™ Demo Board User's Guide:

- Board – Schematic
- Board – Top Silk Layer
- Board – Top Metal Layer
- Board – Bottom Metal Layer

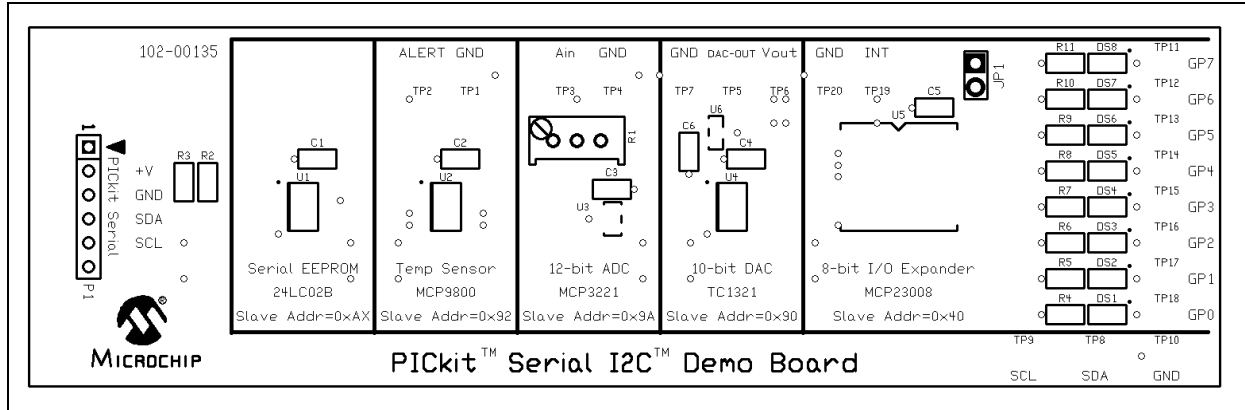
# PICkit™ Serial I<sup>2</sup>C™ Demo Board User's Guide

## A.2 BOARD - SCHEMATIC

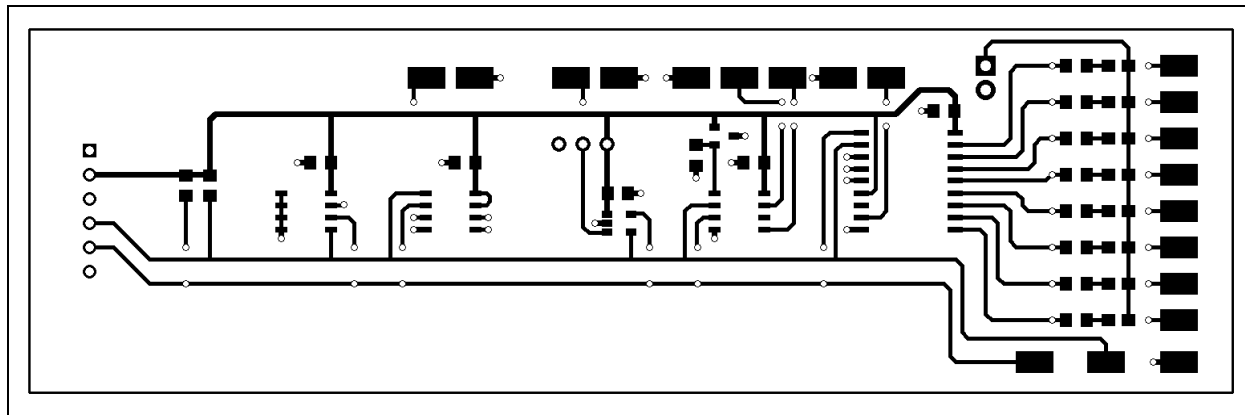


Co:	Microchip Technology Inc.
Title:	PICkit™ Serial I2C Demo Board
Board:	103-00134
Author:	Revision: 2
Date:	Size: A
	March 28, 2007
	Sheet 1 of 1

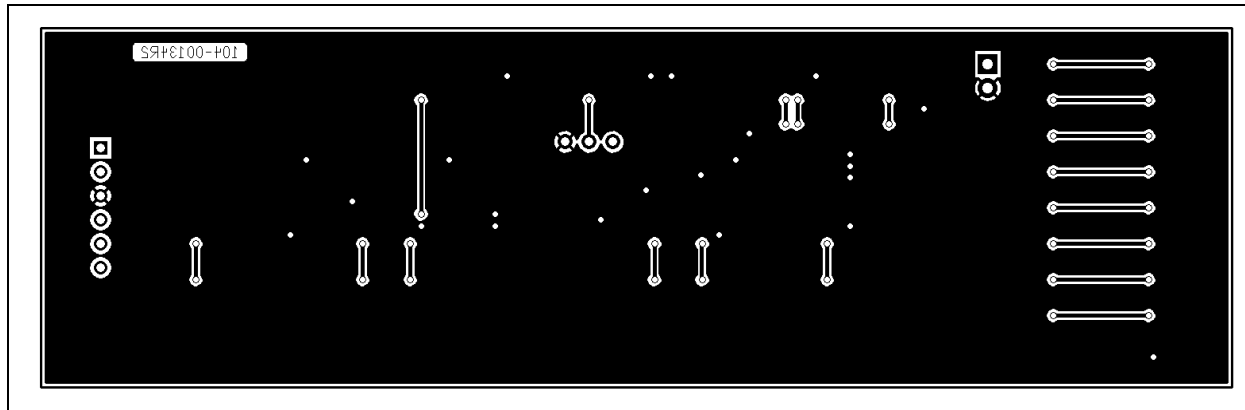
## A.3 BOARD - TOP SILK LAYER



## A.4 BOARD - TOP LAYER



## A.5 BOARD - BOTTOM LAYER



# PICKit™ Serial I<sup>2</sup>C™ Demo Board User's Guide

---

---

NOTES:





# PICKit™ SERIAL I<sup>2</sup>C™ DEMO BOARD USER'S GUIDE

## Appendix B. Bill Of Materials (BOM)

**TABLE B-1: BILL OF MATERIALS (BOM)**

Qty	Reference	Description	Manufacturer	Part Number
5	C1, C2, C3, C4, C5	CAP .1UF 16V CERAMIC X7R 0805	Panasonic® - ECG	ECJ-2VB1C104K
1	C6	1UF 10V CERAMIC X7R 0805	Kemet	C0805C105K8RACTU
8	DS1, DS2, DS3, DS4, DS5, DS6, DS7, DS8	LED RED ORANGE CLEAR 0805 SMD	LITE-ON INC	LTST-C170EKT
4	EA Corner	BUMPON SQUARE .40X.10 BLACK	3M	SJ-5007 (BLACK)
1	JP1	CONN HEADER 2POS .100 VERT TIN	Molex/Waldom Electronics Corp	22-28-4020
1	JP1	CONN JUMPER SHORTING GOLD FLASH	Sullins Electronics Corp.	SPC02SYAN
1	PCB	RoHS Compliant Bare PCB, PICKit Serial I2C demo board	—	104-00134
1	P1	CONN HEADER 6POS .100 R/A GOLD	Molex/Waldom Electronics Corp	22-28-8062
1	R1	POT 10K OHM 3/8" SQ CERM SL MT	Bourns Inc.	3296W-1-103LF
2	R2, R3	DO NOT POPULATE	—	—
8	R4, R5, R6, R7, R8, R9, R10, R11	RES 1.0K OHM 1/8W 5% 0805 SMD	Panasonic - ECG	ERJ-6GEYJ102V
20	TP1 - TP20	TEST POINT PC COMPACT SMT	Keystone Electronics®	5016
1	U1	IC SERIAL EEPROM 2K 2.5V 8-SOIC	Microchip Technology Inc.	24LC02B-I/SN
1	U2	2-Wire High-Accuracy Temperature Sensor	Microchip Technology Inc.	MCP9800-M/SN
1	U3	Low Power 12-Bit A/D Converter With I2C™ Interface	Microchip Technology Inc.	MCP3221A5T-I/OT
1	U4	10-Bit Digital-to-Analog Converter with Two-Wire Interface	Microchip Technology Inc.	TC1321EOA
1	U5	8-Bit I/O Expander with Serial Interface	Microchip Technology Inc.	MCP23008-E/SO
1	U6	MCP1525, 2.5V Voltage Reference	Microchip Technology Inc.	MCP1525-I/TT

**Note 1:** The components listed in this Bill of Materials are representative of the PCB assembly. The released BOM used in manufacturing uses all RoHS-compliant components.



---

## WORLDWIDE SALES AND SERVICE

---

### AMERICAS

**Corporate Office**  
2355 West Chandler Blvd.  
Chandler, AZ 85224-6199  
Tel: 480-792-7200  
Fax: 480-792-7277  
Technical Support:  
<http://support.microchip.com>  
Web Address:  
[www.microchip.com](http://www.microchip.com)

**Atlanta**  
Duluth, GA  
Tel: 678-957-9614  
Fax: 678-957-1455

**Boston**  
Westborough, MA  
Tel: 774-760-0087  
Fax: 774-760-0088

**Chicago**  
Itasca, IL  
Tel: 630-285-0071  
Fax: 630-285-0075

**Dallas**  
Addison, TX  
Tel: 972-818-7423  
Fax: 972-818-2924

**Detroit**  
Farmington Hills, MI  
Tel: 248-538-2250  
Fax: 248-538-2260

**Kokomo**  
Kokomo, IN  
Tel: 765-864-8360  
Fax: 765-864-8387

**Los Angeles**  
Mission Viejo, CA  
Tel: 949-462-9523  
Fax: 949-462-9608

**Santa Clara**  
Santa Clara, CA  
Tel: 408-961-6444  
Fax: 408-961-6445

**Toronto**  
Mississauga, Ontario,  
Canada  
Tel: 905-673-0699  
Fax: 905-673-6509

### ASIA/PACIFIC

**Asia Pacific Office**  
Suites 3707-14, 37th Floor  
Tower 6, The Gateway  
Harbour City, Kowloon  
Hong Kong  
Tel: 852-2401-1200  
Fax: 852-2401-3431

**Australia - Sydney**  
Tel: 61-2-9868-6733  
Fax: 61-2-9868-6755

**China - Beijing**  
Tel: 86-10-8528-2100  
Fax: 86-10-8528-2104

**China - Chengdu**  
Tel: 86-28-8665-5511  
Fax: 86-28-8665-7889

**China - Fuzhou**  
Tel: 86-591-8750-3506  
Fax: 86-591-8750-3521

**China - Hong Kong SAR**  
Tel: 852-2401-1200  
Fax: 852-2401-3431

**China - Qingdao**  
Tel: 86-532-8502-7355  
Fax: 86-532-8502-7205

**China - Shanghai**  
Tel: 86-21-5407-5533  
Fax: 86-21-5407-5066

**China - Shenyang**  
Tel: 86-24-2334-2829  
Fax: 86-24-2334-2393

**China - Shenzhen**  
Tel: 86-755-8203-2660  
Fax: 86-755-8203-1760

**China - Shunde**  
Tel: 86-757-2839-5507  
Fax: 86-757-2839-5571

**China - Wuhan**  
Tel: 86-27-5980-5300  
Fax: 86-27-5980-5118

**China - Xian**  
Tel: 86-29-8833-7250  
Fax: 86-29-8833-7256

### ASIA/PACIFIC

**India - Bangalore**  
Tel: 91-80-4182-8400  
Fax: 91-80-4182-8422

**India - New Delhi**  
Tel: 91-11-4160-8631  
Fax: 91-11-4160-8632

**India - Pune**  
Tel: 91-20-2566-1512  
Fax: 91-20-2566-1513

**Japan - Yokohama**  
Tel: 81-45-471-6166  
Fax: 81-45-471-6122

**Korea - Gumi**  
Tel: 82-54-473-4301  
Fax: 82-54-473-4302

**Korea - Seoul**  
Tel: 82-2-554-7200  
Fax: 82-2-558-5932 or  
82-2-558-5934

**Malaysia - Penang**  
Tel: 60-4-646-8870  
Fax: 60-4-646-5086

**Philippines - Manila**  
Tel: 63-2-634-9065  
Fax: 63-2-634-9069

**Singapore**  
Tel: 65-6334-8870  
Fax: 65-6334-8850

**Taiwan - Hsin Chu**  
Tel: 886-3-572-9526  
Fax: 886-3-572-6459

**Taiwan - Kaohsiung**  
Tel: 886-7-536-4818  
Fax: 886-7-536-4803

**Taiwan - Taipei**  
Tel: 886-2-2500-6610  
Fax: 886-2-2508-0102

**Thailand - Bangkok**  
Tel: 66-2-694-1351  
Fax: 66-2-694-1350

### EUROPE

**Austria - Wels**  
Tel: 43-7242-2244-39  
Fax: 43-7242-2244-393

**Denmark - Copenhagen**  
Tel: 45-4450-2828  
Fax: 45-4485-2829

**France - Paris**  
Tel: 33-1-69-53-63-20  
Fax: 33-1-69-30-90-79

**Germany - Munich**  
Tel: 49-89-627-144-0  
Fax: 49-89-627-144-44

**Italy - Milan**  
Tel: 39-0331-742611  
Fax: 39-0331-466781

**Netherlands - Drunen**  
Tel: 31-416-690399  
Fax: 31-416-690340

**Spain - Madrid**  
Tel: 34-91-708-08-90  
Fax: 34-91-708-08-91

**UK - Wokingham**  
Tel: 44-118-921-5869  
Fax: 44-118-921-5820



Компания «ЭлектроПласт» предлагает заключение долгосрочных отношений при поставках импортных электронных компонентов на взаимовыгодных условиях!

Наши преимущества:

- Оперативные поставки широкого спектра электронных компонентов отечественного и импортного производства напрямую от производителей и с крупнейших мировых складов;
- Поставка более 17-ти миллионов наименований электронных компонентов;
- Поставка сложных, дефицитных, либо снятых с производства позиций;
- Оперативные сроки поставки под заказ (от 5 рабочих дней);
- Экспресс доставка в любую точку России;
- Техническая поддержка проекта, помощь в подборе аналогов, поставка прототипов;
- Система менеджмента качества сертифицирована по Международному стандарту ISO 9001;
- Лицензия ФСБ на осуществление работ с использованием сведений, составляющих государственную тайну;
- Поставка специализированных компонентов (Xilinx, Altera, Analog Devices, Intersil, Interpoint, Microsemi, Aeroflex, Peregrine, Syfer, Eurofarad, Texas Instrument, Miteq, Cobham, E2V, MA-COM, Hittite, Mini-Circuits, General Dynamics и др.);

Помимо этого, одним из направлений компании «ЭлектроПласт» является направление «Источники питания». Мы предлагаем Вам помощь Конструкторского отдела:

- Подбор оптимального решения, техническое обоснование при выборе компонента;
- Подбор аналогов;
- Консультации по применению компонента;
- Поставка образцов и прототипов;
- Техническая поддержка проекта;
- Защита от снятия компонента с производства.



#### Как с нами связаться

**Телефон:** 8 (812) 309 58 32 (многоканальный)

**Факс:** 8 (812) 320-02-42

**Электронная почта:** [org@eplast1.ru](mailto:org@eplast1.ru)

**Адрес:** 198099, г. Санкт-Петербург, ул. Калинина, дом 2, корпус 4, литера А.