

Arm<sup>®</sup>-based 32-bit MCU, 150 DMIPs, up to 1 MB Flash/128+4KB RAM, USB OTG HS/FS, Ethernet, 17 TIMs, 3 ADCs, 15 comm. interfaces and camera

Datasheet - production data

## Features

- Core: Arm<sup>®</sup> 32-bit Cortex<sup>®</sup>-M3 CPU (120 MHz max) with Adaptive real-time accelerator (ART Accelerator<sup>™</sup>) allowing 0-wait state execution performance from Flash memory, MPU, 150 DMIPS/1.25 DMIPS/MHz (Dhrystone 2.1)
- Memories
  - Up to 1 Mbyte of Flash memory
  - 512 bytes of OTP memory
  - Up to 128 + 4 Kbytes of SRAM
  - Flexible static memory controller that supports Compact Flash, SRAM, PSRAM, NOR and NAND memories
  - LCD parallel interface, 8080/6800 modes
- Clock, reset and supply management
  - From 1.8 to 3.6 V application supply + I/Os
  - POR, PDR, PVD and BOR
  - 4 to 26 MHz crystal oscillator
  - Internal 16 MHz factory-trimmed RC
  - 32 kHz oscillator for RTC with calibration
  - Internal 32 kHz RC with calibration
- Low-power modes
  - Sleep, Stop and Standby modes
  - V<sub>BAT</sub> supply for RTC, 20 × 32 bit backup registers, and optional 4 Kbytes backup SRAM
- 3 × 12-bit, 0.5 μs ADCs with up to 24 channels and up to 6 MSPS in triple interleaved mode
- 2 × 12-bit D/A converters
- General-purpose DMA: 16-stream controller with centralized FIFOs and burst support
- Up to 17 timers
  - Up to twelve 16-bit and two 32-bit timers, up to 120 MHz, each with up to four IC/OC/PWM or pulse counter and quadrature (incremental) encoder input
- Debug mode: Serial wire debug (SWD), JTAG, and Cortex<sup>®</sup>-M3 Embedded Trace Macrocell<sup>™</sup>



- Up to 140 I/O ports with interrupt capability:
  - Up to 136 fast I/Os up to 60 MHz
  - Up to 138 5 V-tolerant I/Os
- Up to 15 communication interfaces
  - Up to three I<sup>2</sup>C interfaces (SMBus/PMBus)
  - Up to four USARTs and two UARTs (7.5 Mbit/s, ISO 7816 interface, LIN, IrDA, modem control)
  - Up to three SPIs (30 Mbit/s), two with muxed I<sup>2</sup>S to achieve audio class accuracy via audio PLL or external PLL
  - 2 × CAN interfaces (2.0B Active)
  - SDIO interface
- Advanced connectivity
  - USB 2.0 full-speed device/host/OTG controller with on-chip PHY
  - USB 2.0 high-speed/full-speed device/host/OTG controller with dedicated DMA, on-chip full-speed PHY and ULPI
  - 10/100 Ethernet MAC with dedicated DMA: supports IEEE 1588v2 hardware, MII/RMII
- 8- to 14-bit parallel camera interface (48 Mbyte/s max.)
- CRC calculation unit
- 96-bit unique ID

Table 1. Device summary

Reference	Part numbers
STM32F205xx	STM32F205RB, STM32F205RC, STM32F205RE, STM32F205RF, STM32F205RG STM32F205VB, STM32F205VC, STM32F205VE, STM32F205VF, STM32F205VG STM32F205ZC, STM32F205ZE, STM32F205ZF, STM32F205ZG
STM32F207xx	STM32F207IC, STM32F207IE, STM32F207IF, STM32F207IG STM32F207VC, STM32F207VE, STM32F207VF, STM32F207VG STM32F207ZC, STM32F207ZE, STM32F207ZF, STM32F207ZG

# Contents

<b>1</b>	<b>Introduction</b>	<b>12</b>
<b>2</b>	<b>Description</b>	<b>13</b>
2.1	Full compatibility throughout the family	17
<b>3</b>	<b>Functional overview</b>	<b>20</b>
3.1	Arm® Cortex®-M3 core with embedded Flash and SRAM	20
3.2	Adaptive real-time memory accelerator (ART Accelerator™)	20
3.3	Memory protection unit	20
3.4	Embedded Flash memory	21
3.5	CRC (cyclic redundancy check) calculation unit	21
3.6	Embedded SRAM	21
3.7	Multi-AHB bus matrix	21
3.8	DMA controller (DMA)	22
3.9	Flexible static memory controller (FSMC)	23
3.10	Nested vectored interrupt controller (NVIC)	23
3.11	External interrupt/event controller (EXTI)	24
3.12	Clocks and startup	24
3.13	Boot modes	24
3.14	Power supply schemes	24
3.15	Power supply supervisor	25
3.16	Voltage regulator	25
3.16.1	Regulator ON	25
3.16.2	Regulator OFF	26
3.16.3	Regulator ON/OFF and internal reset ON/OFF availability	29
3.17	Real-time clock (RTC), backup SRAM and backup registers	30
3.18	Low-power modes	30
3.19	V <sub>BAT</sub> operation	31
3.20	Timers and watchdogs	31
3.20.1	Advanced-control timers (TIM1, TIM8)	32
3.20.2	General-purpose timers (TIMx)	33
3.20.3	Basic timers TIM6 and TIM7	33

3.20.4	Independent watchdog	33
3.20.5	Window watchdog	34
3.20.6	SysTick timer	34
3.21	Inter-integrated circuit interface (I <sup>2</sup> C)	34
3.22	Universal synchronous/asynchronous receiver transmitters (UARTs/USARTs)	34
3.23	Serial peripheral interface (SPI)	35
3.24	Inter-integrated sound (I <sup>2</sup> S)	35
3.25	SDIO	35
3.26	Ethernet MAC interface with dedicated DMA and IEEE 1588 support	36
3.27	Controller area network (CAN)	36
3.28	Universal serial bus on-the-go full-speed (OTG_FS)	36
3.29	Universal serial bus on-the-go high-speed (OTG_HS)	37
3.30	Audio PLL (PLLI2S)	37
3.31	Digital camera interface (DCMI)	38
3.32	True random number generator (RNG)	38
3.33	GPIOs (general-purpose inputs/outputs)	38
3.34	ADCs (analog-to-digital converters)	38
3.35	DAC (digital-to-analog converter)	39
3.36	Temperature sensor	39
3.37	Serial wire JTAG debug port (SWJ-DP)	39
3.38	Embedded Trace Macrocell™	40
<b>4</b>	<b>Pinouts and pin description</b>	<b>41</b>
<b>5</b>	<b>Memory mapping</b>	<b>65</b>
<b>6</b>	<b>Electrical characteristics</b>	<b>67</b>
6.1	Parameter conditions	67
6.1.1	Minimum and maximum values	67
6.1.2	Typical values	67
6.1.3	Typical curves	67
6.1.4	Loading capacitor	67
6.1.5	Pin input voltage	67
6.1.6	Power supply scheme	68

6.1.7	Current consumption measurement	69
6.2	Absolute maximum ratings	69
6.3	Operating conditions	70
6.3.1	General operating conditions	70
6.3.2	VCAP1/VCAP2 external capacitor	73
6.3.3	Operating conditions at power-up / power-down (regulator ON)	74
6.3.4	Operating conditions at power-up / power-down (regulator OFF)	74
6.3.5	Embedded reset and power control block characteristics	75
6.3.6	Supply current characteristics	76
6.3.7	Wakeup time from Low-power mode	87
6.3.8	External clock source characteristics	88
6.3.9	Internal clock source characteristics	91
6.3.10	PLL characteristics	93
6.3.11	PLL spread spectrum clock generation (SSCG) characteristics	95
6.3.12	Memory characteristics	97
6.3.13	EMC characteristics	99
6.3.14	Absolute maximum ratings (electrical sensitivity)	100
6.3.15	I/O current injection characteristics	101
6.3.16	I/O port characteristics	102
6.3.17	NRST pin characteristics	107
6.3.18	TIM timer characteristics	108
6.3.19	Communications interfaces	109
6.3.20	12-bit ADC characteristics	121
6.3.21	DAC electrical characteristics	125
6.3.22	Temperature sensor characteristics	127
6.3.23	V <sub>BAT</sub> monitoring characteristics	128
6.3.24	Embedded reference voltage	128
6.3.25	FSMC characteristics	128
6.3.26	Camera interface (DCMI) timing specifications	146
6.3.27	SD/SDIO MMC card host interface (SDIO) characteristics	146
6.3.28	RTC characteristics	147
<b>7</b>	<b>Package information</b>	<b>148</b>
7.1	LQFP64 package information	148
7.2	WLCSP64+2 package information	151
7.3	LQFP100 package information	153

---

7.4	LQFP144 package information .....	156
7.5	LQFP176 package information .....	160
7.6	UFBGA176+25 package information .....	163
7.7	Thermal characteristics .....	166
<b>8</b>	<b>Ordering information .....</b>	<b>167</b>
<b>9</b>	<b>Revision history .....</b>	<b>168</b>

## List of tables

Table 1.	Device summary . . . . .	2
Table 2.	STM32F205xx features and peripheral counts . . . . .	14
Table 3.	STM32F207xx features and peripheral counts . . . . .	15
Table 4.	Regulator ON/OFF and internal reset ON/OFF availability . . . . .	29
Table 5.	Timer feature comparison . . . . .	31
Table 6.	USART feature comparison . . . . .	35
Table 7.	Legend/abbreviations used in the pinout table . . . . .	45
Table 8.	STM32F20x pin and ball definitions . . . . .	46
Table 9.	FSMC pin definition . . . . .	57
Table 10.	Alternate function mapping . . . . .	59
Table 11.	Voltage characteristics . . . . .	69
Table 12.	Current characteristics . . . . .	70
Table 13.	Thermal characteristics . . . . .	70
Table 14.	General operating conditions . . . . .	70
Table 15.	Limitations depending on the operating power supply range . . . . .	72
Table 16.	VCAP1/VCAP2 operating conditions . . . . .	73
Table 17.	Operating conditions at power-up / power-down (regulator ON) . . . . .	74
Table 18.	Operating conditions at power-up / power-down (regulator OFF) . . . . .	74
Table 19.	Embedded reset and power control block characteristics . . . . .	75
Table 20.	Typical and maximum current consumption in Run mode, code with data processing running from Flash memory (ART accelerator enabled) or RAM . . . . .	77
Table 21.	Typical and maximum current consumption in Run mode, code with data processing running from Flash memory (ART accelerator disabled) . . . . .	78
Table 22.	Typical and maximum current consumption in Sleep mode . . . . .	81
Table 23.	Typical and maximum current consumptions in Stop mode . . . . .	83
Table 24.	Typical and maximum current consumptions in Standby mode . . . . .	84
Table 25.	Typical and maximum current consumptions in V <sub>BAT</sub> mode . . . . .	84
Table 26.	Peripheral current consumption . . . . .	85
Table 27.	Low-power mode wakeup timings . . . . .	87
Table 28.	High-speed external user clock characteristics . . . . .	88
Table 29.	Low-speed external user clock characteristics . . . . .	88
Table 30.	HSE 4-26 MHz oscillator characteristics . . . . .	90
Table 31.	LSE oscillator characteristics (f <sub>LSE</sub> = 32.768 kHz) . . . . .	91
Table 32.	HSI oscillator characteristics . . . . .	91
Table 33.	LSI oscillator characteristics . . . . .	92
Table 34.	Main PLL characteristics . . . . .	93
Table 35.	PLLI2S (audio PLL) characteristics . . . . .	94
Table 36.	SSCG parameters constraint . . . . .	95
Table 37.	Flash memory characteristics . . . . .	97
Table 38.	Flash memory programming . . . . .	97
Table 39.	Flash memory programming with V <sub>PP</sub> . . . . .	98
Table 40.	Flash memory endurance and data retention . . . . .	98
Table 41.	EMS characteristics . . . . .	99
Table 42.	EMI characteristics . . . . .	100
Table 43.	ESD absolute maximum ratings . . . . .	100
Table 44.	Electrical sensitivities . . . . .	101
Table 45.	I/O current injection susceptibility . . . . .	101
Table 46.	I/O static characteristics . . . . .	102

Table 47.	Output voltage characteristics	104
Table 48.	I/O AC characteristics	105
Table 49.	NRST pin characteristics	107
Table 50.	Characteristics of TIMx connected to the APB1 domain	108
Table 51.	Characteristics of TIMx connected to the APB2 domain	108
Table 52.	I <sup>2</sup> C characteristics	109
Table 53.	SCL frequency ( $f_{PCLK1} = 30 \text{ MHz}, V_{DD} = 3.3 \text{ V}$ )	111
Table 54.	SPI characteristics	111
Table 55.	I <sup>2</sup> S characteristics	114
Table 56.	USB OTG FS startup time	116
Table 57.	USB OTG FS DC electrical characteristics	116
Table 58.	USB OTG FS electrical characteristics	117
Table 59.	USB HS DC electrical characteristics	117
Table 60.	Clock timing parameters	117
Table 61.	ULPI timing	118
Table 62.	Ethernet DC electrical characteristics	118
Table 63.	Dynamics characteristics: Ethernet MAC signals for SMI	119
Table 64.	Dynamics characteristics: Ethernet MAC signals for RMII	119
Table 65.	Dynamics characteristics: Ethernet MAC signals for MII	120
Table 66.	ADC characteristics	121
Table 67.	ADC accuracy	122
Table 68.	DAC characteristics	125
Table 69.	Temperature sensor characteristics	127
Table 70.	V <sub>BAT</sub> monitoring characteristics	128
Table 71.	Embedded internal reference voltage	128
Table 72.	Asynchronous non-multiplexed SRAM/PSRAM/NOR read timings	129
Table 73.	Asynchronous non-multiplexed SRAM/PSRAM/NOR write timings	130
Table 74.	Asynchronous multiplexed PSRAM/NOR read timings	131
Table 75.	Asynchronous multiplexed PSRAM/NOR write timings	132
Table 76.	Synchronous multiplexed NOR/PSRAM read timings	134
Table 77.	Synchronous multiplexed PSRAM write timings	135
Table 78.	Synchronous non-multiplexed NOR/PSRAM read timings	136
Table 79.	Synchronous non-multiplexed PSRAM write timings	137
Table 80.	Switching characteristics for PC Card/CF read and write cycles in attribute/common space	142
Table 81.	Switching characteristics for PC Card/CF read and write cycles in I/O space	143
Table 82.	Switching characteristics for NAND Flash read cycles	145
Table 83.	Switching characteristics for NAND Flash write cycles	146
Table 84.	DCMI characteristics	146
Table 85.	SD/MMC characteristics	147
Table 86.	RTC characteristics	147
Table 87.	LQFP64 mechanical data	148
Table 88.	WLCSP64+2 mechanical data	151
Table 89.	WLCSP64+2 recommended PCB design rules (0.4 mm pitch)	152
Table 90.	LQPF100 mechanical data	153
Table 91.	LQFP144 mechanical data	157
Table 92.	LQFP176 mechanical data	160
Table 93.	UFBGA176+25 mechanical data	163
Table 94.	UFBGA176+25 recommended PCB design rules (0.65 mm pitch BGA)	164
Table 95.	Package thermal characteristics	166
Table 96.	Document revision history	168



## List of figures

Figure 1.	Compatible board design between STM32F10x and STM32F2xx for LQFP64 package. . . . .	17
Figure 2.	Compatible board design between STM32F10x and STM32F2xx for LQFP100 package. . . . .	18
Figure 3.	Compatible board design between STM32F10x and STM32F2xx for LQFP144 package. . . . .	18
Figure 4.	STM32F20x block diagram. . . . .	19
Figure 5.	Multi-AHB matrix. . . . .	22
Figure 6.	Regulator OFF / internal reset ON . . . . .	27
Figure 7.	Regulator OFF / internal reset OFF . . . . .	28
Figure 8.	Startup in regulator OFF: slow $V_{DD}$ slope, power-down reset risen after $V_{CAP\_1}/V_{CAP\_2}$ stabilization . . . . .	29
Figure 9.	Startup in regulator OFF: fast $V_{DD}$ slope, power-down reset risen before $V_{CAP\_1}/V_{CAP\_2}$ stabilization. . . . .	29
Figure 10.	STM32F20x LQFP64 pinout. . . . .	41
Figure 11.	STM32F20x WLCSP64+2 ballout. . . . .	41
Figure 12.	STM32F20x LQFP100 pinout. . . . .	42
Figure 13.	STM32F20x LQFP144 pinout. . . . .	43
Figure 14.	STM32F20x LQFP176 pinout. . . . .	44
Figure 15.	STM32F20x UFBGA176 ballout . . . . .	45
Figure 16.	Memory map . . . . .	66
Figure 17.	Pin loading conditions. . . . .	67
Figure 18.	Pin input voltage . . . . .	67
Figure 19.	Power supply scheme . . . . .	68
Figure 20.	Current consumption measurement scheme . . . . .	69
Figure 21.	Number of wait states versus $f_{CPU}$ and $V_{DD}$ range. . . . .	73
Figure 22.	External capacitor $C_{EXT}$ . . . . .	73
Figure 23.	Typical current consumption vs. temperature, Run mode, code with data processing running from RAM, and peripherals ON . . . . .	79
Figure 24.	Typical current consumption vs. temperature, Run mode, code with data processing running from RAM, and peripherals OFF . . . . .	79
Figure 25.	Typical current consumption vs. temperature, Run mode, code with data processing running from Flash, ART accelerator OFF, peripherals ON . . . . .	80
Figure 26.	Typical current consumption vs. temperature, Run mode, code with data processing running from Flash, ART accelerator OFF, peripherals OFF . . . . .	80
Figure 27.	Typical current consumption vs. temperature in Sleep mode, peripherals ON . . . . .	82
Figure 28.	Typical current consumption vs. temperature in Sleep mode, peripherals OFF . . . . .	82
Figure 29.	Typical current consumption vs. temperature in Stop mode. . . . .	83
Figure 30.	High-speed external clock source AC timing diagram . . . . .	89
Figure 31.	Low-speed external clock source AC timing diagram . . . . .	89
Figure 32.	Typical application with an 8 MHz crystal . . . . .	90
Figure 33.	Typical application with a 32.768 kHz crystal . . . . .	91
Figure 34.	$ACC_{HSI}$ versus temperature . . . . .	92
Figure 35.	$ACC_{LSI}$ versus temperature . . . . .	93
Figure 36.	PLL output clock waveforms in center spread mode . . . . .	96
Figure 37.	PLL output clock waveforms in down spread mode . . . . .	96

Figure 38.	FT I/O input characteristics . . . . .	103
Figure 39.	I/O AC characteristics definition . . . . .	106
Figure 40.	Recommended NRST pin protection . . . . .	107
Figure 41.	I <sup>2</sup> C bus AC waveforms and measurement circuit . . . . .	110
Figure 42.	SPI timing diagram - Slave mode and CPHA = 0 . . . . .	112
Figure 43.	SPI timing diagram - Slave mode and CPHA = 1 . . . . .	113
Figure 44.	SPI timing diagram - Master mode . . . . .	113
Figure 45.	I <sup>2</sup> S slave timing diagram (Philips protocol) <sup>(1)</sup> . . . . .	115
Figure 46.	I <sup>2</sup> S master timing diagram (Philips protocol) <sup>(1)</sup> . . . . .	115
Figure 47.	USB OTG FS timings: definition of data signal rise and fall time . . . . .	117
Figure 48.	ULPI timing diagram . . . . .	118
Figure 49.	Ethernet SMI timing diagram . . . . .	119
Figure 50.	Ethernet RMII timing diagram . . . . .	119
Figure 51.	Ethernet MII timing diagram . . . . .	120
Figure 52.	ADC accuracy characteristics . . . . .	123
Figure 53.	Typical connection diagram using the ADC . . . . .	123
Figure 54.	Power supply and reference decoupling ( $V_{REF+}$ not connected to $V_{DDA}$ ) . . . . .	124
Figure 55.	Power supply and reference decoupling ( $V_{REF+}$ connected to $V_{DDA}$ ) . . . . .	125
Figure 56.	12-bit buffered/non-buffered DAC . . . . .	127
Figure 57.	Asynchronous non-multiplexed SRAM/PSRAM/NOR read waveforms . . . . .	129
Figure 58.	Asynchronous non-multiplexed SRAM/PSRAM/NOR write waveforms . . . . .	130
Figure 59.	Asynchronous multiplexed PSRAM/NOR read waveforms . . . . .	131
Figure 60.	Asynchronous multiplexed PSRAM/NOR write waveforms . . . . .	132
Figure 61.	Synchronous multiplexed NOR/PSRAM read timings . . . . .	134
Figure 62.	Synchronous multiplexed PSRAM write timings . . . . .	135
Figure 63.	Synchronous non-multiplexed NOR/PSRAM read timings . . . . .	136
Figure 64.	Synchronous non-multiplexed PSRAM write timings . . . . .	137
Figure 65.	PC Card/CompactFlash controller waveforms for common memory read access . . . . .	139
Figure 66.	PC Card/CompactFlash controller waveforms for common memory write access . . . . .	139
Figure 67.	PC Card/CompactFlash controller waveforms for attribute memory read access . . . . .	140
Figure 68.	PC Card/CompactFlash controller waveforms for attribute memory write access . . . . .	141
Figure 69.	PC Card/CompactFlash controller waveforms for I/O space read access . . . . .	141
Figure 70.	PC Card/CompactFlash controller waveforms for I/O space write access . . . . .	142
Figure 71.	NAND controller waveforms for read access . . . . .	144
Figure 72.	NAND controller waveforms for write access . . . . .	144
Figure 73.	NAND controller waveforms for common memory read access . . . . .	145
Figure 74.	NAND controller waveforms for common memory write access . . . . .	145
Figure 75.	SDIO high-speed mode . . . . .	146
Figure 76.	SD default mode . . . . .	147
Figure 77.	LQFP64 outline . . . . .	148
Figure 78.	LQFP64 recommended footprint . . . . .	149
Figure 79.	Device marking (package top view) . . . . .	150
Figure 80.	WLCSP64+2 outline . . . . .	151
Figure 81.	WLCSP64+2 recommended footprint . . . . .	152
Figure 82.	LQFP100 outline . . . . .	153
Figure 83.	LQFP100 recommended footprint . . . . .	154
Figure 84.	LQFP100 marking (package top view) . . . . .	155
Figure 85.	LQFP144 outline . . . . .	156

Figure 86. LQFP144 recommended footprint ..... 158  
Figure 87. LQFP144 marking (package top view) ..... 159  
Figure 88. LQFP176 outline ..... 160  
Figure 89. LQFP176 recommended footprint ..... 162  
Figure 90. UFBGA176+25 outline ..... 163  
Figure 91. UFBGA176+25 recommended footprint ..... 164  
Figure 92. UFBGA176+25 marking (package top view) ..... 165

# 1 Introduction

This datasheet provides the description of the STM32F205xx and STM32F207xx lines of microcontrollers, based on Arm<sup>®(a)</sup> cores. For more details on the whole STMicroelectronics STM32 family refer to [Section 2.1: Full compatibility throughout the family](#).

The STM32F205xx and STM32F207xx datasheet must be read in conjunction with the STM32F20x/STM32F21x reference manual. They will be referred to as STM32F20x devices throughout the document.

For information on programming, erasing and protection of the internal Flash memory, refer to the STM32F20x/STM32F21x Flash programming manual (PM0059).

The reference and Flash programming manuals are both available from the STMicroelectronics website [www.st.com](http://www.st.com).

For information on the Cortex<sup>®</sup>-M3 core refer to the Cortex<sup>®</sup>-M3 Technical Reference Manual, available from the [www.arm.com](http://www.arm.com) website.



arm

---

a. Arm is a registered trademark of Arm Limited (or its subsidiaries) in the US and/or elsewhere.

## 2 Description

The STM32F20x family is based on the high-performance Arm® Cortex®-M3 32-bit RISC core operating at a frequency of up to 120 MHz. The family incorporates high-speed embedded memories (Flash memory up to 1 Mbyte, up to 128 Kbytes of system SRAM), up to 4 Kbytes of backup SRAM, and an extensive range of enhanced I/Os and peripherals connected to two APB buses, three AHB buses and a 32-bit multi-AHB bus matrix.

The devices also feature an adaptive real-time memory accelerator (ART Accelerator™) that allows to achieve a performance equivalent to 0 wait state program execution from Flash memory at a CPU frequency up to 120 MHz. This performance has been validated using the CoreMark® benchmark.

All devices offer three 12-bit ADCs, two DACs, a low-power RTC, twelve general-purpose 16-bit timers including two PWM timers for motor control, two general-purpose 32-bit timers, a true number random generator (RNG). They also feature standard and advanced communication interfaces. New advanced peripherals include an SDIO, an enhanced flexible static memory control (FSMC) interface (for devices offered in packages of 100 pins and more), and a camera interface for CMOS sensors. The devices also feature standard peripherals.

- Up to three I<sup>2</sup>Cs
- Three SPIs, two I<sup>2</sup>Ss. To achieve audio class accuracy, the I<sup>2</sup>S peripherals can be clocked via a dedicated internal audio PLL or via an external PLL to allow synchronization.
- Four USARTs and two UARTs
- A USB OTG high-speed with full-speed capability (with the ULPI)
- A second USB OTG (full-speed)
- Two CANs
- An SDIO interface
- Ethernet and camera interface available on STM32F207xx devices only.

The STM32F205xx and STM32F207xx devices operate in the –40 to +105 °C temperature range from a 1.8 V to 3.6 V power supply. On devices in WLCSP64+2 package, if IRROFF is set to V<sub>DD</sub>, the supply voltage can drop to 1.7 V when the device operates in the 0 to 70 °C temperature range using an external power supply supervisor (see [Section 3.16](#)).

A comprehensive set of power-saving modes enables the design of low-power applications.

STM32F205xx and STM32F207xx devices are offered in various packages, ranging from 64 to 176 pins. The set of included peripherals changes with the chosen device. These features make the STM32F205xx and STM32F207xx microcontroller family suitable for a wide range of applications:

- Motor drive and application control
- Medical equipment
- Industrial applications: PLC, inverters, circuit breakers
- Printers, and scanners
- Alarm systems, video intercom, and HVAC
- Home audio appliances

[Figure 4](#) shows the general block diagram of the device family.



Table 2. STM32F205xx features and peripheral counts

Peripherals		STM32F205Rx					STM32F205Vx					STM32F205Zx			
Flash memory in Kbytes		128	256	512	768	1024	128	256	512	768	1024	256	512	768	1024
SRAM in Kbytes	System (SRAM1+SRAM2)	64 (48+16)	96 (80+16)	128 (112+16)			64 (48+16)	96 (80+16)	128 (112+16)			96 (80+16)	128 (112+16)		
	Backup	4					4					4			
FSMC memory controller		No					Yes <sup>(1)</sup>								
Ethernet		No													
Timers	General-purpose	10													
	Advanced-control	2													
	Basic	2													
	IWDG	Yes													
	WWDG	Yes													
RTC		Yes													
Random number generator		Yes													
Comm. interfaces	SPI/I <sup>2</sup> S	3/(2) <sup>(2)</sup>													
	I <sup>2</sup> C	3													
	USART	4													
	UART	2													
	USB OTG FS	Yes													
	USB OTG HS	Yes													
	CAN	2													
Camera interface		No													
GPIOs		51					82					114			
SDIO		Yes													
12-bit ADC		3													
Number of channels		16					16					24			
12-bit DAC		Yes													
Number of channels		2													
Maximum CPU frequency		120 MHz													
Operating voltage		1.8 V to 3.6 V <sup>(3)</sup>													

**Table 2. STM32F205xx features and peripheral counts (continued)**

Peripherals	STM32F205Rx				STM32F205Vx		STM32F205Zx
Operating temperatures	Ambient temperatures: -40 to +85 °C / -40 to +105 °C						
	Junction temperature: -40 to + 125 °C						
Package	LQFP64	LQFP64 WLCSP64+2	LQFP64	LQFP64 WLCSP64+2	LQFP100		LQFP144

- For the LQFP100 package, only FSMC Bank1 or Bank2 are available. Bank1 can only support a multiplexed NOR/PSRAM memory using the NE1 Chip Select. Bank2 can only support a 16- or 8-bit NAND Flash memory using the NCE2 Chip Select. The interrupt line cannot be used since Port G is not available in this package.
- The SPI2 and SPI3 interfaces give the flexibility to work in an exclusive way in either the SPI mode or the I2S audio mode.
- On devices in WLCSP64+2 package, if IRROFF is set to  $V_{DD}$ , the supply voltage can drop to 1.7 V when the device operates in the 0 to 70 °C temperature range using an external power supply supervisor (see [Section 3.16](#)).

**Table 3. STM32F207xx features and peripheral counts**

Peripherals		STM32F207Vx				STM32F207Zx				STM32F207Ix			
Flash memory in Kbytes		256	512	768	1024	256	512	768	1024	256	512	768	1024
SRAM in Kbytes	System (SRAM1+SRAM2)	128 (112+16)											
	Backup	4											
FSMC memory controller		Yes <sup>(1)</sup>											
Ethernet		Yes											
Timers	General-purpose	10											
	Advanced-control	2											
	Basic	2											
	IWDG	Yes											
	WWDG	Yes											
RTC		Yes											
Random number generator		Yes											



Table 3. STM32F207xx features and peripheral counts (continued)

Peripherals		STM32F207Vx	STM32F207Zx	STM32F207Ix
Comm. interfaces	SPI/(I <sup>2</sup> S)	3/(2) <sup>(2)</sup>		
	I <sup>2</sup> C	3		
	USART UART	4 2		
	USB OTG FS	Yes		
	USB OTG HS	Yes		
	CAN	2		
Camera interface		Yes		
GPIOs		82	114	140
SDIO		Yes		
12-bit ADC		3		
Number of channels		16	24	24
12-bit DAC		Yes		
Number of channels		2		
Maximum CPU frequency		120 MHz		
Operating voltage		1.8 V to 3.6 V <sup>(3)</sup>		
Operating temperatures		Ambient temperatures: -40 to +85 °C/-40 to +105 °C		
		Junction temperature: -40 to + 125 °C		
Package		LQFP100	LQFP144	LQFP176/ UFBGA176

1. For the LQFP100 package, only FSMC Bank1 or Bank2 are available. Bank1 can only support a multiplexed NOR/PSRAM memory using the NE1 Chip Select. Bank2 can only support a 16- or 8-bit NAND Flash memory using the NCE2 Chip Select. The interrupt line cannot be used since Port G is not available in this package.
2. The SPI2 and SPI3 interfaces give the flexibility to work in an exclusive way in either the SPI mode or the I2S audio mode.
3. On devices in WLCSP64+2 package, if IRROFF is set to V<sub>DD</sub>, the supply voltage can drop to 1.7 V when the device operates in the 0 to 70 °C temperature range using an external power supply supervisor (see [Section 3.16](#)).



## 2.1 Full compatibility throughout the family

The STM32F205xx and STM32F207xx constitute the STM32F20x family, whose members are fully pin-to-pin, software and feature compatible, allowing the user to try different memory densities and peripherals for a greater degree of freedom during the development cycle.

The STM32F205xx and STM32F207xx devices maintain a close compatibility with the whole STM32F10xxx family. All functional pins are pin-to-pin compatible. The STM32F205xx and STM32F207xx, however, are not drop-in replacements for the STM32F10xxx devices: the two families do not have the same power scheme, and so their power pins are different. Nonetheless, transition from the STM32F10xxx to the STM32F20x family remains simple as only a few pins are impacted.

Figure 1, Figure 2 and Figure 3 provide compatible board designs between the STM32F20x and the STM32F10xxx family.

**Figure 1. Compatible board design between STM32F10x and STM32F2xx for LQFP64 package**

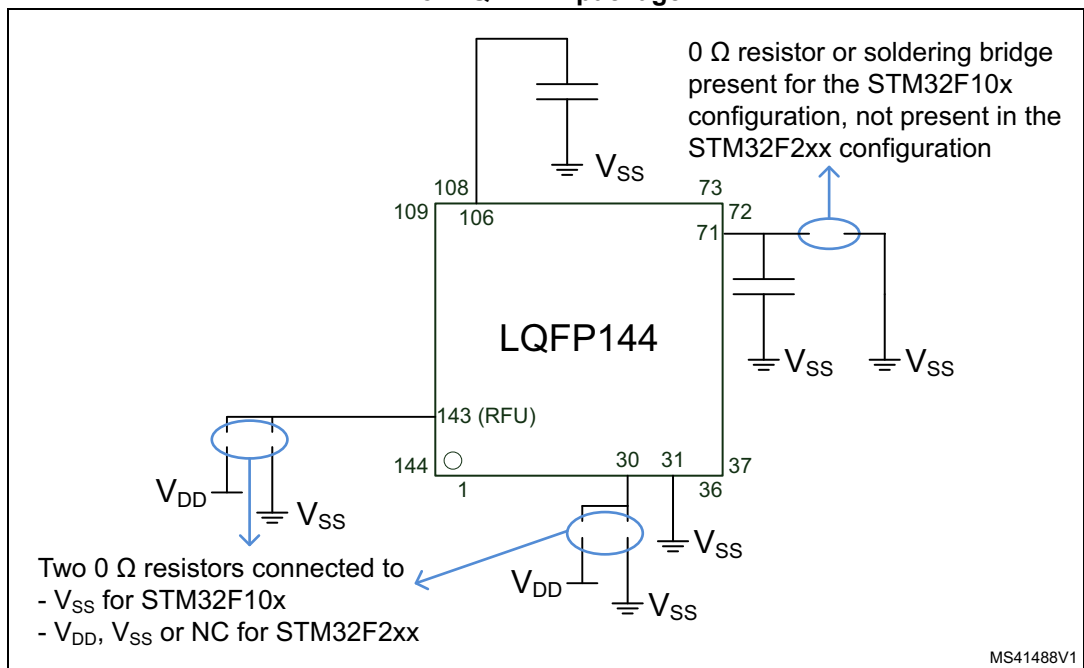


**Figure 2. Compatible board design between STM32F10x and STM32F2xx for LQFP100 package**



1. RFU = reserved for future use.

**Figure 3. Compatible board design between STM32F10x and STM32F2xx for LQFP144 package**



1. RFU = reserved for future use.

Figure 4. STM32F20x block diagram



1. The timers connected to APB2 are clocked from TIMxCLK up to 120 MHz, while the timers connected to APB1 are clocked from TIMxCLK up to 60 MHz.
2. The camera interface and Ethernet are available only in STM32F207xx devices.

## 3 Functional overview

### 3.1 Arm<sup>®</sup> Cortex<sup>®</sup>-M3 core with embedded Flash and SRAM

The Arm<sup>®</sup> Cortex<sup>®</sup>-M3 processor is the latest generation of processors for embedded systems. It was developed to provide a low-cost platform that meets the needs of MCU implementation, with a reduced pin count and low-power consumption, while delivering outstanding computational performance and an advanced response to interrupts.

The Arm<sup>®</sup> Cortex<sup>®</sup>-M3 32-bit RISC processor features exceptional code-efficiency, delivering the high-performance expected from an Arm core in the memory size usually associated with 8- and 16-bit devices.

With its embedded Arm<sup>®</sup> core, the STM32F20x family is compatible with all Arm<sup>®</sup> tools and software.

*Figure 4* shows the general block diagram of the STM32F20x family.

### 3.2 Adaptive real-time memory accelerator (ART Accelerator™)

The ART Accelerator™ is a memory accelerator which is optimized for STM32 industry-standard Arm<sup>®</sup> Cortex<sup>®</sup>-M3 processors. It balances the inherent performance advantage of the Arm<sup>®</sup> Cortex<sup>®</sup>-M3 over Flash memory technologies, which normally requires the processor to wait for the Flash memory at higher operating frequencies.

To release the processor full 150 DMIPS performance at this frequency, the accelerator implements an instruction prefetch queue and branch cache which increases program execution speed from the 128-bit Flash memory. Based on CoreMark<sup>®</sup> benchmark, the performance achieved thanks to the ART accelerator is equivalent to 0 wait state program execution from Flash memory at a CPU frequency up to 120 MHz.

### 3.3 Memory protection unit

The memory protection unit (MPU) is used to manage the CPU accesses to memory to prevent one task to accidentally corrupt the memory or resources used by any other active task. This memory area is organized into up to 8 protected areas that can in turn be divided up into 8 subareas. The protection area sizes are between 32 bytes and the whole 4 gigabytes of addressable memory.

The MPU is especially helpful for applications where some critical or certified code has to be protected against the misbehavior of other tasks. It is usually managed by an RTOS (real-time operating system). If a program accesses a memory location that is prohibited by the MPU, the RTOS can detect it and take action. In an RTOS environment, the kernel can dynamically update the MPU area setting, based on the process to be executed.

The MPU is optional and can be bypassed for applications that do not need it.

### 3.4 Embedded Flash memory

The STM32F20x devices embed a 128-bit wide Flash memory of 128 Kbytes, 256 Kbytes, 512 Kbytes, 768 Kbytes or 1 Mbyte available for storing programs and data.

The devices also feature 512 bytes of OTP memory that can be used to store critical user data such as Ethernet MAC addresses or cryptographic keys.

### 3.5 CRC (cyclic redundancy check) calculation unit

The CRC (cyclic redundancy check) calculation unit is used to get a CRC code from a 32-bit data word and a fixed generator polynomial.

Among other applications, CRC-based techniques are used to verify data transmission or storage integrity. In the scope of the EN/IEC 60335-1 standard, they offer a means of verifying the Flash memory integrity. The CRC calculation unit helps compute a software signature during runtime, to be compared with a reference signature generated at link-time and stored at a given memory location.

### 3.6 Embedded SRAM

All STM32F20x products embed:

- Up to 128 Kbytes of system SRAM accessed (read/write) at CPU clock speed with 0 wait states
- 4 Kbytes of backup SRAM.

The content of this area is protected against possible unwanted write accesses, and is retained in Standby or VBAT mode.

### 3.7 Multi-AHB bus matrix

The 32-bit multi-AHB bus matrix interconnects all the masters (CPU, DMAs, Ethernet, USB HS) and the slaves (Flash memory, RAM, FSMC, AHB and APB peripherals) and ensures a seamless and efficient operation even when several high-speed peripherals work simultaneously.

Figure 5. Multi-AHB matrix



ai15963c

### 3.8 DMA controller (DMA)

The devices feature two general-purpose dual-port DMAs (DMA1 and DMA2) with 8 streams each. They are able to manage memory-to-memory, peripheral-to-memory and memory-to-peripheral transfers. They share some centralized FIFOs for APB/AHB peripherals, support burst transfer and are designed to provide the maximum peripheral bandwidth (AHB/APB).

The two DMA controllers support circular buffer management, so that no specific code is needed when the controller reaches the end of the buffer. The two DMA controllers also have a double buffering feature, which automates the use and switching of two memory buffers without requiring any special code.

Each stream is connected to dedicated hardware DMA requests, with support for software trigger on each stream. Configuration is made by software and transfer sizes between source and destination are independent.

The DMA can be used with the main peripherals:

- SPI and I<sup>2</sup>S
- I<sup>2</sup>C
- USART and UART
- General-purpose, basic and advanced-control timers TIMx
- DAC
- SDIO
- Camera interface (DCMI)
- ADC.

### 3.9 Flexible static memory controller (FSMC)

The FSMC is embedded in all STM32F20x devices. It has four Chip Select outputs supporting the following modes: PC Card/Compact Flash, SRAM, PSRAM, NOR Flash and NAND Flash.

Functionality overview:

- Write FIFO
- Code execution from external memory except for NAND Flash and PC Card
- Maximum frequency ( $f_{HCLK}$ ) for external access is 60 MHz

#### LCD parallel interface

The FSMC can be configured to interface seamlessly with most graphic LCD controllers. It supports the Intel 8080 and Motorola 6800 modes, and is flexible enough to adapt to specific LCD interfaces. This LCD parallel interface capability makes it easy to build cost-effective graphic applications using LCD modules with embedded controllers or high performance solutions using external controllers with dedicated acceleration.

### 3.10 Nested vectored interrupt controller (NVIC)

The STM32F20x devices embed a nested vectored interrupt controller able to manage 16 priority levels, and handle up to 81 maskable interrupt channels plus the 16 interrupt lines of the Cortex<sup>®</sup>-M3.

The NVIC main features are the following:

- Closely coupled NVIC gives low-latency interrupt processing
- Interrupt entry vector table address passed directly to the core
- Closely coupled NVIC core interface
- Allows early processing of interrupts
- Processing of late arriving, higher-priority interrupts
- Support tail chaining
- Processor state automatically saved
- Interrupt entry restored on interrupt exit with no instruction overhead

This hardware block provides flexible interrupt management features with minimum interrupt latency.

### 3.11 External interrupt/event controller (EXTI)

The external interrupt/event controller consists of 23 edge-detector lines used to generate interrupt/event requests. Each line can be independently configured to select the trigger event (rising edge, falling edge, both) and can be masked independently. A pending register maintains the status of the interrupt requests. The EXTI can detect an external line with a pulse width shorter than the Internal APB2 clock period. Up to 140 GPIOs can be connected to the 16 external interrupt lines.

### 3.12 Clocks and startup

On reset the 16 MHz internal RC oscillator is selected as the default CPU clock. The 16 MHz internal RC oscillator is factory-trimmed to offer 1% accuracy. The application can then select as system clock either the RC oscillator or an external 4-26 MHz clock source. This clock is monitored for failure. If failure is detected, the system automatically switches back to the internal RC oscillator and a software interrupt is generated (if enabled). Similarly, full interrupt management of the PLL clock entry is available when necessary (for example if an indirectly used external oscillator fails).

The advanced clock controller clocks the core and all peripherals using a single crystal or oscillator. In particular, the ethernet and USB OTG FS peripherals can be clocked by the system clock.

Several prescalers and PLLs allow the configuration of the three AHB buses, the high-speed APB (APB2) and the low-speed APB (APB1) domains. The maximum frequency of the three AHB buses is 120 MHz and the maximum frequency the high-speed APB domains is 60 MHz. The maximum allowed frequency of the low-speed APB domain is 30 MHz.

The devices embed a dedicate PLL (PLLI2S) that allow them to achieve audio class performance. In this case, the I<sup>2</sup>S master clock can generate all standard sampling frequencies from 8 kHz to 192 kHz.

### 3.13 Boot modes

At startup, boot pins are used to select one out of three boot options:

- Boot from user Flash memory
- Boot from system memory
- Boot from embedded SRAM

The boot loader is located in system memory. It is used to reprogram the Flash memory by using USART1 (PA9/PA10), USART3 (PC10/PC11 or PB10/PB11), CAN2 (PB5/PB13), USB OTG FS in Device mode (PA11/PA12) through DFU (device firmware upgrade).

### 3.14 Power supply schemes

- $V_{DD} = 1.8$  to  $3.6$  V: external power supply for I/Os and the internal regulator (when enabled), provided externally through  $V_{DD}$  pins. On devices in WLCSP64+2 package, if IRROFF is set to  $V_{DD}$ , the supply voltage can drop to 1.7 V when the device operates



in the 0 to 70 °C temperature range using an external power supply supervisor (see [Section 3.16](#)).

- $V_{SSA}$ ,  $V_{DDA}$  = 1.8 to 3.6 V: external analog power supplies for ADC, DAC, Reset blocks, RCs and PLL.  $V_{DDA}$  and  $V_{SSA}$  must be connected to  $V_{DD}$  and  $V_{SS}$ , respectively.
- $V_{BAT}$  = 1.65 to 3.6 V: power supply for RTC, external clock, 32 kHz oscillator and backup registers (through power switch) when  $V_{DD}$  is not present.

Refer to [Figure 19: Power supply scheme](#) for more details.

### 3.15 Power supply supervisor

The devices have an integrated power-on reset (POR) / power-down reset (PDR) circuitry coupled with a Brownout reset (BOR) circuitry.

At power-on, POR/PDR is always active and ensures proper operation starting from 1.8 V. After the 1.8 V POR threshold level is reached, the option byte loading process starts, either to confirm or modify default BOR threshold levels, or to disable BOR permanently. Three BOR thresholds are available through option bytes.

The device remains in reset mode when  $V_{DD}$  is below a specified threshold,  $V_{POR/PDR}$  or  $V_{BOR}$ , without the need for an external reset circuit. On devices in WLCSP64+2 package, the BOR, POR and PDR features can be disabled by setting IRROFF pin to  $V_{DD}$ . In this mode an external power supply supervisor is required (see [Section 3.16](#)).

The devices also feature an embedded programmable voltage detector (PVD) that monitors the  $V_{DD}/V_{DDA}$  power supply and compares it to the  $V_{PVD}$  threshold. An interrupt can be generated when  $V_{DD}/V_{DDA}$  drops below the  $V_{PVD}$  threshold and/or when  $V_{DD}/V_{DDA}$  is higher than the  $V_{PVD}$  threshold. The interrupt service routine can then generate a warning message and/or put the MCU into a safe state. The PVD is enabled by software.

### 3.16 Voltage regulator

The regulator has five operating modes:

- Regulator ON
  - Main regulator mode (MR)
  - Low-power regulator (LPR)
  - Power-down
- Regulator OFF
  - Regulator OFF / internal reset ON
  - Regulator OFF / internal reset OFF

#### 3.16.1 Regulator ON

The regulator ON modes are activated by default on LQFP packages. On WLCSP64+2 package, they are activated by connecting both REGOFF and IRROFF pins to  $V_{SS}$ , while only REGOFF must be connected to  $V_{SS}$  on UFBGA176 package (IRROFF is not available).

$V_{DD}$  minimum value is 1.8 V.

There are three power modes configured by software when the regulator is ON:

- MR is used in the nominal regulation mode
- LPR is used in Stop modes  
The LP regulator mode is configured by software when entering Stop mode.
- Power-down is used in Standby mode.  
The Power-down mode is activated only when entering Standby mode. The regulator output is in high impedance and the kernel circuitry is powered down, inducing zero consumption. The contents of the registers and SRAM are lost).

Two external ceramic capacitors must be connected on  $V_{CAP\_1}$  and  $V_{CAP\_2}$  pin. Refer to [Figure 19: Power supply scheme](#) and [Table 16: VCAP1/VCAP2 operating conditions](#).

All packages have the regulator ON feature.

### 3.16.2 Regulator OFF

This feature is available only on packages featuring the REGOFF pin. The regulator is disabled by holding REGOFF high. The regulator OFF mode allows to supply externally a V12 voltage source through  $V_{CAP\_1}$  and  $V_{CAP\_2}$  pins.

The two 2.2  $\mu$ F ceramic capacitors must be replaced by two 100 nF decoupling capacitors. Refer to [Figure 19: Power supply scheme](#).

When the regulator is OFF, there is no more internal monitoring on V12. An external power supply supervisor must be used to monitor the V12 of the logic power domain. PA0 pin must be used for this purpose, and act as power-on reset on V12 power domain.

In regulator OFF mode, the following features are no more supported:

- PA0 cannot be used as a GPIO pin since it allows to reset the part of the 1.2 V logic power domain which is not reset by the NRST pin.
- As long as PA0 is kept low, the debug mode cannot be used at power-on reset. As a consequence, PA0 and NRST pins must be managed separately if the debug connection at reset or pre-reset is required.

#### Regulator OFF / internal reset ON

On WLCSP64+2 package, this mode is activated by connecting REGOFF pin to  $V_{DD}$  and IRROFF pin to  $V_{SS}$ . On UFBGA176 package, only REGOFF must be connected to  $V_{DD}$  (IRROFF not available). In this mode,  $V_{DD}/V_{DDA}$  minimum value is 1.8 V.

The regulator OFF / internal reset ON mode allows the user to supply externally a 1.2 V voltage source through  $V_{CAP\_1}$  and  $V_{CAP\_2}$  pins, in addition to  $V_{DD}$ .

Figure 6. Regulator OFF / internal reset ON



The following conditions must be respected:

- V<sub>DD</sub> must always be higher than V<sub>CAP\_1</sub> and V<sub>CAP\_2</sub> to avoid current injection between power domains.
- If the time for V<sub>CAP\_1</sub> and V<sub>CAP\_2</sub> to reach 1.08 V is faster than the time for V<sub>DD</sub> to reach 1.8 V, then PA0 must be kept low to cover both conditions: until V<sub>CAP\_1</sub> and V<sub>CAP\_2</sub> reach 1.08 V and until V<sub>DD</sub> reaches 1.8 V (see [Figure 8](#)).
- Otherwise, If the time for V<sub>CAP\_1</sub> and V<sub>CAP\_2</sub> to reach 1.08 V is slower than the time for V<sub>DD</sub> to reach 1.8 V, then PA0 must be asserted low externally (see [Figure 9](#)).
- If V<sub>CAP\_1</sub> and V<sub>CAP\_2</sub> go below 1.08 V and V<sub>DD</sub> is higher than 1.8 V, then a reset must be asserted on PA0 pin.

### Regulator OFF / internal reset OFF

On WLCSP64+2 package, this mode activated by connecting REGOFF to V<sub>SS</sub> and IRROFF to V<sub>DD</sub>. IRROFF cannot be activated in conjunction with REGOFF. This mode is available only on the WLCSP64+2 package. It allows to supply externally a 1.2 V voltage source through V<sub>CAP\_1</sub> and V<sub>CAP\_2</sub> pins. In this mode, the integrated power-on reset (POR)/ power-down reset (PDR) circuitry is disabled.

An external power supply supervisor must monitor both the external 1.2 V and the external V<sub>DD</sub> supply voltage, and must maintain the device in reset mode as long as they remain below a specified threshold. The V<sub>DD</sub> specified threshold, below which the device must be maintained under reset, is 1.8 V. This supply voltage can drop to 1.7 V when the device operates in the 0 to 70 °C temperature range. A comprehensive set of power-saving modes allows the design of low-power applications.

Figure 7. Regulator OFF / internal reset OFF



The following conditions must be respected:

- $V_{DD}$  must always be higher than  $V_{CAP\_1}$  and  $V_{CAP\_2}$  to avoid current injection between power domains (see [Figure 8](#)).
- PA0 must be kept low to cover both conditions: until  $V_{CAP\_1}$  and  $V_{CAP\_2}$  reach 1.08 V, and until  $V_{DD}$  reaches 1.7 V.
- NRST must be controlled by an external reset controller to keep the device under reset when  $V_{DD}$  is below 1.7 V (see [Figure 9](#)).

In this mode, when the internal reset is OFF, the following integrated features are no more supported:

- The integrated power-on reset (POR) / power-down reset (PDR) circuitry is disabled.
- The brownout reset (BOR) circuitry is disabled.
- The embedded programmable voltage detector (PVD) is disabled.
- $V_{BAT}$  functionality is no more available and  $V_{BAT}$  pin must be connected to VDD.

**Figure 8. Startup in regulator OFF: slow  $V_{DD}$  slope, power-down reset risen after  $V_{CAP\_1}/V_{CAP\_2}$  stabilization**



1. This figure is valid whatever the internal reset mode (ON or OFF).

**Figure 9. Startup in regulator OFF: fast  $V_{DD}$  slope, power-down reset risen before  $V_{CAP\_1}/V_{CAP\_2}$  stabilization**



### 3.16.3 Regulator ON/OFF and internal reset ON/OFF availability

**Table 4. Regulator ON/OFF and internal reset ON/OFF availability**

Package	Regulator ON / internal reset ON	Regulator OFF / internal reset ON	Regulator OFF / internal reset OFF
LQFP64 LQFP100 LQFP144 LQFP176	Yes	No	No
WLCSP 64+2	Yes REGOFF and IRROFF set to $V_{SS}$	Yes REGOFF set to $V_{DD}$ and IRROFF set to $V_{SS}$	Yes REGOFF set to $V_{SS}$ and IRROFF set to $V_{DD}$
UFBGA176	Yes REGOFF set to $V_{SS}$	Yes REGOFF set to $V_{DD}$	No

### 3.17 Real-time clock (RTC), backup SRAM and backup registers

The backup domain of the STM32F20x devices includes:

- The real-time clock (RTC)
- 4 Kbytes of backup SRAM
- 20 backup registers

The real-time clock (RTC) is an independent BCD timer/counter. Its main features are the following:

- Dedicated registers contain the second, minute, hour (in 12/24 hour), week day, date, month, year, in BCD (binary-coded decimal) format.
- Automatic correction for 28, 29 (leap year), 30, and 31 day of the month.
- Programmable alarm and programmable periodic interrupts with wakeup from Stop and Standby modes.
- It is clocked by a 32.768 kHz external crystal, resonator or oscillator, the internal low-power RC oscillator or the high-speed external clock divided by 128. The internal low-speed RC has a typical frequency of 32 kHz. The RTC can be calibrated using an external 512 Hz output to compensate for any natural quartz deviation.
- Two alarm registers are used to generate an alarm at a specific time and calendar fields can be independently masked for alarm comparison. To generate a periodic interrupt, a 16-bit programmable binary auto-reload downcounter with programmable resolution is available and allows automatic wakeup and periodic alarms from every 120  $\mu$ s to every 36 hours.
- A 20-bit prescaler is used for the time base clock. It is by default configured to generate a time base of 1 second from a clock at 32.768 kHz.
- Reference clock detection: a more precise second source clock (50 or 60 Hz) can be used to enhance the calendar precision.

The 4-Kbyte backup SRAM is an EEPROM-like area. It can be used to store data which need to be retained in VBAT and standby mode. This memory area is disabled to minimize power consumption (see [Section 3.18: Low-power modes](#)). It can be enabled by software.

The backup registers are 32-bit registers used to store 80 bytes of user application data when  $V_{DD}$  power is not present. Backup registers are not reset by a system, a power reset, or when the device wakes up from the Standby mode (see [Section 3.18: Low-power modes](#)).

Like backup SRAM, the RTC and backup registers are supplied through a switch that is powered either from the  $V_{DD}$  supply when present or the  $V_{BAT}$  pin.

### 3.18 Low-power modes

The STM32F20x family supports three low-power modes to achieve the best compromise between low-power consumption, short startup time and available wakeup sources:

- **Sleep mode**  
In Sleep mode, only the CPU is stopped. All peripherals continue to operate and can wake up the CPU when an interrupt/event occurs.
- **Stop mode**  
The Stop mode achieves the lowest power consumption while retaining the contents of SRAM and registers. All clocks in the 1.2 V domain are stopped, the PLL, the HSI RC

and the HSE crystal oscillators are disabled. The voltage regulator can also be put either in normal or in Low-power mode.

The device can be woken up from the Stop mode by any of the EXTI line. The EXTI line source can be one of the 16 external lines, the PVD output, the RTC alarm / wakeup / tamper / time stamp events, the USB OTG FS/HS wakeup or the Ethernet wakeup.

- **Standby mode**

The Standby mode is used to achieve the lowest power consumption. The internal voltage regulator is switched off so that the entire 1.2 V domain is powered off. The PLL, the HSI RC and the HSE crystal oscillators are also switched off. After entering Standby mode, the SRAM and register contents are lost except for registers in the backup domain and the backup SRAM when selected.

The device exits the Standby mode when an external reset (NRST pin), an IWDG reset, a rising edge on the WKUP pin, or an RTC alarm / wakeup / tamper /time stamp event occurs.

*Note: The RTC, the IWDG, and the corresponding clock sources are not stopped when the device enters the Stop or Standby mode.*

### 3.19 V<sub>BAT</sub> operation

The V<sub>BAT</sub> pin allows to power the device V<sub>BAT</sub> domain from an external battery or an external supercapacitor.

V<sub>BAT</sub> operation is activated when V<sub>DD</sub> is not present.

The V<sub>BAT</sub> pin supplies the RTC, the backup registers and the backup SRAM.

*Note: When the microcontroller is supplied from V<sub>BAT</sub>, external interrupts and RTC alarm/events do not exit it from V<sub>BAT</sub> operation.*

*When using WLCSP64+2 package, if IRROFF pin is connected to V<sub>DD</sub>, the V<sub>BAT</sub> functionality is no more available and V<sub>BAT</sub> pin must be connected to V<sub>DD</sub>.*

### 3.20 Timers and watchdogs

The STM32F20x devices include two advanced-control timers, eight general-purpose timers, two basic timers and two watchdog timers.

All timer counters can be frozen in debug mode.

[Table 5](#) compares the features of the advanced-control, general-purpose and basic timers.

**Table 5. Timer feature comparison**

Timer type	Timer	Counter resolution	Counter type	Prescaler factor	DMA request generation	Capture/compare channels	Complementary output	Max interface clock	Max timer clock
Advanced-control	TIM1, TIM8	16-bit	Up, Down, Up/down	Any integer between 1 and 65536	Yes	4	Yes	60 MHz	120 MHz

**Table 5. Timer feature comparison (continued)**

Timer type	Timer	Counter resolution	Counter type	Prescaler factor	DMA request generation	Capture/compare channels	Complementary output	Max interface clock	Max timer clock
General purpose	TIM2, TIM5	32-bit	Up, Down, Up/down	Any integer between 1 and 65536	Yes	4	No	30 MHz	60 MHz
	TIM3, TIM4	16-bit	Up, Down, Up/down	Any integer between 1 and 65536	Yes	4	No	30 MHz	60 MHz
Basic	TIM6, TIM7	16-bit	Up	Any integer between 1 and 65536	Yes	0	No	30 MHz	60 MHz
General purpose	TIM9	16-bit	Up	Any integer between 1 and 65536	No	2	No	60 MHz	120 MHz
	TIM10, TIM11	16-bit	Up	Any integer between 1 and 65536	No	1	No	60 MHz	120 MHz
	TIM12	16-bit	Up	Any integer between 1 and 65536	No	2	No	30 MHz	60 MHz
	TIM13, TIM14	16-bit	Up	Any integer between 1 and 65536	No	1	No	30 MHz	60 MHz

**3.20.1 Advanced-control timers (TIM1, TIM8)**

The advanced-control timers (TIM1, TIM8) can be seen as three-phase PWM generators multiplexed on 6 channels. They have complementary PWM outputs with programmable inserted dead times. They can also be considered as complete general-purpose timers. Their 4 independent channels can be used for:

- Input capture
- Output compare
- PWM generation (edge- or center-aligned modes)
- One-pulse mode output

If configured as standard 16-bit timers, they have the same features as the general-purpose TIMx timers. If configured as 16-bit PWM generators, they have full modulation capability (0-100%).

The TIM1 and TIM8 counters can be frozen in debug mode. Many of the advanced-control timer features are shared with those of the standard TIMx timers which have the same architecture. The advanced-control timer can therefore work together with the TIMx timers via the Timer Link feature for synchronization or event chaining.



### 3.20.2 General-purpose timers (TIMx)

There are ten synchronizable general-purpose timers embedded in the STM32F20x devices (see [Table 5](#) for differences).

#### TIM2, TIM3, TIM4, TIM5

The STM32F20x include 4 full-featured general-purpose timers. TIM2 and TIM5 are 32-bit timers, and TIM3 and TIM4 are 16-bit timers. The TIM2 and TIM5 timers are based on a 32-bit auto-reload up/downcounter and a 16-bit prescaler. The TIM3 and TIM4 timers are based on a 16-bit auto-reload up/downcounter and a 16-bit prescaler. They all feature 4 independent channels for input capture/output compare, PWM or one-pulse mode output. This gives up to 16 input capture/output compare/PWMs on the largest packages.

The TIM2, TIM3, TIM4, TIM5 general-purpose timers can work together, or with the other general-purpose timers and the advanced-control timers TIM1 and TIM8 via the Timer Link feature for synchronization or event chaining.

The counters of TIM2, TIM3, TIM4, TIM5 can be frozen in debug mode. Any of these general-purpose timers can be used to generate PWM outputs.

TIM2, TIM3, TIM4, TIM5 all have independent DMA request generation. They are capable of handling quadrature (incremental) encoder signals and the digital outputs from one to four hall-effect sensors.

#### TIM10, TIM11 and TIM9

These timers are based on a 16-bit auto-reload upcounter and a 16-bit prescaler. TIM10 and TIM11 feature one independent channel, whereas TIM9 has two independent channels for input capture/output compare, PWM or one-pulse mode output. They can be synchronized with the TIM2, TIM3, TIM4, TIM5 full-featured general-purpose timers. They can also be used as simple time bases.

#### TIM12, TIM13 and TIM14

These timers are based on a 16-bit auto-reload upcounter and a 16-bit prescaler. TIM13 and TIM14 feature one independent channel, whereas TIM12 has two independent channels for input capture/output compare, PWM or one-pulse mode output. They can be synchronized with the TIM2, TIM3, TIM4, TIM5 full-featured general-purpose timers.

They can also be used as simple time bases.

### 3.20.3 Basic timers TIM6 and TIM7

These timers are mainly used for DAC trigger and waveform generation. They can also be used as a generic 16-bit time base.

### 3.20.4 Independent watchdog

The independent watchdog is based on a 12-bit downcounter and 8-bit prescaler. It is clocked from an independent 32 kHz internal RC and as it operates independently from the main clock, it can operate in Stop and Standby modes. It can be used either as a watchdog to reset the device when a problem occurs, or as a free-running timer for application timeout

management. It is hardware- or software-configurable through the option bytes. The counter can be frozen in debug mode.

### 3.20.5 Window watchdog

The window watchdog is based on a 7-bit downcounter that can be set as free-running. It can be used as a watchdog to reset the device when a problem occurs. It is clocked from the main clock. It has an early warning interrupt capability and the counter can be frozen in debug mode.

### 3.20.6 SysTick timer

This timer is dedicated to real-time operating systems, but could also be used as a standard downcounter. It features:

- A 24-bit downcounter
- Autoreload capability
- Maskable system interrupt generation when the counter reaches 0
- Programmable clock source

## 3.21 Inter-integrated circuit interface (I<sup>2</sup>C)

Up to three I<sup>2</sup>C bus interfaces can operate in multimaster and slave modes. They can support the Standard- and Fast-modes. They support the 7/10-bit addressing mode and the 7-bit dual addressing mode (as slave). A hardware CRC generation/verification is embedded.

They can be served by DMA and they support SMBus 2.0/PMBus.

## 3.22 Universal synchronous/asynchronous receiver transmitters (UARTs/USARTs)

The STM32F20x devices embed four universal synchronous/asynchronous receiver transmitters (USART1, USART2, USART3 and USART6) and two universal asynchronous receiver transmitters (UART4 and UART5).

These six interfaces provide asynchronous communication, IrDA SIR ENDEC support, multiprocessor communication mode, single-wire half-duplex communication mode and have LIN Master/Slave capability. The USART1 and USART6 interfaces are able to communicate at speeds of up to 7.5 Mbit/s. The other available interfaces communicate at up to 3.75 Mbit/s.

USART1, USART2, USART3 and USART6 also provide hardware management of the CTS and RTS signals, Smart Card mode (ISO 7816 compliant) and SPI-like communication capability. All interfaces can be served by the DMA controller.

**Table 6. USART feature comparison**

Name	Standard features	Modem (RTS/CTS)	LIN	SPI master	IrDA	Smartcard (ISO 7816)	Max baud rate in Mbit/s		APB mapping
							Oversampling by 16	Oversampling by 8	
USART1	X	X	X	X	X	X	1.87	7.5	APB2 (max. 60 MHz)
USART2	X	X	X	X	X	X		3.75	APB1 (max. 30 MHz)
USART3	X	X	X	X	X	X			
UART4	X	-	X	-	X	-	3.75	7.5	APB2 (max. 60 MHz)
UART5	X	-	X	-	X	-			
USART6	X	X	X	X	X	X			

### 3.23 Serial peripheral interface (SPI)

The STM32F20x devices feature up to three SPIs in slave and master modes in full-duplex and simplex communication modes. SPI1 can communicate at up to 30 Mbits/s, while SPI2 and SPI3 can communicate at up to 15 Mbit/s. The 3-bit prescaler gives 8 master mode frequencies and the frame is configurable to 8 bits or 16 bits. The hardware CRC generation/verification supports basic SD Card/MMC modes. All SPIs can be served by the DMA controller.

The SPI interface can be configured to operate in TI mode for communications in master mode and slave mode.

### 3.24 Inter-integrated sound (I<sup>2</sup>S)

Two standard I<sup>2</sup>S interfaces (multiplexed with SPI2 and SPI3) are available. They can operate in master or slave mode, in half-duplex communication modes, and can be configured to operate with a 16-/32-bit resolution as input or output channels. Audio sampling frequencies from 8 kHz up to 192 kHz are supported. When either or both of the I<sup>2</sup>S interfaces is/are configured in master mode, the master clock can be output to the external DAC/CODEC at 256 times the sampling frequency.

All I2Sx interfaces can be served by the DMA controller.

### 3.25 SDIO

An SD/SDIO/MMC host interface is available, that supports MultiMediaCard System Specification Version 4.2 in three different databus modes: 1-bit (default), 4-bit and 8-bit. The interface allows data transfer at up to 48 MHz in 8-bit mode, and is compliant with the SD Memory Card Specification Version 2.0.

The SDIO Card Specification Version 2.0 is also supported with two different databus modes: 1-bit (default) and 4-bit.

The current version supports only one SD/SDIO/MMC4.2 card at any one time and a stack of MMC4.1 or previous.

In addition to SD/SDIO/MMC, this interface is fully compliant with the CE-ATA digital protocol Rev1.1.

### 3.26 Ethernet MAC interface with dedicated DMA and IEEE 1588 support

Peripheral available only on STM32F207xx devices.

The STM32F207xx devices provide an IEEE-802.3-2002-compliant media access controller (MAC) for Ethernet LAN communications through an industry-standard medium-independent interface (MII) or a reduced medium-independent interface (RMII). The STM32F207xx requires an external physical interface device (PHY) to connect to the physical LAN bus (twisted-pair, fiber, etc.). the PHY is connected to the STM32F207xx MII port using 17 signals for MII or 9 signals for RMII, and can be clocked using the 25 MHz (MII) or 50 MHz (RMII) output from the STM32F207xx.

The STM32F207xx includes the following features:

- Supports 10 and 100 Mbit/s rates
- Dedicated DMA controller allowing high-speed transfers between the dedicated SRAM and the descriptors (see the STM32F20x and STM32F21x reference manual for details)
- Tagged MAC frame support (VLAN support)
- Half-duplex (CSMA/CD) and full-duplex operation
- MAC control sublayer (control frames) support
- 32-bit CRC generation and removal
- Several address filtering modes for physical and multicast address (multicast and group addresses)
- 32-bit status code for each transmitted or received frame
- Internal FIFOs to buffer transmit and receive frames. The transmit FIFO and the receive FIFO are both 2 Kbytes (4 Kbytes in total)
- Supports hardware PTP (precision time protocol) in accordance with IEEE 1588 2008 (PTP V2) with the time stamp comparator connected to the TIM2 input
- Triggers interrupt when system time becomes greater than target time

### 3.27 Controller area network (CAN)

The two CANs are compliant with the 2.0A and B (active) specifications with a bitrate up to 1 Mbit/s. They can receive and transmit standard frames with 11-bit identifiers as well as extended frames with 29-bit identifiers. Each CAN has three transmit mailboxes, two receive FIFOs with 3 stages and 28 shared scalable filter banks (all of them can be used even if one CAN is used). The 256 bytes of SRAM which are allocated for each CAN are not shared with any other peripheral.

### 3.28 Universal serial bus on-the-go full-speed (OTG\_FS)

The devices embed an USB OTG full-speed device/host/OTG peripheral with integrated transceivers. The USB OTG FS peripheral is compliant with the USB 2.0 specification and

with the OTG 1.0 specification. It has software-configurable endpoint setting and supports suspend/resume. The USB OTG full-speed controller requires a dedicated 48 MHz clock that is generated by a PLL connected to the HSE oscillator. The major features are:

- Combined Rx and Tx FIFO size of 320 × 35 bits with dynamic FIFO sizing
- Supports the session request protocol (SRP) and host negotiation protocol (HNP)
- 4 bidirectional endpoints
- 8 host channels with periodic OUT support
- HNP/SNP/IP inside (no need for any external resistor)
- For OTG/Host modes, a power switch is needed in case bus-powered devices are connected
- Internal FS OTG PHY support

### 3.29 Universal serial bus on-the-go high-speed (OTG\_HS)

The STM32F20x devices embed a USB OTG high-speed (up to 480 Mbit/s) device/host/OTG peripheral. The USB OTG HS supports both full-speed and high-speed operations. It integrates the transceivers for full-speed operation (12 Mbyte/s) and features a UTMI low-pin interface (ULPI) for high-speed operation (480 Mbit/s). When using the USB OTG HS in HS mode, an external PHY device connected to the ULPI is required.

The USB OTG HS peripheral is compliant with the USB 2.0 specification and with the OTG 1.0 specification. It has software-configurable endpoint setting and supports suspend/resume. The USB OTG full-speed controller requires a dedicated 48 MHz clock generated by a PLL connected to the HSE oscillator. The main features are:

- Combined Rx and Tx FIFO size of 1024 × 35 bits with dynamic FIFO sizing
- Supports the session request protocol (SRP) and host negotiation protocol (HNP)
- 6 bidirectional endpoints
- 12 host channels with periodic OUT support
- Internal FS OTG PHY support
- External HS or HS OTG operation supporting ULPI in SDR mode. The OTG PHY is connected to the microcontroller ULPI port through 12 signals. It can be clocked using the 60 MHz output.
- Internal USB DMA
- HNP/SNP/IP inside (no need for any external resistor)
- For OTG/Host modes, a power switch is needed when bus-powered devices are connected

### 3.30 Audio PLL (PLLI2S)

The devices feature an additional dedicated PLL for audio I<sup>2</sup>S application. It allows to achieve error-free I<sup>2</sup>S sampling clock accuracy without compromising on the CPU performance, while using USB peripherals.

The PLLI2S configuration can be modified to manage an I<sup>2</sup>S sample rate change without disabling the main PLL (PLL) used for CPU, USB and Ethernet interfaces.

The audio PLL can be programmed with very low error to obtain sampling rates ranging from 8 kHz to 192 kHz.

In addition to the audio PLL, a master clock input pin can be used to synchronize the I2S flow with an external PLL (or Codec output).

### 3.31 Digital camera interface (DCMI)

The camera interface is not available in STM32F205xx devices.

STM32F207xx products embed a camera interface that can connect with camera modules and CMOS sensors through an 8-bit to 14-bit parallel interface, to receive video data. The camera interface can sustain up to 27 Mbyte/s at 27 MHz or 48 Mbyte/s at 48 MHz. It features:

- Programmable polarity for the input pixel clock and synchronization signals
- Parallel data communication can be 8-, 10-, 12- or 14-bit
- Supports 8-bit progressive video monochrome or raw Bayer format, YCbCr 4:2:2 progressive video, RGB 565 progressive video or compressed data (like JPEG)
- Supports continuous mode or snapshot (a single frame) mode
- Capability to automatically crop the image

### 3.32 True random number generator (RNG)

All STM32F2xxx products embed a true RNG that delivers 32-bit random numbers produced by an integrated analog circuit.

### 3.33 GPIOs (general-purpose inputs/outputs)

Each of the GPIO pins can be configured by software as output (push-pull or open-drain, with or without pull-up or pull-down), as input (floating, with or without pull-up or pull-down) or as peripheral alternate function. Most of the GPIO pins are shared with digital or analog alternate functions. All GPIOs are high-current-capable and have speed selection to better manage internal noise, power consumption and electromagnetic emission.

The I/O alternate function configuration can be locked if needed by following a specific sequence in order to avoid spurious writing to the I/Os registers.

To provide fast I/O handling, the GPIOs are on the fast AHB1 bus with a clock up to 120 MHz that leads to a maximum I/O toggling speed of 60 MHz.

### 3.34 ADCs (analog-to-digital converters)

Three 12-bit analog-to-digital converters are embedded and each ADC shares up to 16 external channels, performing conversions in the single-shot or scan mode. In scan mode, automatic conversion is performed on a selected group of analog inputs.

Additional logic functions embedded in the ADC interface allow:

- Simultaneous sample and hold
- Interleaved sample and hold

The ADC can be served by the DMA controller. An analog watchdog feature allows very precise monitoring of the converted voltage of one, some or all selected channels. An interrupt is generated when the converted voltage is outside the programmed thresholds.

The events generated by the timers TIM1, TIM2, TIM3, TIM4, TIM5 and TIM8 can be internally connected to the ADC start trigger and injection trigger, respectively, to allow the application to synchronize A/D conversion and timers.

### 3.35 DAC (digital-to-analog converter)

The two 12-bit buffered DAC channels can be used to convert two digital signals into two analog voltage signal outputs. The design structure is composed of integrated resistor strings and an amplifier in inverting configuration.

This dual digital Interface supports the following features:

- two DAC converters: one for each output channel
- 8-bit or 12-bit monotonic output
- left or right data alignment in 12-bit mode
- synchronized update capability
- noise-wave generation
- triangular-wave generation
- dual DAC channel independent or simultaneous conversions
- DMA capability for each channel
- external triggers for conversion
- input voltage reference  $V_{REF+}$

Eight DAC trigger inputs are used in the device. The DAC channels are triggered through the timer update outputs that are also connected to different DMA streams.

### 3.36 Temperature sensor

The temperature sensor has to generate a voltage that varies linearly with temperature. The conversion range is between 1.8 and 3.6 V. The temperature sensor is internally connected to the ADC1\_IN16 input channel which is used to convert the sensor output voltage into a digital value.

As the offset of the temperature sensor varies from chip to chip due to process variation, the internal temperature sensor is mainly suitable for applications that detect temperature changes instead of absolute temperatures. If an accurate temperature reading is needed, then an external temperature sensor part must be used.

### 3.37 Serial wire JTAG debug port (SWJ-DP)

The Arm SWJ-DP interface is embedded, and is a combined JTAG and serial wire debug port that enables either a serial wire debug or a JTAG probe to be connected to the target. The JTAG TMS and TCK pins are shared with SWDIO and SWCLK, respectively, and a specific sequence on the TMS pin is used to switch between JTAG-DP and SW-DP.

### 3.38 Embedded Trace Macrocell™

The Arm Embedded Trace Macrocell provides a greater visibility of the instruction and data flow inside the CPU core by streaming compressed data at a very high rate from the STM32F20x through a small number of ETM pins to an external hardware trace port analyzer (TPA) device. The TPA is connected to a host computer using USB, Ethernet, or any other high-speed channel. Real-time instruction and data flow activity can be recorded and then formatted for display on the host computer that runs the debugger software. TPA hardware is commercially available from common development tool vendors.

The Embedded Trace Macrocell operates with third party debugger software tools.



## 4 Pinouts and pin description

Figure 10. STM32F20x LQFP64 pinout



ai15969c

1. The above figure shows the package top view.

Figure 11. STM32F20x WLCSP64+2 ballout

	1	2	3	4	5	6	7	8	9
A	PA14	PA15	PC12	PB3	PB5	PB7	PB9	VDD	V <sub>BAT</sub>
B	VSS	PA13	PC10	PB4	PB6	BOOT0	PB8	PC13	PC14
C	PA12	VCAP_2	PC11				PD2	IRROFF	PC15
D	PC9	PA11	PA10				PC2	VSS	VDD
E	VDD	PA8	PA9				PA0	NRST	PH0-OSC_IN
F	VSS	PC7	PC8				VREF+	PC1	PH1-OSC_OUT
G	PB15	PC6	PC5				PA3	PC3	PC0
H	PB14	PB13	PB10	PC4	PA6	PA5	REGOFF	PA1	VSS_5
J	PB12	PB11	VCAP_1	PB2	PB1	PB0	PA7	PA4	PA2

ai18470c

1. The above figure shows the package top view.

Figure 12. STM32F20x LQFP100 pinout



1. RFU means "reserved for future use". This pin can be tied to  $V_{DD}$ ,  $V_{SS}$  or left unconnected.
2. The above figure shows the package top view.

Figure 13. STM32F20x LQFP144 pinout



1. RFU means “reserved for future use”. This pin can be tied to  $V_{DD}$ ,  $V_{SS}$  or left unconnected.
2. The above figure shows the package top view.

Figure 14. STM32F20x LQFP176 pinout



ai15972e

1. RFU means "reserved for future use". This pin can be tied to V<sub>DD</sub>, V<sub>SS</sub> or left unconnected.
2. The above figure shows the package top view.

Figure 15. STM32F20x UFBGA176 ballout

	1	2	3	4	5	6	7	8	9	10	11	12	13	14	15																														
A	PE3	PE2	PE1	PE0	PB8	PB5	PG14	PG13	PB4	PB3	PD7	PC12	PA15	PA14	PA13																														
B	PE4	PE5	PE6	PB9	PB7	PB6	PG15	PG12	PG11	PG10	PD6	PD0	PC11	PC10	PA12																														
C	VBAT	PI7	PI6	PI5	VDD	RFU	VDD	VDD	VDD	PG9	PD5	PD1	PI3	PI2	PA11																														
D	PC13-TAMP1	PI8-TAMP2	PI9	PI4	VSS	BOOT0	VSS	VSS	VSS	PD4	PD3	PD2	PH15	PI1	PA10																														
E	PC14-OSC32_IN	PF0	PI10	PI11	<table border="1" style="margin: auto;"> <tr><td>VSS</td><td>VSS</td><td>VSS</td><td>VSS</td><td>VSS</td></tr> <tr><td>VSS</td><td>VSS</td><td>VSS</td><td>VSS</td><td>VSS</td></tr> <tr><td>VSS</td><td>VSS</td><td>VSS</td><td>VSS</td><td>VSS</td></tr> <tr><td>VSS</td><td>VSS</td><td>VSS</td><td>VSS</td><td>VSS</td></tr> <tr><td>VSS</td><td>VSS</td><td>VSS</td><td>VSS</td><td>VSS</td></tr> <tr><td>VSS</td><td>VSS</td><td>VSS</td><td>VSS</td><td>VSS</td></tr> </table>							VSS	VSS	VSS	VSS	VSS	VSS	VSS	VSS	VSS	VSS	VSS	VSS	VSS	VSS	VSS	VSS	VSS	VSS	VSS	VSS	VSS	VSS	VSS	VSS	VSS	VSS	VSS	VSS	VSS	VSS	PH13	PH14	PI0	PA9
VSS	VSS	VSS	VSS	VSS																																									
VSS	VSS	VSS	VSS	VSS																																									
VSS	VSS	VSS	VSS	VSS																																									
VSS	VSS	VSS	VSS	VSS																																									
VSS	VSS	VSS	VSS	VSS																																									
VSS	VSS	VSS	VSS	VSS																																									
F	PC15-OSC32_OUT	VSS	VDD	PH2	VSS	VSS	VSS	VSS	VSS	VSS	VSS	VSS	VCAP_2	PC9	PA8																														
G	PH0-OSC_IN	VSS	VDD	PH3	VSS	VSS	VSS	VSS	VSS	VSS	VSS	VSS	VDD	PC8	PC7																														
H	PH1-OSC_OUT	PF2	PF1	PH4	VSS	VSS	VSS	VSS	VSS	VSS	VSS	VSS	VDD	PG8	PC6																														
J	NRST	PF3	PF4	PH5	VSS	VSS	VSS	VSS	VSS	VSS	VSS	VSS	VDD	VDD	PG7	PG6																													
K	PF7	PF6	PF5	VDD	VSS	VSS	VSS	VSS	VSS	VSS	VSS	VSS	VSS	PH12	PG5	PG4	PG3																												
L	PF10	PF9	PF8	REGOFF	VSS	VSS	VSS	VSS	VSS	VSS	VSS	VSS	VSS	PH11	PH10	PD15	PG2																												
M	VSSA	PC0	PC1	PC2	PC3	PB2	PG1	VSS	VSS	VCAP_1	PH6	PH8	PH9	PD14	PD13																														
N	VREF-	PA1	PA0-WKUP	PA4	PC4	PF13	PG0	VDD	VDD	VDD	PE13	PH7	PD12	PD11	PD10																														
P	VREF+	PA2	PA6	PA5	PC5	PF12	PF15	PE8	PE9	PE11	PE14	PB12	PB13	PD9	PD8																														
R	VDDA	PA3	PA7	PB1	PB0	PF11	PF14	PE7	PE10	PE12	PE15	PB10	PB11	PB14	PB15																														

ai17293c

1. RFU means “reserved for future use”. This pin can be tied to  $V_{DD}$ ,  $V_{SS}$  or left unconnected.
2. The above figure shows the package top view.

Table 7. Legend/abbreviations used in the pinout table

Name	Abbreviation	Definition
Pin name	Unless otherwise specified in brackets below the pin name, the pin function during and after reset is the same as the actual pin name	
Pin type	S	Supply pin
	I	Input only pin
	I/O	Input/ output pin
I/O structure	FT	5 V tolerant I/O
	TTa	3.3 V tolerant I/O
	B	Dedicated BOOT0 pin
	RST	Bidirectional reset pin with embedded weak pull-up resistor
Notes	Unless otherwise specified by a note, all I/Os are set as floating inputs during and after reset	
Alternate functions	Functions selected through GPIOx_AFR registers	
Additional functions	Functions directly selected/enabled through peripheral registers	

Table 8. STM32F20x pin and ball definitions

Pins						Pin name (function after reset) <sup>(1)</sup>	Pin type	I/O structure	Note	Alternate functions	Additional functions
LQFP64	WLCSP64+2	LQFP100	LQFP144	LQFP176	UFBGA176 <sup>(2)</sup>						
-	-	1	1	1	A2	PE2	I/O	FT	-	TRACECLK, FSMC_A23, ETH_MII_TXD3, EVENTOUT	-
-	-	2	2	2	A1	PE3	I/O	FT	-	TRACED0,FSMC_A19, EVENTOUT	-
-	-	3	3	3	B1	PE4	I/O	FT	-	TRACED1,FSMC_A20, DCMI_D4, EVENTOUT	-
-	-	4	4	4	B2	PE5	I/O	FT	-	TRACED2, FSMC_A21, TIM9_CH1, DCMI_D6, EVENTOUT	-
-	-	5	5	5	B3	PE6	I/O	FT	-	TRACED3, FSMC_A22, TIM9_CH2, DCMI_D7, EVENTOUT	-
1	A9	6	6	6	C1	V <sub>BAT</sub>	S	-	-	-	-
-	-	-	-	7	D2	PI8	I/O	FT	(3)(4)	EVENTOUT	RTC_AF2
2	B8	7	7	8	D1	PC13	I/O	FT	(3)(4)	EVENTOUT	RTC_AF1
3	B9	8	8	9	E1	PC14/OSC32_IN (PC14)	I/O	FT	(3)(4)	EVENTOUT	OSC32_IN <sup>(5)</sup>
4	C9	9	9	10	F1	PC15-OSC32_OUT (PC15)	I/O	FT	(3)(4)	EVENTOUT	OSC32_OUT <sup>(5)</sup>
-	-	-	-	11	D3	PI9	I/O	FT	-	CAN1_RX,EVENTOUT	-
-	-	-	-	12	E3	PI10	I/O	FT	-	ETH_MII_RX_ER, EVENTOUT	-
-	-	-	-	13	E4	PI11	I/O	FT	-	OTG_HS_ULPI_DIR, EVENTOUT	-
-	-	-	-	14	F2	V <sub>SS</sub>	S	-	-	-	-
-	-	-	-	15	F3	V <sub>DD</sub>	S	-	-	-	-
-	-	-	10	16	E2	PF0	I/O	FT	-	FSMC_A0, I2C2_SDA, EVENTOUT	-
-	-	-	11	17	H3	PF1	I/O	FT	-	FSMC_A1, I2C2_SCL, EVENTOUT	-
-	-	-	12	18	H2	PF2	I/O	FT	-	FSMC_A2, I2C2_SMBA, EVENTOUT	-
-	-	-	13	19	J2	PF3	I/O	FT	(5)	FSMC_A3, EVENTOUT	ADC3_IN9
-	-	-	14	20	J3	PF4	I/O	FT	(5)	FSMC_A4, EVENTOUT	ADC3_IN14
-	-	-	15	21	K3	PF5	I/O	FT	(5)	FSMC_A5, EVENTOUT	ADC3_IN15
-	H9	10	16	22	G2	V <sub>SS</sub>	S	-	-	-	-

Table 8. STM32F20x pin and ball definitions (continued)

Pins						Pin name (function after reset) <sup>(1)</sup>	Pin type	I/O structure	Note	Alternate functions	Additional functions
LQFP64	WLCSP64+2	LQFP100	LQFP144	LQFP176	UFBGA176 <sup>(2)</sup>						
-	-	11	17	23	G3	V <sub>DD</sub>	S	-	-	-	-
-	-	-	18	24	K2	PF6	I/O	FT	(5)	TIM10_CH1, FSMC_NIORD, EVENTOUT	ADC3_IN4
-	-	-	19	25	K1	PF7	I/O	FT	(5)	TIM11_CH1,FSMC_NREG, EVENTOUT	ADC3_IN5
-	-	-	20	26	L3	PF8	I/O	FT	(5)	TIM13_CH1, FSMC_NIOWR, EVENTOUT	ADC3_IN6
-	-	-	21	27	L2	PF9	I/O	FT	(5)	TIM14_CH1, FSMC_CD, EVENTOUT	ADC3_IN7
-	-	-	22	28	L1	PF10	I/O	FT	(5)	FSMC_INTR, EVENTOUT	ADC3_IN8
5	E9	12	23	29	G1	PH0/OSC_IN (PH0)	I/O	FT	-	EVENTOUT	OSC_IN <sup>(5)</sup>
6	F9	13	24	30	H1	PH1/OSC_OUT (PH1)	I/O	FT	-	EVENTOUT	OSC_OUT <sup>(5)</sup>
7	E8	14	25	31	J1	NRST	I/O	-	-	-	-
8	G9	15	26	32	M2	PC0	I/O	FT	(5)	OTG_HS_ULPI_STP, EVENTOUT	ADC123_ IN10
9	F8	16	27	33	M3	PC1	I/O	FT	(5)	ETH_MDC, EVENTOUT	ADC123_ IN11
10	D7	17	28	34	M4	PC2	I/O	FT	(5)	SPI2_MISO, OTG_HS_ULPI_DIR, ETH_MII_TXD2, EVENTOUT	ADC123_ IN12
11	G8	18	29	35	M5	PC3	I/O	FT	(5)	SPI2_MOSI, I2S2_SD, OTG_HS_ULPI_NXT, ETH_MII_TX_CLK, EVENTOUT	ADC123_ IN13
-	-	19	30	36	-	V <sub>DD</sub>	S	-	-	-	-
12	-	20	31	37	M1	V <sub>SSA</sub>	S	-	-	-	-
-	-	-	-	-	N1	V <sub>REF-</sub>	S	-	-	-	-
-	F7	21	32	38	P1	V <sub>REF+</sub>	S	-	-	-	-
13	-	22	33	39	R1	V <sub>DDA</sub>	S	-	-	-	-
14	E7	23	34	40	N3	PA0-WKUP (PA0)	I/O	FT	(5)(6)	USART2_CTS, UART4_TX, ETH_MII_CRS, TIM2_CH1_ETR, TIM5_CH1, TIM8_ETR, EVENTOUT	ADC123_IN0, WKUP

Table 8. STM32F20x pin and ball definitions (continued)

Pins						Pin name (function after reset) <sup>(1)</sup>	Pin type	I/O structure	Note	Alternate functions	Additional functions
LQFP64	WLCSP64+2	LQFP100	LQFP144	LQFP176	UFBGA176 <sup>(2)</sup>						
15	H8	24	35	41	N2	PA1	I/O	FT	(5)	USART2_RTS, UART4_RX, ETH_RMII_REF_CLK, ETH_MII_RX_CLK, TIM5_CH2, TIM2_CH2, EVENTOUT	ADC123_IN1
16	J9	25	36	42	P2	PA2	I/O	FT	(5)	USART2_TX, TIM5_CH3, TIM9_CH1, TIM2_CH3, ETH_MDIO, EVENTOUT	ADC123_IN2
-	-	-	-	43	F4	PH2	I/O	FT	-	ETH_MII_CRD, EVENTOUT	-
-	-	-	-	44	G4	PH3	I/O	FT	-	ETH_MII_COL, EVENTOUT	-
-	-	-	-	45	H4	PH4	I/O	FT	-	I2C2_SCL, OTG_HS_ULPI_NXT, EVENTOUT	-
-	-	-	-	46	J4	PH5	I/O	FT	-	I2C2_SDA, EVENTOUT	-
17	G7	26	37	47	R2	PA3	I/O	FT	(5)	USART2_RX, TIM5_CH4, TIM9_CH2, TIM2_CH4, OTG_HS_ULPI_D0, ETH_MII_COL, EVENTOUT	ADC123_IN3
18	F1	27	38	48	-	V <sub>SS</sub>	S	-	-	-	-
	H7				L4	REGOFF	I/O	-	-	-	-
19	E1	28	39	49	K4	V <sub>DD</sub>	S	-	-	-	-
20	J8	29	40	50	N4	PA4	I/O	TTa	(5)	SPI1_NSS, SPI3_NSS, USART2_CK, DCMI_HSYNC, OTG_HS_SOF, I2S3_WS, EVENTOUT	ADC12_IN4, DAC_OUT1
21	H6	30	41	51	P4	PA5	I/O	TTa	(5)	SPI1_SCK, OTG_HS_ULPI_CK, TIM2_CH1_ETR, TIM8_CH1N, EVENTOUT	ADC12_IN5, DAC_OUT2
22	H5	31	42	52	P3	PA6	I/O	FT	(5)	SPI1_MISO, TIM8_BKIN, TIM13_CH1, DCMI_PIXCLK, TIM3_CH1, TIM1_BKIN, EVENTOUT	ADC12_IN6
23	J7	32	43	53	R3	PA7	I/O	FT	(5)	SPI1_MOSI, TIM8_CH1N, TIM14_CH1, TIM3_CH2, ETH_MII_RX_DV, TIM1_CH1N, ETH_RMII_CRD_DV, EVENTOUT	ADC12_IN7



Table 8. STM32F20x pin and ball definitions (continued)

LQFP64	Pins					Pin name (function after reset) <sup>(1)</sup>	Pin type	I/O structure	Note	Alternate functions	Additional functions
	WLCSP64+2	LQFP100	LQFP144	LQFP176	UFBGA176 <sup>(2)</sup>						
24	H4	33	44	54	N5	PC4	I/O	FT	(5)	ETH_RMII_RXD0, ETH_MII_RXD0, EVENTOUT	ADC12_IN14
25	G3	34	45	55	P5	PC5	I/O	FT	(5)	ETH_RMII_RXD1, ETH_MII_RXD1, EVENTOUT	ADC12_IN15
26	J6	35	46	56	R5	PB0	I/O	FT	(5)	TIM3_CH3, TIM8_CH2N, OTG_HS_ULPI_D1, ETH_MII_RXD2, TIM1_CH2N, EVENTOUT	ADC12_IN8
27	J5	36	47	57	R4	PB1	I/O	FT	(5)	TIM3_CH4, TIM8_CH3N, OTG_HS_ULPI_D2, ETH_MII_RXD3, TIM1_CH3N, EVENTOUT	ADC12_IN9
28	J4	37	48	58	M6	PB2/BOOT1 (PB2)	I/O	FT	-	EVENTOUT	-
-	-	-	49	59	R6	PF11	I/O	FT	-	DCMI_D12, EVENTOUT	-
-	-	-	50	60	P6	PF12	I/O	FT	-	FSMC_A6, EVENTOUT	-
-	-	-	51	61	M8	V <sub>SS</sub>	S		-	-	-
-	-	-	52	62	N8	V <sub>DD</sub>	S		-	-	-
-	-	-	53	63	N6	PF13	I/O	FT	-	FSMC_A7, EVENTOUT	-
-	-	-	54	64	R7	PF14	I/O	FT	-	FSMC_A8, EVENTOUT	-
-	-	-	55	65	P7	PF15	I/O	FT	-	FSMC_A9, EVENTOUT	-
-	-	-	56	66	N7	PG0	I/O	FT	-	FSMC_A10, EVENTOUT	-
-	-	-	57	67	M7	PG1	I/O	FT	-	FSMC_A11, EVENTOUT	-
-	-	38	58	68	R8	PE7	I/O	FT	-	FSMC_D4, TIM1_ETR, EVENTOUT	-
-	-	39	59	69	P8	PE8	I/O	FT	-	FSMC_D5, TIM1_CH1N, EVENTOUT	-
-	-	40	60	70	P9	PE9	I/O	FT	-	FSMC_D6, TIM1_CH1, EVENTOUT	-
-	-	-	61	71	M9	V <sub>SS</sub>	S		-	-	-
-	-	-	62	72	N9	V <sub>DD</sub>	S		-	-	-
-	-	41	63	73	R9	PE10	I/O	FT	-	FSMC_D7, TIM1_CH2N, EVENTOUT	-
-	-	42	64	74	P10	PE11	I/O	FT	-	FSMC_D8, TIM1_CH2, EVENTOUT	-

Table 8. STM32F20x pin and ball definitions (continued)

Pins						Pin name (function after reset) <sup>(1)</sup>	Pin type	I/O structure	Note	Alternate functions	Additional functions
LQFP64	WLCSP64+2	LQFP100	LQFP144	LQFP176	UFBGA176 <sup>(2)</sup>						
-	-	43	65	75	R10	PE12	I/O	FT	-	FSMC_D9,TIM1_CH3N, EVENTOUT	-
-	-	44	66	76	N11	PE13	I/O	FT	-	FSMC_D10,TIM1_CH3, EVENTOUT	-
-	-	45	67	77	P11	PE14	I/O	FT	-	FSMC_D11,TIM1_CH4, EVENTOUT	-
-	-	46	68	78	R11	PE15	I/O	FT	-	FSMC_D12,TIM1_BKIN, EVENTOUT	-
29	H3	47	69	79	R12	PB10	I/O	FT	-	SPI2_SCK, I2S2_SCK, I2C2_SCL,USART3_TX,OT G_HS_ULPI_D3,ETH_MII_R X_ER,TIM2_CH3, EVENTOUT	-
30	J2	48	70	80	R13	PB11	I/O	FT	-	I2C2_SDA, USART3_RX, OTG_HS_ULPI_D4, ETH_RMII_TX_EN, ETH_MII_TX_EN, TIM2_CH4, EVENTOUT	-
31	J3	49	71	81	M10	VCAP_1	S	-	-	-	-
32	-	50	72	82	N10	V <sub>DD</sub>	S	-	-	-	-
-	-	-	-	83	M11	PH6	I/O	FT	-	I2C2_SMBA, TIM12_CH1, ETH_MII_RXD2, EVENTOUT	-
-	-	-	-	84	N12	PH7	I/O	FT	-	I2C3_SCL, ETH_MII_RXD3, EVENTOUT	-
-	-	-	-	85	M12	PH8	I/O	FT	-	I2C3_SDA, DCM1_HSYNC, EVENTOUT	-
-	-	-	-	86	M13	PH9	I/O	FT	-	I2C3_SMBA, TIM12_CH2, DCMI_D0, EVENTOUT	-
-	-	-	-	87	L13	PH10	I/O	FT	-	TIM5_CH1, DCM1_D1, EVENTOUT	-
-	-	-	-	88	L12	PH11	I/O	FT	-	TIM5_CH2, DCM1_D2, EVENTOUT	-
-	-	-	-	89	K12	PH12	I/O	FT	-	TIM5_CH3, DCM1_D3, EVENTOUT	-
-	-	-	-	90	H12	V <sub>SS</sub>	S	-	-	-	-
-	-	-	-	91	J12	V <sub>DD</sub>	S	-	-	-	-

Table 8. STM32F20x pin and ball definitions (continued)

Pins						Pin name (function after reset) <sup>(1)</sup>	Pin type	I/O structure	Note	Alternate functions	Additional functions
LQFP64	WLCSP64+2	LQFP100	LQFP144	LQFP176	UFBGA176 <sup>(2)</sup>						
33	J1	51	73	92	P12	PB12	I/O	FT	-	SPI2_NSS, I2S2_WS, I2C2_SMBA, USART3_CK, TIM1_BKIN, CAN2_RX, OTG_HS_ULPI_D5, ETH_RMII_TXD0, ETH_MII_TXD0, OTG_HS_ID, EVENTOUT	-
34	H2	52	74	93	P13	PB13	I/O	FT	-	SPI2_SCK, I2S2_SCK, USART3_CTS, TIM1_CH1N, CAN2_TX, OTG_HS_ULPI_D6, ETH_RMII_TXD1, ETH_MII_TXD1, EVENTOUT	OTG_HS_VBUS
35	H1	53	75	94	R14	PB14	I/O	FT	-	SPI2_MISO, TIM1_CH2N, TIM12_CH1, OTG_HS_DM USART3_RTS, TIM8_CH2N, EVENTOUT	-
36	G1	54	76	95	R15	PB15	I/O	FT	-	SPI2_MOSI, I2S2_SD, TIM1_CH3N, TIM8_CH3N, TIM12_CH2, OTG_HS_DP, RTC_50Hz, EVENTOUT	-
-	-	55	77	96	P15	PD8	I/O	FT	-	FSMC_D13, USART3_TX, EVENTOUT	-
-	-	56	78	97	P14	PD9	I/O	FT	-	FSMC_D14, USART3_RX, EVENTOUT	-
-	-	57	79	98	N15	PD10	I/O	FT	-	FSMC_D15, USART3_CK, EVENTOUT	-
-	-	58	80	99	N14	PD11	I/O	FT	-	FSMC_A16, USART3_CTS, EVENTOUT	-
-	-	59	81	100	N13	PD12	I/O	FT	-	FSMC_A17, TIM4_CH1, USART3_RTS, EVENTOUT	-
-	-	60	82	101	M15	PD13	I/O	FT	-	FSMC_A18, TIM4_CH2, EVENTOUT	-
-	-	-	83	102	-	V <sub>SS</sub>	S	-	-	-	-
-	-	-	84	103	J13	V <sub>DD</sub>	S	-	-	-	-
-	-	61	85	104	M14	PD14	I/O	FT	-	FSMC_D0, TIM4_CH3, EVENTOUT	-
-	-	62	86	105	L14	PD15	I/O	FT	-	FSMC_D1, TIM4_CH4, EVENTOUT	-
-	-	-	87	106	L15	PG2	I/O	FT	-	FSMC_A12, EVENTOUT	-

Table 8. STM32F20x pin and ball definitions (continued)

Pins						Pin name (function after reset) <sup>(1)</sup>	Pin type	I/O structure	Note	Alternate functions	Additional functions
LQFP64	WLCSP64+2	LQFP100	LQFP144	LQFP176	UFBGA176 <sup>(2)</sup>						
-	-	-	88	107	K15	PG3	I/O	FT	-	FSMC_A13, EVENTOUT	-
-	-	-	89	108	K14	PG4	I/O	FT	-	FSMC_A14, EVENTOUT	-
-	-	-	90	109	K13	PG5	I/O	FT	-	FSMC_A15, EVENTOUT	-
-	-	-	91	110	J15	PG6	I/O	FT	-	FSMC_INT2, EVENTOUT	-
-	-	-	92	111	J14	PG7	I/O	FT	-	FSMC_INT3, USART6_CK, EVENTOUT	-
-	-	-	93	112	H14	PG8	I/O	FT	-	USART6_RTS, ETH_PPS_OUT, EVENTOUT	-
-	-	-	94	113	G12	V <sub>SS</sub>	S	-	-	-	-
-	-	-	95	114	H13	V <sub>DD</sub>	S	-	-	-	-
37	G2	63	96	115	H15	PC6	I/O	FT	-	I2S2_MCK, TIM8_CH1, SDIO_D6, USART6_TX, DCMI_D0, TIM3_CH1, EVENTOUT	-
38	F2	64	97	116	G15	PC7	I/O	FT	-	I2S3_MCK, TIM8_CH2, SDIO_D7, USART6_RX, DCMI_D1, TIM3_CH2, EVENTOUT	-
39	F3	65	98	117	G14	PC8	I/O	FT	-	TIM8_CH3, SDIO_D0, TIM3_CH3, USART6_CK, DCMI_D2, EVENTOUT	-
40	D1	66	99	118	F14	PC9	I/O	FT	-	I2S2_CKIN, I2S3_CKIN, MCO2, TIM8_CH4, SDIO_D1, I2C3_SDA, DCMI_D3, TIM3_CH4, EVENTOUT	-
41	E2	67	100	119	F15	PA8	I/O	FT	-	MCO1, USART1_CK, TIM1_CH1, I2C3_SCL, OTG_FS_SOF, EVENTOUT	-
42	E3	68	101	120	E15	PA9	I/O	FT	-	USART1_TX, TIM1_CH2, I2C3_SMBA, DCMI_D0, EVENTOUT	OTG_FS_VBUS
43	D3	69	102	121	D15	PA10	I/O	FT	-	USART1_RX, TIM1_CH3, OTG_FS_ID, DCMI_D1, EVENTOUT	-
44	D2	70	103	122	C15	PA11	I/O	FT	-	USART1_CTS, CAN1_RX, TIM1_CH4, OTG_FS_DM, EVENTOUT	-

Table 8. STM32F20x pin and ball definitions (continued)

Pins						Pin name (function after reset) <sup>(1)</sup>	Pin type	I/O structure	Note	Alternate functions	Additional functions
LQFP64	WLCSP64+2	LQFP100	LQFP144	LQFP176	UFBGA176 <sup>(2)</sup>						
45	C1	71	104	123	B15	PA12	I/O	FT	-	USART1_RTS, CAN1_TX, TIM1_ETR, OTG_FS_DP, EVENTOUT	-
46	B2	72	105	124	A15	PA13 (JTMS-SWDIO)	I/O	FT	-	JTMS-SWDIO, EVENTOUT	-
47	C2	73	106	125	F13	VCAP_2	S	-	-	-	-
-	B1	74	107	126	F12	V <sub>SS</sub>	S	-	-	-	-
48	A8	75	108	127	G13	V <sub>DD</sub>	S	-	-	-	-
-	-	-	-	128	E12	PH13	I/O	FT	-	TIM8_CH1N, CAN1_TX, EVENTOUT	-
-	-	-	-	129	E13	PH14	I/O	FT	-	TIM8_CH2N, DCMI_D4, EVENTOUT	-
-	-	-	-	130	D13	PH15	I/O	FT	-	TIM8_CH3N, DCMI_D11, EVENTOUT	-
-	-	-	-	131	E14	PI0	I/O	FT	-	TIM5_CH4, SPI2_NSS, I2S2_WS, DCMI_D13, EVENTOUT	-
-	-	-	-	132	D14	PI1	I/O	FT	-	SPI2_SCK, I2S2_SCK, DCMI_D8, EVENTOUT	-
-	-	-	-	133	C14	PI2	I/O	FT	-	TIM8_CH4, SPI2_MISO, DCMI_D9, EVENTOUT	-
-	-	-	-	134	C13	PI3	I/O	FT	-	TIM8_ETR, SPI2_MOSI, I2S2_SD, DCMI_D10, EVENTOUT	-
-	-	-	-	135	D9	V <sub>SS</sub>	S	-	-	-	-
-	-	-	-	136	C9	V <sub>DD</sub>	S	-	-	-	-
49	A1	76	109	137	A14	PA14 (JTCK-SWCLK)	I/O	FT	-	JTCK-SWCLK, EVENTOUT	-
50	A2	77	110	138	A13	PA15 (JTDI)	I/O	FT	-	JTDI, SPI3_NSS, I2S3_WS, TIM2_CH1_ETR, SPI1_NSS, EVENTOUT	-
51	B3	78	111	139	B14	PC10	I/O	FT	-	SPI3_SCK, I2S3_SCK, UART4_TX, SDIO_D2, DCMI_D8, USART3_TX, EVENTOUT	-
52	C3	79	112	140	B13	PC11	I/O	FT	-	UART4_RX, SPI3_MISO, SDIO_D3, DCMI_D4, USART3_RX, EVENTOUT	-

Table 8. STM32F20x pin and ball definitions (continued)

Pins						Pin name (function after reset) <sup>(1)</sup>	Pin type	I/O structure	Note	Alternate functions	Additional functions
LQFP64	WLCSP64+2	LQFP100	LQFP144	LQFP176	UFBGA176 <sup>(2)</sup>						
53	A3	80	113	141	A12	PC12	I/O	FT	-	UART5_TX, SDIO_CK, DCMI_D9, SPI3_MOSI, I2S3_SD, USART3_CK, EVENTOUT	-
-	-	81	114	142	B12	PD0	I/O	FT	-	FSMC_D2,CAN1_RX, EVENTOUT	-
-	-	82	115	143	C12	PD1	I/O	FT	-	FSMC_D3, CAN1_TX, EVENTOUT	-
54	C7	83	116	144	D12	PD2	I/O	FT	-	TIM3_ETR, UART5_RX, SDIO_CMD, DCMI_D11, EVENTOUT	-
-	-	84	117	145	D11	PD3	I/O	FT	-	FSMC_CLK, USART2_CTS, EVENTOUT	-
-	-	85	118	146	D10	PD4	I/O	FT	-	FSMC_NOE, USART2_RTS, EVENTOUT	-
-	-	86	119	147	C11	PD5	I/O	FT	-	FSMC_NWE, USART2_TX, EVENTOUT	-
-	-	-	120	148	D8	V <sub>SS</sub>	S	-	-	-	-
-	-	-	121	149	C8	V <sub>DD</sub>	S	-	-	-	-
-	-	87	122	150	B11	PD6	I/O	FT	-	FSMC_NWAIT, USART2_RX, EVENTOUT	-
-	-	88	123	151	A11	PD7	I/O	FT	-	USART2_CK, FSMC_NE1, FSMC_NCE2, EVENTOUT	-
-	-	-	124	152	C10	PG9	I/O	FT	-	USART6_RX, FSMC_NE2, FSMC_NCE3, EVENTOUT	-
-	-	-	125	153	B10	PG10	I/O	FT	-	FSMC_NCE4_1, FSMC_NE3, EVENTOUT	-
-	-	-	126	154	B9	PG11	I/O	FT	-	FSMC_NCE4_2, ETH_MII_TX_EN, ETH_RMII_TX_EN, EVENTOUT	-
-	-	-	127	155	B8	PG12	I/O	FT	-	FSMC_NE4, USART6_RTS, EVENTOUT	-
-	-	-	128	156	A8	PG13	I/O	FT	-	FSMC_A24, USART6_CTS, ETH_MII_TXD0, ETH_RMII_TXD0, EVENTOUT	-

Table 8. STM32F20x pin and ball definitions (continued)

Pins						Pin name (function after reset) <sup>(1)</sup>	Pin type	I/O structure	Note	Alternate functions	Additional functions
LQFP64	WLCSP64+2	LQFP100	LQFP144	LQFP176	UFBGA176 <sup>(2)</sup>						
-	-	-	129	157	A7	PG14	I/O	FT	-	FSMC_A25, USART6_TX, ETH_MII_TXD1, ETH_RMII_TXD1, EVENTOUT	-
-	-	-	130	158	D7	V <sub>SS</sub>	S	-	-	-	-
-	-	-	131	159	C7	V <sub>DD</sub>	S	-	-	-	-
-	-	-	132	160	B7	PG15	I/O	FT	-	USART6_CTS, DCMI_D13, EVENTOUT	-
55	A4	89	133	161	A10	PB3 (JTDO/TRACESWO)	I/O	FT	-	JTDO/TRACESWO, SPI3_SCK, I2S3_SCK, TIM2_CH2, SPI1_SCK, EVENTOUT	-
56	B4	90	134	162	A9	PB4	I/O	FT	-	NJTRST, SPI3_MISO, TIM3_CH1, SPI1_MISO, EVENTOUT	-
57	A5	91	135	163	A6	PB5	I/O	FT	-	I2C1_SMBA, CAN2_RX, OTG_HS_ULPI_D7, ETH_PPS_OUT, TIM3_CH2, SPI1_MOSI, SPI3_MOSI, DCMI_D10, I2S3_SD, EVENTOUT	-
58	B5	92	136	164	B6	PB6	I/O	FT	-	I2C1_SCL,, TIM4_CH1, CAN2_TX, DCMI_D5,USART1_TX, EVENTOUT	-
59	A6	93	137	165	B5	PB7	I/O	FT	-	I2C1_SDA, FSMC_NL <sup>(7)</sup> , DCMI_VSYNC, USART1_RX, TIM4_CH2, EVENTOUT	-
60	B6	94	138	166	D6	BOOT0	I	B	-	-	V <sub>PP</sub>
61	B7	95	139	167	A5	PB8	I/O	FT	-	TIM4_CH3,SDIO_D4, TIM10_CH1, DCMI_D6, ETH_MII_TXD3, I2C1_SCL, CAN1_RX, EVENTOUT	-
62	A7	96	140	168	B4	PB9	I/O	FT	-	SPI2_NSS, I2S2_WS, TIM4_CH4, TIM11_CH1, SDIO_D5, DCMI_D7, I2C1_SDA, CAN1_TX, EVENTOUT	-
-	-	97	141	169	A4	PE0	I/O	FT	-	TIM4_ETR, FSMC_NBL0, DCMI_D2, EVENTOUT	-

Table 8. STM32F20x pin and ball definitions (continued)

Pins						Pin name (function after reset) <sup>(1)</sup>	Pin type	I/O structure	Note	Alternate functions	Additional functions
LQFP64	WLCSP64+2	LQFP100	LQFP144	LQFP176	UFBGA176 <sup>(2)</sup>						
-	-	98	142	170	A3	PE1	I/O	FT	-	FSMC_NBL1, DCMI_D3, EVENTOUT	-
-	-	-	-	-	D5	V <sub>SS</sub>	S	-	-	-	-
63	D8	-	-	-	-	V <sub>SS</sub>	S	-	-	-	-
-	-	99	143	171	C6	RFU	-	-	(8)	-	-
64	D9	100	144	172	C5	V <sub>DD</sub>	S	-	-	-	-
-	-	-	-	173	D4	PI4	I/O	FT	-	TIM8_BKIN, DCMI_D5, EVENTOUT	-
-	-	-	-	174	C4	PI5	I/O	FT	-	TIM8_CH1, DCMI_VSYNC, EVENTOUT	-
-	-	-	-	175	C3	PI6	I/O	FT	-	TIM8_CH2, DCMI_D6, EVENTOUT	-
-	-	-	-	176	C2	PI7	I/O	FT	-	TIM8_CH3, DCMI_D7, EVENTOUT	-
-	C8	-	-	-	-	IRROFF	I/O	-	-	-	-

- Function availability depends on the chosen device.
- For the UFBGA176 package F6, F7, F8, F9, F10, G6, G7, G8, G9, G10, H6, H7, H8, H9, H10, J6, J7, J8, J9, J10, K6, K7, K8, K9 and K10 are connected to V<sub>SS</sub>, for heat dissipation and package mechanical stability.
- PC13, PC14, PC15 and PI8 are supplied through the power switch. Since the switch only sinks a limited amount of current (3 mA), the use of GPIOs PC13 to PC15 and PI8 in output mode is limited: the speed should not exceed 2 MHz with a maximum load of 30 pF and these I/Os must not be used as a current source (e.g. to drive an LED).
- Main function after the first backup domain power-up. Later on, it depends on the contents of the RTC registers even after reset (because these registers are not reset by the main reset). For details on how to manage these I/Os, refer to the RTC register description sections in the STM32F20x and STM32F21x reference manual, available from the STMicroelectronics website [www.st.com](http://www.st.com).
- FT = 5 V tolerant except when in analog or oscillator mode (for PC14, PC15, PH0 and PH1).
- If the device is delivered in an UFBGA176 package and if the REGOFF pin is set to V<sub>DD</sub> (Regulator OFF), then PA0 is used as an internal Reset (active low).
- FSMC\_NL pin is also named FSMC\_NADV on memory devices.
- RFU means “reserved for future use”. This pin can be tied to V<sub>DD</sub>, V<sub>SS</sub> or left unconnected.



Table 9. FSMC pin definition

Pins	FSMC				LQFP100
	CF	NOR/PSRAM/SRAM	NOR/PSRAM Mux	NAND 16 bit	
PE2	-	A23	A23	-	Yes
PE3	-	A19	A19	-	Yes
PE4	-	A20	A20	-	Yes
PE5	-	A21	A21	-	Yes
PE6	-	A22	A22	-	Yes
PF0	A0	A0	-	-	-
PF1	A1	A1	-	-	-
PF2	A2	A2	-	-	-
PF3	A3	A3	-	-	-
PF4	A4	A4	-	-	-
PF5	A5	A5	-	-	-
PF6	NIORD	-	-	-	-
PF7	NREG	-	-	-	-
PF8	NIOWR	-	-	-	-
PF9	CD	-	-	-	-
PF10	INTR	-	-	-	-
PF12	A6	A6	-	-	-
PF13	A7	A7	-	-	-
PF14	A8	A8	-	-	-
PF15	A9	A9	-	-	-
PG0	A10	A10	-	-	-
PG1	-	A11	-	-	-
PE7	D4	D4	DA4	D4	Yes
PE8	D5	D5	DA5	D5	Yes
PE9	D6	D6	DA6	D6	Yes
PE10	D7	D7	DA7	D7	Yes
PE11	D8	D8	DA8	D8	Yes
PE12	D9	D9	DA9	D9	Yes
PE13	D10	D10	DA10	D10	Yes
PE14	D11	D11	DA11	D11	Yes
PE15	D12	D12	DA12	D12	Yes
PD8	D13	D13	DA13	D13	Yes
PD9	D14	D14	DA14	D14	Yes

Table 9. FSMC pin definition (continued)

Pins	FSMC				LQFP100
	CF	NOR/PSRAM/SRAM	NOR/PSRAM Mux	NAND 16 bit	
PD10	D15	D15	DA15	D15	Yes
PD11	-	A16	A16	CLE	Yes
PD12	-	A17	A17	ALE	Yes
PD13	-	A18	A18	-	Yes
PD14	D0	D0	DA0	D0	Yes
PD15	D1	D1	DA1	D1	Yes
PG2	-	A12	-	-	-
PG3	-	A13	-	-	-
PG4	-	A14	-	-	-
PG5	-	A15	-	-	-
PG6	-	-	-	INT2	-
PG7	-	-	-	INT3	-
PD0	D2	D2	DA2	D2	Yes
PD1	D3	D3	DA3	D3	Yes
PD3	-	CLK	CLK	-	Yes
PD4	NOE	NOE	NOE	NOE	Yes
PD5	NWE	NWE	NWE	NWE	Yes
PD6	NWAIT	NWAIT	NWAIT	NWAIT	Yes
PD7	-	NE1	NE1	NCE2	Yes
PG9	-	NE2	NE2	NCE3	-
PG10	NCE4_1	NE3	NE3	-	-
PG11	NCE4_2	-	-	-	-
PG12	-	NE4	NE4	-	-
PG13	-	A24	A24	-	-
PG14	-	A25	A25	-	-
PB7	-	NADV	NADV	-	Yes
PE0	-	NBL0	NBL0	-	Yes
PE1	-	NBL1	NBL1	-	Yes



**Table 10. Alternate function mapping**

Port	AF0	AF1	AF2	AF3	AF4	AF5	AF6	AF7	AF8	AF9	AF10	AF11	AF12	AF13	AF014	AF15	
	SYS	TIM1/2	TIM3/4/5	TIM8/9/10/11	I2C1/I2C2/I2C3	SPI1/SPI2/I2S2	SPI3/I2S3	USART1/2/3	UART4/5/ USART6	CAN1/CAN2/ TIM12/13/14	OTG_FS/ OTG_HS	ETH	FSMC/SDIO/ OTG_HS	DCMI			
Port A	PA0-WKUP	-	TIM2_CH1_ETR	TIM5_CH1	TIM8_ETR	-	-	-	USART2_CTS	UART4_TX	-	-	ETH_MII_CRS	-	-	-	EVENTOUT
	PA1	-	TIM2_CH2	TIM5_CH2	-	-	-	-	USART2_RTS	UART4_RX	-	-	ETH_MII_RX_CLK ETH_RMII_REF_CLK	-	-	-	EVENTOUT
	PA2	-	TIM2_CH3	TIM5_CH3	TIM9_CH1	-	-	-	USART2_TX	-	-	-	ETH_MDIO	-	-	-	EVENTOUT
	PA3	-	TIM2_CH4	TIM5_CH4	TIM9_CH2	-	-	-	USART2_RX	-	-	OTG_HS_ULPI_D0	ETH_MII_COL	-	-	-	EVENTOUT
	PA4	-	-	-	-	-	SPI1_NSS	SPI3_NSS I2S3_WS	USART2_CK	-	-	-	-	OTG_HS_SOF	DCMI_HSYNC	-	EVENTOUT
	PA5	-	TIM2_CH1_ETR	-	TIM8_CH1N	-	SPI1_SCK	-	-	-	-	OTG_HS_ULPI_CK	-	-	-	-	EVENTOUT
	PA6	-	TIM1_BKIN	TIM3_CH1	TIM8_BKIN	-	SPI1_MISO	-	-	-	TIM13_CH1	-	-	-	DCMI_PIXCK	-	EVENTOUT
	PA7	-	TIM1_CH1N	TIM3_CH2	TIM8_CH1N	-	SPI1_MOSI	-	-	-	TIM14_CH1	-	ETH_MII_RX_DV ETH_RMII_CRS_DV	-	-	-	EVENTOUT
	PA8	MCO1	TIM1_CH1	-	-	I2C3_SCL	-	-	USART1_CK	-	-	OTG_FS_SOF	-	-	-	-	EVENTOUT
	PA9	-	TIM1_CH2	-	-	I2C3_SMBA	-	-	USART1_TX	-	-	-	-	-	DCMI_D0	-	EVENTOUT
	PA10	-	TIM1_CH3	-	-	-	-	-	USART1_RX	-	-	OTG_FS_ID	-	-	DCMI_D1	-	EVENTOUT
	PA11	-	TIM1_CH4	-	-	-	-	-	USART1_CTS	-	CAN1_RX	OTG_FS_DM	-	-	-	-	EVENTOUT
	PA12	-	TIM1_ETR	-	-	-	-	-	USART1_RTS	-	CAN1_TX	OTG_FS_DP	-	-	-	-	EVENTOUT
	PA13	JTMS-SWDIO	-	-	-	-	-	-	-	-	-	-	-	-	-	-	EVENTOUT
	PA14	JTCK-SWCLK	-	-	-	-	-	-	-	-	-	-	-	-	-	-	EVENTOUT
PA15	JTDI	TIM2_CH1 TIM2_ETR	-	-	-	SPI1_NSS	SPI3_NSS I2S3_WS	-	-	-	-	-	-	-	-	EVENTOUT	



Table 10. Alternate function mapping (continued)

Port	AF0	AF1	AF2	AF3	AF4	AF5	AF6	AF7	AF8	AF9	AF10	AF11	AF12	AF13	AF014	AF15		
	SYS	TIM1/2	TIM3/4/5	TIM8/9/10/11	I2C1/I2C2/I2C3	SPI1/SPI2/I2S2	SPI3/I2S3	USART1/2/3	UART4/5/ USART6	CAN1/CAN2/ TIM12/13/14	OTG_FS/ OTG_HS	ETH	FSMC/SDIO/ OTG_HS	DCMI				
Port B	PB0	-	TIM1_CH2N	TIM3_CH3	TIM8_CH2N	-	-	-	-	-	-	OTG_HS_ULPI_D1	ETH_MII_RXD2	-	-	-	EVENTOUT	
	PB1	-	TIM1_CH3N	TIM3_CH4	TIM8_CH3N	-	-	-	-	-	-	OTG_HS_ULPI_D2	ETH_MII_RXD3	-	-	-	EVENTOUT	
	PB2	-	-	-	-	-	-	-	-	-	-	-	-	-	-	-	EVENTOUT	
	PB3	JTDO/ TRACESWO	TIM2_CH2	-	-	-	SPI1_SCK	SPI3_SCK I2S3_SCK	-	-	-	-	-	-	-	-	-	EVENTOUT
	PB4	JTRST	-	TIM3_CH1	-	-	SPI1_MISO	SPI3_MISO	-	-	-	-	-	-	-	-	-	EVENTOUT
	PB5	-	-	TIM3_CH2	-	I2C1_SMBA	SPI1_MOSI	SPI3_MOSI I2S3_SD	-	-	CAN2_RX	OTG_HS_ULPI_D7	ETH_PPS_OUT	-	DCMI_D10	-	-	EVENTOUT
	PB6	-	-	TIM4_CH1	-	I2C1_SCL	-	-	USART1_TX	-	CAN2_TX	-	-	-	DCMI_D5	-	EVENTOUT	
	PB7	-	-	TIM4_CH2	-	I2C1_SDA	-	-	USART1_RX	-	-	-	-	FSMC_NL	DCMI_VSYNC	-	EVENTOUT	
	PB8	-	-	TIM4_CH3	TIM10_CH1	I2C1_SCL	-	-	-	-	CAN1_RX	-	ETH_MII_TXD3	SDIO_D4	DCMI_D6	-	EVENTOUT	
	PB9	-	-	TIM4_CH4	TIM11_CH1	I2C1_SDA	SPI2_NSS I2S2_WS	-	-	-	CAN1_TX	-	-	SDIO_D5	DCMI_D7	-	EVENTOUT	
	PB10	-	TIM2_CH3	-	-	I2C2_SCL	SPI2_SCK I2S2_SCK	-	USART3_TX	-	-	OTG_HS_ULPI_D3	ETH_MII_RX_ER	-	-	-	EVENTOUT	
	PB11	-	TIM2_CH4	-	-	I2C2_SDA	-	-	USART3_RX	-	-	OTG_HS_ULPI_D4	ETH_MII_TX_EN ETH _RMII_TX_EN	-	-	-	EVENTOUT	
	PB12	-	TIM1_BKIN	-	-	I2C2_SMBA	SPI2_NSS I2S2_WS	-	USART3_CK	-	CAN2_RX	OTG_HS_ULPI_D5	ETH_MII_TXD0 ETH_RMII_TXD0	OTG_HS_ID	-	-	EVENTOUT	
	PB13	-	TIM1_CH1N	-	-	-	SPI2_SCK I2S2_SCK	-	USART3_CTS	-	CAN2_TX	OTG_HS_ULPI_D6	ETH_MII_TXD1 ETH_RMII_TXD1	-	-	-	EVENTOUT	
	PB14	-	TIM1_CH2N	-	TIM8_CH2N	-	SPI2_MISO	-	USART3_RTS	-	TIM12_CH1	-	-	OTG_HS_DM	-	-	EVENTOUT	
PB15	RTC_50Hz	TIM1_CH3N	-	TIM8_CH3N	-	SPI2_MOSI I2S2_SD	-	-	-	TIM12_CH2	-	-	OTG_HS_DP	-	-	EVENTOUT		



**Table 10. Alternate function mapping (continued)**

Port	AF0	AF1	AF2	AF3	AF4	AF5	AF6	AF7	AF8	AF9	AF10	AF11	AF12	AF13	AF014	AF15	
	SYS	TIM1/2	TIM3/4/5	TIM8/9/10/11	I2C1/I2C2/I2C3	SPI1/SPI2/I2S2	SPI3/I2S3	USART1/2/3	UART4/5/ USART6	CAN1/CAN2/ TIM12/13/14	OTG_FS/ OTG_HS	ETH	FSMC/SDIO/ OTG_HS	DCMI			
Port C	PC0	-	-	-	-	-	-	-	-	-	OTG_HS_ULPI_ STP	-	-	-	-	EVENTOUT	
	PC1	-	-	-	-	-	-	-	-	-	-	ETH_MDC	-	-	-	EVENTOUT	
	PC2	-	-	-	-	-	SPI2_MISO	-	-	-	OTG_HS_ULPI_ DIR	ETH_MII_TXD2	-	-	-	EVENTOUT	
	PC3	-	-	-	-	-	SPI2_MOSI	-	-	-	OTG_HS_ULPI_ NXT	ETH_MII_TX_CLK	-	-	-	EVENTOUT	
	PC4	-	-	-	-	-	-	-	-	-	-	ETH_MII_RXD0 ETH_RMII_RXD0	-	-	-	EVENTOUT	
	PC5	-	-	-	-	-	-	-	-	-	-	ETH_MII_RXD1 ETH_RMII_RXD1	-	-	-	EVENTOUT	
	PC6	-	-	TIM3_CH1	TIM8_CH1	-	I2S2_MCK	-	-	USART6_TX	-	-	-	SDIO_D6	DCMI_D0	-	EVENTOUT
	PC7	-	-	TIM3_CH2	TIM8_CH2	-	-	I2S3_MCK	-	USART6_RX	-	-	-	SDIO_D7	DCMI_D1	-	EVENTOUT
	PC8	-	-	TIM3_CH3	TIM8_CH3	-	-	-	-	USART6_CK	-	-	-	SDIO_D0	DCMI_D2	-	EVENTOUT
	PC9	MCO2	-	TIM3_CH4	TIM8_CH4	I2C3_SDA	I2S2_CKIN	I2S3_CKIN	-	-	-	-	-	SDIO_D1	DCMI_D3	-	EVENTOUT
	PC10	-	-	-	-	-	-	SPI3_SCK I2S3_SCK	USART3_TX	UART4_TX	-	-	-	SDIO_D2	DCMI_D8	-	EVENTOUT
	PC11	-	-	-	-	-	-	SPI3_MISO	USART3_RX	UART4_RX	-	-	-	SDIO_D3	DCMI_D4	-	EVENTOUT
	PC12	-	-	-	-	-	-	SPI3_MOSI I2S3_SD	USART3_CK	UART5_TX	-	-	-	SDIO_CK	DCMI_D9	-	EVENTOUT
	PC13	-	-	-	-	-	-	-	-	-	-	-	-	-	-	-	EVENTOUT
	PC14- OSC32_IN	-	-	-	-	-	-	-	-	-	-	-	-	-	-	-	EVENTOUT
	PC15- OSC32_OUT	-	-	-	-	-	-	-	-	-	-	-	-	-	-	-	EVENTOUT



Table 10. Alternate function mapping (continued)

Port	AF0	AF1	AF2	AF3	AF4	AF5	AF6	AF7	AF8	AF9	AF10	AF11	AF12	AF13	AF014	AF15
	SYS	TIM1/2	TIM3/4/5	TIM8/9/10/11	I2C1/I2C2/I2C3	SPI1/SPI2/I2S2	SPI3/I2S3	USART1/2/3	UART4/5/ USART6	CAN1/CAN2/ TIM12/13/14	OTG_FS/ OTG_HS	ETH	FSMC/SDIO/ OTG_HS	DCMI		
Port D	PD0	-	-	-	-	-	-	-	-	CAN1_RX	-	-	FSMC_D2	-	-	EVENTOUT
	PD1	-	-	-	-	-	-	-	-	CAN1_TX	-	-	FSMC_D3	-	-	EVENTOUT
	PD2	-	-	TIM3_ETR	-	-	-	-	-	UART5_RX	-	-	SDIO_CMD	DCMI_D11	-	EVENTOUT
	PD3	-	-	-	-	-	-	-	USART2_CTS	-	-	-	FSMC_CLK	-	-	EVENTOUT
	PD4	-	-	-	-	-	-	-	USART2_RTS	-	-	-	FSMC_NOE	-	-	EVENTOUT
	PD5	-	-	-	-	-	-	-	USART2_TX	-	-	-	FSMC_NWE	-	-	EVENTOUT
	PD6	-	-	-	-	-	-	-	USART2_RX	-	-	-	FSMC_NWAIT	-	-	EVENTOUT
	PD7	-	-	-	-	-	-	-	USART2_CK	-	-	-	FSMC_NE1/ FSMC_NCE2	-	-	EVENTOUT
	PD8	-	-	-	-	-	-	-	USART3_TX	-	-	-	FSMC_D13	-	-	EVENTOUT
	PD9	-	-	-	-	-	-	-	USART3_RX	-	-	-	FSMC_D14	-	-	EVENTOUT
	PD10	-	-	-	-	-	-	-	USART3_CK	-	-	-	FSMC_D15	-	-	EVENTOUT
	PD11	-	-	-	-	-	-	-	USART3_CTS	-	-	-	FSMC_A16	-	-	EVENTOUT
	PD12	-	-	TIM4_CH1	-	-	-	-	USART3_RTS	-	-	-	FSMC_A17	-	-	EVENTOUT
	PD13	-	-	TIM4_CH2	-	-	-	-	-	-	-	-	FSMC_A18	-	-	EVENTOUT
	PD14	-	-	TIM4_CH3	-	-	-	-	-	-	-	-	FSMC_D0	-	-	EVENTOUT
PD15	-	-	TIM4_CH4	-	-	-	-	-	-	-	-	FSMC_D1	-	-	EVENTOUT	
Port E	PE0	-	-	TIM4_ETR	-	-	-	-	-	-	-	-	FSMC_NBL0	DCMI_D2	-	EVENTOUT
	PE1	-	-	-	-	-	-	-	-	-	-	-	FSMC_NBL1	DCMI_D3	-	EVENTOUT
	PE2	TRACECLK	-	-	-	-	-	-	-	-	-	ETH_MII_TXD3	FSMC_A23	-	-	EVENTOUT
	PE3	TRACED0	-	-	-	-	-	-	-	-	-	-	FSMC_A19	-	-	EVENTOUT
	PE4	TRACED1	-	-	-	-	-	-	-	-	-	-	FSMC_A20	DCMI_D4	-	EVENTOUT
	PE5	TRACED2	-	-	TIM9_CH1	-	-	-	-	-	-	-	FSMC_A21	DCMI_D6	-	EVENTOUT
	PE6	TRACED3	-	-	TIM9_CH2	-	-	-	-	-	-	-	FSMC_A22	DCMI_D7	-	EVENTOUT
	PE7	-	TIM1_ETR	-	-	-	-	-	-	-	-	-	FSMC_D4	-	-	EVENTOUT
	PE8	-	TIM1_CH1N	-	-	-	-	-	-	-	-	-	FSMC_D5	-	-	EVENTOUT
	PE9	-	TIM1_CH1	-	-	-	-	-	-	-	-	-	FSMC_D6	-	-	EVENTOUT
	PE10	-	TIM1_CH2N	-	-	-	-	-	-	-	-	-	FSMC_D7	-	-	EVENTOUT
	PE11	-	TIM1_CH2	-	-	-	-	-	-	-	-	-	FSMC_D8	-	-	EVENTOUT
	PE12	-	TIM1_CH3N	-	-	-	-	-	-	-	-	-	FSMC_D9	-	-	EVENTOUT
	PE13	-	TIM1_CH3	-	-	-	-	-	-	-	-	-	FSMC_D10	-	-	EVENTOUT
	PE14	-	TIM1_CH4	-	-	-	-	-	-	-	-	-	FSMC_D11	-	-	EVENTOUT
PE15	-	TIM1_BKIN	-	-	-	-	-	-	-	-	-	FSMC_D12	-	-	EVENTOUT	



**Table 10. Alternate function mapping (continued)**

Port		AF0	AF1	AF2	AF3	AF4	AF5	AF6	AF7	AF8	AF9	AF10	AF11	AF12	AF13	AF014	AF15
		SYS	TIM1/2	TIM3/4/5	TIM8/9/10/11	I2C1/I2C2/I2C3	SPI1/SPI2/I2S2	SPI3/I2S3	USART1/2/3	UART4/5/ USART6	CAN1/CAN2/ TIM12/13/14	OTG_FS/ OTG_HS	ETH	FSMC/SDIO/ OTG_HS	DCMI		
Port F	PF0	-	-	-	-	I2C2_SDA	-	-	-	-	-	-	-	FSMC_A0	-	-	EVENTOUT
	PF1	-	-	-	-	I2C2_SCL	-	-	-	-	-	-	-	FSMC_A1	-	-	EVENTOUT
	PF2	-	-	-	-	I2C2_SMBA	-	-	-	-	-	-	-	FSMC_A2	-	-	EVENTOUT
	PF3	-	-	-	-	-	-	-	-	-	-	-	-	FSMC_A3	-	-	EVENTOUT
	PF4	-	-	-	-	-	-	-	-	-	-	-	-	FSMC_A4	-	-	EVENTOUT
	PF5	-	-	-	-	-	-	-	-	-	-	-	-	FSMC_A5	-	-	EVENTOUT
	PF6	-	-	-	TIM10_CH1	-	-	-	-	-	-	-	-	FSMC_NIORD	-	-	EVENTOUT
	PF7	-	-	-	TIM11_CH1	-	-	-	-	-	-	-	-	FSMC_NREG	-	-	EVENTOUT
	PF8	-	-	-	-	-	-	-	-	-	TIM13_CH1	-	-	FSMC_NIOWR	-	-	EVENTOUT
	PF9	-	-	-	-	-	-	-	-	-	TIM14_CH1	-	-	FSMC_CD	-	-	EVENTOUT
	PF10	-	-	-	-	-	-	-	-	-	-	-	-	FSMC_INTR	-	-	EVENTOUT
	PF11	-	-	-	-	-	-	-	-	-	-	-	-	DCMI_D12	-	-	EVENTOUT
	PF12	-	-	-	-	-	-	-	-	-	-	-	-	FSMC_A6	-	-	EVENTOUT
	PF13	-	-	-	-	-	-	-	-	-	-	-	-	FSMC_A7	-	-	EVENTOUT
	PF14	-	-	-	-	-	-	-	-	-	-	-	-	FSMC_A8	-	-	EVENTOUT
PF15	-	-	-	-	-	-	-	-	-	-	-	-	FSMC_A9	-	-	EVENTOUT	
Port G	PG0	-	-	-	-	-	-	-	-	-	-	-	-	FSMC_A10	-	-	EVENTOUT
	PG1	-	-	-	-	-	-	-	-	-	-	-	-	FSMC_A11	-	-	EVENTOUT
	PG2	-	-	-	-	-	-	-	-	-	-	-	-	FSMC_A12	-	-	EVENTOUT
	PG3	-	-	-	-	-	-	-	-	-	-	-	-	FSMC_A13	-	-	EVENTOUT
	PG4	-	-	-	-	-	-	-	-	-	-	-	-	FSMC_A14	-	-	EVENTOUT
	PG5	-	-	-	-	-	-	-	-	-	-	-	-	FSMC_A15	-	-	EVENTOUT
	PG6	-	-	-	-	-	-	-	-	-	-	-	-	FSMC_INT2	-	-	EVENTOUT
	PG7	-	-	-	-	-	-	-	-	USART6_CK	-	-	-	FSMC_INT3	-	-	EVENTOUT
	PG8	-	-	-	-	-	-	-	-	USART6_RTS	-	-	ETH_PPS_OUT	-	-	-	EVENTOUT
	PG9	-	-	-	-	-	-	-	-	USART6_RX	-	-	-	FSMC_NE2/ FSMC_NCE3	-	-	EVENTOUT
	PG10	-	-	-	-	-	-	-	-	-	-	-	-	FSMC_NCE4_1/ FSMC_NE3	-	-	EVENTOUT
	PG11	-	-	-	-	-	-	-	-	-	-	-	ETH_MII_TX_EN ETH_RMII_TX_EN	FSMC_NCE4_2	-	-	EVENTOUT
	PG12	-	-	-	-	-	-	-	-	USART6_RTS	-	-	-	FSMC_NE4	-	-	EVENTOUT
	PG13	-	-	-	-	-	-	-	-	UART6_CTS	-	-	ETH_MII_TXD0 ETH_RMII_TXD0	FSMC_A24	-	-	EVENTOUT
	PG14	-	-	-	-	-	-	-	-	USART6_TX	-	-	ETH_MII_TXD1 ETH_RMII_TXD1	FSMC_A25	-	-	EVENTOUT
PG15	-	-	-	-	-	-	-	-	USART6_CTS	-	-	-	-	DCMI_D13	-	EVENTOUT	



**Table 10. Alternate function mapping (continued)**

Port	AF0	AF1	AF2	AF3	AF4	AF5	AF6	AF7	AF8	AF9	AF10	AF11	AF12	AF13	AF14	AF15
	SYS	TIM1/2	TIM3/4/5	TIM8/9/10/11	I2C1/I2C2/I2C3	SPI1/SPI2/I2S2	SPI3/I2S3	USART1/2/3	UART4/5/ USART6	CAN1/CAN2/ TIM12/13/14	OTG_FS/ OTG_HS	ETH	FSMC/SDIO/ OTG_HS	DCMI		
Port H	PH0 - OSC_IN	-	-	-	-	-	-	-	-	-	-	-	-	-	-	EVENTOUT
	PH1 - OSC_OUT	-	-	-	-	-	-	-	-	-	-	-	-	-	-	EVENTOUT
	PH2	-	-	-	-	-	-	-	-	-	-	ETH_MII_CRS	-	-	-	EVENTOUT
	PH3	-	-	-	-	-	-	-	-	-	-	ETH_MII_COL	-	-	-	EVENTOUT
	PH4	-	-	-	-	I2C2_SCL	-	-	-	-	-	OTG_HS_ULPI_N XT	-	-	-	EVENTOUT
	PH5	-	-	-	-	I2C2_SDA	-	-	-	-	-	-	-	-	-	EVENTOUT
	PH6	-	-	-	-	I2C2_SMBA	-	-	-	-	TIM12_CH1	-	ETH_MII_RXD2	-	-	EVENTOUT
	PH7	-	-	-	-	I2C3_SCL	-	-	-	-	-	-	ETH_MII_RXD3	-	-	EVENTOUT
	PH8	-	-	-	-	I2C3_SDA	-	-	-	-	-	-	-	DCMI_HSYNC	-	EVENTOUT
	PH9	-	-	-	-	I2C3_SMBA	-	-	-	-	TIM12_CH2	-	-	DCMI_D0	-	EVENTOUT
	PH10	-	-	TIM5_CH1	-	-	-	-	-	-	-	-	-	DCMI_D1	-	EVENTOUT
	PH11	-	-	TIM5_CH2	-	-	-	-	-	-	-	-	-	DCMI_D2	-	EVENTOUT
	PH12	-	-	TIM5_CH3	-	-	-	-	-	-	-	-	-	DCMI_D3	-	EVENTOUT
	PH13	-	-	-	TIM8_CH1N	-	-	-	-	-	CAN1_TX	-	-	-	-	EVENTOUT
	PH14	-	-	-	TIM8_CH2N	-	-	-	-	-	-	-	-	DCMI_D4	-	EVENTOUT
PH15	-	-	-	TIM8_CH3N	-	-	-	-	-	-	-	-	DCMI_D11	-	EVENTOUT	
Port I	PI0	-	-	TIM5_CH4	-	SPI2_NSS I2S2_WS	-	-	-	-	-	-	-	DCMI_D13	-	EVENTOUT
	PI1	-	-	-	-	SPI2_SCK I2S2_SCK	-	-	-	-	-	-	-	DCMI_D8	-	EVENTOUT
	PI2	-	-	-	TIM8_CH4	SPI2_MISO	-	-	-	-	-	-	-	DCMI_D9	-	EVENTOUT
	PI3	-	-	-	TIM8_ETR	SPI2_MOSI I2S2_SD	-	-	-	-	-	-	-	DCMI_D10	-	EVENTOUT
	PI4	-	-	-	TIM8_BKIN	-	-	-	-	-	-	-	-	DCMI_D5	-	EVENTOUT
	PI5	-	-	-	TIM8_CH1	-	-	-	-	-	-	-	-	DCMI_VSYNC	-	EVENTOUT
	PI6	-	-	-	TIM8_CH2	-	-	-	-	-	-	-	-	DCMI_D6	-	EVENTOUT
	PI7	-	-	-	TIM8_CH3	-	-	-	-	-	-	-	-	DCMI_D7	-	EVENTOUT
	PI8	-	-	-	-	-	-	-	-	-	-	-	-	-	-	EVENTOUT
	PI9	-	-	-	-	-	-	-	-	-	CAN1_RX	-	-	-	-	EVENTOUT
	PI10	-	-	-	-	-	-	-	-	-	-	ETH_MII_RX_ER	-	-	-	EVENTOUT
PI11	-	-	-	-	-	-	-	-	-	-	OTG_HS_ULPI_ DIR	-	-	-	EVENTOUT	



## 5 Memory mapping

The memory map is shown in [Figure 16](#).

Figure 16. Memory map



ai17615c

## 6 Electrical characteristics

### 6.1 Parameter conditions

Unless otherwise specified, all voltages are referenced to  $V_{SS}$ .

#### 6.1.1 Minimum and maximum values

Unless otherwise specified the minimum and maximum values are guaranteed in the worst conditions of ambient temperature, supply voltage and frequencies by tests in production on 100% of the devices with an ambient temperature at  $T_A = 25\text{ °C}$  and  $T_A = T_{Amax}$  (given by the selected temperature range).

Data based on characterization results, design simulation and/or technology characteristics are indicated in the table footnotes and are not tested in production. Based on characterization, the minimum and maximum values refer to sample tests and represent the mean value plus or minus three times the standard deviation ( $\text{mean} \pm 3\sigma$ ).

#### 6.1.2 Typical values

Unless otherwise specified, typical data are based on  $T_A = 25\text{ °C}$ ,  $V_{DD} = 3.3\text{ V}$  (for the  $1.8\text{ V} \leq V_{DD} \leq 3.6\text{ V}$  voltage range). They are given only as design guidelines and are not tested.

Typical ADC accuracy values are determined by characterization of a batch of samples from a standard diffusion lot over the full temperature range, where 95% of the devices have an error less than or equal to the value indicated ( $\text{mean} \pm 2\sigma$ ).

#### 6.1.3 Typical curves

Unless otherwise specified, all typical curves are given only as design guidelines and are not tested.

#### 6.1.4 Loading capacitor

The loading conditions used for pin parameter measurement are shown in [Figure 17](#).

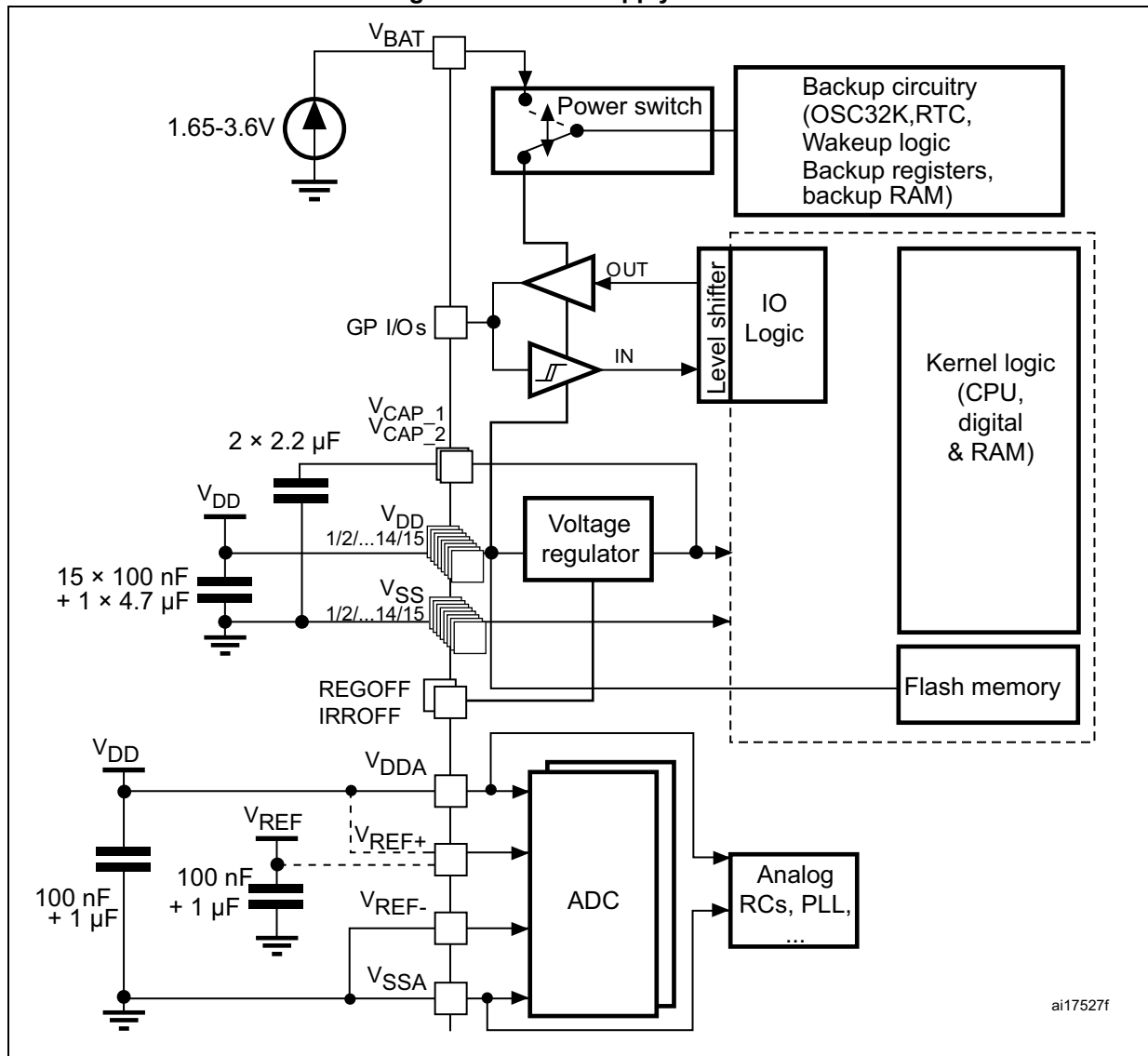
#### 6.1.5 Pin input voltage

The input voltage measurement on a pin of the device is described in [Figure 18](#).



6.1.6 Power supply scheme

Figure 19. Power supply scheme

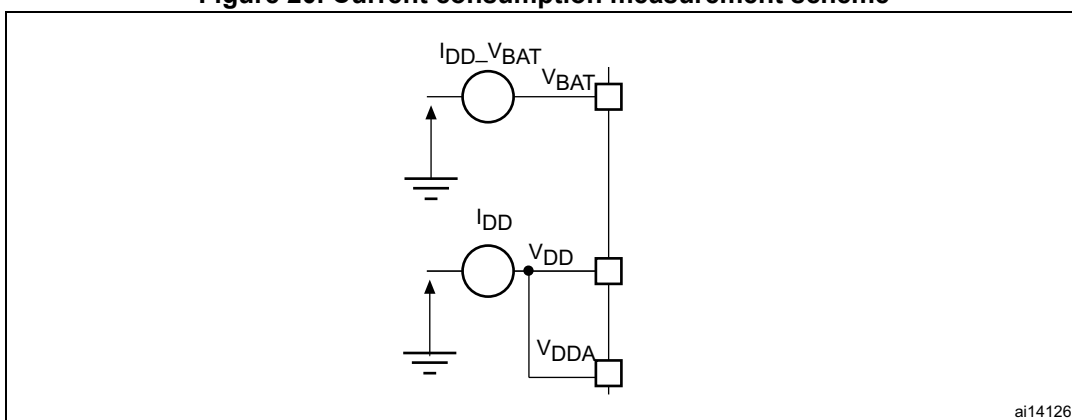


1. Each power supply pair must be decoupled with filtering ceramic capacitors as shown above. These capacitors must be placed as close as possible to, or below, the appropriate pins on the underside of the PCB to ensure the good functionality of the device.
2. To connect REGOFF and IRROFF pins, refer to [Section 3.16: Voltage regulator](#).
3. The two 2.2 µF ceramic capacitors must be replaced by two 100 nF decoupling capacitors when the voltage regulator is OFF.
4. The 4.7 µF ceramic capacitor must be connected to one of the V<sub>DD</sub> pin.

**Caution:** Each power supply pair (V<sub>DD</sub>/V<sub>SS</sub>, V<sub>DDA</sub>/V<sub>SSA</sub> ...) must be decoupled with filtering ceramic capacitors as shown above. These capacitors must be placed as close as possible to, or below, the appropriate pins on the underside of the PCB, to ensure good device operation. It is not recommended to remove filtering capacitors to reduce PCB size or cost. This might cause incorrect device operation.

### 6.1.7 Current consumption measurement

Figure 20. Current consumption measurement scheme



## 6.2 Absolute maximum ratings

Stresses above the absolute maximum ratings listed in [Table 11](#), [Table 12](#), and [Table 13](#) may cause permanent damage to the device. These are stress ratings only and functional operation of the device at these conditions is not implied. Exposure to maximum rating conditions for extended periods may affect device reliability.

Table 11. Voltage characteristics

Symbol	Ratings	Min	Max	Unit
$V_{DD}-V_{SS}$	External main supply voltage (including $V_{DDA}$ , $V_{DD}$ ) <sup>(1)</sup>	-0.3	4.0	V
$V_{IN}$	Input voltage on five-volt tolerant pin <sup>(2)</sup>	$V_{SS}-0.3$	$V_{DD}+4$	
	Input voltage on any other pin	$V_{SS}-0.3$	4.0	
$ \Delta V_{DDx} $	Variations between different $V_{DD}$ power pins	-	50	mV
$ V_{SSx} - V_{SS} $	Variations between all the different ground pins	-	50	
$V_{ESD(HBM)}$	Electrostatic discharge voltage (human body model)	see <a href="#">Section 6.3.14</a>		-

1. All main power ( $V_{DD}$ ,  $V_{DDA}$ ) and ground ( $V_{SS}$ ,  $V_{SSA}$ ) pins must always be connected to the external power supply, in the permitted range.
2.  $V_{IN}$  maximum value must always be respected. Refer to [Table 12](#) for the values of the maximum allowed injected current.

**Table 12. Current characteristics**

Symbol	Ratings	Max	Unit
$I_{VDD}$	Total current into $V_{DD}$ power lines (source) <sup>(1)</sup>	120	mA
$I_{VSS}$	Total current out of $V_{SS}$ ground lines (sink) <sup>(1)</sup>	120	
$I_{IO}$	Output current sunk by any I/O and control pin	25	
	Output current source by any I/Os and control pin	25	
$I_{INJ(PIN)}$ <sup>(2)</sup>	Injected current on five-volt tolerant I/O <sup>(3)</sup>	-5/+0	
	Injected current on any other pin <sup>(4)</sup>	±5	
$\Sigma I_{INJ(PIN)}$ <sup>(4)</sup>	Total injected current (sum of all I/O and control pins) <sup>(5)</sup>	±25	

1. All main power ( $V_{DD}$ ,  $V_{DDA}$ ) and ground ( $V_{SS}$ ,  $V_{SSA}$ ) pins must always be connected to the external power supply, in the permitted range.
2. Negative injection disturbs the analog performance of the device. See note in [Section 6.3.20: 12-bit ADC characteristics](#).
3. Positive injection is not possible on these I/Os. A negative injection is induced by  $V_{IN} < V_{SS}$ .  $I_{INJ(PIN)}$  must never be exceeded. Refer to [Table 11](#) for the values of the maximum allowed input voltage.
4. A positive injection is induced by  $V_{IN} > V_{DD}$  while a negative injection is induced by  $V_{IN} < V_{SS}$ .  $I_{INJ(PIN)}$  must never be exceeded. Refer to [Table 11](#) for the values of the maximum allowed input voltage.
5. When several inputs are submitted to a current injection, the maximum  $\Sigma I_{INJ(PIN)}$  is the absolute sum of the positive and negative injected currents (instantaneous values).

**Table 13. Thermal characteristics**

Symbol	Ratings	Value	Unit
$T_{STG}$	Storage temperature range	-65 to +150	°C
$T_J$	Maximum junction temperature	125	°C

## 6.3 Operating conditions

### 6.3.1 General operating conditions

**Table 14. General operating conditions**

Symbol	Parameter	Conditions	Min	Max	Unit
$f_{HCLK}$	Internal AHB clock frequency	-	0	120	MHz
$f_{PCLK1}$	Internal APB1 clock frequency	-	0	30	
$f_{PCLK2}$	Internal APB2 clock frequency	-	0	60	

Table 14. General operating conditions (continued)

Symbol	Parameter	Conditions	Min	Max	Unit
V <sub>DD</sub>	Standard operating voltage	-	1.8 <sup>(1)</sup>	3.6	V
V <sub>DDA</sub> <sup>(2)</sup>	Analog operating voltage (ADC limited to 1 M samples)	Must be the same potential as V <sub>DD</sub> <sup>(3)</sup>	1.8 <sup>(1)</sup>	3.6	
	Analog operating voltage (ADC limited to 2 M samples)		2.4	3.6	
V <sub>BAT</sub>	Backup operating voltage	-	1.65	3.6	
V <sub>IN</sub>	Input voltage on RST and FT pins	2 V ≤ V <sub>DD</sub> ≤ 3.6 V	-0.3	5.5	
		1.7 V ≤ V <sub>DD</sub> ≤ 2 V	-0.3	5.2	
	Input voltage on TTa pins	-	-0.3	V <sub>DD</sub> +0.3	
	Input voltage on BOOT0 pin	-	0	9	
V <sub>CAP1</sub>	Internal core voltage to be supplied externally in REGOFF mode	-	1.1	1.3	
V <sub>CAP2</sub>					
P <sub>D</sub>	Power dissipation at T <sub>A</sub> = 85 °C for suffix 6 or T <sub>A</sub> = 105 °C for suffix 7 <sup>(4)</sup>	LQFP64	-	444	mW
		WLCSP64+2	-	392	
		LQFP100	-	434	
		LQFP144	-	500	
		LQFP176	-	526	
		UFBGA176	-	513	
T <sub>A</sub>	Ambient temperature for 6 suffix version	Maximum power dissipation	-40	85	°C
		Low-power dissipation <sup>(5)</sup>	-40	105	
	Ambient temperature for 7 suffix version	Maximum power dissipation	-40	105	°C
		Low-power dissipation <sup>(5)</sup>	-40	125	
T <sub>J</sub>	Junction temperature range	6 suffix version	-40	105	°C
		7 suffix version	-40	125	

1. On devices in WLCSP64+2 package, if IRROFF is set to V<sub>DD</sub>, the supply voltage can drop to 1.7 V when the device operates in the 0 to 70 °C temperature range using an external power supply supervisor (see [Section 3.16](#)).
2. When the ADC is used, refer to [Table 66: ADC characteristics](#).
3. It is recommended to power V<sub>DD</sub> and V<sub>DDA</sub> from the same source. A maximum difference of 300 mV between V<sub>DD</sub> and V<sub>DDA</sub> can be tolerated during power-up and power-down operation.
4. If T<sub>A</sub> is lower, higher P<sub>D</sub> values are allowed as long as T<sub>J</sub> does not exceed T<sub>Jmax</sub>.
5. In low-power dissipation state, T<sub>A</sub> can be extended to this range as long as T<sub>J</sub> does not exceed T<sub>Jmax</sub>.

Table 15. Limitations depending on the operating power supply range

Operating power supply range	ADC operation	Maximum Flash memory access frequency (f <sub>Flashmax</sub> )	Number of wait states at maximum CPU frequency (f <sub>CPUmax</sub> =120 MHz) <sup>(1)</sup>	I/O operation	FSMC_CLK frequency for synchronous accesses	Possible Flash memory operations
V <sub>DD</sub> = 1.8 to 2.1 V <sup>(2)</sup>	Conversion time up to 1 Msps	16 MHz with no Flash memory wait state	7 <sup>(3)</sup>	– Degraded speed performance – No I/O compensation	Up to 30 MHz	8-bit erase and program operations only
V <sub>DD</sub> = 2.1 to 2.4 V	Conversion time up to 1 Msps	18 MHz with no Flash memory wait state	6 <sup>(3)</sup>	– Degraded speed performance – No I/O compensation	Up to 30 MHz	16-bit erase and program operations
V <sub>DD</sub> = 2.4 to 2.7 V	Conversion time up to 2 Msps	24 MHz with no Flash memory wait state	4 <sup>(3)</sup>	– Degraded speed performance – I/O compensation works	Up to 48 MHz	16-bit erase and program operations
V <sub>DD</sub> = 2.7 to 3.6 V <sup>(4)</sup>	Conversion time up to 2 Msps	30 MHz with no Flash memory wait state	3 <sup>(3)</sup>	– Full-speed operation – I/O compensation works	– Up to 60 MHz when V <sub>DD</sub> = 3.0 to 3.6 V – Up to 48 MHz when V <sub>DD</sub> = 2.7 to 3.0 V	32-bit erase and program operations

1. The number of wait states can be reduced by reducing the CPU frequency (see [Figure 21](#)).
2. On devices in WLCSP64+2 package, if IRROFF is set to V<sub>DD</sub>, the supply voltage can drop to 1.7 V when the device operates in the 0 to 70 °C temperature range using an external power supply supervisor (see [Section 3.16](#)).
3. Thanks to the ART accelerator and the 128-bit Flash memory, the number of wait states given here does not impact the execution speed from Flash memory since the ART accelerator allows to achieve a performance equivalent to 0 wait state program execution.
4. The voltage range for OTG USB FS can drop down to 2.7 V. However it is degraded between 2.7 and 3 V.



Figure 21. Number of wait states versus  $f_{CPU}$  and  $V_{DD}$  range



- The supply voltage can drop to 1.7 V when the device operates in the 0 to 70 °C temperature range and IRROFF is set to  $V_{DD}$ .

### 6.3.2 VCAP1/VCAP2 external capacitor

Stabilization for the main regulator is achieved by connecting an external capacitor to the VCAP1/VCAP2 pins.  $C_{EXT}$  is specified in [Table 16](#).

Figure 22. External capacitor  $C_{EXT}$



- Legend: ESR is the equivalent series resistance.

Table 16. VCAP1/VCAP2 operating conditions<sup>(1)</sup>

Symbol	Parameter	Conditions
$C_{EXT}$	Capacitance of external capacitor	2.2 $\mu F$
ESR	ESR of external capacitor	< 2 $\Omega$

- When bypassing the voltage regulator, the two 2.2  $\mu F$   $V_{CAP}$  capacitors are not required and must be replaced by two 100 nF decoupling capacitors.

**6.3.3 Operating conditions at power-up / power-down (regulator ON)**

Subject to general operating conditions for  $T_A$ .

**Table 17. Operating conditions at power-up / power-down (regulator ON)**

Symbol	Parameter	Min	Max	Unit
$t_{VDD}$	$V_{DD}$ rise time rate	20	$\infty$	$\mu\text{s/V}$
	$V_{DD}$ fall time rate	20	$\infty$	

**6.3.4 Operating conditions at power-up / power-down (regulator OFF)**

Subject to general operating conditions for  $T_A$ .

**Table 18. Operating conditions at power-up / power-down (regulator OFF)**

Symbol	Parameter	Conditions	Min	Max	Unit
$t_{VDD}$	$V_{DD}$ rise time rate	Power-up	20	$\infty$	$\mu\text{s/V}$
	$V_{DD}$ fall time rate	Power-down	20	$\infty$	
$t_{VCAP}$	$V_{CAP\_1}$ and $V_{CAP\_2}$ rise time rate	Power-up	20	$\infty$	
	$V_{CAP\_1}$ and $V_{CAP\_2}$ fall time rate	Power-down	20	$\infty$	

### 6.3.5 Embedded reset and power control block characteristics

The parameters given in [Table 19](#) are derived from tests performed under ambient temperature and  $V_{DD}$  supply voltage conditions summarized in [Table 14](#).

**Table 19. Embedded reset and power control block characteristics**

Symbol	Parameter	Conditions	Min	Typ	Max	Unit
$V_{PVD}$	Programmable voltage detector level selection	PLS[2:0]=000 (rising edge)	2.09	2.14	2.19	V
		PLS[2:0]=000 (falling edge)	1.98	2.04	2.08	
		PLS[2:0]=001 (rising edge)	2.23	2.30	2.37	
		PLS[2:0]=001 (falling edge)	2.13	2.19	2.25	
		PLS[2:0]=010 (rising edge)	2.39	2.45	2.51	
		PLS[2:0]=010 (falling edge)	2.29	2.35	2.39	
		PLS[2:0]=011 (rising edge)	2.54	2.60	2.65	
		PLS[2:0]=011 (falling edge)	2.44	2.51	2.56	
		PLS[2:0]=100 (rising edge)	2.70	2.76	2.82	
		PLS[2:0]=100 (falling edge)	2.59	2.66	2.71	
		PLS[2:0]=101 (rising edge)	2.86	2.93	2.99	
		PLS[2:0]=101 (falling edge)	2.75	2.84	3.02	
		PLS[2:0]=110 (rising edge)	2.96	3.03	3.10	
		PLS[2:0]=110 (falling edge)	2.85	2.93	2.99	
$V_{PVDhyst}^{(1)}$	PVD hysteresis	-	-	100	-	mV
$V_{POR/PDR}$	Power-on/power-down reset threshold	Falling edge	1.60	1.68	1.76	V
		Rising edge	1.64	1.72	1.80	
$V_{PDRhyst}^{(1)}$	PDR hysteresis	-	-	40	-	mV
$V_{BOR1}$	Brownout level 1 threshold	Falling edge	2.13	2.19	2.24	V
		Rising edge	2.23	2.29	2.33	
$V_{BOR2}$	Brownout level 2 threshold	Falling edge	2.44	2.50	2.56	
		Rising edge	2.53	2.59	2.63	
$V_{BOR3}$	Brownout level 3 threshold	Falling edge	2.75	2.83	2.88	
		Rising edge	2.85	2.92	2.97	
$V_{BORhyst}^{(1)}$	BOR hysteresis	-	-	100	-	mV
$T_{RSTTEMPO}^{(1)(2)}$	Reset temporization	-	0.5	1.5	3.0	ms

Table 19. Embedded reset and power control block characteristics (continued)

Symbol	Parameter	Conditions	Min	Typ	Max	Unit
$I_{RUSH}^{(1)}$	InRush current on voltage regulator power-on (POR or wakeup from Standby)	-	-	160	200	mA
$E_{RUSH}^{(1)}$	InRush energy on voltage regulator power-on (POR or wakeup from Standby)	$V_{DD} = 1.8\text{ V}$ , $T_A = 105\text{ °C}$ , $I_{RUSH} = 171\text{ mA}$ for $31\text{ }\mu\text{s}$	-	-	5.4	$\mu\text{C}$

1. Guaranteed by design, not tested in production.
2. The reset temporization is measured from the power-on (POR reset or wakeup from  $V_{BAT}$ ) to the instant when first instruction is read by the user application code.

### 6.3.6 Supply current characteristics

The current consumption is a function of several parameters and factors such as the operating voltage, ambient temperature, I/O pin loading, device software configuration, operating frequencies, I/O pin switching rate, program location in memory and executed binary code.

The current consumption is measured as described in [Figure 20: Current consumption measurement scheme](#).

All Run mode current consumption measurements given in this section are performed using CoreMark<sup>®</sup> code.

#### Typical and maximum current consumption

The MCU is placed under the following conditions:

- At startup, all I/O pins are configured as analog inputs by firmware.
- All peripherals are disabled except if it is explicitly mentioned.
- The Flash memory access time is adjusted to  $f_{HCLK}$  frequency (0 wait state from 0 to 30 MHz, 1 wait state from 30 to 60 MHz, 2 wait states from 60 to 90 MHz and 3 wait states from 90 to 120 MHz).
- When the peripherals are enabled HCLK is the system clock,  $f_{PCLK1} = f_{HCLK}/4$ , and  $f_{PCLK2} = f_{HCLK}/2$ , except is explicitly mentioned.
- The maximum values are obtained for  $V_{DD} = 3.6\text{ V}$  and maximum ambient temperature ( $T_A$ ), and the typical values for  $T_A = 25\text{ °C}$  and  $V_{DD} = 3.3\text{ V}$  unless otherwise specified.

**Table 20. Typical and maximum current consumption in Run mode, code with data processing running from Flash memory (ART accelerator enabled) or RAM <sup>(1)</sup>**

Symbol	Parameter	Conditions	f <sub>HCLK</sub>	Typ	Max <sup>(2)</sup>		Unit
				T <sub>A</sub> = 25 °C	T <sub>A</sub> = 85 °C	T <sub>A</sub> = 105 °C	
I <sub>DD</sub>	Supply current in Run mode	External clock <sup>(3)</sup> , all peripherals enabled <sup>(4)</sup>	120 MHz	49	63	72	mA
			90 MHz	38	51	61	
			60 MHz	26	39	49	
			30 MHz	14	27	37	
			25 MHz	11	24	34	
			16 MHz <sup>(5)</sup>	8	21	30	
			8 MHz	5	17	27	
			4 MHz	3	16	26	
		External clock <sup>(3)</sup> , all peripherals disabled	2 MHz	2	15	25	
			120 MHz	21	34	44	
			90 MHz	17	30	40	
			60 MHz	12	25	35	
			30 MHz	7	20	30	
			25 MHz	5	18	28	
			16 MHz <sup>(5)</sup>	4.0	17.0	27.0	
			8 MHz	2.5	15.5	25.5	
4 MHz	2.0	14.7	24.8				
2 MHz	1.6	14.5	24.6				

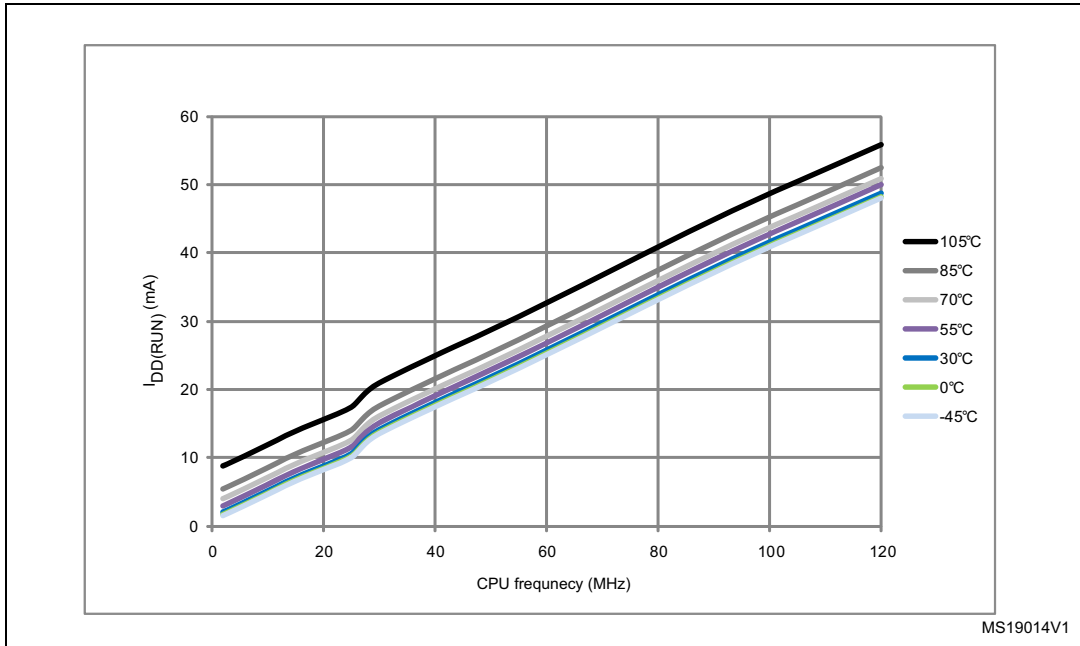
- Code and data processing running from SRAM1 using boot pins.
- Guaranteed by characterization, tested in production at V<sub>DD</sub> max and f<sub>HCLK</sub> max with peripherals enabled.
- External clock is 4 MHz and PLL is on when f<sub>HCLK</sub> > 25 MHz.
- When the ADC is on (ADON bit set in the ADC\_CR2 register), add an additional power consumption of 1.6 mA per ADC for the analog part.
- In this case HCLK = system clock/2.

**Table 21. Typical and maximum current consumption in Run mode, code with data processing running from Flash memory (ART accelerator disabled)**

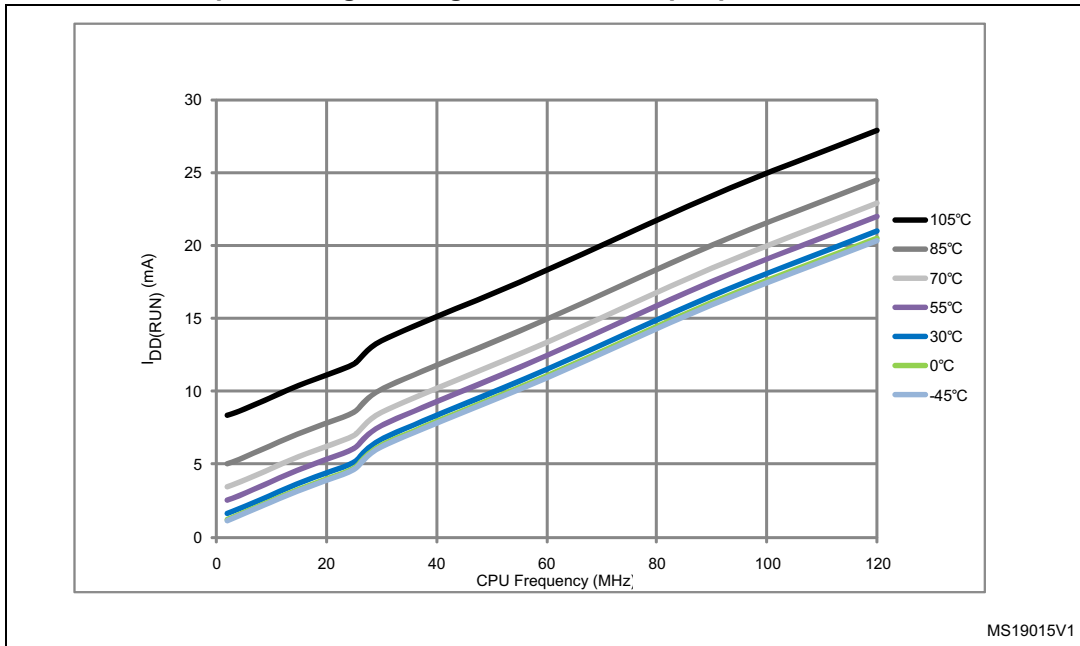
Symbol	Parameter	Conditions	f <sub>HCLK</sub>	Typ	Max <sup>(1)</sup>		Unit
				T <sub>A</sub> = 25 °C	T <sub>A</sub> = 85 °C	T <sub>A</sub> = 105 °C	
I <sub>DD</sub>	Supply current in Run mode	External clock <sup>(2)</sup> , all peripherals enabled <sup>(3)</sup>	120 MHz	61	81	93	mA
			90 MHz	48	68	80	
			60 MHz	33	53	65	
			30 MHz	18	38	50	
			25 MHz	14	34	46	
			16 MHz <sup>(4)</sup>	10	30	42	
			8 MHz	6	26	38	
			4 MHz	4	24	36	
		External clock <sup>(2)</sup> , all peripherals disabled	120 MHz	33	54	66	
			90 MHz	27	47	59	
			60 MHz	19	39	51	
			30 MHz	11	31	43	
			25 MHz	8	28	41	
			16 MHz <sup>(4)</sup>	6	26	38	
			8 MHz	4	24	36	
			4 MHz	3	23	35	
		2 MHz	2	23	34		

1. Guaranteed by characterization results, tested in production at V<sub>DD</sub> max and f<sub>HCLK</sub> max with peripherals enabled.
2. External clock is 4 MHz and PLL is on when f<sub>HCLK</sub> > 25 MHz.
3. When the ADC is on (ADON bit set in the ADC\_CR2 register), add an additional power consumption of 1.6 mA per ADC for the analog part.
4. In this case HCLK = system clock/2.

**Figure 23. Typical current consumption vs. temperature, Run mode, code with data processing running from RAM, and peripherals ON**



**Figure 24. Typical current consumption vs. temperature, Run mode, code with data processing running from RAM, and peripherals OFF**



**Figure 25. Typical current consumption vs. temperature, Run mode, code with data processing running from Flash, ART accelerator OFF, peripherals ON**



**Figure 26. Typical current consumption vs. temperature, Run mode, code with data processing running from Flash, ART accelerator OFF, peripherals OFF**





Table 22. Typical and maximum current consumption in Sleep mode

Symbol	Parameter	Conditions	f <sub>HCLK</sub>	Typ	Max <sup>(1)</sup>		Unit
				T <sub>A</sub> = 25 °C	T <sub>A</sub> = 85 °C	T <sub>A</sub> = 105 °C	
I <sub>DD</sub>	Supply current in Sleep mode	External clock <sup>(2)</sup> , all peripherals enabled <sup>(3)</sup>	120 MHz	38	51	61	mA
			90 MHz	30	43	53	
			60 MHz	20	33	43	
			30 MHz	11	25	35	
			25 MHz	8	21	31	
			16 MHz	6	19	29	
			8 MHz	3.6	17.0	27.0	
			4 MHz	2.4	15.4	25.3	
		2 MHz	1.9	14.9	24.7		
		External clock <sup>(2)</sup> , all peripherals disabled	120 MHz	8	21	31	
			90 MHz	7	20	30	
			60 MHz	5	18	28	
			30 MHz	3.5	16.0	26.0	
			25 MHz	2.5	16.0	25.0	
			16 MHz	2.1	15.1	25.0	
			8 MHz	1.7	15.0	25.0	
4 MHz	1.5		14.6	24.6			
2 MHz	1.4	14.2	24.3				

1. Guaranteed by characterization results, tested in production at V<sub>DD</sub> max and f<sub>HCLK</sub> max with peripherals enabled.
2. External clock is 4 MHz and PLL is on when f<sub>HCLK</sub> > 25 MHz.
3. Add an additional power consumption of 1.6 mA per ADC for the analog part. In applications, this consumption occurs only while the ADC is on (ADON bit is set in the ADC\_CR2 register).

**Figure 27. Typical current consumption vs. temperature in Sleep mode, peripherals ON**



**Figure 28. Typical current consumption vs. temperature in Sleep mode, peripherals OFF**



**Table 23. Typical and maximum current consumptions in Stop mode**

Symbol	Parameter	Conditions	Typ	Max				Unit
			T <sub>A</sub> = 25 °C	T <sub>A</sub> = 25 °C	T <sub>A</sub> = 85 °C	T <sub>A</sub> = 105 °C		
I <sub>DD_STOP</sub>	Supply current in Stop mode with main regulator in Run mode	Flash in Stop mode, low-speed and high-speed internal RC oscillators and high-speed oscillator OFF (no independent watchdog)	0.55	1.2	11.00	20.00	mA	
		Flash in Deep power down mode, low-speed and high-speed internal RC oscillators and high-speed oscillator OFF (no independent watchdog)	0.50	1.2	11.00	20.00		
	Supply current in Stop mode with main regulator in Low-power mode	Flash in Stop mode, low-speed and high-speed internal RC oscillators and high-speed oscillator OFF (no independent watchdog)	0.35	1.1	8.00	15.00		
		Flash in Deep power down mode, low-speed and high-speed internal RC oscillators and high-speed oscillator OFF (no independent watchdog)	0.30	1.1	8.00	15.00		

**Figure 29. Typical current consumption vs. temperature in Stop mode**



1. All typical and maximum values from table 18 and figure 26 will be reduced over time by up to 50% as part of ST continuous improvement of test procedures. New versions of the datasheet will be released to reflect these changes

**Table 24. Typical and maximum current consumptions in Standby mode**

Symbol	Parameter	Conditions	Typ			Max <sup>(1)</sup>		Unit
			T <sub>A</sub> = 25 °C			T <sub>A</sub> = 85 °C	T <sub>A</sub> = 105 °C	
			V <sub>DD</sub> = 1.8 V	V <sub>DD</sub> = 2.4 V	V <sub>DD</sub> = 3.3 V	V <sub>DD</sub> = 3.6 V		
I <sub>DD_STBY</sub>	Supply current in Standby mode	Backup SRAM ON, low-speed oscillator and RTC ON	3.0	3.4	4.0	15.1	25.8	µA
		Backup SRAM OFF, low-speed oscillator and RTC ON	2.4	2.7	3.3	12.4	20.5	
		Backup SRAM ON, RTC OFF	2.4	2.6	3.0	12.5	24.8	
		Backup SRAM OFF, RTC OFF	1.7	1.9	2.2	9.8	19.2	

1. Guaranteed by characterization results, not tested in production.

**Table 25. Typical and maximum current consumptions in V<sub>BAT</sub> mode**

Symbol	Parameter	Conditions	Typ			Max <sup>(1)</sup>		Unit
			T <sub>A</sub> = 25 °C			T <sub>A</sub> = 85 °C	T <sub>A</sub> = 105 °C	
			V <sub>DD</sub> = 1.8 V	V <sub>DD</sub> = 2.4 V	V <sub>DD</sub> = 3.3 V	V <sub>DD</sub> = 3.6 V		
I <sub>DD_VBAT</sub>	Backup domain supply current	Backup SRAM ON, low-speed oscillator and RTC ON	1.29	1.42	1.68	12	19	µA
		Backup SRAM OFF, low-speed oscillator and RTC ON	0.62	0.73	0.96	8	10	
		Backup SRAM ON, RTC OFF	0.79	0.81	0.86	9	16	
		Backup SRAM OFF, RTC OFF	0.10	0.10	0.10	5	7	

1. Guaranteed by characterization results, not tested in production.

**On-chip peripheral current consumption**

The current consumption of the on-chip peripherals is given in [Table 26](#). The MCU is placed under the following conditions:

- At startup, all I/O pins are configured as analog inputs by firmware.
- All peripherals are disabled unless otherwise mentioned
- The given value is calculated by measuring the current consumption
  - with all peripherals clocked off
  - with one peripheral clocked on (with only the clock applied)
- The code is running from Flash memory and the Flash memory access time is equal to 3 wait states at 120 MHz
- Prefetch and Cache ON
- When the peripherals are enabled, HCLK = 120MHz, f<sub>PCLK1</sub> = f<sub>HCLK</sub>/4, and f<sub>PCLK2</sub> = f<sub>HCLK</sub>/2
- The typical values are obtained for V<sub>DD</sub> = 3.3 V and T<sub>A</sub> = 25 °C, unless otherwise specified.



Table 26. Peripheral current consumption

Peripheral <sup>(1)</sup>		Typical consumption at 25 °C	Unit
AHB1	GPIO A	0.45	mA
	GPIO B	0.43	
	GPIO C	0.46	
	GPIO D	0.44	
	GPIO E	0.44	
	GPIO F	0.42	
	GPIO G	0.44	
	GPIO H	0.42	
	GPIO I	0.43	
	OTG_HS + ULPI	3.64	
	CRC	1.17	
	BKPSRAM	0.21	
	DMA1	2.76	
	DMA2	2.85	
ETH_MAC + ETH_MAC_TX ETH_MAC_RX ETH_MAC_PTP	2.99		
AHB2	OTG_FS	3.16	
	DCMI	0.60	
AHB3	FSMC	1.74	

**Table 26. Peripheral current consumption (continued)**

Peripheral <sup>(1)</sup>		Typical consumption at 25 °C	Unit
APB1	TIM2	0.61	mA
	TIM3	0.49	
	TIM4	0.54	
	TIM5	0.62	
	TIM6	0.20	
	TIM7	0.20	
	TIM12	0.36	
	TIM13	0.28	
	TIM14	0.25	
	USART2	0.25	
	USART3	0.25	
	UART4	0.25	
	UART5	0.26	
	I2C1	0.25	
	I2C2	0.25	
	I2C3	0.25	
	SPI2	0.20/0.10	
	SPI3	0.18/0.09	
	CAN1	0.31	
	CAN2	0.30	
	DAC channel 1 <sup>(2)</sup>	1.11	
	DAC channel 1 <sup>(3)</sup>	1.11	
	PWR	0.15	
WWDG	0.15		

**Table 26. Peripheral current consumption (continued)**

Peripheral <sup>(1)</sup>		Typical consumption at 25 °C	Unit
APB2	SDIO	0.69	mA
	TIM1	1.06	
	TIM8	1.03	
	TIM9	0.58	
	TIM10	0.37	
	TIM11	0.39	
	ADC1 <sup>(4)</sup>	2.13	
	ADC2 <sup>(4)</sup>	2.04	
	ADC3 <sup>(4)</sup>	2.12	
	SPI1	1.20	
	USART1	0.38	
	USART6	0.37	

1. External clock is 25 MHz (HSE oscillator with 25 MHz crystal) and PLL is on.
2. EN1 bit is set in DAC\_CR register.
3. EN2 bit is set in DAC\_CR register.
4.  $f_{ADC} = f_{PCLK2}/2$ , ADON bit set in ADC\_CR2 register.

### 6.3.7 Wakeup time from Low-power mode

The wakeup times given in [Table 27](#) is measured on a wakeup phase with a 16 MHz HSI RC oscillator. The clock source used to wake up the device depends from the current operating mode:

- Stop or Standby mode: the clock source is the RC oscillator
- Sleep mode: the clock source is the clock that was set before entering Sleep mode.

All timings are derived from tests performed under ambient temperature and  $V_{DD}$  supply voltage conditions summarized in [Table 14](#).

**Table 27. Low-power mode wakeup timings**

Symbol	Parameter	Min <sup>(1)</sup>	Typ <sup>(1)</sup>	Max <sup>(1)</sup>	Unit
$t_{WUSLEEP}^{(2)}$	Wakeup from Sleep mode	-	1	-	µs
$t_{WUSTOP}^{(2)}$	Wakeup from Stop mode (regulator in Run mode)	-	13	-	µs
	Wakeup from Stop mode (regulator in Low-power mode)	-	17	40	
	Wakeup from Stop mode (regulator in Low-power mode and Flash memory in Deep power down mode)	-	110	-	
$t_{WUSTDBY}^{(2)(3)}$	Wakeup from Standby mode	260	375	480	µs

1. Guaranteed by characterization results, not tested in production.
2. The wakeup times are measured from the wakeup event to the point in which the application code reads the first instruction.
3.  $t_{WUSTDBY}$  minimum and maximum values are given at 105 °C and -45 °C, respectively.

### 6.3.8 External clock source characteristics

#### High-speed external user clock generated from an external source

The characteristics given in [Table 28](#) result from tests performed using an high-speed external clock source, and under ambient temperature and supply voltage conditions summarized in [Table 14](#).

**Table 28. High-speed external user clock characteristics**

Symbol	Parameter	Conditions	Min	Typ	Max	Unit
$f_{HSE\_ext}$	External user clock source frequency <sup>(1)</sup>	-	1	-	26	MHz
$V_{HSEH}$	OSC_IN input pin high level voltage		$0.7V_{DD}$	-	$V_{DD}$	V
$V_{HSEL}$	OSC_IN input pin low level voltage		$V_{SS}$	-	$0.3V_{DD}$	
$t_{w(HSE)}$ $t_{f(HSE)}$	OSC_IN high or low time <sup>(1)</sup>		5	-	-	ns
$t_{r(HSE)}$ $t_{f(HSE)}$	OSC_IN rise or fall time <sup>(1)</sup>		-	-	20	
$C_{in(HSE)}$	OSC_IN input capacitance <sup>(1)</sup>		-	-	5	pF
$DuCy_{(HSE)}$	Duty cycle		-	45	-	55
$I_L$	OSC_IN Input leakage current	$V_{SS} \leq V_{IN} \leq V_{DD}$	-	-	$\pm 1$	$\mu A$

1. Guaranteed by design, not tested in production.

#### Low-speed external user clock generated from an external source

The characteristics given in [Table 29](#) result from tests performed using an low-speed external clock source, and under ambient temperature and supply voltage conditions summarized in [Table 14](#).

**Table 29. Low-speed external user clock characteristics**

Symbol	Parameter	Conditions	Min	Typ	Max	Unit
$f_{LSE\_ext}$	User External clock source frequency <sup>(1)</sup>	-	-	32.768	1000	kHz
$V_{LSEH}$	OSC32_IN input pin high level voltage		$0.7V_{DD}$	-	$V_{DD}$	V
$V_{LSEL}$	OSC32_IN input pin low level voltage		$V_{SS}$	-	$0.3V_{DD}$	
$t_{w(LSE)}$ $t_{f(LSE)}$	OSC32_IN high or low time <sup>(1)</sup>		450	-	-	ns
$t_{r(LSE)}$ $t_{f(LSE)}$	OSC32_IN rise or fall time <sup>(1)</sup>		-	-	50	
$C_{in(LSE)}$	OSC32_IN input capacitance <sup>(1)</sup>		-	-	5	pF
$DuCy_{(LSE)}$	Duty cycle		-	30	-	70
$I_L$	OSC32_IN Input leakage current	$V_{SS} \leq V_{IN} \leq V_{DD}$	-	-	$\pm 1$	$\mu A$

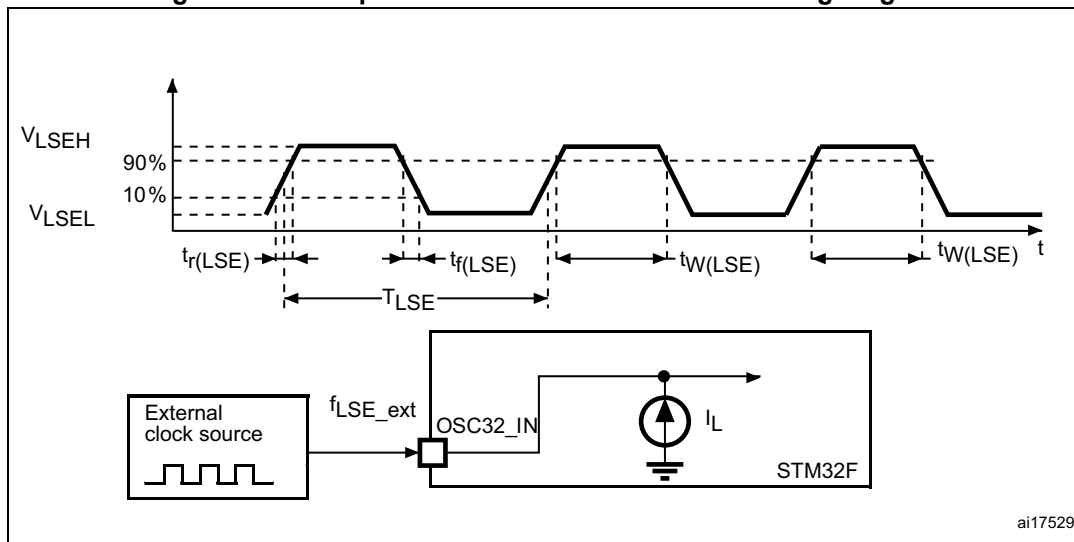
1. Guaranteed by design, not tested in production.



Figure 30. High-speed external clock source AC timing diagram



Figure 31. Low-speed external clock source AC timing diagram



### High-speed external clock generated from a crystal/ceramic resonator

The high-speed external (HSE) clock can be supplied with a 4 to 26 MHz crystal/ceramic resonator oscillator. All the information given in this paragraph are based on characterization results obtained with typical external components specified in [Table 30](#). In the application, the resonator and the load capacitors have to be placed as close as possible to the oscillator pins in order to minimize output distortion and startup stabilization time. Refer to the crystal resonator manufacturer for more details on the resonator characteristics (frequency, package, accuracy).

**Table 30. HSE 4-26 MHz oscillator characteristics<sup>(1) (2)</sup>**

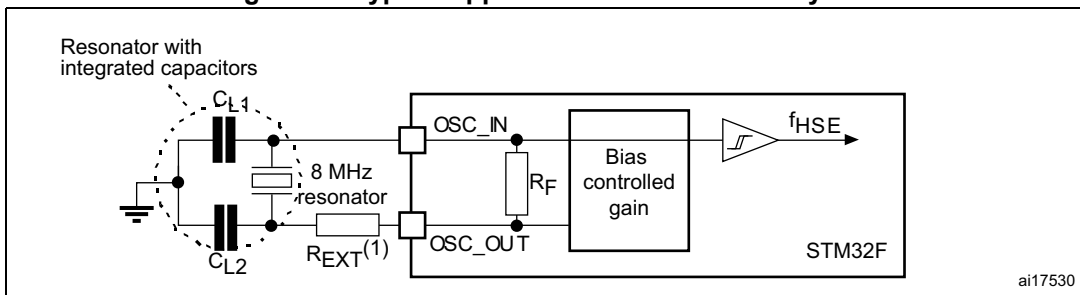
Symbol	Parameter	Conditions	Min	Typ	Max	Unit
$f_{OSC\_IN}$	Oscillator frequency	-	4	-	26	MHz
$R_F$	Feedback resistor	-	-	200	-	k $\Omega$
$I_{DD}$	HSE current consumption	$V_{DD}=3.3\text{ V}$ , ESR= 30 $\Omega$ , $C_L=5\text{ pF}@25\text{ MHz}$	-	449	-	$\mu\text{A}$
		$V_{DD}=3.3\text{ V}$ , ESR= 30 $\Omega$ , $C_L=10\text{ pF}@25\text{ MHz}$	-	532	-	
$g_m$	Oscillator transconductance	Startup	5	-	-	mA/V
$t_{SU(HSE)}^{(3)}$	Startup time	$V_{DD}$ is stabilized	-	2	-	ms

1. Resonator characteristics given by the crystal/ceramic resonator manufacturer.
2. Guaranteed by characterization results, not tested in production.
3.  $t_{SU(HSE)}$  is the startup time measured from the moment it is enabled (by software) to a stabilized 8 MHz oscillation is reached. This value is measured for a standard crystal resonator and it can vary significantly with the crystal manufacturer

For  $C_{L1}$  and  $C_{L2}$ , it is recommended to use high-quality external ceramic capacitors in the 5 pF to 25 pF range (typ.), designed for high-frequency applications, and selected to match the requirements of the crystal or resonator (see [Figure 32](#)).  $C_{L1}$  and  $C_{L2}$  are usually the same size. The crystal manufacturer typically specifies a load capacitance which is the series combination of  $C_{L1}$  and  $C_{L2}$ . PCB and MCU pin capacitance must be included (10 pF can be used as a rough estimate of the combined pin and board capacitance) when sizing  $C_{L1}$  and  $C_{L2}$ .

*Note:* For information on electing the crystal, refer to the application note AN2867 “Oscillator design guide for ST microcontrollers” available from the ST website [www.st.com](http://www.st.com).

**Figure 32. Typical application with an 8 MHz crystal**



1.  $R_{EXT}$  value depends on the crystal characteristics.

**Low-speed external clock generated from a crystal/ceramic resonator**

The low-speed external (LSE) clock can be supplied with a 32.768 kHz crystal/ceramic resonator oscillator. All the information given in this paragraph are based on characterization results obtained with typical external components specified in [Table 31](#). In the application, the resonator and the load capacitors have to be placed as close as possible to the oscillator pins in order to minimize output distortion and startup stabilization time. Refer to the crystal resonator manufacturer for more details on the resonator characteristics (frequency, package, accuracy).

**Table 31. LSE oscillator characteristics ( $f_{LSE} = 32.768 \text{ kHz}$ ) <sup>(1)</sup>**

Symbol	Parameter	Conditions	Min	Typ	Max	Unit
$R_F$	Feedback resistor	-	-	18.4	-	$M\Omega$
$I_{DD}$	LSE current consumption	-	-	-	1	$\mu A$
$g_m$	Oscillator Transconductance	-	2.8	-	-	$\mu A/V$
$t_{SU(LSE)}^{(2)}$	startup time	$V_{DD}$ is stabilized	-	2	-	s

1. Guaranteed by design, not tested in production.
2.  $t_{SU(LSE)}$  is the startup time measured from the moment it is enabled (by software) to a stabilized 32.768 kHz oscillation is reached. This value is measured for a standard crystal resonator and it can vary significantly with the crystal manufacturer

**Note:** For information on electing the crystal, refer to the application note AN2867 “Oscillator design guide for ST microcontrollers” available from the ST website [www.st.com](http://www.st.com).

**Figure 33. Typical application with a 32.768 kHz crystal**



### 6.3.9 Internal clock source characteristics

The parameters given in [Table 32](#) and [Table 33](#) are derived from tests performed under ambient temperature and  $V_{DD}$  supply voltage conditions summarized in [Table 14](#).

#### High-speed internal (HSI) RC oscillator

**Table 32. HSI oscillator characteristics <sup>(1)</sup>**

Symbol	Parameter	Conditions	Min	Typ	Max	Unit
$f_{HSI}$	Frequency	-	-	16	-	MHz
$ACC_{HSI}$	HSI user-trimming step <sup>(2)</sup>	-	-	-	1	%
	Accuracy of the HSI oscillator	$T_A = -40 \text{ to } 105 \text{ }^\circ\text{C}^{(3)}$	-8	-	4.5	%
		$T_A = -10 \text{ to } 85 \text{ }^\circ\text{C}^{(3)}$	-4	-	4	%
	$T_A = 25 \text{ }^\circ\text{C}^{(4)}$	-1	-	1	%	
$t_{SU(HSI)}^{(2)}$	HSI oscillator startup time	-	-	2.2	4.0	$\mu s$
$I_{DD(HSI)}^{(2)}$	HSI oscillator power consumption	-	-	60	80	$\mu A$

1.  $V_{DD} = 3.3 \text{ V}$ , PLL OFF,  $T_A = -40 \text{ to } 105 \text{ }^\circ\text{C}$  unless otherwise specified.
2. Guaranteed by design, not tested in production.
3. Guaranteed by characterization results.
4. Factory calibrated, parts not soldered.

Figure 34. ACC<sub>HSI</sub> versus temperature



MS19012V2

Low-speed internal (LSI) RC oscillator

Table 33. LSI oscillator characteristics <sup>(1)</sup>

Symbol	Parameter	Min	Typ	Max	Unit
f <sub>LSI</sub> <sup>(2)</sup>	Frequency	17	32	47	kHz
t <sub>su(LSI)</sub> <sup>(3)</sup>	LSI oscillator startup time	-	15	40	µs
I <sub>DD(LSI)</sub> <sup>(3)</sup>	LSI oscillator power consumption	-	0.4	0.6	µA

1. V<sub>DD</sub> = 3 V, T<sub>A</sub> = -40 to 105 °C unless otherwise specified.
2. Guaranteed by characterization results, not tested in production.
3. Guaranteed by design, not tested in production.

Figure 35. ACC<sub>LSI</sub> versus temperature



### 6.3.10 PLL characteristics

The parameters given in [Table 34](#) and [Table 35](#) are derived from tests performed under temperature and V<sub>DD</sub> supply voltage conditions summarized in [Table 14](#).

Table 34. Main PLL characteristics

Symbol	Parameter	Conditions	Min	Typ	Max	Unit
f <sub>PLL_IN</sub>	PLL input clock <sup>(1)</sup>	-	0.95 <sup>(2)</sup>	1	2.10 <sup>(2)</sup>	MHz
f <sub>PLL_OUT</sub>	PLL multiplier output clock	-	24	-	120	
f <sub>PLL48_OUT</sub>	48 MHz PLL multiplier output clock	-	-	-	48	
f <sub>VCO_OUT</sub>	PLL VCO output	-	192	-	432	
t <sub>LOCK</sub>	PLL lock time	VCO freq = 192 MHz	75	-	200	μs
		VCO freq = 432 MHz	100	-	300	

**Table 34. Main PLL characteristics (continued)**

Symbol	Parameter	Conditions	Min	Typ	Max	Unit	
Jitter <sup>(3)</sup>	Cycle-to-cycle jitter	System clock 120 MHz	RMS	-	25	-	ps
			peak to peak	-	±150	-	
	Period Jitter		RMS	-	15	-	
			peak to peak	-	±200	-	
	Main clock output (MCO) for RMII Ethernet	Cycle to cycle at 50 MHz on 1000 samples	-	32	-		
	Main clock output (MCO) for MII Ethernet	Cycle to cycle at 25 MHz on 1000 samples	-	40	-		
Bit Time CAN jitter	Cycle to cycle at 1 MHz on 1000 samples	-	330	-			
I <sub>DD(PLL)</sub> <sup>(4)</sup>	PLL power consumption on VDD	VCO freq = 192 MHz VCO freq = 432 MHz	0.15 0.45	-	0.40 0.75	mA	
I <sub>DDA(PLL)</sub> <sup>(4)</sup>	PLL power consumption on VDDA	VCO freq = 192 MHz VCO freq = 432 MHz	0.30 0.55	-	0.40 0.85		

1. Take care of using the appropriate division factor M to obtain the specified PLL input clock values. The M factor is shared between PLL and PLLI2S.
2. Guaranteed by design, not tested in production.
3. The use of 2 PLLs in parallel could degraded the Jitter up to +30%.
4. Guaranteed by characterization results, not tested in production.

**Table 35. PLLI2S (audio PLL) characteristics**

Symbol	Parameter	Conditions	Min	Typ	Max	Unit	
f <sub>PLLI2S_IN</sub>	PLLI2S input clock <sup>(1)</sup>	-	0.95 <sup>(2)</sup>	1	2.10 <sup>(2)</sup>	MHz	
f <sub>PLLI2S_OUT</sub>	PLLI2S multiplier output clock	-	-	-	216		
f <sub>VCO_OUT</sub>	PLLI2S VCO output	-	192	-	432		
t <sub>LOCK</sub>	PLLI2S lock time	VCO freq = 192 MHz	75	-	200	µs	
		VCO freq = 432 MHz	100	-	300		
Jitter <sup>(3)</sup>	Master I2S clock jitter	Cycle to cycle at 12.288 MHz on 48 KHz period, N=432, R=5	RMS	-	90	-	ps
			peak to peak	-	±280	-	
	Average frequency of 12.288 MHz N=432, R=5 on 1000 samples		-	90	-		
	WS I2S clock jitter	Cycle to cycle at 48 KHz on 1000 samples	-	400	-		

**Table 35. PLLI2S (audio PLL) characteristics (continued)**

Symbol	Parameter	Conditions	Min	Typ	Max	Unit
$I_{DD(PLLI2S)}^{(4)}$	PLLI2S power consumption on $V_{DD}$	VCO freq = 192 MHz VCO freq = 432 MHz	0.15 0.45	-	0.40 0.75	mA
$I_{DDA(PLLI2S)}^{(4)}$	PLLI2S power consumption on $V_{DDA}$	VCO freq = 192 MHz VCO freq = 432 MHz	0.30 0.55	-	0.40 0.85	mA

1. Take care of using the appropriate division factor M to have the specified PLL input clock values.
2. Guaranteed by design, not tested in production.
3. Value given with main PLL running.
4. Guaranteed by characterization results, not tested in production.

### 6.3.11 PLL spread spectrum clock generation (SSCG) characteristics

The spread spectrum clock generation (SSCG) feature allows to reduce electromagnetic interferences (see [Table 42: EMI characteristics](#)). It is available only on the main PLL.

**Table 36. SSCG parameters constraint**

Symbol	Parameter	Min	Typ	Max <sup>(1)</sup>	Unit
$f_{Mod}$	Modulation frequency	-	-	10	KHz
md	Peak modulation depth	0.25	-	2	%
MODEPER * INCSTEP	-	-	-	$2^{15}-1$	-

1. Guaranteed by design, not tested in production.

#### Equation 1

The frequency modulation period (MODEPER) is given by the equation below:

$$MODEPER = \text{round}[f_{PLL\_IN}/(4 \times f_{Mod})]$$

$f_{PLL\_IN}$  and  $f_{Mod}$  must be expressed in Hz.

As an example:

If  $f_{PLL\_IN} = 1$  MHz and  $f_{MOD} = 1$  kHz, the modulation depth (MODEPER) is given by equation 1:

$$MODEPER = \text{round}[10^6/(4 \times 10^3)] = 250$$

#### Equation 2

Equation 2 allows to calculate the increment step (INCSTEP):

$$INCSTEP = \text{round}[(2^{15} - 1) \times md \times PLLN]/(100 \times 5 \times MODEPER)]$$

$f_{VCO\_OUT}$  must be expressed in MHz.

With a modulation depth (md) = ±2 % (4 % peak to peak), and PLLN = 240 (in MHz):

$$INCSTEP = \text{round}[(2^{15} - 1) \times 2 \times 240]/(100 \times 5 \times 250)] = 126md(\text{quantitized})\%$$

An amplitude quantization error may be generated because the linear modulation profile is obtained by taking the quantized values (rounded to the nearest integer) of MODPER and INCSTEP. As a result, the achieved modulation depth is quantized. The percentage quantized modulation depth is given by the following formula:

$$md_{\text{quantized}}\% = (\text{MODEPER} \times \text{INCSTEP} \times 100 \times 5) / ((2^{15} - 1) \times \text{PLLN})$$

As a result:

$$md_{\text{quantized}}\% = (250 \times 126 \times 100 \times 5) / ((2^{15} - 1) \times 240) = 2.0002\%(\text{peak})$$

Figure 36 and Figure 37 show the main PLL output clock waveforms in center spread and down spread modes, where:

- F0 is  $f_{\text{PLL\_OUT}}$  nominal.
- $T_{\text{mode}}$  is the modulation period.
- md is the modulation depth.

Figure 36. PLL output clock waveforms in center spread mode

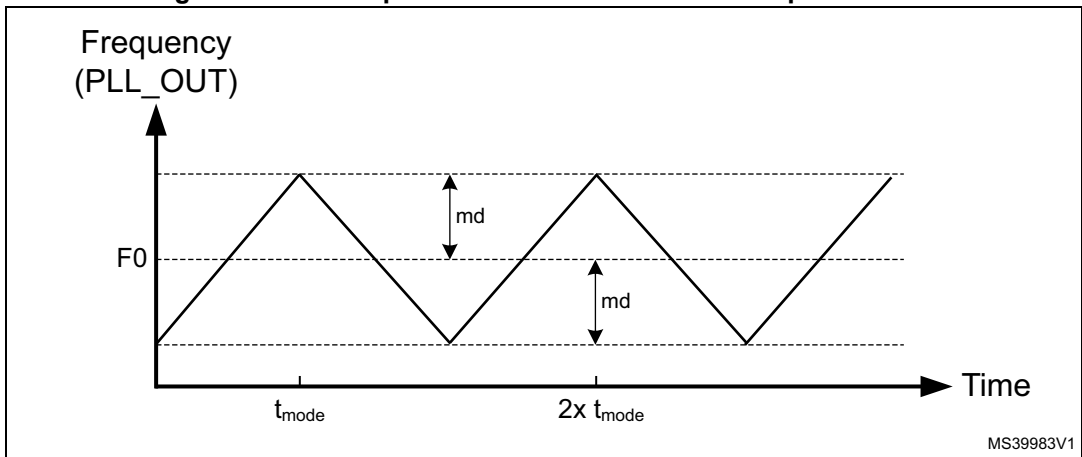
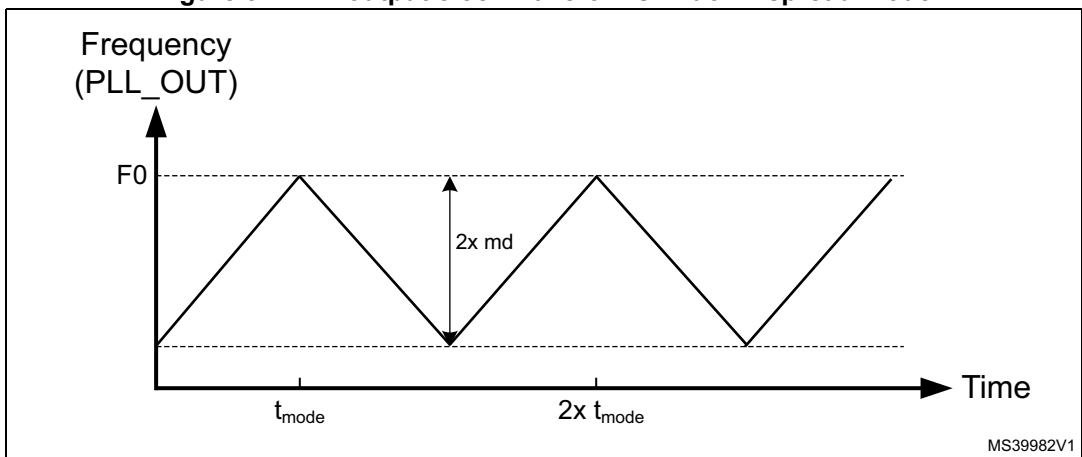


Figure 37. PLL output clock waveforms in down spread mode





### 6.3.12 Memory characteristics

#### Flash memory

The characteristics are given at  $T_A = -40$  to  $105$  °C unless otherwise specified.

**Table 37. Flash memory characteristics**

Symbol	Parameter	Conditions	Min	Typ	Max	Unit
$I_{DD}$	Supply current	Write / Erase 8-bit mode $V_{DD} = 1.8$ V	-	5	-	mA
		Write / Erase 16-bit mode $V_{DD} = 2.1$ V	-	8	-	
		Write / Erase 32-bit mode $V_{DD} = 3.3$ V	-	12	-	

**Table 38. Flash memory programming**

Symbol	Parameter	Conditions	Min <sup>(1)</sup>	Typ	Max <sup>(1)</sup>	Unit
$t_{prog}$	Word programming time	Program/erase parallelism (PSIZE) = x 8/16/32	-	16	100 <sup>(2)</sup>	$\mu$ s
$t_{ERASE16KB}$	Sector (16 KB) erase time	Program/erase parallelism (PSIZE) = x 8	-	400	800	ms
		Program/erase parallelism (PSIZE) = x 16	-	300	600	
		Program/erase parallelism (PSIZE) = x 32	-	250	500	
$t_{ERASE64KB}$	Sector (64 KB) erase time	Program/erase parallelism (PSIZE) = x 8	-	1200	2400	ms
		Program/erase parallelism (PSIZE) = x 16	-	700	1400	
		Program/erase parallelism (PSIZE) = x 32	-	550	1100	
$t_{ERASE128KB}$	Sector (128 KB) erase time	Program/erase parallelism (PSIZE) = x 8	-	2	4	s
		Program/erase parallelism (PSIZE) = x 16	-	1.3	2.6	
		Program/erase parallelism (PSIZE) = x 32	-	1	2	
$t_{ME}$	Mass erase time	Program/erase parallelism (PSIZE) = x 8	-	16	32	s
		Program/erase parallelism (PSIZE) = x 16	-	11	22	
		Program/erase parallelism (PSIZE) = x 32	-	8	16	

**Table 38. Flash memory programming (continued)**

Symbol	Parameter	Conditions	Min <sup>(1)</sup>	Typ	Max <sup>(1)</sup>	Unit
V <sub>prog</sub>	Programming voltage	32-bit program operation	2.7	-	3.6	V
		16-bit program operation	2.1	-	3.6	
		8-bit program operation	1.8	-	3.6	

1. Guaranteed by characterization results, not tested in production.
2. The maximum programming time is measured after 100K erase operations.

**Table 39. Flash memory programming with V<sub>PP</sub>**

Symbol	Parameter	Conditions	Min <sup>(1)</sup>	Typ	Max <sup>(1)</sup>	Unit
t <sub>prog</sub>	Double word programming	T <sub>A</sub> = 0 to +40 °C V <sub>DD</sub> = 3.3 V V <sub>PP</sub> = 8.5 V	-	16	100 <sup>(2)</sup>	µs
t <sub>ERASE16KB</sub>	Sector (16 KB) erase time		-	230	-	ms
t <sub>ERASE64KB</sub>	Sector (64 KB) erase time		-	490	-	
t <sub>ERASE128KB</sub>	Sector (128 KB) erase time		-	875	-	
t <sub>ME</sub>	Mass erase time	-	-	6.9	-	s
V <sub>prog</sub>	Programming voltage	-	2.7	-	3.6	V
V <sub>PP</sub>	V <sub>PP</sub> voltage range	-	7	-	9	V
I <sub>PP</sub>	Minimum current sunk on the V <sub>PP</sub> pin	-	10	-	-	mA
t <sub>VPP</sub> <sup>(3)</sup>	Cumulative time during which V <sub>PP</sub> is applied	-	-	-	1	hour

1. Guaranteed by design, not tested in production.
2. The maximum programming time is measured after 100K erase operations.
3. V<sub>PP</sub> must only be connected during programming/erasing.

**Table 40. Flash memory endurance and data retention**

Symbol	Parameter	Conditions	Value	Unit
			Min <sup>(1)</sup>	
N <sub>END</sub>	Endurance	T <sub>A</sub> = -40 to +85 °C (6 suffix versions) T <sub>A</sub> = -40 to +105 °C (7 suffix versions)	10	kcycles
t <sub>RET</sub>	Data retention	1 kcycle <sup>(2)</sup> at T <sub>A</sub> = 85 °C	30	Years
		1 kcycle <sup>(2)</sup> at T <sub>A</sub> = 105 °C	10	
		10 kcycles <sup>(2)</sup> at T <sub>A</sub> = 55 °C	20	

1. Guaranteed by characterization results, not tested in production.
2. Cycling performed over the whole temperature range.

### 6.3.13 EMC characteristics

Susceptibility tests are performed on a sample basis during device characterization.

#### Functional EMS (electromagnetic susceptibility)

While a simple application is executed on the device (toggling two LEDs through I/O ports), the device is stressed by two electromagnetic events until a failure occurs. The failure is indicated by the LEDs:

- **Electrostatic discharge (ESD)** (positive and negative) is applied to all device pins until a functional disturbance occurs. This test is compliant with the IEC 61000-4-2 standard.
- **FTB**: A burst of fast transient voltage (positive and negative) is applied to  $V_{DD}$  and  $V_{SS}$  through a 100 pF capacitor, until a functional disturbance occurs. This test is compliant with the IEC 61000-4-4 standard.

A device reset allows normal operations to be resumed.

The test results are given in [Table 41](#). They are based on the EMS levels and classes defined in application note AN1709.

**Table 41. EMS characteristics**

Symbol	Parameter	Conditions	Level/Class
$V_{FESD}$	Voltage limits to be applied on any I/O pin to induce a functional disturbance	$V_{DD} = 3.3\text{ V}$ , LQFP176, $T_A = +25\text{ °C}$ , $f_{HCLK} = 120\text{ MHz}$ , conforms to IEC 61000-4-2	2B
$V_{EFTB}$	Fast transient voltage burst limits to be applied through 100 pF on $V_{DD}$ and $V_{SS}$ pins to induce a functional disturbance	$V_{DD} = 3.3\text{ V}$ , LQFP176, $T_A = +25\text{ °C}$ , $f_{HCLK} = 120\text{ MHz}$ , conforms to IEC 61000-4-2	4A

#### Designing hardened software to avoid noise problems

EMC characterization and optimization are performed at component level with a typical application environment and simplified MCU software. Note that good EMC performance is highly dependent on the user application and the software in particular.

Therefore it is recommended that the user applies EMC software optimization and prequalification tests in relation with the EMC level requested for his application.

#### Software recommendations

The software flowchart must include the management of runaway conditions such as:

- Corrupted program counter
- Unexpected reset
- Critical data corruption (control registers...)

**Prequalification trials**

Most of the common failures (unexpected reset and program counter corruption) can be reproduced by manually forcing a low state on the NRST pin or the Oscillator pins for 1 second.

To complete these trials, ESD stress can be applied directly on the device, over the range of specification values. When unexpected behavior is detected, the software can be hardened to prevent unrecoverable errors occurring (see application note AN1015).

**Electromagnetic Interference (EMI)**

The electromagnetic field emitted by the device are monitored while a simple application, executing EEMBC® code, is running. This emission test is compliant with SAE IEC61967-2 standard which specifies the test board and the pin loading.

**Table 42. EMI characteristics**

Symbol	Parameter	Conditions	Monitored frequency band	Max vs. [f <sub>HSE</sub> /f <sub>CPU</sub> ]	Unit
				25/120 MHz	
S <sub>EMI</sub>	Peak level	V <sub>DD</sub> = 3.3 V, T <sub>A</sub> = 25 °C, LQFP176 package, conforming to SAE J1752/3 EEMBC, code running with ART enabled, peripheral clock disabled	0.1 to 30 MHz	25	dBµV
			30 to 130 MHz		
			130 MHz to 1 GHz		
			SAE EMI Level	4	-
		V <sub>DD</sub> = 3.3 V, T <sub>A</sub> = 25 °C, LQFP176 package, conforming to SAE J1752/3 EEMBC, code running with ART enabled, PLL spread spectrum enabled, peripheral clock disabled	0.1 to 30 MHz	28	dBµV
			30 to 130 MHz	26	
			130 MHz to 1 GHz	22	
			SAE EMI level	4	-

**6.3.14 Absolute maximum ratings (electrical sensitivity)**

Based on three different tests (ESD, LU) using specific measurement methods, the device is stressed in order to determine its performance in terms of electrical sensitivity.

**Electrostatic discharge (ESD)**

Electrostatic discharges (a positive then a negative pulse separated by 1 second) are applied to the pins of each sample according to each pin combination. The sample size depends on the number of supply pins in the device (3 parts × (n+1) supply pins). This test conforms to the JESD22-A114/C101 standard.

**Table 43. ESD absolute maximum ratings**

Symbol	Ratings	Conditions	Class	Maximum value <sup>(1)</sup>	Unit
V <sub>ESD(HBM)</sub>	Electrostatic discharge voltage (human body model)	T <sub>A</sub> = +25 °C conforming to JESD22-A114	2	2000 <sup>(2)</sup>	V
V <sub>ESD(CDM)</sub>	Electrostatic discharge voltage (charge device model)	T <sub>A</sub> = +25 °C conforming to JESD22-C101	II	500	



1. Guaranteed by characterization results, not tested in production.
2. On V<sub>BAT</sub> pin, V<sub>ESD(HBM)</sub> is limited to 1000 V.

### Static latch-up

Two complementary static tests are required on six parts to assess the latch-up performance:

- A supply overvoltage is applied to each power supply pin
- A current injection is applied to each input, output and configurable I/O pin

These tests are compliant with EIA/JESD 78A IC latch-up standard.

**Table 44. Electrical sensitivities**

Symbol	Parameter	Conditions	Class
LU	Static latch-up class	T <sub>A</sub> = +105 °C conforming to JESD78A	II level A

### 6.3.15 I/O current injection characteristics

As a general rule, current injection to the I/O pins, due to external voltage below V<sub>SS</sub> or above V<sub>DD</sub> (for standard, 3 V-capable I/O pins) must be avoided during normal product operation. However, in order to give an indication of the robustness of the microcontroller in cases when abnormal injection accidentally happens, susceptibility tests are performed on a sample basis during device characterization.

#### Functional susceptibility to I/O current injection

While a simple application is executed on the device, the device is stressed by injecting current into the I/O pins programmed in floating input mode. While current is injected into the I/O pin, one at a time, the device is checked for functional failures.

The failure is indicated by an out of range parameter: ADC error above a certain limit (>5 LSB TUE), out of spec current injection on adjacent pins or other functional failure (for example reset, oscillator frequency deviation).

The test results are given in [Table 45](#).

**Table 45. I/O current injection susceptibility<sup>(1)</sup>**

Symbol	Description	Functional susceptibility		Unit
		Negative injection	Positive injection	
I <sub>INJ</sub>	Injected current on BOOT0 pin	-0	NA	mA
	Injected current on NRST pin	-0	NA	
	Injected current on TTa pins: PA4 and PA5	-0	+5	
	Injected current on all FT pins	-5	NA	

1. NA stands for "not applicable".

*Note:* It is recommended to add a Schottky diode (pin to ground) to analog pins which may potentially inject negative currents.

### 6.3.16 I/O port characteristics

#### General input/output characteristics

Unless otherwise specified, the parameters given in [Table 50](#) are derived from tests performed under the conditions summarized in [Table 14: General operating conditions](#).

All I/Os are CMOS and TTL compliant.

**Table 46. I/O static characteristics**

Symbol	Parameter	Conditions	Min	Typ	Max	Unit	
V <sub>IL</sub>	FT, TTA and NRST I/O input low level voltage	1.7 V ≤ V <sub>DD</sub> ≤ 3.6 V	-	-	0.35V <sub>DD</sub> - 0.04 <sup>(1)</sup>	V	
					0.3V <sub>DD</sub> <sup>(2)</sup>		
	BOOT0 I/O input low level voltage	1.75 V ≤ V <sub>DD</sub> ≤ 3.6 V, -40 °C ≤ T <sub>A</sub> ≤ 105 °C	-	-	0.1V <sub>DD</sub> + 0.1 <sup>(1)</sup>		
		1.7 V ≤ V <sub>DD</sub> ≤ 3.6 V, 0 °C ≤ T <sub>A</sub> ≤ 105 °C	-	-			
V <sub>IH</sub>	FT, TTA and NRST I/O input high level voltage <sup>(5)</sup>	1.7 V ≤ V <sub>DD</sub> ≤ 3.6 V	-	-	0.45V <sub>DD</sub> + 0.3 <sup>(1)</sup>	V	
					0.7V <sub>DD</sub> <sup>(2)</sup>		
	BOOT0 I/O input high level voltage	1.75 V ≤ V <sub>DD</sub> ≤ 3.6 V, -40 °C ≤ T <sub>A</sub> ≤ 105 °C	-	-	0.17V <sub>DD</sub> + 0.7 <sup>(1)</sup>		
		1.7 V ≤ V <sub>DD</sub> ≤ 3.6 V, 0 °C ≤ T <sub>A</sub> ≤ 105 °C	-	-			
V <sub>HYS</sub>	FT, TTA and NRST I/O input hysteresis	1.7 V ≤ V <sub>DD</sub> ≤ 3.6 V	-	-	-	V	
	BOOT0 I/O input hysteresis	1.75 V ≤ V <sub>DD</sub> ≤ 3.6 V, -40 °C ≤ T <sub>A</sub> ≤ 105 °C	10%V <sub>DDIO</sub> <sup>(1)(3)</sup>	-	-		
		1.7 V ≤ V <sub>DD</sub> ≤ 3.6 V, 0 °C ≤ T <sub>A</sub> ≤ 105 °C	100 <sup>(1)</sup>	-	-		
I <sub>lkg</sub>	I/O input leakage current <sup>(4)</sup>	V <sub>SS</sub> ≤ V <sub>IN</sub> ≤ V <sub>DD</sub>	-	-	±1	μA	
	I/O FT input leakage current <sup>(5)</sup>	V <sub>IN</sub> = 5 V	-	-	3		
R <sub>PU</sub>	Weak pull-up equivalent resistor <sup>(6)</sup>	All pins except for PA10/PB12 (OTG_FS_ID, OTG_HS_ID)	V <sub>IN</sub> = V <sub>SS</sub>	30	40	50	kΩ
		PA10/PB12 (OTG_FS_ID, OTG_HS_ID)	-	7	10	14	
R <sub>PD</sub>	Weak pull-down equivalent resistor <sup>(7)</sup>	All pins except for PA10/PB12 (OTG_FS_ID, OTG_HS_ID)	V <sub>IN</sub> = V <sub>DD</sub>	30	40	50	
		PA10/PB12 (OTG_FS_ID, OTG_HS_ID)	-	7	10	14	

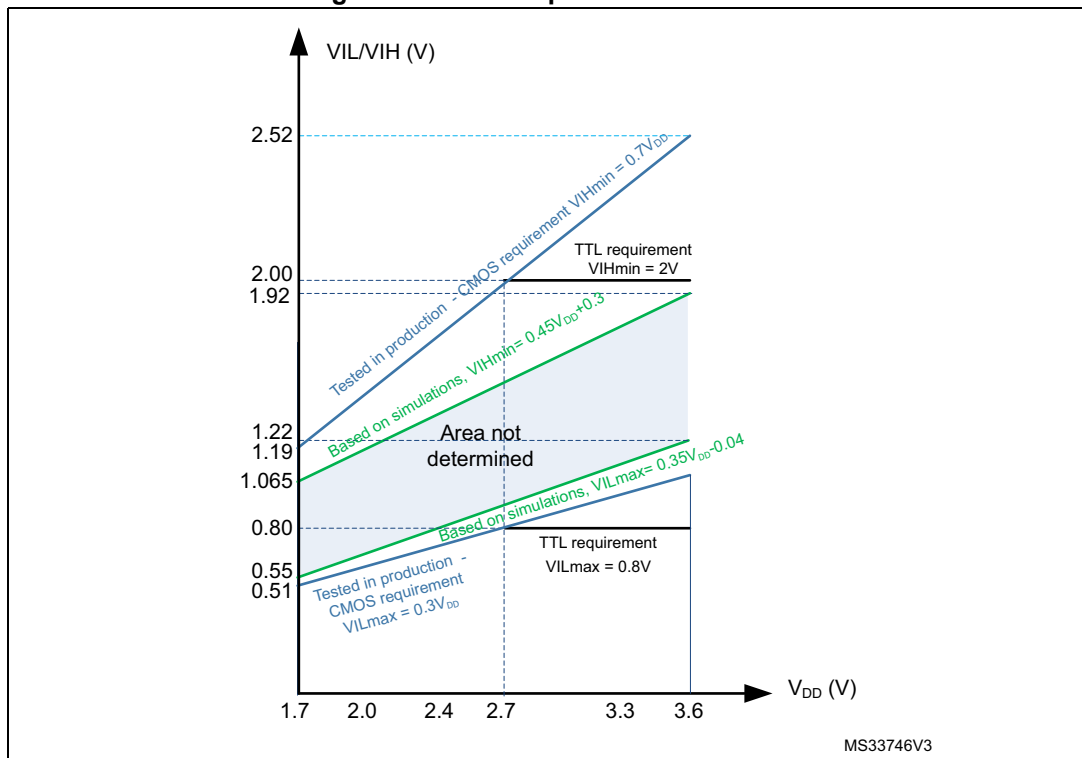
**Table 46. I/O static characteristics (continued)**

Symbol	Parameter	Conditions	Min	Typ	Max	Unit
$C_{IO}^{(8)}$	I/O pin capacitance	-	-	5	-	pF

1. Guaranteed by design, not tested in production.
2. Guaranteed by tests in production.
3. With a minimum of 200 mV.
4. Leakage could be higher than the maximum value, if negative current is injected on adjacent pins, Refer to [Table 45: I/O current injection susceptibility](#)
5. To sustain a voltage higher than  $V_{DD} + 0.3$  V, the internal pull-up/pull-down resistors must be disabled. Leakage could be higher than the maximum value, if negative current is injected on adjacent pins. Refer to [Table 45: I/O current injection susceptibility](#)
6. Pull-up resistors are designed with a true resistance in series with a switchable PMOS. This PMOS contribution to the series resistance is minimum (~10% order).
7. Pull-down resistors are designed with a true resistance in series with a switchable NMOS. This NMOS contribution to the series resistance is minimum (~10% order).
8. Hysteresis voltage between Schmitt trigger switching levels. Based on characterization, not tested in production.

All I/Os are CMOS and TTL compliant (no software configuration required). Their characteristics cover more than the strict CMOS-technology or TTL parameters. The coverage of these requirements for FT I/Os is shown in [Figure 38](#).

**Figure 38. FT I/O input characteristics**



**Output driving current**

The GPIOs (general purpose input/outputs) can sink or source up to  $\pm 8$  mA, and sink or source up to  $\pm 20$  mA (with a relaxed  $V_{OL}/V_{OH}$ ) except PC13, PC14 and PC15 that can sink

or source up to ±3mA. When using the PC13 to PC15 GPIOs in output mode, the speed must not exceed 2 MHz with a maximum load of 30 pF.

In the user application, the number of I/O pins that can drive current must be limited to respect the absolute maximum rating specified in [Section 6.2](#):

- The sum of the currents sourced by all the I/Os on V<sub>DD</sub>, plus the maximum Run consumption of the MCU sourced on V<sub>DD</sub>, cannot exceed the absolute maximum rating I<sub>VDD</sub> (see [Table 12](#)).
- The sum of the currents sunk by all the I/Os on V<sub>SS</sub> plus the maximum Run consumption of the MCU sunk on V<sub>SS</sub> cannot exceed the absolute maximum rating I<sub>VSS</sub> (see [Table 12](#)).

**Output voltage levels**

Unless otherwise specified, the parameters given in [Table 47](#) are derived from tests performed under ambient temperature and V<sub>DD</sub> supply voltage conditions summarized in [Table 14](#). All I/Os are CMOS and TTL compliant.

**Table 47. Output voltage characteristics<sup>(1)</sup>**

Symbol	Parameter	Conditions	Min	Max	Unit
V <sub>OL</sub> <sup>(2)</sup>	Output low level voltage for an I/O pin when 8 pins are sunk at same time	CMOS ports I <sub>IO</sub> = +8 mA 2.7 V < V <sub>DD</sub> < 3.6 V	-	0.4	V
V <sub>OH</sub> <sup>(3)</sup>	Output high level voltage for an I/O pin when 8 pins are sourced at same time		V <sub>DD</sub> -0.4	-	
V <sub>OL</sub> <sup>(2)</sup>	Output low level voltage for an I/O pin when 8 pins are sunk at same time	TTL ports I <sub>IO</sub> = +8 mA 2.7 V < V <sub>DD</sub> < 3.6 V	-	0.4	
V <sub>OH</sub> <sup>(3)</sup>	Output high level voltage for an I/O pin when 8 pins are sourced at same time		2.4	-	
V <sub>OL</sub> <sup>(2)(4)</sup>	Output low level voltage for an I/O pin when 8 pins are sunk at same time	I <sub>IO</sub> = +20 mA 2.7 V < V <sub>DD</sub> < 3.6 V	-	1.3	
V <sub>OH</sub> <sup>(3)(4)</sup>	Output high level voltage for an I/O pin when 8 pins are sourced at same time		V <sub>DD</sub> -1.3	-	
V <sub>OL</sub> <sup>(2)(4)</sup>	Output low level voltage for an I/O pin when 8 pins are sunk at same time	I <sub>IO</sub> = +6 mA 2 V < V <sub>DD</sub> < 2.7 V	-	0.4	
V <sub>OH</sub> <sup>(3)(4)</sup>	Output high level voltage for an I/O pin when 8 pins are sourced at same time		V <sub>DD</sub> -0.4	-	

1. PC13, PC14, PC15 and PI8 are supplied through the power switch. Since the switch only sinks a limited amount of current (3 mA), the use of GPIOs PC13 to PC15 and PI8 in output mode is limited: the speed must not exceed 2 MHz with a maximum load of 30 pF and these I/Os must not be used as a current source (e.g. to drive an LED).
2. The I<sub>IO</sub> current sunk by the device must always respect the absolute maximum rating specified in [Table 12](#) and the sum of I<sub>IO</sub> (I/O ports and control pins) must not exceed I<sub>VSS</sub>.
3. The I<sub>IO</sub> current sourced by the device must always respect the absolute maximum rating specified in [Table 12](#) and the sum of I<sub>IO</sub> (I/O ports and control pins) must not exceed I<sub>VDD</sub>.
4. Guaranteed by characterization results, not tested in production.

**Input/output AC characteristics**

The definition and values of input/output AC characteristics are given in [Figure 39](#) and [Table 48](#), respectively.





Unless otherwise specified, the parameters given in [Table 48](#) are derived from tests performed under the ambient temperature and  $V_{DD}$  supply voltage conditions summarized in [Table 14](#).

**Table 48. I/O AC characteristics<sup>(1)</sup>**

OSPEEDRy [1:0] bit value <sup>(1)</sup>	Symbol	Parameter	Conditions	Min	Typ	Max	Unit
00	$f_{\max(\text{IO})\text{out}}$	Maximum frequency <sup>(2)</sup>	$C_L = 50 \text{ pF}, V_{DD} > 2.7 \text{ V}$	-	-	4	MHz
			$C_L = 50 \text{ pF}, V_{DD} > 1.8 \text{ V}$	-	-	2	
			$C_L = 10 \text{ pF}, V_{DD} > 2.7 \text{ V}$	-	-	8	
			$C_L = 10 \text{ pF}, V_{DD} > 1.8 \text{ V}$	-	-	4	
	$t_{f(\text{IO})\text{out}}/$ $t_{r(\text{IO})\text{out}}$	Output high to low level fall time and output low to high level rise time	$C_L = 50 \text{ pF}, V_{DD} = 1.8 \text{ V to } 3.6 \text{ V}$	-	-	100	ns
01	$f_{\max(\text{IO})\text{out}}$	Maximum frequency <sup>(2)</sup>	$C_L = 50 \text{ pF}, V_{DD} > 2.7 \text{ V}$	-	-	25	MHz
			$C_L = 50 \text{ pF}, V_{DD} > 1.8 \text{ V}$	-	-	12.5	
			$C_L = 10 \text{ pF}, V_{DD} > 2.7 \text{ V}$	-	-	50 <sup>(3)</sup>	
			$C_L = 10 \text{ pF}, V_{DD} > 1.8 \text{ V}$	-	-	20	
	$t_{f(\text{IO})\text{out}}/$ $t_{r(\text{IO})\text{out}}$	Output high to low level fall time and output low to high level rise time	$C_L = 50 \text{ pF}, V_{DD} > 2.7 \text{ V}$	-	-	10	ns
			$C_L = 50 \text{ pF}, V_{DD} > 1.8 \text{ V}$	-	-	20	
			$C_L = 10 \text{ pF}, V_{DD} > 2.7 \text{ V}$	-	-	6	
			$C_L = 10 \text{ pF}, V_{DD} > 1.8 \text{ V}$	-	-	10	
10	$f_{\max(\text{IO})\text{out}}$	Maximum frequency <sup>(2)</sup>	$C_L = 40 \text{ pF}, V_{DD} > 2.7 \text{ V}$	-	-	25	MHz
			$C_L = 40 \text{ pF}, V_{DD} > 1.8 \text{ V}$	-	-	20	
			$C_L = 10 \text{ pF}, V_{DD} > 2.7 \text{ V}$	-	-	100 <sup>(3)</sup>	
			$C_L = 10 \text{ pF}, V_{DD} > 1.8 \text{ V}$	-	-	50 <sup>(3)</sup>	
	$t_{f(\text{IO})\text{out}}/$ $t_{r(\text{IO})\text{out}}$	Output high to low level fall time and output low to high level rise time	$C_L = 40 \text{ pF}, V_{DD} > 2.7 \text{ V}$	-	-	6	ns
			$C_L = 40 \text{ pF}, V_{DD} > 1.8 \text{ V}$	-	-	10	
			$C_L = 10 \text{ pF}, V_{DD} > 2.7 \text{ V}$	-	-	4	
			$C_L = 10 \text{ pF}, V_{DD} > 1.8 \text{ V}$	-	-3	6	

Table 48. I/O AC characteristics<sup>(1)</sup> (continued)

OSPEEDRy [1:0] bit value <sup>(1)</sup>	Symbol	Parameter	Conditions	Min	Typ	Max	Unit
11	f <sub>max(IO)out</sub>	Maximum frequency <sup>(2)</sup>	C <sub>L</sub> = 30 pF, V <sub>DD</sub> > 2.7 V	-	-	100 <sup>(3)</sup>	MHz
			C <sub>L</sub> = 30 pF, V <sub>DD</sub> > 1.8 V	-	-	50 <sup>(3)</sup>	
			C <sub>L</sub> = 10 pF, V <sub>DD</sub> > 2.7 V	-	-	120 <sup>(3)</sup>	
			C <sub>L</sub> = 10 pF, V <sub>DD</sub> > 1.8 V	-	-	100 <sup>(3)</sup>	
	t <sub>f(IO)out</sub> / t <sub>r(IO)out</sub>	Output high to low level fall time and output low to high level rise time	C <sub>L</sub> = 30 pF, V <sub>DD</sub> > 2.7 V	-	-	4	ns
			C <sub>L</sub> = 30 pF, V <sub>DD</sub> > 1.8 V	-	-	6	
			C <sub>L</sub> = 10 pF, V <sub>DD</sub> > 2.7 V	-	-	2.5	
			C <sub>L</sub> = 10 pF, V <sub>DD</sub> > 1.8 V	-	-	4	
-	t <sub>EXTIpw</sub>	Pulse width of external signals detected by the EXTI controller	-	10	-	-	ns

1. The I/O speed is configured using the OSPEEDRy[1:0] bits. Refer to the STM32F20/21xxx reference manual for a description of the GPIOX\_SPEEDR GPIO port output speed register.
2. The maximum frequency is defined in [Figure 39](#).
3. For maximum frequencies above 50 MHz and V<sub>DD</sub> above 2.4 V, the compensation cell must be used.

Figure 39. I/O AC characteristics definition



### 6.3.17 NRST pin characteristics

The NRST pin input driver uses CMOS technology. It is connected to a permanent pull-up resistor,  $R_{PU}$  (see [Table 49](#)).

Unless otherwise specified, the parameters given in [Table 49](#) are derived from tests performed under the ambient temperature and  $V_{DD}$  supply voltage conditions summarized in [Table 14](#).

**Table 49. NRST pin characteristics**

Symbol	Parameter	Conditions	Min	Typ	Max	Unit
$R_{PU}$	Weak pull-up equivalent resistor <sup>(1)</sup>	$V_{IN} = V_{SS}$	30	40	50	k $\Omega$
$V_{F(NRST)}$ <sup>(2)</sup>	NRST input filtered pulse	-	-	-	100	ns
$V_{NF(NRST)}$ <sup>(2)</sup>	NRST input not filtered pulse	$V_{DD} > 2.7\text{ V}$	300	-	-	
$T_{NRST\_OUT}$	Generated reset pulse duration	Internal reset source	20	-	-	$\mu\text{s}$

1. The pull-up is designed with a true resistance in series with a switchable PMOS. This PMOS contribution to the series resistance must be minimum (~10% order).
2. Guaranteed by design, not tested in production.

**Figure 40. Recommended NRST pin protection**



1. The reset network protects the device against parasitic resets.
2. The user must ensure that the level on the NRST pin can go below the  $V_{IL(NRST)}$  max level specified in [Table 49](#). Otherwise the reset is not taken into account by the device.

### 6.3.18 TIM timer characteristics

The parameters given in [Table 50](#) and [Table 51](#) are guaranteed by design.

Refer to [Section 6.3.16: I/O port characteristics](#) for details on the input/output alternate function characteristics (output compare, input capture, external clock, PWM output).

**Table 50. Characteristics of TIMx connected to the APB1 domain<sup>(1)</sup>**

Symbol	Parameter	Conditions	Min	Max	Unit
$t_{res(TIM)}$	Timer resolution time	AHB/APB1 prescaler distinct from 1, $f_{TIMxCLK} = 60$ MHz	1	-	$t_{TIMxCLK}$
			16.7	-	ns
		AHB/APB1 prescaler = 1, $f_{TIMxCLK} = 30$ MHz	1	-	$t_{TIMxCLK}$
			33.3	-	ns
$f_{EXT}$	Timer external clock frequency on CH1 to CH4	$f_{TIMxCLK} = 60$ MHz APB1 = 30 MHz	0	$f_{TIMxCLK}/2$	MHz
			0	30	MHz
$Res_{TIM}$	Timer resolution		-	16/32	bit
			1	65536	$t_{TIMxCLK}$
$t_{COUNTER}$	16-bit counter clock period when internal clock is selected		0.0167	1092	$\mu$ s
			1	-	$t_{TIMxCLK}$
	32-bit counter clock period when internal clock is selected		0.0167	71582788	$\mu$ s
			-	$65536 \times 65536$	$t_{TIMxCLK}$
$t_{MAX\_COUNT}$	Maximum possible count	-	71.6	s	
		-			

1. TIMx is used as a general term to refer to the TIM2, TIM3, TIM4, TIM5, TIM6, TIM7, and TIM12 timers.

**Table 51. Characteristics of TIMx connected to the APB2 domain<sup>(1)</sup>**

Symbol	Parameter	Conditions	Min	Max	Unit
$t_{res(TIM)}$	Timer resolution time	AHB/APB2 prescaler distinct from 1, $f_{TIMxCLK} = 120$ MHz	1	-	$t_{TIMxCLK}$
			8.3	-	ns
		AHB/APB2 prescaler = 1, $f_{TIMxCLK} = 60$ MHz	1	-	$t_{TIMxCLK}$
			16.7	-	ns

Table 51. Characteristics of TIMx connected to the APB2 domain<sup>(1)</sup> (continued)

Symbol	Parameter	Conditions	Min	Max	Unit
$f_{EXT}$	Timer external clock frequency on CH1 to CH4	$f_{TIMxCLK} = 120\text{ MHz}$ $APB2 = 60\text{ MHz}$	0	$f_{TIMxCLK}/2$	MHz
			0	60	
$Res_{TIM}$	Timer resolution		-	16	bit
$t_{COUNTER}$	16-bit counter clock period when internal clock is selected		1	65536	$t_{TIMxCLK}$
			0.0083	546	$\mu\text{s}$
$t_{MAX\_COUNT}$	Maximum possible count		-	$65536 \times 65536$	$t_{TIMxCLK}$
		-	35.79	s	

1. TIMx is used as a general term to refer to the TIM1, TIM8, TIM9, TIM10, and TIM11 timers.

### 6.3.19 Communications interfaces

#### I<sup>2</sup>C interface characteristics

STM32F205xx and STM32F207xx I<sup>2</sup>C interface meets the requirements of the standard I<sup>2</sup>C communication protocol with the following restrictions: the I/O pins SDA and SCL are mapped to are not “true” open-drain. When configured as open-drain, the PMOS connected between the I/O pin and  $V_{DD}$  is disabled, but is still present.

The I<sup>2</sup>C characteristics are described in [Table 52](#). Refer also to [Section 6.3.16: I/O port characteristics](#) for more details on the input/output alternate function characteristics (SDA and SCL).

Table 52. I<sup>2</sup>C characteristics

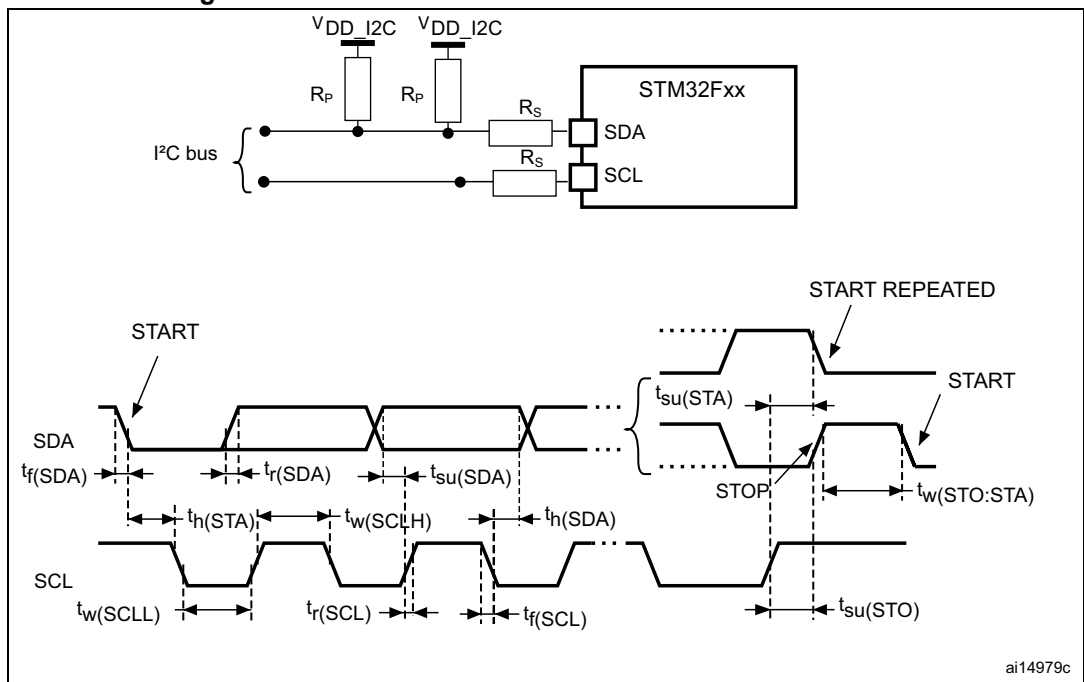
Symbol	Parameter	Standard mode I <sup>2</sup> C <sup>(1)(2)</sup>		Fast mode I <sup>2</sup> C <sup>(1)(2)</sup>		Unit
		Min	Max	Min	Max	
$t_{w(SCLL)}$	SCL clock low time	4.7	-	1.3	-	$\mu\text{s}$
$t_{w(SCLH)}$	SCL clock high time	4.0	-	0.6	-	
$t_{su(SDA)}$	SDA setup time	250	-	100	-	ns
$t_{h(SDA)}$	SDA data hold time	-	3450 <sup>(3)</sup>	-	900 <sup>(3)</sup>	
$t_{r(SDA)}$ $t_{r(SCL)}$	SDA and SCL rise time	-	1000	-	300	
$t_{f(SDA)}$ $t_{f(SCL)}$	SDA and SCL fall time	-	300	-	300	$\mu\text{s}$
$t_{h(STA)}$	Start condition hold time	4.0	-	0.6	-	
$t_{su(STA)}$	Repeated Start condition setup time	4.7	-	0.6	-	
$t_{su(STO)}$	Stop condition setup time	4.0	-	0.6	-	
$t_{w(STO:STA)}$	Stop to Start condition time (bus free)	4.7	-	1.3	-	

Table 52. I<sup>2</sup>C characteristics (continued)

Symbol	Parameter	Standard mode I <sup>2</sup> C <sup>(1)(2)</sup>		Fast mode I <sup>2</sup> C <sup>(1)(2)</sup>		Unit
		Min	Max	Min	Max	
C <sub>b</sub>	Capacitive load for each bus line	-	400	-	400	pF
t <sub>SP</sub>	Pulse width of the spikes suppressed by the analog filter	0	50 <sup>(4)</sup>	0	50	ns

1. Guaranteed by design, not tested in production.
2. f<sub>PCLK1</sub> must be at least 2 MHz to achieve standard mode I<sup>2</sup>C frequencies. It must be at least 4 MHz to achieve fast mode I<sup>2</sup>C frequencies, and a multiple of 10 MHz to reach the 400 kHz maximum I<sup>2</sup>C fast mode clock.
3. The maximum Data hold time has only to be met if the interface does not stretch the low period of the SCL signal.
4. The minimum width of the spikes filtered by the analog filter is above t<sub>SP(max)</sub>.

Figure 41. I<sup>2</sup>C bus AC waveforms and measurement circuit



1. R<sub>S</sub> = series protection resistor.
2. R<sub>P</sub> = external pull-up resistor.
3. V<sub>DD\_I2C</sub> is the I<sup>2</sup>C bus power supply.

Table 53. SCL frequency ( $f_{PCLK1} = 30 \text{ MHz}$ ,  $V_{DD} = 3.3 \text{ V}$ )<sup>(1)(2)</sup>

$f_{SCL}$ (kHz)	I2C_CCR value
	$R_p = 4.7 \text{ k}\Omega$
400	0x8019
300	0x8021
200	0x8032
100	0x0096
50	0x012C
20	0x02EE

1.  $R_p$  = External pull-up resistance,  $f_{SCL}$  = I<sup>2</sup>C speed,
2. For speeds around 200 kHz, the tolerance on the achieved speed is of  $\pm 5\%$ . For other speed ranges, the tolerance on the achieved speed  $\pm 2\%$ . These variations depend on the accuracy of the external components used to design the application.

## I<sup>2</sup>S - SPI interface characteristics

Unless otherwise specified, the parameters given in [Table 54](#) for SPI or in [Table 55](#) for I<sup>2</sup>S are derived from tests performed under the ambient temperature,  $f_{PCLKx}$  frequency and  $V_{DD}$  supply voltage conditions summarized in [Table 14](#).

Refer to [Section 6.3.16: I/O port characteristics](#) for more details on the input/output alternate function characteristics (NSS, SCK, MOSI, MISO for SPI and WS, CK, SD for I<sup>2</sup>S).

Table 54. SPI characteristics

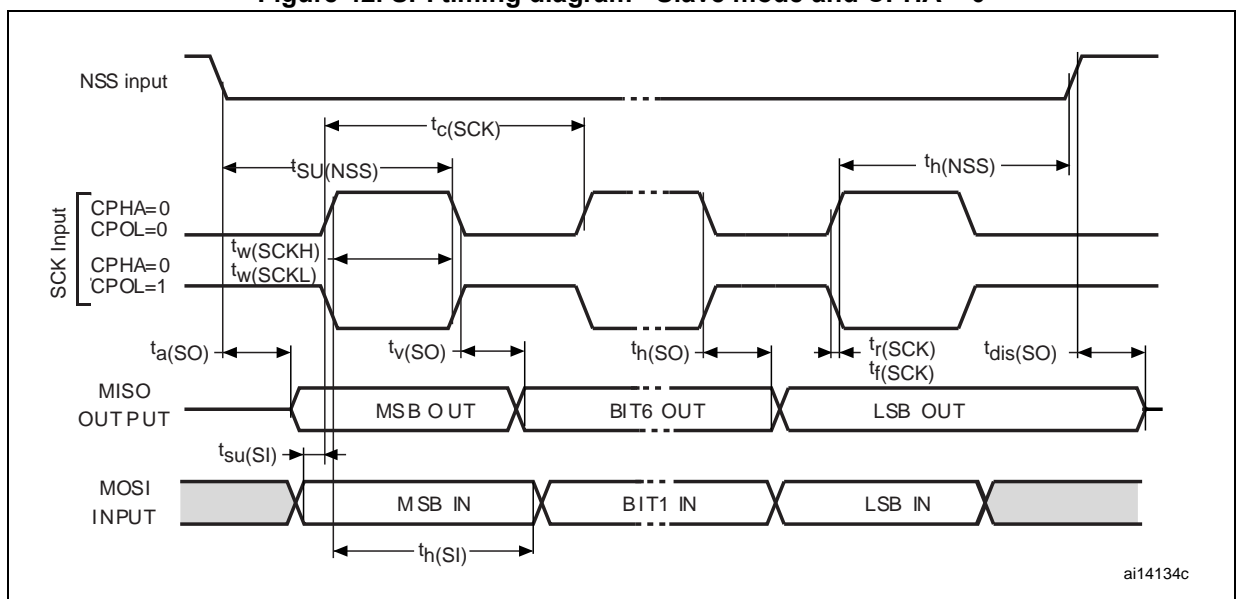
Symbol	Parameter	Conditions	Min	Max	Unit
$f_{SCK}$ $1/t_{c(SCK)}$	SPI clock frequency	SPI1 master/slave mode	-	30	MHz
		SPI2/SPI3 master/slave mode	-	15	
$t_{r(SCL)}$ $t_{f(SCL)}$	SPI clock rise and fall time	Capacitive load: $C = 30 \text{ pF}$ , $f_{PCLK} = 30 \text{ MHz}$	-	8	ns
DuCy(SCK)	SPI slave input clock duty cycle	Slave mode	30	70	%
$t_{su(NSS)}^{(1)}$	NSS setup time	Slave mode	$4t_{PCLK}$	-	ns
$t_{h(NSS)}^{(1)}$	NSS hold time	Slave mode	$2t_{PCLK}$	-	
$t_{w(SCLH)}^{(1)}$ $t_{w(SCLL)}^{(1)}$	SCK high and low time	Master mode, $f_{PCLK} = 30 \text{ MHz}$ , presc = 2	$t_{PCLK}-3$	$t_{PCLK}+3$	
$t_{su(MI)}^{(1)}$ $t_{su(SI)}^{(1)}$	Data input setup time	Master mode	5	-	
		Slave mode	5	-	
$t_{h(MI)}^{(1)}$ $t_{h(SI)}^{(1)}$	Data input hold time	Master mode	5	-	
		Slave mode	4	-	
$t_{a(SO)}^{(1)(2)}$	Data output access time	Slave mode, $f_{PCLK} = 30 \text{ MHz}$	0	$3t_{PCLK}$	
$t_{dis(SO)}^{(1)(3)}$	Data output disable time	Slave mode	2	10	

Table 54. SPI characteristics (continued)

Symbol	Parameter	Conditions	Min	Max	Unit
$t_{v(SO)}^{(1)}$	Data output valid time	Slave mode (after enable edge)	-	25	ns
$t_{v(MO)}^{(1)}$		Master mode (after enable edge)	-	5	
$t_{h(SO)}^{(1)}$	Data output hold time	Slave mode (after enable edge)	15	-	
$t_{h(MO)}^{(1)}$		Master mode (after enable edge)	2	-	

1. Guaranteed by characterization results, not tested in production.
2. Min time is for the minimum time to drive the output and the max time is for the maximum time to validate the data.
3. Min time is for the minimum time to invalidate the output and the max time is for the maximum time to put the data in Hi-Z

Figure 42. SPI timing diagram - Slave mode and CPHA = 0



ai14134c



Figure 43. SPI timing diagram - Slave mode and CPHA = 1



Figure 44. SPI timing diagram - Master mode

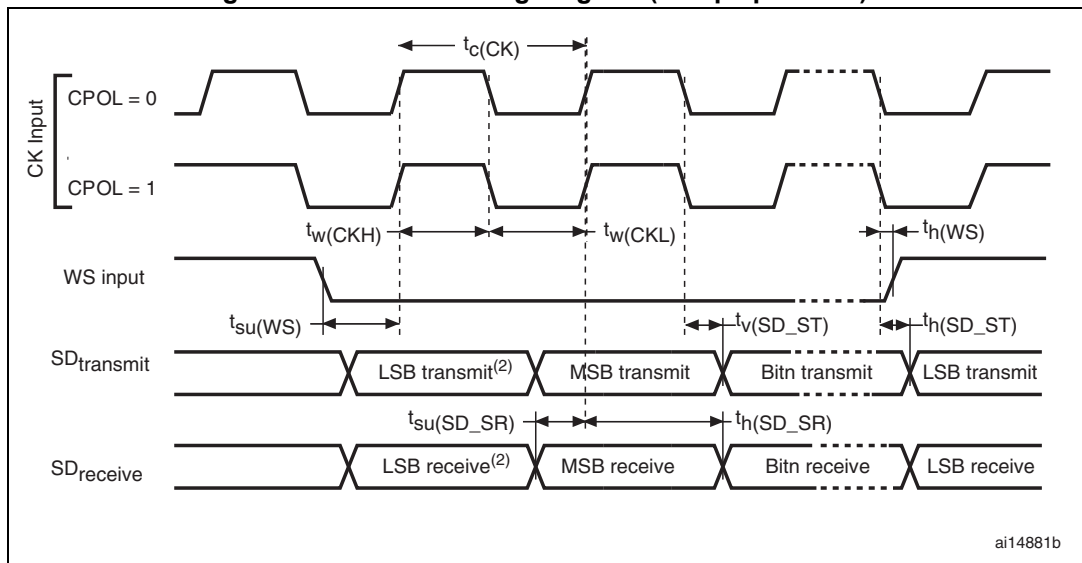


Table 55. I<sup>2</sup>S characteristics

Symbol	Parameter	Conditions	Min	Max	Unit
f <sub>CK</sub> 1/t <sub>c(CK)</sub>	I <sup>2</sup> S clock frequency	Master, 16-bit data, audio frequency = 48 kHz, main clock disabled	1.23	1.24	MHz
		Slave	0	64 F <sub>S</sub> <sup>(1)</sup>	
t <sub>r(CK)</sub> t <sub>f(CK)</sub>	I <sup>2</sup> S clock rise and fall time	Capacitive load C <sub>L</sub> = 50 pF	-	(2)	ns
t <sub>v(WS)</sub> <sup>(3)</sup>	WS valid time	Master	0.3	-	
t <sub>h(WS)</sub> <sup>(3)</sup>	WS hold time	Master	0	-	
t <sub>su(WS)</sub> <sup>(3)</sup>	WS setup time	Slave	3	-	
t <sub>h(WS)</sub> <sup>(3)</sup>	WS hold time	Slave	0	-	
t <sub>w(CKH)</sub> <sup>(3)</sup> t <sub>w(CKL)</sub> <sup>(3)</sup>	CK high and low time	Master f <sub>PCLK</sub> = 30 MHz	396	-	
t <sub>su(SD_MR)</sub> <sup>(3)</sup> t <sub>su(SD_SR)</sub> <sup>(3)</sup>	Data input setup time	Master receiver Slave receiver	45 0	-	
t <sub>h(SD_MR)</sub> <sup>(3)(4)</sup> t <sub>h(SD_SR)</sub> <sup>(3)(4)</sup>	Data input hold time	Master receiver: f <sub>PCLK</sub> = 30 MHz, Slave receiver: f <sub>PCLK</sub> = 30 MHz	13 0	-	
t <sub>v(SD_ST)</sub> <sup>(3)(4)</sup>	Data output valid time	Slave transmitter (after enable edge)	-	30	
t <sub>h(SD_ST)</sub> <sup>(3)</sup>	Data output hold time	Slave transmitter (after enable edge)	10	-	
t <sub>v(SD_MT)</sub> <sup>(3)(4)</sup>	Data output valid time	Master transmitter (after enable edge)	-	6	
t <sub>h(SD_MT)</sub> <sup>(3)</sup>	Data output hold time	Master transmitter (after enable edge)	0	-	

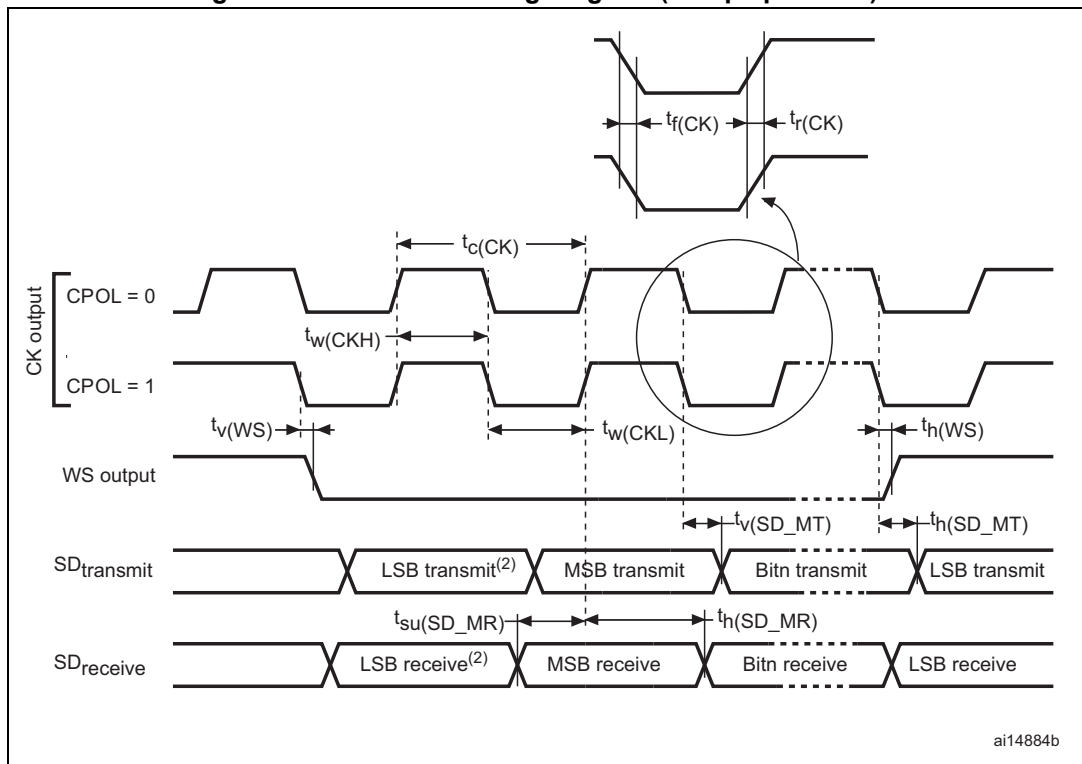
1. F<sub>S</sub> is the sampling frequency. Refer to the I2S section of the STM32F20xxx/21xxx reference manual for more details. f<sub>CK</sub> values reflect only the digital peripheral behavior which leads to a minimum of (I2SDIV/(2\*I2SDIV+ODD)), a maximum of (I2SDIV+ODD)/(2\*I2SDIV+ODD) and F<sub>S</sub> maximum values for each mode/condition.
2. Refer to [Table 48: I/O AC characteristics](#).
3. Guaranteed by design, not tested in production.
4. Depends on f<sub>PCLK</sub>. For example, if f<sub>PCLK</sub>=8 MHz, then T<sub>PCLK</sub> = 1/f<sub>PCLK</sub> =125 ns.

Figure 45. I<sup>2</sup>S slave timing diagram (Philips protocol)<sup>(1)</sup>



1. LSB transmit/receive of the previously transmitted byte. No LSB transmit/receive is sent before the first byte.

Figure 46. I<sup>2</sup>S master timing diagram (Philips protocol)<sup>(1)</sup>



1. Guaranteed by characterization results, not tested in production.
2. LSB transmit/receive of the previously transmitted byte. No LSB transmit/receive is sent before the first byte.

**USB OTG FS characteristics**

The USB OTG interface is USB-IF certified (Full-Speed). This interface is present in both the USB OTG HS and USB OTG FS controllers.

**Table 56. USB OTG FS startup time**

Symbol	Parameter	Max	Unit
$t_{STARTUP}^{(1)}$	USB OTG FS transceiver startup time	1	$\mu s$

1. Guaranteed by design, not tested in production.

**Table 57. USB OTG FS DC electrical characteristics**

Symbol	Parameter	Conditions	Min <sup>(1)</sup>	Typ	Max <sup>(1)</sup>	Unit	
<b>Input levels</b>	$V_{DD}$	USB OTG FS operating voltage	3.0 <sup>(2)</sup>	-	3.6	V	
	$V_{DI}^{(3)}$	Differential input sensitivity	I(USB_FS_DP/DM, USB_HS_DP/DM)	0.2	-	-	V
	$V_{CM}^{(3)}$	Differential common mode range	Includes $V_{DI}$ range	0.8	-	2.5	
	$V_{SE}^{(3)}$	Single ended receiver threshold		1.3	-	2.0	
<b>Output levels</b>	$V_{OL}$	Static output level low	$R_L$ of 1.5 k $\Omega$ to 3.6 V <sup>(4)</sup>	-	-	0.3	V
	$V_{OH}$	Static output level high	$R_L$ of 15 k $\Omega$ to $V_{SS}^{(4)}$	2.8	-	3.6	
$R_{PD}$	PA11, PA12, PB14, PB15 (USB_FS_DP/DM, USB_HS_DP/DM)	$V_{IN} = V_{DD}$	17	21	24	k $\Omega$	
	PA9, PB13 (OTG_FS_VBUS, OTG_HS_VBUS)		0.65	1.1	2.0		
$R_{PU}$	PA12, PB15 (USB_FS_DP, USB_HS_DP)	$V_{IN} = V_{SS}$	1.5	1.8	2.1		
	PA9, PB13 (OTG_FS_VBUS, OTG_HS_VBUS)	$V_{IN} = V_{SS}$	0.25	0.37	0.55		

1. All the voltages are measured from the local ground potential.
2. The STM32F205xx and STM32F207xx USB OTG FS functionality is ensured down to 2.7 V but not the full USB OTG FS electrical characteristics which are degraded in the 2.7-to-3.0 V  $V_{DD}$  voltage range.
3. Guaranteed by design, not tested in production.
4.  $R_L$  is the load connected on the USB OTG FS drivers

Figure 47. USB OTG FS timings: definition of data signal rise and fall time



Table 58. USB OTG FS electrical characteristics<sup>(1)</sup>

Driver characteristics					
Symbol	Parameter	Conditions	Min	Max	Unit
$t_r$	Rise time <sup>(2)</sup>	$C_L = 50 \text{ pF}$	4	20	ns
$t_f$	Fall time <sup>(2)</sup>	$C_L = 50 \text{ pF}$	4	20	ns
$t_{rfm}$	Rise/fall time matching	$t_r/t_f$	90	110	%
$V_{CRS}$	Output signal crossover voltage	-	1.3	2.0	V

1. Guaranteed by design, not tested in production.
2. Measured from 10% to 90% of the data signal. For more detailed informations, refer to USB Specification - Chapter 7 (version 2.0).

USB HS characteristics

Table 59 shows the USB HS operating voltage.

Table 59. USB HS DC electrical characteristics

Symbol	Parameter	Min <sup>(1)</sup>	Max <sup>(1)</sup>	Unit
Input level $V_{DD}$	USB OTG HS operating voltage	2.7	3.6	V

1. All the voltages are measured from the local ground potential.

Table 60. Clock timing parameters

Parameter <sup>(1)</sup>		Symbol	Min	Nominal	Max	Unit
Frequency (first transition)	8-bit $\pm 10\%$	$F_{START\_8BIT}$	54	60	66	MHz
Frequency (steady state)	$\pm 500 \text{ ppm}$	$F_{STEADY}$	59.97	60	60.03	
Duty cycle (first transition)	8-bit $\pm 10\%$	$D_{START\_8BIT}$	40	50	60	%
Duty cycle (steady state)	$\pm 500 \text{ ppm}$	$D_{STEADY}$	49.975	50	50.025	
Time to reach the steady state frequency and duty cycle after the first transition		$T_{STEADY}$	-	-	1.4	ms
Clock startup time after the de-assertion of SuspendM	Peripheral	$T_{START\_DEV}$	-	-	5.6	
	Host	$T_{START\_HOST}$	-	-	-	
PHY preparation time after the first transition of the input clock		$T_{PREP}$	-	-	-	$\mu\text{s}$

1. Guaranteed by design, not tested in production.

Figure 48. ULPI timing diagram



Table 61. ULPI timing

Symbol	Parameter	Value <sup>(1)</sup>		Unit
		Min	Max	
$t_{SC}$	Control in (ULPI_DIR) setup time	-	2.0	ns
	Control in (ULPI_NXT) setup time	-	1.5	
$t_{HC}$	Control in (ULPI_DIR, ULPI_NXT) hold time	0	-	
$t_{SD}$	Data in setup time	-	2.0	
$t_{HD}$	Data in hold time	0	-	
$t_{DC}$	Control out (ULPI_STP) setup time and hold time	-	9.2	
$t_{DD}$	Data out available from clock rising edge	-	10.7	

1.  $V_{DD} = 2.7\text{ V to }3.6\text{ V}$  and  $T_A = -40\text{ to }85\text{ }^\circ\text{C}$ .

**Ethernet characteristics**

Table 62 shows the Ethernet operating voltage.

Table 62. Ethernet DC electrical characteristics

Symbol		Parameter	Min <sup>(1)</sup>	Max <sup>(1)</sup>	Unit
Input level	$V_{DD}$	Ethernet operating voltage	2.7	3.6	V

1. All the voltages are measured from the local ground potential.

Table 63 gives the list of Ethernet MAC signals for the SMI (station management interface) and Figure 49 shows the corresponding timing diagram.

Figure 49. Ethernet SMI timing diagram



Table 63. Dynamics characteristics: Ethernet MAC signals for SMI

Symbol	Rating	Min	Typ	Max	Unit
$t_{MDC}$	MDC cycle time (2.38 MHz)	411	420	425	ns
$t_d(MDIO)$	MDIO write data valid time	6	10	13	
$t_{su}(MDIO)$	Read data setup time	12	-	-	
$t_h(MDIO)$	Read data hold time	0	-	-	

Table 64 gives the list of Ethernet MAC signals for the RMI and Figure 50 shows the corresponding timing diagram.

Figure 50. Ethernet RMI timing diagram



Table 64. Dynamics characteristics: Ethernet MAC signals for RMI

Symbol	Rating	Min	Typ	Max	Unit
$t_{su}(RXD)$	Receive data setup time	1	-	-	ns
$t_h(RXD)$	Receive data hold time	1.5	-	-	
$t_{su}(CRS)$	Carrier sense set-up time	0	-	-	
$t_h(CRS)$	Carrier sense hold time	2	-	-	
$t_d(TXEN)$	Transmit enable valid delay time	9	11	13	
$t_d(TXD)$	Transmit data valid delay time	9	11.5	14	

Table 65 gives the list of Ethernet MAC signals for MII and Figure 50 shows the corresponding timing diagram.

Figure 51. Ethernet MII timing diagram

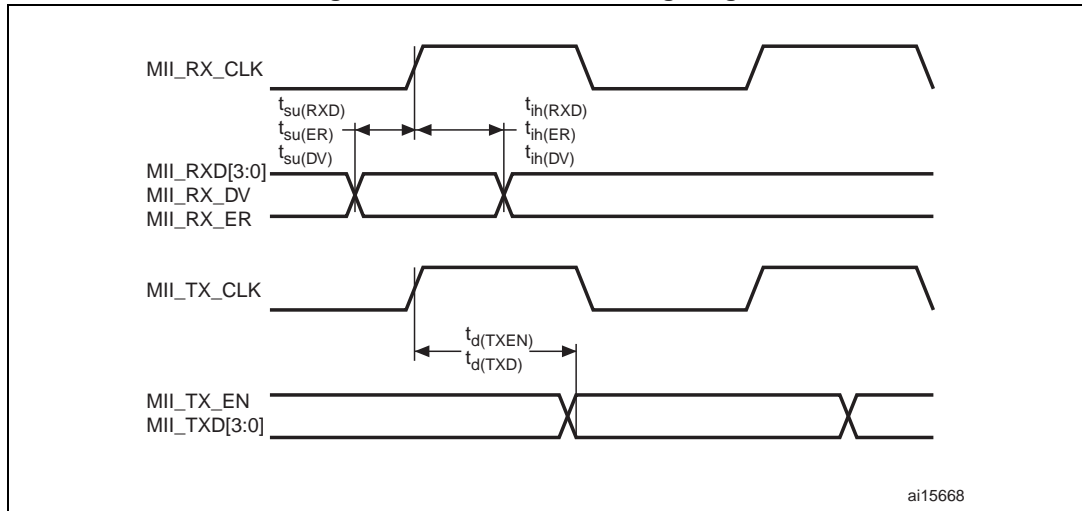


Table 65. Dynamics characteristics: Ethernet MAC signals for MII

Symbol	Rating	Min	Typ	Max	Unit
$t_{su}(RXD)$	Receive data setup time	7.5	-	-	ns
$t_{oh}(RXD)$	Receive data hold time	1	-	-	
$t_{su}(DV)$	Data valid setup time	4	-	-	
$t_{oh}(DV)$	Data valid hold time	0	-	-	
$t_{su}(ER)$	Error setup time	3.5	-	-	
$t_{oh}(ER)$	Error hold time	0	-	-	
$t_d(TXEN)$	Transmit enable valid delay time	-	11	14	
$t_d(TXD)$	Transmit data valid delay time	-	11	14	

**CAN (controller area network) interface**

Refer to Section 6.3.16: I/O port characteristics for more details on the input/output alternate function characteristics (CANTX and CANRX).



### 6.3.20 12-bit ADC characteristics

Unless otherwise specified, the parameters given in [Table 66](#) are derived from tests performed under the ambient temperature,  $f_{PCLK2}$  frequency and  $V_{DDA}$  supply voltage conditions summarized in [Table 14](#).

**Table 66. ADC characteristics**

Symbol	Parameter	Conditions	Min	Typ	Max	Unit
$V_{DDA}$	Power supply	-	1.8 <sup>(1)</sup>	-	3.6	V
$V_{REF+}$	Positive reference voltage	-	1.8 <sup>(1)(2)</sup>	-	$V_{DDA}$	
$f_{ADC}$	ADC clock frequency	$V_{DDA} = 1.8^{(1)}$ to 2.4 V	0.6	-	15	MHz
		$V_{DDA} = 2.4$ to 3.6 V	0.6	-	30	
$f_{TRIG}^{(3)}$	External trigger frequency	$f_{ADC} = 30$ MHz with 12-bit resolution	-	-	1764	kHz
		-	-	-	17	$1/f_{ADC}$
$V_{AIN}$	Conversion voltage range <sup>(4)</sup>	-	0 ( $V_{SSA}$ or $V_{REF-}$ tied to ground)	-	$V_{REF+}$	V
$R_{AIN}^{(3)}$	External input impedance	See <a href="#">Equation 1</a> for details	-	-	50	k $\Omega$
$R_{ADC}^{(3)(5)}$	Sampling switch resistance	-	1.5	-	6	
$C_{ADC}^{(3)}$	Internal sample and hold capacitor	-	-	4	-	pF
$t_{lat}^{(3)}$	Injection trigger conversion latency	$f_{ADC} = 30$ MHz	-	-	0.100	$\mu$ s
		-	-	-	3 <sup>(6)</sup>	$1/f_{ADC}$
$t_{latr}^{(3)}$	Regular trigger conversion latency	$f_{ADC} = 30$ MHz	-	-	0.067	$\mu$ s
		-	-	-	2 <sup>(6)</sup>	$1/f_{ADC}$
$t_S^{(3)}$	Sampling time	$f_{ADC} = 30$ MHz	0.100	-	16	$\mu$ s
		-	3	-	480	$1/f_{ADC}$
$t_{STAB}^{(3)}$	Power-up time	-	-	2	3	$\mu$ s
$t_{CONV}^{(3)}$	Total conversion time (including sampling time)	$f_{ADC} = 30$ MHz 12-bit resolution	0.5	-	16.40	$\mu$ s
		$f_{ADC} = 30$ MHz 10-bit resolution	0.43	-	16.34	
		$f_{ADC} = 30$ MHz 8-bit resolution	0.37	-	16.27	
		$f_{ADC} = 30$ MHz 6-bit resolution	0.3	-	16.20	
		9 to 492 ( $t_S$ for sampling +n-bit resolution for successive approximation)	-	-	-	$1/f_{ADC}$

Table 66. ADC characteristics (continued)

Symbol	Parameter	Conditions	Min	Typ	Max	Unit
$f_S^{(3)}$	Sampling rate ( $f_{ADC} = 30$ MHz)	12-bit resolution Single ADC	-	-	2	MSPS
		12-bit resolution Interleaved Dual ADC mode	-	-	3.75	
		12-bit resolution Interleaved Triple ADC mode	-	-	6	
$I_{VREF+}^{(3)}$	ADC $V_{REF+}$ DC current consumption in conversion mode	-	-	300	500	$\mu$ A
$I_{VDDA}^{(3)}$	ADC $V_{DDA}$ DC current consumption in conversion mode	-	-	1.6	1.8	mA

- On devices in WLCSP64+2 package, if IRROFF is set to  $V_{DD}$ , the supply voltage can drop to 1.7 V when the device operates in the 0 to 70 °C temperature range using an external power supply supervisor (see [Section 3.16](#)).
- It is recommended to maintain the voltage difference between  $V_{REF+}$  and  $V_{DDA}$  below 1.8 V.
- Guaranteed by characterization results, not tested in production.
- $V_{REF+}$  is internally connected to  $V_{DDA}$  and  $V_{REF-}$  is internally connected to  $V_{SSA}$ .
- $R_{ADC}$  maximum value is given for  $V_{DD}=1.8$  V, and minimum value for  $V_{DD}=3.3$  V.
- For external triggers, a delay of  $1/f_{PCLK2}$  must be added to the latency specified in [Table 66](#).

**Equation 1:  $R_{AIN}$  max formula**

$$R_{AIN} = \frac{(k - 0.5)}{f_{ADC} \times C_{ADC} \times \ln(2^{N+2})} - R_{ADC}$$

The formula above ([Equation 1](#)) is used to determine the maximum external impedance allowed for an error below 1/4 of LSB. N = 12 (from 12-bit resolution) and k is the number of sampling periods defined in the ADC\_SMPR1 register.

Table 67. ADC accuracy <sup>(1)</sup>

Symbol	Parameter	Test conditions	Typ	Max <sup>(2)</sup>	Unit
ET	Total unadjusted error	$f_{PCLK2} = 60$ MHz, $f_{ADC} = 30$ MHz, $R_{AIN} < 10$ k $\Omega$ , $V_{DDA} = 1.8^{(3)}$ to 3.6 V	$\pm 2$	$\pm 5$	LSB
EO	Offset error		$\pm 1.5$	$\pm 2.5$	
EG	Gain error		$\pm 1.5$	$\pm 3$	
ED	Differential linearity error		$\pm 1$	$\pm 2$	
EL	Integral linearity error		$\pm 1.5$	$\pm 3$	

- Better performance could be achieved in restricted  $V_{DD}$ , frequency and temperature ranges.
- Guaranteed by characterization results, not tested in production.
- On devices in WLCSP64+2 package, if IRROFF is set to  $V_{DD}$ , the supply voltage can drop to 1.7 V when the device operates in the 0 to 70 °C temperature range using an external power supply supervisor (see [Section 3.16](#)).

Note: ADC accuracy vs. negative injection current: injecting a negative current on any analog input pins must be avoided as this significantly reduces the accuracy of the conversion

being performed on another analog input. It is recommended to add a Schottky diode (pin to ground) to analog pins which may potentially inject negative currents.

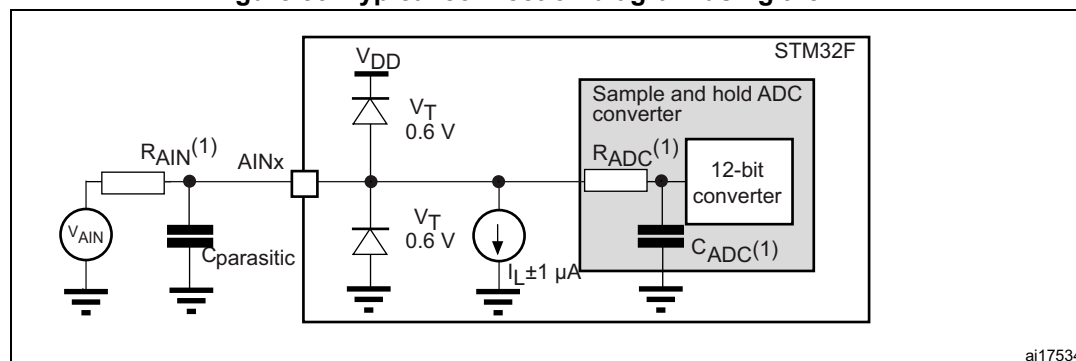
Any positive injection current within the limits specified for  $I_{INJ(PIN)}$  and  $\Sigma I_{INJ(PIN)}$  in [Section 6.3.16](#) does not affect the ADC accuracy.

**Figure 52. ADC accuracy characteristics**



1. Example of an actual transfer curve.
2. Ideal transfer curve.
3. End point correlation line.
4.  $E_T$  = Total Unadjusted Error: maximum deviation between the actual and the ideal transfer curves.  
 $E_O$  = Offset Error: deviation between the first actual transition and the first ideal one.  
 $E_G$  = Gain Error: deviation between the last ideal transition and the last actual one.  
 $E_D$  = Differential Linearity Error: maximum deviation between actual steps and the ideal one.  
 $E_L$  = Integral Linearity Error: maximum deviation between any actual transition and the end point correlation line.

**Figure 53. Typical connection diagram using the ADC**



1. Refer to [Table 66](#) for the values of  $R_{AIN}$ ,  $R_{ADC}$  and  $C_{ADC}$ .
2.  $C_{parasitic}$  represents the capacitance of the PCB (dependent on soldering and PCB layout quality) plus the pad capacitance (roughly 7 pF). A high  $C_{parasitic}$  value downgrades conversion accuracy. To remedy this,  $f_{ADC}$  must be reduced.

**General PCB design guidelines**

Power supply decoupling must be performed as shown in *Figure 54* or *Figure 55*, depending on whether  $V_{REF+}$  is connected to  $V_{DDA}$  or not. The 10 nF capacitors must be ceramic (good quality), placed as close as possible to the chip.

**Figure 54. Power supply and reference decoupling ( $V_{REF+}$  not connected to  $V_{DDA}$ )**



1.  $V_{REF+}$  and  $V_{REF-}$  inputs are both available on UFBGA176 package.  $V_{REF+}$  is also available on all packages except for LQFP64. When  $V_{REF+}$  and  $V_{REF-}$  are not available, they are internally connected to  $V_{DDA}$  and  $V_{SSA}$ .

Figure 55. Power supply and reference decoupling ( $V_{REF+}$  connected to  $V_{DDA}$ )



1.  $V_{REF+}$  and  $V_{REF-}$  inputs are both available on UFBGA176 package.  $V_{REF+}$  is also available on all packages except for LQFP64. When  $V_{REF+}$  and  $V_{REF-}$  are not available, they are internally connected to  $V_{DDA}$  and  $V_{SSA}$ .

### 6.3.21 DAC electrical characteristics

Table 68. DAC characteristics

Symbol	Parameter	Min	Typ	Max	Unit	Comments
$V_{DDA}$	Analog supply voltage	1.8 <sup>(1)</sup>	-	3.6	V	-
$V_{REF+}$	Reference supply voltage	1.8 <sup>(1)</sup>	-	3.6		$V_{REF+} \leq V_{DDA}$
$V_{SSA}$	Ground	0	-	0		-
$R_{LOAD}^{(2)}$	Resistive load with buffer ON	5	-	-	kΩ	-
$R_O^{(2)}$	Impedance output with buffer OFF	-	-	15		When the buffer is OFF, the Minimum resistive load between DAC_OUT and $V_{SS}$ to have a 1% accuracy is 1.5 MΩ
$C_{LOAD}^{(2)}$	Capacitive load	-	-	50	pF	Maximum capacitive load at DAC_OUT pin (when the buffer is ON).
$DAC\_OUT_{min}^{(2)}$	Lower DAC_OUT voltage with buffer ON	0.2	-	-	V	Gives the maximum output excursion of the DAC. Corresponds to 12-bit input code (0x0E0) to (0xF1C) at $V_{REF+} = 3.6$ V and (0x1C7) to (0xE38) at $V_{REF+} = 1.8$ V
$DAC\_OUT_{max}^{(2)}$	Higher DAC_OUT voltage with buffer ON	-	-	$V_{DDA} - 0.2$		
$DAC\_OUT_{min}^{(2)}$	Lower DAC_OUT voltage with buffer OFF	-	0.5	-	mV	Gives the maximum output excursion of the DAC.
$DAC\_OUT_{max}^{(2)}$	Higher DAC_OUT voltage with buffer OFF	-	-	$V_{REF+} - 1LSB$	V	

Table 68. DAC characteristics (continued)

Symbol	Parameter	Min	Typ	Max	Unit	Comments
$I_{VREF+}^{(4)}$	DAC DC $V_{REF+}$ current consumption in quiescent mode (Standby mode)	-	170	240	$\mu A$	With no load, worst code (0x800) at $V_{REF+} = 3.6 V$ in terms of DC consumption on the inputs
		-	50	75		With no load, worst code (0xF1C) at $V_{REF+} = 3.6 V$ in terms of DC consumption on the inputs
$I_{DDA}^{(4)}$	DAC DC $V_{DDA}$ current consumption in quiescent mode <sup>(3)</sup>	-	280	380	$\mu A$	With no load, middle code (0x800) on the inputs
		-	475	625		With no load, worst code (0xF1C) at $V_{REF+} = 3.6 V$ in terms of DC consumption on the inputs
$DNL^{(4)}$	Differential non linearity Difference between two consecutive code-1LSB)	-	-	$\pm 0.5$	LSB	Given for the DAC in 10-bit configuration.
		-	-	$\pm 2$		Given for the DAC in 12-bit configuration.
$INL^{(4)}$	Integral non linearity (difference between measured value at Code i and the value at Code i on a line drawn between Code 0 and last Code 1023)	-	-	$\pm 1$	LSB	Given for the DAC in 10-bit configuration.
		-	-	$\pm 4$		Given for the DAC in 12-bit configuration.
Offset <sup>(4)</sup>	Offset error (difference between measured value at Code (0x800) and the ideal value = $V_{REF+}/2$ )	-	-	$\pm 10$	mV	-
		-	-	$\pm 3$	LSB	Given for the DAC in 10-bit at $V_{REF+} = 3.6 V$
		-	-	$\pm 12$		Given for the DAC in 12-bit at $V_{REF+} = 3.6 V$
Gain error <sup>(4)</sup>	Gain error	-	-	$\pm 0.5$	%	Given for the DAC in 12-bit configuration
$t_{SETTLING}^{(4)}$	Settling time (full scale: for a 10-bit input code transition between the lowest and the highest input codes when DAC_OUT reaches final value $\pm 4LSB$ )	-	3	6	$\mu s$	$C_{LOAD} \leq 50 pF$ , $R_{LOAD} \geq 5 k\Omega$
THD <sup>(4)</sup>	Total Harmonic Distortion Buffer ON	-	-	-	dB	$C_{LOAD} \leq 50 pF$ , $R_{LOAD} \geq 5 k\Omega$
Update rate <sup>(2)</sup>	Max frequency for a correct DAC_OUT change when small variation in the input code (from code i to i+1LSB)	-	-	1	MS/s	$C_{LOAD} \leq 50 pF$ , $R_{LOAD} \geq 5 k\Omega$

**Table 68. DAC characteristics (continued)**

Symbol	Parameter	Min	Typ	Max	Unit	Comments
$t_{WAKEUP}^{(4)}$	Wakeup time from off state (Setting the ENx bit in the DAC Control register)	-	6.5	10	$\mu s$	$C_{LOAD} \leq 50 \text{ pF}$ , $R_{LOAD} \geq 5 \text{ k}\Omega$ input code between lowest and highest possible ones.
PSRR+ <sup>(2)</sup>	Power supply rejection ratio (to $V_{DDA}$ ) (static DC measurement)	-	-67	-40	dB	No $R_{LOAD}$ , $C_{LOAD} = 50 \text{ pF}$

1. On devices in WLCSP64+2 package, if IRROFF is set to  $V_{DD}$ , the supply voltage can drop to 1.7 V when the device operates in the 0 to 70 °C temperature range using an external power supply supervisor (see [Section 3.16](#)).
2. Guaranteed by design, not tested in production.
3. The quiescent mode corresponds to a state where the DAC maintains a stable output level to ensure that no dynamic consumption occurs.
4. Guaranteed by characterization results, not tested in production.

**Figure 56. 12-bit buffered/non-buffered DAC**



1. The DAC integrates an output buffer that can be used to reduce the output impedance and to drive external loads directly, without the use of an external operational amplifier. The buffer can be bypassed by configuring the BOFFx bit in the DAC\_CR register.

### 6.3.22 Temperature sensor characteristics

**Table 69. Temperature sensor characteristics**

Symbol	Parameter	Min	Typ	Max	Unit
$T_L^{(1)}$	$V_{SENSE}$ linearity with temperature	-	$\pm 1$	$\pm 2$	$^{\circ}C$
Avg_Slope <sup>(1)</sup>	Average slope	-	2.5	-	mV/ $^{\circ}C$
$V_{25}^{(1)}$	Voltage at 25 °C	-	0.76	-	V
$t_{START}^{(2)}$	Startup time	-	6	10	$\mu s$
$T_{S\_temp}^{(2)}$	ADC sampling time when reading the temperature (1 °C accuracy)	10	-	-	$\mu s$

1. Guaranteed by characterization results, not tested in production.
2. Guaranteed by design, not tested in production.

### 6.3.23 $V_{BAT}$ monitoring characteristics

**Table 70.  $V_{BAT}$  monitoring characteristics**

Symbol	Parameter	Min	Typ	Max	Unit
R	Resistor bridge for $V_{BAT}$	-	50	-	K $\Omega$
Q	Ratio on $V_{BAT}$ measurement	-	2	-	
$Er^{(1)}$	Error on Q	-1	-	+1	%
$T_{S\_vbat}^{(2)(2)}$	ADC sampling time when reading the $V_{BAT}$ (1 mV accuracy)	5	-	-	$\mu$ s

1. Guaranteed by design, not tested in production.
2. Shortest sampling time can be determined in the application by multiple iterations.

### 6.3.24 Embedded reference voltage

The parameters given in [Table 71](#) are derived from tests performed under ambient temperature and  $V_{DD}$  supply voltage conditions summarized in [Table 14](#).

**Table 71. Embedded internal reference voltage**

Symbol	Parameter	Conditions	Min	Typ	Max	Unit
$V_{REFINT}$	Internal reference voltage	$-40\text{ }^{\circ}\text{C} < T_A < +105\text{ }^{\circ}\text{C}$	1.18	1.21	1.24	V
$T_{S\_vrefint}^{(1)}$	ADC sampling time when reading the internal reference voltage	-	10	-	-	$\mu$ s
$V_{RERINT\_s}^{(2)}$	Internal reference voltage spread over the temperature range	$V_{DD} = 3\text{ V}$	-	3	5	mV
$T_{Coeff}^{(2)}$	Temperature coefficient	-	-	30	50	ppm/ $^{\circ}\text{C}$
$t_{START}^{(2)}$	Startup time	-	-	6	10	$\mu$ s

1. Shortest sampling time can be determined in the application by multiple iterations.
2. Guaranteed by design, not tested in production.

### 6.3.25 FSMC characteristics

#### Asynchronous waveforms and timings

[Figure 57](#) through [Figure 60](#) represent asynchronous waveforms, while [Table 72](#) through [Table 75](#) provide the corresponding timings. The results shown in these tables are obtained with the following FSMC configuration:

- AddressSetupTime = 1
- AddressHoldTime = 1
- DataSetupTime = 1
- BusTurnAroundDuration = 0x0

In all timing tables, the  $T_{HCLK}$  is the HCLK clock period.



Figure 57. Asynchronous non-multiplexed SRAM/PSRAM/NOR read waveforms



1. Mode 2/B, C and D only. In Mode 1, FSMC\_NADV is not used.

Table 72. Asynchronous non-multiplexed SRAM/PSRAM/NOR read timings<sup>(1)(2)</sup>

Symbol	Parameter	Min	Max	Unit
$t_{w(NE)}$	FSMC_NE low time	$2 T_{HCLK} - 0.5$	$2 T_{HCLK} + 0.5$	ns
$t_{v(NOE\_NE)}$	FSMC_NEx low to FSMC_NOE low	0.5	2.5	
$t_{w(NOE)}$	FSMC_NOE low time	$2 T_{HCLK} - 1$	$2 T_{HCLK} + 0.5$	
$t_{h(NE\_NOE)}$	FSMC_NOE high to FSMC_NE high hold time	0	-	
$t_{v(A\_NE)}$	FSMC_NEx low to FSMC_A valid	-	4	
$t_{h(A\_NOE)}$	Address hold time after FSMC_NOE high	0	-	
$t_{v(BL\_NE)}$	FSMC_NEx low to FSMC_BL valid	-	0.5	
$t_{h(BL\_NOE)}$	FSMC_BL hold time after FSMC_NOE high	0	-	
$t_{su(Data\_NE)}$	Data to FSMC_NEx high setup time	$T_{HCLK} + 0.5$	-	
$t_{su(Data\_NOE)}$	Data to FSMC_NOEx high setup time	$T_{HCLK} + 0.5$	-	
$t_{h(Data\_NOE)}$	Data hold time after FSMC_NOE high	0	-	
$t_{h(Data\_NE)}$	Data hold time after FSMC_NEx high	0	-	
$t_{v(NADV\_NE)}$	FSMC_NEx low to FSMC_NADV low	-	2.5	
$t_{w(NADV)}$	FSMC_NADV low time	-	$T_{HCLK} - 0.5$	

1.  $C_L = 30$  pF.
2. Guaranteed by characterization results, not tested in production.

Figure 58. Asynchronous non-multiplexed SRAM/PSRAM/NOR write waveforms



1. Mode 2/B, C and D only. In Mode 1, FSMC\_NADV is not used.

Table 73. Asynchronous non-multiplexed SRAM/PSRAM/NOR write timings<sup>(1)(2)</sup>

Symbol	Parameter	Min	Max	Unit
$t_{w(NE)}$	FSMC_NEx low time	$3 T_{HCLK}$	$3 T_{HCLK} + 4$	ns
$t_{v(NWE\_NE)}$	FSMC_NEx low to FSMC_NWE low	$T_{HCLK} - 0.5$	$T_{HCLK} + 0.5$	
$t_{w(NWE)}$	FSMC_NWE low time	$T_{HCLK} - 0.5$	$T_{HCLK} + 3$	
$t_{h(NE\_NWE)}$	FSMC_NWE high to FSMC_NEx high hold time	$T_{HCLK}$	-	
$t_{v(A\_NE)}$	FSMC_NEx low to FSMC_A valid	-	0	
$t_{h(A\_NWE)}$	Address hold time after FSMC_NWE high	$T_{HCLK} - 3$	-	
$t_{v(BL\_NE)}$	FSMC_NEx low to FSMC_BL valid	-	0.5	
$t_{h(BL\_NWE)}$	FSMC_BL hold time after FSMC_NWE high	$T_{HCLK} - 1$	-	
$t_{v(Data\_NE)}$	Data to FSMC_NEx low to Data valid	-	$T_{HCLK} + 5$	
$t_{h(Data\_NWE)}$	Data hold time after FSMC_NWE high	$T_{HCLK} + 0.5$	-	
$t_{v(NADV\_NE)}$	FSMC_NEx low to FSMC_NADV low	-	2	
$t_{w(NADV)}$	FSMC_NADV low time	-	$T_{HCLK} + 1.5$	

1.  $C_L = 30$  pF.

2. Guaranteed by characterization results, not tested in production.

Figure 59. Asynchronous multiplexed PSRAM/NOR read waveforms

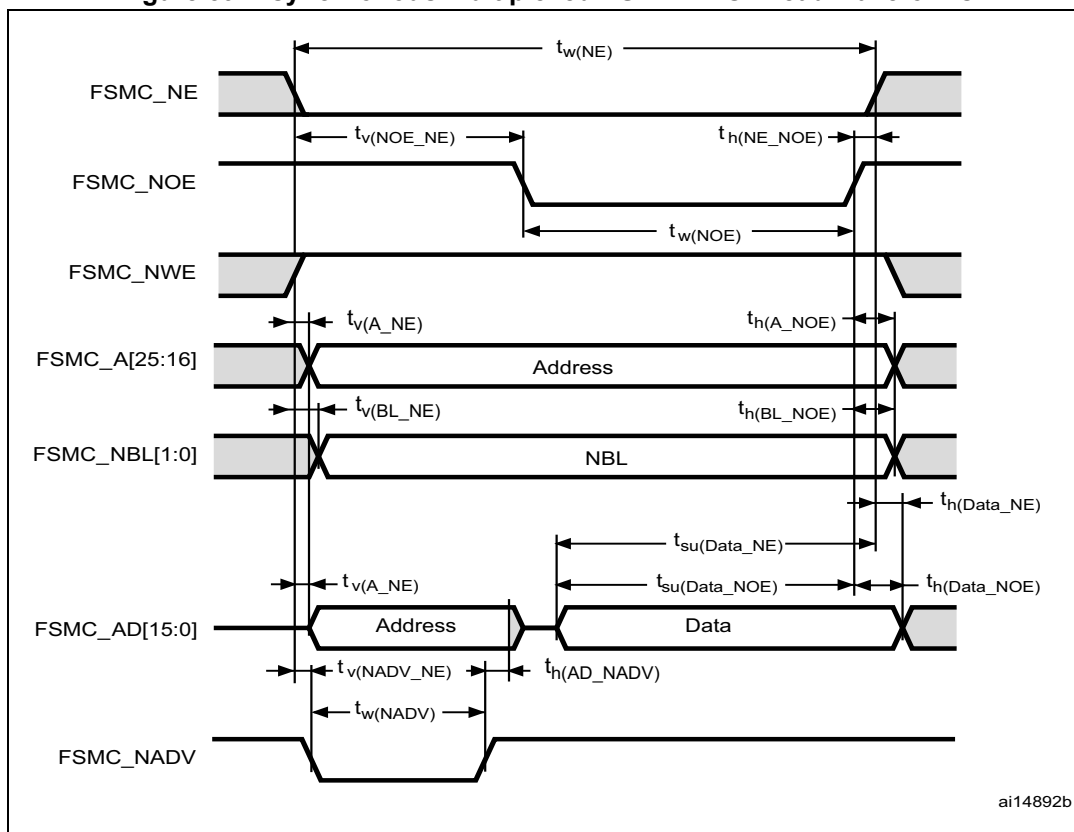


Table 74. Asynchronous multiplexed PSRAM/NOR read timings<sup>(1)(2)</sup>

Symbol	Parameter	Min	Max	Unit
$t_{w(NE)}$	FSMC_NE low time	$3 T_{HCLK} - 1$	$3 T_{HCLK} + 1$	ns
$t_{v(NOE\_NE)}$	FSMC_NEx low to FSMC_NOE low	$2 T_{HCLK}$	$2 T_{HCLK} + 0.5$	
$t_{w(NOE)}$	FSMC_NOE low time	$T_{HCLK} - 1$	$T_{HCLK} + 1$	
$t_{h(NE\_NOE)}$	FSMC_NOE high to FSMC_NE high hold time	0	-	
$t_{v(A\_NE)}$	FSMC_NEx low to FSMC_A valid	-	2	
$t_{v(NADV\_NE)}$	FSMC_NEx low to FSMC_NADV low	1	2.5	
$t_{w(NADV)}$	FSMC_NADV low time	$T_{HCLK} - 1.5$	$T_{HCLK}$	
$t_{h(AD\_NADV)}$	FSMC_AD(address) valid hold time after FSMC_NADV high	$T_{HCLK}$	-	
$t_{h(A\_NOE)}$	Address hold time after FSMC_NOE high	$T_{HCLK}$	-	
$t_{h(BL\_NOE)}$	FSMC_BL time after FSMC_NOE high	0	-	
$t_{v(BL\_NE)}$	FSMC_NEx low to FSMC_BL valid	-	1	
$t_{su(Data\_NE)}$	Data to FSMC_NEx high setup time	$T_{HCLK} + 2$	-	
$t_{su(Data\_NOE)}$	Data to FSMC_NOE high setup time	$T_{HCLK} + 3$	-	

**Table 74. Asynchronous multiplexed PSRAM/NOR read timings<sup>(1)(2)</sup> (continued)**

Symbol	Parameter	Min	Max	Unit
$t_{h(Data\_NE)}$	Data hold time after FSMC_NEx high	0	-	ns
$t_{h(Data\_NOE)}$	Data hold time after FSMC_NOE high	0	-	

1.  $C_L = 30$  pF.
2. Guaranteed by characterization results, not tested in production.

**Figure 60. Asynchronous multiplexed PSRAM/NOR write waveforms**



ai14891B

**Table 75. Asynchronous multiplexed PSRAM/NOR write timings<sup>(1)(2)</sup>**

Symbol	Parameter	Min	Max	Unit
$t_{w(NE)}$	FSMC_NE low time	$4 T_{HCLK} - 1$	$4 T_{HCLK} + 1$	ns
$t_{v(NWE\_NE)}$	FSMC_NEx low to FSMC_NWE low	$T_{HCLK} - 1$	$T_{HCLK}$	
$t_{w(NWE)}$	FSMC_NWE low time	$2 T_{HCLK}$	$2 T_{HCLK} + 1$	
$t_{h(NE\_NWE)}$	FSMC_NWE high to FSMC_NE high hold time	$T_{HCLK} - 1$	-	
$t_{v(A\_NE)}$	FSMC_NEx low to FSMC_A valid	-	0	
$t_{v(NADV\_NE)}$	FSMC_NEx low to FSMC_NADV low	1	2	
$t_{w(NADV)}$	FSMC_NADV low time	$T_{HCLK} - 2$	$T_{HCLK} + 2$	
$t_{h(AD\_NADV)}$	FSMC_AD(address) valid hold time after FSMC_NADV high	$T_{HCLK}$	-	

**Table 75. Asynchronous multiplexed PSRAM/NOR write timings<sup>(1)(2)</sup> (continued)**

Symbol	Parameter	Min	Max	Unit
$t_{h(A\_NWE)}$	Address hold time after FSMC_NWE high	$T_{HCLK} - 0.5$	-	ns
$t_{h(BL\_NWE)}$	FSMC_BL hold time after FSMC_NWE high	$T_{HCLK} - 1$	-	
$t_{v(BL\_NE)}$	FSMC_NEx low to FSMC_BL valid	-	0.5	
$t_{v(Data\_NADV)}$	FSMC_NADV high to Data valid	-	$T_{HCLK} + 2$	
$t_{h(Data\_NWE)}$	Data hold time after FSMC_NWE high	$T_{HCLK} - 0.5$	-	

1.  $C_L = 30$  pF.

2. Guaranteed by characterization results, not tested in production.

### Synchronous waveforms and timings

[Figure 61](#) through [Figure 64](#) represent synchronous waveforms, and [Table 77](#) through [Table 79](#) provide the corresponding timings. The results shown in these tables are obtained with the following FSMC configuration:

- BurstAccessMode = FSMC\_BurstAccessMode\_Enable;
- MemoryType = FSMC\_MemoryType\_CRAM;
- WriteBurst = FSMC\_WriteBurst\_Enable;
- CLKDivision = 1; (0 is not supported, see the STM32F20xxx/21xxx reference manual)
- DataLatency = 1 for NOR Flash; DataLatency = 0 for PSRAM

In all timing tables, the  $T_{HCLK}$  is the HCLK clock period.

Figure 61. Synchronous multiplexed NOR/PSRAM read timings



Table 76. Synchronous multiplexed NOR/PSRAM read timings<sup>(1)(2)</sup>

Symbol	Parameter	Min	Max	Unit
$t_w(\text{CLK})$	FSMC_CLK period	$2 T_{\text{HCLK}}$	-	
$t_d(\text{CLKL-NExL})$	FSMC_CLK low to FSMC_NEx low ( $x=0..2$ )	-	0	
$t_d(\text{CLKL-NExH})$	FSMC_CLK low to FSMC_NEx high ( $x=0..2$ )	1	-	
$t_d(\text{CLKL-NADVl})$	FSMC_CLK low to FSMC_NADV low	-	1.5	
$t_d(\text{CLKL-NADVH})$	FSMC_CLK low to FSMC_NADV high	2.5	-	
$t_d(\text{CLKL-AV})$	FSMC_CLK low to FSMC_Ax valid ( $x=16..25$ )	-	0	
$t_d(\text{CLKL-AIV})$	FSMC_CLK low to FSMC_Ax invalid ( $x=16..25$ )	0	-	ns
$t_d(\text{CLKH-NOEL})$	FSMC_CLK high to FSMC_NOE low	-	1	
$t_d(\text{CLKL-NOEH})$	FSMC_CLK low to FSMC_NOE high	1	-	
$t_d(\text{CLKL-ADV})$	FSMC_CLK low to FSMC_AD[15:0] valid	-	3	
$t_d(\text{CLKL-ADIV})$	FSMC_CLK low to FSMC_AD[15:0] invalid	0	-	
$t_{su}(\text{ADV-CLKH})$	FSMC_AD[15:0] valid data before FSMC_CLK high	5	-	
$t_h(\text{CLKH-ADV})$	FSMC_AD[15:0] valid data after FSMC_CLK high	0	-	

1.  $C_L = 30 \text{ pF}$ .
2. Guaranteed by characterization results, not tested in production.

**Figure 62. Synchronous multiplexed PSRAM write timings**



**Table 77. Synchronous multiplexed PSRAM write timings<sup>(1)(2)</sup>**

Symbol	Parameter	Min	Max	Unit
$t_w(\text{CLK})$	FSMC_CLK period	$2 T_{\text{HCLK}} - 1$	-	ns
$t_d(\text{CLKL-NEXL})$	FSMC_CLK low to FSMC_NEx low (x=0..2)	-	0	
$t_d(\text{CLKL-NEXH})$	FSMC_CLK low to FSMC_NEx high (x= 0...2)	2	-	
$t_d(\text{CLKL-NADV})$	FSMC_CLK low to FSMC_NADV low	-	2	
$t_d(\text{CLKL-NADVH})$	FSMC_CLK low to FSMC_NADV high	3	-	
$t_d(\text{CLKL-AV})$	FSMC_CLK low to FSMC_Ax valid (x=16...25)	-	0	
$t_d(\text{CLKL-AIV})$	FSMC_CLK low to FSMC_Ax invalid (x=16...25)	7	-	
$t_d(\text{CLKL-NWEL})$	FSMC_CLK low to FSMC_NWE low	-	1	
$t_d(\text{CLKL-NWEH})$	FSMC_CLK low to FSMC_NWE high	0	-	
$t_d(\text{CLKL-ADIV})$	FSMC_CLK low to FSMC_AD[15:0] invalid	0	-	

**Table 77. Synchronous multiplexed PSRAM write timings<sup>(1)(2)</sup> (continued)**

Symbol	Parameter	Min	Max	Unit
$t_{d(CLKL-DATA)}$	FSMC_A/D[15:0] valid data after FSMC_CLK low	-	2	ns
$t_{d(CLKL-NBLH)}$	FSMC_CLK low to FSMC_NBL high	0.5	-	

1.  $C_L = 30$  pF.
2. Guaranteed by characterization results, not tested in production.

**Figure 63. Synchronous non-multiplexed NOR/PSRAM read timings**



**Table 78. Synchronous non-multiplexed NOR/PSRAM read timings<sup>(1)(2)</sup>**

Symbol	Parameter	Min	Max	Unit
$t_w(CLK)$	FSMC_CLK period	$2 T_{HCLK}$	-	ns
$t_{d(CLKL-NExL)}$	FSMC_CLK low to FSMC_NEx low ( $x=0..2$ )	-	0	
$t_{d(CLKL-NExH)}$	FSMC_CLK low to FSMC_NEx high ( $x=0..2$ )	1	-	
$t_{d(CLKL-NADVL)}$	FSMC_CLK low to FSMC_NADV low	-	2.5	
$t_{d(CLKL-NADVH)}$	FSMC_CLK low to FSMC_NADV high	4	-	
$t_{d(CLKL-AV)}$	FSMC_CLK low to FSMC_Ax valid ( $x=16..25$ )	-	0	
$t_{d(CLKL-AIV)}$	FSMC_CLK low to FSMC_Ax invalid ( $x=16..25$ )	3	-	

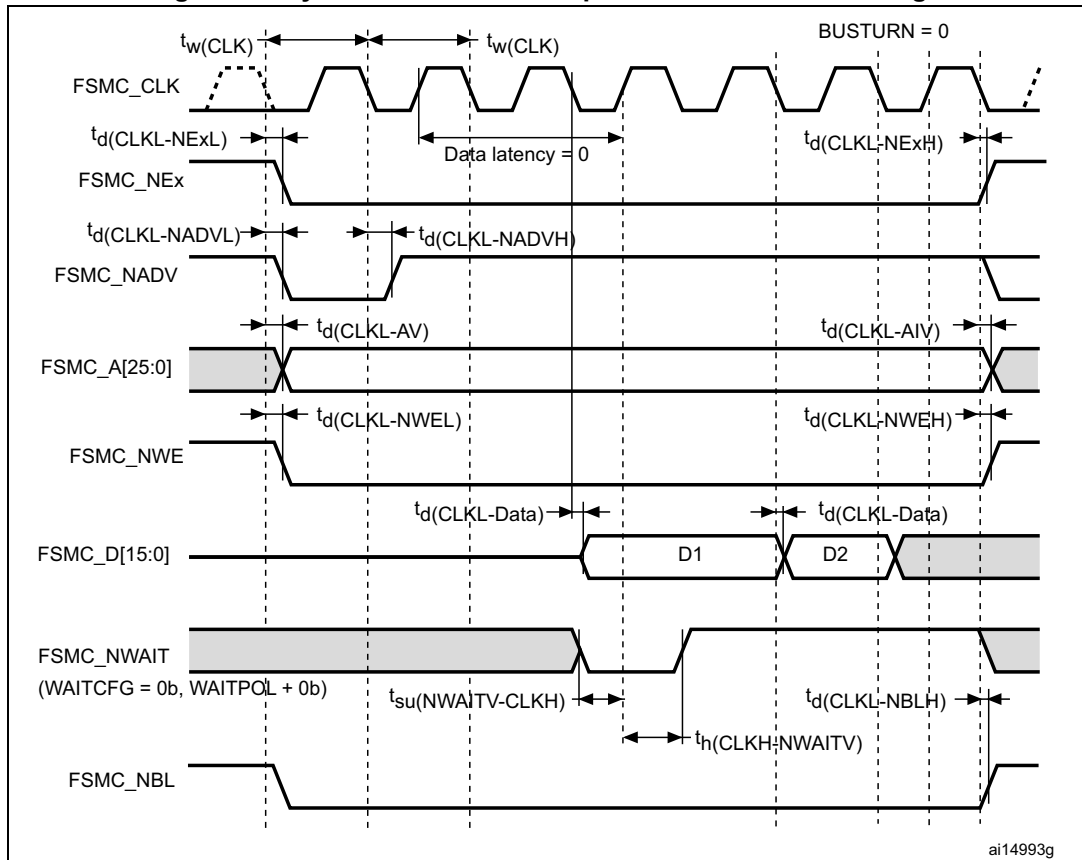


**Table 78. Synchronous non-multiplexed NOR/PSRAM read timings<sup>(1)(2)</sup> (continued)**

Symbol	Parameter	Min	Max	Unit
$t_{d(CLKH-NOEL)}$	FSMC_CLK high to FSMC_NOE low	-	1	ns
$t_{d(CLKL-NOEH)}$	FSMC_CLK low to FSMC_NOE high	1.5	-	
$t_{su(DV-CLKH)}$	FSMC_D[15:0] valid data before FSMC_CLK high	8	-	
$t_{h(CLKH-DV)}$	FSMC_D[15:0] valid data after FSMC_CLK high	0	-	

1.  $C_L = 30$  pF.
2. Guaranteed by characterization results, not tested in production.

**Figure 64. Synchronous non-multiplexed PSRAM write timings**



**Table 79. Synchronous non-multiplexed PSRAM write timings<sup>(1)(2)</sup>**

Symbol	Parameter	Min	Max	Unit
$t_w(CLK)$	FSMC_CLK period	$2 T_{HCLK} - 1$	-	ns
$t_{d(CLKL-NExL)}$	FSMC_CLK low to FSMC_NEx low ( $x=0..2$ )	-	1	
$t_{d(CLKL-NExH)}$	FSMC_CLK low to FSMC_NEx high ( $x=0..2$ )	1	-	
$t_{d(CLKL-NADV)}$	FSMC_CLK low to FSMC_NADV low	-	5	

**Table 79. Synchronous non-multiplexed PSRAM write timings<sup>(1)(2)</sup> (continued)**

Symbol	Parameter	Min	Max	Unit
$t_{d(CLKL-NADVH)}$	FSMC_CLK low to FSMC_NADV high	6	-	ns
$t_{d(CLKL-AV)}$	FSMC_CLK low to FSMC_Ax valid (x=16...25)	-	0	
$t_{d(CLKL-AIV)}$	FSMC_CLK low to FSMC_Ax invalid (x=16...25)	8	-	
$t_{d(CLKL-NWEL)}$	FSMC_CLK low to FSMC_NWE low	-	1	
$t_{d(CLKL-NWEH)}$	FSMC_CLK low to FSMC_NWE high	1	-	
$t_{d(CLKL-Data)}$	FSMC_D[15:0] valid data after FSMC_CLK low	-	2	
$t_{d(CLKL-NBLH)}$	FSMC_CLK low to FSMC_NBL high	2	-	

1.  $C_L = 30$  pF.
2. Guaranteed by characterization results, not tested in production.

**PC Card/CompactFlash controller waveforms and timings**

Figure 65 through Figure 70 represent synchronous waveforms, with Table 80 and Table 81 providing the corresponding timings. The results shown in these table are obtained with the following FSMC configuration:

- COM.FSMC\_SetupTime = 0x04;
- COM.FSMC\_WaitSetupTime = 0x07;
- COM.FSMC\_HoldSetupTime = 0x04;
- COM.FSMC\_HiZSetupTime = 0x00;
- ATT.FSMC\_SetupTime = 0x04;
- ATT.FSMC\_WaitSetupTime = 0x07;
- ATT.FSMC\_HoldSetupTime = 0x04;
- ATT.FSMC\_HiZSetupTime = 0x00;
- IO.FSMC\_SetupTime = 0x04;
- IO.FSMC\_WaitSetupTime = 0x07;
- IO.FSMC\_HoldSetupTime = 0x04;
- IO.FSMC\_HiZSetupTime = 0x00;
- TCLRSetupTime = 0;
- TARSetupTime = 0;

In all timing tables, the  $T_{HCLK}$  is the HCLK clock period.

**Figure 65. PC Card/CompactFlash controller waveforms for common memory read access**



1. FSMC\_NCE4\_2 remains high (inactive during 8-bit access).

**Figure 66. PC Card/CompactFlash controller waveforms for common memory write access**



Figure 67. PC Card/CompactFlash controller waveforms for attribute memory read access



1. Only data bits 0...7 are read (bits 8...15 are disregarded).

**Figure 68. PC Card/CompactFlash controller waveforms for attribute memory write access**



1. Only data bits 0...7 are driven (bits 8...15 remains Hi-Z).

**Figure 69. PC Card/CompactFlash controller waveforms for I/O space read access**

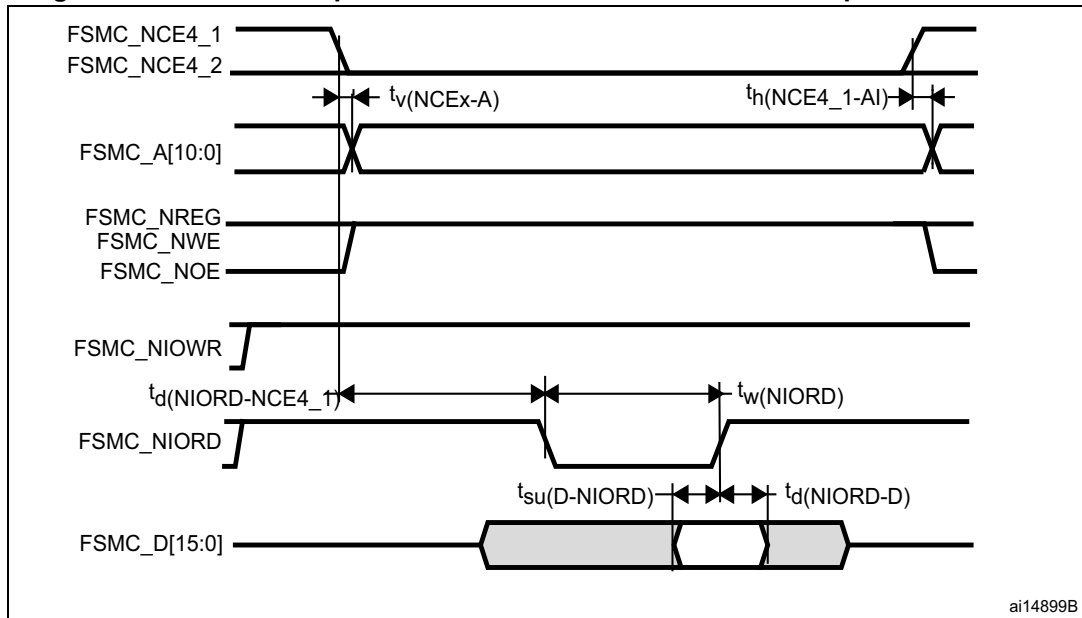


Figure 70. PC Card/CompactFlash controller waveforms for I/O space write access



Table 80. Switching characteristics for PC Card/CF read and write cycles in attribute/common space<sup>(1)(2)</sup>

Symbol	Parameter	Min	Max	Unit
$t_v(NCEx-A)$	FSMC_Ncex low to FSMC_Ay valid	-	0	ns
$t_h(NCEx\_AI)$	FSMC_NCEx high to FSMC_Ax invalid	4	-	
$t_d(NREG-NCEx)$	FSMC_NCEx low to FSMC_NREG valid	-	3.5	
$t_h(NCEx-NREG)$	FSMC_NCEx high to FSMC_NREG invalid	$T_{HCLK} + 4$	-	
$t_d(NCEx-NWE)$	FSMC_NCEx low to FSMC_NWE low	-	$5T_{HCLK} + 1$	
$t_d(NCEx-NOE)$	FSMC_NCEx low to FSMC_NOE low	-	$5T_{HCLK}$	
$t_w(NOE)$	FSMC_NOE low width	$8T_{HCLK} - 0.5$	$8T_{HCLK} + 1$	
$t_d(NOE\_NCEx)$	FSMC_NOE high to FSMC_NCEx high	$5T_{HCLK} + 2.5$	-	
$t_{su}(D-NOE)$	FSMC_D[15:0] valid data before FSMC_NOE high	4	-	
$t_h(NOE-D)$	FSMC_NOE high to FSMC_D[15:0] invalid	2	-	
$t_w(NWE)$	FSMC_NWE low width	$8T_{HCLK} - 1$	$8T_{HCLK} + 4$	
$t_d(NWE\_NCEx)$	FSMC_NWE high to FSMC_NCEx high	$5T_{HCLK} + 1.5$	-	
$t_d(NCEx-NWE)$	FSMC_NCEx low to FSMC_NWE low	-	$5T_{HCLK} + 1$	
$t_v(NWE-D)$	FSMC_NWE low to FSMC_D[15:0] valid	-	0	
$t_h(NWE-D)$	FSMC_NWE high to FSMC_D[15:0] invalid	$8T_{HCLK}$	-	
$t_d(D-NWE)$	FSMC_D[15:0] valid before FSMC_NWE high	$13T_{HCLK}$	-	

1.  $C_L = 30$  pF.
2. Guaranteed by characterization results, not tested in production.

Table 81. Switching characteristics for PC Card/CF read and write cycles in I/O space<sup>(1)(2)</sup>

Symbol	Parameter	Min	Max	Unit
$t_{w(NIOWR)}$	FSMC_NIOWR low width	$8T_{HCLK} - 0.5$	-	ns
$t_{v(NIOWR-D)}$	FSMC_NIOWR low to FSMC_D[15:0] valid	-	$5T_{HCLK} - 1$	
$t_{h(NIOWR-D)}$	FSMC_NIOWR high to FSMC_D[15:0] invalid	$8T_{HCLK} - 3$	-	
$t_{d(NCE4\_1-NIOWR)}$	FSMC_NCE4_1 low to FSMC_NIOWR valid	-	$5T_{HCLK} + 1.5$	
$t_{h(NCEx-NIOWR)}$	FSMC_NCEx high to FSMC_NIOWR invalid	$5T_{HCLK}$	-	
$t_{d(NIORD-NCEx)}$	FSMC_NCEx low to FSMC_NIORD valid	-	$5T_{HCLK} + 1$	
$t_{h(NCEx-NIORD)}$	FSMC_NCEx high to FSMC_NIORD valid	$5T_{HCLK} - 0.5$	-	
$t_{w(NIORD)}$	FSMC_NIORD low width	$8T_{HCLK} + 1$	-	
$t_{su(D-NIORD)}$	FSMC_D[15:0] valid before FSMC_NIORD high	9.5	-	
$t_{d(NIORD-D)}$	FSMC_D[15:0] valid after FSMC_NIORD high	0	-	

1.  $C_L = 30$  pF.
2. Guaranteed by characterization results, not tested in production.

### NAND controller waveforms and timings

Figure 71 through Figure 74 represent synchronous waveforms, together with Table 82 and Table 83 provides the corresponding timings. The results shown in this table are obtained with the following FSMC configuration:

- COM.FSMC\_SetupTime = 0x01;
- COM.FSMC\_WaitSetupTime = 0x03;
- COM.FSMC\_HoldSetupTime = 0x02;
- COM.FSMC\_HiZSetupTime = 0x01;
- ATT.FSMC\_SetupTime = 0x01;
- ATT.FSMC\_WaitSetupTime = 0x03;
- ATT.FSMC\_HoldSetupTime = 0x02;
- ATT.FSMC\_HiZSetupTime = 0x01;
- Bank = FSMC\_Bank\_NAND;
- MemoryDataWidth = FSMC\_MemoryDataWidth\_16b;
- ECC = FSMC\_ECC\_Enable;
- ECCPageSize = FSMC\_ECCPageSize\_512Bytes;
- TCLRSetupTime = 0;
- TARSetupTime = 0;

In all timing tables, the  $T_{HCLK}$  is the HCLK clock period.

Figure 71. NAND controller waveforms for read access



Figure 72. NAND controller waveforms for write access





Figure 73. NAND controller waveforms for common memory read access



Figure 74. NAND controller waveforms for common memory write access



Table 82. Switching characteristics for NAND Flash read cycles<sup>(1)(2)</sup>

Symbol	Parameter	Min	Max	Unit
$t_{w(NOE)}$	FSMC_NOE low width	$4T_{HCLK} - 1$	$4T_{HCLK} + 2$	ns
$t_{su(D-NOE)}$	FSMC_D[15:0] valid data before FSMC_NOE high	9	-	
$t_{h(NOE-D)}$	FSMC_D[15:0] valid data after FSMC_NOE high	3	-	
$t_{d(ALE-NOE)}$	FSMC_ALE valid before FSMC_NOE low	-	$3T_{HCLK}$	
$t_{h(NOE-ALE)}$	FSMC_NWE high to FSMC_ALE invalid	$3T_{HCLK} + 2$	-	

1.  $C_L = 30$  pF.

2. Guaranteed by characterization results, not tested in production.

**Table 83. Switching characteristics for NAND Flash write cycles<sup>(1)(2)</sup>**

Symbol	Parameter	Min	Max	Unit
$t_{w(NWE)}$	FSMC_NWE low width	$4T_{HCLK} - 1$	$4T_{HCLK} + 3$	ns
$t_{v(NWE-D)}$	FSMC_NWE low to FSMC_D[15-0] valid	-	0	
$t_{h(NWE-D)}$	FSMC_NWE high to FSMC_D[15-0] invalid	$3T_{HCLK}$	-	
$t_{d(D-NWE)}$	FSMC_D[15-0] valid before FSMC_NWE high	$5T_{HCLK}$	-	
$t_{d(ALE-NWE)}$	FSMC_ALE valid before FSMC_NWE low	-	$3T_{HCLK} + 2$	
$t_{h(NWE-ALE)}$	FSMC_NWE high to FSMC_ALE invalid	$3T_{HCLK} - 2$	-	

1.  $C_L = 30$  pF.
2. Guaranteed by characterization results, not tested in production.

### 6.3.26 Camera interface (DCMI) timing specifications

**Table 84. DCMI characteristics**

Symbol	Parameter	Conditions	Min	Max
-	Frequency ratio DCMI_PIXCLK/ $f_{HCLK}$	DCMI_PIXCLK = 48 MHz	-	0.4

### 6.3.27 SD/SDIO MMC card host interface (SDIO) characteristics

Unless otherwise specified, the parameters given in [Table 85](#) are derived from tests performed under ambient temperature,  $f_{PCLKx}$  frequency and  $V_{DD}$  supply voltage conditions summarized in [Table 14](#).

Refer to [Section 6.3.16: I/O port characteristics](#) for more details on the input/output alternate function characteristics (D[7:0], CMD, CK).

**Figure 75. SDIO high-speed mode**



Figure 76. SD default mode



ai14888

Table 85. SD/MMC characteristics

Symbol	Parameter	Conditions	Min	Max	Unit
f <sub>PP</sub>	Clock frequency in data transfer mode	C <sub>L</sub> ≤ 30 pF	0	48	MHz
-	SDIO_CK/f <sub>PCLK2</sub> frequency ratio	-	-	8/3	-
t <sub>W(CKL)</sub>	Clock low time, f <sub>PP</sub> = 16 MHz	C <sub>L</sub> ≤ 30 pF	32	-	ns
t <sub>W(CKH)</sub>	Clock high time, f <sub>PP</sub> = 16 MHz	C <sub>L</sub> ≤ 30 pF	31	-	
t <sub>r</sub>	Clock rise time	C <sub>L</sub> ≤ 30 pF	-	3.5	
t <sub>f</sub>	Clock fall time	C <sub>L</sub> ≤ 30 pF	-	5	
<b>CMD, D inputs (referenced to CK)</b>					
t <sub>ISU</sub>	Input setup time	C <sub>L</sub> ≤ 30 pF	2	-	ns
t <sub>IH</sub>	Input hold time	C <sub>L</sub> ≤ 30 pF	0	-	
<b>CMD, D outputs (referenced to CK) in MMC and SD HS mode</b>					
t <sub>OV</sub>	Output valid time	C <sub>L</sub> ≤ 30 pF	-	6	ns
t <sub>OH</sub>	Output hold time	C <sub>L</sub> ≤ 30 pF	0.3	-	
<b>CMD, D outputs (referenced to CK) in SD default mode<sup>(1)</sup></b>					
t <sub>OVD</sub>	Output valid default time	C <sub>L</sub> ≤ 30 pF	-	7	ns
t <sub>OHD</sub>	Output hold default time	C <sub>L</sub> ≤ 30 pF	0.5	-	

1. Refer to SDIO\_CLKCR, the SDI clock control register to control the CK output.

### 6.3.28 RTC characteristics

Table 86. RTC characteristics

Symbol	Parameter	Conditions	Min	Max
-	f <sub>PCLK1</sub> /RTCCLK frequency ratio	Any read/write operation from/to an RTC register	4	-

# 7 Package information

In order to meet environmental requirements, ST offers these devices in different grades of ECOPACK packages, depending on their level of environmental compliance. ECOPACK specifications, grade definitions and product status are available at: [www.st.com](http://www.st.com). ECOPACK is an ST trademark.

## 7.1 LQFP64 package information

LQFP64 is a 64-pin, 10 x 10 mm low-profile quad flat package.

Figure 77. LQFP64 outline



1. Drawing is not to scale.

Table 87. LQFP64 mechanical data

Symbol	millimeters			inches <sup>(1)</sup>		
	Min	Typ	Max	Min	Typ	Max
A	-	-	1.600	-	-	0.0630
A1	0.050	-	0.150	0.0020	-	0.0059
A2	1.350	1.400	1.450	0.0531	0.0551	0.0571

Table 87. LQFP64 mechanical data (continued)

Symbol	millimeters			inches <sup>(1)</sup>		
	Min	Typ	Max	Min	Typ	Max
b	0.170	0.220	0.270	0.0067	0.0087	0.0106
c	0.090	-	0.200	0.0035	-	0.0079
D	-	12.000	-	-	0.4724	-
D1	-	10.000	-	-	0.3937	-
D3	-	7.500	-	-	0.2953	-
E	-	12.000	-	-	0.4724	-
E1	-	10.000	-	-	0.3937	-
E3	-	7.500	-	-	0.2953	-
e	-	0.500	-	-	0.0197	-
K	0°	3.5°	7°	0°	3.5°	7°
L	0.450	0.600	0.750	0.0177	0.0236	0.0295
L1	-	1.000	-	-	0.0394	-
ccc	-	-	0.080	-	-	0.0031

1. Values in inches are converted from mm and rounded to four decimal digits.

Figure 78. LQFP64 recommended footprint



1. Dimensions are expressed in millimeters.

**Device marking**

Figure 79 gives an example of topside marking orientation versus pin 1 identifier location.

The printed markings may differ depending on the supply chain.

Other optional marking or inset/upset marks, which identify the parts throughout supply chain operations, are not indicated below.

**Figure 79. Device marking (package top view)**



## 7.2 WLCSP64+2 package information

WLCSP64+2 is a 66-ball, 3.639 x 3.971 mm, 0.4 mm pitch wafer level chip scale package.

Figure 80. WLCSP64+2 outline



1. Drawing is not to scale.

Table 88. WLCSP64+2 mechanical data

Symbol	millimeters			inches <sup>(1)</sup>		
	Min	Typ	Max	Min	Typ	Max
A	0.540	0.570	0.600	0.0213	0.0224	0.0236
A1	-	0.190	-	-	0.0075	-
A2	-	0.380	-	-	0.0150	-
A3	-	0.025	-	-	0.0100	-
b <sup>(2)</sup>	0.240	0.270	0.300	0.0094	0.0106	0.0118
D	3.604	3.639	3.674	0.1419	0.1433	0.1446
E	3.936	3.971	4.006	0.1550	0.1563	0.1577
e	-	0.400	-	-	0.0157	-
e1	-	3.200	-	-	0.1260	-
e2	-	3.200	-	-	0.1260	-

**Table 88. WLCSP64+2 mechanical data (continued)**

Symbol	millimeters			inches <sup>(1)</sup>		
	Min	Typ	Max	Min	Typ	Max
F	-	0.220	-	-	0.0087	-
G	-	0.386	-	-	0.0152	-
aaa	-	-	0.100	-	-	0.0039
bbb	-	-	0.100	-	-	0.0039
ccc	-	-	0.100	-	-	0.0039
ddd	-	-	0.050	-	-	0.0020
eee	-	-	0.050	-	-	0.0020

1. Values in inches are converted from mm and rounded to four decimal digits.
2. Dimension is measured at the maximum bump diameter parallel to primary datum Z.

**Figure 81. WLCSP64+2 recommended footprint**



A0FX\_FP\_V1

**Table 89. WLCSP64+2 recommended PCB design rules (0.4 mm pitch)**

Dimension	Recommended values
Pitch	0.4
Dpad	0.225 mm
Dsm	0.290 mm typ. (depends on the soldermask registration tolerance)
Stencil opening	0.250 mm
Stencil thickness	0.100 mm



### 7.3 LQFP100 package information

LQFP100 is a 100-pin, 14 x 14 mm low-profile quad flat package.

Figure 82. LQFP100 outline



1. Drawing is not to scale.

Table 90. LQPF100 mechanical data

Symbol	millimeters			inches <sup>(1)</sup>		
	Min	Typ	Max	Min	Typ	Max
A	-	-	1.600	-	-	0.0630
A1	0.050	-	0.150	0.0020	-	0.0059
A2	1.350	1.400	1.450	0.0531	0.0551	0.0571
b	0.170	0.220	0.270	0.0067	0.0087	0.0106
c	0.090	-	0.200	0.0035	-	0.0079
D	15.800	16.000	16.200	0.6220	0.6299	0.6378
D1	13.800	14.000	14.200	0.5433	0.5512	0.5591
D3	-	12.000	-	-	0.4724	-
E	15.800	16.000	16.200	0.6220	0.6299	0.6378
E1	13.800	14.000	14.200	0.5433	0.5512	0.5591

Table 90. LQPF100 mechanical data (continued)

Symbol	millimeters			inches <sup>(1)</sup>		
	Min	Typ	Max	Min	Typ	Max
E3	-	12.000	-	-	0.4724	-
e	-	0.500	-	-	0.0197	-
L	0.450	0.600	0.750	0.0177	0.0236	0.0295
L1	-	1.000	-	-	0.0394	-
k	0.0°	3.5°	7.0°	0.0°	3.5°	7.0°
ccc	-	-	0.080	-	-	0.0031

1. Values in inches are converted from mm and rounded to four decimal digits.

Figure 83. LQFP100 recommended footprint



1. Dimensions are expressed in millimeters.

**Device marking**

The following figure gives an example of topside marking and pin 1 position identifier location.

The printed markings may differ depending on the supply chain.

Other optional marking or inset/upset marks, which depend on supply chain operations, are not indicated below.

**Figure 84. LQFP100 marking (package top view)**



1. Parts marked as “ES”, “E” or accompanied by an Engineering Sample notification letter, are not yet qualified and therefore not yet ready to be used in production and any consequences deriving from such usage will not be at ST charge. In no event, ST will be liable for any customer usage of these engineering samples in production. ST Quality has to be contacted prior to any decision to use these Engineering samples to run qualification activity.

### 7.4 LQFP144 package information

LQFP144 is a 144-pin, 20 x 20 mm low-profile quad flat package.

Figure 85. LQFP144 outline



1. Drawing is not to scale.

Table 91. LQFP144 mechanical data

Symbol	millimeters			inches <sup>(1)</sup>		
	Min	Typ	Max	Min	Typ	Max
A	-	-	1.600	-	-	0.0630
A1	0.050	-	0.150	0.0020	-	0.0059
A2	1.350	1.400	1.450	0.0531	0.0551	0.0571
b	0.170	0.220	0.270	0.0067	0.0087	0.0106
c	0.090	-	0.200	0.0035	-	0.0079
D	21.800	22.000	22.200	0.8583	0.8661	0.8740
D1	19.800	20.000	20.200	0.7795	0.7874	0.7953
D3	-	17.500	-	-	0.6890	-
E	21.800	22.000	22.200	0.8583	0.8661	0.8740
E1	19.800	20.000	20.200	0.7795	0.7874	0.7953
E3	-	17.500	-	-	0.6890	-
e	-	0.500	-	-	0.0197	-
L	0.450	0.600	0.750	0.0177	0.0236	0.0295
L1	-	1.000	-	-	0.0394	-
k	0°	3.5°	7°	0°	3.5°	7°
ccc	-	-	0.080	-	-	0.0031

1. Values in inches are converted from mm and rounded to four decimal digits.

Figure 86. LQFP144 recommended footprint



1. Dimensions are expressed in millimeters.

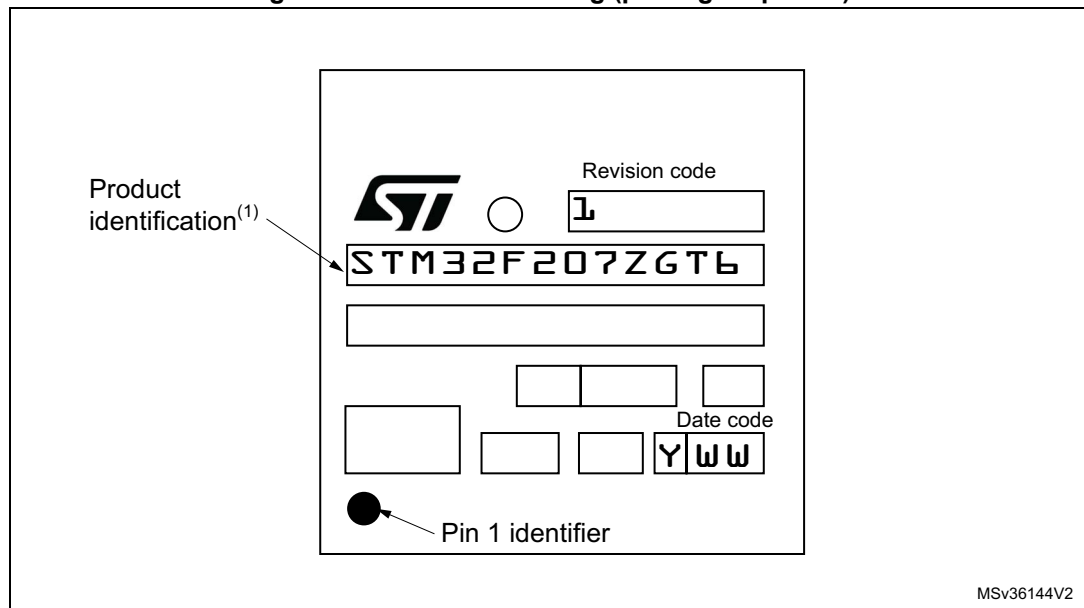
**Device marking**

The following figure gives an example of topside marking and pin 1 position identifier location.

The printed markings may differ depending on the supply chain.

Other optional marking or inset/upset marks, which depend on supply chain operations, are not indicated below.

**Figure 87. LQFP144 marking (package top view)**

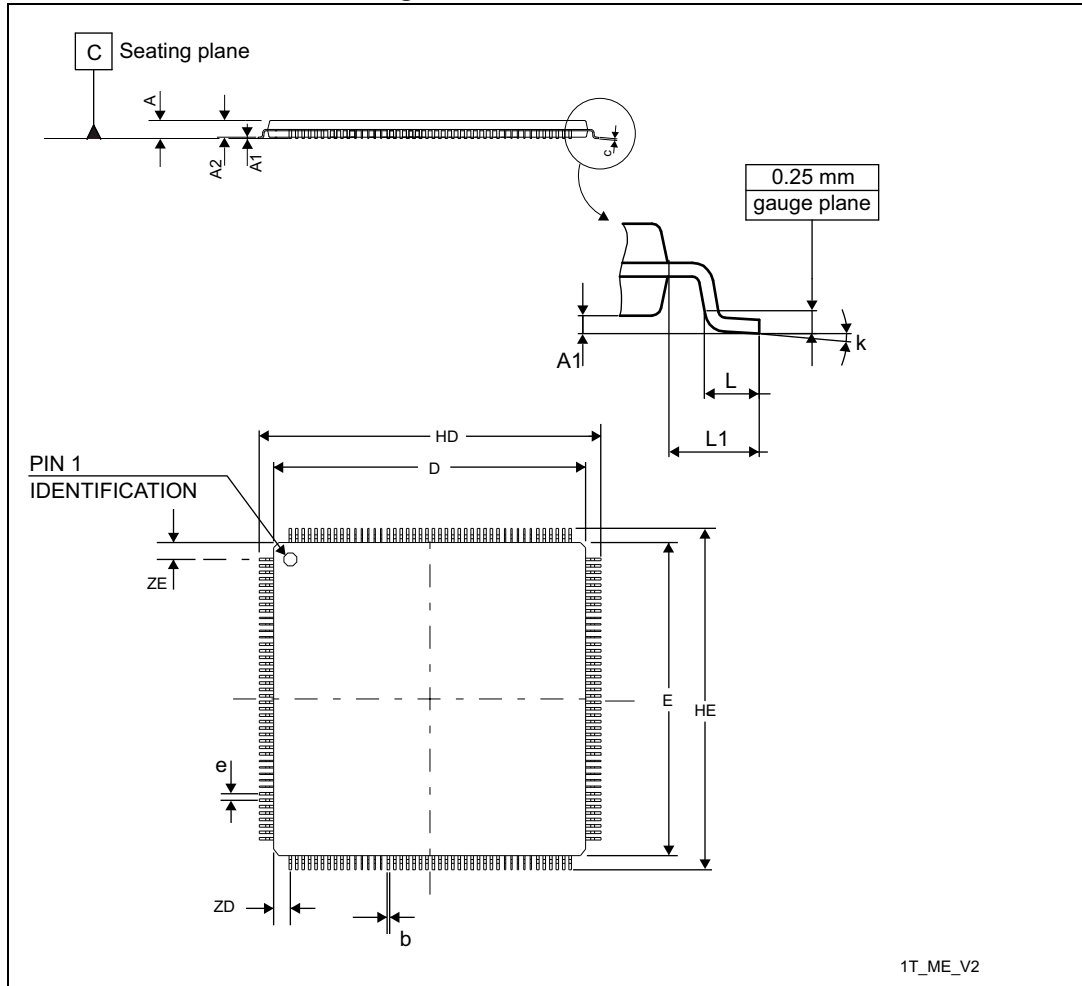


1. Parts marked as “ES”, “E” or accompanied by an Engineering Sample notification letter, are not yet qualified and therefore not yet ready to be used in production and any consequences deriving from such usage will not be at ST charge. In no event, ST will be liable for any customer usage of these engineering samples in production. ST Quality has to be contacted prior to any decision to use these Engineering samples to run qualification activity.

### 7.5 LQFP176 package information

LQFP176 is a 176-pin, 24 x 24 mm low profile quad flat package.

Figure 88. LQFP176 outline



1. Drawing is not to scale.

Table 92. LQFP176 mechanical data

Symbol	Dimensions					
	millimeters			inches <sup>(1)</sup>		
	Min	Typ	Max	Min	Typ	Max
A	-	-	1.600	-	-	0.0630
A1	0.050	-	0.150	0.0020	-	0.0059
A2	1.350	-	1.450	0.0531	-	0.0571
b	0.170	-	0.270	0.0067	-	0.0106
c	0.090	-	0.200	0.0035	-	0.0079



Table 92. LQFP176 mechanical data (continued)

Symbol	Dimensions					
	millimeters			inches <sup>(1)</sup>		
	Min	Typ	Max	Min	Typ	Max
D	23.900	-	24.100	0.9409	-	0.9488
HD	25.900	-	26.100	1.0197	-	1.0276
ZD	-	1.250	-	-	0.0492	-
E	23.900	-	24.100	0.9409	-	0.9488
HE	25.900	-	26.100	1.0197	-	1.0276
ZE	-	1.250	-	-	0.0492	-
e	-	0.500	-	-	0.0197	-
L <sup>(2)</sup>	0.450	-	0.750	0.0177	-	0.0295
L1	-	1.000	-	-	0.0394	-
k	0°	-	7°	0°	-	7°
ccc	-	-	0.080	-	-	0.0031

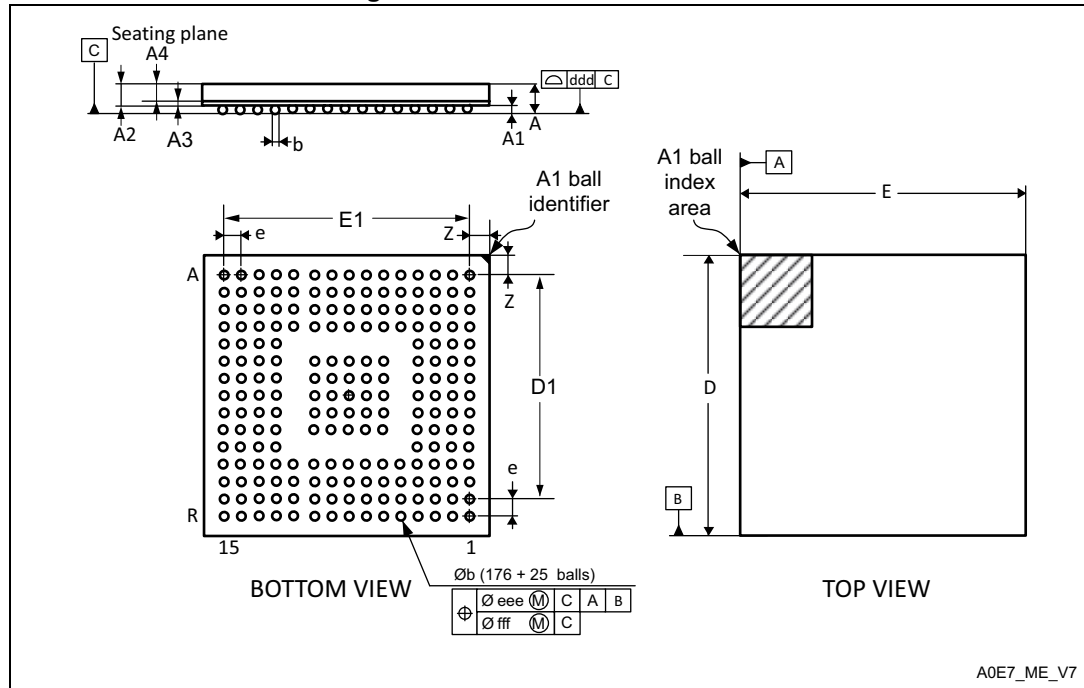
1. Values in inches are converted from mm and rounded to four decimal digits.
2. L dimension is measured at gauge plane at 0.25 mm above the seating plane.



### 7.6 UFBGA176+25 package information

UFBGA176+25 is a 201-ball, 10 x 10 mm, 0.65 mm pitch ultra fine pitch ball grid array package.

Figure 90. UFBGA176+25 outline



1. Drawing is not to scale.

Table 93. UFBGA176+25 mechanical data

Symbol	millimeters			inches <sup>(1)</sup>		
	Min	Typ	Max	Min	Typ	Max
A	-	-	0.600	-	-	0.0236
A1	-	-	0.110	-	-	0.0043
A2	-	0.450	-	-	0.0177	-
A3	-	0.130	-	-	0.0051	0.0094
A4	-	0.320	-	-	0.0126	-
b	0.240	0.290	0.340	0.0094	0.0114	0.0134
D	9.850	10.000	10.150	0.3878	0.3937	0.3996
D1	-	9.100	-	-	0.3583	-
E	9.850	10.000	10.150	0.3878	0.3937	0.3996
E1	-	9.100	-	-	0.3583	-
e	-	0.650	-	-	0.0256	-
Z	-	0.450	-	-	0.0177	-
ddd	-	-	0.080	-	-	0.0031

**Table 93. UFBGA176+25 mechanical data (continued)**

Symbol	millimeters			inches <sup>(1)</sup>		
	Min	Typ	Max	Min	Typ	Max
eee	-	-	0.150	-	-	0.0059
fff	-	-	0.050	-	-	0.0020

1. Values in inches are converted from mm and rounded to four decimal digits.

**Figure 91. UFBGA176+25 recommended footprint**



**Table 94. UFBGA176+25 recommended PCB design rules (0.65 mm pitch BGA)**

Dimension	Recommended values
Pitch	0.65 mm
Dpad	0.300 mm
Dsm	0.400 mm typ (depends on the soldermask registration tolerance)
Stencil opening	0.300 mm
Stencil thickness	Between 0.100 mm and 0.125 mm
Pad trace width	0.100 mm

**Device marking**

The following figure gives an example of topside marking and ball A1 position identifier location.

The printed markings may differ depending on the supply chain.

Other optional marking or inset/upset marks, which depend on supply chain operations, are not indicated below.

**Figure 92. UFBGA176+25 marking (package top view)**



1. Parts marked as “ES”, “E” or accompanied by an Engineering Sample notification letter, are not yet qualified and therefore not yet ready to be used in production and any consequences deriving from such usage will not be at ST charge. In no event, ST will be liable for any customer usage of these engineering samples in production. ST Quality has to be contacted prior to any decision to use these Engineering samples to run qualification activity.

## 7.7 Thermal characteristics

The maximum chip-junction temperature,  $T_J \text{ max}$ , in degrees Celsius, may be calculated using the following equation:

$$T_J \text{ max} = T_A \text{ max} + (P_D \text{ max} \times \Theta_{JA})$$

Where:

- $T_A \text{ max}$  is the maximum ambient temperature in °C,
- $\Theta_{JA}$  is the package junction-to-ambient thermal resistance, in °C/W,
- $P_D \text{ max}$  is the sum of  $P_{INT} \text{ max}$  and  $P_{I/O} \text{ max}$  ( $P_D \text{ max} = P_{INT} \text{ max} + P_{I/O} \text{ max}$ ),
- $P_{INT} \text{ max}$  is the product of  $I_{DD}$  and  $V_{DD}$ , expressed in Watts. This is the maximum chip internal power.

$P_{I/O} \text{ max}$  represents the maximum power dissipation on output pins where:

$$P_{I/O} \text{ max} = \Sigma (V_{OL} \times I_{OL}) + \Sigma ((V_{DD} - V_{OH}) \times I_{OH}),$$

taking into account the actual  $V_{OL} / I_{OL}$  and  $V_{OH} / I_{OH}$  of the I/Os at low and high level in the application.

**Table 95. Package thermal characteristics**

Symbol	Parameter	Value	Unit
$\Theta_{JA}$	Thermal resistance junction-ambient LQFP 64 - 10 × 10 mm / 0.5 mm pitch	45	°C/W
	Thermal resistance junction-ambient WLCSP64+2 - 0.400 mm pitch	51	
	Thermal resistance junction-ambient LQFP100 - 14 × 14 mm / 0.5 mm pitch	46	
	Thermal resistance junction-ambient LQFP144 - 20 × 20 mm / 0.5 mm pitch	40	
	Thermal resistance junction-ambient LQFP176 - 24 × 24 mm / 0.5 mm pitch	38	
	Thermal resistance junction-ambient UFBGA176 - 10× 10 mm / 0.5 mm pitch	39	

### Reference document

JESD51-2 Integrated Circuits Thermal Test Method Environment Conditions - Natural Convection (Still Air). Available from [www.jedec.org](http://www.jedec.org).

## 8 Ordering information

Example:

STM32 F 205 R E T 6 V xxx

**Device family**

STM32 = Arm-based 32-bit microcontroller

**Product type**

F = general-purpose

**Device subfamily**

205 = STM32F20x, connectivity

207 = STM32F20x, connectivity, camera interface, Ethernet

**Pin count**

R = 64 or 66 pins<sup>(1)</sup>

V = 100 pins

Z = 144 pins

I = 176 pins

**Flash memory size**

B = 128 Kbytes of Flash memory

C = 256 Kbytes of Flash memory

E = 512 Kbytes of Flash memory

F = 768 Kbytes of Flash memory

G = 1024 Kbytes of Flash memory

**Package**

T = LQFP

H = UFBGA

Y = WLCSP

**Temperature range**

6 = Industrial temperature range, -40 to 85 °C.

7 = Industrial temperature range, -40 to 105 °C.

**Software option**

Internal code or Blank

**Options**

xxx = programmed parts

TR = tape and reel

1. The 66 pins is available on WLCSP package only.

For a list of available options (speed, package, etc.) or for further information on any aspect of this device, contact your nearest ST sales office.

## 9 Revision history

**Table 96. Document revision history**

Date	Revision	Changes
05-Jun-2009	1	Initial release.
09-Oct-2009	2	Document status promoted from Target specification to Preliminary data. In <a href="#">Table 8: STM32F20x pin and ball definitions</a> : – Note 4 updated – V <sub>DD_SA</sub> and V <sub>DD_3</sub> pins inverted ( <a href="#">Figure 12: STM32F20x LQFP100 pinout</a> , <a href="#">Figure 13: STM32F20x LQFP144 pinout</a> and <a href="#">Figure 14: STM32F20x LQFP176 pinout</a> corrected accordingly). <i>Section</i> : In order to meet environmental requirements, ST offers these devices in different grades of ECOPACK packages, depending on their level of environmental compliance. ECOPACK specifications, grade definitions and product status are available at: <a href="http://www.st.com">www.st.com</a> . ECOPACK is an ST trademark. changed to LQFP with no exposed pad.
01-Feb-2010	3	LFBGA144 package removed. STM32F203xx part numbers removed. Part numbers with 128 and 256 Kbyte Flash densities added. Encryption features removed. PC13-TAMPER-RTC renamed to PC13-RTC_AF1 and PI8-TAMPER-RTC renamed to PI8-RTC_AF2.
13-Jul-2010	4	Renamed high-speed SRAM, system SRAM. Removed combination: 128 KBytes Flash memory in LQFP144. Added UFBGA176 package. Added note 1 related to LQFP176 package in <a href="#">Table 2</a> , <a href="#">Figure 14</a> , and <a href="#">Table</a> . Added information on ART accelerator and audio PLL (PLL12S). Added <a href="#">Table 6: USART feature comparison</a> . Several updates on <a href="#">Table 8: STM32F20x pin and ball definitions</a> and <a href="#">Table 10: Alternate function mapping</a> . ADC, DAC, oscillator, RTC_AF, WKUP and VBUS signals removed from alternate functions and moved to the “other functions” column in <a href="#">Table 8: STM32F20x pin and ball definitions</a> . TRACESWO added in <a href="#">Figure 4: STM32F20x block diagram</a> , <a href="#">Table 8: STM32F20x pin and ball definitions</a> , and <a href="#">Table 10: Alternate function mapping</a> . XTAL oscillator frequency updated on cover page, in <a href="#">Figure 4: STM32F20x block diagram</a> and in <a href="#">Section 3.11: External interrupt/event controller (EXTI)</a> . Updated list of peripherals used for boot mode in <a href="#">Section 3.13: Boot modes</a> . Added Regulator bypass mode in <a href="#">Section 3.16: Voltage regulator</a> , and <a href="#">Section 6.3.4: Operating conditions at power-up / power-down (regulator OFF)</a> . Updated <a href="#">Section 3.17: Real-time clock (RTC), backup SRAM and backup registers</a> . Added <i>Note Note</i> : in <a href="#">Section 3.18: Low-power modes</a> . Added SPI TI protocol in <a href="#">Section 3.23: Serial peripheral interface (SPI)</a> .



Table 96. Document revision history (continued)

Date	Revision	Changes
13-Jul-2010	4 (cont'd)	<p>Added USB OTG_FS features in <a href="#">Section 3.28: Universal serial bus on-the-go full-speed (OTG_FS)</a>.</p> <p>Updated V<sub>CAP_1</sub> and V<sub>CAP_2</sub> capacitor value to 2.2 μF in <a href="#">Figure 19: Power supply scheme</a>.</p> <p>Removed DAC, modified ADC limitations, and updated I/O compensation for 1.8 to 2.1 V range in <a href="#">Table 15: Limitations depending on the operating power supply range</a>.</p> <p>Added V<sub>BORL</sub>, V<sub>BORM</sub>, V<sub>BORH</sub> and I<sub>RUSH</sub> in <a href="#">Table 19: Embedded reset and power control block characteristics</a>.</p> <p>Removed table Typical current consumption in Sleep mode with Flash memory in Deep power down mode. Merged typical and maximum current consumption sections and added <a href="#">Table 21: Typical and maximum current consumption in Run mode, code with data processing running from Flash memory (ART accelerator disabled)</a>, <a href="#">Table 20: Typical and maximum current consumption in Run mode, code with data processing running from Flash memory (ART accelerator enabled) or RAM</a>, <a href="#">Table 22: Typical and maximum current consumption in Sleep mode</a>, <a href="#">Table 23: Typical and maximum current consumptions in Stop mode</a>, <a href="#">Table 24: Typical and maximum current consumptions in Standby mode</a>, and <a href="#">Table 25: Typical and maximum current consumptions in V<sub>BAT</sub> mode</a>.</p> <p>Update <a href="#">Table 34: Main PLL characteristics</a> and added <a href="#">Section 6.3.11: PLL spread spectrum clock generation (SSCG) characteristics</a>.</p> <p>Added <a href="#">Note 8</a> for CIO in <a href="#">Table 48: I/O AC characteristics</a>.</p> <p>Updated <a href="#">Section 6.3.18: TIM timer characteristics</a>.</p> <p>Added T<sub>NRST_OUT</sub> in <a href="#">Table 49: NRST pin characteristics</a>.</p> <p>Updated <a href="#">Table 52: I<sup>2</sup>C characteristics</a>.</p> <p>Removed 8-bit data in and data out waveforms from <a href="#">Figure 48: ULPI timing diagram</a>.</p> <p>Removed note related to ADC calibration in <a href="#">Table 67. Section 6.3.20: 12-bit ADC characteristics</a>: ADC characteristics tables merged into one single table; tables ADC conversion time and ADC accuracy removed.</p> <p>Updated <a href="#">Table 68: DAC characteristics</a>.</p> <p>Updated <a href="#">Section 6.3.22: Temperature sensor characteristics</a> and <a href="#">Section 6.3.23: V<sub>BAT</sub> monitoring characteristics</a>.</p> <p>Update <a href="#">Section 6.3.26: Camera interface (DCMI) timing specifications</a>.</p> <p>Added <a href="#">Section 6.3.27: SD/SDIO MMC card host interface (SDIO) characteristics</a>, and <a href="#">Section 6.3.28: RTC characteristics</a>.</p> <p>Added <a href="#">Section 7.7: Thermal characteristics</a>. Updated <a href="#">Table 91: LQFP176 - Low profile quad flat package 24 × 24 × 1.4 mm package mechanical data</a> and <a href="#">Figure 86: LQFP176 - Low profile quad flat package 24 × 24 × 1.4 mm, package outline</a>.</p> <p>Changed tape and reel code to TX in <a href="#">Table .</a></p> <p>Added <a href="#">Table 101: Main applications versus package for STM32F2xxx microcontrollers</a>. Updated figures in <a href="#">Appendix A.2: USB OTG full speed (FS) interface solutions</a> and <a href="#">A.3: USB OTG high speed (HS) interface solutions</a>. Updated <a href="#">Figure 94: Audio player solution using PLL, PLLI2S, USB and 1 crystal</a> and <a href="#">Figure 95: Audio PLL (PLLI2S) providing accurate I2S clock</a>.</p>

Table 96. Document revision history (continued)

Date	Revision	Changes
25-Nov-2010	5	<p>Update I/Os in <a href="#">Section : Features</a>.</p> <p>Added WLCSP64+2 package. Added note 1 related to LQFP176 on cover page.</p> <p>Added trademark for ART accelerator. Updated <a href="#">Section 3.2: Adaptive real-time memory accelerator (ART Accelerator™)</a>.</p> <p>Updated <a href="#">Figure 5: Multi-AHB matrix</a>.</p> <p>Added case of BOR inactivation using IRROFF on WLCSP devices in <a href="#">Section 3.15: Power supply supervisor</a>.</p> <p>Reworked <a href="#">Section 3.16: Voltage regulator</a> to clarify regulator off modes. Renamed PDROFF, IRROFF in the whole document.</p> <p>Added <a href="#">Section 3.19: V<sub>BAT</sub> operation</a>.</p> <p>Updated LIN and IrDA features for UART4/5 in <a href="#">Table 6: USART feature comparison</a>.</p> <p><a href="#">Table 8: STM32F20x pin and ball definitions</a>: Modified V<sub>DD_3</sub> pin, and added note related to the FSMC_NL pin; renamed BYPASS-REG REGOFF, and add IRROFF pin; renamed USART4/5 UART4/5. USART4 pins renamed UART4.</p> <p>Changed V<sub>SS_SA</sub> to V<sub>SS</sub>, and V<sub>DD_SA</sub> pin reserved for future use.</p> <p>Updated maximum HSE crystal frequency to 26 MHz.</p> <p><a href="#">Section 6.2: Absolute maximum ratings</a>: Updated V<sub>IN</sub> minimum and maximum values and note related to five-volt tolerant inputs in <a href="#">Table 11: Voltage characteristics</a>. Updated I<sub>INJ(PIN)</sub> maximum values and related notes in <a href="#">Table 12: Current characteristics</a>.</p> <p>Updated V<sub>DDA</sub> minimum value in <a href="#">Table 14: General operating conditions</a>.</p> <p>Added Note 2 and updated Maximum CPU frequency in <a href="#">Table 15: Limitations depending on the operating power supply range</a>, and added <a href="#">Figure 21: Number of wait states versus f<sub>CPU</sub> and V<sub>DD</sub> range</a>.</p> <p>Added brownout level 1, 2, and 3 thresholds in <a href="#">Table 19: Embedded reset and power control block characteristics</a>.</p> <p>Changed f<sub>OSC_IN</sub> maximum value in <a href="#">Table 30: HSE 4-26 MHz oscillator characteristics</a>.</p> <p>Changed f<sub>PLL_IN</sub> maximum value in <a href="#">Table 34: Main PLL characteristics</a>, and updated jitter parameters in <a href="#">Table 35: PLLI2S (audio PLL) characteristics</a>.</p> <p><a href="#">Section 6.3.16: I/O port characteristics</a>: updated V<sub>IH</sub> and V<sub>IL</sub> in <a href="#">Table 48: I/O AC characteristics</a>.</p> <p>Added <a href="#">Note 1</a> below <a href="#">Table 47: Output voltage characteristics</a>.</p> <p>Updated R<sub>PD</sub> and R<sub>PJ</sub> parameter description in <a href="#">Table 57: USB OTG FS DC electrical characteristics</a>.</p> <p>Updated V<sub>REF+</sub> minimum value in <a href="#">Table 66: ADC characteristics</a>.</p> <p>Updated <a href="#">Table 71: Embedded internal reference voltage</a>.</p> <p>Removed Ethernet and USB2 for 64-pin devices in <a href="#">Table 101: Main applications versus package for STM32F2xxx microcontrollers</a>.</p> <p>Added <a href="#">A.2: USB OTG full speed (FS) interface solutions</a>, removed “OTG FS connection with external PHY” figure, updated <a href="#">Figure 87</a>, <a href="#">Figure 88</a>, and <a href="#">Figure 90</a> to add STULPI01B.</p>

Table 96. Document revision history (continued)

Date	Revision	Changes
22-Apr-2011	6	<p>Changed datasheet status to “Full Datasheet”.</p> <p>Introduced concept of SRAM1 and SRAM2.</p> <p>LQFP176 package now in production and offered only for 256 Kbyte and 1 Mbyte devices. Availability of WLCSP64+2 package limited to 512 Kbyte and 1 Mbyte devices.</p> <p>Updated <a href="#">Figure 3: Compatible board design between STM32F10x and STM32F2xx for LQFP144 package</a> and <a href="#">Figure 2: Compatible board design between STM32F10x and STM32F2xx for LQFP100 package</a>.</p> <p>Added camera interface for STM32F207Vx devices in <a href="#">Table 2: STM32F205xx features and peripheral counts</a>.</p> <p>Removed 16 MHz internal RC oscillator accuracy in <a href="#">Section 3.12: Clocks and startup</a>.</p> <p>Updated <a href="#">Section 3.16: Voltage regulator</a>.</p> <p>Modified I<sup>2</sup>S sampling frequency range in <a href="#">Section 3.12: Clocks and startup</a>, <a href="#">Section 3.24: Inter-integrated sound (I<sup>2</sup>S)</a>, and <a href="#">Section 3.30: Audio PLL (PLL12S)</a>.</p> <p>Updated <a href="#">Section 3.17: Real-time clock (RTC), backup SRAM and backup registers</a> and description of TIM2 and TIM5 in <a href="#">Section 3.20.2: General-purpose timers (TIMx)</a>.</p> <p>Modified maximum baud rate (oversampling by 16) for USART1 in <a href="#">Table 6: USART feature comparison</a>.</p> <p>Updated note related to RFU pin below <a href="#">Figure 12: STM32F20x LQFP100 pinout</a>, <a href="#">Figure 13: STM32F20x LQFP144 pinout</a>, <a href="#">Figure 14: STM32F20x LQFP176 pinout</a>, <a href="#">Figure 15: STM32F20x UFBGA176 ballout</a>, and <a href="#">Table 8: STM32F20x pin and ball definitions</a>.</p> <p>In <a href="#">Table 8: STM32F20x pin and ball definitions</a>, changed I2S2_CK and I2S3_CK to I2S2_SCK and I2S3_SCK, respectively; added PA15 and TT (3.6 V tolerant I/O).</p> <p>Added RTC_50Hz as PB15 alternate function in <a href="#">Table 8: STM32F20x pin and ball definitions</a> and <a href="#">Table 10: Alternate function mapping</a>.</p> <p>Removed ETH_RMII_TX_CLK for PC3/AF11 in <a href="#">Table 10: Alternate function mapping</a>.</p> <p>Updated <a href="#">Table 11: Voltage characteristics</a> and <a href="#">Table 12: Current characteristics</a>.</p> <p>T<sub>STG</sub> updated to –65 to +150 in <a href="#">Table 13: Thermal characteristics</a>.</p> <p>Added CEXT, ESL, and ESR in <a href="#">Table 14: General operating conditions</a> as well as <a href="#">Section 6.3.2: VCAP1/VCAP2 external capacitor</a>.</p> <p>Modified <a href="#">Note 4</a> in <a href="#">Table 15: Limitations depending on the operating power supply range</a>.</p> <p>Updated <a href="#">Table 17: Operating conditions at power-up / power-down (regulator ON)</a>, and <a href="#">Table 18: Operating conditions at power-up / power-down (regulator OFF)</a>.</p> <p>Added OSC_OUT pin in <a href="#">Figure 17: Pin loading conditions</a>. and <a href="#">Figure 18: Pin input voltage</a>.</p> <p>Updated <a href="#">Figure 19: Power supply scheme</a> to add IRROFF and REGOFF pins and modified notes.</p> <p>Updated V<sub>PVD</sub>, V<sub>BOR1</sub>, V<sub>BOR2</sub>, V<sub>BOR3</sub>, T<sub>RSTTEMPO</sub> typical value, and I<sub>RUSH</sub>, added E<sub>RUSH</sub> and <a href="#">Note 2</a> in <a href="#">Table 19: Embedded reset and power control block characteristics</a>.</p>

Table 96. Document revision history (continued)

Date	Revision	Changes
22-Apr-2011	6 (cont'd)	<p>Updated <i>Typical and maximum current consumption</i> conditions, as well as <i>Table 21: Typical and maximum current consumption in Run mode, code with data processing running from Flash memory (ART accelerator disabled)</i> and <i>Table 20: Typical and maximum current consumption in Run mode, code with data processing running from Flash memory (ART accelerator enabled) or RAM</i>. Added <i>Figure 23, Figure 24, Figure 25, and Figure 26</i>.</p> <p>Updated <i>Table 22: Typical and maximum current consumption in Sleep mode</i>, and added <i>Figure 27 and Figure 28</i>.</p> <p>Updated <i>Table 23: Typical and maximum current consumptions in Stop mode</i>. Added <i>Figure 29: Typical current consumption vs. temperature in Stop mode</i>.</p> <p>Updated <i>Table 24: Typical and maximum current consumptions in Standby mode</i> and <i>Table 25: Typical and maximum current consumptions in V<sub>BAT</sub> mode</i>.</p> <p>Updated <i>On-chip peripheral current consumption</i> conditions and <i>Table 26: Peripheral current consumption</i>.</p> <p>Updated <math>t_{WU\text{STDBY}}</math> and <math>t_{WU\text{STOP}}</math>, and added <i>Note 3</i> in <i>Table 27: Low-power mode wakeup timings</i>.</p> <p>Maximum <math>f_{\text{HSE\_ext}}</math> and minimum <math>t_{\text{w(HSE)}}</math> values updated in <i>Table 28: High-speed external user clock characteristics</i>.</p> <p>Updated <math>C</math> and <math>g_m</math> in <i>Table 30: HSE 4-26 MHz oscillator characteristics</i>.</p> <p>Updated <math>R_F</math>, <math>l_2</math>, <math>g_m</math>, and <math>t_{\text{su(LSE)}}</math> in <i>Table 31: LSE oscillator characteristics (<math>f_{\text{LSE}} = 32.768 \text{ kHz}</math>)</i>.</p> <p>Added <i>Note 1</i> and updated <math>\text{ACC}_{\text{HSI}}</math>, <math>\text{IDD}_{\text{(HSI)}}</math> and <math>t_{\text{su(HSI)}}</math> in <i>Table 32: HSI oscillator characteristics</i>. Added <i>Figure 34: ACC<sub>HSI</sub> versus temperature</i>.</p> <p>Updated <math>f_{\text{LSI}}</math>, <math>t_{\text{su(LSI)}}</math> and <math>\text{IDD}_{\text{(LSI)}}</math> in <i>Table 33: LSI oscillator characteristics</i>. Added <i>Figure 35: ACC<sub>LSI</sub> versus temperature</i></p> <p><i>Table 34: Main PLL characteristics</i>: removed note 1, updated <math>t_{\text{LOCK}}</math>, jitter, <math>\text{IDD}_{\text{(PLL)}}</math> and <math>\text{IDD}_{\text{A(PLL)}}</math>, added <i>Note 2</i> for <math>f_{\text{PLL\_IN}}</math> minimum and maximum values.</p> <p><i>Table 35: PLLI2S (audio PLL) characteristics</i>: removed note 1, updated <math>t_{\text{LOCK}}</math>, jitter, <math>\text{IDD}_{\text{(PLLI2S)}}</math> and <math>\text{IDD}_{\text{A(PLLI2S)}}</math>, added <i>Note 2</i> for <math>f_{\text{PLLI2S\_IN}}</math> minimum and maximum values.</p> <p>Added <i>Note 1</i> in <i>Table 36: SSCG parameters constraint</i>.</p> <p>Updated <i>Table 37: Flash memory characteristics</i>. Modified <i>Table 38: Flash memory programming</i> and added <i>Note 2</i> for <math>t_{\text{prog}}</math>. Updated <math>t_{\text{prog}}</math> and added <i>Note 1</i> in <i>Table 39: Flash memory programming with V<sub>PP</sub></i>.</p> <p>Modified <i>Figure 40: Recommended NRST pin protection</i>.</p> <p>Updated <i>Table 42: EMI characteristics</i> and EMI monitoring conditions in <i>Section : Electromagnetic Interference (EMI)</i>. Added <i>Note 2</i> related to <math>V_{\text{ESD(HBM)}}</math> in <i>Table 43: ESD absolute maximum ratings</i>.</p> <p>Updated <i>Table 48: I/O AC characteristics</i>.</p> <p>Added <i>Section 6.3.15: I/O current injection characteristics</i>.</p> <p>Modified maximum frequency values and conditions in <i>Table 48: I/O AC characteristics</i>.</p> <p>Updated <math>t_{\text{res(TIM)}}</math> in <i>Table 50: Characteristics of TIMx connected to the APB1 domain</i>. Modified <math>t_{\text{res(TIM)}}</math> and <math>f_{\text{EXT}}</math> <i>Table 51: Characteristics of TIMx connected to the APB2 domain</i>.</p>

**Table 96. Document revision history (continued)**

Date	Revision	Changes
22-Apr-2011	6 (cont'd)	<p>Changed <math>t_{w(SCKH)}</math> to <math>t_{w(SCLH)}</math>; <math>t_{w(SCKL)}</math> to <math>t_{w(SCLL)}</math>; <math>t_{r(SCK)}</math> to <math>t_{r(SCL)}</math>; and <math>t_{f(SCK)}</math> to <math>t_{f(SCL)}</math> in <a href="#">Table 52: I<sup>2</sup>C characteristics</a> and in <a href="#">Figure 41: I<sup>2</sup>C bus AC waveforms and measurement circuit</a>.</p> <p>Added <a href="#">Table 57: USB OTG FS DC electrical characteristics</a> and updated <a href="#">Table 58: USB OTG FS electrical characteristics</a>.</p> <p>Updated <math>V_{DD}</math> minimum value in <a href="#">Table 62: Ethernet DC electrical characteristics</a>.</p> <p>Updated <a href="#">Table 66: ADC characteristics</a> and <math>R_{AIN}</math> equation.</p> <p>Updated <math>R_{AIN}</math> equation. Updated <a href="#">Table 68: DAC characteristics</a>.</p> <p>Updated <math>t_{START}</math> in <a href="#">Table 69: Temperature sensor characteristics</a>.</p> <p>Updated R typical value in <a href="#">Table 70: V<sub>BAT</sub> monitoring characteristics</a>.</p> <p>Updated <a href="#">Table 71: Embedded internal reference voltage</a>.</p> <p>Modified FSMC_NOE waveform in <a href="#">Figure 57: Asynchronous non-multiplexed SRAM/PSRAM/NOR read waveforms</a>. Shifted end of FSMC_NEx/NADV/addresses/NWE/NOE/NWAIT of a half FSMC_CLK period, changed <math>t_{d(CLKH-NExH)}</math> to <math>t_{d(CLKL-NExH)}</math>; <math>t_{d(CLKH-AIV)}</math> to <math>t_{d(CLKL-AIV)}</math>; <math>t_{d(CLKH-NOEH)}</math> to <math>t_{d(CLKL-NOEH)}</math>; and updated data latency from 1 to 0 in <a href="#">Figure 61: Synchronous multiplexed NOR/PSRAM read timings</a>, <a href="#">Figure 62: Synchronous multiplexed PSRAM write timings</a>, <a href="#">Figure 63: Synchronous non-multiplexed NOR/PSRAM read timings</a>, and <a href="#">Figure 64: Synchronous non-multiplexed PSRAM write timings</a>,</p> <p>Changed <math>t_{d(CLKH-NExH)}</math> to <math>t_{d(CLKL-NExH)}</math>; <math>t_{d(CLKH-AIV)}</math> to <math>t_{d(CLKL-AIV)}</math>; <math>t_{d(CLKH-NOEH)}</math> to <math>t_{d(CLKL-NOEH)}</math>; <math>t_{d(CLKH-NWEH)}</math> to <math>t_{d(CLKL-NWEH)}</math>; and modified <math>t_{w(CLK)}</math> minimum value in <a href="#">Table 76</a>, <a href="#">Table 77</a>, <a href="#">Table 78</a>, and <a href="#">Table 79</a>.</p> <p>Updated note 2 in <a href="#">Table 72</a>, <a href="#">Table 73</a>, <a href="#">Table 74</a>, <a href="#">Table 75</a>, <a href="#">Table 76</a>, <a href="#">Table 77</a>, <a href="#">Table 78</a>, and <a href="#">Table 79</a>.</p> <p>Modified <math>t_{h(NIOWR-D)}</math> in <a href="#">Figure 70: PC Card/CompactFlash controller waveforms for I/O space write access</a>.</p> <p>Modified FSMC_NCEX signal in <a href="#">Figure 71: NAND controller waveforms for read access</a>, <a href="#">Figure 72: NAND controller waveforms for write access</a>, <a href="#">Figure 73: NAND controller waveforms for common memory read access</a>, and <a href="#">Figure 74: NAND controller waveforms for common memory write access</a></p> <p>Specified Full speed (FS) mode for <a href="#">Figure 89: USB OTG HS peripheral-only connection in FS mode</a> and <a href="#">Figure 90: USB OTG HS host-only connection in FS mode</a>.</p>

Table 96. Document revision history (continued)

Date	Revision	Changes
14-Jun-2011	7	<p>Added SDIO in <a href="#">Table 2: STM32F205xx features and peripheral counts</a>.</p> <p>Updated <math>V_{IN}</math> for 5V tolerant pins in <a href="#">Table 11: Voltage characteristics</a>.</p> <p>Updated jitter parameters description in <a href="#">Table 34: Main PLL characteristics</a>.</p> <p>Remove jitter values for system clock in <a href="#">Table 35: PLLI2S (audio PLL) characteristics</a>.</p> <p>Updated <a href="#">Table 42: EMI characteristics</a>.</p> <p>Update <a href="#">Note 2</a> in <a href="#">Table 52: I<sup>2</sup>C characteristics</a>.</p> <p>Updated Avg_Slope typical value and <math>T_{S\_temp}</math> minimum value in <a href="#">Table 69: Temperature sensor characteristics</a>.</p> <p>Updated <math>T_{S\_vbat}</math> minimum value in <a href="#">Table 70: V<sub>BAT</sub> monitoring characteristics</a>.</p> <p>Updated <math>T_{S\_vrefint}</math> minimum value in <a href="#">Table 71: Embedded internal reference voltage</a>.</p> <p>Added Software option in <a href="#">Section 8: Ordering information</a>.</p> <p>In <a href="#">Table 101: Main applications versus package for STM32F2xxx microcontrollers</a>, renamed USB1 and USB2, USB OTG FS and USB OTG HS, respectively; and removed USB OTG FS and camera interface for 64-pin package; added USB OTG HS on 64-pin package; added <a href="#">Note 1</a> and <a href="#">Note 2</a>.</p>
20-Dec-2011	8	<p>Updated SDIO register addresses in <a href="#">Figure 16: Memory map</a>.</p> <p>Updated <a href="#">Figure 3: Compatible board design between STM32F10x and STM32F2xx for LQFP144 package</a>, <a href="#">Figure 2: Compatible board design between STM32F10x and STM32F2xx for LQFP100 package</a>, <a href="#">Figure 1: Compatible board design between STM32F10x and STM32F2xx for LQFP64 package</a>, and added <a href="#">Figure 4: Compatible board design between STM32F10xx and STM32F2xx for LQFP176 package</a>.</p> <p>Updated <a href="#">Section 3.3: Memory protection unit</a>.</p> <p>Updated <a href="#">Section 3.6: Embedded SRAM</a>.</p> <p>Updated <a href="#">Section 3.28: Universal serial bus on-the-go full-speed (OTG_FS)</a> to remove external FS OTG PHY support.</p> <p>In <a href="#">Table 8: STM32F20x pin and ball definitions</a>: changed SPI2_MCK and SPI3_MCK to I2S2_MCK and I2S3_MCK, respectively. Added ETH_RMII_TX_EN alternate function to PG11. Added EVENTOUT in the list of alternate functions for I/O pin/balls. Removed OTG_FS_SDA, OTG_FS_SCL and OTG_FS_INTN alternate functions.</p> <p>In <a href="#">Table 10: Alternate function mapping</a>: changed I2S3_SCK to I2S3_MCK for PC7/AF6, added FSMC_NCE3 for PG9, FSMC_NE3 for PG10, and FSMC_NCE2 for PD7. Removed OTG_FS_SDA, OTG_FS_SCL and OTG_FS_INTN alternate functions. Changed I2S3_SCK into I2S3_MCK for PC7/AF6. Updated peripherals corresponding to AF12.</p> <p>Removed CEXT and ESR from <a href="#">Table 14: General operating conditions</a>.</p> <p>Added maximum power consumption at <math>T_A=25\text{ °C}</math> in <a href="#">Table 23: Typical and maximum current consumptions in Stop mode</a>.</p> <p>Updated md minimum value in <a href="#">Table 36: SSCG parameters constraint</a>.</p> <p>Added examples in <a href="#">Section 6.3.11: PLL spread spectrum clock generation (SSCG) characteristics</a>.</p>



Table 96. Document revision history (continued)

Date	Revision	Changes
20-Dec-2011	8 (cont'd)	<p>Updated <a href="#">Table 54: SPI characteristics</a> and <a href="#">Table 55: I<sup>2</sup>S characteristics</a>.  Updated <a href="#">Figure 48: ULPI timing diagram</a> and <a href="#">Table 61: ULPI timing</a>.  Updated <a href="#">Table 63: Dynamics characteristics: Ethernet MAC signals for SMI</a>, <a href="#">Table 64: Dynamics characteristics: Ethernet MAC signals for RMII</a>, and <a href="#">Table 65: Dynamics characteristics: Ethernet MAC signals for MII</a>.  <a href="#">Section 6.3.25: FSMC characteristics</a>: updated <a href="#">Table 72 to Table 83</a>, changed C<sub>L</sub> value to 30 pF, and modified FSMC configuration for asynchronous timings and waveforms. Updated <a href="#">Figure 62: Synchronous multiplexed PSRAM write timings</a>.  Updated <a href="#">Table 84: DCMI characteristics</a>.  Updated <a href="#">Table 92: UFBGA176+25 - ultra thin fine pitch ball grid array 10 × 10 × 0.6 mm mechanical data</a>.  Appendix <a href="#">A.2: USB OTG full speed (FS) interface solutions</a>: updated <a href="#">Figure 87: USB OTG FS (full speed) host-only connection</a> and added <a href="#">Note 2</a>, updated <a href="#">Figure 88: OTG FS (full speed) connection dual-role with internal PHY</a> and added <a href="#">Note 3</a> and <a href="#">Note 4</a>, modified <a href="#">Figure 89: OTG HS (high speed) device connection, host and dual-role in high-speed mode with external PHY</a> and added <a href="#">Note 2</a>.  Appendix <a href="#">A.3: USB OTG high speed (HS) interface solutions</a>: removed figures <a href="#">USB OTG HS device-only connection in FS mode</a> and <a href="#">USB OTG HS host-only connection in FS mode</a>, updated <a href="#">Figure 89: OTG HS (high speed) device connection, host and dual-role in high-speed mode with external PHY</a>.  Added Appendix <a href="#">A.4: Ethernet interface solutions</a>.  Updated disclaimer on last page.</p>
24-Apr-2012	9	<p>Updated V<sub>DD</sub> minimum value in <a href="#">Section 2: Description</a>.  Updated number of USB OTG HS and FS, modified packages for STM32F207Ix part numbers, added <a href="#">Note 1</a> related to FSMC and <a href="#">Note 2</a> related to SPI/I2S, and updated <a href="#">Note 3</a> in <a href="#">Table 2: STM32F205xx features and peripheral counts</a> and <a href="#">Table 3: STM32F207xx features and peripheral counts</a>.  Added <a href="#">Note 2</a> and update TIM5 in <a href="#">Figure 4: STM32F20x block diagram</a>.  Updated maximum number of maskable interrupts in <a href="#">Section 3.10: Nested vectored interrupt controller (NVIC)</a>.  Updated V<sub>DD</sub> minimum value in <a href="#">Section 3.14: Power supply schemes</a>.  Updated <a href="#">Note a</a> in <a href="#">Section 3.16.1: Regulator ON</a>.  Removed STM32F205xx in <a href="#">Section 3.28: Universal serial bus on-the-go full-speed (OTG_FS)</a>.  Removed support of I2C for OTG PHY in <a href="#">Section 3.29: Universal serial bus on-the-go high-speed (OTG_HS)</a>.  Removed OTG_HS_SCL, OTG_HS_SDA, OTG_FS_INTN in <a href="#">Table 8: STM32F20x pin and ball definitions</a> and <a href="#">Table 10: Alternate function mapping</a>.  Renamed PH10 alternate function into TIM5_CH1 in <a href="#">Table 10: Alternate function mapping</a>.  Added <a href="#">Table 9: FSMC pin definition</a>.</p>

Table 96. Document revision history (continued)

Date	Revision	Changes
24-Apr-2012	9 (cont'd)	<p>Updated <i>Note 1</i> in <i>Table 14: General operating conditions</i>, <i>Note 2</i> in <i>Table 15: Limitations depending on the operating power supply range</i>, and <i>Note 1</i> below <i>Figure 21: Number of wait states versus <math>f_{CPU}</math> and <math>V_{DD}</math> range</i>.</p> <p>Updated <math>V_{POR/PDR}</math> in <i>Table 19: Embedded reset and power control block characteristics</i>.</p> <p>Updated typical values in <i>Table 24: Typical and maximum current consumptions in Standby mode</i> and <i>Table 25: Typical and maximum current consumptions in <math>V_{BAT}</math> mode</i>.</p> <p>Updated <i>Table 30: HSE 4-26 MHz oscillator characteristics</i> and <i>Table 31: LSE oscillator characteristics (<math>f_{LSE} = 32.768</math> kHz)</i>.</p> <p>Updated <i>Table 37: Flash memory characteristics</i>, <i>Table 38: Flash memory programming</i>, and <i>Table 39: Flash memory programming with <math>V_{PP}</math></i>.</p> <p>Updated <i>Section : Output driving current</i>.</p> <p>Updated <i>Note 3</i> and removed note related to minimum hold time value in <i>Table 52: <math>I^2C</math> characteristics</i>.</p> <p>Updated <i>Table 64: Dynamics characteristics: Ethernet MAC signals for RMII</i>.</p> <p>Updated <i>Note 1</i>, <math>C_{ADC}</math>, <math>I_{VREF+}</math>, and <math>I_{VDDA}</math> in <i>Table 66: ADC characteristics</i>.</p> <p>Updated <i>Note 3</i> and note concerning ADC accuracy vs. negative injection current in <i>Table 67: ADC accuracy</i>.</p> <p>Updated <i>Note 1</i> in <i>Table 68: DAC characteristics</i>.</p> <p>Updated <i>Section Figure 88.: UFBGA176+25 - ultra thin fine pitch ball grid array <math>10 \times 10 \times 0.6</math> mm, package outline</i>.</p> <p><i>Appendix A.1: Main applications versus package</i>: removed number of address lines for FSMC/NAND in <i>Table 101: Main applications versus package for STM32F2xxx microcontrollers</i>.</p> <p><i>Appendix A.4: Ethernet interface solutions</i>: updated <i>Figure 92: Complete audio player solution 1</i> and <i>Figure 93: Complete audio player solution 2</i>.</p>
29-Oct-2012	10	<p>Changed minimum supply voltage from 1.65 to 1.8 V.</p> <p>Updated number of AHB buses in <i>Section 2: Description</i> and <i>Section 3.12: Clocks and startup</i>.</p> <p>Removed <i>Figure 4. Compatible board design between STM32F10xx and STM32F2xx for LQFP176 package</i>.</p> <p>Updated <i>Note 2</i> below <i>Figure 4: STM32F20x block diagram</i>.</p> <p>Changed System memory to System memory + OTP in <i>Figure 16: Memory map</i>.</p> <p>Added <i>Note 1</i> below <i>Table 16: VCAP1/VCAP2 operating conditions</i>.</p> <p>Updated <math>V_{DDA}</math> and <math>V_{REF+}</math> decoupling capacitor in <i>Figure 19: Power supply scheme</i> and updated <i>Note 3</i>.</p> <p>Changed simplex mode into half-duplex mode in <i>Section 3.24: Inter-integrated sound (<math>I^2S</math>)</i>.</p> <p>Replaced DAC1_OUT and DAC2_OUT by DAC_OUT1 and DAC_OUT2, respectively. Changed TIM2_CH1/TIM2_ETR into TIM2_CH1_ETR for PA0 and PA5 in <i>Table 10: Alternate function mapping</i>.</p>



**Table 96. Document revision history (continued)**

Date	Revision	Changes
29-Oct-2012	10 (cont'd)	<p>Updated note applying to <math>I_{DD}</math> (external clock and all peripheral disabled) in <a href="#">Table 21: Typical and maximum current consumption in Run mode, code with data processing running from Flash memory (ART accelerator disabled)</a>. Updated <a href="#">Note 3</a> below <a href="#">Table 22: Typical and maximum current consumption in Sleep mode</a>.</p> <p>Removed <math>f_{HSE\_ext}</math> typical value in <a href="#">Table 28: High-speed external user clock characteristics</a>.</p> <p>Updated master I2S clock jitter conditions and values in <a href="#">Table 35: PLLI2S (audio PLL) characteristics</a>.</p> <p>Updated equations in <a href="#">Section 6.3.11: PLL spread spectrum clock generation (SSCG) characteristics</a>.</p> <p>Swapped TTL and CMOS port conditions for <math>V_{OL}</math> and <math>V_{OH}</math> in <a href="#">Table 47: Output voltage characteristics</a>.</p> <p>Updated <math>V_{IL(NRST)}</math> and <math>V_{IH(NRST)}</math> in <a href="#">Table 49: NRST pin characteristics</a>.</p> <p>Updated <a href="#">Table 54: SPI characteristics</a> and <a href="#">Table 55: I<sup>2</sup>S characteristics</a>.</p> <p>Removed note 1 related to measurement points below <a href="#">Figure 43: SPI timing diagram - Slave mode and CPHA = 1</a>, <a href="#">Figure 44: SPI timing diagram - Master mode</a>, and <a href="#">Figure 45: I<sup>2</sup>S slave timing diagram (Philips protocol)<sup>(1)</sup></a>.</p> <p>Updated <math>t_{HC}</math> in <a href="#">Table 61: ULPI timing</a>.</p> <p>Updated <a href="#">Figure 49: Ethernet SMI timing diagram</a>, <a href="#">Table 63: Dynamics characteristics: Ethernet MAC signals for SMI</a> and <a href="#">Table 65: Dynamics characteristics: Ethernet MAC signals for MII</a>.</p> <p>Update <math>f_{TRIG}</math> in <a href="#">Table 66: ADC characteristics</a>.</p> <p>Updated <math>I_{DDA}</math> description in <a href="#">Table 68: DAC characteristics</a>.</p> <p>Updated note below <a href="#">Figure 54: Power supply and reference decoupling (<math>V_{REF+}</math> not connected to <math>V_{DDA}</math>)</a> and <a href="#">Figure 55: Power supply and reference decoupling (<math>V_{REF+}</math> connected to <math>V_{DDA}</math>)</a>.</p> <p>Replaced <math>t_{d(CLKL-NOEL)}</math> by <math>t_{d(CLKH-NOEL)}</math> in <a href="#">Table 76: Synchronous multiplexed NOR/PSRAM read timings</a>, <a href="#">Table 78: Synchronous non-multiplexed NOR/PSRAM read timings</a>, <a href="#">Figure 61: Synchronous multiplexed NOR/PSRAM read timings</a> and <a href="#">Figure 63: Synchronous non-multiplexed NOR/PSRAM read timings</a>.</p> <p>Added <a href="#">Figure 87: LQFP176 recommended footprint</a>.</p> <p>Added <a href="#">Note 2</a> below <a href="#">Figure 86: Regulator OFF/internal reset ON</a>.</p> <p>Updated device subfamily in <a href="#">Table : .</a></p> <p>Remove reference to note 2 for USB IOTG FS in <a href="#">Table 101: Main applications versus package for STM32F2xxx microcontrollers</a>.</p>
04-Nov-2013	11	<p>In the whole document, updated notes related to WLCSP64+2 usage with IRROFF set to <math>V_{DD}</math>. Updated <a href="#">Section 3.14: Power supply schemes</a>, <a href="#">Section 3.15: Power supply supervisor</a>, <a href="#">Section 3.16.1: Regulator ON</a> and <a href="#">Section 3.16.2: Regulator OFF</a>. Added <a href="#">Section 3.16.3: Regulator ON/OFF and internal reset ON/OFF availability</a>. Added note related to WLCSP64+2 package.</p> <p>Restructured RTC features and added reference clock detection in <a href="#">Section 3.17: Real-time clock (RTC), backup SRAM and backup registers</a>.</p> <p>Added <math>V_{IN}</math> in <a href="#">Table 14: General operating conditions</a>.</p>

Table 96. Document revision history (continued)

Date	Revision	Changes
04-Nov-2013	11 (cont'd)	<p>Added note indicating the package view below <a href="#">Figure 10: STM32F20x LQFP64 pinout</a>, <a href="#">Figure 12: STM32F20x LQFP100 pinout</a>, <a href="#">Figure 13: STM32F20x LQFP144 pinout</a>, and <a href="#">Figure 14: STM32F20x LQFP176 pinout</a>.</p> <p>Added <a href="#">Table 7: Legend/abbreviations used in the pinout table</a>. <a href="#">Table 8: STM32F20x pin and ball definitions</a>: content reformatted; removed indexes on V<sub>SS</sub> and V<sub>DD</sub>; updated PA4, PA5, PA6, PC4, BOOT0; replaced DCMI_12 by DCMI_D12, TIM8_CHIN by TIM8_CH1N, ETH_MII_RX_D0 by ETH_MII_RXD0, ETH_MII_RX_D1 by ETH_MII_RXD1, ETH_RMII_RX_D0 by ETH_RMII_RXD0, ETH_RMII_RX_D1 by ETH_RMII_RXD1, and RMII_CRS_DV by ETH_RMII_CRS_DV.</p> <p><a href="#">Table 10: Alternate function mapping</a>: replaced FSMC_BLN1 by FSMC_NBL1, added EVENTOUT as AF15 alternated function for PC13, PC14, PC15, PH0, PH1, and PI8.</p> <p>Updated <a href="#">Figure 17: Pin loading conditions</a> and <a href="#">Figure 18: Pin input voltage</a>.</p> <p>Removed note applying to V<sub>POR/PDR</sub> minimum value in <a href="#">Table 19: Embedded reset and power control block characteristics</a>.</p> <p>Updated notes related to C<sub>L1</sub> and C<sub>L2</sub> in <a href="#">Section : Low-speed external clock generated from a crystal/ceramic resonator</a>.</p> <p>Updated conditions in <a href="#">Table 41: EMS characteristics</a>. Updated <a href="#">Table 42: EMI characteristics</a>. Updated V<sub>IL</sub>, V<sub>IH</sub> and V<sub>Hys</sub> in <a href="#">Table 46: I/O static characteristics</a>. Added <a href="#">Section : Output driving current</a> and updated <a href="#">Figure 39: I/O AC characteristics definition</a>.</p> <p>Updated V<sub>IL(NRST)</sub> and V<sub>IH(NRST)</sub> in <a href="#">Table 49: NRST pin characteristics</a>, updated <a href="#">Figure 39: I/O AC characteristics definition</a>.</p> <p>Removed tests conditions in <a href="#">Section : I2C interface characteristics</a>.</p> <p>Updated <a href="#">Table 52: I<sup>2</sup>C characteristics</a> and <a href="#">Figure 41: I<sup>2</sup>C bus AC waveforms and measurement circuit</a>.</p> <p>Updated I<sub>VREF+</sub> and I<sub>VDDA</sub> in <a href="#">Table 66: ADC characteristics</a>. Updated Offset comments in <a href="#">Table 68: DAC characteristics</a>.</p> <p>Updated minimum t<sub>h(CLKH-DV)</sub> value in <a href="#">Table 78: Synchronous non-multiplexed NOR/PSRAM read timings</a>. Removed Appendix A Application block diagrams.</p> <p>Updated <a href="#">Figure 77: LQFP64 – 10 x 10 mm 64 pin low-profile quad flat package outline</a> and <a href="#">Table 87: LQFP64 – 10 x 10 mm 64 pin low-profile quad flat package mechanical data</a>. Updated <a href="#">Figure 80: LQFP100, 14 x 14 mm 100-pin low-profile quad flat package outline</a>, <a href="#">Figure 83: LQFP144, 20 x 20 mm, 144-pin low-profile quad flat package outline</a>, <a href="#">Figure 86: LQFP176 - Low profile quad flat package 24 x 24 x 1.4 mm, package outline</a>. Updated <a href="#">Figure 88: UFBGA176+25 - ultra thin fine pitch ball grid array 10 x 10 x 0.6 mm, package outline</a> and <a href="#">Figure 88: UFBGA176+25 - ultra thin fine pitch ball grid array 10 x 10 x 0.6 mm, package outline</a>.</p>

Table 96. Document revision history (continued)

Date	Revision	Changes
27-Oct-2014	12	<p>Updated <math>V_{BAT}</math> voltage range in <a href="#">Figure 19: Power supply scheme</a>. Added caution note in <a href="#">Section 6.1.6: Power supply scheme</a>.</p> <p>Updated <math>V_{IN}</math> in <a href="#">Table 14: General operating conditions</a>.</p> <p>Removed note 1 in <a href="#">Table 23: Typical and maximum current consumptions in Stop mode</a>.</p> <p>Updated <a href="#">Table 45: I/O current injection susceptibility</a>, <a href="#">Section 6.3.16: I/O port characteristics</a> and <a href="#">Section 6.3.17: NRST pin characteristics</a>.</p> <p>Removed note 3 in <a href="#">Table 69: Temperature sensor characteristics</a>.</p> <p>Updated <a href="#">Figure 79: WLCSP64+2 - 0.400 mm pitch wafer level chip size package outline</a> and <a href="#">Table 88: WLCSP64+2 - 0.400 mm pitch wafer level chip size package mechanical data</a>. Added <a href="#">Figure 84: LQFP100 marking (package top view)</a> and <a href="#">Figure 87: LQFP144 marking (package top view)</a>.</p>
2-Feb-2016	13	<p>Updated <a href="#">Section 1: Introduction</a>.</p> <p>Updated <a href="#">Table 32: HSI oscillator characteristics</a> and its footnotes.</p> <p>Updated <a href="#">Figure 36: PLL output clock waveforms in center spread mode</a>, <a href="#">Figure 37: PLL output clock waveforms in down spread mode</a>, <a href="#">Figure 54: Power supply and reference decoupling (<math>V_{REF+}</math> not connected to <math>V_{DDA}</math>)</a> and <a href="#">Figure 55: Power supply and reference decoupling (<math>V_{REF+}</math> connected to <math>V_{DDA}</math>)</a>.</p> <p>Updated <a href="#">Section 7: Package information</a> and its subsections.</p>
24-Jun-2016	14	<p>Updated figures 1, 2 and 3 in <a href="#">Section 2.1: Full compatibility throughout the family</a>.</p> <p>Updated <a href="#">Device marking</a> and <a href="#">Figure 84</a> in <a href="#">Section 7.3: LQFP100 package information</a>.</p> <p>Updated <a href="#">Device marking</a> and <a href="#">Figure 87</a> in <a href="#">Section 7.4: LQFP144 package information</a>.</p> <p>Updated <a href="#">Section 7.6: UFBGA176+25 package information</a> with introduction of <a href="#">Device marking</a> and <a href="#">Figure 92</a>.</p> <p>Updated <a href="#">Table 96: Ordering information scheme</a>.</p>
11-Aug-2016	15	<p>Updated <a href="#">Features</a>, <a href="#">Section 7.2: WLCSP64+2 package information</a> and title of <a href="#">Section 8: Ordering information</a>.</p> <p>Updated <a href="#">Figure 54: Power supply and reference decoupling (<math>V_{REF+}</math> not connected to <math>V_{DDA}</math>)</a>.</p>
29-Mar-2019	16	<p>Updated <a href="#">Section 1: Introduction</a> and <a href="#">Section 2: Description</a>.</p> <p>Updated <a href="#">Table 72: Asynchronous non-multiplexed SRAM/PSRAM/NOR read timings</a>.</p> <p>Updated <a href="#">Figure 38: FT I/O input characteristics</a>.</p> <p>Updated paragraph introducing all package marking schematics to add the new sentence "The printed markings may differ depending on the supply chain".</p> <p>Minor text edits across the whole document.</p>
26-Nov-2019	17	<p>Updated caption of figures and tables in <a href="#">Section 7: Package information</a>.</p>

Table 96. Document revision history (continued)

Date	Revision	Changes
02-Jul-2020	18	<p>Updated <a href="#">Section 3.29: Universal serial bus on-the-go high-speed (OTG_HS)</a>.</p> <p>Updated <a href="#">Table 19: Embedded reset and power control block characteristics</a>, <a href="#">Table 48: I/O AC characteristics</a> and <a href="#">Table 80: Switching characteristics for PC Card/CF read and write cycles in attribute/common space</a>.</p> <p>Added footnote <a href="#">2</a> to <a href="#">Table 8: STM32F20x pin and ball definitions</a> and updated footnote <a href="#">1</a> of <a href="#">Table 32: HSI oscillator characteristics</a>.</p> <p>Added <a href="#">Device marking</a>.</p> <p>Minor text edits across the whole document.</p>

**IMPORTANT NOTICE – PLEASE READ CAREFULLY**

STMicroelectronics NV and its subsidiaries (“ST”) reserve the right to make changes, corrections, enhancements, modifications, and improvements to ST products and/or to this document at any time without notice. Purchasers should obtain the latest relevant information on ST products before placing orders. ST products are sold pursuant to ST’s terms and conditions of sale in place at the time of order acknowledgement.

Purchasers are solely responsible for the choice, selection, and use of ST products and ST assumes no liability for application assistance or the design of Purchasers’ products.

No license, express or implied, to any intellectual property right is granted by ST herein.

Resale of ST products with provisions different from the information set forth herein shall void any warranty granted by ST for such product.

ST and the ST logo are trademarks of ST. For additional information about ST trademarks, please refer to [www.st.com/trademarks](http://www.st.com/trademarks). All other product or service names are the property of their respective owners.

Information in this document supersedes and replaces information previously supplied in any prior versions of this document.

© 2020 STMicroelectronics – All rights reserved



Компания «ЭлектроПласт» предлагает заключение долгосрочных отношений при поставках импортных электронных компонентов на взаимовыгодных условиях!

Наши преимущества:

- Оперативные поставки широкого спектра электронных компонентов отечественного и импортного производства напрямую от производителей и с крупнейших мировых складов;
- Поставка более 17-ти миллионов наименований электронных компонентов;
- Поставка сложных, дефицитных, либо снятых с производства позиций;
- Оперативные сроки поставки под заказ (от 5 рабочих дней);
- Экспресс доставка в любую точку России;
- Техническая поддержка проекта, помощь в подборе аналогов, поставка прототипов;
- Система менеджмента качества сертифицирована по Международному стандарту ISO 9001;
- Лицензия ФСБ на осуществление работ с использованием сведений, составляющих государственную тайну;
- Поставка специализированных компонентов (Xilinx, Altera, Analog Devices, Intersil, Interpoint, Microsemi, Aeroflex, Peregrine, Syfer, Eurofarad, Texas Instrument, Miteq, Cobham, E2V, MA-COM, Hittite, Mini-Circuits, General Dynamics и др.);

Помимо этого, одним из направлений компании «ЭлектроПласт» является направление «Источники питания». Мы предлагаем Вам помощь Конструкторского отдела:

- Подбор оптимального решения, техническое обоснование при выборе компонента;
- Подбор аналогов;
- Консультации по применению компонента;
- Поставка образцов и прототипов;
- Техническая поддержка проекта;
- Защита от снятия компонента с производства.



#### Как с нами связаться

**Телефон:** 8 (812) 309 58 32 (многоканальный)

**Факс:** 8 (812) 320-02-42

**Электронная почта:** [org@eplast1.ru](mailto:org@eplast1.ru)

**Адрес:** 198099, г. Санкт-Петербург, ул. Калинина, дом 2, корпус 4, литера А.