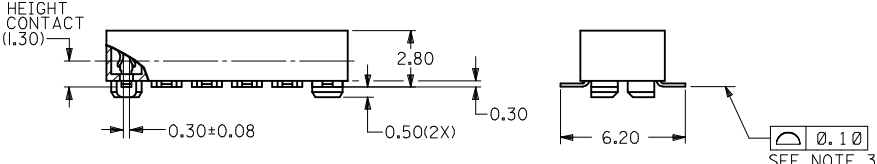


| CKT. SIZE | DIM. A | DIM. B |
|-----------|--------|--------|
| 4 | 2.00 | 4.00 |
| 6 | 4.00 | 6.00 |
| 8 | 6.00 | 8.00 |
| 10 | 8.00 | 10.00 |
| 12 | 10.00 | 12.00 |
| 14 | 12.00 | 14.00 |
| 16 | 14.00 | 16.00 |
| 18 | 16.00 | 18.00 |
| 20 | 18.00 | 20.00 |
| 22 | 20.00 | 22.00 |
| 24 | 22.00 | 24.00 |
| 26 | 24.00 | 26.00 |
| 28 | 26.00 | 28.00 |
| 30 | 28.00 | 30.00 |
| 32 | 30.00 | 32.00 |
| 34 | 32.00 | 34.00 |
| 36 | 34.00 | 36.00 |
| 38 | 36.00 | 38.00 |
| 40 | 38.00 | 40.00 |
| 42 | 40.00 | 42.00 |
| 44 | 42.00 | 44.00 |



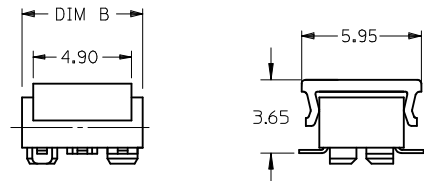
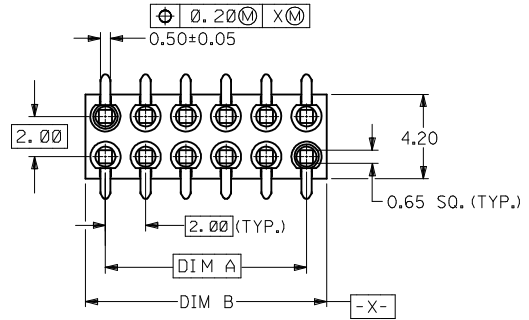
PART NO. LEGEND

87263 - * * * *

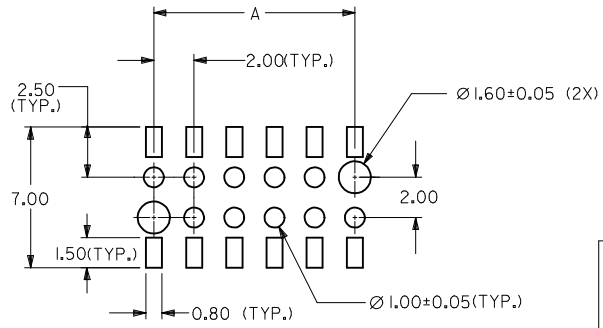
CIRCUIT SIZE

PLATING OPTION
 3 - 0.38um MIN. GOLD
 5 - 0.76um MIN. GOLD
 6 - (0.13-0.38)um GOLD FLASH

PACKAGING
 0 - W/CAP IN TUBE (SEE SHEET 2)
 2 - W/O CAP IN TUBE (SEE SHEET 2)
 8 - W/O CAP IN TAPE & REEL (SEE SHEET 3)
 9 - W/CAP IN TAPE & REEL (SEE SHEET 3)



PARTS TO BE PACK WITH CAP (12 CKT SHOWN)

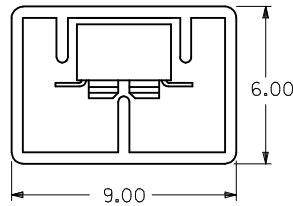
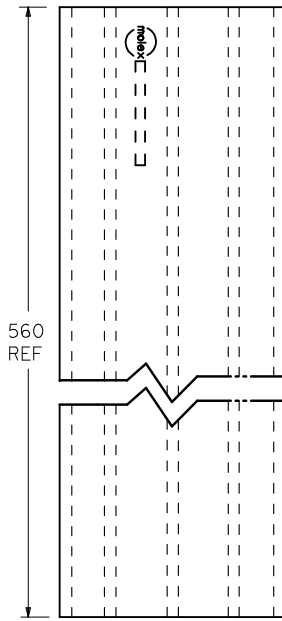


RECOMMENDED SOLDER PAD DESIGN

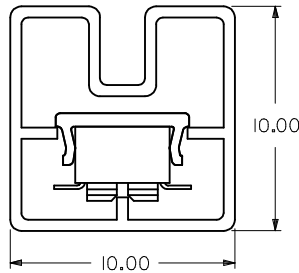
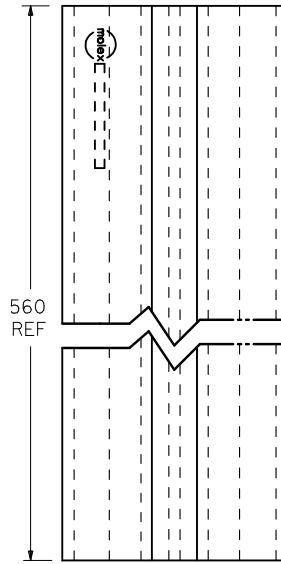
NOTES:

- FOR ILLUSTRATION PURPOSES, DRAWING SHOWS PART WITH 12 CIRCUIT SIZE.
- PLATING
 POST-PLATING - SELECTIVE GOLD (SEE LEGEND) AT CONTACT AREA, AND 1.27um MIN. SELECTIVE TIN AT SOLDER AREA BOTH OVER 1.27um MIN. NICKEL OVERALL.
- CO-PLANARITY OF P.C TAIL TO BE MEASURED BY RESTING THE PART ON A FLAT GAGE SURFACE.
- PRODUCT SPECIFICATION PS-87263 APPLIES.
- CAP : HIGH TEMPERATURE THERMOPLASTIC, UL RATED 94V-0, SUITABLE FOR SURFACE-MOUNT SOLDERING PROCESS. COLOR BLACK
- POSITION OF CAP TO BE CENTRAL WITH RESPECT TO DIMENSION "A"
- CONTACT FACTORY FOR DETAILS ON THIS PART NO.
- PARTS SHALL BE PACKED IN MOISTURE BARRIER BAG.
- P/N: 87263-3686 TO BE PACKED IN EMBOSSED TAPE TYPE B1.

| | | | | | | | | | | | | | |
|--|--------------------|-----------------|--|--|--|-----------------|------|---|--------------|------------------------|--|--|--|
| SEE SHEET 3 EC NO: S2015-0829 DRWN:CGOH CHKD:ATSEE APPR:KLL IM 2015/04/16 2015/04/17 2015/04/17 | REV DESCRIPTION | QUALITY SYMBOLS | | GENERAL TOLERANCES (UNLESS SPECIFIED) | | DIMENSION STYLE | | SCALE | DESIGN UNITS | THIRD ANGLE PROJECTION | | | |
| | | | | | | MM ONLY | | NTS | METRIC | | | | |
| | | | | | | mm | INCH | DRAWN BY | | DATE | | TITLE | |
| | | | | | | | | JDK | | 1991/01/11 | | MGRID, B/ENTRY RECEPT. 2.80MM HT. W/LOC. PEGS W/CAP, SMT | |
| | | | | | | CHECKED BY | | DATE | | molex | | | |
| | | | | | | MLA I | | 1991/01/11 | | | | | |
| | | | | | | APPROVED BY | | DATE | | DOCUMENT NO. | | | |
| | | | | | | MLONG | | 2010/03/19 | | SD-87263-**2* | | | |
| | | | | ANGULAR ± 3 ° | | MATERIAL NO. | | DOCUMENT NO. | | SHEET NO. | | | |
| | | | | DRAFT WHERE APPLICABLE MUST REMAIN WITHIN DIMENSIONS | | SEE TABLE | | | | 1 OF 4 | | | |
| | | | | | | SIZE | | THIS DRAWING CONTAINS INFORMATION THAT IS PROPRIETARY TO MOLEX INCORPORATED AND SHOULD NOT BE USED WITHOUT WRITTEN PERMISSION | | | | | |
| | | | | | | A3 | | | | | | | |



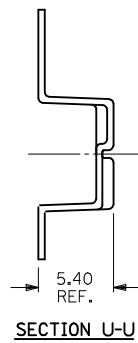
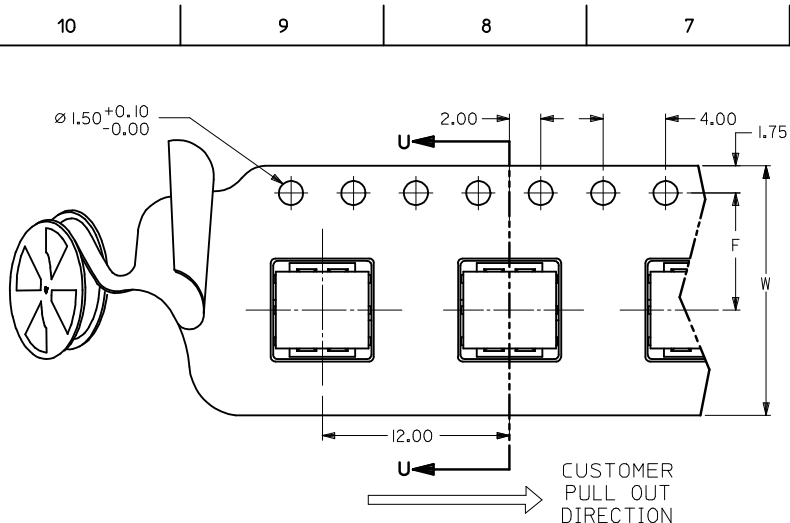
P/N 87263-***2*



P/N 87263-***0*

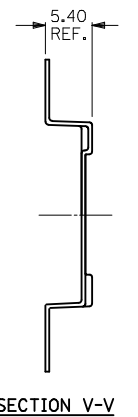
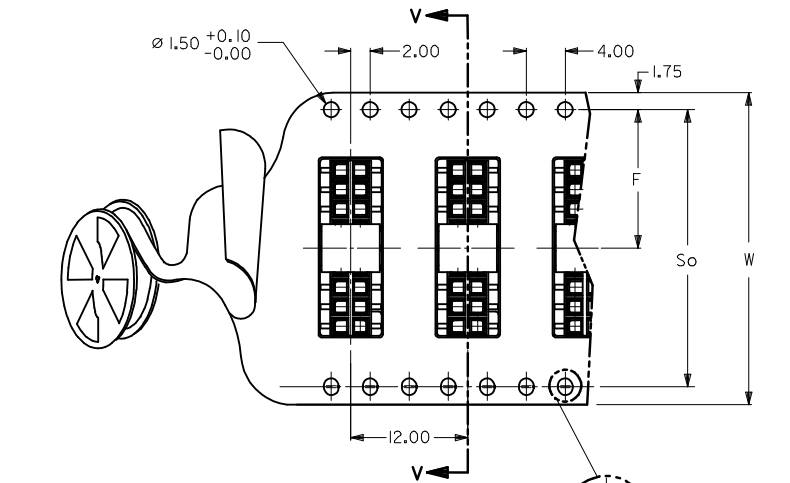
| CKT. SIZE | PART NO. FOR PARTS WITHOUT CAP | △ PART NO. FOR PARTS WITH CAP |
|-----------|--------------------------------|-------------------------------|
| 4 | 87263-042* | 87263-040* |
| 6 | 87263-062* | 87263-060* |
| 8 | 87263-082* | 87263-080* |
| 10 | 87263-102* | 87263-100* |
| 12 | 87263-122* | 87263-120* |
| 14 | 87263-142* | 87263-140* |
| 16 | 87263-162* | 87263-160* |
| 18 | 87263-182* | 87263-180* |
| 20 | 87263-202* | 87263-200* |
| 22 | 87263-222* | 87263-220* |
| 24 | 87263-242* | 87263-240* |
| 26 | 87263-262* | 87263-260* |
| 28 | 87263-282* | 87263-280* |
| 30 | 87263-302* | 87263-300* |
| 32 | 87263-322* | 87263-320* |
| 34 | 87263-342* | 87263-340* |
| 36 | 87263-362* | 87263-360* |
| 38 | 87263-382* | 87263-380* |
| 40 | 87263-402* | 87263-400* |
| 42 | 87263-422* | 87263-420* |
| 44 | △ 87263-442* | 87263-440* |

| SEE SHEET 3 IEC NO: S2015-0829 DRWNG: CGOH CH'KD: ATSEE APPR: KHLIM 2015/04/16 2015/04/27 2015/04/27 | QUALITY SYMBOLS $F_A=0$ $F_B=0$ $F_C=0$ | GENERAL TOLERANCES (UNLESS SPECIFIED) <table border="1"> <thead> <tr> <th></th> <th>mm</th> <th>INCH</th> </tr> </thead> <tbody> <tr><td>4 PLACES</td><td>± ---</td><td>± ---</td></tr> <tr><td>3 PLACES</td><td>± ---</td><td>± ---</td></tr> <tr><td>2 PLACES</td><td>± 0.20</td><td>± ---</td></tr> <tr><td>1 PLACE</td><td>± ---</td><td>± ---</td></tr> <tr><td>0 PLACE</td><td>±</td><td>±</td></tr> </tbody> </table> | | mm | INCH | 4 PLACES | ± --- | ± --- | 3 PLACES | ± --- | ± --- | 2 PLACES | ± 0.20 | ± --- | 1 PLACE | ± --- | ± --- | 0 PLACE | ± | ± | DIMENSION STYLE MM ONLY | SCALE NTS | DESIGN UNITS METRIC | THIRD ANGLE PROJECTION |
|--|--|---|---|----|------|----------------------------|-------|-------|----------|-------|-------|----------|--------|-------|---------|-------|-------|---------|---|---|-----------------------------------|---------------------|-------------------------------|------------------------|
| | | mm | INCH | | | | | | | | | | | | | | | | | | | | | |
| | 4 PLACES | ± --- | ± --- | | | | | | | | | | | | | | | | | | | | | |
| | 3 PLACES | ± --- | ± --- | | | | | | | | | | | | | | | | | | | | | |
| 2 PLACES | ± 0.20 | ± --- | | | | | | | | | | | | | | | | | | | | | | |
| 1 PLACE | ± --- | ± --- | | | | | | | | | | | | | | | | | | | | | | |
| 0 PLACE | ± | ± | | | | | | | | | | | | | | | | | | | | | | |
| DRAWN BY JDK DATE 1991/01/11 | CHECKED BY MLAI DATE 1991/01/11 | APPROVED BY MLONG DATE 2010/03/19 | TITLE MGRID, B/ENTRY RECEPT. 2.80MM HT. W/LOC. PEGS W/CAP, SMT | | | | | | | | | | | | | | | | | | | | | |
| MATERIAL NO. SEE TABLE | | | DOCUMENT NO. SD-87263-***2* | | | SHEET NO. 2 OF 4 | | | | | | | | | | | | | | | | | | |
| DRAFT WHERE APPLICABLE MUST REMAIN WITHIN DIMENSIONS | | | THIS DRAWING CONTAINS INFORMATION THAT IS PROPRIETARY TO MOLEX INCORPORATED AND SHOULD NOT BE USED WITHOUT WRITTEN PERMISSION | | | | | | | | | | | | | | | | | | | | | |



PART NO. 87263-***9* (CKTS 04 TO 14)
SINGLE SPROCKET HOLE T/REEL - TYPE A

| △ PART NO. FOR PARTS WITHOUT CAP IN T/REEL | △ PART NO. FOR PARTS WITH CAP IN T/REEL | CKT. SIZE | F | So | W | T/REEL TYPE |
|--|---|-----------|------|------|----|-------------|
| 87263-048* | 87263-049* | 4 | 11.5 | - | 24 | A |
| 87263-068* | 87263-069* | 6 | 11.5 | - | 24 | |
| 87263-088* | 87263-089* | 8 | 11.5 | - | 24 | |
| 87263-108* | 87263-109* | 10 | 11.5 | - | 24 | |
| 87263-128* | 87263-129* | 12 | 11.5 | - | 24 | |
| 87263-148* | 87263-149* | 14 | 11.5 | - | 24 | |
| 87263-168* | 87263-169* | 16 | 11.5 | - | 24 | |
| 87263-188* | 87263-189* | 18 | 14.2 | 28.4 | 32 | |
| 87263-208* | 87263-209* | 20 | 20.2 | 40.4 | 44 | |
| 87263-228* | 87263-229* | 22 | 20.2 | 40.4 | 44 | |
| 87263-248* | 87263-249* | 24 | 20.2 | 40.4 | 44 | |
| 87263-268* | 87263-269* | 26 | 20.2 | 40.4 | 44 | |
| 87263-288* | 87263-289* | 28 | 20.2 | 40.4 | 44 | |
| 87263-308* | 87263-309* | 30 | 20.2 | 40.4 | 44 | |
| 87263-328* | 87263-329* | 32 | 26.2 | 52.4 | 56 | |
| 87263-348* | 87263-349* | 34 | - | - | - | |
| △ 87263-368* | 87263-369* | 36 | 26.2 | 52.4 | 56 | |
| 87263-388* | 87263-389* | 38 | - | - | - | |
| 87263-408* | 87263-409* | 40 | - | - | - | |
| △ 87263-3686 | - | 36 | 26.2 | 52.4 | 56 | B1 |



PART NO. 87263-***9* (CKTS 16 TO 40)
DOUBLE SPROCKET HOLE T/REEL - TYPE B

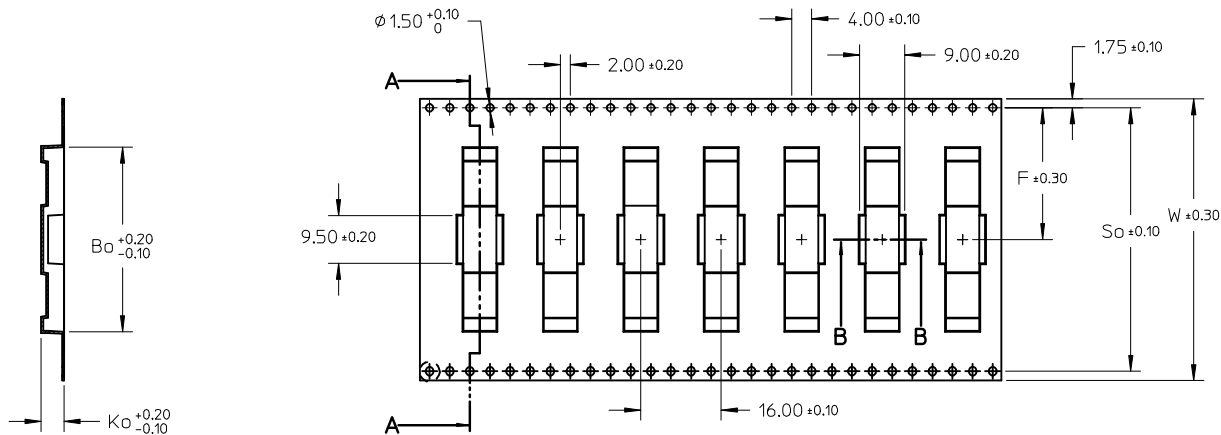
NOTES:

- LEADER AND TRAILER TAPE
- PEELING OFF FORCE OF THE TOP TAPE: 20-80gf.
(PEELING DIRECTION AS SHOWN IN FOLLOWING FIGURE)
- PACKAGING STANDARD IS AS PER EIA-481.
- TAPE & REEL QUANTITY: EMBOSSED TYPE A & B = 1000PCS/REEL
EMBOSSED TYPE B1 = 900PCS/REEL
- THE TAPE IS TREATED FOR ANTI-STATIC.

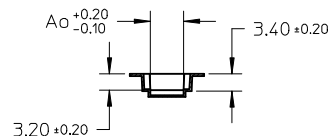
| REVISE 87263-229* EC NO: S2015-0829 DRWN:CGOH 2015/04/16 CHKD:ATSEE 2015/04/17 APPR:KHLIM 2015/04/17 | QUALITY SYMBOLS | GENERAL TOLERANCES (UNLESS SPECIFIED) | | DIMENSION STYLE MM ONLY | | SCALE NTS | DESIGN UNITS METRIC | THIRD ANGLE PROJECTION | | | | | | | | | | | | | | | | | | | | | | | | | | | | |
|--|--|--|--------------------|--------------------------------|------|---|------------------------|------------------------|----------|-------|-------|----------|--------|-------|---------|-------|-------|---------|---|---|--|----|------|-------|-------|--------|-------|-------|-------|---|---|-----------------|--------------------|---|--|---------------------|
| | $\nabla_A=0$ $\nabla_C=0$ $\nabla_P=0$ | <table border="1"> <tr><th></th><th>mm</th><th>INCH</th></tr> <tr><td>4 PLACES</td><td>± ---</td><td>± ---</td></tr> <tr><td>3 PLACES</td><td>± ---</td><td>± ---</td></tr> <tr><td>2 PLACES</td><td>± 0.20</td><td>± ---</td></tr> <tr><td>1 PLACE</td><td>± ---</td><td>± ---</td></tr> <tr><td>0 PLACE</td><td>±</td><td>±</td></tr> </table> | | mm | INCH | 4 PLACES | ± --- | ± --- | 3 PLACES | ± --- | ± --- | 2 PLACES | ± 0.20 | ± --- | 1 PLACE | ± --- | ± --- | 0 PLACE | ± | ± | <table border="1"> <tr><th>mm</th><th>INCH</th></tr> <tr><td>± ---</td><td>± ---</td></tr> <tr><td>± 0.20</td><td>± ---</td></tr> <tr><td>± ---</td><td>± ---</td></tr> <tr><td>±</td><td>±</td></tr> </table> | mm | INCH | ± --- | ± --- | ± 0.20 | ± --- | ± --- | ± --- | ± | ± | DRAWN BY JDK | DATE 1991/01/11 | TITLE MGRID, B/ENTRY RECEPT. 2.80MM HT. W/LOC. PEGS W/CAP, SMT | | SHEET NO. 3 OF 4 |
| | | mm | INCH | | | | | | | | | | | | | | | | | | | | | | | | | | | | | | | | | |
| | 4 PLACES | ± --- | ± --- | | | | | | | | | | | | | | | | | | | | | | | | | | | | | | | | | |
| 3 PLACES | ± --- | ± --- | | | | | | | | | | | | | | | | | | | | | | | | | | | | | | | | | | |
| 2 PLACES | ± 0.20 | ± --- | | | | | | | | | | | | | | | | | | | | | | | | | | | | | | | | | | |
| 1 PLACE | ± --- | ± --- | | | | | | | | | | | | | | | | | | | | | | | | | | | | | | | | | | |
| 0 PLACE | ± | ± | | | | | | | | | | | | | | | | | | | | | | | | | | | | | | | | | | |
| mm | INCH | | | | | | | | | | | | | | | | | | | | | | | | | | | | | | | | | | | |
| ± --- | ± --- | | | | | | | | | | | | | | | | | | | | | | | | | | | | | | | | | | | |
| ± 0.20 | ± --- | | | | | | | | | | | | | | | | | | | | | | | | | | | | | | | | | | | |
| ± --- | ± --- | | | | | | | | | | | | | | | | | | | | | | | | | | | | | | | | | | | |
| ± | ± | | | | | | | | | | | | | | | | | | | | | | | | | | | | | | | | | | | |
| DRAFT WHERE APPLICABLE MUST REMAIN WITHIN DIMENSIONS | MATERIAL NO. SEE TABLE | APPROVED BY MLONG | DATE 2010/03/19 | DOCUMENT NO. SD-87263-***2* | | | | | | | | | | | | | | | | | | | | | | | | | | | | | | | | |
| J10 | REV | ANGULAR ± 3 ° | | SIZE A3 | | THIS DRAWING CONTAINS INFORMATION THAT IS PROPRIETARY TO MOLEX INCORPORATED AND SHOULD NOT BE USED WITHOUT WRITTEN PERMISSION | | | | | | | | | | | | | | | | | | | | | | | | | | | | | | |

T/REEL TYPE B1

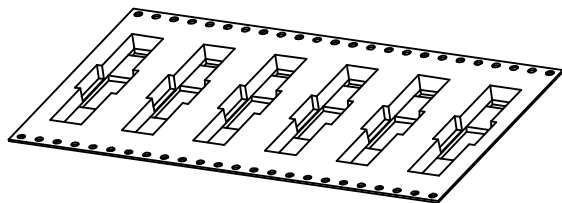
| | | | | |
|-------------------------|----------|-------|------|------|
| PART WITHOUT CAP IN T&R | CKT SIZE | Bo | Ko | Ao |
| 9 87263-3686 | 36 | 36.40 | 5.00 | 6.60 |



SECTION A-A



SECTION B-B



| | | | | | | | | | |
|--|--|---|----|----------------------------|-----------------|---|-------------------------------|--|---------------------|
| SEE SHEET 3 EC NO: S2015-0829 DRWING: G0H CHKD: AISEE APPR: KHL IM 2015/04/16 2015/04/17 2015/04/17 | QUALITY SYMBOLS | GENERAL TOLERANCES (UNLESS SPECIFIED) | | DIMENSION STYLE MM ONLY | | SCALE NTS | DESIGN UNITS METRIC | THIRD ANGLE PROJECTION | |
| | $\nabla_A = 0$ $\nabla_C = 0$ $\nabla_P = 0$ | 4 PLACES ± --- ± --- 3 PLACES ± --- ± --- 2 PLACES ± 0.20 ± --- 1 PLACE ± --- ± --- 0 PLACE ± ± | mm | INCH | DRAWN BY JDK | DATE 1991/01/11 | TITLE | MGRID, B/ENTRY RECEPT. 2.80MM HT. W/LOC. PEGS W/CAP, SMT | |
| | DESCRIPTION | DRAFT WHERE APPLICABLE MUST REMAIN WITHIN DIMENSIONS | | MATERIAL NO. MLONG | | DATE 2010/03/19 | DOCUMENT NO. SD-87263-**2* | | SHEET NO. 4 OF 4 |
| | REV J10 | ANGULAR ± 3 ° | | SEE TABLE | | THIS DRAWING CONTAINS INFORMATION THAT IS PROPRIETARY TO MOLEX INCORPORATED AND SHOULD NOT BE USED WITHOUT WRITTEN PERMISSION | | | |



Компания «ЭлектроПласт» предлагает заключение долгосрочных отношений при поставках импортных электронных компонентов на взаимовыгодных условиях!

Наши преимущества:

- Оперативные поставки широкого спектра электронных компонентов отечественного и импортного производства напрямую от производителей и с крупнейших мировых складов;
- Поставка более 17-ти миллионов наименований электронных компонентов;
- Поставка сложных, дефицитных, либо снятых с производства позиций;
- Оперативные сроки поставки под заказ (от 5 рабочих дней);
- Экспресс доставка в любую точку России;
- Техническая поддержка проекта, помощь в подборе аналогов, поставка прототипов;
- Система менеджмента качества сертифицирована по Международному стандарту ISO 9001;
- Лицензия ФСБ на осуществление работ с использованием сведений, составляющих государственную тайну;
- Поставка специализированных компонентов (Xilinx, Altera, Analog Devices, Intersil, Interpoint, Microsemi, Aeroflex, Peregrine, Syfer, Eurofarad, Texas Instrument, Miteq, Cobham, E2V, MA-COM, Hittite, Mini-Circuits, General Dynamics и др.);

Помимо этого, одним из направлений компании «ЭлектроПласт» является направление «Источники питания». Мы предлагаем Вам помощь Конструкторского отдела:

- Подбор оптимального решения, техническое обоснование при выборе компонента;
- Подбор аналогов;
- Консультации по применению компонента;
- Поставка образцов и прототипов;
- Техническая поддержка проекта;
- Защита от снятия компонента с производства.



Как с нами связаться

Телефон: 8 (812) 309 58 32 (многоканальный)

Факс: 8 (812) 320-02-42

Электронная почта: org@eplast1.ru

Адрес: 198099, г. Санкт-Петербург, ул. Калинина, дом 2, корпус 4, литера А.