

LuxiGen Horticulture Emitter Series
LZP Multi-Wavelength Horticulture LED Emitter

LZP-00H100



Key Features

- Ultra-high Photosynthetic Photon Flux (PPF) surface mount ceramic package LED with integrated glass lens
- Blue 453nm, Deep Red 660nm, Far Red 740nm and Green 517nm in a single LED package for optimum overall plant growth
- 70W power dissipation in a compact 12.0mm x 12.0mm emitter footprint
- Industry lowest thermal resistance per package footprint (0.5°C/W)
- In-source mixing based on smart die positioning for optimum wavelength uniformity
- Electrically neutral thermal path
- JEDEC Level 1 for Moisture Sensitivity Level
- Lead (Pb) free and RoHS compliant
- Emitter available on 4-channel Star and Connectorized MCPCB (optional)
- Full suite of TIR secondary optics family available

Typical Applications

- Horticulture lighting

Description

The LZP-00H100 horticulture LED emitter incorporates multiple wavelengths critical for optimum plant growth: Blue 453nm, Deep Red 660nm, Far Red 740nm and Green 517nm. From a compact 12.0mm x 12.0mm footprint, it produces an ultra-high Photosynthetic Photon Flux (PPF) value of 106 μ mol/s, maximizing the Photosynthetic Photon Flux Density (PPFD) in a given area. The emitter's smart die positioning pre-mixes the colors in the emitter level for optimum wavelength uniformity on the plant surface. The ultra-low thermal resistance of the package dissipates 70W of heat efficiently resulting in excellent flux output and flux maintenance over time. The glass primary lens and other high quality materials used in the package are designed to deliver monumental robustness in challenging grow environment with high ambient temperature and humidity.

Part Number Options

Base part number

Part number	Description
LZP-00H100-xxxx	LZP emitter
LZP-L0H100-xxxx	LZP emitter on 4 channel Star MCPCB
LZP-W0H100-xxxx	LZP emitter on 4 channel Connectorized MCPCB

Bin kit option codes:

H1, Horticulture	
Kit number suffix	Description
0000	Full distribution flux; full distribution wavelength

Radiant Flux Bins

Table 1:

Bin Code	Minimum Radiant Flux (Φ) @ $I_F = 700\text{mA}$ ^[1] (mW)		Maximum Radiant Flux (Φ) @ $I_F = 700\text{mA}$ ^[1] (mW)	
	Ch 1/ Ch 3	Ch 2/ Ch 4	Ch 1/ Ch 3	Ch 2/ Ch 4
	4 Deep Red + 2 Far Red	4 Blue + 2 Green	4 Deep Red + 2 Far Red	4 Blue + 2 Green
01R23	2800		5200	
01BG	3700		5300	

Notes for Table 1:

1. Radiant flux performance is measured at 10ms pulse, $T_c = 25^\circ\text{C}$; with all LED dice with the same color connected in series. LED Engin maintains a tolerance of $\pm 10\%$ on flux measurements.

Typical Wavelength Range¹

@ $I_F = 700\text{mA}$

Deep Red: 655 – 670nm peak wavelength

Far Red: 723 – 745nm peak wavelength

Blue: 453 – 460nm dominant wavelength²

Green: 520 – 530nm dominant wavelength³

Notes:

1. Wavelength for individual colors cannot be measured because there are 2 different wavelength dies connected within a series string.
2. Predicted typical peak wavelength equivalent: 447-457nm
3. Predicted typical peak wavelength equivalent: 510-526nm

Forward Voltage Bin

Table 2:

Bin Code	Minimum Forward Voltage (V_F) @ $I_F = 700\text{mA}$ ^[1,2] (V)		Maximum Forward Voltage (V_F) @ $I_F = 700\text{mA}$ ^[1,2] (V)	
	Ch 1/ Ch 3	Ch 2/ Ch 4	Ch 1/ Ch 3	Ch 2/ Ch 4
	4 Deep Red + 2 Far Red	4 Blue + 2 Green	4 Deep Red + 2 Far Red	4 Blue + 2 Green
0	12.0	17.6	17.4	23.6

Notes for Table 3:

1. Forward voltage is measured at 10ms pulse, $T_c = 25^\circ\text{C}$ with all LED dice with the same color connected in series.
2. LED Engin maintains a tolerance of $\pm 0.24\text{V}$ for forward voltage measurements for 6 LEDs.

Absolute Maximum Ratings

Table 3:

Parameter	Symbol	Value	Unit
DC Forward Current ^[1]	I_F	1000	mA
Peak Pulsed Forward Current ^[2]	I_{FP}	1500	mA
Reverse Voltage	V_R	See Note 3	V
Storage Temperature	T_{stg}	-40 ~ +150	°C
Junction Temperature	T_J	125	°C
Soldering Temperature ^[4]	T_{sol}	260	°C

Notes for Table 4:

- Maximum DC forward current is determined by the overall thermal resistance and ambient temperature. Follow the curves in Figure 11 for current derating.
- Pulse forward current conditions: Pulse Width \leq 10msec and Duty Cycle \leq 10%.
- LEDs are not designed to be reverse biased.
- Solder conditions per JEDEC 020D. See Reflow Soldering Profile Figure 5.
- LED Engin recommends taking reasonable precautions towards possible ESD damages and handling the LZP-00H100 in an electrostatic protected area (EPA). An EPA may be adequately protected by ESD controls as outlined in ANSI/ESD S6.1.

Optical Characteristics @ $T_C = 25^\circ\text{C}$

Table 4:

Parameter	Symbol	Typical				Total	Unit
		8 Deep Red	4 Far Red	8 Blue ^[1]	4 Green		
PF 280-800nm (@ $I_F = 700\text{mA}$)		31.2	12.6	28.7	5.7	78.2	$\mu\text{mol/s}$
PF 280-800nm (@ $I_F = 1000\text{mA}$)		43.6	16.2	38.7	7.5	106.0	$\mu\text{mol/s}$
Radiant Flux (@ $I_F = 700\text{mA}$)	Φ	5.7	2.1	7.6	1.3	16.7	W
Radiant Flux (@ $I_F = 1000\text{mA}$)	Φ	8.0	2.7	10.3	1.7	22.7	W
Wavelength	λ_p	660	740	453	517		nm
Viewing Angle ^[2]	$2\Theta_{\frac{1}{2}}$			125			Degrees
Total Included Angle ^[3]	$\Theta_{0.9}$			140			Degrees

Notes for Table 5:

- When operating the Blue LED, observe IEC 62471 Risk Group 2 rating. Do not stare into the beam.
- Viewing Angle is the off axis angle from emitter centerline where the luminous intensity is $\frac{1}{2}$ of the peak value.
- Total Included Angle is the total angle that includes 90% of the total luminous flux.

Electrical Characteristics @ $T_C = 25^\circ\text{C}$

Table 5:

Parameter	Symbol	Typical				Unit
		8 Deep Red	4 Far Red	8 Blue	4 Green	
Forward Voltage (@ $I_F = 700\text{mA}$) ^[1]	V_F	18.8	8.2	25.6	14.4	V
Forward Voltage (@ $I_F = 1000\text{mA}$) ^[1]	V_F	20.6	8.8	26.4	15.0	V
Temperature Coefficient of Forward Voltage	$\Delta V_F/\Delta T_J$	-36.8	-8.0	-16.0	-11.6	mV/°C
Thermal Resistance (Junction to Case)	RO_{J-C}		0.5			°C/W

Notes for Table 6:

- Forward Voltage typical value is for all LED dice from the same color dice connected in series.

IPC/JEDEC Moisture Sensitivity Level

Table 6 – IPC/JEDEC J-STD-20 MSL Classification:

Level	Floor Life		Soak Requirements			
	Time	Conditions	Standard	Accelerated	Standard	Accelerated
	Time	Conditions	Time (hrs)	Conditions	Time (hrs)	Conditions
1	unlimited	≤ 30°C/ 60% RH	168 +5/-0	85°C/ 60% RH	n/a	n/a

Notes for Table 6:

- The standard soak time includes a default value of 24 hours for semiconductor manufacturer's exposure time (MET) between bake and bag and includes the maximum time allowed out of the bag at the distributor's facility.

Average Lumen Maintenance Projections

Lumen maintenance generally describes the ability of a lamp to retain its output over time. The useful lifetime for solid state lighting devices (Power LEDs) is also defined as Lumen Maintenance, with the percentage of the original light output remaining at a defined time period.

Based on long-term HTOL testing, LED Engin projects that the LZP Series will deliver, on average, above 70% Lumen Maintenance at 20,000 hours of operation at a forward current of 700mA. This projection is based on constant current operation with junction temperature maintained at or below 120°C for LZP product.



Mechanical Dimensions (mm)

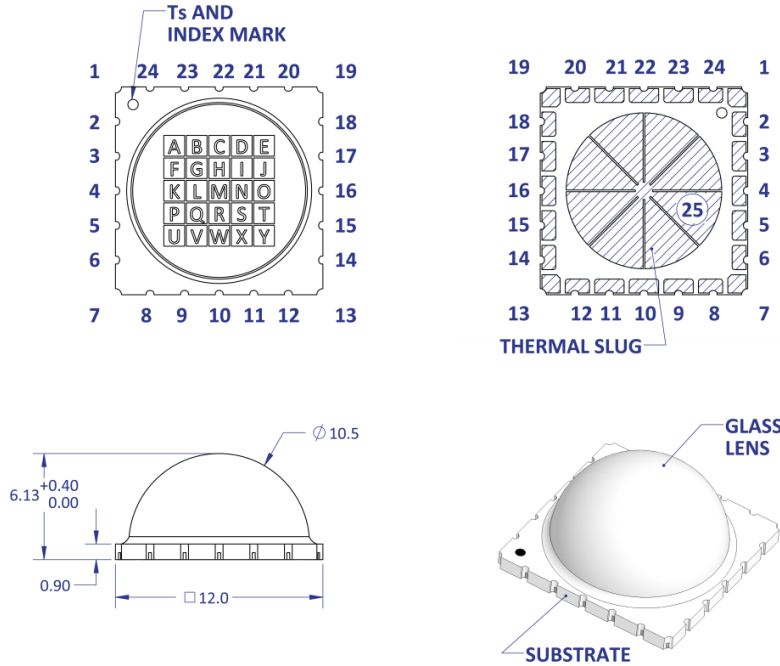


Figure 1: Package outline drawing.

Notes:

1. Unless otherwise noted, the tolerance = ± 0.20 mm.
2. Thermal slug is electrically isolated
3. Ts is a thermal reference point

Pin Out				
Ch.	Pad	Die	Color	Function
1	18	B	Deep Red	Anode +
		I	Deep Red	na
		K	Deep Red	na
		R	Deep Red	na
		T	Far Red	na
2	2	U	Far Red	Cathode -
	17	E	Blue	Anode +
		F	Blue	na
		H	Blue	na
		O	Blue	na
3	3	X	Green	Cathode -
	15	A	Deep Red	Cathode -
		C	Deep Red	na
		J	Deep Red	na
		L	Deep Red	na
4	5	S	Far Red	na
	5	V	Far Red	Anode +
	14	D	Blue	Anode +
		G	Blue	na
		M	Blue	na
		N	Blue	na
6		P	Green	na
		W	Green	na
		Y	N/A	Cathode -

DNC pins: 1,4,7,8,9,10,11,12,13,16,19,20,21,22,23,24.

Note:

DNC = Do Not Connect (Electrically Non Isolated)

Recommended Solder Pad Layout (mm)

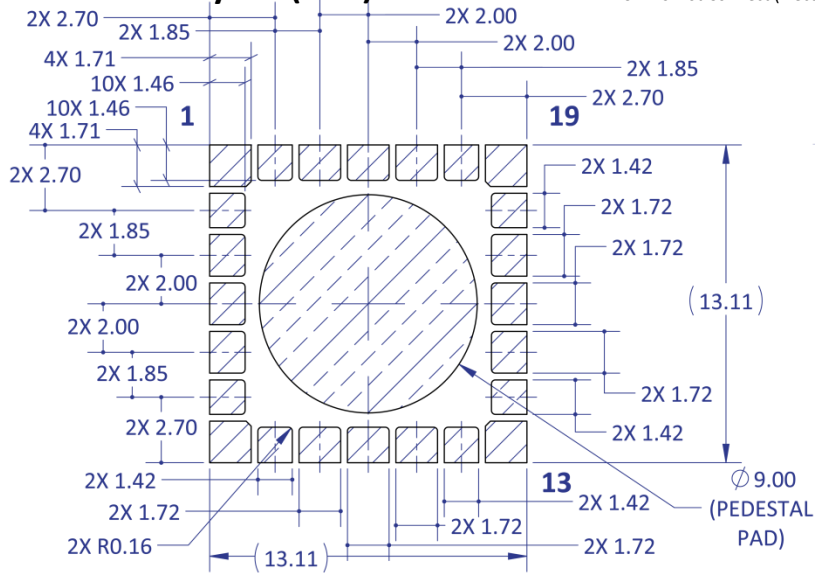


Figure 2a: Recommended solder mask opening (hatched area) for anode, cathode, and thermal pad.

Notes:

1. Unless otherwise noted, the tolerance = ± 0.20 mm.
2. LED Engin recommends the use of copper core MCPCB's which allow for the emitter thermal slug to be soldered directly to the copper core (so called pedestal design). Such MCPCB technologies eliminate the high thermal resistance dielectric layer that standard MCPCB technologies use in between the emitter thermal slug and the metal core of the MCPCB, thus lowering the overall system thermal resistance.
3. LED Engin recommends x-ray sample monitoring for solder voids underneath the emitter thermal slug. The total area covered by solder voids should be less than 20% of the total emitter thermal slug area. Excessive solder voids will increase the emitter to MCPCB thermal resistance and may lead to higher failure rates due to thermal over stress.

Recommended Solder Mask Layout (mm)

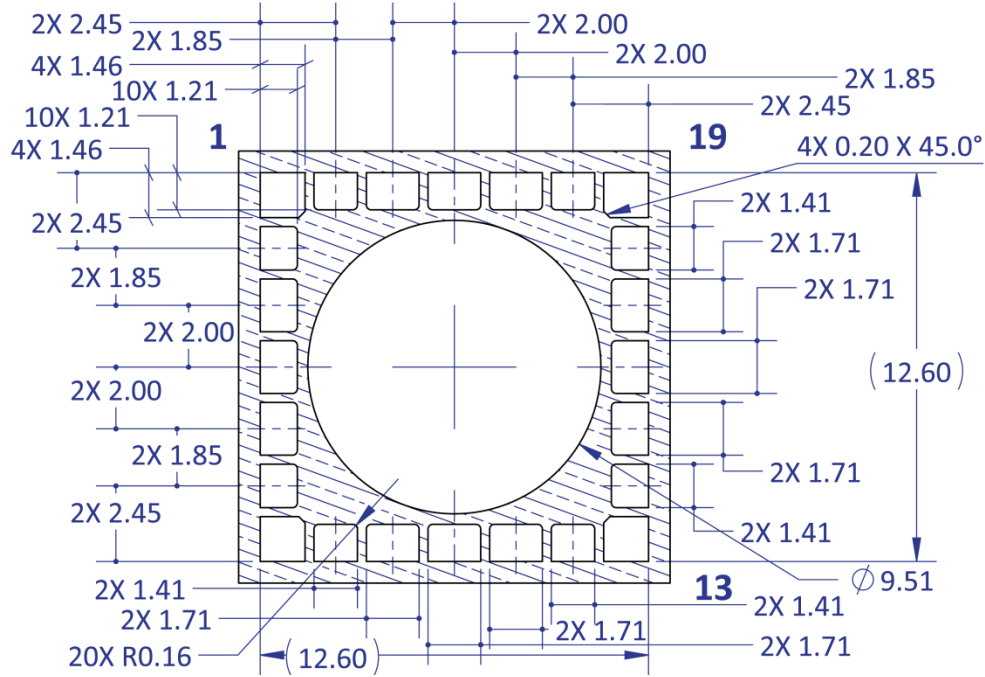


Figure 2b: Recommended solder mask opening for anode, cathode, and thermal pad

Note for Figure 2b:

1. Unless otherwise noted, the tolerance = ± 0.20 mm.

Recommended 8 mil Stencil Apertures Layout (mm)

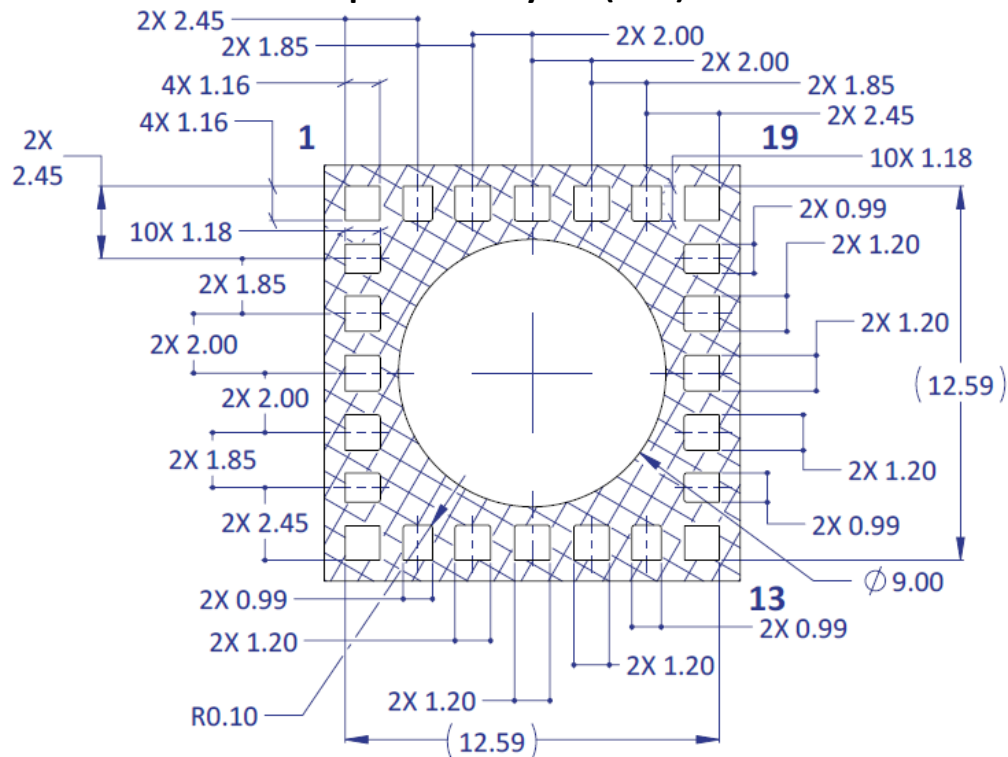


Figure 2c: Recommended 8mil stencil apertures layout for anode, cathode, and thermal pad

Note for Figure 2c:

1. Unless otherwise noted, the tolerance = ± 0.20 mm.

Reflow Soldering Profile

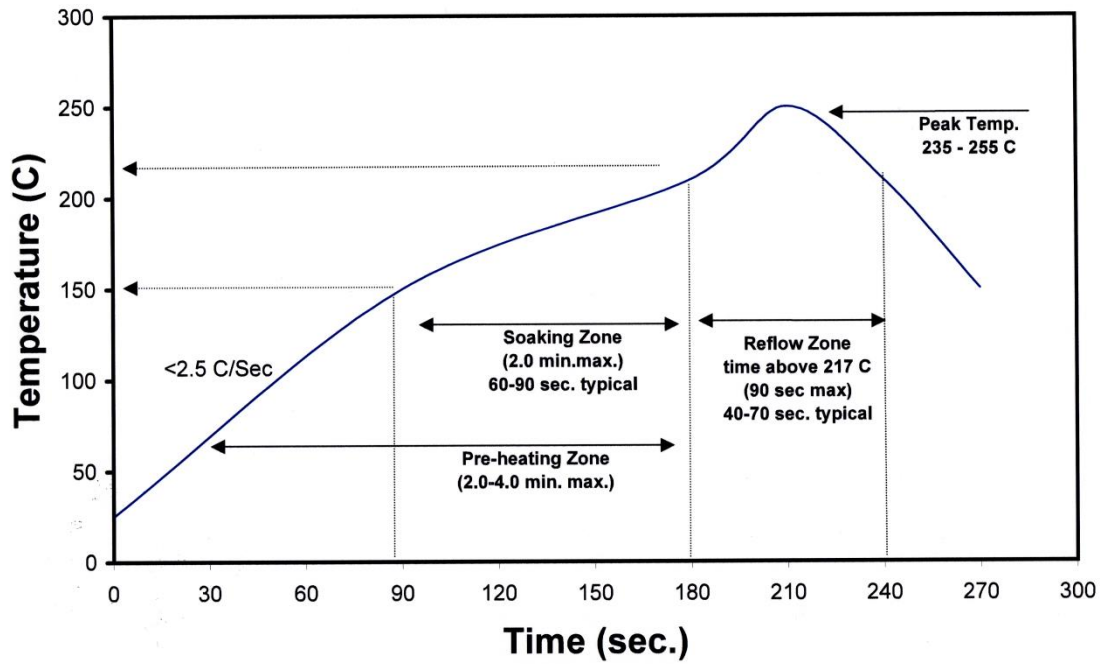


Figure 3: Reflow soldering profile for lead free soldering.

Typical Radiation Pattern

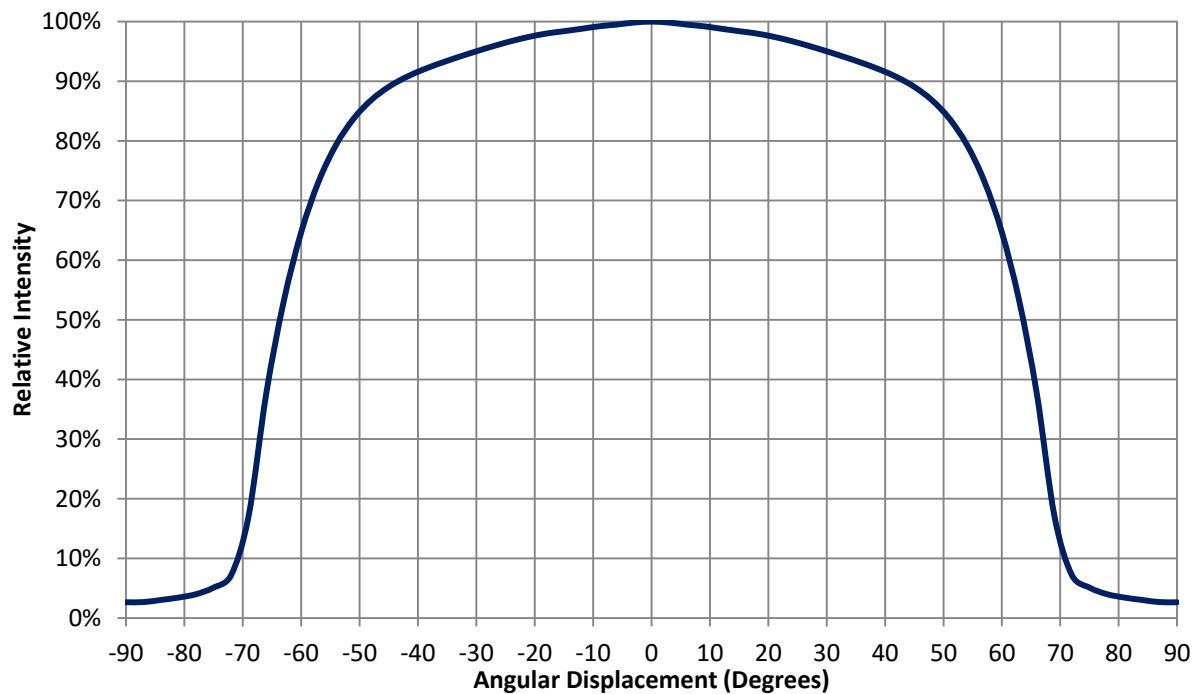


Figure 4: Typical representative spatial radiation pattern.

Typical Relative Spectral Power Distribution

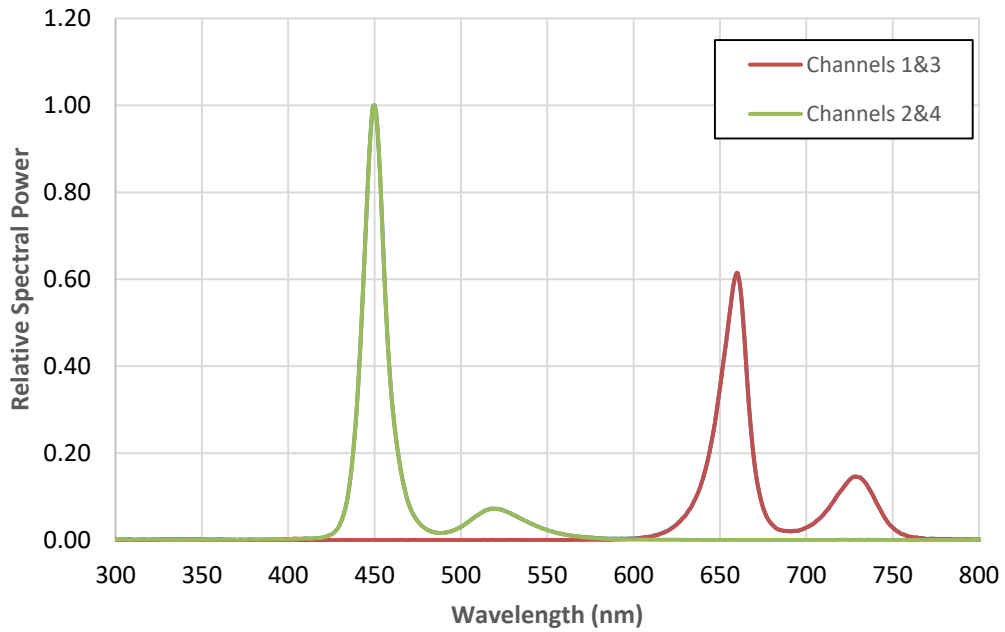


Figure 5: Typical relative spectral power vs. wavelength @ $T_c = 25^\circ\text{C}$.

Typical Forward Current Characteristics

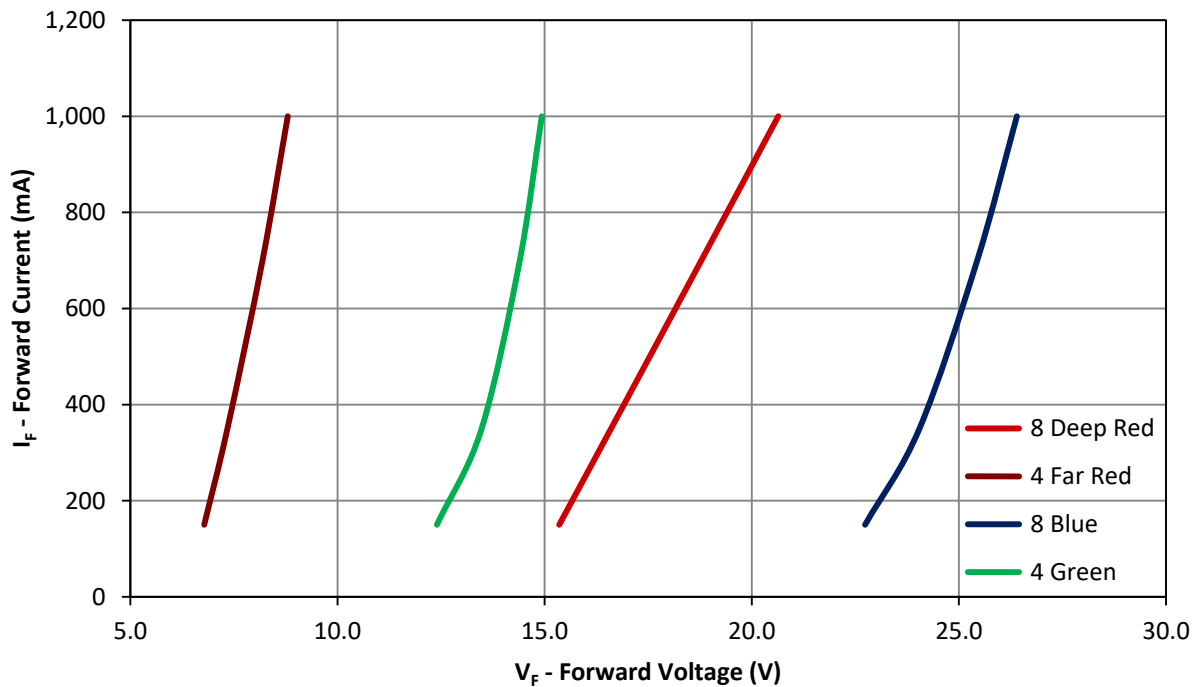


Figure 6: Typical forward current vs. forward voltage @ $T_c = 25^\circ\text{C}$

Typical Normalized Radiant Flux over Current

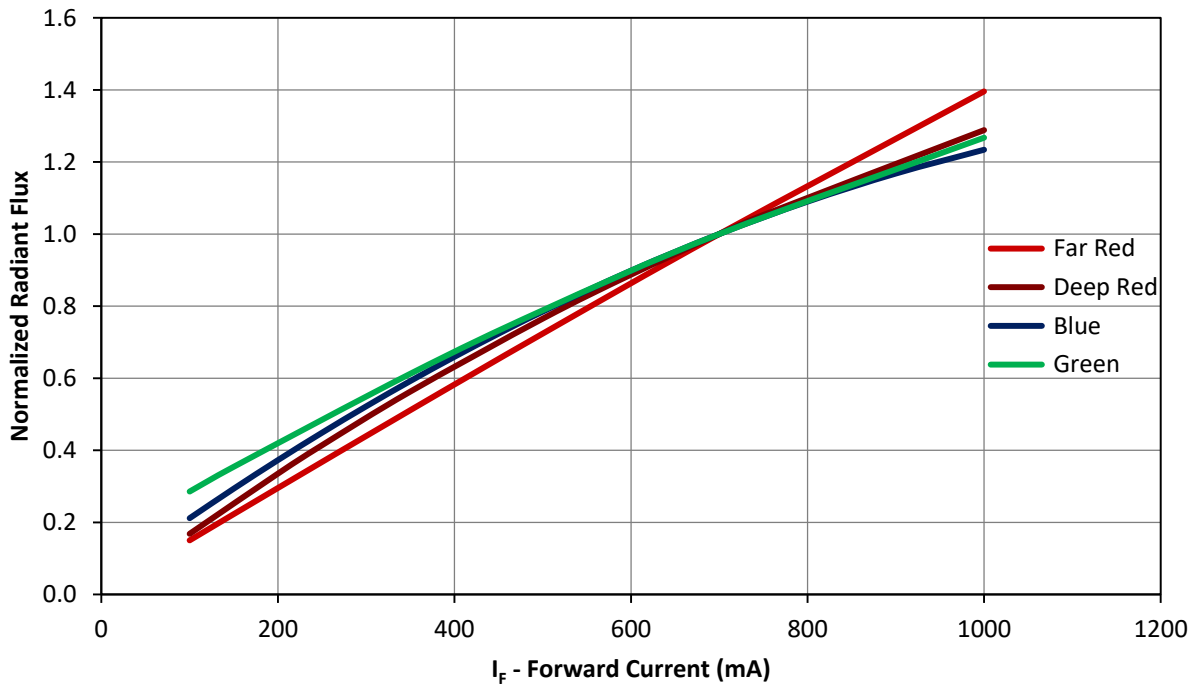


Figure 7: Typical normalized radiant flux vs. forward current @ $T_c = 25^\circ\text{C}$.

Typical Normalized Radiant Flux over Temperature

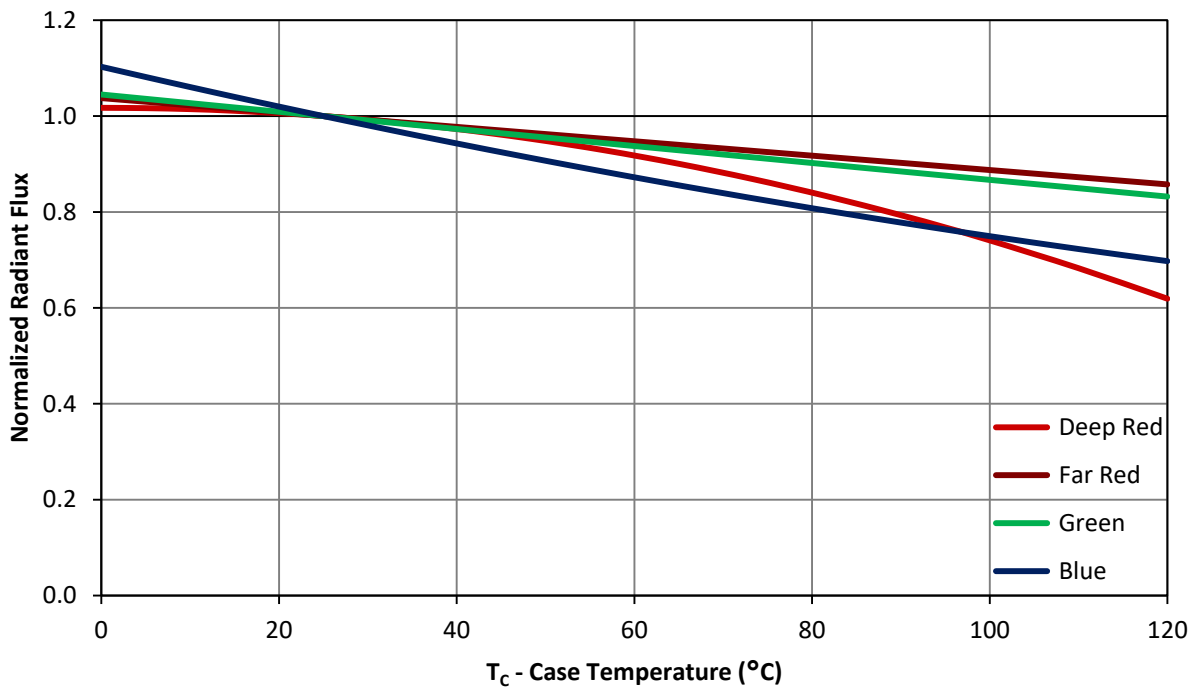


Figure 8: Typical normalized radiant flux vs. case temperature.

Typical Peak Wavelength Shift over Current

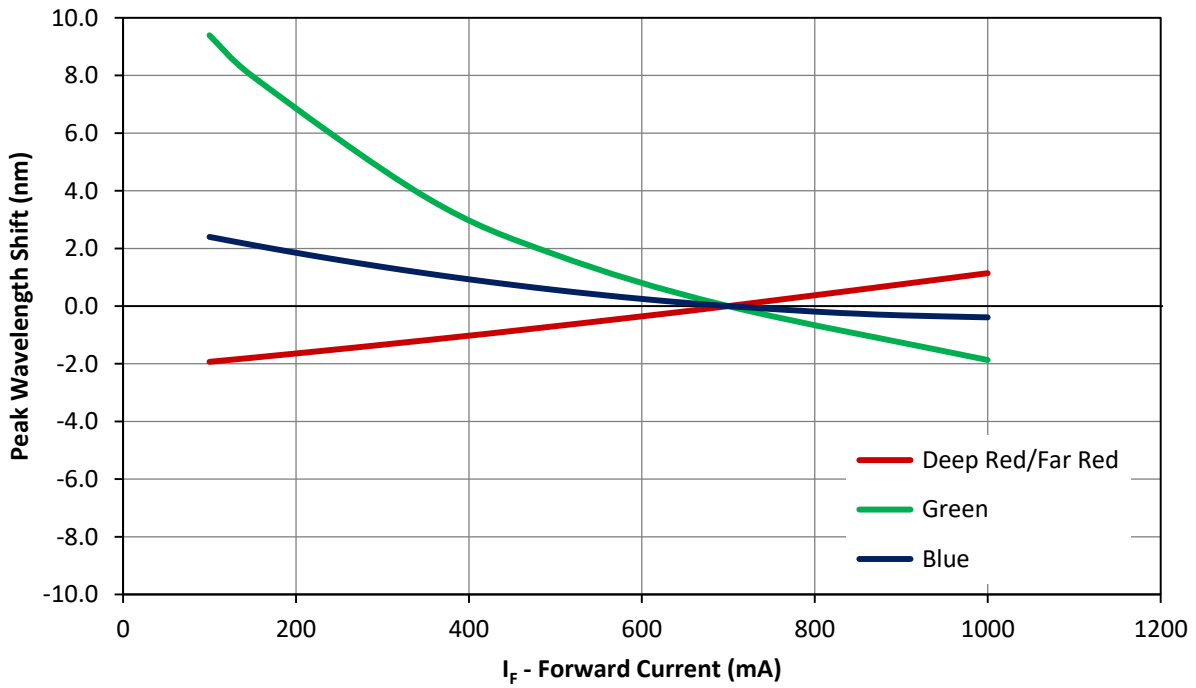


Figure 9: Typical peak wavelength shift vs. forward current @ $T_c = 25^\circ\text{C}$.

Typical Peak Wavelength Shift over Temperature

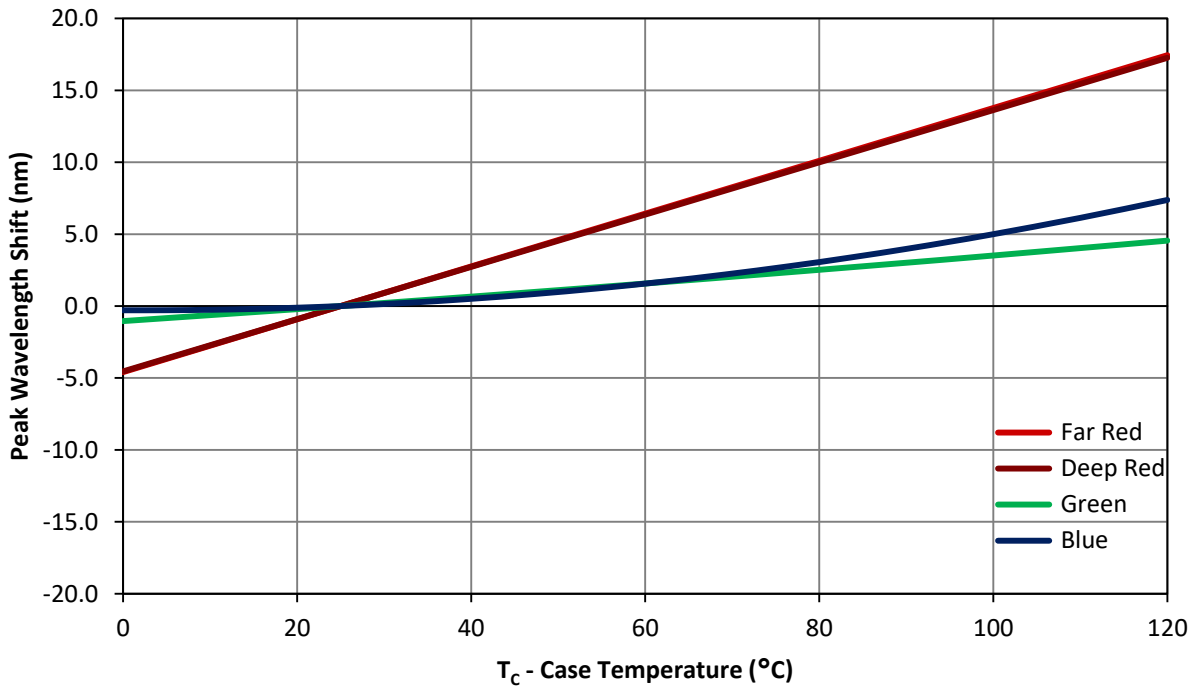


Figure 10: Typical peak wavelength shift vs. case temperature.

Current De-rating

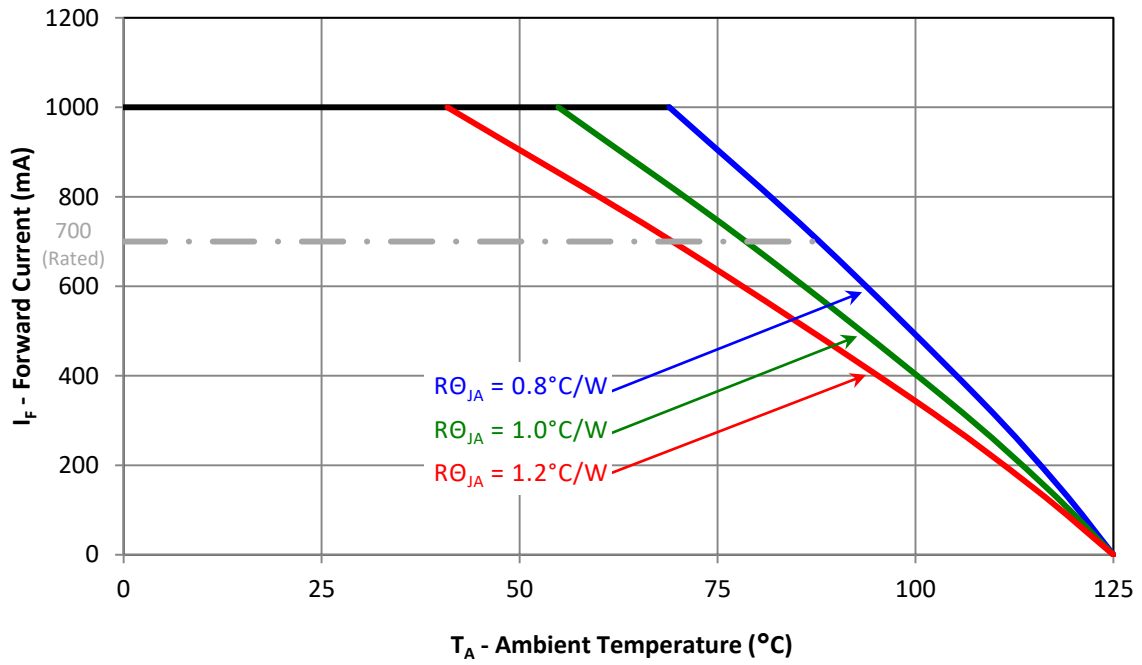


Figure 11: Maximum forward current vs. ambient temperature based on $T_{J(\text{MAX})} = 125^\circ\text{C}$

Notes for Figure 11:

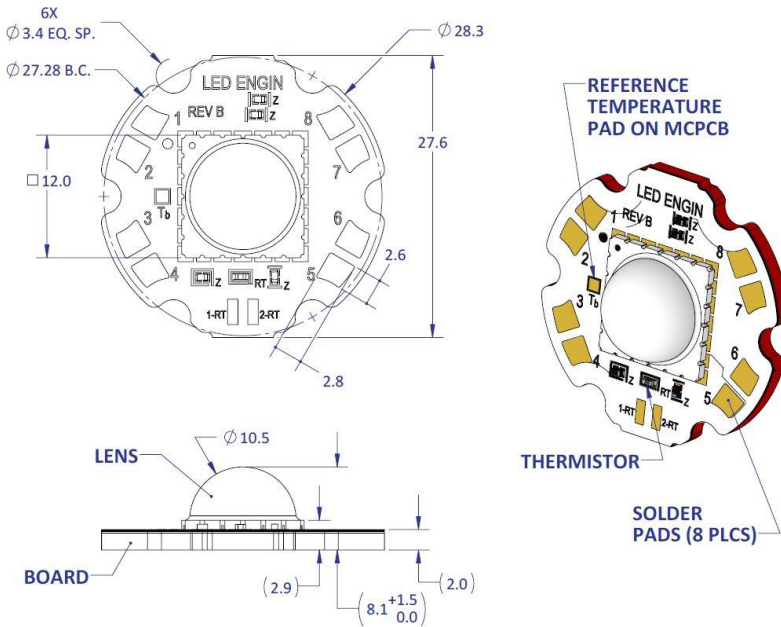
1. Maximum current assumes that all 24 LED dies are operating concurrently at the same current.
2. $R\theta_{J-C}$ [Junction to Case Thermal Resistance] for LZP-00H100 is typically 0.5°C/W .
3. $R\theta_{J-A}$ [Junction to Ambient Thermal Resistance] = $R\theta_{J-C}$ + $R\theta_{C-A}$ [Case to Ambient Thermal Resistance].

LZP MCPCB Family

Part number	Type of MCPCB	Diameter (mm)	Emitter + MCPCB Thermal Resistance (°C/W)	Typical V _F (V)	Typical I _F (mA)
LZP-Lxxxxx	4-channel	28.3	0.5 + 0.1 = 0.6	13.5 – 20.0	4 x 700
LZP-Wxxxxx	4-channel (Connectorized)	50.0	0.5 + 0.1 = 0.6	13.5 – 20.0	4 x 700

LZP-Lxxxxx

4-Channel MCPCB Mechanical Dimensions (mm)



Note:

- Unless otherwise noted, the tolerance = ± 0.20 mm.
- Slots in MCPCB are for M3 or #4-40 mounting screws.
- The thermal resistance of the MCPCB is: $R_{\theta C-B}$ 0.1°C/W

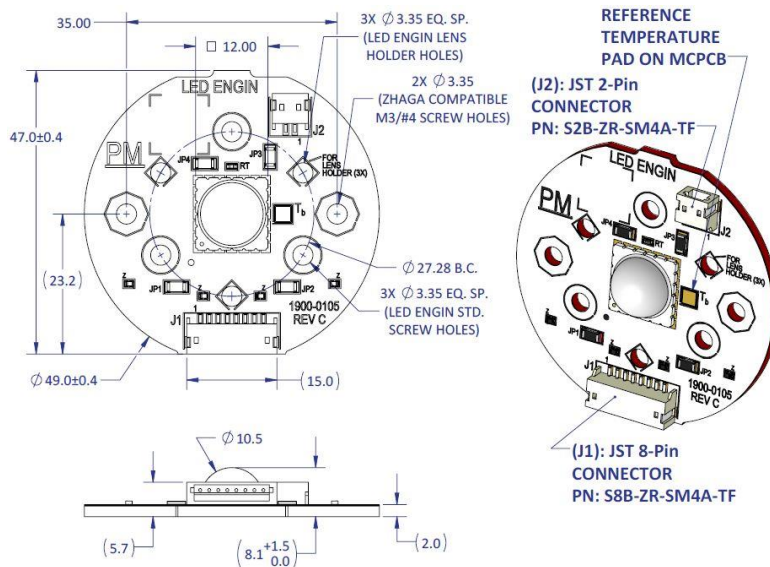
Components used

MPCB:	MHE-301 copper	(Rayben)
ESD chips:	BZX884-B39	(NXP, for 6-7 LED dies in series)
NTC:	NCP15XH103F03RC	(Murata)

Pad layout			
Ch.	MPCB Pad	String/die	Function
1 (D. Red + F. Red)	8	1/	Anode +
	1	BIKRTU	Cathode -
2 (Blue + Green)	7	2/	Anode +
	2	EFHOQX	Cathode -
3 (D. Red + F. Red)	3	3/	Anode +
	6	ACJLSV	Cathode -
4 (Blue + Green)	5	4/	Anode +
	4	DGMNPWY	Cathode -
NTC	1-RT	10kohm	NTCA
	2-RT	NTC	NTCB

LZP-Wxxxxx

4-Channel 50mm Connectorized MCPCB Mechanical Dimensions (mm)



Note:

- Unless otherwise noted, the tolerance = ± 0.20 mm.
- Mating connector: ZHR-8 (JST) for the 8-pin connector and ZHR-2 (JST) for the 2-pin connector. It is recommended to strain relief the mating connector.
- LED Engin standard screw refers to M3 or #4-40 screw.
- The thermal resistance of the MCPCB is: R_{ΘC-B} 0.1°C/W

Components used

MCPCB:	MHE-301 copper	(Rayben)
Connectors ¹ :	S8B-ZR-SM4A-TF	(JST)
	S2B-ZR-SM4A-TF	(JST)
Jumper:	RC1206JR-070RL	(Yageo)
ESD/TVS diode:	SPHV36-01ETG	(Littelfuse)
Thermistor:	NCP15XH103F03RC	(Murata)

Note:

1. Max connector temp is 105°C.

MCPCB Pin-Out (at J1 connector)			
Ch.	Connector Pin	String/die	Function
1 (D. Red + F. Red)	1	1/	Anode +
	2	BIKRTU	Cathode -
2 (Blue + Green)	3	2/	Anode +
	4	EFHOQX	Cathode -
3 (D. Red + F. Red)	5	3/	Anode +
	6	ACJLSV	Cathode -
4 (Blue + Green)	8	4/	Anode +
	7	DGMNPWY	Cathode -
MCPCB Pin-Out (at J2 connector)			
Ch.	Connector Pin	String	Function
NTC	1	10kohm NTC	NTCA
	2		NTCB

Application Guidelines

MCPCB Assembly Recommendations

A good thermal design requires an efficient heat transfer from the MCPCB to the heat sink. In order to minimize air gaps in between the MCPCB and the heat sink, it is common practice to use thermal interface materials such as thermal pastes, thermal pads, phase change materials and thermal epoxies. Each material has its pros and cons depending on the design. Thermal interface materials are most efficient when the mating surfaces of the MCPCB and the heat sink are flat and smooth. Rough and uneven surfaces may cause gaps with higher thermal resistances, increasing the overall thermal resistance of this interface. It is critical that the thermal resistance of the interface is low, allowing for an efficient heat transfer to the heat sink and keeping MCPCB temperatures low.

When optimizing the thermal performance, attention must also be paid to the amount of stress that is applied on the MCPCB. Too much stress can cause the ceramic emitter to crack. To relax some of the stress, it is advisable to use plastic washers between the screw head and the MCPCB and to follow the torque range listed below. For applications where the heat sink temperature can be above 50°C, it is recommended to use high temperature and rigid plastic washers, such as polycarbonate or glass-filled nylon.

LED Engin recommends the use of the following thermal interface materials:

1. Bergquist's Gap Pad 5000S35, 0.020in thick
 - Part Number: Gap Pad® 5000S35 0.020in/0.508mm
 - Thickness: 0.020in/0.508mm
 - Thermal conductivity: 5 W/m-K
 - Continuous use max temperature: 200°C
 - Using M3 Screw (or #4 screw), with polycarbonate or glass-filled nylon washer (#4) the recommended torque range is: 20 to 25 oz-in (1.25 to 1.56 lbf-in or 0.14 to 0.18 N-m)

2. 3M's Acrylic Interface Pad 5590H
 - Part number: 5590H @ 0.5mm
 - Thickness: 0.020in/0.508mm
 - Thermal conductivity: 3 W/m-K
 - Continuous use max temperature: 100°C
 - Using M3 Screw (or #4 screw), with polycarbonate or glass-filled nylon washer (#4) the recommended torque range is: 20 to 25 oz-in (1.25 to 1.56 lbf-in or 0.14 to 0.18 N-m)

Mechanical Mounting Considerations

The mounting of MCPCB assembly is a critical process step. Excessive mechanical stress build up in the MCPCB can cause the MCPCB to warp which can lead to emitter substrate cracking and subsequent cracking of the LED dies

LED Engin recommends the following steps to avoid mechanical stress build up in the MCPCB:

- Inspect MCPCB and heat sink for flatness and smoothness.
- Select appropriate torque for mounting screws. Screw torque depends on the MCPCB mounting method (thermal interface materials, screws, and washer).
- Always use three M3 or #4-40 screws with #4 washers.
- When fastening the three screws, it is recommended to tighten the screws in multiple small steps. This method avoids building stress by tilting the MCPCB when one screw is tightened in a single step.
- Always use plastic washers in combinations with the three screws. This avoids high point contact stress on the screw head to MCPCB interface, in case the screw is not seated perpendicular.
- In designs with non-tapped holes using self-tapping screws, it is common practice to follow a method of three turns tapping a hole clockwise, followed by half a turn anti-clockwise, until the appropriate torque is reached.

Wire Soldering

- To ease soldering wire to MCPCB process, it is advised to preheat the MCPCB on a hot plate of 125-150°C. Subsequently, apply the solder and additional heat from the solder iron will initiate a good solder reflow. It is recommended to use a solder iron of more than 60W.
- It is advised to use lead-free, no-clean solder. For example: SN-96.5 AG-3.0 CU 0.5 #58/275 from Kester (pn: 24-7068-7601)

About LED Engin

LED Engin, an OSRAM business based in California's Silicon Valley, develops, manufactures, and sells advanced LED emitters, optics and light engines to create uncompromised lighting experiences for a wide range of entertainment, architectural, general lighting and specialty applications. LuxiGen™ multi-die emitter and secondary lens combinations reliably deliver industry-leading flux density, upwards of 5000 quality lumens to a target, in a wide spectrum of colors including whites, tunable whites, multi-color and UV LEDs in a unique patented compact ceramic package. Our LuxiTune™ series of tunable white lighting modules leverage our LuxiGen emitters and lenses to deliver quality, control, freedom and high density tunable white light solutions for a broad range of new recessed and downlighting applications. The small size, yet remarkably powerful beam output and superior in-source color mixing, allows for a previously unobtainable freedom of design wherever high-flux density, directional light is required. LED Engin is committed to providing products that conserve natural resources and reduce greenhouse emissions; and reserves the right to make changes to improve performance without notice.

For more information, please contact LEDE-Sales@osram.com or +1 408 922-7200.



Компания «ЭлектроПласт» предлагает заключение долгосрочных отношений при поставках импортных электронных компонентов на взаимовыгодных условиях!

Наши преимущества:

- Оперативные поставки широкого спектра электронных компонентов отечественного и импортного производства напрямую от производителей и с крупнейших мировых складов;
- Поставка более 17-ти миллионов наименований электронных компонентов;
- Поставка сложных, дефицитных, либо снятых с производства позиций;
- Оперативные сроки поставки под заказ (от 5 рабочих дней);
- Экспресс доставка в любую точку России;
- Техническая поддержка проекта, помощь в подборе аналогов, поставка прототипов;
- Система менеджмента качества сертифицирована по Международному стандарту ISO 9001;
- Лицензия ФСБ на осуществление работ с использованием сведений, составляющих государственную тайну;
- Поставка специализированных компонентов (Xilinx, Altera, Analog Devices, Intersil, Interpoint, Microsemi, Aeroflex, Peregrine, Syfer, Eurofarad, Texas Instrument, Miteq, Cobham, E2V, MA-COM, Hittite, Mini-Circuits, General Dynamics и др.);

Помимо этого, одним из направлений компании «ЭлектроПласт» является направление «Источники питания». Мы предлагаем Вам помощь Конструкторского отдела:

- Подбор оптимального решения, техническое обоснование при выборе компонента;
- Подбор аналогов;
- Консультации по применению компонента;
- Поставка образцов и прототипов;
- Техническая поддержка проекта;
- Защита от снятия компонента с производства.



Как с нами связаться

Телефон: 8 (812) 309 58 32 (многоканальный)

Факс: 8 (812) 320-02-42

Электронная почта: org@eplast1.ru

Адрес: 198099, г. Санкт-Петербург, ул. Калинина, дом 2, корпус 4, литера А.