

# MC14067B

## Analog Multiplexers / Demultiplexers

The MC14067 multiplexer/demultiplexer is a digitally controlled analog switch featuring low ON resistance and very low leakage current. This device can be used in either digital or analog applications.

The MC14067 is a 16-channel multiplexer/demultiplexer with an inhibit and four binary control inputs A, B, C, and D. These control inputs select 1-of-16 channels by turning ON the appropriate analog switch (see MC14067 truth table.)

### Features

- Low OFF Leakage Current
- Matched Channel Resistance
- Low Quiescent Power Consumption
- Low Crosstalk Between Channels
- Wide Operating Voltage Range: 3 to 18 V
- Low Noise
- Pin for Pin Replacement for CD4067B
- These Devices are Pb-Free and are RoHS Compliant

### MAXIMUM RATINGS (Voltages Referenced to $V_{SS}$ )

Symbol	Parameter	Value	Unit
$V_{DD}$	DC Supply Voltage Range	- 0.5 to + 18.0	V
$V_{in}, V_{out}$	Input or Output Voltage Range (DC or Transient)	- 0.5 to $V_{DD} + 0.5$	V
$I_{in}$	Input Current (DC or Transient), per Control Pin	$\pm 10$	mA
$I_{sw}$	Switch Through Current	$\pm 25$	mA
$P_D$	Power Dissipation, per Package (Note 1)	500	mW
$T_A$	Ambient Temperature Range	- 55 to + 125	$^{\circ}C$
$T_{stg}$	Storage Temperature Range	- 65 to + 150	$^{\circ}C$
$T_L$	Lead Temperature (8-Second Soldering)	260	$^{\circ}C$

Stresses exceeding Maximum Ratings may damage the device. Maximum Ratings are stress ratings only. Functional operation above the Recommended Operating Conditions is not implied. Extended exposure to stresses above the Recommended Operating Conditions may affect device reliability.

#### 1. Temperature Derating:

Plastic "P and D/DW" Packages: - 7.0 mW/ $^{\circ}C$  From 65 $^{\circ}C$  To 125 $^{\circ}C$

This device contains protection circuitry to guard against damage due to high static voltages or electric fields. However, precautions must be taken to avoid applications of any voltage higher than maximum rated voltages to this high-impedance circuit. For proper operation,  $V_{in}$  and  $V_{out}$  should be constrained to the range  $V_{SS} \leq (V_{in} \text{ or } V_{out}) \leq V_{DD}$ .

Unused inputs must always be tied to an appropriate logic voltage level (e.g., either  $V_{SS}$  or  $V_{DD}$ ). Unused outputs must be left open.



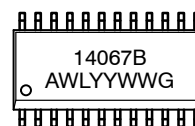
ON Semiconductor®

<http://onsemi.com>



SOIC-24  
DW SUFFIX  
CASE 751E

### MARKING DIAGRAM



A = Assembly Location  
WL = Wafer Lot  
YY = Year  
WW = Work Week  
G = Pb-Free Package

### ORDERING INFORMATION

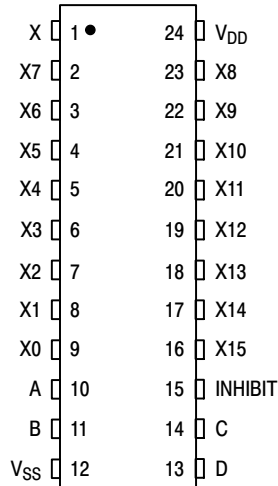
See detailed ordering and shipping information in the package dimensions section on page 5 of this data sheet.

# MC14067B

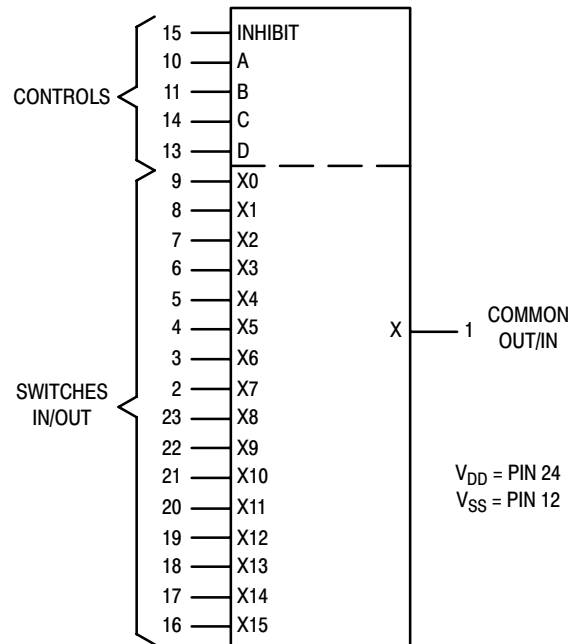
## TRUTH TABLE

Control Inputs					Selected Channel
A	B	C	D	Inh	
X	X	X	X	1	None
0	0	0	0	0	X0
1	0	0	0	0	X1
0	1	0	0	0	X2
1	1	0	0	0	X3
0	0	1	0	0	X4
1	0	1	0	0	X5
0	1	1	0	0	X6
1	1	1	0	0	X7
0	0	0	1	0	X8
1	0	0	1	0	X9
0	1	0	1	0	X10
1	1	0	1	0	X11
0	0	1	1	0	X12
1	0	1	1	0	X13
0	1	1	1	0	X14
1	1	1	1	0	X15

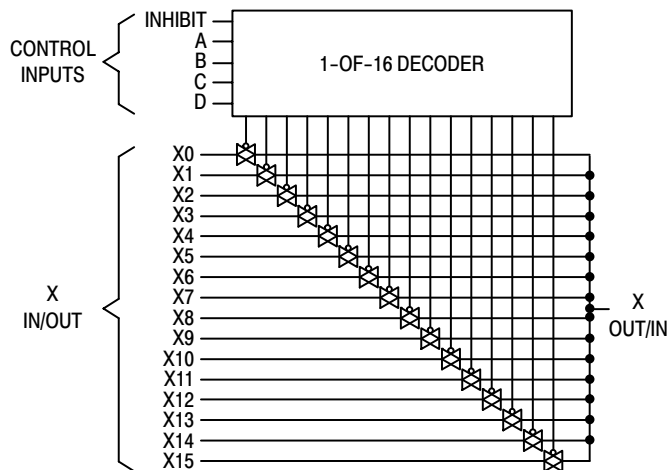
## PIN ASSIGNMENT



## 16-Channel Analog Multiplexer/Demultiplexer



## FUNCTIONAL DIAGRAM



# MC14067B

## ELECTRICAL CHARACTERISTICS

Characteristic	Symbol	V <sub>DD</sub>	Test Conditions	- 55°C		25°C			125°C		Unit
				Min	Max	Min	Typ <sup>(2)</sup>	Max	Min	Max	

### SUPPLY REQUIREMENTS (Voltages Referenced to V<sub>SS</sub>)

Power Supply Voltage Range	V <sub>DD</sub>	–		3.0	18	3.0	–	18	3.0	18	V	
Quiescent Current Per Package	I <sub>DD</sub>	5.0 10 15	Control Inputs: V <sub>in</sub> = V <sub>SS</sub> or V <sub>DD</sub> , Switch I/O: V <sub>SS</sub> ≤ V <sub>I/O</sub> ≤ V <sub>DD</sub> , and ΔV <sub>switch</sub> ≤ 500 mV <sup>(3)</sup>	– – –	5.0 10 20	– – –	0.005 0.010 0.015	5.0 10 20	– – –	150 300 600	μA	
Total Supply Current (Dynamic Plus Quiescent, Per Package)	I <sub>D(AV)</sub>	5.0 10 15	T <sub>A</sub> = 25°C only (The channel component, (V <sub>in</sub> – V <sub>out</sub> )/R <sub>on</sub> , is not included.)	Typical (0.07 μA/kHz) f + I <sub>DD</sub> (0.20 μA/kHz) f + I <sub>DD</sub> (0.36 μA/kHz) f + I <sub>DD</sub>								μA

### CONTROL INPUTS — INHIBIT, A, B, C, D (Voltages Referenced to V<sub>SS</sub>)

Low-Level Input Voltage	V <sub>IL</sub>	5.0 10 15	R <sub>on</sub> = per spec, I <sub>off</sub> = per spec	– – –	1.5 3.0 4.0	– – –	2.25 4.50 6.75	1.5 3.0 4.0	– – –	1.5 3.0 4.0	V
High-Level Input Voltage	V <sub>IH</sub>	5.0 10 15	R <sub>on</sub> = per spec, I <sub>off</sub> = per spec	3.5 7.0 11	– – –	3.5 7.0 11	2.75 5.50 8.25	– – –	3.5 7.0 11	– – –	V
Input Leakage Current	I <sub>in</sub>	15	V <sub>in</sub> = 0 or V <sub>DD</sub>	–	±0.1	–	±0.00001	±0.1	–	1.0	μA
Input Capacitance	C <sub>in</sub>	—		–	–	–	5.0	7.5	–	–	pF

### SWITCHES IN/OUT AND COMMONS OUT/IN — X, Y (Voltages Referenced to V<sub>SS</sub>)

Recommended Peak-to-Peak Voltage Into or Out of the Switch	V <sub>I/O</sub>	–	Channel On or Off	0	V <sub>DD</sub>	0	–	V <sub>DD</sub>	0	V <sub>DD</sub>	V <sub>p-p</sub>
Recommended Static or Dynamic Voltage Across the Switch <sup>(3)</sup> (Figure 1)	ΔV <sub>switch</sub>	–	Channel On	0	600	0	–	600	0	300	mV
Output Offset Voltage	V <sub>OO</sub>	–	V <sub>in</sub> = 0 V, No Load	–	–	–	10	–	–	–	μV
ON Resistance	R <sub>on</sub>	5.0 10 15	ΔV <sub>switch</sub> ≤ 500 mV <sup>(3)</sup> , V <sub>in</sub> = V <sub>IL</sub> or V <sub>IH</sub> (Control), and V <sub>in</sub> 0 to V <sub>DD</sub> (Switch)	– – –	800 400 220	– – –	250 120 80	1050 500 280	– – –	1300 550 320	Ω
ΔON Resistance Between Any Two Channels in the Same Package	ΔR <sub>on</sub>	5.0 10 15		– – –	70 50 45	– – –	25 10 10	70 50 45	– – –	135 95 65	Ω
Off-Channel Leakage Current (Figure 2)	I <sub>off</sub>	15	V <sub>in</sub> = V <sub>IL</sub> or V <sub>IH</sub> (Control) Channel to Channel or Any One Channel	–	±100	–	±0.05	±100	–	±1000	nA
Capacitance, Switch I/O	C <sub>I/O</sub>	–	Inhibit = V <sub>DD</sub>	–	—	—	10	–	–	–	pF
Capacitance, Common O/I	C <sub>O/I</sub>	–	Inhibit = V <sub>DD</sub> (MC14067B) (MC14097B)	– –	– –	– –	100 60	– –	– –	– –	pF
Capacitance, Feedthrough (Channel Off)	C <sub>I/O</sub>	– –	Pins Not Adjacent Pins Adjacent	–	–	–	0.47	–	–	–	pF

- Data labeled "Typ" is not to be used for design purposes, but is intended as an indication of the IC's potential performance.
- For voltage drops across the switch (ΔV<sub>switch</sub>) > 600 mV (> 300 mV at high temperature), excessive V<sub>DD</sub> current may be drawn; i.e. the current out of the switch may contain both V<sub>DD</sub> and switch input components. The reliability of the device will be unaffected unless the Maximum Ratings are exceeded. (See first page of this data sheet.)

# MC14067B

## ELECTRICAL CHARACTERISTICS (C<sub>L</sub> = 50 pF, T<sub>A</sub> = 25°C)

Characteristic	Symbol	V <sub>DD</sub> – V <sub>SS</sub> V <sub>dc</sub>	Typ (4)	Max	Unit
Propagation Delay Times Channel Input-to-Channel Output (R <sub>L</sub> = 200 kΩ) MC14067B	t <sub>PLH</sub> , t <sub>PHL</sub> (Figure 3)	5.0 10 15	35 15 12	90 40 30	ns
Propagation Delay Times Channel Input-to-Channel Output (R <sub>L</sub> = 1.0 kΩ) MC14067B	t <sub>PLH</sub> , t <sub>PHL</sub> (Figure 3)	5.0 10 15		50 30 20	ns
Control Input-to-Channel Output Channel Turn-On Time (R <sub>L</sub> = 10 kΩ) MC14067B	t <sub>PZH</sub> , t <sub>PZL</sub>	5.0 10 15	240 115 75	600 290 190	ns
Channel Turn-Off Time (R <sub>L</sub> = 300 kΩ) MC14067B	(Figure 4) t <sub>PHZ</sub> , t <sub>PLZ</sub>	5.0 10 15	250 120 75	625 300 190	ns
Channel Turn-Off Time (R <sub>L</sub> = 10 kΩ) MC14067B	(Figure 4)	5.0 10 15		625 450 350	ns
Any Pair of Address Inputs to Output MC14067B	t <sub>PLH</sub> , t <sub>PHL</sub>	5.0 10 15	280 115 85	700 290 215	ns
Second Harmonic Distortion (R <sub>L</sub> = 10 kΩ, f = 1 kHz, V <sub>in</sub> = 5 V <sub>p-p</sub> )	-	10	0.3	-	%
ON Channel Bandwidth [R <sub>L</sub> = 50 Ω, V <sub>in</sub> = 1/2 (V <sub>DD</sub> – V <sub>SS</sub> ) p-p (sine-wave)] 20 Log <sub>10</sub> (V <sub>out</sub> /V <sub>in</sub> ) = - 3 dB MC14067B	BW (Figure 5)	10	15	-	MHz
Off Channel Feedthrough Attenuation [R <sub>L</sub> = 50 Ω, V <sub>in</sub> = 1/2 (V <sub>DD</sub> – V <sub>SS</sub> ) p-p (sine-wave)] f <sub>in</sub> = 20 MHz – MC14067B	- (Figure 5)	10	- 40	-	dB
Channel Separation [R <sub>L</sub> = 1 kΩ, V <sub>in</sub> = 1/2 (V <sub>DD</sub> – V <sub>SS</sub> ) p-p (sine-wave)] f <sub>in</sub> = 20 MHz	- (Figure 6)	10	- 40	-	dB
Crosstalk, Control Inputs-to-Common O/I (R <sub>1</sub> = 1 kΩ, R <sub>L</sub> = 10 kΩ, Control t <sub>r</sub> = t <sub>f</sub> = 20 ns, Inhibit = V <sub>SS</sub> )	- (Figure 7)	10	30	-	mV

4. Data labelled "Typ" is not to be used for design purposes but is intended as an indication of the IC's potential performance.

# MC14067B

## ORDERING INFORMATION

Device	Package	Shipping†
MC14067BDWG	SOIC-24 (Pb-Free)	30 Units / Rail
MC14067BDWR2G	SOIC-24 (Pb-Free)	1000 Units / Tape & Reel

†For information on tape and reel specifications, including part orientation and tape sizes, please refer to our Tape and Reel Packaging Specifications Brochure, BRD8011/D.

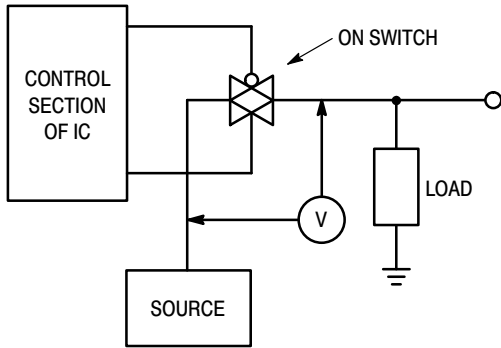


Figure 1.  $\Delta V$  Across Switch

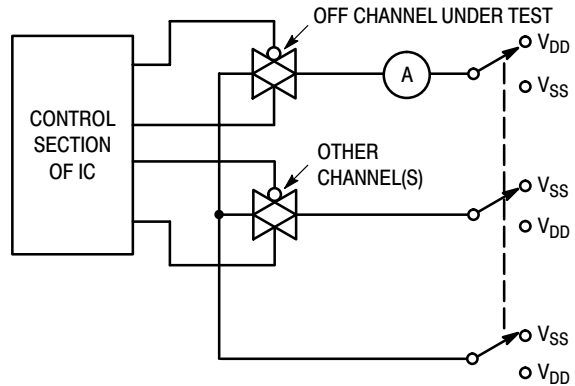


Figure 2. Off Channel Leakage

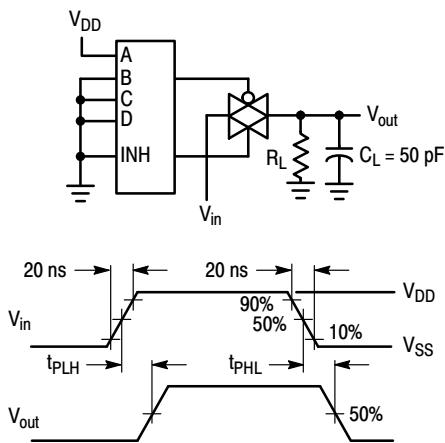


Figure 3. Propagation Delay Test Circuit and Waveforms  $V_{in}$  to  $V_{out}$

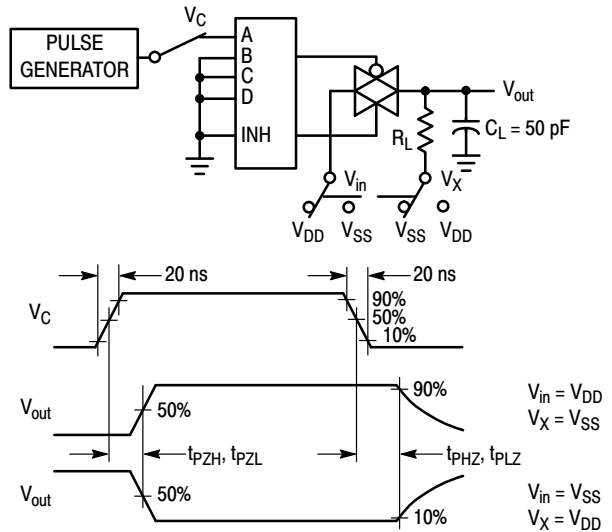
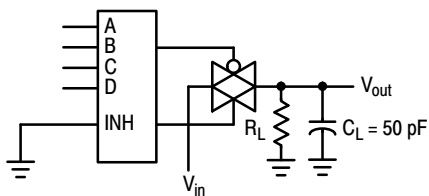


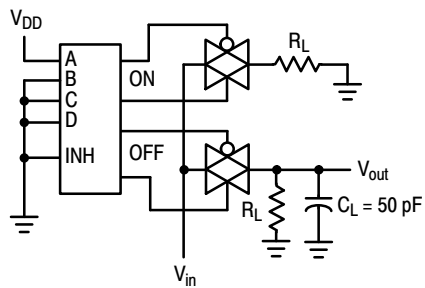
Figure 4. Turn-On and Delay Turn-Off Test Circuit and Waveforms

# MC14067B

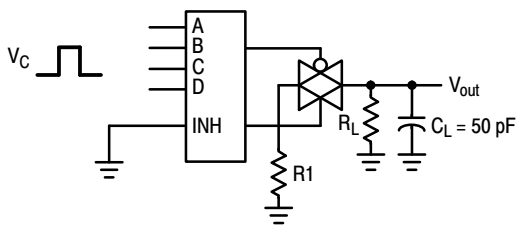
A, B, and C inputs used to turn ON or OFF the switch under test.



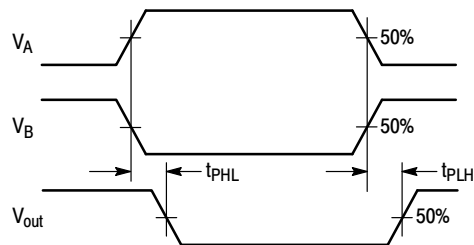
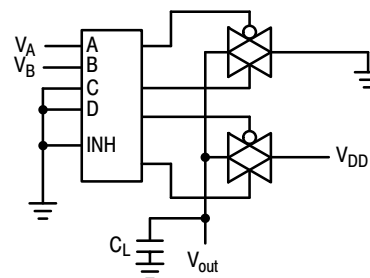
**Figure 5. Bandwidth and Off-Channel Feedthrough Attenuation**



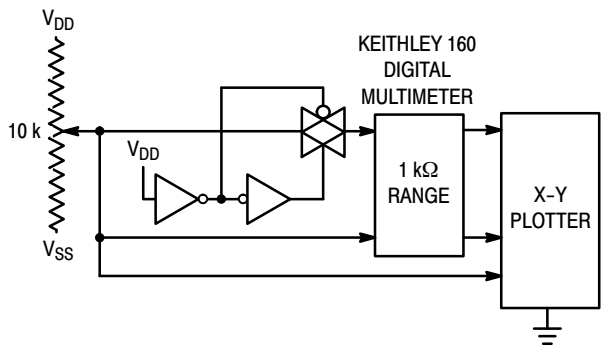
**Figure 6. Channel Separation (Adjacent Channels Used for Setup)**



**Figure 7. Crosstalk, Control to Common O/I**



**Figure 9. Propagation Delay, Any Pair of Address Inputs to Output**



**Figure 8. Channel Resistance ( $R_{ON}$ ) Test Circuit**

TYPICAL RESISTANCE CHARACTERISTICS

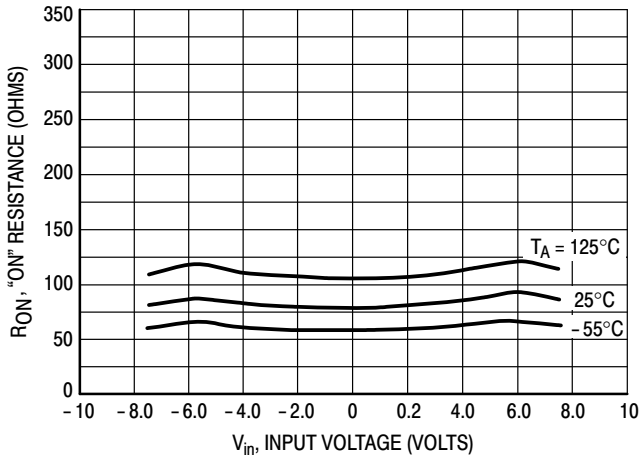


Figure 10.  $V_{DD} = 7.5\text{ V}$ ,  $V_{SS} = -7.5\text{ V}$

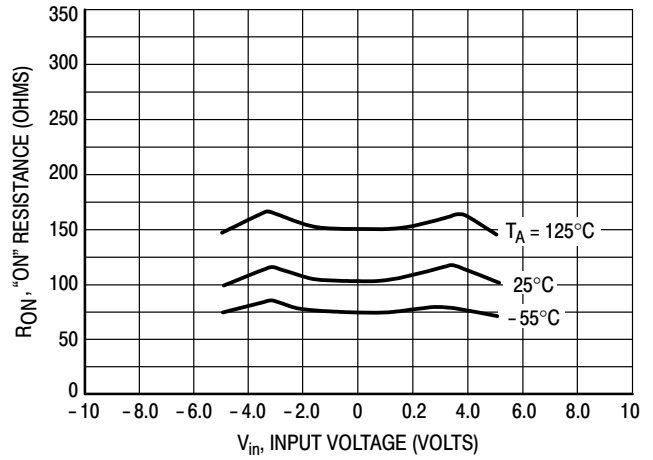


Figure 11.  $V_{DD} = 5.0\text{ V}$ ,  $V_{SS} = -5.0\text{ V}$

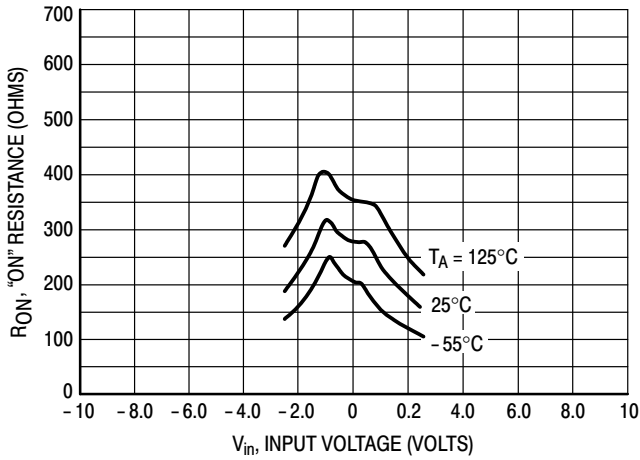


Figure 12.  $V_{DD} = 2.5\text{ V}$ ,  $V_{SS} = -2.5\text{ V}$

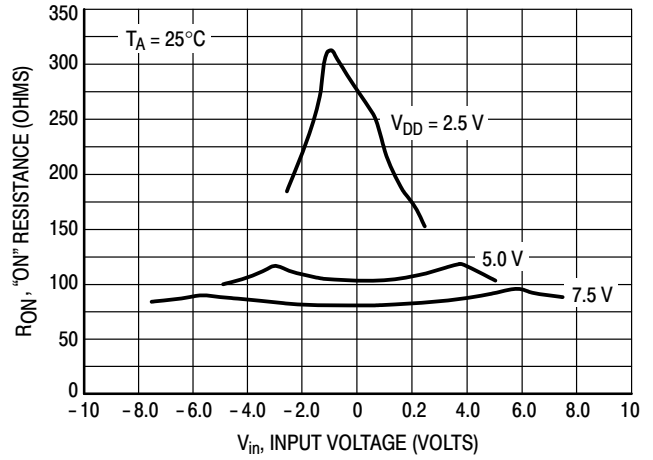


Figure 13. Comparison at 25°C,  $V_{DD} = -V_{SS}$

APPLICATIONS INFORMATION

Figure A illustrates use of the Analog Multiplexer / Demultiplexer. The 0-to-5 V Digital Control signal is used to directly control a 5 V<sub>p-p</sub> analog signal.

The digital control logic levels are determined by V<sub>DD</sub> and V<sub>SS</sub>. The V<sub>DD</sub> voltage is the logic high voltage; the V<sub>SS</sub> voltage is logic low. For the example, V<sub>DD</sub> = +5 V = logic high at the control inputs; V<sub>SS</sub> = GND = 0 V = logic low.

The maximum analog signal level is determined by V<sub>DD</sub> and V<sub>SS</sub>. The analog voltage must swing neither higher than V<sub>DD</sub> nor lower than V<sub>SS</sub>. The example shows a 5 V<sub>p-p</sub>

signal which allows no margin at either peak. If voltage transients above V<sub>DD</sub> and/or below V<sub>SS</sub> are anticipated on the analog channels, external diodes (D<sub>x</sub>) are recommended as shown in Figure B. These diodes should be small signal types able to absorb the maximum anticipated current surges during clipping.

The absolute maximum potential difference between V<sub>DD</sub> and V<sub>SS</sub> is 18.0 volts. Most parameters are specified up to 15 V which is the recommended maximum difference between V<sub>DD</sub> and V<sub>SS</sub>.

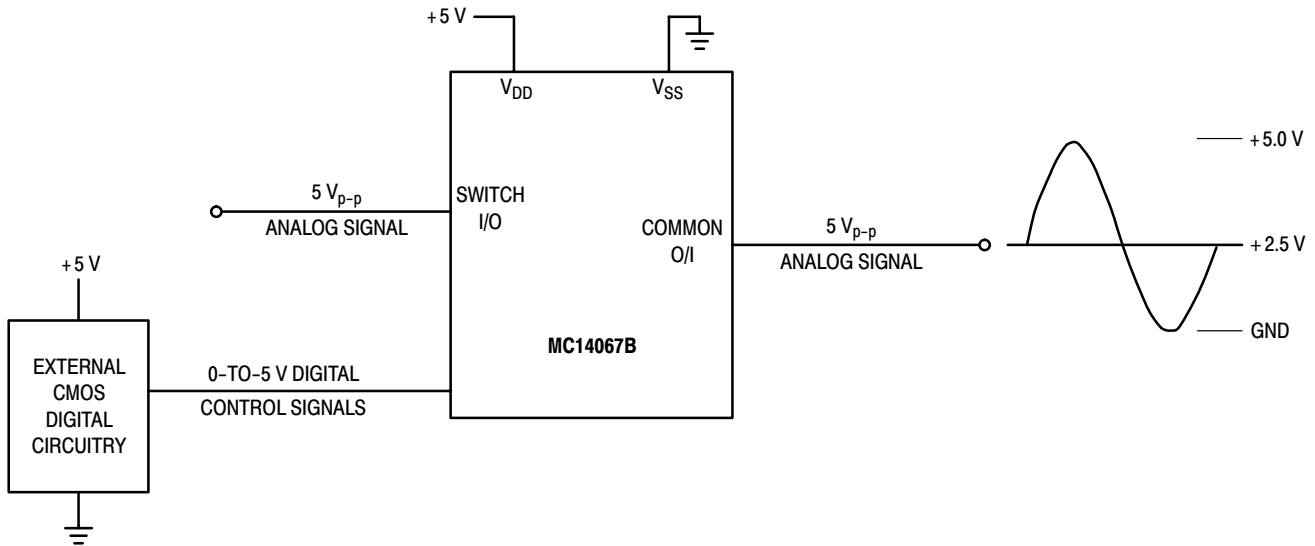


Figure A. Application Example

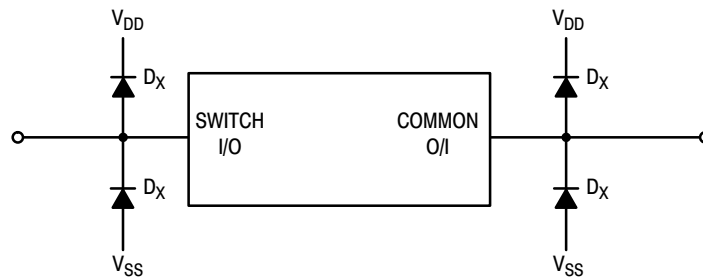


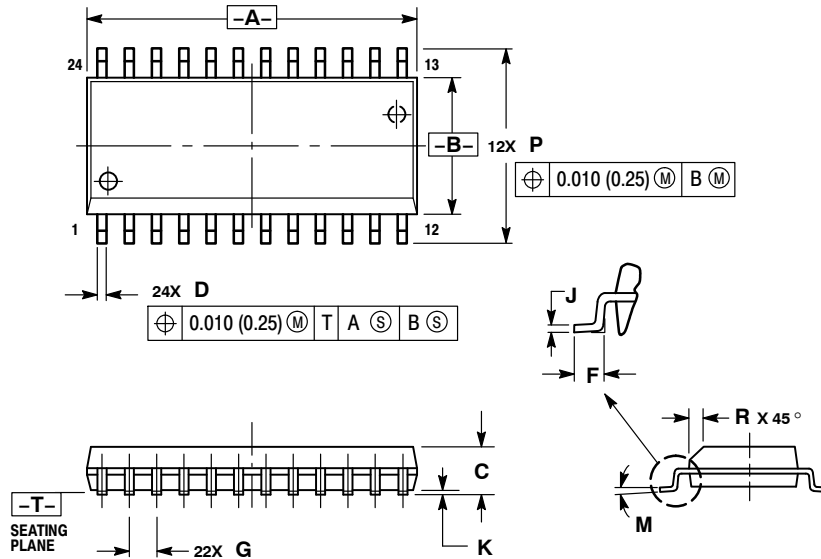
Figure B. External Germanium or Schottky Clipping Diodes



# MC14067B

## PACKAGE DIMENSIONS

SOIC-24  
DW SUFFIX  
CASE 751E-04  
ISSUE E



### NOTES:

1. DIMENSIONING AND TOLERANCING PER ANSI Y14.5M, 1982.
2. CONTROLLING DIMENSION: MILLIMETER.
3. DIMENSIONS A AND B DO NOT INCLUDE MOLD PROTRUSION.
4. MAXIMUM MOLD PROTRUSION 0.15 (0.006) PER SIDE.
5. DIMENSION D DOES NOT INCLUDE DAMBAR PROTRUSION. ALLOWABLE DAMBAR PROTRUSION SHALL BE 0.13 (0.005) TOTAL IN EXCESS OF D DIMENSION AT MAXIMUM MATERIAL CONDITION.

DIM	MILLIMETERS		INCHES	
	MIN	MAX	MIN	MAX
A	15.25	15.54	0.601	0.612
B	7.40	7.60	0.292	0.299
C	2.35	2.65	0.093	0.104
D	0.35	0.49	0.014	0.019
F	0.41	0.90	0.016	0.035
G	1.27 BSC		0.050 BSC	
J	0.23	0.32	0.009	0.013
K	0.13	0.29	0.005	0.011
M	0° - 8°		0° - 8°	
P	10.05	10.55	0.395	0.415
R	0.25	0.75	0.010	0.029

ON Semiconductor and are registered trademarks of Semiconductor Components Industries, LLC (SCILLC). SCILLC reserves the right to make changes without further notice to any products herein. SCILLC makes no warranty, representation or guarantee regarding the suitability of its products for any particular purpose, nor does SCILLC assume any liability arising out of the application or use of any product or circuit, and specifically disclaims any and all liability, including without limitation special, consequential or incidental damages. "Typical" parameters which may be provided in SCILLC data sheets and/or specifications can and do vary in different applications and actual performance may vary over time. All operating parameters, including "Typicals" must be validated for each customer application by customer's technical experts. SCILLC does not convey any license under its patent rights nor the rights of others. SCILLC products are not designed, intended, or authorized for use as components in systems intended for surgical implant into the body, or other applications intended to support or sustain life, or for any other application in which the failure of the SCILLC product could create a situation where personal injury or death may occur. Should Buyer purchase or use SCILLC products for any such unintended or unauthorized application, Buyer shall indemnify and hold SCILLC and its officers, employees, subsidiaries, affiliates, and distributors harmless against all claims, costs, damages, and expenses, and reasonable attorney fees arising out of, directly or indirectly, any claim of personal injury or death associated with such unintended or unauthorized use, even if such claim alleges that SCILLC was negligent regarding the design or manufacture of the part. SCILLC is an Equal Opportunity/Affirmative Action Employer. This literature is subject to all applicable copyright laws and is not for resale in any manner.

### PUBLICATION ORDERING INFORMATION

**LITERATURE FULFILLMENT:**  
Literature Distribution Center for ON Semiconductor  
P.O. Box 5163, Denver, Colorado 80217 USA  
**Phone:** 303-675-2175 or 800-344-3860 Toll Free USA/Canada  
**Fax:** 303-675-2176 or 800-344-3867 Toll Free USA/Canada  
**Email:** orderlit@onsemi.com

**N. American Technical Support:** 800-282-9855 Toll Free  
USA/Canada  
**Europe, Middle East and Africa Technical Support:**  
Phone: 421 33 790 2910  
**Japan Customer Focus Center**  
Phone: 81-3-5773-3850

**ON Semiconductor Website:** [www.onsemi.com](http://www.onsemi.com)  
**Order Literature:** <http://www.onsemi.com/orderlit>

For additional information, please contact your local Sales Representative



Компания «ЭлектроПласт» предлагает заключение долгосрочных отношений при поставках импортных электронных компонентов на взаимовыгодных условиях!

Наши преимущества:

- Оперативные поставки широкого спектра электронных компонентов отечественного и импортного производства напрямую от производителей и с крупнейших мировых складов;
- Поставка более 17-ти миллионов наименований электронных компонентов;
- Поставка сложных, дефицитных, либо снятых с производства позиций;
- Оперативные сроки поставки под заказ (от 5 рабочих дней);
- Экспресс доставка в любую точку России;
- Техническая поддержка проекта, помощь в подборе аналогов, поставка прототипов;
- Система менеджмента качества сертифицирована по Международному стандарту ISO 9001;
- Лицензия ФСБ на осуществление работ с использованием сведений, составляющих государственную тайну;
- Поставка специализированных компонентов (Xilinx, Altera, Analog Devices, Intersil, Interpoint, Microsemi, Aeroflex, Peregrine, Syfer, Eurofarad, Texas Instrument, Miteq, Cobham, E2V, MA-COM, Hittite, Mini-Circuits, General Dynamics и др.);

Помимо этого, одним из направлений компании «ЭлектроПласт» является направление «Источники питания». Мы предлагаем Вам помощь Конструкторского отдела:

- Подбор оптимального решения, техническое обоснование при выборе компонента;
- Подбор аналогов;
- Консультации по применению компонента;
- Поставка образцов и прототипов;
- Техническая поддержка проекта;
- Защита от снятия компонента с производства.



#### Как с нами связаться

**Телефон:** 8 (812) 309 58 32 (многоканальный)

**Факс:** 8 (812) 320-02-42

**Электронная почта:** [org@eplast1.ru](mailto:org@eplast1.ru)

**Адрес:** 198099, г. Санкт-Петербург, ул. Калинина, дом 2, корпус 4, литера А.