

# MAX34460

## PMBus 12-Channel Voltage Monitor and Sequencer

### General Description

The MAX34460 is a system monitor that is capable of managing up to 12 power supplies. The power-supply manager monitors the power-supply output voltages and constantly checks for user-programmable overvoltage and undervoltage thresholds. If a fault is detected, the device automatically shuts down the system in an orderly fashion. The device can sequence the supplies in any order at both power-up and power-down. With the addition of external current DACs, the device has the ability to close-loop margin the power-supply output voltages up or down to a user-programmable level. The device contains an internal temperature sensor and can support up to four external remote temperature sensors. Once configured, the device can operate autonomously without any host intervention.

### Applications

Network Switches/Routers  
Base Stations  
Servers  
Smart Grid Network Systems

*Ordering Information and Typical Operating Circuit appear at end of data sheet.*

### Features

- ◆ 12 Channels of Power-Supply Management
- ◆ Power-Supply Voltage Measurement and Monitoring
- ◆ Fast Minimum/Maximum Threshold Excursion Detection
- ◆ Remote Ground Sensing Improves Measurement Accuracy
- ◆ Automatic Closed-Loop Margining
- ◆ Programmable Up and Down Time-Based or Event-Based Sequencing
- ◆ Supports Dual-Sequencing Groups
- ◆ Supports Up to Five Temperature Sensors (One Internal/Four Remote)
- ◆ Fault Detection on All Temperature Sensors
- ◆ Programmable Alarm Outputs
- ◆ Reports Peak and Average Levels for a Number of Parameters
- ◆ Watchdog Timer Function
- ◆ PMBus™-Compliant Command Interface
- ◆ I<sup>2</sup>C/SMBus-Compatible Serial Bus with Bus Timeout Function
- ◆ On-Board Nonvolatile Black Box Fault Logging and Default Configuration Setting
- ◆ Expandable Channel Operation with Parallel Devices
- ◆ Up to 20 GPOs
- ◆ No External Clocking Required
- ◆ 3.0V to 3.6V Supply Voltage

*PMBus is a trademark of SMIF, Inc.*

*For related parts and recommended products to use with this part, refer to: [www.maximintegrated.com/MAX34460.related](http://www.maximintegrated.com/MAX34460.related)*

**For pricing, delivery, and ordering information, please contact Maxim Direct at 1-888-629-4642, or visit Maxim's website at [www.maximintegrated.com](http://www.maximintegrated.com).**

**PMBus 12-Channel Voltage Monitor and Sequencer**

---

**TABLE OF CONTENTS**

---

General Description . . . . .	1
Applications . . . . .	1
Features . . . . .	1
Absolute Maximum Ratings . . . . .	8
Recommended Operating Conditions . . . . .	8
Electrical Characteristics . . . . .	8
I <sup>2</sup> C/SMBus Interface Electrical Specifications . . . . .	10
I <sup>2</sup> C/SMBus Timing . . . . .	10
Typical Operating Characteristics . . . . .	11
Pin Configuration . . . . .	13
Pin Description . . . . .	13
Expanded Pin Description . . . . .	15
Block Diagram . . . . .	16
Detailed Description . . . . .	16
Address Select . . . . .	19
SMBus/PMBus Operation . . . . .	19
SMBus/PMBus Communication Examples . . . . .	20
Group Command . . . . .	21
Group Command Write Format . . . . .	21
Addressing . . . . .	21
ALERT and Alert Response Address (ARA) . . . . .	21
Alert Response Address (ARA) Byte Format . . . . .	22
Host Sends or Reads Too Few Bits . . . . .	22
Host Sends or Reads Too Few Bytes . . . . .	22
Host Sends Too Many Bytes or Bits . . . . .	22
Host Reads Too Many Bytes or Bits . . . . .	22
Host Sends Improperly Set Read Bit in the Slave Address Byte . . . . .	22
Unsupported Command Code Received/Host Writes to a Read-Only Command . . . . .	22
Invalid Data Received . . . . .	22
Host Reads from a Write-Only Command . . . . .	23
Host Writes to a Read-Only Command . . . . .	23
SMBus Timeout . . . . .	23
PMBus Operation . . . . .	23
PMBus Protocol Support . . . . .	23
Data Format . . . . .	23
Interpreting Received DIRECT Format Values . . . . .	23

**PMBus 12-Channel Voltage Monitor and Sequencer****TABLE OF CONTENTS (continued)**

Sending a DIRECT Format Value . . . . .	24
Fault Management and Reporting . . . . .	25
Password Protection . . . . .	25
Sequencing . . . . .	25
PMBus-Defined Time-Based Sequencing . . . . .	26
Timeslot-Defined Event-Based Sequencing . . . . .	27
Dual-Sequencing Groups . . . . .	28
Multiple Device Connections . . . . .	28
System Watchdog Timer . . . . .	29
CRC Memory Check . . . . .	29
Alarm Outputs . . . . .	29
$\overline{\text{FAULT}}$ and $\overline{\text{FAULT2}}$ Input/Output Pins . . . . .	29
$\overline{\text{MONOFF}}$ Disable Monitoring Control Input . . . . .	30
External Signal Watchdog . . . . .	30
PMBus Commands . . . . .	32
PAGE (00h) . . . . .	32
OPERATION (01h) . . . . .	33
Special OPERATION Commands for Dual-Sequencing Mode . . . . .	34
ON_OFF_CONFIG (02h) . . . . .	34
CLEAR_FAULTS (03h) . . . . .	35
WRITE_PROTECT (10h) . . . . .	35
STORE_DEFAULT_ALL (11h) . . . . .	35
MFR_STORE_SINGLE (FCh) . . . . .	35
RESTORE_DEFAULT_ALL (12h) . . . . .	36
CAPABILITY (19h) . . . . .	36
VOUT_MODE (20h) . . . . .	36
VOUT_MARGIN_HIGH (25h) . . . . .	36
VOUT_MARGIN_LOW (26h) . . . . .	36
VOUT_SCALE_MONITOR (2Ah) . . . . .	37
VOUT_OV_FAULT_LIMIT (40h) . . . . .	38
VOUT_OV_WARN_LIMIT (42h) . . . . .	38
VOUT_UV_WARN_LIMIT (43h) . . . . .	38
VOUT_UV_FAULT_LIMIT (44h) . . . . .	38
OT_FAULT_LIMIT (4Fh) . . . . .	38
OT_WARN_LIMIT (51h) . . . . .	39
POWER_GOOD_ON (5Eh) . . . . .	39

**PMBus 12-Channel Voltage Monitor and Sequencer**

---

**TABLE OF CONTENTS (continued)**

---

POWER_GOOD_OFF (5Fh) .....	39
TON_DELAY (60h) .....	39
TOFF_DELAY (64h) .....	39
TON_MAX_FAULT_LIMIT (62h) .....	40
STATUS_WORD (79h) .....	43
STATUS_VOUT (7Ah) .....	43
STATUS_TEMPERATURE (7Dh) .....	44
STATUS_CML (7Eh) .....	44
STATUS_MFR_SPECIFIC (80h) .....	45
READ_VOUT (8Bh) .....	45
READ_TEMPERATURE_1 (8Dh) .....	46
PMBUS_REVISION (98h) .....	46
MFR_ID (99h) .....	46
MFR_MODEL (9Ah) .....	46
MFR_REVISION (9Bh) .....	46
MFR_LOCATION (9Ch) .....	46
MFR_DATE (9Dh) .....	46
MFR_SERIAL (9Eh) .....	46
MFR_MODE (D1h) .....	46
MFR_PSEN_CONFIG (D2h) .....	48
MFR_SEQ_TIMESLOT (D3h) .....	49
MFR_VOUT_PEAK (D4h) .....	49
MFR_TEMPERATURE_PEAK (D6h) .....	49
MFR_VOUT_MIN (D7h) .....	49
MFR_TEMPERATURE_AVG (E3h) .....	49
MFR_NV_LOG_CONFIG (D8h) .....	50
MFR_FAULT_RESPONSE (D9h) .....	51
LOCAL vs. GLOBAL Channels .....	51
Fault Detection Before PSEnN Assertion .....	51
Logging Faults into MFR_NV_FAULT_LOG .....	53
Power-Supply Retry with Undervoltage Faults .....	55
MFR_FAULT_RETRY (DAh) .....	55
MFR_PG_DELAY (DBh) .....	55
MFR_NV_FAULT_LOG (DCh) .....	55
MFR_TIME_COUNT (DDh) .....	57
MFR_MARGIN_CONFIG (DFh) .....	58

**PMBus 12-Channel Voltage Monitor and Sequencer**

---

**TABLE OF CONTENTS (continued)**

---

Margining Faults . . . . .	59
DAC Margining Component Selection . . . . .	59
Temperature-Sensor Operation . . . . .	59
MFR_TEMP_SENSOR_CONFIG (F0h) . . . . .	60
MFR_GPO_CONFIG (FBh) . . . . .	60
MFR_WATCHDOG_CONFIG (FDh) . . . . .	61
Applications Information . . . . .	61
V <sub>DD</sub> , V <sub>DDA</sub> , and REG18 Decoupling . . . . .	61
Open-Drain Pins . . . . .	61
Keep-Alive Circuit . . . . .	61
Configuration Port . . . . .	62
Resistor-Dividers and Source Impedance for R <sub>Sn</sub> Inputs . . . . .	62
Current Measurement on R <sub>Sn</sub> Inputs . . . . .	62
Exposed Pad Grounding . . . . .	62
Typical Operating Circuit . . . . .	63
Ordering Information . . . . .	64
Package Information . . . . .	64
Revision History . . . . .	65

**PMBus 12-Channel Voltage Monitor and Sequencer****LIST OF FIGURES**

Figure 1. PMBus-Defined Time-Based Sequencing Example . . . . .	26
Figure 2. Timeslot-Defined Event-Based Sequencing Example . . . . .	27
Figure 3. Multiple Device Hardware Connections . . . . .	28
Figure 4. External Watchdog Operation . . . . .	31
Figure 5. Sequencing Configurations . . . . .	41
Figure 6. Status Register Organization . . . . .	42
Figure 7. MFR_FAULT_RESPONSE Operation . . . . .	52
Figure 8. MFR_NV_FAULT_LOG . . . . .	55
Figure 9. DAC Margining Circuit . . . . .	59
Figure 10. Current-Measuring Circuit . . . . .	62

**LIST OF TABLES**

Table 1. PMBus Command Codes . . . . .	17
Table 2. PMBus/SMBus Serial-Port Address . . . . .	19
Table 3. PMBus Command Code Coefficients . . . . .	24
Table 4. Coefficients for DIRECT Format Value . . . . .	24
Table 5. Dual-Sequencing Groups . . . . .	28
Table 6. Device Configuration Quick Reference . . . . .	29
Table 7. GPO Pins . . . . .	29
Table 8. PAGE Commands . . . . .	32
Table 9. OPERATION Command Byte (When Bit 3 of ON_OFF_CONFIG = 1) . . . . .	33
Table 10. OPERATION Command Byte (When Bit 3 of ON_OFF_CONFIG = 0) . . . . .	33
Table 11. Special OPERATION Command Bytes for Primary Sequence . . . . .	34
Table 12. Special OPERATION Command Bytes for Secondary Sequence . . . . .	34
Table 13. ON_OFF_CONFIG (02h) Command Byte . . . . .	34
Table 14. WRITE_PROTECT Command Byte . . . . .	35
Table 15. CAPABILITY Command Byte . . . . .	36
Table 16. VOUT_SCALE_MONITOR Examples . . . . .	37
Table 17. Parametric Monitoring States . . . . .	37
Table 18. TON_MAX_FAULT_LIMIT Device Response . . . . .	40
Table 19. STATUS_WORD . . . . .	43
Table 20. STATUS_VOUT . . . . .	43
Table 21. STATUS_TEMPERATURE . . . . .	44
Table 22. STATUS_CML . . . . .	44
Table 23. STATUS_MFR_SPECIFIC (for PAGES 0–11) . . . . .	45

**PMBus 12-Channel Voltage Monitor and Sequencer**

---

**LIST OF TABLES (continued)**

---

Table 24. STATUS_MFR_SPECIFIC (for PAGE 255) . . . . .	45
Table 25. MFR_MODE . . . . .	47
Table 26. PSEn Configuration . . . . .	48
Table 27. MFR_PSEN_CONFIG . . . . .	48
Table 28. MFR_SEQ_TIMESLOT . . . . .	49
Table 29. MFR_NV_LOG_CONFIG . . . . .	50
Table 30. MFR_FAULT_RESPONSE (Note 1) . . . . .	51
Table 31. ALARM_CONFIG Codes . . . . .	53
Table 32. MFR_FAULT_RESPONSE Codes for GLOBAL Channels . . . . .	54
Table 33. MFR_FAULT_RESPONSE Codes for LOCAL Channels . . . . .	54
Table 34. MFR_NV_FAULT_LOG . . . . .	56
Table 35. MFR_MARGIN_CONFIG . . . . .	58
Table 36. Power-Supply Margining with DS4424 DAC outputs . . . . .	58
Table 37. DS75LV Address Pin Configuration . . . . .	59
Table 38. MFR_TEMP_SENSOR_CONFIG . . . . .	60
Table 39. MFR_GPO_CONFIG . . . . .	60
Table 40. MFR_WATCHDOG_CONFIG . . . . .	61
Table 41. Scale Current-Gain Example . . . . .	62

# MAX34460

## PMBus 12-Channel Voltage Monitor and Sequencer

### ABSOLUTE MAXIMUM RATINGS

$V_{DD}$  and  $V_{DDA}$  to  $V_{SS}$  ..... -0.3V to +4.0V  
 RSG0 and RSG1 to  $V_{SS}$  ..... -0.3V to +0.3V  
 All Other Pins Except REG18  
   Relative to  $V_{SS}$  ..... -0.3V to ( $V_{DD} + 0.3V$ )\*  
 REG18 to  $V_{SS}$  ..... -0.3V to +2.0V

Continuous Power Dissipation ( $T_A = +70^\circ\text{C}$ )  
   TQFN (derate 26.3mW/ $^\circ\text{C}$  above  $+70^\circ\text{C}$ ) ..... 2105.3mW  
 Operating Temperature Range .....  $-40^\circ\text{C}$  to  $+85^\circ\text{C}$   
 Storage Temperature Range .....  $-55^\circ\text{C}$  to  $+125^\circ\text{C}$   
 Lead Temperature (soldering, 10s) .....  $+260^\circ\text{C}$   
 Soldering Temperature (reflow) .....  $+260^\circ\text{C}$

\*Subject to not exceeding +4.0V.

Stresses beyond those listed under "Absolute Maximum Ratings" may cause permanent damage to the device. These are stress ratings only, and functional operation of the device at these or any other conditions beyond those indicated in the operational sections of the specifications is not implied. Exposure to absolute maximum rating conditions for extended periods may affect device reliability.

### RECOMMENDED OPERATING CONDITIONS

( $T_A = -40^\circ\text{C}$  to  $+85^\circ\text{C}$ , unless otherwise noted.)

PARAMETER	SYMBOL	CONDITIONS	MIN	TYP	MAX	UNITS
$V_{DD}$ Operating Voltage Range	$V_{DD}$	(Note 1)	3.0		3.6	V
Input Logic 1 (Except I <sup>2</sup> C Pins)	$V_{IH1}$		0.7 x $V_{DD}$		$V_{DD} + 0.3$	V
Input Logic 0 (Except I <sup>2</sup> C Pins)	$V_{IL1}$		-0.3		+0.3 x $V_{DD}$	V
Input Logic 1: SCL, SDA, MSCL, MSDA	$V_{IH2}$		2.1		$V_{DD} + 0.3$	V
Input Logic 0: SCL, SDA, MSCL, MSDA	$V_{IL2}$		-0.3		+0.8	V
Source Impedance to RS		ADC_TIME[1:0] = 00			1	k $\Omega$
		ADC_TIME[1:0] = 01			5	
		ADC_TIME[1:0] = 10			10	
		ADC_TIME[1:0] = 11			20	

### ELECTRICAL CHARACTERISTICS

( $V_{DD}$  and  $V_{DDA} = 3.0V$  to  $3.6V$ ,  $T_A = -40^\circ\text{C}$  to  $+85^\circ\text{C}$ , unless otherwise noted. Typical values are at  $V_{DD}/V_{DDA} = 3.3V$ ,  $T_A = +25^\circ\text{C}$ .)

PARAMETER	SYMBOL	CONDITIONS	MIN	TYP	MAX	UNITS
<b>GENERAL</b>						
Supply Current	$I_{CPU}$	(Note 2)		12		mA
	$I_{PROGRAM}$			18		
System Clock Error	$f_{ERR:MOSC}$	$+25^\circ\text{C} < T_A < +85^\circ\text{C}$	-3		+3	%
		$-40^\circ\text{C} < T_A < +25^\circ\text{C}$	-4		+4	
Output Logic-Low (Except I <sup>2</sup> C Pins)	$V_{OL1}$	$I_{OL} = 4\text{mA}$ (Note 1)			0.4	V
Output Logic-High (Except I <sup>2</sup> C Pins)	$V_{OH1}$	$I_{OH} = -2\text{mA}$ (Note 1)	$V_{DD} - 0.5$			V



# MAX34460

## PMBus 12-Channel Voltage Monitor and Sequencer

### ELECTRICAL CHARACTERISTICS (continued)

( $V_{DD}$  and  $V_{DDA}$  = 3.0V to 3.6V,  $T_A$  = -40°C to +85°C, unless otherwise noted. Typical values are at  $V_{DD}/V_{DDA}$  = 3.3V,  $T_A$  = +25°C.)

PARAMETER	SYMBOL	CONDITIONS	MIN	TYP	MAX	UNITS
Output Logic-Low SCL, SDA, MSCL, MSDA	$V_{OL2}$	$I_{OL} = 4\text{mA}$ (Note 1)			0.4	V
SCL, SDA, MSCL, MSDA Leakage	$I_{L12C}$	$V_{DD} = 0\text{V}$ or unconnected			±5	μA
CONTROL Threshold				2.048		V
CONTROL Hysteresis				50		mV
<b>ADC</b>						
ADC Bit Resolution				12		Bits
ADC Conversion Time		ADC_TIME[1:0] = 00		1000		ns
ADC Full Scale	$V_{FS}$	$T_A = 0^\circ\text{C}$ to +85°C	2.032	2.048	2.064	V
ADC Measurement Resolution	$V_{LSB}$			500		μV
RS Input Capacitance	$C_{RS}$			15		pF
RS Input Leakage	$I_{LRS}$			±0.25		μA
ADC Integral Nonlinearity	INL			±1		LSB
ADC Differential Nonlinearity	DNL			±1		LSB
<b>TEMPERATURE SENSOR</b>						
Internal Temperature- Measurement Error		$T_A = -40^\circ\text{C}$ to +85°C		±2		°C
<b>FLASH</b>						
Flash Endurance	$N_{FLASH}$		20,000			Write Cycles
Data Retention		$T_A = +50^\circ\text{C}$	100			Years
STORE_DEFAULT_ALL Write Time				70		ms
MFR_STORE_SINGLE Write Time				310		μs
RESTORE_DEFAULT_All Time				70		ms
MFR_NV_FAULT_LOG Write Time		Writing 1 fault log		11		ms
MFR_NV_FAULT_LOG Delete Time		Deleting all fault logs		200		ms
MFR_NV_FAULT_LOG Overwrite Time				40		ms
<b>TIMING OPERATING CHARACTERISTICS</b>						
Voltage Sample Rate		Threshold excursion (Note 3)		48		μs
		Data collection		5		ms
Temperature Sample Rate				1000		ms
Device Startup Time				135		ms

## PMBus 12-Channel Voltage Monitor and Sequencer

### I<sup>2</sup>C/SMBus INTERFACE ELECTRICAL SPECIFICATIONS

(V<sub>DD</sub> and V<sub>DDA</sub> = 3.0V to 3.6V, T<sub>A</sub> = -40°C to +85°C, unless otherwise noted. Typical values are at V<sub>DD</sub>/V<sub>DDA</sub> = 3.3V, T<sub>A</sub> = +25°C.)

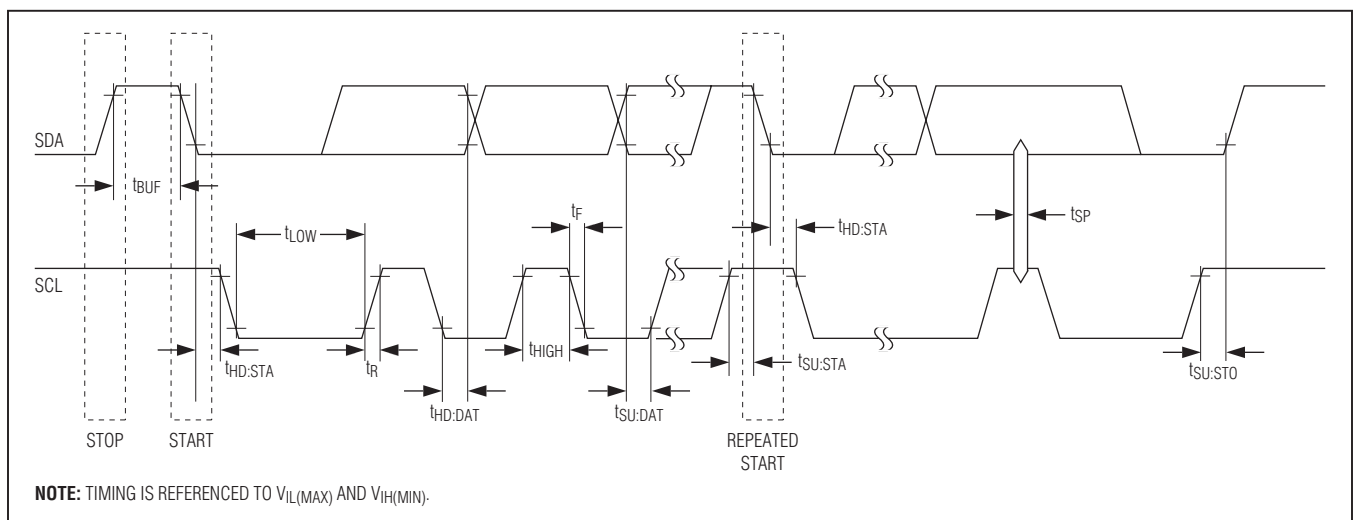
PARAMETER	SYMBOL	CONDITIONS	MIN	TYP	MAX	UNITS
SCL Clock Frequency	f <sub>SCL</sub>		10		400	kHz
MSCL Clock Frequency	f <sub>MSCL</sub>			100		kHz
Bus Free Time Between STOP and START Conditions	t <sub>BUF</sub>		1.3			μs
Hold Time (Repeated) START Condition	t <sub>HD:STA</sub>		0.6			μs
Low Period of SCL	t <sub>LOW</sub>		1.3			μs
High Period of SCL	t <sub>HIGH</sub>		0.6			μs
Data Hold Time	t <sub>HD:DAT</sub>	Receive	0			ns
		Transmit	300			ns
Data Setup Time	t <sub>SU:DAT</sub>		100			ns
Start Setup Time	t <sub>SU:STA</sub>		0.6			μs
SDA and SCL Rise Time	t <sub>R</sub>				300	ns
SDA and SCL Fall Time	t <sub>F</sub>				300	ns
Stop Setup Time	t <sub>SU:STO</sub>		0.6			μs
Clock Low Time Out	t <sub>TO</sub>		25	27	35	ms

**Note 1:** All voltages are referenced to ground. Current entering the device are specified as positive and currents exiting the device are negative.

**Note 2:** This does not include pin input/output currents.

**Note 3:** The round-robin threshold excursion rate can be changed with the ADC\_AVERAGE and ADC\_TIME bits in MFR\_MODE from 12μs (no averaging and 1μs conversion) to 768μs (8x averaging and 8μs conversion).

### I<sup>2</sup>C/SMBus Timing

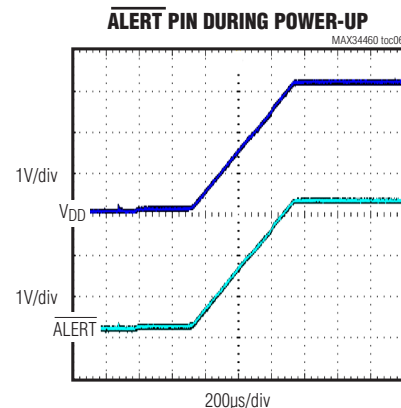
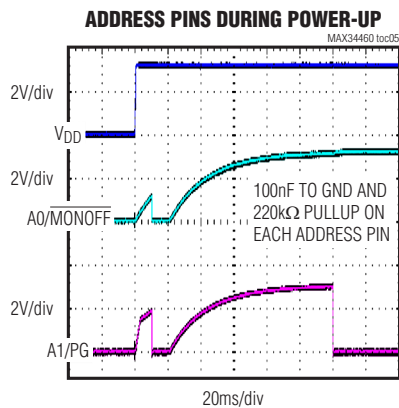
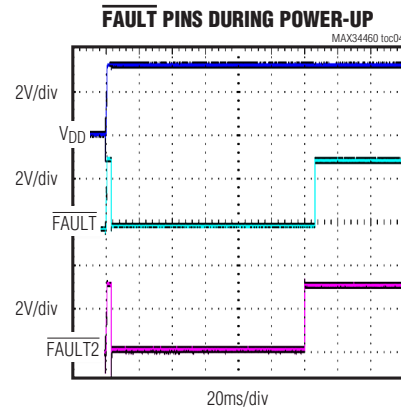
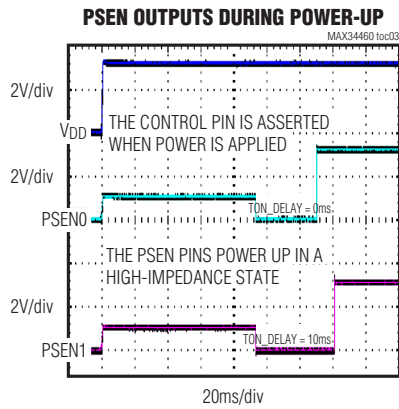
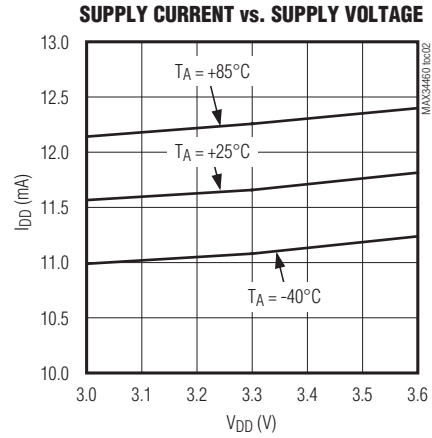
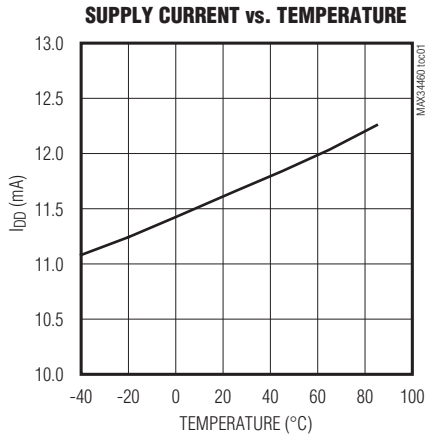


# MAX34460

## PMBus 12-Channel Voltage Monitor and Sequencer

### Typical Operating Characteristics

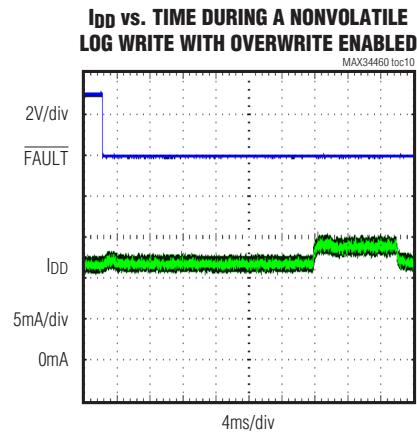
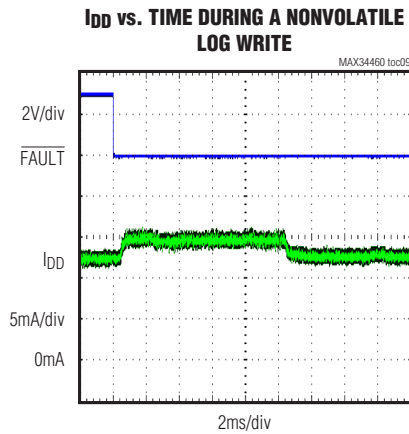
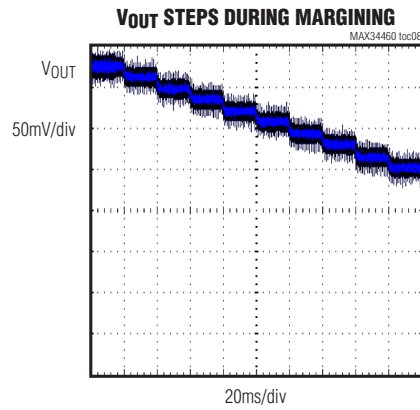
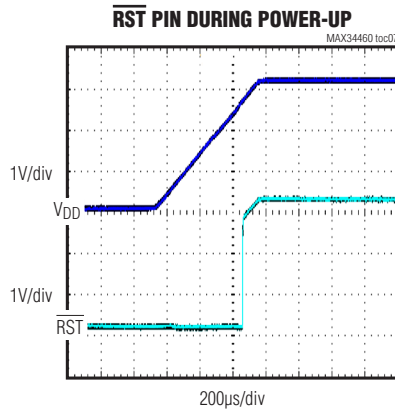
( $V_{DD} = 3.3V$  and  $T_A = +25^\circ C$ , unless otherwise noted.)



## PMBus 12-Channel Voltage Monitor and Sequencer

### Typical Operating Characteristics (continued)

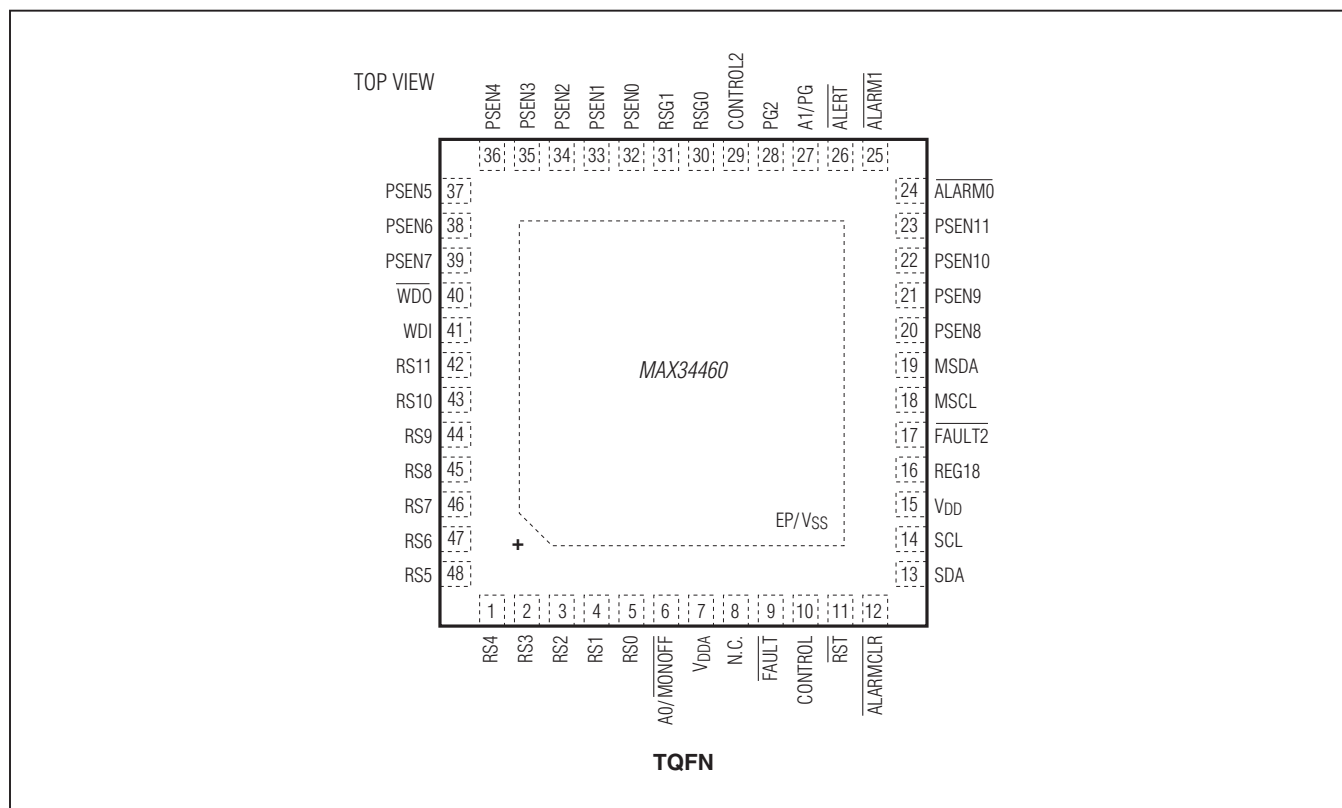
( $V_{DD} = 3.3V$  and  $T_A = +25^\circ C$ , unless otherwise noted.)



# MAX34460

## PMBus 12-Channel Voltage Monitor and Sequencer

### Pin Configuration



### Pin Description

PIN*	NAME	TYPE**	FUNCTION
1	RS4	AI	ADC Voltage-Sense Input 4. Connect to $V_{SS}$ if unused.
2	RS3	AI	ADC Voltage-Sense Input 3. Connect to $V_{SS}$ if unused.
3	RS2	AI	ADC Voltage-Sense Input 2. Connect to $V_{SS}$ if unused.
4	RS1	AI	ADC Voltage-Sense Input 1. Connect to $V_{SS}$ if unused.
5	RS0	AI	ADC Voltage-Sense Input 0. Connect to $V_{SS}$ if unused.
6	$\overline{A0/MONOFF}$	DI	SMBus Address 0 Input/Active-Low Monitoring Off Input. This dual-function pin is sampled on device power-up to determine the SMBus address. After device power-up, this pin becomes an input, with an internal pullup, that when pulled low defeats the overvoltage and undervoltage monitoring to allow an external device to margin the power supplies.
7	$V_{DDA}$	Power	Analog Supply Voltage. Bypass $V_{DDA}$ to $V_{SS}$ with 0.1 $\mu$ F. Connect to $V_{DD}$ .
8	N.C.	—	No Connection. Do not connect any signal to this pin.
9	$\overline{FAULT}$	DIO	Active-Low Fault Input/Output for the Primary Sequence. See the <i>Expanded Pin Description</i> section for more details.

## PMBus 12-Channel Voltage Monitor and Sequencer

### Pin Description (continued)

PIN*	NAME	TYPE**	FUNCTION
10	CONTROL	AI	Power-Supply Master On/Off Control for the Primary Sequence. Active low or active high based on the ON_OFF_CONFIG command.
11	RST	DIO	Active-Low Reset Input/Output. Contains an internal pullup.
12	ALARMCLR	DI	Active-Low Alarm Clear Input with a Weak Pullup. Toggle low to clear the $\overline{\text{ALARM0}}$ / $\overline{\text{ALARM1}}$ outputs. Leave open circuit or connect high if not used.
13	SDA	DIO	I <sup>2</sup> C/SMBus-Compatible Input/Open-Drain Output
14	SCL	DIO	I <sup>2</sup> C/SMBus-Compatible Clock Input/Open-Drain Output
15	V <sub>DD</sub>	Power	Digital Supply Voltage. Bypass V <sub>DD</sub> to V <sub>SS</sub> with 0.1μF. Connect to V <sub>DDA</sub> .
16	REG18	Power	Regulator for Digital Circuitry. Bypass to V <sub>SS</sub> with 1μF and 10nF (500mΩ maximum ESR). Do not connect other circuitry to this pin.
17	FAULT2	DIO	Active-Low Fault Input/Output for the Secondary Sequence. See the <i>Expanded Pin Description</i> section for more details.
18	MSCL	DIO	Master I <sup>2</sup> C Clock Input/Open-Drain Output
19	MSDA	DIO	Master I <sup>2</sup> C Data Input/Open-Drain Output
20	PSEN8	DO	Power-Supply Enable Output 8. See the <i>Expanded Pin Description</i> section for more details.
21	PSEN9	DO	Power-Supply Enable Output 9. See the <i>Expanded Pin Description</i> section for more details.
22	PSEN10	DO	Power-Supply Enable Output 10. See the <i>Expanded Pin Description</i> section for more details.
23	PSEN11	DO	Power-Supply Enable Output 11. See the <i>Expanded Pin Description</i> section for more details.
24	$\overline{\text{ALARM0}}$	DO	Active-Low Alarm Output 0. See the <i>Expanded Pin Description</i> section for more details.
25	$\overline{\text{ALARM1}}$	DO	Active-Low Alarm Output 1. See the <i>Expanded Pin Description</i> section for more details.
26	$\overline{\text{ALERT}}$	DO	Active-Low, Open-Drain Alert Output
27	A1/PG	DIO	SMBus Address 1 Input/Power-Good Output for the Primary Sequence. This dual-function pin is sampled on device power-up to determine the SMBus address. After device power-up, this pin becomes an output that transitions high when all the enabled power supplies are above their associated POWER_GOOD_ON thresholds. This pin is forced low immediately when the CONTROL pin goes inactive or the OPERATION off command is received. This pin contains a weak pullup during device reset.
28	PG2	DO	Power Good for the Secondary Sequence
29	CONTROL2	DI	Power-Supply Master On/Off Control for the Secondary Sequence. Active low or active high based on the ON_OFF_CONFIG command.
30	RSG0	AI	Remote-Sense Ground for RS0–RS3.
31	RSG1	AI	Remote-Sense Ground for RS4–RS11.
32	PSEN0	DO	Power-Supply Enable Output 0. See the <i>Expanded Pin Description</i> section for more details.
33	PSEN1	DO	Power-Supply Enable Output 1. See the <i>Expanded Pin Description</i> section for more details.
34	PSEN2	DO	Power-Supply Enable Output 2. See the <i>Expanded Pin Description</i> section for more details.
35	PSEN3	DO	Power-Supply Enable Output 3. See the <i>Expanded Pin Description</i> section for more details.
36	PSEN4	DO	Power-Supply Enable Output 4. See the <i>Expanded Pin Description</i> section for more details.
37	PSEN5	DO	Power-Supply Enable Output 5. See the <i>Expanded Pin Description</i> section for more details.

## PMBus 12-Channel Voltage Monitor and Sequencer

### Pin Description (continued)

PIN*	NAME	TYPE**	FUNCTION
38	PSEN6	DO	Power-Supply Enable Output 6. See the <i>Expanded Pin Description</i> section for more details.
39	PSEN7	DO	Power-Supply Enable Output 7. See the <i>Expanded Pin Description</i> section for more details.
40	$\overline{\text{WDO}}$	DIO	Open-Drain, Active-Low Watchdog Input/Output. Can be configured with MFR_WATCHDOG_CONFIG as a manual reset input.
41	WDI	DI	Watchdog Input. Rising edge triggered.
42	RS11	AI	ADC Voltage-Sense Input 11. Connect to $V_{SS}$ if unused.
43	RS10	AI	ADC Voltage-Sense Input 10. Connect to $V_{SS}$ if unused.
44	RS9	AI	ADC Voltage-Sense Input 9. Connect to $V_{SS}$ if unused.
45	RS8	AI	ADC Voltage-Sense Input 8. Connect to $V_{SS}$ if unused.
46	RS7	AI	ADC Voltage-Sense Input 7. Connect to $V_{SS}$ if unused.
47	RS6	AI	ADC Voltage-Sense Input 6. Connect to $V_{SS}$ if unused.
48	RS5	AI	ADC Voltage-Sense Input 5. Connect to $V_{SS}$ if unused.
—	EP/ $V_{SS}$	Power	Exposed Pad (Bottom Side of Package). Must be connected to local ground. The exposed pad is the ground reference ( $V_{SS}$ ) for the entire device.

\*All pins except  $V_{DD}$ , EP/ $V_{SS}$ ,  $\overline{\text{ALERT}}$ , A1/PG, and REG18 are high impedance during device power-up and reset.

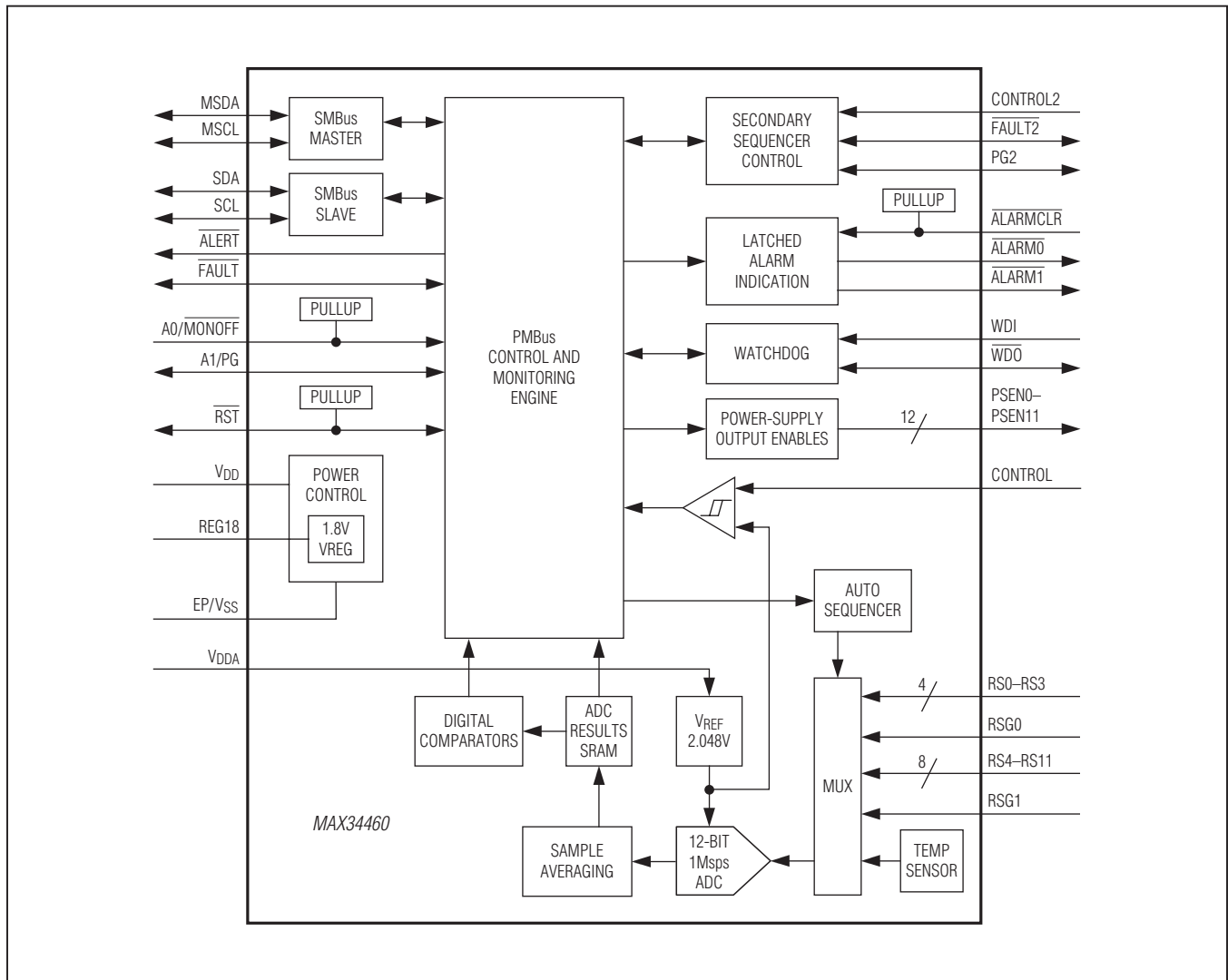
\*\*AI = Analog input, AO = Analog output; DI = Digital input; DIO = Digital input/output; DO = Digital output

### Expanded Pin Description

NAME	FUNCTION
PSEN0–PSEN11	The PSEN0–PSEN11 outputs are programmable with the MFR_PSEN_CONFIG command for either active-high or active-low operation and can be either open-drain or push-pull. If not used for power-supply enables, these outputs can be repurposed as general-purpose outputs using the MFR_PSEN_CONFIG command. If these pins are used to enable power supplies, it is <b>highly recommended</b> that these pins have external pullups or pulldowns to force the supplies into an off state when the device is not active.
$\overline{\text{FAULT}}$	Open-Drain, Active-Low Fault Input/Output. This pin is asserted when one or more of the power supplies in a global group are being shut down due to a fault condition. Also, this pin is monitored and when it is asserted, all power supplies in a global group are shut down. This pin is used to provide hardware control for power supplies in a global group across multiple devices. This output is unconditionally deasserted when $\overline{\text{RST}}$ is asserted or the device is power cycled. Upon reset, this output is pulled low until monitoring starts.
$\overline{\text{ALARM}}$	Open-Drain, Active-Low Alarm Output. The outputs can be configured with the MFR_FAULT_RESPONSE command to go active in any combination of channels for undervoltage or overvoltage, or sequencing faults or warnings. These outputs are latched until cleared with the $\overline{\text{ALARMCLR}}$ pin or the ALARM_CLR bit in MFR_MODE.

## PMBus 12-Channel Voltage Monitor and Sequencer

### Block Diagram



### Detailed Description

The MAX34460 is a highly integrated system monitor with functionality to monitor up to 12 power supplies. The device provides power-supply voltage monitoring and sequencing. It can also provide closed-loop margining control and local/remote thermal-sensing facilities.

The power-supply manager monitors the power-supply output voltage and constantly checks for user-programmable overvoltage and undervoltage thresholds. It also has the ability to margin the power-supply output voltage up or down by a user-programmable level. The margining is performed in a closed-loop arrangement, whereby the device automatically adjusts an external-current DAC



## PMBus 12-Channel Voltage Monitor and Sequencer

output and then measures the resultant output voltage. The power-supply manager can also sequence the supplies in any order at both power-up and power-down.

Thermal monitoring can be accomplished using up to five temperature sensors including an on-chip temperature sensor and up to four external remote DS75LV digital

temperature sensors. Communications with the DS75LV temperature sensors is conducted through a dedicated I<sup>2</sup>C/SMBus interface.

The device provides  $\overline{\text{ALERT}}$  and  $\overline{\text{FAULT}}$  output signals. Host communications are conducted through a PMBus-compatible communications port.

**Table 1. PMBus Command Codes**

CODE	COMMAND NAME	TYPE	PAGE 0–11	PAGE 13–17	PAGE 255	NO. OF BYTES	FLASH STORED/ LOCKED (NOTE 2)	DEFAULT VALUE (NOTE 2)
			(NOTE 1)					
00h	PAGE	R/W byte	R/W	R/W	R/W	1	N/N	00h
01h	OPERATION	R/W byte	R/W		W	1	N/N	00h
02h	ON_OFF_CONFIG	R/W byte	R/W	R/W	R/W	1	Y/Y	1Ah
03h	CLEAR_FAULTS	Send byte	W	W	W	0	N/N	—
10h	WRITE_PROTECT	R/W byte	R/W	R/W	R/W	1	N/Y	00h
11h	STORE_DEFAULT_ALL	Send byte	W	W	W	0	N/Y	—
12h	RESTORE_DEFAULT_ALL	Send byte	W	W	W	0	N/Y	—
19h	CAPABILITY	Read byte	R	R	R	1	N/N	20h/30h
20h	VOUT_MODE	Read byte	R	R	R	1	FIXED/N	40h
25h	VOUT_MARGIN_HIGH	R/W word	R/W	—	—	2	Y/Y	0000h
26h	VOUT_MARGIN_LOW	R/W word	R/W	—	—	2	Y/Y	0000h
2Ah	VOUT_SCALE_MONITOR	R/W word	R/W	—	—	2	Y/Y	7FFFh
40h	VOUT_OV_FAULT_LIMIT	R/W word	R/W	—	—	2	Y/Y	7FFFh
42h	VOUT_OV_WARN_LIMIT	R/W word	R/W	—	—	2	Y/Y	7FFFh
43h	VOUT_UV_WARN_LIMIT	R/W word	R/W	—	—	2	Y/Y	0000h
44h	VOUT_UV_FAULT_LIMIT	R/W word	R/W	—	—	2	Y/Y	0000h
4Fh	OT_FAULT_LIMIT	R/W word	—	R/W	—	2	Y/Y	7FFFh
51h	OT_WARN_LIMIT	R/W word	—	R/W	—	2	Y/Y	7FFFh
5Eh	POWER_GOOD_ON	R/W word	R/W	—	—	2	Y/Y	0000h
5Fh	POWER_GOOD_OFF	R/W word	R/W	—	—	2	Y/Y	0000h
60h	TON_DELAY	R/W word	R/W	—	—	2	Y/Y	0000h
62h	TON_MAX_FAULT_LIMIT	R/W word	R/W	—	—	2	Y/Y	FFFFh
64h	TOFF_DELAY	R/W word	R/W	—	—	2	Y/Y	0000h
79h	STATUS_WORD	Read word	R	R	R	2	N/N	0000h
7Ah	STATUS_VOUT	Read byte	R	—	—	1	N/N	00h
7Dh	STATUS_TEMPERATURE	Read byte	—	R	—	1	N/N	00h
7Eh	STATUS_CML	Read byte	R	R	R	1	N/N	00h
80h	STATUS_MFR_SPECIFIC	Read byte	R	—	R	1	N/N	00h
8Bh	READ_VOUT	Read word	R	—	—	2	N/N	0000h
8Dh	READ_TEMPERATURE_1	Read word	—	R	—	2	N/N	0000h
98h	PMBUS_REVISION	Read byte	R	R	R	1	FIXED/N	11h

## PMBus 12-Channel Voltage Monitor and Sequencer

**Table 1. PMBus Command Codes (continued)**

CODE	COMMAND NAME	TYPE	PAGE	PAGE	PAGE	NO. OF BYTES	FLASH STORED/ LOCKED (NOTE 2)	DEFAULT VALUE (NOTE 2)
			0–11	13–17	255			
99h	MFR_ID	Read byte	R	R	R	1	FIXED/N	4Dh
9Ah	MFR_MODEL	Read byte	R	R	R	1	FIXED/N	57h
9Bh	MFR_REVISION	Read word	R	R	R	2	FIXED/N	(Note 3)
9Ch	MFR_LOCATION	Block R/W	R/W	R/W	R/W	8	Y/Y	(Note 4)
9Dh	MFR_DATE	Block R/W	R/W	R/W	R/W	8	Y/Y	(Note 4)
9Eh	MFR_SERIAL	Block R/W	R/W	R/W	R/W	8	Y/Y	(Note 4)
D1h	MFR_MODE	R/W word	R/W	R/W	R/W	2	Y/Y	0008h
D2h	MFR_PSEN_CONFIG	R/W byte	R/W	—	—	1	Y/Y	00h
D3h	MFR_SEQ_TIMESLOT	R/W byte	R/W	—	—	1	Y/Y	00h
D4h	MFR_VOUT_PEAK	R/W word	R/W	—	—	2	N/Y	0000h
D6h	MFR_TEMPERATURE_PEAK	R/W word	—	R/W	—	2	N/Y	8000h
D7h	MFR_VOUT_MIN	R/W word	R/W	—	—	2	N/Y	7FFFh
D8h	MFR_NV_LOG_CONFIG	R/W word	R/W	R/W	R/W	2	Y/Y	0000h
D9h	MFR_FAULT_RESPONSE	R/W word	R/W	—	—	2	Y/Y	0000h
DAh	MFR_FAULT_RETRY	R/W word	R/W	R/W	R/W	2	Y/Y	0000h
DBh	MFR_PG_DELAY	R/W word	R/W	R/W	R/W	2	Y/Y	0000h
DCh	MFR_NV_FAULT_LOG	Block read	R	R	R	255	Y/Y	(Note 5)
DDh	MFR_TIME_COUNT	Block read	R/W	R/W	R/W	4	N/Y	(Note 6)
DFh	MFR_MARGIN_CONFIG	R/W word	R/W	—	—	2	Y/Y	0000h
E3h	MFR_TEMPERATURE_AVG	R/W word	—	R/W	—	2	N/Y	0000h
F0h	MFR_TEMP_SENSOR_CONFIG	R/W word	—	R/W	—	2	Y/Y	0000h
FBh	MFR_GPO_CONFIG	R/W word	R/W	R/W	R/W	2	Y/Y	0000h
FCh	MFR_STORE_SINGLE	R/W word	R/W	R/W	R/W	2	N/Y	0000h
FDh	MFR_WATCHDOG_CONFIG	R/W word	R/W	R/W	R/W	2	Y/Y	0000h

**Note 1:** Common commands are shaded. Access through any page results in the same device response.

**Note 2:** In the **Flash Stored/Locked** column, the “N” on the left indicates that this parameter is not stored in flash memory when the STORE\_DEFAULT\_ALL command is executed; the value shown in the **Default Value** column is automatically loaded upon power-on reset or when the  $\overline{\text{RST}}$  pin is asserted. In the **Flash Stored/Locked** column, the “Y” on the left side indicates that the currently loaded value in this parameter is stored in flash memory when the STORE\_DEFAULT\_ALL command is executed and is automatically loaded upon power-on reset, or when the  $\overline{\text{RST}}$  pin is asserted and the value shown in the **Default Value** column is the value when shipped from the factory. “FIXED” in the **Flash Stored/Locked** column means that the value is fixed at the factory and cannot be changed. The value shown in the **Default Value** column is automatically loaded upon power-on reset, or when the  $\overline{\text{RST}}$  pin is asserted. The right-side Y/N indicates that when the device is locked, only the commands listed with “N” can be accessed. All other commands are ignored if written and return Fh if read. Only the PAGE, CLEAR\_FAULTS, OPERATION, and MFR\_SERIAL commands can be written to. The device unlocks if the upper 4 bytes of MFR\_SERIAL match the data written to the device.

**Note 3:** The factory-set value is dependent on the device hardware and firmware revision.

**Note 4:** The factory-set default value for this 8-byte block is 3130313031303130h.

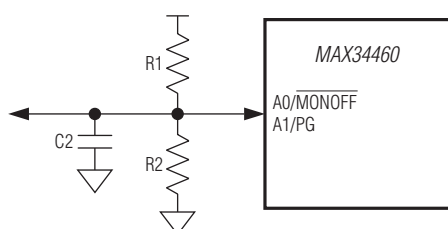
**Note 5:** The factory-set default value for the complete block of the MFR\_NV\_FAULT\_LOG is FFh.

**Note 6:** The factory-set default value for this 4-byte block is 00000000h.

## PMBus 12-Channel Voltage Monitor and Sequencer

### Address Select

On device power-up, the device samples the A0 and A1 pins to determine the PMBus/SMBus serial-port address. The combination of the components shown below determines the serial-port address (see also [Table 2](#)).



### SMBus/PMBus Operation

The device implements the PMBus command structure using the SMBus format. The structure of the data flow between the host and the slave is shown below for several different types of transactions. All transactions begin with a host sending a command code that is immediately preceded with a 7-bit slave address ( $R/\bar{W} = 0$ ). Data is sent MSB first.

**Table 2. PMBus/SMBus Serial-Port Address**

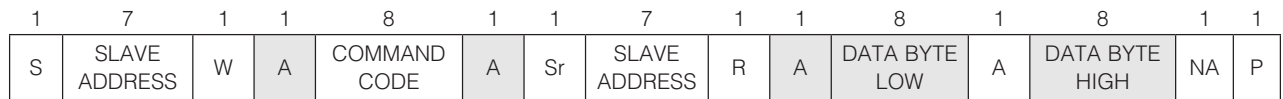
A1			A0			7-BIT SLAVE ADDRESS
R1	R2	C2	R1	R2	C2	
	220kΩ			220kΩ		1110 100 (E8h)
	220kΩ		220kΩ			1110 101 (EAh)
	220kΩ		220kΩ		100nF	0001 010 (24h)
	220kΩ		22kΩ		100nF	0001 011 (26h)
220kΩ				220kΩ		1110 110 (ECh)
220kΩ			220kΩ			1110 111 (EEh)
220kΩ			220kΩ		100nF	0001 100 (28h)
220kΩ			22kΩ		100nF	0001 101 (2Ah)
220kΩ		100nF		220kΩ		1001 100 (98h)
220kΩ		100nF	220kΩ			1001 101 (9Ah)
220kΩ		100nF	220kΩ		100nF	1011 000 (B0h)
220kΩ		100nF	22kΩ		100nF	1011 001 (B2h)
22kΩ		100nF		220kΩ		1001 110 (9Ch)
22kΩ		100nF	220kΩ			1001 111 (9Eh)
22kΩ		100nF	220kΩ		100nF	1011 110 (BCh)
22kΩ		100nF	22kΩ		100nF	1011 111 (BEh)

**Note:** The device also responds to a slave address of 34h (this is the factory programming address) and the device should not share the same I<sup>2</sup>C bus with other devices that use this slave address.

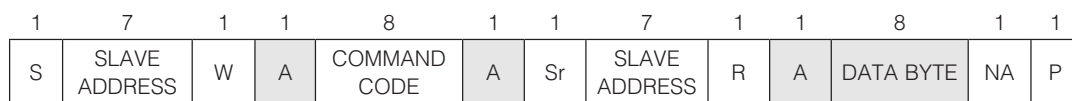
## PMBus 12-Channel Voltage Monitor and Sequencer

### SMBus/PMBus Communication Examples

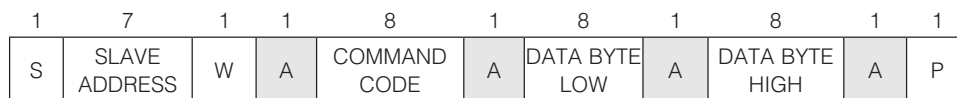
#### READ WORD FORMAT



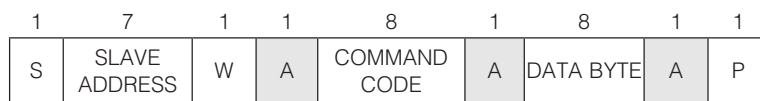
#### READ BYTE FORMAT



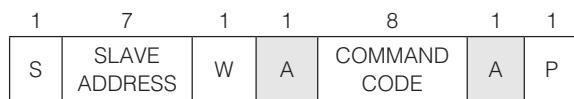
#### WRITE WORD FORMAT



#### WRITE BYTE FORMAT



#### SEND BYTE FORMAT



#### KEY:

S = START

Sr = REPEATED START

P = STOP

W = WRITE BIT (0)

R = READ BIT (1)

A = ACKNOWLEDGE (0)

NA = NOT ACKNOWLEDGE (1)

SHADED BLOCK = SLAVE TRANSACTION

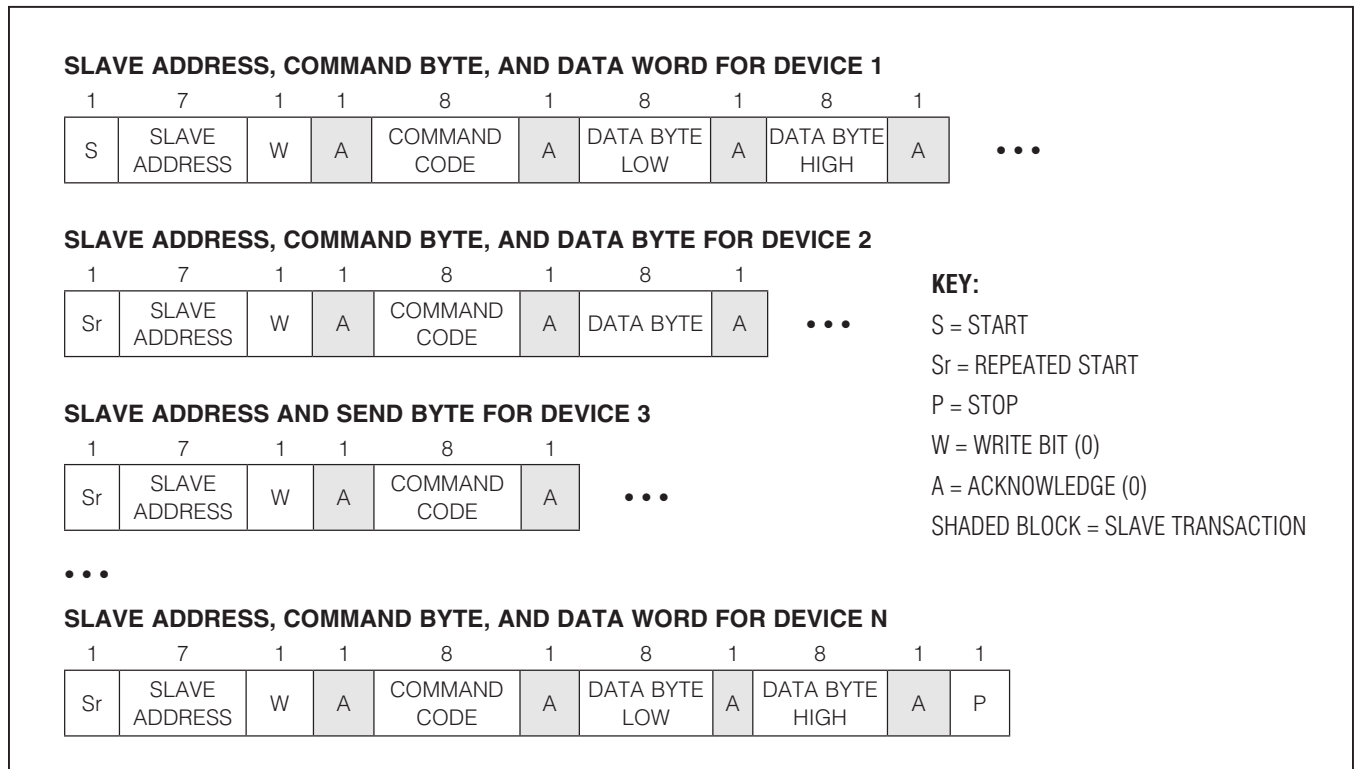
## PMBus 12-Channel Voltage Monitor and Sequencer

### Group Command

The device supports the group command. With the group command, a host can write different data to multiple devices on the same serial bus with one long continuous

data stream. All the devices addressed during this transaction wait for the host to issue a STOP before beginning to respond to the command.

### Group Command Write Format



### Addressing

The device responds to receiving its fixed slave address by asserting an acknowledge (ACK) on the bus. The device does not respond to a general call address; it only responds when it receives its fixed slave address or the alert response address (ARA). See the [ALERT and Alert Response Address \(ARA\)](#) section for more details.

### ALERT and Alert Response Address (ARA)

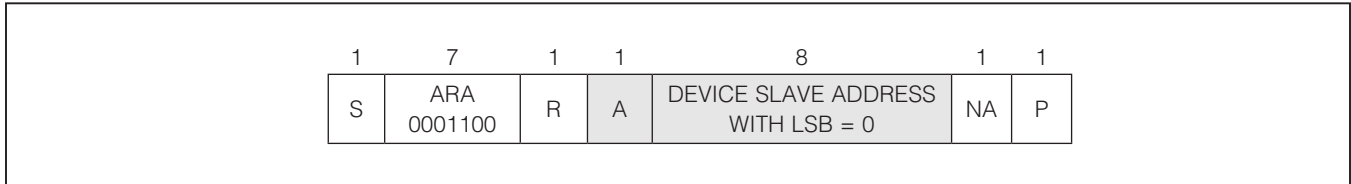
If the  $\overline{\text{ALERT}}$  output is enabled (ALERT bit = 1 in  $\overline{\text{MFR\_MODE}}$ ), when a fault occurs the device asserts the  $\overline{\text{ALERT}}$  signal and then waits for the host to send an ARA,

as shown in the [Alert Response Address \(ARA\) Byte Format](#) section.

When the ARA is received and the device is asserting  $\overline{\text{ALERT}}$ , the device ACKs it and then attempts to place its fixed slave address on the bus by arbitrating the bus, since another device could also try to respond to the ARA. The rules of arbitration state that the lowest address device wins. If the device wins the arbitration, it deasserts  $\overline{\text{ALERT}}$ . If the device loses arbitration, it keeps  $\overline{\text{ALERT}}$  asserted and waits for the host to once again send the ARA.

## PMBus 12-Channel Voltage Monitor and Sequencer

### Alert Response Address (ARA) Byte Format



#### Host Sends or Reads Too Few Bits

If, for any reason, the host does not complete writing a full byte or reading a full byte from the device before a START or STOP is received, the device does the following:

- 1) Ignores the command.
- 2) Sets the CML bit in STATUS\_WORD.
- 3) Sets the DATA\_FAULT bit in STATUS\_CML.
- 4) Notifies the host through  $\overline{\text{ALERT}}$  assertion (if enabled).

#### Host Sends or Reads Too Few Bytes

For each supported command, the device expects a fixed number of bytes to be written or read from the device. If, for any reason, less than the expected number of bytes is written to or read from the device, the device completely ignores the command and takes no action.

#### Host Sends Too Many Bytes or Bits

For each supported command, the device expects a fixed number of bytes to be written to the device. If, for any reason, more than the expected number of bytes or bits are written to the device, the device does the following:

- 1) Ignores the command.
- 2) Sets the CML bit in STATUS\_WORD.
- 3) Sets the DATA\_FAULT bit in STATUS\_CML.
- 4) Notifies the host through  $\overline{\text{ALERT}}$  assertion (if enabled).

#### Host Reads Too Many Bytes or Bits

For each supported command, the device expects a fixed number of bytes to be read from the device. If, for any reason, more than the expected number of bytes or bits are read from the device, the device does the following:

- 1) Sends all ones (FFh) as long as the host keeps acknowledging.
- 2) Sets the CML bit in STATUS\_WORD.
- 3) Sets the DATA\_FAULT bit in STATUS\_CML.
- 4) Notifies the host through  $\overline{\text{ALERT}}$  assertion (if enabled).

#### Host Sends Improperly Set Read Bit in the Slave Address Byte

If the device receives the  $R/\overline{W}$  bit in the slave address set to a one immediately preceding the command code, the device does the following (this does not apply to the ARA):

- 1) ACKs the address byte.
- 2) Sends all ones (FFh) as long as the host keeps acknowledging.
- 3) Sets the CML bit in STATUS\_WORD.
- 4) Sets the DATA\_FAULT bit in STATUS\_CML.
- 5) Notifies the host through  $\overline{\text{ALERT}}$  assertion (if enabled).

#### Unsupported Command Code Received/ Host Writes to a Read-Only Command

If the host sends the device a command code that it does not support, or if the host sends a command code that is not supported by the current PAGE setting, the device does the following:

- 1) Ignores the command.
- 2) Sets the CML bit in STATUS\_WORD.
- 3) Sets the COMM\_FAULT bit in STATUS\_CML.
- 4) Notifies the host through  $\overline{\text{ALERT}}$  assertion (if enabled).

#### Invalid Data Received

The device checks the PAGE, OPERATION, and WRITE\_PROTECT command codes for valid data. If the host writes a data value that is invalid, the device does the following:

- 1) Ignores the command.
- 2) Sets the CML bit in STATUS\_WORD.
- 3) Sets the DATA\_FAULT bit in STATUS\_CML.
- 4) Notifies the host through  $\overline{\text{ALERT}}$  assertion (if enabled).

## PMBus 12-Channel Voltage Monitor and Sequencer

### **Host Reads from a Write-Only Command**

When a read request is issued to a write-only command (CLEAR\_FAULTS, STORE\_DEFAULT\_ALL, RESTORE\_DEFAULT\_ALL, OPERATION with PAGE = 255), the device does the following:

- 1) ACKs the address byte.
- 2) Ignores the command.
- 3) Sends all ones (FFh), as long as the host keeps acknowledging.
- 4) Sets the CML bit in STATUS\_WORD.
- 5) Sets the DATA\_FAULT bit in STATUS\_CML.
- 6) Notifies the host through  $\overline{\text{ALERT}}$  assertion (if enabled).

### **Host Writes to a Read-Only Command**

When a write request is issued to a read-only command, the device does the following:

- 1) Ignores the command.
- 2) Sets the CML bit in STATUS\_WORD.
- 3) Sets the COMM\_FAULT bit in STATUS\_SML.
- 4) Notifies the host through  $\overline{\text{ALERT}}$  assertion (if enabled).

### **SMBus Timeout**

If during an active SMBus communication sequence the SCL signal is held low for greater than the timeout duration (nominally 27ms), the device terminates the sequence and resets the serial bus. It takes no other action. No status bits are set.

### **PMBus Operation**

From a software perspective, the device appears as a PMBus device capable of executing a subset of PMBus commands. A PMBus 1.1-compliant device uses the SMBus version 1.1 for transport protocol and responds to the SMBus slave address. In this data sheet, the term SMBus is used to refer to the electrical characteristics of the PMBus communication using the SMBus physical layer. The term PMBus is used to refer to the PMBus command protocol. The device employs a number of standard SMBus protocols (e.g., Write Word, Read Word, Write Byte, Read Byte, Send Byte, etc.) to program output voltage and warning/fault thresholds, read monitored data, and provide access to all manufacturer-specific commands.

The device supports the group command. The group command is used to send commands to more than one PMBus device. It is not required that all the devices receive the same command. However, no more than one command can be sent to any one device in one group command packet. The group command must not be

used with commands that require receiving devices to respond with data, such as the STATUS\_WORD command. When the device receives a command through this protocol, it immediately begins execution of the received command after detecting the STOP condition.

The device supports the PAGE command and uses it to select which individual channel to access. When a data word is transmitted, the lower order byte is sent first and the higher order byte is sent last. Within any byte, the (MSB is sent first and the LSB is sent last.

### **PMBus Protocol Support**

The device supports a subset of the commands defined in the PMBus Power System Management Protocol Specification Part II - Command Language Revision 1.1. For detailed specifications and the complete list of PMBus commands, refer to Part II of the PMBus specification available at [www.PMBus.org](http://www.PMBus.org). The supported PMBus commands and the corresponding device behavior are described in this document. All data values are represented in DIRECT format, unless otherwise stated. Whenever the PMBus specification refers to the PMBus device, it is referring to the device operating in conjunction with a power supply. While the command can call for turning on or off the PMBus device, the device always remains on to continue communicating with the PMBus master and the device transfers the command to the power supply accordingly.

### **Data Format**

Voltage data for commanding or reading the output voltage or related parameters (such as the overvoltage threshold) are presented in DIRECT format. DIRECT format data is a 2-byte, two's complement binary value. DIRECT format data can be used with any command that sends or reads a parametric value. The DIRECT format uses an equation and defined coefficients to calculate the desired values. [Table 3](#) lists coefficients used by the device.

### **Interpreting Received DIRECT Format Values**

The host system uses the following equation to convert the value received from the PMBus device—in this case, the MAX34460—into a reading of volts, degrees Celsius, or other units as appropriate:

$$X = (1/m) \times (Y \times 10^{-R} - b)$$

where X is the calculated, real-world value in the appropriate units (i.e., V, °C, etc.); m is the slope coefficient; Y is the 2-byte, two's complement integer received from the PMBus device; b is the offset; and R is the exponent.



## PMBus 12-Channel Voltage Monitor and Sequencer

**Table 3. PMBus Command Code Coefficients**

PARAMETER	COMMANDS	UNITS	RESOLUTION	MAXIMUM	m	b	R
Voltage	VOUT_MARGIN_HIGH VOUT_MARGIN_LOW VOUT_OV_FAULT_LIMIT VOUT_OV_WARN_LIMIT VOUT_UV_WARN_LIMIT VOUT_UV_FAULT_LIMIT POWER_GOOD_ON POWER_GOOD_OFF READ_VOUT MFR_VOUT_PEAK MFR_VOUT_MIN	mV	1	32,767	1	0	0
Voltage Scaling	VOUT_SCALE_MONITOR	—	1/32,767	1	32,767	0	0
Temperature	OT_FAULT_LIMIT OT_WARN_LIMIT READ_TEMPERATURE_1 MFR_TEMPERATURE_PEAK MFR_TEMPERATURE_AVG	°C	0.01	327.67	1	0	2
Timing	TON_DELAY TON_MAX_FAULT_LIMIT TOFF_DELAY MFR_FAULT_RETRY MFR_PG_DELAY	ms	0.2	6553.4	5	0	0

**Table 4. Coefficients for DIRECT Format Value**

COMMAND CODE	COMMAND NAME	m	b	R
25h	VOUT_MARGIN_HIGH	1	0	0
8Bh	READ_VOUT	1	0	0

### ***Sending a DIRECT Format Value***

To send a value, the host must use the following equation to solve for Y:

$$Y = (mX + b) \times 10^R$$

where Y is the 2-byte, two's complement integer to be sent to the unit; m is the slope coefficient; X is the real-world value, in units such as volts, to be converted for transmission; b is the offset; and R is the exponent.

The following example demonstrates how the host can send and retrieve values from the device. [Table 4](#) lists the coefficients used in the following parameters.

If a host wants to set the device to change the power-supply output voltage to 3.465V (or 3465mV), the corresponding VOUT\_MARGIN\_HIGH value is:

$$Y = (1 \times 3465 + 0) \times 10^0 = 3465 \text{ (decimal)} = 0D89\text{h (hex)}$$

Conversely, if the host received a value of 0D89h on a READ\_VOUT command, this is equivalent to:

$$X = (1/1) \times (0D89\text{h} \times 10^{-(0)} - 0) = 3465\text{mV} = 3.465\text{V}$$

Power supplies and power converters generally have no way of knowing how their outputs are connected to ground. Within the power supply, all output voltages are most commonly treated as positive. Accordingly, all output voltages and output voltage-related parameters of PMBus devices are commanded and reported as positive values. It is up to the system to know that a particular output is negative if that is of interest to the system. All output-voltage-related commands use 2 data bytes.



## **PMBus 12-Channel Voltage Monitor and Sequencer**

### **Fault Management and Reporting**

For reporting faults/warnings to the host on a real-time basis, the device asserts the open-drain  $\overline{\text{ALERT}}$  pin (if enabled in MFR\_MODE) and sets the appropriate bit in the various status registers. On recognition of the  $\overline{\text{ALERT}}$  assertion, the host or system manager is expected to poll the I<sup>2</sup>C bus to determine the device asserting  $\overline{\text{ALERT}}$ . The host sends the SMBus ARA (0001 100). The device ACKs the SMBus ARA, transmits its slave address, and deasserts  $\overline{\text{ALERT}}$ . The system controller then communicates with PMBus commands to retrieve the fault/warning status information from the device.

See the individual command sections for more details. Faults and warnings that are latched in the status registers are cleared when any one of the following conditions occurs:

- A CLEAR\_FAULTS command is received.
- The  $\overline{\text{RST}}$  pin is toggled or a soft-reset is issued.
- Bias power to the device is removed and then reapplied.

One or more latched-off power supplies are only restarted when one of the following conditions occurs:

- The OPERATION commands are received that turn off and on the power supplies or the CONTROL pin is toggled to turn off and then turn on the power supplies.
- The  $\overline{\text{RST}}$  pin is toggled or a soft-reset is issued.
- Bias power to the device is removed and then reapplied.

A power supply is not allowed to turn on if any faults the supply responds to are detected. Only after the faults clear is the power supply allowed to turn on. When GLOBAL supplies are being sequenced on, a fault on any of the supplies keeps all GLOBAL supplies from being turned on.

Upon a system-wide power-up (OPERATION command is received to turn the supplies on when PAGE is 255 or the CONTROL pin is toggled to turn on the supplies), all enabled GLOBAL power supplies with their overvoltage- or overtemperature-fault responses enabled with the MFR\_FAULT\_RESPONSE command are only allowed

to power up if neither the overvoltage or overtemperature fault exists.

The device responds to fault conditions according to the manufacturer fault response command (MFR\_FAULT\_RESPONSE). This command byte determines how the device should respond to each particular fault.

### **Password Protection**

The device can be password protected by using the LOCK bit in the MFR\_MODE command. Once the device is locked, only certain PMBus commands can be accessed with the serial port. See [Table 1](#) for a complete list. Commands that have password protection return all ones (FFh), with the proper number of data bytes when read. When the device is locked, only the PAGE, OPERATION, CLEAR\_FAULTS, and MFR\_SERIAL commands can be written; all other written commands are ignored. When MFR\_SERIAL is written and the upper 4 bytes match the internally flash-stored value, the device unlocks and remains unlocked until the LOCK bit in MFR\_MODE is activated once again. The LOCK status bit in STATUS\_MFR\_SPECIFIC is always available to indicate whether the device is locked or unlocked.

### **Sequencing**

The device implements both PMBus-defined time-based sequencing and timeslot-defined event-based sequencing. The SEQ bit in MFR\_MODE determines which sequencing profile is used. With PMBus-defined sequencing, the activation of all power-supply channels (even across multiple devices) is timed from a common START signal that can be either the CONTROL pin or the OPERATION command. With timeslot sequencing, each power-supply channel is assigned to a particular timeslot and each power supply waits until the preceding power supply is active before it is turned on. The power-down sequencing of both the PMBus and the timeslot arrangements is the same. When the power supplies are instructed to turn off, all supplies can be switched off immediately, or they can be shut down in any order according to the TOFF\_DELAY command setting.

## PMBus 12-Channel Voltage Monitor and Sequencer

### PMBus-Defined Time-Based Sequencing

Figure 1 details a simple sequencing scheme using four power supplies. When either the CONTROL pin goes active or the OPERATION command is received (as defined by the ON\_OFF\_CONFIG command), each enabled PSEn output goes active (can be active high or low, as defined in MFR\_PSEN\_CONFIG) after the associated delay time programmed in TON\_DELAY. The power supplies can be sequenced on in any order. The output voltage of each power supply is monitored to ensure that the supply crosses the undervoltage fault limit (as configured in VOUT\_UV\_FAULT\_LIMIT) within a programmable time limit (as configured in TON\_MAX\_

FAULT\_LIMIT). After all enabled supplies are turned on and above their respective power-good-on levels (as configured in POWER\_GOOD\_ON), the PG output transitions high. The PG output transition can be delayed with the MFR\_PG\_DELAY command. When either the CONTROL pin goes inactive or the OPERATION off command is received (or the FAULT pin goes low for GLOBAL channels), the power supplies are sequenced off. The order in which the supplies are disabled is determined with the TOFF\_DELAY configuration. Alternatively, all of the power supplies can be switched off immediately, as configured in the ON\_OFF\_CONFIG command or with the OPERATION command.

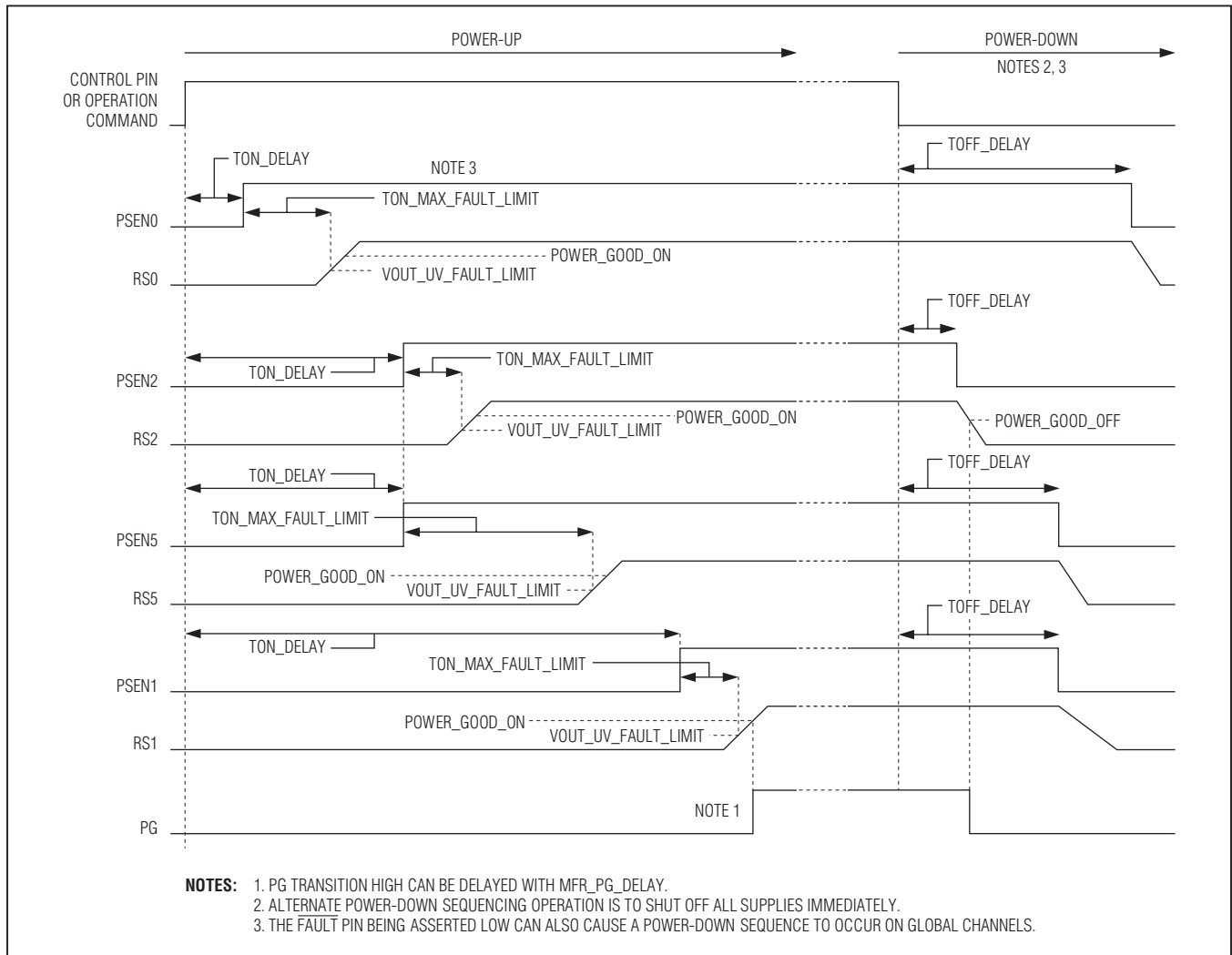


Figure 1. PMBus-Defined Time-Based Sequencing Example

## PMBus 12-Channel Voltage Monitor and Sequencer

### Timeslot-Defined Event-Based Sequencing

As an example of timeslot sequencing, [Figure 2](#) details a simple sequencing scheme using four power supplies. When either the CONTROL pin goes active or the OPERATION command is received (as defined by the ON\_OFF\_CONFIG command), PSEN0, which has been assigned to timeslot 0 (with the MFR\_SEQ\_TIMESLOT command), goes active (can be active high or low, as defined in MFR\_PSEN\_CONFIG) after the associated delay time programmed in TON\_DELAY. RS0 is moni-

tored to make sure that the PSEN0 supply crosses the undervoltage-fault limit (as configured in VOUT\_UV\_FAULT\_LIMIT) within a programmable time limit (as configured in TON\_MAX\_FAULT\_LIMIT). When RS0 crosses the undervoltage-fault limit, timeslot 1 begins. PSEN2 and PSEN5 have been assigned to timeslot 1 and each has their own unique TON\_DELAY and TON\_MAX\_FAULT\_LIMIT values. Since two power supplies have been assigned to timeslot 1, the last power supply to cross its associated undervoltage-fault-limit level defines when

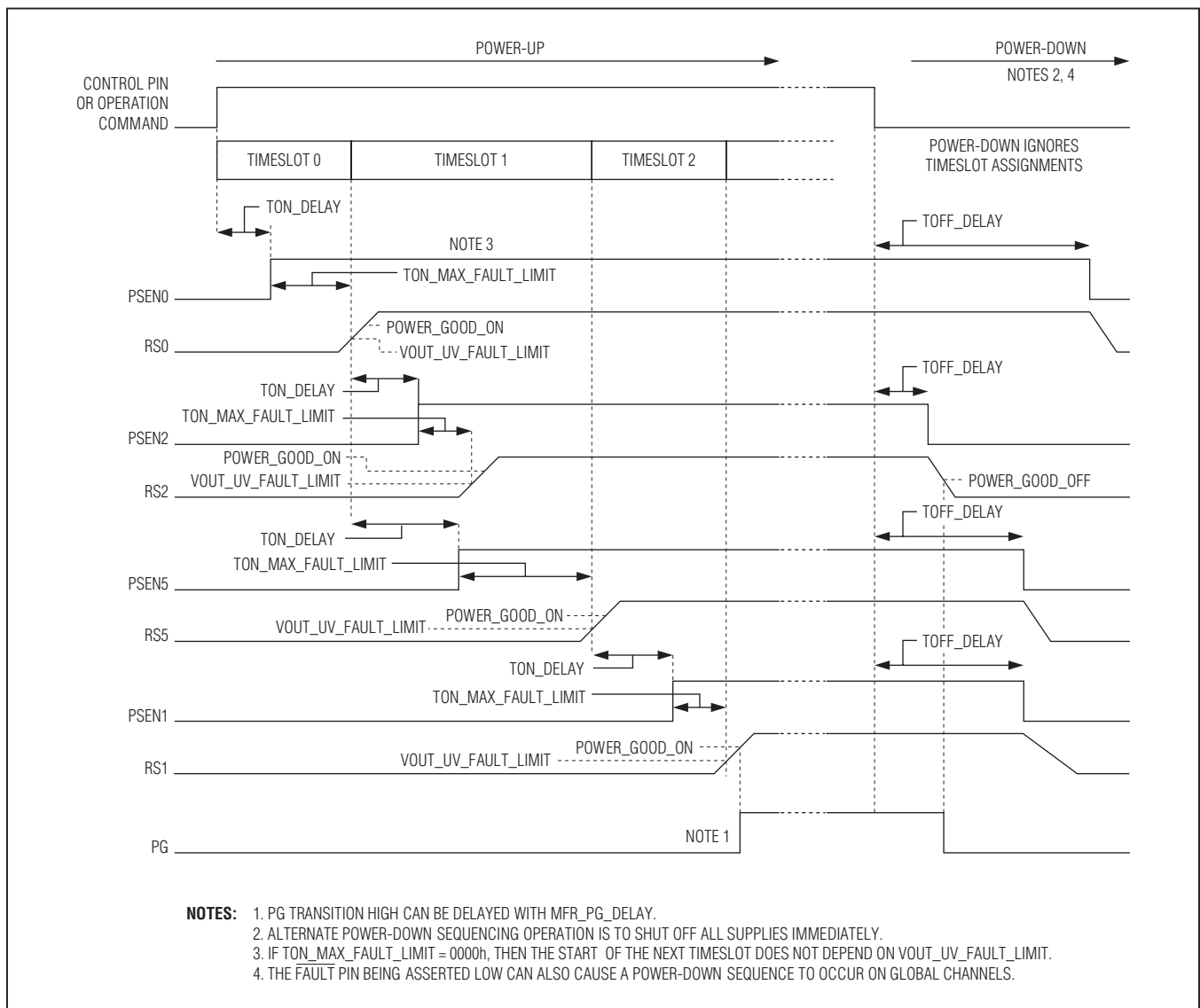


Figure 2. Timeslot-Defined Event-Based Sequencing Example

## PMBus 12-Channel Voltage Monitor and Sequencer

timeslot 2 begins. The power supplies can be sequenced on in any order. Since multiple power supplies can be assigned to a single timeslot, not all timeslots may be needed. However, timeslot assignment must be sequential. GLOBAL channels must start in timeslot 0, whereas local channels can be assigned to any timeslot. After all enabled supplies are turned on and above their respective power-good-on levels, the PG output transitions high. The PG output transition can be delayed with the MFR\_PG\_DELAY command. When either the CONTROL pin goes inactive or the OPERATION command is received (or the FAULT pin goes low for GLOBAL channels), the power supplies are sequenced off. The order in which the supplies are disabled is determined with the TOFF\_DELAY configuration. Alternatively, all the power supplies can be switched off immediately, as configured in ON\_OFF\_CONFIG or with the OPERATION command.

### Dual-Sequencing Groups

If enabled with the DUAL\_SEQ bit in MFR\_MODE, the device implements two independent sequencing groups. Each group has its own CONTROL, FAULT, and PG pins, as shown in [Table 5](#).

Which power supplies are assigned to which sequencing group is different depending on the selected sequencing profile. Each power-supply channel is assigned to either the primary or the secondary group with the GROUP bit in MFR\_SEQ\_TIMESLOT. There are special OPERATION commands to allow a host to independently control the two sequencing groups. The watchdog timer function only uses the primary group to time the beginning of the watchdog startup when the watchdog is operated in the dependent mode.

### Multiple Device Connections

Multiple MAX34460 devices (or even other MAX3445x and MAX3446x PMBus system managers from the Maxim Integrated family) can be connected together

**Table 5. Dual-Sequencing Groups**

SEQUENCING GROUP	ASSIGNED SIGNALS	ALTERNATE FUNCTIONALITY
Primary	CONTROL	Not available
	FAULT	
	PG	
Secondary	CONTROL2	GPO4
	FAULT2	GPO3
	PG2	GPO5

to increase the system channel count. [Figure 3](#) details the two possible connection schemes. The MULTI\_SEQ bits in the MFR\_MODE command are used to select the sequencing configuration.

With the Common Control or Common OPERATION command sequencing arrangement, all the paralleled devices share the same CONTROL, FAULT, and SMBus signals. All the devices use a common signal (either the CONTROL pin or the OPERATION command) to enable and disable all of the power supplies. Any of the monitored power supplies can be configured with the MFR\_FAULT\_RESPONSE command to be tagged as GLOBAL supplies and hence activate the FAULT signal and shut down all the other supplies tagged as GLOBAL.

With the Cascaded sequencing arrangement, the PG output from upstream device is connected to the CONTROL input on the downstream device. The CONTROL input on the downstream device must be enabled with the ON\_OFF\_CONFIG command. All the power supplies in the upstream device must be

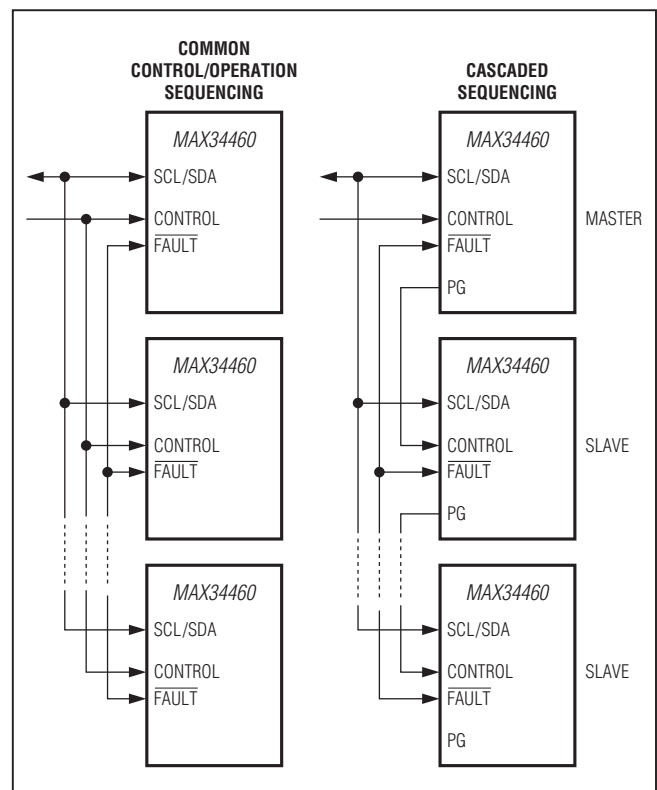


Figure 3. Multiple Device Hardware Connections

## PMBus 12-Channel Voltage Monitor and Sequencer

**Table 6. Device Configuration Quick Reference**

ACTION	CONFIGURATION
Enable a channel	Configure TON_MAX_FAULT_LIMIT = 0000h to 7FFFh.
Disable a channel	Configure TON_MAX_FAULT_LIMIT = 8000h to FFFFh.

**Table 7. GPO Pins**

PIN	DEFAULT FUNCTIONALITY	ALTERNATE GPO
24	$\overline{\text{ALARM0}}$	GPO0
25	$\overline{\text{ALARM1}}$	GPO1
12	$\overline{\text{ALARMCLR}}$	GPO2
17	$\overline{\text{FAULT2}}$	GPO3
29	CONTROL2	GPO4
28	PG2	GPO5
40	$\overline{\text{WDO}}$	GPO6
41	WDI	GPO7

above the POWER\_GOOD\_ON level before the power supplies in the downstream device are sequenced on. When the CONTROL line is inactivated or the OPERATION off command turns the supplies off in the master device, the PG output is pulled low when the first power supply falls below the POWER\_GOOD\_OFF level, which in turn initiates the shutdown of the channels in the first downstream device. A detected fault on any GLOBAL power supply can also initiate the shutdown of the rest of the GLOBAL power supply channels by pulling the  $\overline{\text{FAULT}}$  signal low. Only channels in the primary sequencing group should be arranged in a cascaded sequence.

**USER NOTE:** In Cascaded Sequencing, the master and slave devices must be powered up at the same time. Also, all devices must be configured for the same latch off or retry configuration.

### System Watchdog Timer

The device uses an internal watchdog timer that is internally reset every 5ms. In the event the device is locked up and this watchdog reset does not occur after 210ms, the device automatically resets. After the reset

occurs, the device reloads all configuration values that were stored to flash and begins normal operation. After the reset, the device also does the following:

- 1) Sets the MFR bit in STATUS\_WORD.
- 2) Sets the WATCHDOG\_INT bit in STATUS\_MFR\_SPECIFIC (for PAGE 255).
- 3) Notifies the host through  $\overline{\text{ALERT}}$  assertion (if enabled in MFR\_MODE).

### CRC Memory Check

Upon reset, the device runs an internal algorithm to check the integrity of the key internal nonvolatile memory. If the CRC check fails, the device does not power up and remains in a null state with all pins high impedance, but asserts the  $\overline{\text{FAULT}}$  and  $\overline{\text{FAULT2}}$  outputs.

### Alarm Outputs

The  $\overline{\text{ALARM0}}$  and  $\overline{\text{ALARM1}}$  pins are active-low, open-drain outputs that can be configured with the MFR\_FAULT\_RESPONSE command to assert under any combination of undervoltage, overvoltage, or sequencing faults or warnings. If more than one channel is configured to assert either alarm output, the multiple channels are logically ORed such that any enabled channel asserts the output. Once asserted, the outputs remain asserted until they are cleared either by toggling the  $\overline{\text{ALARMCLR}}$  input low or by setting the ALARM\_CLR bit in MFR\_MODE. The current real-time status of the alarm outputs is reported in STATUS\_MFR\_SPECIFIC (PAGE = 255).

### FAULT and FAULT2 Input/Output Pins

$\overline{\text{FAULT}}$  and  $\overline{\text{FAULT2}}$  are open-drain, active-low input/output pins. The primary purpose of the fault pins is to provide sequencing control across multiple devices in fault situations. Within the device, any power supply tagged as a GLOBAL power supply (with the MFR\_FAULT\_RESPONSE command) asserts the associated fault pin to indicate to other GLOBAL power supplies in other devices that action should be taken. The fault pins are also inputs that can be configured with the FAULT\_IGNORE and FAULT2\_IGNORE bits in the MFR\_MODE command to cause all GLOBAL power supplies within the device to shut down and retry when  $\overline{\text{FAULT}}$  is released. The input status of the fault pins is available in the STATUS\_MFR\_SPECIFIC command when the PAGE is set to 255. The fault pins are pulled low when the device is reset until monitoring begins.

## **PMBus 12-Channel Voltage Monitor and Sequencer**

### **MONOFF Disable Monitoring Control Input**

The MONOFF control (which is shared with the A0 I<sup>2</sup>C slave address-select function) is an active-low input with an internal weak pullup. To allow the device to properly set the I<sup>2</sup>C address, this pin should be high impedance upon power-up or device reset (it is recommended that a small-signal MOSFET be used to pull this pin low). See the [Typical Operating Circuit](#) for an example. After power-up, when this pin is pulled low, the device stops monitoring for overvoltage/undervoltage and temperature faults/warnings and freezes the current state of the power-good and fault signals. The MONOFF input is useful in systems that do not use the external DS4424 current DACs to margin the power supplies and instead use some other technique such as a bed-of-nails tester. Asserting this pin lets the system be margin tested without causing any voltage faults or warnings. The MONOFF input is ignored when faults are active and when the power-good signals are not asserted. No sequencing should be performed while MONOFF is active.

### **External Signal Watchdog**

The external signal watchdog function is configured using the MFR\_WATCHDOG\_CONFIG command. The startup sequence for the watchdog depends on whether the device is configured for dependent or independent mode operation. In the dependent mode, the PG output must be asserted before the watchdog startup timer begins. If dual sequencing is enabled, PG2 has no effect on the watchdog. In dependent mode, the watchdog function stops each time the PG output deasserts and WDO is deasserted; the device waits for PG to assert before once again starting the watchdog. In independent mode, the watchdog startup time begins after device startup. The watchdog startup time is defined with the WD\_STARTUP bits in MFR\_WATCHDOG\_CONFIG.

After the first rising edge is detected at the WDI input during the startup time, the watchdog begins expecting a rising edge to occur before the watchdog timeout period expires. Each rising edge at WDI resets the watchdog timeout counter. The watchdog timeout period is defined with the WD\_TIMEOUT bits in MFR\_WATCHDOG\_CONFIG. As an alternative to using the WDI input to reset the watchdog timeout counter, the WD\_TOGGLE bit in MFR\_WATCHDOG\_CONFIG can be used.

The WDO output can be used in conjunction with the power-good outputs to create a system reset or can also be used to shut down the supplies or restart them, depending on how the device is configured.

In both dependent and independent modes, the WDO pin can also be configured to act as a manual-reset (MR) input. When the WD\_WDO\_MR bit is set in MFR\_WATCHDOG\_CONFIG, the WDO pin becomes a digital input/output pin that detects a falling edge, debounces the falling edge for a 200ms period, and then once the manual reset has been qualified, the device asserts the WDO output low for the time configured in MFR\_PG\_DELAY before releasing the pin and restarting the watchdog function. To prevent glitches from occurring in the reset signal, the device seizes the reset signal as soon as it qualifies the manual reset and holds the WDO output low for the MFR\_PG\_DELAY time. The MFR\_PG\_DELAY time should be configured for a time longer than the manual-reset pulse length. When the time configured in MFR\_PG\_DELAY expires, the device releases the reset signal and restarts the watchdog as long as the pin is high. If the pin is low when the WDO pin is released, the device waits for the pin to go high (debounced by 20ms) before restarting the watchdog function. See [Figure 4](#).

## PMBus 12-Channel Voltage Monitor and Sequencer

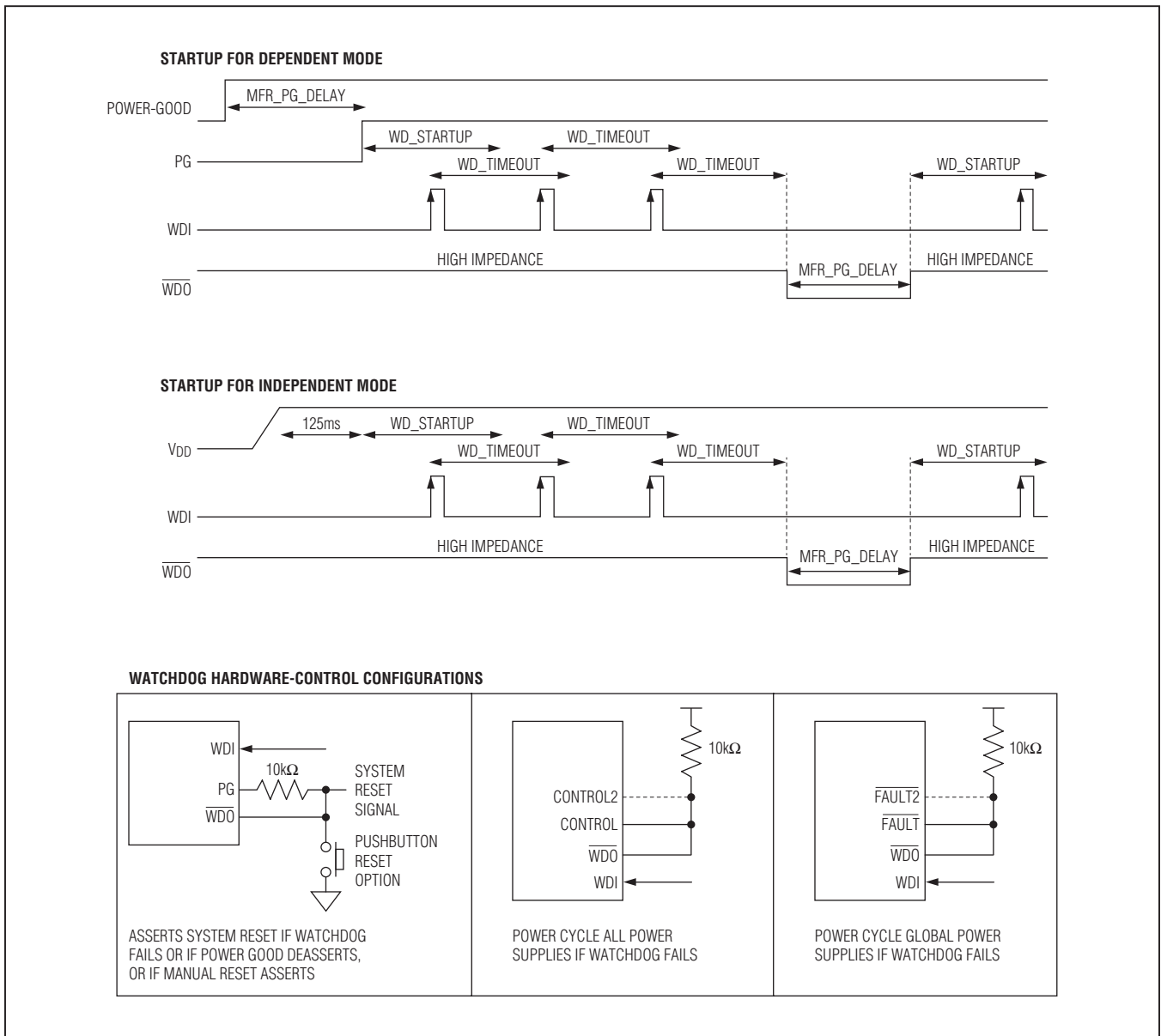


Figure 4. External Watchdog Operation



## PMBus 12-Channel Voltage Monitor and Sequencer

### ***PMBus Commands***

A summary of the PMBus commands supported by the device are described in the following sections.

#### **PAGE (00h)**

The device can monitor up to 12 voltages, sequence up to 12 power supplies, and margin up to 12 power supplies using three external current DACs (DS4424). The device can monitor up to five temperature sensors, one internal local temperature sensor, plus four external

remote temperature sensors (DS75LV). All the monitoring and control is accomplished using one PMBus (I<sup>2</sup>C) address. Send the PAGE command with data 0–11 and 13–17 (decimal) to select which power supply or temperature sensor is affected by all the following PMBus commands. Not all commands are supported within each page. If an unsupported command is received, the CML status bit is set. Some commands are common, which means that any selected page has the same effect on and the same response from the device. See [Table 8](#) for PAGE commands.

**Table 8. PAGE Commands**

PAGE	ASSOCIATED CONTROL
0	Power supply monitored by RS0 and controlled by PSEN0 and optionally margined by OUT0 of the external DS4424 at I <sup>2</sup> C address 20h.
1	Power supply monitored by RS1 and controlled by PSEN1 and optionally margined by OUT1 of the external DS4424 at I <sup>2</sup> C address 20h.
2	Power supply monitored by RS2 and controlled by PSEN2 and optionally margined by OUT2 of the external DS4424 at I <sup>2</sup> C address 20h.
3	Power supply monitored by RS3 and controlled by PSEN3 and optionally margined by OUT3 of the external DS4424 at I <sup>2</sup> C address 20h.
4	Power supply monitored by RS4 and controlled by PSEN4 and optionally margined by OUT0 of the external DS4424 at I <sup>2</sup> C address 60h.
5	Power supply monitored by RS5 and controlled by PSEN5 and optionally margined by OUT1 of the external DS4424 at I <sup>2</sup> C address 60h.
6	Power supply monitored by RS6 and controlled by PSEN6 and optionally margined by OUT2 of the external DS4424 at I <sup>2</sup> C address 60h.
7	Power supply monitored by RS7 and controlled by PSEN7 and optionally margined by OUT3 of the external DS4424 at I <sup>2</sup> C address 60h.
8	Power supply monitored by RS8 and controlled by PSEN8 and optionally margined by OUT0 of the external DS4424 at I <sup>2</sup> C address A0h.
9	Power supply monitored by RS9 and controlled by PSEN9 and optionally margined by OUT1 of the external DS4424 at I <sup>2</sup> C address A0h.
10	Power supply monitored by RS10 and controlled by PSEN10 and optionally margined by OUT2 of the external DS4424 at I <sup>2</sup> C address A0h.
11	Power supply monitored by RS11 and controlled by PSEN11 and optionally margined by OUT3 of the external DS4424 at I <sup>2</sup> C address A0h.
12	Reserved.
13	Internal temperature sensor.
14	External DS75LV temperature sensor with I <sup>2</sup> C address 90h.
15	External DS75LV temperature sensor with I <sup>2</sup> C address 92h.
16	External DS75LV temperature sensor with I <sup>2</sup> C address 94h.
17	External DS75LV temperature sensor with I <sup>2</sup> C address 96h.
18–254	Reserved.
255	Applies to all pages.



## PMBus 12-Channel Voltage Monitor and Sequencer

Set the PAGE command to 255 when the following PMBus commands should apply to all pages at the same time. There are only a few commands (OPERATION, CLEAR\_FAULTS) where this function has a real application.

### OPERATION (01h)

The OPERATION command is used to turn the power supply on and off in conjunction with the CONTROL input pin. The OPERATION command is also used to cause the power supply to set the output voltage to the upper or lower margin voltages. The power supply stays in the commanded operating mode until a subsequent OPERATION command or a change in the state of the CONTROL pin (if enabled) instructs the power supply to change to another state. The valid OPERATION command byte values are shown in [Table 9](#). The OPERATION command controls how the device responds when commanded to change the output. When the command byte is 00h, the device immediately turns the power supply off and ignores any programmed turn-off delay. When the command byte is set to 40h, the device powers down according to the

programmed turn-off delay. In [Table 9](#) and [Table 10](#), “act on any fault” means that if any warning or fault on the selected power supply is detected when the output is margined, the device treats this as a warning or fault and responds as programmed. “Ignore all faults” means that all warnings and faults on the selected power supply are ignored. Any command value not shown in [Table 9](#) is an invalid command. If the device receives a data byte that is not listed in [Table 9](#), then it treats this as invalid data, declares a data fault (set CML bit and assert  $\overline{\text{ALERT}}$ ), and responds, as described in the [Fault Management and Reporting](#) section.

**USER NOTE:** All power supplies tagged as GLOBAL supplies (see MFR\_FAULT\_RESPONSE) should be turned on and off at the same time by setting the PAGE to 255. If supplies are turned on and off independently by setting the PAGE from 0–11, then the supplies are not sequenced and only use their associated TON\_DELAY and TOFF\_DELAY settings, without any regard to the other supplies. For timeslot-defined sequencing, GLOBAL channels must start in timeslot 0; LOCAL channels can be assigned to any timeslot.

**Table 9. OPERATION Command Byte (When Bit 3 of ON\_OFF\_CONFIG = 1)**

COMMAND BYTE	POWER SUPPLY ON/OFF	MARGIN STATE
00h	Immediate off (no sequencing)	—
40h	Soft off (with sequencing)	—
80h	On	Margin off
94h	On	Margin low (ignore all faults)
98h	On	Margin low (act on any fault)
A4h	On	Margin high (ignore all faults)
A8h	On	Margin high (act on any fault)

**Note:** Active margining begins once power good has been exceeded for all channels.

**Table 10. OPERATION Command Byte (When Bit 3 of ON\_OFF\_CONFIG = 0)**

COMMAND BYTE	POWER SUPPLY ON/OFF	MARGIN STATE
00h	Command has no effect	Margin off
40h	Command has no effect	Margin off
80h	Command has no effect	Margin off
94h	Command has no effect	Margin low (ignore all faults)
98h	Command has no effect	Margin low (act on any fault)
A4h	Command has no effect	Margin high (ignore all faults)
A8h	Command has no effect	Margin high (act on any fault)

**Note:** The device only takes action if the supply is enabled. The  $V_{OUT}$  of all channels must exceed POWER\_GOOD\_ON for margining to begin, or power good must be forced good through the test mode.

## PMBus 12-Channel Voltage Monitor and Sequencer

**Table 11. Special OPERATION Command Bytes for Primary Sequence**

COMMAND BYTE	POWER SUPPLY ON/OFF	MARGIN STATE
01h	Immediate off (no sequencing)	—
41h	Soft-off (with sequencing)	—
81h	On	Margin off

**Table 12. Special OPERATION Command Bytes for Secondary Sequence**

COMMAND BYTE	POWER SUPPLY ON/OFF	MARGIN STATE
02h	Immediate off (no sequencing)	—
42h	Soft-off (with sequencing)	—
82h	On	Margin off

### Special OPERATION Commands for Dual-Sequencing Mode

When the device is configured to operate in dual-sequencing mode (the DUAL\_SEQ bit in MFR\_MODE is set), the OPERATION command (described in [Table 10](#)) applies to both the primary and secondary sequences. There are several special OPERATION commands for individual control of the primary and secondary sequences (see [Table 11](#) and [Table 12](#)). In dual-sequencing mode, when the OPERATION command is read, the channels always respond with the standard OPERATION commands, not the special command bytes (01h, 41h, 81h, 02h, 42h, 82h). These special OPERATION commands can only be used with the PAGE set to 255.

### ON\_OFF\_CONFIG (02h)

The ON\_OFF\_CONFIG command configures the combination of CONTROL input and PMBus OPERATION commands needed to turn the power supply on and off. This indicates how the power supply is commanded when power is applied. [Table 13](#) describes the ON\_OFF\_CONFIG message content. The host should not modify ON\_OFF\_CONFIG while the power supplies are active.

When the device is configured to operate in dual-sequencing mode (the DUAL\_SEQ bit in MFR\_MODE is set), the ON\_OFF\_CONFIG command applies to both the primary and secondary sequences.

**Table 13. ON\_OFF\_CONFIG (02h) Command Byte**

BIT	PURPOSE	BIT VALUE	MEANING
7:5	Reserved	—	Always returns 000.
4	Turn on supplies when bias is present, or use the CONTROL pin and/or OPERATION command.	0	Turn on the supplies (with sequencing if so configured) as soon as bias is supplied to the device regardless of the CONTROL pin.
		1	Use CONTROL pin (if enabled) and/or OPERATION command (if enabled). See note below.
3	OPERATION command enable.	0	Ignore the on/off portion of the OPERATION command.
		1	OPERATION command enabled and required for action.
2	CONTROL pin enable.	0	Ignore the CONTROL pin.
		1	CONTROL pin enabled and required for action.
1	CONTROL pin polarity.	0	Active low (drive low to turn on the power supplies).
		1	Active high (drive high to turn on the power supplies).
0	CONTROL pin turn-off action.	0	Use the programmed turn-off delay (soft-off).
		1	Turn off the power supplies immediately.

**Note:** If both bits 2 and 3 are set, both the CONTROL pin and the OPERATION command are required to turn the supplies on, and either one can turn the supplies off.

## PMBus 12-Channel Voltage Monitor and Sequencer

### **CLEAR\_FAULTS (03h)**

The CLEAR\_FAULTS command is used to clear any latched fault or warning bits in the status registers that have been set and also unconditionally deasserts the  $\overline{\text{ALERT}}$  output. This command clears all bits simultaneously. The CLEAR\_FAULTS command does not cause a power supply that has latched off for a fault condition to restart. The state of the PSENn outputs under fault conditions is not affected by this command and changes only if commanded through the OPERATION command or CONTROL pin. If a fault is still present after the CLEAR\_FAULTS command is executed, the fault status bit is immediately set again, but  $\overline{\text{ALERT}}$  is not reasserted.  $\overline{\text{ALERT}}$  is only asserted again when a new fault or warning is detected that occurs after the CLEAR\_FAULTS command is executed. This command is write-only. There is no data byte for this command.

### **WRITE\_PROTECT (10h)**

The WRITE\_PROTECT command is used to provide protection against accidental changes to the device's operating memory. All supported commands can have their parameters read, regardless of the WRITE\_PROTECT settings. The WRITE\_PROTECT message content is described in [Table 14](#).

### **STORE\_DEFAULT\_ALL (11h)**

The STORE\_DEFAULT\_ALL command instructs the device to transfer the complete device configuration information to the internal flash memory array. Not all information is stored; only configuration data is stored, not any status or operational data. If an error occurs during the transfer,  $\overline{\text{ALERT}}$  asserts if enabled and the CML bit in STATUS\_WORD is set to 1. No bits are set in STATUS\_CML. This command is write-only. There is no data byte for this command. **Note:** It is not recommended

to use the STORE\_DEFAULT\_ALL command while the device is operating power supplies. The device is unresponsive to PMBus commands and does not monitor power supplies while transferring the configuration. If the device configuration needs to be stored to flash while the device is operating the power supplies, it should be done one configuration parameter at a time using the MFR\_STORE\_SINGLE command.

**USER NOTE:**  $V_{DD}$  must be above 2.9V for the device to perform the STORE\_DEFAULT\_ALL command.

### **MFR\_STORE\_SINGLE (Fch)**

MFR\_STORE\_SINGLE is a read/write word command that instructs the device to transfer a single configuration parameter to the internal flash memory array. The upper byte contains the PAGE and the lower byte contains the PMBus command that should be stored. For example, if the TON\_DELAY parameter for the power supply controlled by PAGE 4 needs to be stored to flash, 0460h would be written with this command. When read, this command reports the last single PAGE/command written to flash. This command can be used while the device is operating the power supplies. If an error occurs during the transfer,  $\overline{\text{ALERT}}$  asserts if enabled and the CML bit in STATUS\_WORD is set to 1. No bits are set in STATUS\_CML. **Note:** The MFR\_STORE\_SINGLE command should only be invoked a maximum of 85 times before either a device reset is issued or a device power cycle occurs, or the RESTORE\_DEFAULT\_ALL command is invoked. Also, MFR\_STORE\_SINGLE should not be used for commands that are not stored in flash. See [Table 1](#) for a list of commands that are stored in flash.

**USER NOTE:**  $V_{DD}$  must be above 2.9V for the device to perform the MFR\_STORE\_SINGLE command.

**Table 14. WRITE\_PROTECT Command Byte**

COMMAND BYTE	MEANING
80h	Disables all writes except the WRITE_PROTECT command.
40h	Disables all writes except the WRITE_PROTECT, OPERATION, and PAGE commands.
20h	Disables all writes except the WRITE_PROTECT, OPERATION, PAGE, and ON_OFF_CONFIG commands.
00h	Enables writes for all commands (default).

**Note:** No fault or error is generated if the host attempts to write to a protected area.

## PMBus 12-Channel Voltage Monitor and Sequencer

### **RESTORE\_DEFAULT\_ALL (12h)**

The RESTORE\_DEFAULT\_ALL command transfers the default configuration information from the internal flash memory array to the user memory registers in the device. The RESTORE\_DEFAULT\_ALL command should only be executed when the device is not operating the power supplies. Upon a device power-on reset or any device reset, this command is automatically executed by the device without PMBus action required. This command is write-only. There is no data byte for this command.

### **CAPABILITY (19h)**

The CAPABILITY command is used to determine some key capabilities of the device. The CAPABILITY command is read-only. The message content is described in [Table 15](#).

### **VOUT\_MODE (20h)**

The VOUT\_MODE command is used to report the data format of the device. The device uses the DIRECT format for all the voltage-related commands. The value returned is 40h, indicating DIRECT data format. This command is read-only. If a host attempts to write this command, the CML status bit is asserted. See [Table 3](#) for the m, b, and R values for the various commands.

### **VOUT\_MARGIN\_HIGH (25h)**

The VOUT\_MARGIN\_HIGH command loads the device with the voltage to which the power-supply output is to be changed when the OPERATION command is set to margin high. If the power supply is already operating at margin high, changing VOUT\_MARGIN\_HIGH has no effect on the output voltage. The device only adjusts

the power supply to the new VOUT\_MARGIN\_HIGH voltage after receiving a new margin-high OPERATION command. The 2 data bytes are in DIRECT format. If the device cannot successfully close-loop margin the power supply, the device keeps attempting to margin the supply and does the following:

- 1) Sets the MARGIN bit in STATUS\_WORD.
- 2) Sets the MARGIN\_FAULT bit in STATUS\_MFR\_SPECIFIC (PAGE 0–11).
- 3) Notifies the host through  $\overline{\text{ALERT}}$  assertion (if enabled in MFR\_MODE).

### **VOUT\_MARGIN\_LOW (26h)**

The VOUT\_MARGIN\_LOW command loads the device with the voltage to which the power-supply output is to be changed when the OPERATION command is set to margin low. If the power supply is already operating at margin low, changing VOUT\_MARGIN\_LOW has no effect on the output voltage. The device only adjusts the power supply to the new VOUT\_MARGIN\_LOW voltage after receiving a new margin-low OPERATION command. The 2 data bytes are in DIRECT format. If the device cannot successfully close-loop margin the power supply, the device keeps attempting to margin the supply and does the following:

- 1) Sets the MARGIN bit in STATUS\_WORD.
- 2) Sets the MARGIN\_FAULT bit in STATUS\_MFR\_SPECIFIC (PAGE 0–11).
- 3) Notifies the host through  $\overline{\text{ALERT}}$  assertion (if enabled in MFR\_MODE).

**Table 15. CAPABILITY Command Byte**

BIT	DESCRIPTION	MEANING
7	Packet-error checking	0 = PEC not supported.
6:5	PMBus speed	01 = Maximum supported bus speed is 400kHz.
4	ALERT	1 = Device supports an ALERT output (if ALERT is enabled in MFR_MODE). 0 = Device does not support ALERT output (ALERT is disabled in MFR_MODE).
3:0	Reserved	Always returns 0000.

## PMBus 12-Channel Voltage Monitor and Sequencer

### VOUT\_SCALE\_MONITOR (2Ah)

In applications where the measured power-supply voltage is not equal to the voltage at the ADC input, VOUT\_SCALE\_MONITOR is used. For example, if the ADC input expects a 1.8V input for a 12V output,  $VOUT\_SCALE\_MONITOR = 1.8V/12V = 0.15$ . In applications where the power-supply output voltage is greater than the device's 2.048V input range, the output voltage of the power supply is sensed through a resistive voltage-divider. The resistive voltage-divider reduces or scales

the output voltage. The PMBus commands specify the actual power-supply output voltages and not the input voltage to the ADC. To allow the device to map between the high power-supply voltages (such as 12V) and the voltage at the ADC input, the VOUT\_SCALE\_MONITOR command is used. The 2 data bytes are in DIRECT format. This value is dimensionless. For example, if the required scaling factor is 0.15, then VOUT\_SCALE\_MONITOR should be set to 1333h ( $4915/32767 = 0.15$ ). See [Table 16](#) for more examples.

**Table 16. VOUT\_SCALE\_MONITOR Examples**

NOMINAL VOLTAGE LEVEL MONITORED (V)	NOMINAL ADC INPUT VOLTAGE LEVEL (V)*	RESISTIVE VOLTGE-DIVIDER RATIO	VOUT_SCALE_MONITOR VALUE (hex)
1.8 or less	1.8	1.0	7FFFh
2.5	1.8	0.72	5C28h
3.3	1.8	0.545454	45D1h
5	1.8	0.36	2E14h
12	1.8	0.15	1333h

\*The full-scale ADC voltage on the device is 2.048V. A scaling factor where a 1.8V ADC input represents a nominal 100% voltage level is recommended to allow headroom for margining. Resistor-dividers with a maximum source impedance of 1kΩ must be used to measure voltage greater than 1.8V.

**Table 17. Parametric Monitoring States**

PARAMETER	REQUIRED CONDITIONS FOR ACTIVE MONITORING	ACTION DURING A FAULT
Overvoltage	<ul style="list-style-type: none"> <li>Power supply enabled (TON_MAX_FAULT_LIMIT ≠ 8000h to FFFFh)</li> </ul>	Stop monitoring while PSEn is inactive and resume monitoring before channel is restarted.
Undervoltage	<ul style="list-style-type: none"> <li>Power supply enabled (TON_MAX_FAULT_LIMIT ≠ 8000h to FFFFh)</li> <li>PSEn output is active</li> <li>Channel's VOUT must have exceeded VOUT_UV_FAULT during channel power-up</li> </ul>	Stop monitoring while the power supply is off.
Power-up time	<ul style="list-style-type: none"> <li>Power supply enabled (TON_MAX_FAULT_LIMIT ≠ 8000h to FFFFh or 0000h)</li> <li>PSEn output is active</li> </ul>	Monitor only during power-on.
Overtemperature	<ul style="list-style-type: none"> <li>Temp sensor enabled (ENABLE in MFR_TEMP_SENSOR_CONFIG = 1)</li> </ul>	Continue monitoring.

## **PMBus 12-Channel Voltage Monitor and Sequencer**

### ***VOUT\_OV\_FAULT\_LIMIT (40h)***

The VOUT\_OV\_FAULT\_LIMIT command sets the value of the output voltage that causes an output overvoltage fault. The monitored voltage must drop by at least 2% below the limit before the fault is allowed to clear. This fault is masked until the output voltage is below this limit for the first time. The 2 data bytes are in DIRECT format. In response to the VOUT\_OV\_FAULT\_LIMIT being exceeded, the device does the following:

- 1) Sets the VOUT\_OV bit and the VOUT bit in STATUS\_WORD.
- 2) Sets the VOUT\_OV\_FAULT bit in STATUS\_VOUT.
- 3) Responds as specified in the MFR\_FAULT\_RESPONSE.
- 4) Notifies the host through  $\overline{\text{ALERT}}$  assertion (if enabled in MFR\_MODE).

### ***VOUT\_OV\_WARN\_LIMIT (42h)***

The VOUT\_OV\_WARN\_LIMIT command sets the value of the output voltage that causes an output voltage high warning. The monitored voltage must drop by at least 2% below the limit before the warning is allowed to clear. This warning is masked until the output voltage is below this limit for the first time. This value is typically less than the output overvoltage threshold in VOUT\_OV\_FAULT\_LIMIT. The 2 data bytes are in DIRECT format. In response to the VOUT\_OV\_WARN\_LIMIT being exceeded, the device does the following:

- 1) Sets the VOUT bit in STATUS\_WORD.
- 2) Sets the VOUT\_OV\_WARN bit in STATUS\_VOUT.
- 3) Notifies the host using  $\overline{\text{ALERT}}$  assertion (if enabled in MFR\_MODE).

### ***VOUT\_UV\_WARN\_LIMIT (43h)***

The VOUT\_UV\_WARN\_LIMIT command sets the value of the output voltage that causes an output-voltage low warning. The monitored voltage must increase by at least 2% above the limit before the warning is allowed to clear. This value is typically greater than the output undervoltage fault threshold in VOUT\_UV\_FAULT\_LIMIT. This warning is masked until the output voltage reaches the programmed VOUT\_UV\_WARN\_LIMIT for the first time and also during turn-off when the power supply

is disabled. The 2 data bytes are in DIRECT format. In response to violation of the VOUT\_UV\_WARN\_LIMIT, the device does the following:

- 1) Sets the VOUT bit in STATUS\_WORD.
- 2) Sets the VOUT\_UV\_WARN bit in STATUS\_VOUT.
- 3) Notifies the host using  $\overline{\text{ALERT}}$  assertion (if enabled in MFR\_MODE).

### ***VOUT\_UV\_FAULT\_LIMIT (44h)***

The VOUT\_UV\_FAULT\_LIMIT command sets the value of the output voltage, which causes an output undervoltage fault. The monitored voltage must increase by at least 2% above the limit before the fault is allowed to clear. This fault is masked until the output voltage reaches the programmed VOUT\_UV\_FAULT\_LIMIT for the first time and also during turn-off when the power supply is disabled. The VOUT\_UV\_FAULT\_LIMIT threshold is also used to determine if TON\_MAX\_FAULT\_LIMIT is exceeded. The 2 data bytes are in DIRECT format. In response to violation of the VOUT\_UV\_FAULT\_LIMIT, the device does the following:

- 1) Sets the VOUT bit in STATUS\_WORD.
- 2) Sets the VOUT\_UV\_FAULT bit in STATUS\_VOUT.
- 3) Responds as specified in MFR\_FAULT\_RESPONSE.
- 4) Notifies the host using  $\overline{\text{ALERT}}$  assertion (if enabled in MFR\_MODE).

### ***OT\_FAULT\_LIMIT (4Fh)***

The OT\_FAULT\_LIMIT command sets the temperature, in degrees Celsius, of the selected temperature sensor at which an overtemperature fault is detected. The monitored temperature must drop by at least 4°C below the limit before the fault is allowed to clear. The 2 data bytes are in DIRECT format. In response to the OT\_FAULT\_LIMIT being exceeded, the device does the following:

- 1) Sets the TEMPERATURE bit in STATUS\_WORD.
- 2) Sets the OT\_FAULT bit in STATUS\_TEMPERATURE register.
- 3) Responds as specified in the MFR\_FAULT\_RESPONSE.
- 4) Notifies the host using  $\overline{\text{ALERT}}$  assertion (if enabled in MFR\_MODE).



## PMBus 12-Channel Voltage Monitor and Sequencer

### **OT\_WARN\_LIMIT (51h)**

The OT\_WARN\_LIMIT command sets the temperature, in degrees Celsius, of the selected temperature sensor at which an overtemperature warning is detected. The monitored temperature must drop by at least 4°C below the limit before the warning is allowed to clear. The 2 data bytes are in DIRECT format. In response to the OT\_WARN\_LIMIT being exceeded, the device does the following:

- 1) Sets the TEMPERATURE bit in STATUS\_WORD.
- 2) Sets the OT\_WARN bit in STATUS\_TEMPERATURE register.
- 3) Notifies the host through  $\overline{\text{ALERT}}$  assertion (if enabled in MFR\_MODE).

### **POWER\_GOOD\_ON (5Eh)**

The POWER\_GOOD\_ON command sets the value of the output voltage, which causes the PG output (and the PG2 output in dual-sequencing mode) to assert. All power supplies must be above their associated POWER\_GOOD\_ON thresholds before the PG output is asserted. Unused channels or disabled power supplies can use the test mode described in the user note below to force power good on the associated channel. All power supplies must also be above POWER\_GOOD\_ON for power-supply margining to begin. The POWER\_GOOD\_ON level is normally set higher than the POWER\_GOOD\_OFF level. The 2 data bytes are in DIRECT format.

**USER NOTE:** There is a special test mode that forces a channel into and out of a power good state based on two unique values. If either of these settings is configured into POWER\_GOOD\_ON, the actual measured power-supply voltage is ignored and the logical state is forced.

- Force power-good deassert = POWER\_GOOD\_ON = 7FFFh
- Force power-good assert = POWER\_GOOD\_ON = 0000h

### **POWER\_GOOD\_OFF (5Fh)**

The POWER\_GOOD\_OFF command sets the value of the output voltage that causes the PG output to deassert after it has been asserted. Any power supply that falls below the associated POWER\_GOOD\_OFF threshold causes the PG output to be deasserted. The POWER\_GOOD\_OFF level is normally set lower than the POWER\_GOOD\_ON level. The 2 data bytes are in DIRECT format.

When the  $V_{\text{OUT}}$  level of a power supply falls from greater than POWER\_GOOD\_ON to less than POWER\_GOOD\_OFF, the device does the following:

- 1) Sets the POWER\_GOOD# bit in STATUS\_WORD.
- 2) Sets the POWER\_GOOD# bit in STATUS\_MFR\_SPECIFIC register (PAGE 0–11).

### **TON\_DELAY (60h)**

In the PMBus-sequencing configuration, TON\_DELAY sets the time, in milliseconds, from when a START condition is received (a valid OPERATION command or through the CONTROL pin when enabled) until the PSENn output is asserted. In the timeslot-sequencing configuration, TON\_DELAY sets the time, in milliseconds, from the beginning of a timeslot until the PSENn output is asserted. The undervoltage fault and warning are masked off during TON\_DELAY. The 2 data bytes are in DIRECT format.

### **TOFF\_DELAY (64h)**

The TOFF\_DELAY sets the time, in milliseconds, from when a STOP condition is received (a soft-off OPERATION command or through the CONTROL pin when enabled) until the PSENn output is deasserted. When commanded to turn off immediately (either through the OPERATION command or the CONTROL pin), the TOFF\_DELAY value is ignored. The 2 data bytes are in DIRECT format.

## PMBus 12-Channel Voltage Monitor and Sequencer

**Table 18. TON\_MAX\_FAULT\_LIMIT Device Response**

SEQUENCING CONFIGURATION (NOTE 2)	TON_MAX_FAULT_LIMIT VALUE	DEVICE RESPONSE (FOR EACH ASSOCIATED PAGE) (NOTE 1)		
		SEQUENCING RESPONSE	VOLTAGE FAULT MONITORING (NOTE 3)	USE PSEn AS GPO (NOTE 4)
Standard	0001h to 7FFFh	Device asserts PSEn and monitors RSn to cross the undervoltage-fault limit in the time set by TON_MAX_FAULT_LIMIT.	Enabled	No
Blind	0000h	Device asserts PSEn and monitors RSn but does not wait for RS to cross the undervoltage-fault limit. In timeslot sequencing, this channel exceeding undervoltage-fault limit is not used to time the start of the next timeslot.	Enabled	No
Monitoring only	0000h	PSEn should be configured as GPO and RSn monitoring for faults and warnings is enabled. In timeslot sequencing, this channel should be assigned to timeslot 0 and TON_DELAY should be set to 0.	Enabled	Yes
Off	8000h to FFFFh	PSEn should be configured as GPO and RSn monitoring for faults and warnings is disabled.	Defeated	Yes

**Note 1:** There is one-to-one correspondence between the RSn input and the PSEn output for each page.

**Note 2:** See [Figure 5](#) for example hardware configurations.

**Note 3:** Voltage monitoring includes overvoltage and undervoltage.

**Note 4:** The GPO configuration for PSEn is set with the MFR\_PSEN\_CONFIG command and can be configured to override the normal sequencing action of the PSEn output.

### **TON\_MAX\_FAULT\_LIMIT (62h)**

The TON\_MAX\_FAULT\_LIMIT sets an upper time limit, in milliseconds, from when the PSEn output is asserted until the output voltage crosses the VOUT\_UV\_FAULT\_LIMIT threshold. The 2 data bytes are in DIRECT format. If the value is less than zero, then the power supply is not sequenced by the device and the associated PSEn output remains deasserted and voltage faults are disabled. See [Table 18](#) for more details. In response to the TON\_MAX\_FAULT\_LIMIT being exceeded, the device does the following:

- 1) Sets the VOUT bit in STATUS\_WORD.
- 2) Sets the TON\_MAX\_FAULT bit in STATUS\_VOUT.
- 3) Responds as specified in the MFR\_FAULT\_RESPONSE.
- 4) Notifies the host using  $\overline{\text{ALERT}}$  assertion (if enabled in MFR\_MODE).

If an event is still present when the CLEAR\_FAULTS command is issued, the bit is immediately asserted once again. When the  $\overline{\text{ALERT}}$  latch is cleared, if any events are still present, they do not reassert the  $\overline{\text{ALERT}}$  output.



## PMBus 12-Channel Voltage Monitor and Sequencer

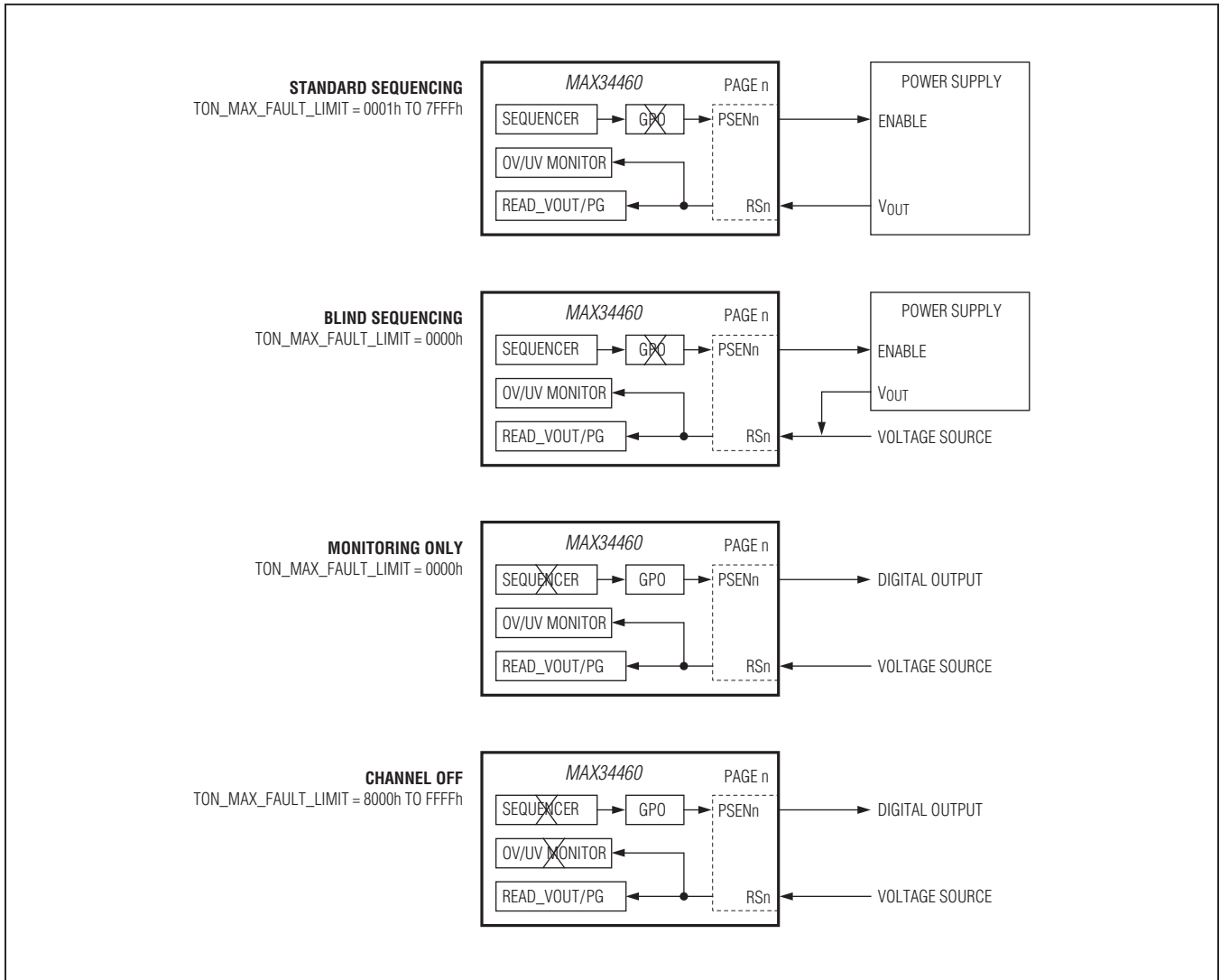


Figure 5. Sequencing Configurations

## PMBus 12-Channel Voltage Monitor and Sequencer

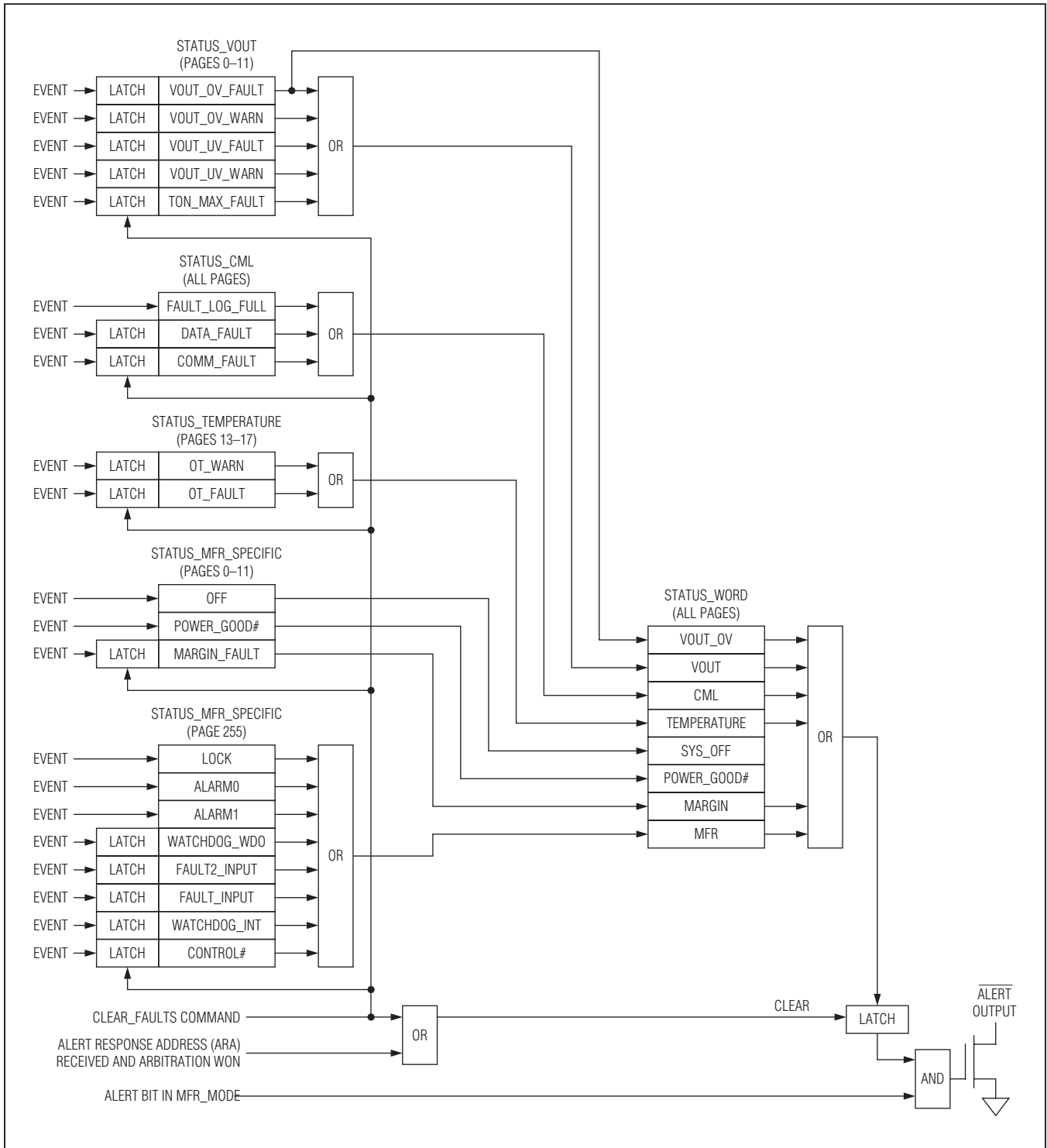


Figure 6. Status Register Organization

## PMBus 12-Channel Voltage Monitor and Sequencer

### STATUS\_WORD (79h)

The STATUS\_WORD command returns 2 bytes of information with a summary of the reason for a fault. The STATUS\_WORD message content is described in [Table 19](#). See [Figure 6](#) for status register organization.

### STATUS\_VOUT (7Ah)

The STATUS\_VOUT command returns 1 byte of information with contents, as described in [Table 20](#). All the bits in STATUS\_VOUT are latched. When cleared, the bits are set again if the condition persists, or in the case of TON\_MAX\_FAULT, when the event occurs again.

**Table 19. STATUS\_WORD**

BIT	NAME	MEANING
15	VOUT	An output voltage fault or warning or TON_MAX_FAULT has occurred.
14	0	This bit always returns a 0.
13	0	This bit always returns a 0.
12	MFR	A bit in STATUS_MFR_SPECIFIC (PAGE = 255) has been set.
11	POWER_GOOD#	Any power-supply voltage has fallen from POWER_GOOD_ON to less than POWER_GOOD_OFF (logical OR of all the POWER_GOOD# bits in STATUS_MFR_SPECIFIC).
10	0	This bit always returns a 0.
9	0	This bit always returns a 0.
8	MARGIN	A margining fault has occurred.
7	0	This bit always returns a 0.
6	SYS_OFF	Set when any of the power supplies are sequenced off (logical OR of all the OFF bits in STATUS_MFR_SPECIFIC).
5	VOUT_OV	An overvoltage fault has occurred.
4	0	This bit always returns a 0.
3	0	This bit always returns a 0.
2	TEMPERATURE	A temperature fault or warning has occurred.
1	CML	A communication, memory, or logic fault has occurred.
0	0	This bit always returns a 0.

**Note:** The setting of the SYS\_OFF and POWER\_GOOD# bits do not assert the  $\overline{\text{ALERT}}$  signal.

**Table 20. STATUS\_VOUT**

BIT	NAME	MEANING	LATCHED
7	VOUT_OV_FAULT	VOUT overvoltage fault.	Yes
6	VOUT_OV_WARN	VOUT overvoltage warning.	Yes
5	VOUT_UV_WARN	VOUT undervoltage warning.	Yes
4	VOUT_UV_FAULT	VOUT undervoltage fault.	Yes
3	0	This bit always returns a 0.	—
2	TON_MAX_FAULT	TON maximum fault.	Yes
1	0	This bit always returns a 0.	—
0	0	This bit always returns a 0.	—

## PMBus 12-Channel Voltage Monitor and Sequencer

### STATUS\_TEMPERATURE (7Dh)

The STATUS\_TEMPERATURE command returns 1 byte of information with contents, as described in [Table 21](#). All the bits in STATUS\_VOUT are latched. When cleared, the bits are set again if the condition persists.

### STATUS\_CML (7Eh)

The STATUS\_CML command returns 1 byte of information with contents, as described in [Table 22](#). The COMM\_FAULT and DATA\_FAULT bits are latched. When cleared, the bits are set again when the event occurs again. The FAULT\_LOG\_FULL bit reflects the current real-time state of the fault log.

**Table 21. STATUS\_TEMPERATURE**

BIT	NAME	MEANING	LATCHED
7	OT_FAULT	Overtemperature fault.	Yes
6	OT_WARN	Overtemperature warning.	Yes
5	0	This bit always returns a 0.	—
4	0	This bit always returns a 0.	—
3	0	This bit always returns a 0.	—
2	0	This bit always returns a 0.	—
1	0	This bit always returns a 0.	—
0	0	This bit always returns a 0.	—

**Table 22. STATUS\_CML**

BIT	NAME	MEANING	LATCHED
7	COMM_FAULT	An invalid or unsupported command has been received.	Yes
6	DATA_FAULT	An invalid or unsupported data has been received.	Yes
5	0	This bit always returns a 0.	—
4	0	This bit always returns a 0.	—
3	0	This bit always returns a 0.	—
2	0	This bit always returns a 0.	—
1	0	This bit always returns a 0.	—
0	FAULT_LOG_FULL	MFR_NV_FAULT_LOG is full and needs to be cleared.*	No

\*When NV Fault Log Overwrite is enabled (NV\_LOG\_OVERWRITE = 1 in MFR\_NV\_LOG\_CONFIG), FAULT\_LOG\_FULL will be set when the fault log is full but will clear when the fault log is overwritten since two fault logs are cleared before each overwrite.

## PMBus 12-Channel Voltage Monitor and Sequencer

### STATUS\_MFR\_SPECIFIC (80h)

The STATUS\_MFR\_SPECIFIC message content varies based on the selected page, and is described in [Table 23](#) and [Table 24](#).

### READ\_VOUT (8Bh)

The READ\_VOUT command returns the actual measured (not commanded) output voltage. READ\_VOUT is measured and updated every 5ms. The 2 data bytes are in DIRECT format.

**Table 23. STATUS\_MFR\_SPECIFIC (for PAGES 0–11)**

BIT	NAME	MEANING	LATCHED
7	OFF	For enabled channels ( $TON\_MAX\_FAULT\_LIMIT \geq 0$ ), this bit reflects the output state of the sequencer and is set when PSEn is not asserted due to either a sequencing delay or fault, or the power supply being turned off. This bit is always cleared when the channel is disabled ( $TON\_MAX\_FAULT\_LIMIT < 0$ ). If PSEn is reconfigured as a GPO, this bit does not reflect the state of the pin.	No
6	0	This bit always returns a 0.	—
5	0	This bit always returns a 0.	—
4	0	This bit always returns a 0.	—
3	MARGIN_FAULT	This bit is set if the device cannot properly close-loop margin the power supply.	Yes
2	POWER_GOOD#	This bit is set when the power-supply voltage has fallen from POWER_GOOD_ON to less than POWER_GOOD_OFF. In the PG test mode, this bit reflects the forced PG state. On device reset, this bit is set until the power supply is greater than POWER_GOOD_ON.	No
1	0	This bit always returns a 0.	—
0	0	This bit always returns a 0.	—

**Note:** The setting of the OFF and POWER\_GOOD# bits do not assert the  $\overline{ALERT}$  signal.

**Table 24. STATUS\_MFR\_SPECIFIC (for PAGE 255)**

BIT	NAME	MEANING	LATCHED
7	LOCK	Set when the device is password protected (Note 1).	No
6	FAULT_INPUT	Set each time the $\overline{FAULT}$ input is pulled low (Note 2).	Yes
5	FAULT2_INPUT	Set each time the $\overline{FAULT2}$ input is pulled low (Note 2).	Yes
4	WATCHDOG_INT	Set upon device reset when the internal watchdog has caused the device reset.	Yes
3	CONTROL#	Set each time the $\overline{CONTROL}$ input is deasserted (Note 3).	Yes
2	WDO	Set each time the external $\overline{WDO}$ pin is asserted.	Yes
1	ALARM1	Set when the $\overline{ALARM1}$ output is active.	No
0	ALARM0	Set when the $\overline{ALARM0}$ output is active.	No

**Note 1:** The setting of the LOCK bit does not assert the  $\overline{ALERT}$  signal.

**Note 2:** The FAULTn status bits are set even if the FAULTn pins are configured in MFR\_MODE to ignore the  $\overline{FAULT}$  pin. The FAULT2\_INPUT status bit only functions if the device is in dual-sequencing mode.

**Note 3:** In dual-sequencing mode, either CONTROL input sets this bit. ON\_OFF\_CONFIG must be set to use the CONTROL pin for this status bit to function.

## PMBus 12-Channel Voltage Monitor and Sequencer

### **READ\_TEMPERATURE\_1 (8Dh)**

The READ\_TEMPERATURE\_1 command returns the temperature returned from the temperature sensor. READ\_TEMPERATURE\_1 returns 7FFFh if the sensor is faulty and 0000h if the sensor is disabled. READ\_TEMPERATURE\_1 is measured and updated once per second. The 2 data bytes are in DIRECT format.

### **PMBUS\_REVISION (98h)**

The PMBUS\_REVISION command returns the revision of the PMBus specification to which the device is compliant. The command has 1 data byte. Bits [7:4] indicate the revision of PMBus specification Part I to which the device is compliant. Bits [3:0] indicate the revision of PMBus specification Part II to which the device is compliant. This command is read-only. The PMBUS\_REVISION value returned is always 11h, which indicates that the device is compliant with Part I Rev 1.1 and Part II Rev 1.1.

### **MFR\_ID (99h)**

The MFR\_ID command returns the text (ISO/IEC 8859-1) character of the manufacturer's (Maxim) identification. The default MFR\_ID value is 4Dh (M). This command is read-only.

### **MFR\_MODEL (9Ah)**

The MFR\_MODEL command returns the text (ISO/IEC 8859-1) character of the device model number. The default MFR\_MODEL value is 57h (W). This command is read-only.

### **MFR\_REVISION (9Bh)**

The MFR\_REVISION command returns two text (ISO/IEC 8859-1) characters that contain the device revision numbers for hardware (upper byte) and firmware (lower byte). This command is read-only.

### **MFR\_LOCATION (9Ch)**

The MFR\_LOCATION command loads the device with text (ISO/IEC 8859-1) characters that identify the facility that manufactures the power supply. The maximum number of characters is 8. This data is written to internal flash using the STORE\_DEFAULT\_ALL command. The factory default text string value is 10101010.

### **MFR\_DATE (9Dh)**

The MFR\_DATE command loads the device with text (ISO/IEC 8859-1) characters that identify the date of manufacture of the power supply. The maximum number of characters is 8. This data is written to internal flash using the STORE\_DEFAULT\_ALL command. The factory-default text string value is 10101010.

### **MFR\_SERIAL (9Eh)**

The MFR\_SERIAL command loads the device with text (ISO/IEC 8859-1) characters that uniquely identify the device. The maximum number of characters is 8. This data is written to internal flash using the STORE\_DEFAULT\_ALL command. The factory-default text string value is 10101010. The upper 4 bytes of MFR\_SERIAL are used to unlock a device that has been password protected. The lower 4 bytes of MFR\_SERIAL are not used to unlock a device and can be set to any value.

### **MFR\_MODE (D1h)**

The MFR\_MODE command is used to configure the device to support manufacturer-specific commands. The MFR\_MODE command should not be changed while power supplies are operating. The MFR\_MODE command is described in [Table 25](#).

## PMBus 12-Channel Voltage Monitor and Sequencer

**Table 25. MFR\_MODE**

BIT	NAME	MEANING	
15:14	MULTI_SEQ[1:0]	These bits set the sequencing configuration for the primary sequencing group. The secondary sequencing group should not use cascaded sequencing if the group involves multiple devices. 00 = Single device or multiple devices with Common Control or Common OPERATION Command. 01 = Multiple devices with cascaded sequencing–slave device. 10 = Multiple devices with cascaded sequencing–master device with latching. 11 = Multiple devices with cascaded sequencing–master device with retry.	
13	ALERT	0 = $\overline{\text{ALERT}}$ disabled (device does not respond to ARA). 1 = $\overline{\text{ALERT}}$ enabled (device does respond to ARA).	
12	SEQ	0 = PMBus-defined time-based sequencing. 1 = Timeslot-defined event-based sequencing.	
11	SOFT_RESET	This bit must be set, then cleared and set again within 8ms for a soft-reset to occur.	
10	LOCK	This bit must be set, then cleared and set again within 8ms for the device to become password protected. This bit is cleared when the password is unlocked. The device should only be locked and then unlocked a maximum of 256 times before either a device reset is issued or a device power cycle occurs.	
9:8	0	These bits always return a 0.	
7:6	ADC_TIME[1:0]	These bits select the ADC conversion time.	
		<b>ADC_TIME[1:0]</b>	<b>ADC CONVERSION TIME (<math>\mu\text{s}</math>)</b>
		00	1
		01	2
		10	4
11	8		
5	DUAL_SEQ	0 = Single-sequence mode. 1 = Dual-sequence mode.	
4	FAULT_IGNORE	0 = Shut down all GLOBAL primary channels when $\overline{\text{FAULT}}$ is pulled low. 1 = Ignore $\overline{\text{FAULT}}$ if pulled low ( $\overline{\text{FAULT}}$ still asserted as configured in MFR_FAULT_RESPONSE).	
3:2	ADC_AVERAGE[1:0]	These bits select the post ADC conversion averaging:	
		<b>ADC_AVERAGE[1:0]</b>	<b>ADC AVERAGING</b>
		00	No averaging
		01	Average 2 samples
		10	Average 4 samples
11	Average 8 samples		
1	FAULT2_IGNORE	0 = Shut down all GLOBAL secondary channels when $\overline{\text{FAULT2}}$ is pulled low. 1 = Ignore $\overline{\text{FAULT2}}$ if pulled low ( $\overline{\text{FAULT2}}$ still asserted as configured in MFR_FAULT_RESPONSE).	
0	ALARM_CLR	Setting this bit to a 1 clears $\overline{\text{ALARM0}}$ and $\overline{\text{ALARM1}}$ if they are asserted. Once set, the device clears this bit when the action is completed. The host must set again for subsequent action.	

## PMBus 12-Channel Voltage Monitor and Sequencer

### **MFR\_PSEN\_CONFIG (D2h)**

The MFR\_PSEN\_CONFIG command is used to configure the individual PSEn outputs. This command should not

be changed while the power supplies are operating. The MFR\_PSEN\_CONFIG command is described in [Table 26](#) and [Table 27](#).

**Table 26. PSEn Configuration**

COMMAND BYTE	PSEn CONFIGURATION		
00	Normal power-supply enable/disable control action	Active low	Push-pull
40		Active high	
80		Active low	Open drain
C0		Active high	
01	Override action (GPO mode)	Force low	Push-pull
41		Force high	
81		Force low	Open drain
C1		Force high	

**Table 27. MFR\_PSEN\_CONFIG**

BIT	NAME	MEANING
7	PSEN_PP_OD	0 = PSEn push-pull output. 1 = PSEn open-drain output.
6	PSEN_HI_LO	0 = PSEn active-low. 1 = PSEn active-high.
5:1	0	These bits always return a 0.
0	OVERRIDE	When this bit is set to a 1, the associated PSEn output pin no longer responds as a normal enable/disable for the power supply, but rather is forced active either high or low as indicated by bit 6 and is configured as either open drain or push-pull as configured by bit 7.



## PMBus 12-Channel Voltage Monitor and Sequencer

### **MFR\_SEQ\_TIMESLOT (D3h)**

The MFR\_SEQ\_TIMESLOT command is used in the timeslot-defined sequencing mode (SEQ bit in MFR\_MODE is set) to determine which timeslot the PSEn output is associated with and the command is also used in the dual-sequencing mode (DUAL\_SEQ bit in MFR\_MODE is set) to assign channels to a group. In the timeslot-defined sequencing mode, multiple PSEn outputs can be assigned to the same timeslot. Not all timeslots must be used, but the ordering must be sequential. GLOBAL channels must start with timeslot 0. LOCAL channels can be assigned to any timeslot. The MFR\_SEQ\_TIMESLOT command is described in [Table 28](#).

### **MFR\_VOUT\_PEAK (D4h)**

The MFR\_VOUT\_PEAK command returns the maximum actual measured output voltage. To reset this value to 0, write to this command with a data value of 0. Any values written to this command are used as a comparison for future peak updates. The 2 data bytes are in DIRECT format.

### **MFR\_TEMPERATURE\_PEAK (D6h)**

The MFR\_TEMPERATURE\_PEAK command returns the maximum measured temperature. To reset this value to its lowest value, write to this command with a data value of 8000h. Any other values written by this command are used as a comparison for future peak updates. The 2 data bytes are in DIRECT format.

### **MFR\_VOUT\_MIN (D7h)**

The MFR\_VOUT\_MIN command returns the minimum actual measured output voltage. To reset this value, write to this command with a data value of 7FFFh. Any values written to this command are used as a comparison for future minimum updates. The 2 data bytes are in DIRECT format.

### **MFR\_TEMPERATURE\_AVG (E3h)**

The MFR\_TEMPERATURE\_AVG command returns the calculated average temperature. To reset the average, write to this command with a data value of 0. Any other values written by this command are ignored. The 2 data bytes are in DIRECT format.

**Table 28. MFR\_SEQ\_TIMESLOT**

BIT	NAME	MEANING																																
7:6	0	These bits always return a 0.																																
5	GROUP (dual-sequence mode only)	This bit is used in dual-sequencing mode to determine the sequencing channel assignment. This bit is ignored if the dual-sequencing mode is disabled (DUAL_SEQ bit in MFR_MODE is cleared). 0 = Channel is assigned to the primary sequencing group. 1 = Channel is assigned to the secondary sequencing group.																																
4	0	These bits always return a 0.																																
3:0	TIMESLOT[3:0]	Timeslot assignment (ignored in PMBus sequence mode): <table border="0"> <tr> <td>0000</td> <td>Timeslot 0</td> <td>1000</td> <td>Timeslot 8</td> </tr> <tr> <td>0001</td> <td>Timeslot 1</td> <td>1001</td> <td>Timeslot 9</td> </tr> <tr> <td>0010</td> <td>Timeslot 2</td> <td>1010</td> <td>Timeslot 10</td> </tr> <tr> <td>0011</td> <td>Timeslot 3</td> <td>1011</td> <td>Timeslot 11</td> </tr> <tr> <td>0100</td> <td>Timeslot 4</td> <td>1100</td> <td>Reserved</td> </tr> <tr> <td>0101</td> <td>Timeslot 5</td> <td>1101</td> <td>Reserved</td> </tr> <tr> <td>0110</td> <td>Timeslot 6</td> <td>1110</td> <td>Reserved</td> </tr> <tr> <td>0111</td> <td>Timeslot 7</td> <td>1111</td> <td>Reserved</td> </tr> </table>	0000	Timeslot 0	1000	Timeslot 8	0001	Timeslot 1	1001	Timeslot 9	0010	Timeslot 2	1010	Timeslot 10	0011	Timeslot 3	1011	Timeslot 11	0100	Timeslot 4	1100	Reserved	0101	Timeslot 5	1101	Reserved	0110	Timeslot 6	1110	Reserved	0111	Timeslot 7	1111	Reserved
0000	Timeslot 0	1000	Timeslot 8																															
0001	Timeslot 1	1001	Timeslot 9																															
0010	Timeslot 2	1010	Timeslot 10																															
0011	Timeslot 3	1011	Timeslot 11																															
0100	Timeslot 4	1100	Reserved																															
0101	Timeslot 5	1101	Reserved																															
0110	Timeslot 6	1110	Reserved																															
0111	Timeslot 7	1111	Reserved																															

## PMBus 12-Channel Voltage Monitor and Sequencer

### **MFR\_NV\_LOG\_CONFIG (D8h)**

The MFR\_NV\_LOG\_CONFIG command is used to configure the operation of the nonvolatile fault logging

in the device. The MFR\_NV\_LOG\_CONFIG command is described in [Table 29](#).

**Table 29. MFR\_NV\_LOG\_CONFIG**

BIT	NAME	MEANING															
15	FORCE_NV_FAULT_LOG	Setting this bit to a 1 forces the device to log data into the nonvolatile fault log. Once set, the device clears this bit when the action is completed. The host must set again for subsequent action. If an error occurs during this action, the device sets the CML bit in STATUS_WORD; no bits are set in STATUS_CML.															
14	CLEAR_NV_FAULT_LOG	Setting this bit to a 1 forces the device to clear the nonvolatile fault log by writing FFh to all byte locations. Once set, the device clears this bit when the action is completed. The host must set again for subsequent action. If an error occurs during this action, the device sets the CML bit in STATUS_WORD; no bits are set in STATUS_CML. While clearing the fault log, monitoring is stopped and commands should not be sent to the PMBus port.															
13:11	0	These bits always return a 0.															
10	NV_LOG_T0_CONFIG	This bit determines the source of the data written into the T0 location of each page when a nonvolatile fault log is written. 0 = Log the last regular collection interval ADC reading. 1 = Read the latest ADC value before logging.															
9	NV_LOG_OVERWRITE	0 = Do not overwrite the NV fault log. 1 = Overwrite the NV fault log once it is full.*															
8:7	NV_LOG_DEPTH[1:0]	These bits determine the depth of the NV fault log: <b>ADC RESULT COLLECTION NV FAULT LOG</b> <table border="1"> <thead> <tr> <th>NV_LOG_DEPTH[1:0]</th> <th>INTERVAL (ms)</th> <th>DEPTH (ms)</th> </tr> </thead> <tbody> <tr> <td>00</td> <td>5</td> <td>25</td> </tr> <tr> <td>01</td> <td>20</td> <td>100</td> </tr> <tr> <td>10</td> <td>80</td> <td>400</td> </tr> <tr> <td>11</td> <td>160</td> <td>800</td> </tr> </tbody> </table>	NV_LOG_DEPTH[1:0]	INTERVAL (ms)	DEPTH (ms)	00	5	25	01	20	100	10	80	400	11	160	800
NV_LOG_DEPTH[1:0]	INTERVAL (ms)	DEPTH (ms)															
00	5	25															
01	20	100															
10	80	400															
11	160	800															
6	NV_LOG_FAULT	0 = Do not write NV fault log when $\overline{\text{FAULT}}$ or $\overline{\text{FAULT2}}$ is externally pulled low. 1 = Write NV fault log when $\overline{\text{FAULT}}$ or $\overline{\text{FAULT2}}$ is externally pulled low if the FAULT_IGNORE or FAULT_IGNORE2 bits are not set in MFR_MODE.															
5:0	0	These bits always return a 0.															

\*The device clears two fault logs at a time when overwrite is enabled.

## PMBus 12-Channel Voltage Monitor and Sequencer

### MFR\_FAULT\_RESPONSE (D9h)

The MFR\_FAULT\_RESPONSE command specifies the response to each fault or warning condition supported by the device. In response to a fault/warning, the device always reports the fault/warning in the appropriate status register and asserts the  $\overline{\text{ALERT}}$  output (if enabled in MFR\_MODE). A CML fault cannot cause any device action other than setting the status bit and asserting the  $\overline{\text{ALERT}}$  output. The MFR\_FAULT\_RESPONSE command is described in [Table 30](#) and [Figure 7](#).

### LOCAL vs. GLOBAL Channels

With the MFR\_FAULT\_RESPONSE command (bit 14), each power-supply channel can be tagged as either being LOCAL or GLOBAL. When bit 14 is cleared, the channel is configured as a LOCAL channel, which means that a detected fault only affects this channel. With the RESPONSE bits in the MFR\_FAULT\_RESPONSE command, the device can be configured to respond differently to each possible fault. When bit 14 is set, the

channel is configured as a GLOBAL channel, which means that a detected fault on this channel affects all other channels also tagged as GLOBAL channels within their respective sequencing group (i.e., either the primary or secondary sequencing group). Also, any GLOBAL channel can be configured to assert their associated hardware fault signal pins ( $\overline{\text{FAULT}}$  for the primary sequencing group and  $\overline{\text{FAULT2}}$  for the secondary sequencing group). Only GLOBAL channels respond to assertions of the fault pins; LOCAL channels do not respond to the fault pins. In the timeslot-defined sequencing mode, GLOBAL channels must start with timeslot 0. LOCAL channels can be assigned to any timeslot.

### Fault Detection Before PSEnN Assertion

Before any power-supply channel is enabled, the device checks for overvoltage and temperature faults. With GLOBAL channels, all channels must be clear of faults and the fault pins must be deasserted (if enabled) before the channels are allowed to be enabled.

**Table 30. MFR\_FAULT\_RESPONSE (Note 1)**

BIT	NAME	MEANING
15	NV_LOG	0 = Do not log the fault into MFR_NV_FAULT_LOG. 1 = Log the fault into MFR_NV_FAULT_LOG.
14	GLOBAL	0 = LOCAL (affects only the selected page power supply). 1 = GLOBAL (affects all supplies with GLOBAL = 1).
13:12	FILTER[1:0]	Excursion time before a fault or warning is declared and action is taken (Note 2). 00 = Immediate 01 = 2ms 10 = 3ms 11 = 4ms
11:8	ALARM_CONFIG[3:0]	See Table 31.
7:6	OT_FAULT_LIMIT_RESPONSE[1:0]	See Tables 32 and 33 (Notes 3 and 4).
5:4	TON_MAX_FAULT_LIMIT_RESPONSE[1:0]	See Tables 32 and 33.
3:2	VOUT_UV_FAULT_LIMIT_RESPONSE[1:0]	See Tables 32 and 33.
1:0	VOUT_OV_FAULT_LIMIT_RESPONSE[1:0]	See Tables 32 and 33.

**Note 1:** The fault response for power-supply faults is determined by the programmed MFR\_FAULT\_RESPONSE for the faulting channel. If this channel is part of a GLOBAL group, this fault response is performed for all of the GLOBAL channels.

**Note 2:** The FILTER selection does not apply to temperature or sequencing faults.

**Note 3:** All enabled temperature-sensor faults are logically ORed together.

**Note 4:** Temperature faults affect all enabled power supplies. Supplies that are designated as GLOBAL all respond in the same manner. This response is the worst-case response of the GLOBAL channels for the given fault. Supplies that are not GLOBAL respond to a temperature fault based upon the programmed response for the particular supply.

# PMBus 12-Channel Voltage Monitor and Sequencer

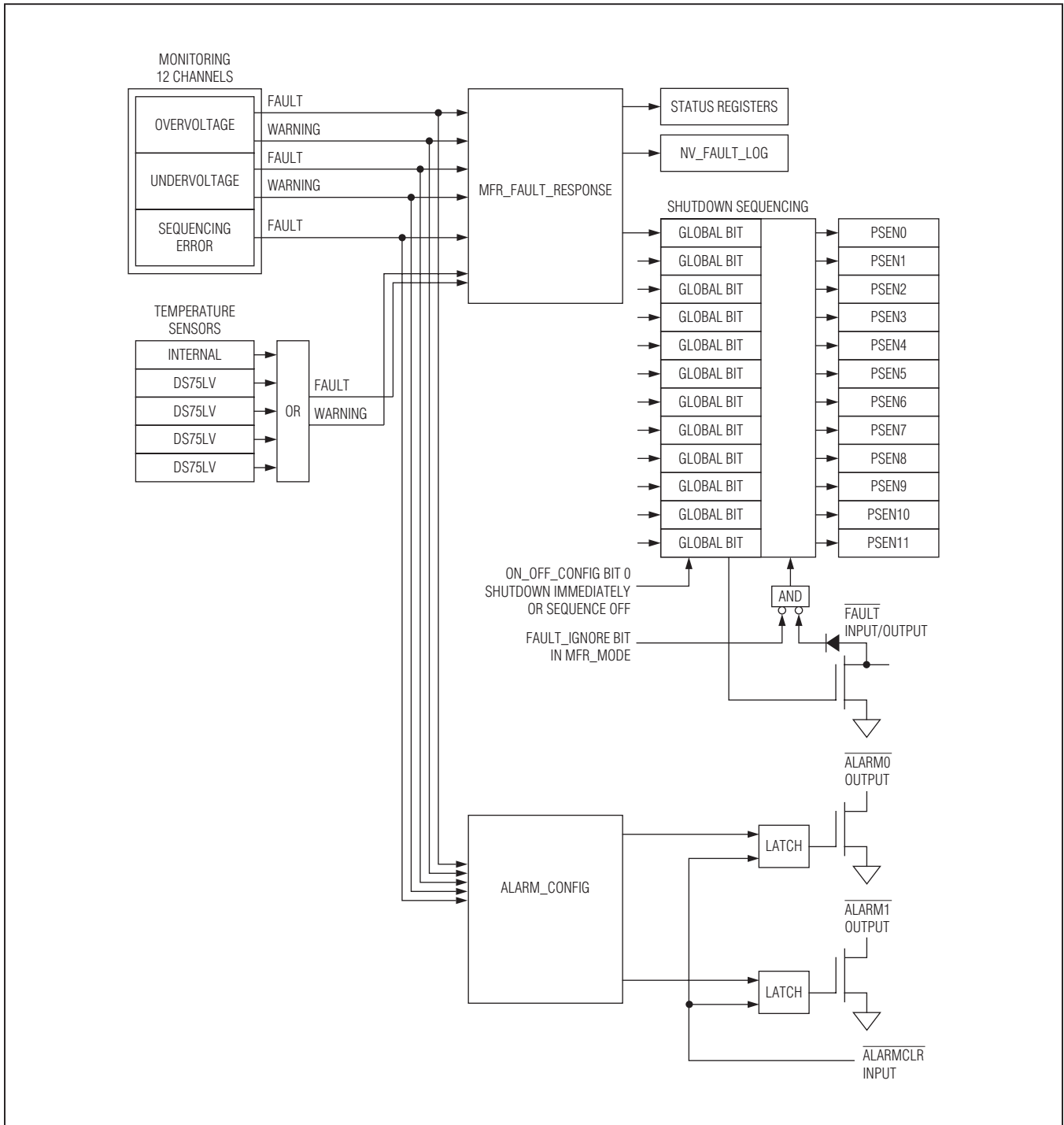


Figure 7. MFR\_FAULT\_RESPONSE Operation

## PMBus 12-Channel Voltage Monitor and Sequencer

### Logging Faults into MFR\_NV\_FAULT\_LOG

If bit 15 of MFR\_FAULT\_RESPONSE is set, faults are logged into the on-board nonvolatile fault log for this channel unless the response for the associated fault is configured to take no action (RESPONSE[1:0] = 00). To keep from needlessly filling the fault log with excessive data, the following rules are applied when subsequent faults occur. When overvoltage faults occur, subsequent overvoltage faults on this channel are not written to the

fault log until either the CLEAR\_FAULTS command is issued or the associated PSENN output has been deasserted for any reason. The same rule applies to undervoltage. When an overtemperature fault occurs, subsequent overtemperature faults on the faulting temperature sensor are not written to the fault log until a CLEAR\_FAULTS command is written. All sequencing faults are written to the fault log.

**Table 31. ALARM\_CONFIG Codes**

ALARM_CONFIG[3:0]	ALARM OUTPUT SELECTED	ALARM CONDITION	ALARM CRITERIA
0000	ALARM0	None	—
0001	ALARM0	Sequencing fault	Fault only
0010	ALARM0	Undervoltage only	Fault only
0011	ALARM0	Undervoltage only	Fault or warning
0100	ALARM0	Overvoltage only	Fault only
0101	ALARM0	Overvoltage only	Fault or warning
0110	ALARM0	Undervoltage or overvoltage	Fault only
0111	ALARM0	Undervoltage or overvoltage	Fault or warning
1000	ALARM1	None	—
1001	ALARM1	Sequencing fault	Fault only
1010	ALARM1	Undervoltage only	Fault only
1011	ALARM1	Undervoltage only	Fault or warning
1100	ALARM1	Overvoltage only	Fault only
1101	ALARM1	Overvoltage only	Fault or warning
1110	ALARM1	Undervoltage or overvoltage	Fault only
1111	ALARM1	Undervoltage or overvoltage	Fault or warning

## PMBus 12-Channel Voltage Monitor and Sequencer

**Table 32. MFR\_FAULT\_RESPONSE Codes for GLOBAL Channels**

RESPONSE[1:0]	FAULT RESPONSE
11	<ul style="list-style-type: none"> <li>• Set the corresponding fault bit in the appropriate status register.</li> <li>• Log fault into MFR_NV_FAULT_LOG if NV_LOG = 1.</li> <li>• Continue operation.</li> </ul>
10 (retry)	<ul style="list-style-type: none"> <li>• Shut down the power supply by deasserting the PSEn output. All enabled GLOBAL power supplies are shut down in sequence as configured with TOFF_DELAY, or they are all shut DOWN immediately as configured by bit 0 in ON_OFF_CONFIG. Wait for the time configured in MFR_FAULT_RETRY and restart supplies in sequence as configured.</li> <li>• Assert the FAULT or FAULT2 output until faults on all GLOBAL supplies clear and MFR_FAULT_RETRY expires.</li> <li>• Set the corresponding fault bit in the appropriate status register.</li> <li>• Log fault into MFR_NV_FAULT_LOG if NV_LOG = 1.</li> </ul>
01 (latch off)	<ul style="list-style-type: none"> <li>• Latch off the power supply by deasserting the PSEn output. All enabled GLOBAL power supplies are either shut down in sequence as configured with TOFF_DELAY, or they are shut down immediately as configured by bit 0 in ON_OFF_CONFIG.</li> <li>• Assert the FAULT or FAULT2 outputs.</li> <li>• Set the corresponding fault bit in the appropriate status register.</li> <li>• Log fault into MFR_NV_FAULT_LOG if NV_LOG = 1.</li> </ul>
00	<ul style="list-style-type: none"> <li>• Set the corresponding fault bit in the appropriate status register.</li> <li>• Continue operation without any action.</li> </ul>

**Note:**  $\overline{ALERT}$  is asserted, if enabled, when a new status bit is set. A status bit is latched when a particular fault occurs that causes a fault response.

**Table 33. MFR\_FAULT\_RESPONSE Codes for LOCAL Channels**

RESPONSE [1:0]	FAULT RESPONSE
11	<ul style="list-style-type: none"> <li>• Set the corresponding fault bit in the appropriate status register.</li> <li>• Log fault into MFR_NV_FAULT_LOG if NV_LOG = 1.</li> <li>• Continue operation.</li> </ul>
10 (retry)	<ul style="list-style-type: none"> <li>• Shut down the power supply by deasserting the PSEn output. All power supplies are shut down in sequence as configured with TOFF_DELAY or they are all shut down immediately as configured by bit 0 in ON_OFF_CONFIG. Wait for the time configured in MFR_FAULT_RETRY and restart the supply.</li> <li>• Set the corresponding fault bit in the appropriate status register.</li> <li>• Log fault into MFR_NV_FAULT_LOG if NV_LOG = 1.</li> </ul>
01 (latchoff)	<ul style="list-style-type: none"> <li>• Latch off the power supply by deasserting the PSEn output. All power supplies are shut down in sequence as configured with TOFF_DELAY or they are all shut down immediately as configured by bit 0 in ON_OFF_CONFIG.</li> <li>• Set the corresponding fault bit in the appropriate status register.</li> <li>• Log fault into MFR_NV_FAULT_LOG if NV_LOG = 1.</li> </ul>
00	<ul style="list-style-type: none"> <li>• Set the corresponding fault bit in the appropriate status register.</li> <li>• Continue operation without any action.</li> </ul>

**Note:**  $\overline{ALERT}$  is asserted, if enabled, when a new status bit is set. A status bit is latched when a particular fault occurs that causes a fault response.

## PMBus 12-Channel Voltage Monitor and Sequencer

### Power-Supply Retry with Undervoltage Faults

If the power supply is configured to retry when an undervoltage fault occurs, the power supply is turned off for the fault retry time and then the power supply is turned back on by asserting the PSEn output. If the undervoltage fault still exists, the TON\_MAX\_FAULT\_LIMIT is exceeded and the device takes fault action as configured.

### MFR\_FAULT\_RETRY (DAh)

The MFR\_FAULT\_RETRY command sets the delay time between a power supply being shut down by a fault response and the power supply restarting. This command value is used for all fault responses that require delay retry. If global supplies are being sequenced off, the retry delay time does not begin until the last global channel is turned off. The 2 data bytes are in DIRECT format. When MFR\_FAULT\_RETRY = 0000h, the device restarts the power supply at the next available time period.

### MFR\_PG\_DELAY (DBh)

The MFR\_PG\_DELAY command sets the delay time between when a power good is determined and the PG output is asserted. The 2 data bytes are in DIRECT format. When MFR\_PG\_DELAY = 0000h, the delay is disabled and the PG output is asserted immediately after power good is declared.

When the device is configured to operate in dual-sequencing mode (the DUAL\_SEQ bit in MFR\_MODE is

set), the MFR\_PG\_DELAY command applies to both the primary and secondary sequences.

MFR\_PG\_DELAY is also used to set the external signal watchdog  $\overline{WDO}$  active-low time. For the watchdog function, when MFR\_PG\_DELAY = 0000h, the  $\overline{WDO}$  active-low time is set to 5ms.

### MFR\_NV\_FAULT\_LOG (DCh)

Each time the MFR\_NV\_FAULT\_LOG command is executed, the device returns a block of 255 bytes containing one of the 15 nonvolatile fault logs. The MFR\_NV\_FAULT\_LOG command must be executed 15 times to dump the complete nonvolatile fault log. If the returned fault log is all FFs (except bytes 0 and 1), this indicates that this fault log has not been written by the device. As the device is operating, it is reading the latest operating conditions for voltage and temperature and is updating the status registers. All this information is stored in on-board RAM. When a fault is detected (if so enabled in MFR\_FAULT\_RESPONSE), the device automatically logs this information to one of the 15 nonvolatile fault logs (Figure 8). After 15 faults have been written, bit 0 of STATUS\_CML is set and the device can be configured (with the NV\_LOG\_OVERWRITE bit in MFR\_NV\_LOG\_CONFIG) to either stop writing additional fault logs or to write over the oldest data. The host can clear the fault log by setting the CLEAR\_NV\_FAULT\_LOG bit in MFR\_NV\_LOG\_CONFIG. If a temperature sensor is disabled, the associated fault-log position returns 0000h.

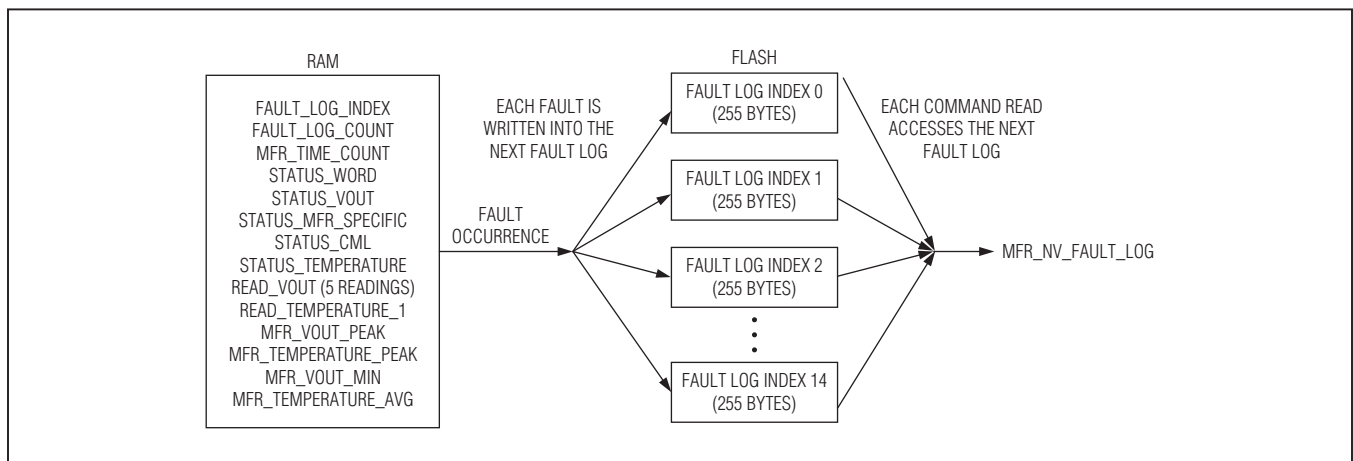


Figure 8. MFR\_NV\_FAULT\_LOG

## PMBus 12-Channel Voltage Monitor and Sequencer

There is a FAULT\_LOG\_COUNT (16-bit counter) at the beginning of each fault log that indicates which fault log is the latest. This counter rolls over should more than 65,535 faults be logged. This counter is not cleared when the CLEAR\_NV\_FAULT\_LOG bit in MFR\_NV\_LOG\_CONFIG is toggled. The 255 bytes returned by the MFR\_NV\_FAULT\_LOG command are described in [Table 34](#).

If an error occurs while the device is attempting to write or clear the MFR\_NV\_FAULT\_LOG, the device sets the CML bit in STATUS\_WORD; no bits are set in STATUS\_CML. ALERT is asserted (if enabled in MFR\_MODE).

**USER NOTE:** V<sub>DD</sub> must be above 2.9V for the device to clear or log data into MFR\_NV\_FAULT\_LOG.

**Table 34. MFR\_NV\_FAULT\_LOG**

BYTE	PARAMETER	BYTE	PARAMETER
0	00h/FAULT_LOG_INDEX	128	READ_VOUT T4 PAGE 7
2	FAULT_LOG_COUNT	130	READ_VOUT T0 PAGE 8
4	MFR_TIME_COUNT (LSW)	132	READ_VOUT T1 PAGE 8
6	MFR_TIME_COUNT (MSW)	134	READ_VOUT T2 PAGE 8
8	0000h	136	READ_VOUT T3 PAGE 8
10	STATUS_CML/00h	138	READ_VOUT T4 PAGE 8
12	STATUS_WORD	140	READ_VOUT T0 PAGE 9
14	STATUS_VOUT PAGEs 0/1	142	READ_VOUT T1 PAGE 9
16	STATUS_VOUT PAGEs 2/3	144	READ_VOUT T2 PAGE 9
18	STATUS_VOUT PAGEs 4/5	146	READ_VOUT T3 PAGE 9
20	STATUS_VOUT PAGEs 6/7	148	READ_VOUT T4 PAGE 9
22	STATUS_VOUT PAGEs 8/9	150	READ_VOUT T0 PAGE 10
24	STATUS_VOUT PAGEs 10/11	152	READ_VOUT T1 PAGE 10
26	STATUS_MFR_SPECIFIC PAGEs 0/1	154	READ_VOUT T2 PAGE 10
28	STATUS_MFR_SPECIFIC PAGEs 2/3	156	READ_VOUT T3 PAGE 10
30	STATUS_MFR_SPECIFIC PAGEs 4/5	158	READ_VOUT T4 PAGE 10
32	STATUS_MFR_SPECIFIC PAGEs 6/7	160	READ_VOUT T0 PAGE 11
34	STATUS_MFR_SPECIFIC PAGEs 8/9	162	READ_VOUT T1 PAGE 11
36	STATUS_MFR_SPECIFIC PAGEs 10/11	164	READ_VOUT T2 PAGE 11
38	STATUS_MFR_SPECIFIC PAGEs 255/00h	166	READ_VOUT T3 PAGE 11
40	STATUS_TEMPERATURE PAGEs 13/14	168	READ_VOUT T4 PAGE 11
42	STATUS_TEMPERATURE PAGEs 15/16	170	0000h
44	STATUS_TEMPERATURE PAGEs 17/00h	172	MFR_VOUT_PEAK PAGE 0
46	0000h	174	MFR_VOUT_PEAK PAGE 1
48	0000h	176	MFR_VOUT_PEAK PAGE 2
50	READ_VOUT T0 PAGE 0	178	MFR_VOUT_PEAK PAGE 3
52	READ_VOUT T1 PAGE 0	180	MFR_VOUT_PEAK PAGE 4
54	READ_VOUT T2 PAGE 0	182	MFR_VOUT_PEAK PAGE 5
56	READ_VOUT T3 PAGE 0	184	MFR_VOUT_PEAK PAGE 6
58	READ_VOUT T4 PAGE 0	186	MFR_VOUT_PEAK PAGE 7
60	READ_VOUT T0 PAGE 1	188	MFR_VOUT_PEAK PAGE 8
62	READ_VOUT T1 PAGE 1	190	MFR_VOUT_PEAK PAGE 9
64	READ_VOUT T2 PAGE 1	192	MFR_VOUT_PEAK PAGE 10
66	READ_VOUT T3 PAGE 1	194	MFR_VOUT_PEAK PAGE 11



## PMBus 12-Channel Voltage Monitor and Sequencer

**Table 34. MFR\_NV\_FAULT\_LOG (continued)**

BYTE	PARAMETER	BYTE	PARAMETER
68	READ_VOUT T4 PAGE 1	196	MFR_VOUT_MIN PAGE 0
70	READ_VOUT T0 PAGE 2	198	MFR_VOUT_MIN PAGE 1
72	READ_VOUT T1 PAGE 2	200	MFR_VOUT_MIN PAGE 2
74	READ_VOUT T2 PAGE 2	202	MFR_VOUT_MIN PAGE 3
76	READ_VOUT T3 PAGE 2	204	MFR_VOUT_MIN PAGE 4
78	READ_VOUT T4 PAGE 2	206	MFR_VOUT_MIN PAGE 5
80	READ_VOUT T0 PAGE 3	208	MFR_VOUT_MIN PAGE 6
82	READ_VOUT T1 PAGE 3	210	MFR_VOUT_MIN PAGE 7
84	READ_VOUT T2 PAGE 3	212	MFR_VOUT_MIN PAGE 8
86	READ_VOUT T3 PAGE 3	214	MFR_VOUT_MIN PAGE 9
88	READ_VOUT T4 PAGE 3	216	MFR_VOUT_MIN PAGE 10
90	READ_VOUT T0 PAGE 4	218	MFR_VOUT_MIN PAGE 11
92	READ_VOUT T1 PAGE 4	220	0000h
94	READ_VOUT T2 PAGE 4	222	READ_TEMPERATURE_1 PAGE 13
96	READ_VOUT T3 PAGE 4	224	READ_TEMPERATURE_1 PAGE 14
98	READ_VOUT T4 PAGE 4	226	READ_TEMPERATURE_1 PAGE 15
100	READ_VOUT T0 PAGE 5	228	READ_TEMPERATURE_1 PAGE 16
102	READ_VOUT T1 PAGE 5	230	READ_TEMPERATURE_1 PAGE 17
104	READ_VOUT T2 PAGE 5	232	MFR_TEMPERATURE_PEAK PAGE 13
106	READ_VOUT T3 PAGE 5	234	MFR_TEMPERATURE_PEAK PAGE 14
108	READ_VOUT T4 PAGE 5	236	MFR_TEMPERATURE_PEAK PAGE 15
110	READ_VOUT T0 PAGE 6	238	MFR_TEMPERATURE_PEAK PAGE 16
112	READ_VOUT T1 PAGE 6	240	MFR_TEMPERATURE_PEAK PAGE 17
114	READ_VOUT T2 PAGE 6	242	MFR_TEMPERATURE_AVG PAGE 13
116	READ_VOUT T3 PAGE 6	244	MFR_TEMPERATURE_AVG PAGE 14
118	READ_VOUT T4 PAGE 6	246	MFR_TEMPERATURE_AVG PAGE 15
120	READ_VOUT T0 PAGE 7	248	MFR_TEMPERATURE_AVG PAGE 16
122	READ_VOUT T1 PAGE 7	250	MFR_TEMPERATURE_AVG PAGE 17
124	READ_VOUT T2 PAGE 7	252	0000h
126	READ_VOUT T3 PAGE 7	254	LOG_VALID

**Note:** LOG\_VALID is set to DDh if the fault log contains valid data. For READ\_VOUT, T4 is the oldest reading and T0 is the newest reading.

### **MFR\_TIME\_COUNT (DDh)**

The MFR\_TIME\_COUNT command returns the current value of a real-time counter that increments every 5ms, 20ms, 80ms, or 160ms depending on the configuration of the NV\_LOG\_DEPTH bits in MFR\_NV\_LOG\_CONFIG. This counter is useful in determining the time between

multiple faults. The counter is a 32-bit value that rolls over. The count is reset to zero upon device power cycle or RST action, or a soft-reset. This count can also be reset to zero by writing a sequence of all zeros (00000000h), followed by all ones (FFFFFFFFh), followed by all zeros (00000000h) within 8ms.

## PMBus 12-Channel Voltage Monitor and Sequencer

### **MFR\_MARGIN\_CONFIG (DFh)**

The MFR\_MARGIN\_CONFIG command configures the external DS4424 current DAC (if present) to margin the associated power supplies. The MFR\_MARGIN\_CONFIG command is described in [Table 35](#).

For the power supplies connected to PSEN<sub>n</sub> (PAGES 0–11), power-supply margining is implemented using the external DS4424 DAC outputs, according to [Table 36](#). The device's closed loop controls the DAC output current setting to margin the power supply.

The device margins the power supplies when OPERATION is set to one of the margin states. Margining

of the supplies does not begin until **ALL** power supplies have exceeded their programmed POWER\_GOOD\_ON levels. When this happens, the DAC output is enabled and margining is initiated. The device then averages four samples of V<sub>OUT</sub> for a total time of 20ms. If the measured V<sub>OUT</sub> and the target (set by either VOUT\_MARGIN\_HIGH or VOUT\_MARGIN\_LOW) differ by more than 1%, the DAC setting is adjusted by one step that is 1/64 of full scale. The direction of the duty-cycle adjustment is determined by the SLOPE bit in MFR\_MARGIN\_CONFIG. All changes to the DAC setting are made after averaging four samples of V<sub>OUT</sub> over a 20ms period.

**Table 35. MFR\_MARGIN\_CONFIG**

BIT	NAME	MEANING
15	SLOPE	DAC setting to resulting voltage relationship. 0 = Negative slope (DAC source current results in a lower voltage). 1 = Positive slope (DAC source current results in a higher voltage).
14	OPEN_LOOP	0 = Normal closed-loop margining. 1 = DAC setting constantly to the DAC_VALUE when margining invoked.
13:7	0	These bits always return a 0.
6:0	DAC_VALUE	When bit 14 is set, this 7-bit value is written to the external current DAC.

**Table 36. Power-Supply Margining with DS4424 DAC outputs**

PAGE	POWER SUPPLY	DS4424 DEVICE	DS4424 OUTPUT
0	PSEN0	Unit 0 I <sup>2</sup> C address 20h	OUT0
1	PSEN1		OUT1
2	PSEN2		OUT2
3	PSEN3		OUT3
4	PSEN4	Unit 1 I <sup>2</sup> C address 60h	OUT0
5	PSEN5		OUT1
6	PSEN6		OUT2
7	PSEN7		OUT3
8	PSEN8	Unit 2 I <sup>2</sup> C address A0h	OUT0
9	PSEN9		OUT1
10	PSEN10		OUT2
11	PSEN11		OUT3

## PMBus 12-Channel Voltage Monitor and Sequencer

### Margining Faults

The device detects two possible margining faults. First, if the initial DAC step causes  $V_{OUT}$  to exceed the target value (either high or low depending on whether the device has been instructed to margin high or low, respectively), this creates a fault. Second, if the target value cannot be reached when the DAC reaches full scale, this also creates a fault. If either margining fault occurs, the device continues attempting to margin the power supply and does the following:

- 1) Sets the MARGIN bit in STATUS\_WORD.
- 2) Sets the MARGIN\_FAULT bit in STATUS\_MFR\_SPECIFIC (PAGES 0–11).
- 3) Notifies the host through  $\overline{ALERT}$  assertion (if enabled in MFR\_MODE).

If a communication error occurs between the device and the external DS4424, a fault occurs when the device attempts to set the DAC to full scale and the target margin value is not reached.

### DAC Margining Component Selection

The external components needed to realize the margining circuitry for the current DAC outputs are shown in [Figure 9](#) and described in the formulas below:

$$\text{DAC "RFS"} = (7.75) / (\text{IFB} \times \text{Margining Range})$$

where IFB is the feedback node current.

Example:

$$\text{IFB} = 500\mu\text{A}, \text{margining range} = \pm 15\%$$

$$\text{DAC "RFS"} \text{ value} = (7.75) / (500\mu\text{A} \times 15\%) = 103\text{k}\Omega$$

**Note:**  $40\text{k}\Omega < \text{RFS} < 160\text{k}\Omega$

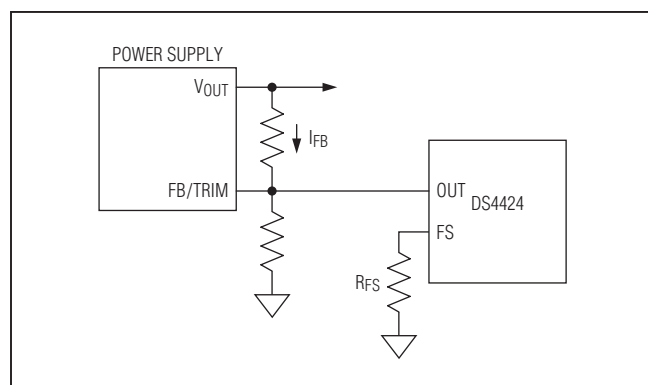


Figure 9. DAC Margining Circuit

### Temperature-Sensor Operation

The device can monitor up to five different temperature sensors, four external sensors, plus its own internal temperature sensor. The external temperature sensors are all connected in parallel to the master I<sup>2</sup>C port (MSDA and MSCL pins). The device can support up to four DS75LV devices.

Each of the enabled temperature sensors are measured once per second. The internal temperature sensor is averaged four times to reduce the effect of noise. Each time the device attempts to read a temperature sensor, it checks for faults. For the internal temperature sensor, a fault is defined as reading greater than +130°C or less than -60°C. For the I<sup>2</sup>C temperature sensors, a fault is defined as a communication access failure. Temperature-sensor faults are reported by setting the temperature reading to 7FFFh. A temperature-sensor fault results in the setting of the TEMPERATURE bit in STATUS\_WORD and  $\overline{ALERT}$  is asserted (if enabled in MFR\_MODE). No bits are set in STATUS\_TEMPERATURE. On reset of the device, if it cannot initialize the external DS75LV device, the TEMPERATURE bit in STATUS\_WORD is set and  $\overline{ALERT}$  is asserted (if enabled in MFR\_MODE), but the device does not attempt to reinitialize the DS75LV until 8000h is written to MFR\_TEMP\_SENSOR\_CONFIG. Reading disabled temperature sensors returns a fixed value of 0000h.

Up to four DS75LV digital temperature sensors can be controlled by the device. The A0–A2 pins on the DS75LV should be configured as shown in [Table 37](#). The thermostat function on the DS75LV is not used and hence the O.S. output should be left open circuit.

Table 37. DS75LV Address Pin Configuration

PAGE	MAX34460 TEMP SENSOR	DS75LV ADDRESS PIN CONFIGURATION		
		A2	A1	A0
13	MAX34460 internal	—	—	—
14	DS75LV (address 90h)	0	0	0
15	DS75LV (address 92h)	0	0	1
16	DS75LV (address 94h)	0	1	0
17	DS75LV (address 96h)	0	1	1

## PMBus 12-Channel Voltage Monitor and Sequencer

**Table 38. MFR\_TEMP\_SENSOR\_CONFIG**

BIT	NAME	MEANING
15	ENABLE	0 = Temperature sensor disabled. 1 = Temperature sensor enabled.
14:0	0	These bits always return a 0.

### **MFR\_TEMP\_SENSOR\_CONFIG (F0h)**

The MFR\_TEMP\_SENSOR\_CONFIG command is used to configure the temperature sensors. The MFR\_TEMP\_SENSOR\_CONFIG command is described in [Table 38](#).

### **MFR\_GPO\_CONFIG (FBh)**

The MFR\_GPO\_CONFIG command is used to configure the individual GPO outputs. The MFR\_GPO\_CONFIG command is described in [Table 39](#). The GPO pins can be found in [Table 7](#).

**Table 39. MFR\_GPO\_CONFIG**

BIT	NAME	MEANING
15	GPO7_OVERRIDE	0 = Pin 41 acts as WDI. 1 = Force GPO7/pin 41 to an open-drain output.
14	GPO6_OVERRIDE	0 = Pin 40 acts as $\overline{WDO}$ . 1 = Force GPO6/pin 40 to an open-drain output.
13	GPO5_OVERRIDE	0 = Pin 28 acts as PG2. 1 = Force GPO5/pin 28 to an open-drain output.*
12	GPO4_OVERRIDE	0 = Pin 29 acts as CONTROL2. 1 = Force GPO4/pin 29 to an open-drain output.*
11	GPO3_OVERRIDE	0 = Pin 17 acts as $\overline{FAULT2}$ . 1 = Force GPO3/pin 17 to an open-drain output.*
10	GPO2_OVERRIDE	0 = Pin 12 acts as $\overline{ALARMCLR}$ . 1 = Force GPO2/pin 12 to an open-drain output.
9	GPO1_OVERRIDE	0 = Pin 25 acts as $\overline{ALARM1}$ . 1 = Force GPO1/pin 25 to an open-drain output.
8	GPO0_OVERRIDE	0 = Pin 24 acts as $\overline{ALARM0}$ . 1 = Force GPO0/pin 24 to an open-drain output.
7	GPO7_HI_LO	0 = Force GPO7/pin 41 low if bit 15 is set. 1 = Force GPO7/pin 41 high impedance if bit 15 is set.
6	GPO6_HI_LO	0 = Force GPO6/pin 40 low if bit 14 is set. 1 = Force GPO6/pin 40 high impedance if bit 14 is set.
5	GPO5_HI_LO	0 = Force GPO5/pin 28 low if bit 13 is set. 1 = Force GPO5/pin 28 high impedance if bit 13 is set.
4	GPO4_HI_LO	0 = Force GPO4/pin 29 low if bit 12 is set. 1 = Force GPO4/pin 29 high impedance if bit 12 is set.
3	GPO3_HI_LO	0 = Force GPO3/pin 17 low if bit 11 is set. 1 = Force GPO3/pin 17 high impedance if bit 11 is set.
2	GPO2_HI_LO	0 = Force GPO2/pin 12 low if bit 10 is set. 1 = Force GPO2/pin 12 high impedance if bit 10 is set.
1	GPO1_HI_LO	0 = Force GPO1/pin 25 low if bit 9 is set. 1 = Force GPO1/pin 25 high impedance if bit 9 is set.
0	GPO0_HI_LO	0 = Force GPO0/pin 24 low if bit 8 is set. 1 = Force GPO0/pin 24 high impedance if bit 8 is set.

\*In dual-sequencing mode, CONTROL2, PG2, and  $\overline{FAULT2}$  cannot be configured as GPOs.

## PMBus 12-Channel Voltage Monitor and Sequencer

### MFR\_WATCHDOG\_CONFIG (FDh)

The MFR\_WATCHDOG\_CONFIG command is used to configure the external watchdog function. The MFR\_WATCHDOG\_CONFIG command is described in [Table 40](#).

### Applications Information

#### V<sub>DD</sub>, V<sub>DDA</sub>, and REG18 Decoupling

To achieve the best results when using the device, decouple V<sub>DD</sub> and V<sub>DDA</sub> power inputs each with a 0.1µF capacitor. If possible, use a high-quality, ceramic, surface-mount capacitor. Surface-mount components minimize lead inductance, which improves performance; ceramic capacitors tend to have adequate high-frequency response for decoupling applications. Decouple the REG18 regulator output using 1µF and 10nF capacitors with a maximum ESR of 500mΩ.

### Open-Drain Pins

MSDA, MSCL, SCL, SDA, FAULT, and ALERT are open-drain pins and require external pullup resistors connected to V<sub>DD</sub> to realize high logic levels.

PSEN0–PSEN11 can be user-configured as either CMOS push-pull or open-drain outputs. When configured as open-drain (see MFR\_PSEN\_CONFIG), external pullup resistors connected to V<sub>DD</sub> are required to realize high logic levels.

### Keep-Alive Circuit

In systems where the power to the device may be not always be present, a keep-alive circuit consisting of a Schottky diode and a bulk capacitor can be added to allow the device time to orderly shut down the power supplies it is controlling before power is lost.

**Table 40. MFR\_WATCHDOG\_CONFIG**

BIT	NAME	MEANING
15:13	WD_STARTUP[2:0]	These bits define the watchdog startup time. 000      1s          100      16s 001      2s          101      32s 010      4s          110      64s 011      8s          111      128s
12	0	This bit always returns a 0.
11:8	WD_TIMEOUT[3:0]	These bits define the watchdog timeout time. 0000      5ms          1000      1s 0001      10ms          1001      2s 0010      20ms          1010      4s 0011      40ms          1011      8s 0100      80ms          1100      16s 0101      160ms          1101      32s 0110      320ms          1110      64s 0111      640ms          1111      128s
7:4	0	These bits always return a 0 when read.
3	WD_WDO_MR	0 = WDO pin is watchdog output only. 1 = WDO pin is watchdog output and manual-reset input.
2	WD_TOGGLE	When this bit is set to a 1, it resets the watchdog the same as a rising edge on WDI does. This bit always returns a 0 when read.
1	WD_MODE	0 = Independent mode. 1 = Dependent mode.*
0	WD_ENABLE	0 = Watchdog disabled (WDO is forced high impedance). 1 = Watchdog enabled.

\*If dual sequencing is enabled, only the primary group is used to time the start of the watchdog.

## PMBus 12-Channel Voltage Monitor and Sequencer

### Configuration Port

Some applications require the ability to configure the device when it has been mounted on a PCB. In such applications, a 3- or 4-wire header can be added to allow access to the slave I<sup>2</sup>C pins.

### Resistor-Dividers and Source Impedance for RSn Inputs

The maximum full-scale voltage on the ADC inputs is 2.048V (nominal). A resistor-divider must be used to measure voltages greater than 1.8V. The maximum source impedance to the RSn inputs is determined by the ADC\_TIME bits in MFR\_MODE. See the [Recommended Operating Conditions](#) table for more information. In applications where voltages up to 2V can be applied to the RSn inputs when V<sub>DD</sub> or V<sub>DDA</sub> is grounded, a series resistance of 100Ω is recommended to protect the device by limiting power dissipation.

### Current Measurement on RSn Inputs

The RSn inputs normally measure voltages, but with the addition of an external current-sense amplifier the device can also be configured to measure current. Any of the RSn inputs can be configured to measure current. On channels that measure current, the sequencing for that channel should be disabled by setting TON\_MAX\_FAULT\_LIMIT = 8000h to FFFFh. On these channels, the associated PSEn output is available to be configured as a GPO. Also, for these channels, POWER\_GOOD\_ON

should be set to 0000h to force power-good assertion since this channel is not measuring voltage ([Figure 10](#)).

The current-sense amplifier must have a source impedance of less than the value as constrained by the selection of the ADC\_TIME bits in MFR\_MODE and the output from the amplifier must not exceed the maximum input-voltage limits of the device. The 100Ω series resistor is required to protect the device if the current-sense amplifier can be active when the system manager is powered off.

The VOUT\_SCALE\_MONITOR command can be used to properly scale the external sense element and current-sense amplifier gain so that the READ\_VOUT command reports current instead of voltage. Normally VOUT\_SCALE\_MONITOR scales voltage from 0 to 32.767V in 1mV steps. For channels used to measure current instead of voltage, the VOUT\_SCALE\_MONITOR command can be configured to report current from 0A to 32.767A in 1mA steps by using the following formula. [Table 41](#) provides some examples. Note that VOUT\_SCALE\_MONITOR cannot exceed a ratio of 1. System designs should avoid RG combinations with a value greater than 1.

$$VOUT\_SCALE\_MONITOR = R \times G \times 32,767$$

### Exposed Pad Grounding

The device uses the exposed pad of the TQFN package as the common ground (V<sub>SS</sub>) for the entire device. The exposed pad must be connected to the local ground plane.

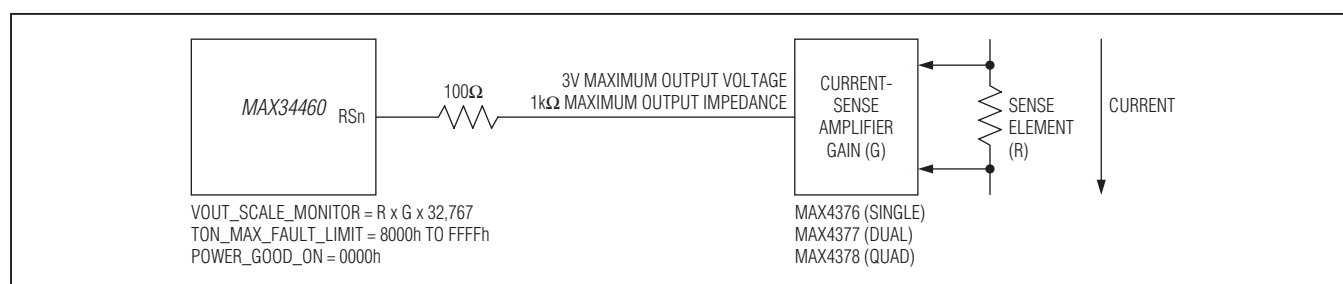


Figure 10. Current-Measuring Circuit

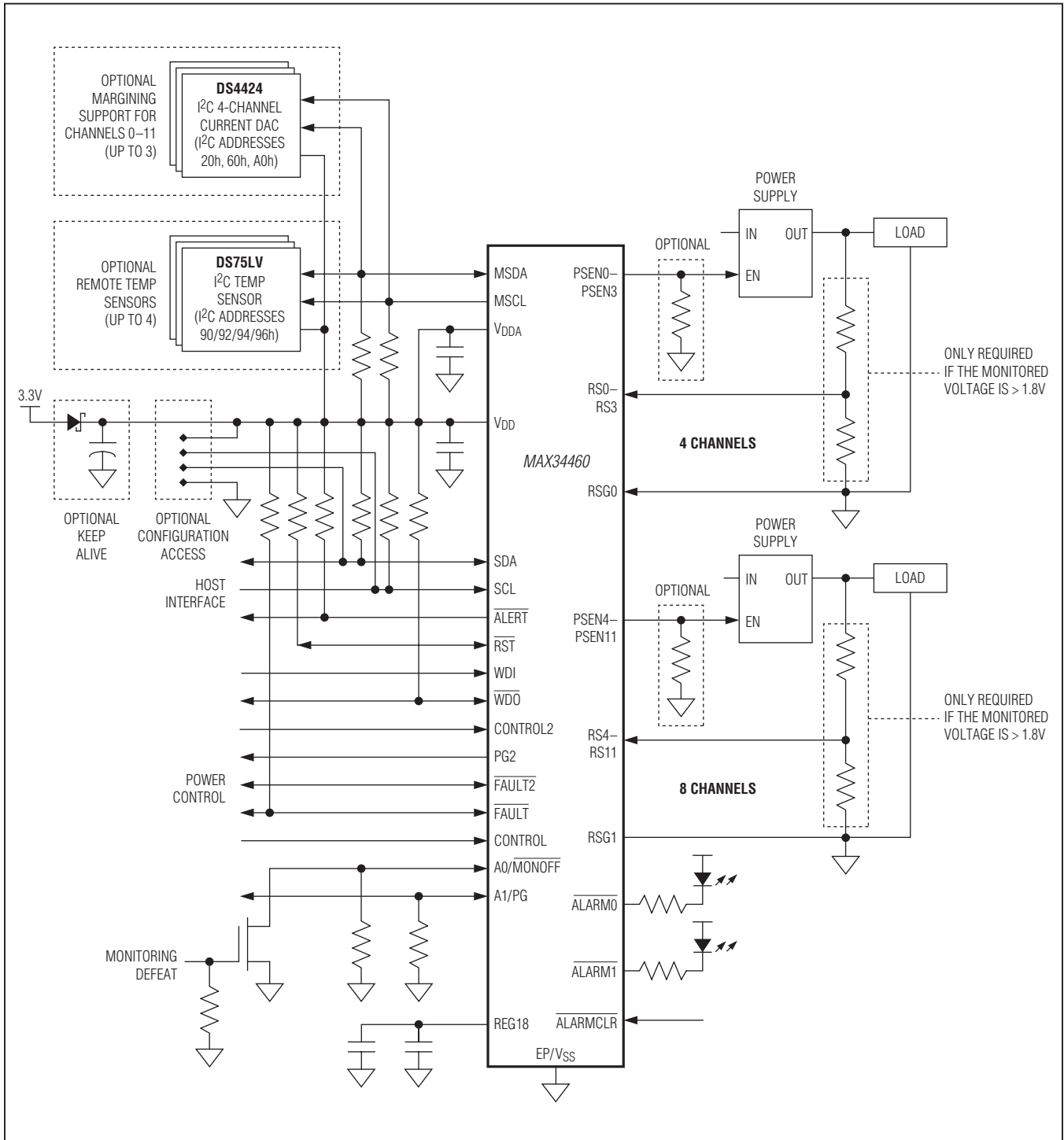
Table 41. Scale Current-Gain Example

R SENSE ELEMENT (mΩ)	G AMPLIFIER GAIN (V/V)	V/A RATIO R x G (Ω)	VOUT_SCALE_MONITOR VALUE	
			Dec	Hex
1	100	0.1	3276	0CCC
2	100	0.2	6553	1999
2	50	0.1	3276	0CCC
4	20	0.08	2621	0A3D
0.5	100	0.05	1638	0666

# MAX34460

## PMBus 12-Channel Voltage Monitor and Sequencer

### Typical Operating Circuit



# MAX34460

## PMBus 12-Channel Voltage Monitor and Sequencer

### Ordering Information

PART	TEMP RANGE	PIN-PACKAGE
MAX34460ETM+	-40°C to +85°C	48 TQFN-EP*
MAX34460ETM+T	-40°C to +85°C	48 TQFN-EP*

+ Denotes a lead(Pb)-free/RoHS-compliant package.

\*EP = Exposed pad.

T = Tape and reel.

### Package Information

For the latest package outline information and land patterns (footprints), go to [www.maximintegrated.com/packages](http://www.maximintegrated.com/packages). Note that a "+", "#", or "-" in the package code indicates RoHS status only. Package drawings may show a different suffix character, but the drawing pertains to the package regardless of RoHS status.

PACKAGE TYPE	PACKAGE CODE	OUTLINE NO.	LAND PATTERN NO.
48 TQFN-EP	T4866+2	<a href="#">21-0141</a>	<a href="#">90-0007</a>



# MAX34460

## PMBus 12-Channel Voltage Monitor and Sequencer

### Revision History

REVISION NUMBER	REVISION DATE	DESCRIPTION	PAGES CHANGED
0	9/12	Initial release	—



Maxim cannot assume responsibility for use of any circuitry other than circuitry entirely embodied in a Maxim product. No circuit patent licenses are implied. Maxim reserves the right to change the circuitry and specifications without notice at any time. The parametric values (min and max limits) shown in the Electrical Characteristics table are guaranteed. Other parametric values quoted in this data sheet are provided for guidance.

**Maxim Integrated 160 Rio Robles, San Jose, CA 95134 USA 1-408-601-1000**

**65**

© 2012 Maxim Integrated Products, Inc. The Maxim logo and Maxim Integrated are trademarks of Maxim Integrated Products, Inc.



Компания «ЭлектроПласт» предлагает заключение долгосрочных отношений при поставках импортных электронных компонентов на взаимовыгодных условиях!

Наши преимущества:

- Оперативные поставки широкого спектра электронных компонентов отечественного и импортного производства напрямую от производителей и с крупнейших мировых складов;
- Поставка более 17-ти миллионов наименований электронных компонентов;
- Поставка сложных, дефицитных, либо снятых с производства позиций;
- Оперативные сроки поставки под заказ (от 5 рабочих дней);
- Экспресс доставка в любую точку России;
- Техническая поддержка проекта, помощь в подборе аналогов, поставка прототипов;
- Система менеджмента качества сертифицирована по Международному стандарту ISO 9001;
- Лицензия ФСБ на осуществление работ с использованием сведений, составляющих государственную тайну;
- Поставка специализированных компонентов (Xilinx, Altera, Analog Devices, Intersil, Interpoint, Microsemi, Aeroflex, Peregrine, Syfer, Eurofarad, Texas Instrument, Miteq, Cobham, E2V, MA-COM, Hittite, Mini-Circuits, General Dynamics и др.);

Помимо этого, одним из направлений компании «ЭлектроПласт» является направление «Источники питания». Мы предлагаем Вам помощь Конструкторского отдела:

- Подбор оптимального решения, техническое обоснование при выборе компонента;
- Подбор аналогов;
- Консультации по применению компонента;
- Поставка образцов и прототипов;
- Техническая поддержка проекта;
- Защита от снятия компонента с производства.



#### Как с нами связаться

**Телефон:** 8 (812) 309 58 32 (многоканальный)

**Факс:** 8 (812) 320-02-42

**Электронная почта:** [org@eplast1.ru](mailto:org@eplast1.ru)

**Адрес:** 198099, г. Санкт-Петербург, ул. Калинина, дом 2, корпус 4, литера А.