

WHITE LED STEP-UP CONVERTER

AP3031

General Description

The AP3031 is an inductor-based DC/DC boost converter designed to drive LED arrays. 1.4A switching current allows AP3031 to be used in different 7' to 10' LCD panel backlights (3*13 LED arrays typically).

A constant frequency 1MHz PWM control scheme is employed in this IC, which means tiny external components can be used. Specifically, 1mm tall 4.7μH inductor and 0.47μF output capacitor for the typical application is sufficient.

The over output voltage protection is equipped in AP3031, which protects the IC under open load condition. The AP3031 includes UVLO, soft-start, current limit and OTSD to protect the circuit.

The AP3031 is available in standard SOT-23-6, TSOT-23-6 and SOIC-8 packages.

Features

- Up to 92% Efficiency ($V_{IN}=9V, I_{OUT}=260mA$)
- Up to 84% Efficiency ($V_{IN}=5V, I_{OUT}=260mA$)
- Fast 1MHz Switching Frequency
- Wide Input Voltage Range: 2.7V to 16V
- Low 200mV Feedback Voltage
- Output Over Voltage Protection
- Cycle by Cycle Current Limit: 1.4A
- Built-in Soft-start
- Built-in Standby Mode to Achieve High Frequency PWM Dimming
- Built-in Thermal Shutdown Function
- Under Voltage Lockout

Applications

- 7' to 10' LCD Panels
- Digital Photo Frame
- GPS Receiver
- EPC
- PDVD

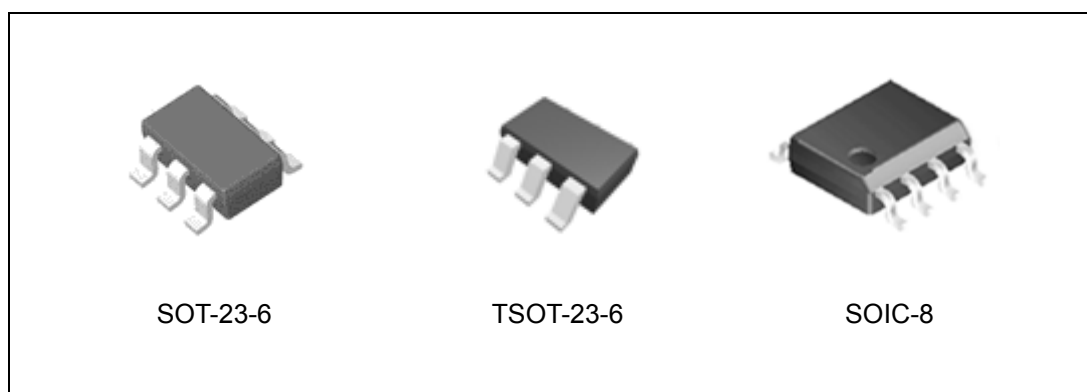


Figure 1. Package Types of AP3031

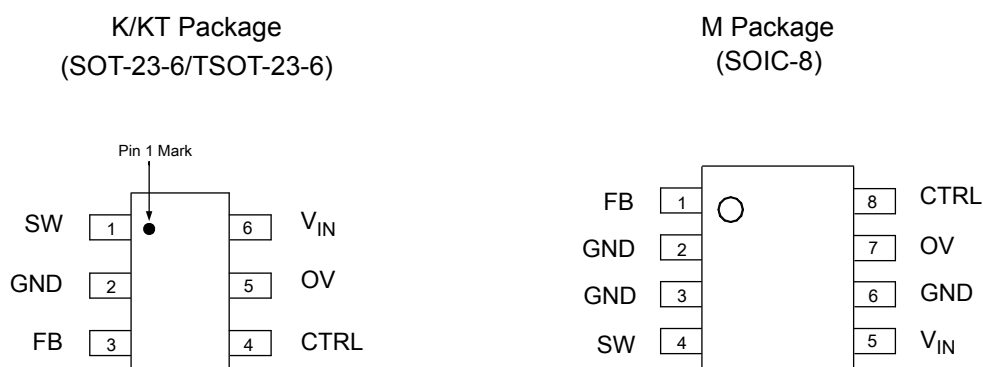
WHITE LED STEP-UP CONVERTER
AP3031
Pin Configuration


Figure 2. Pin Configuration of AP3031 (Top View)

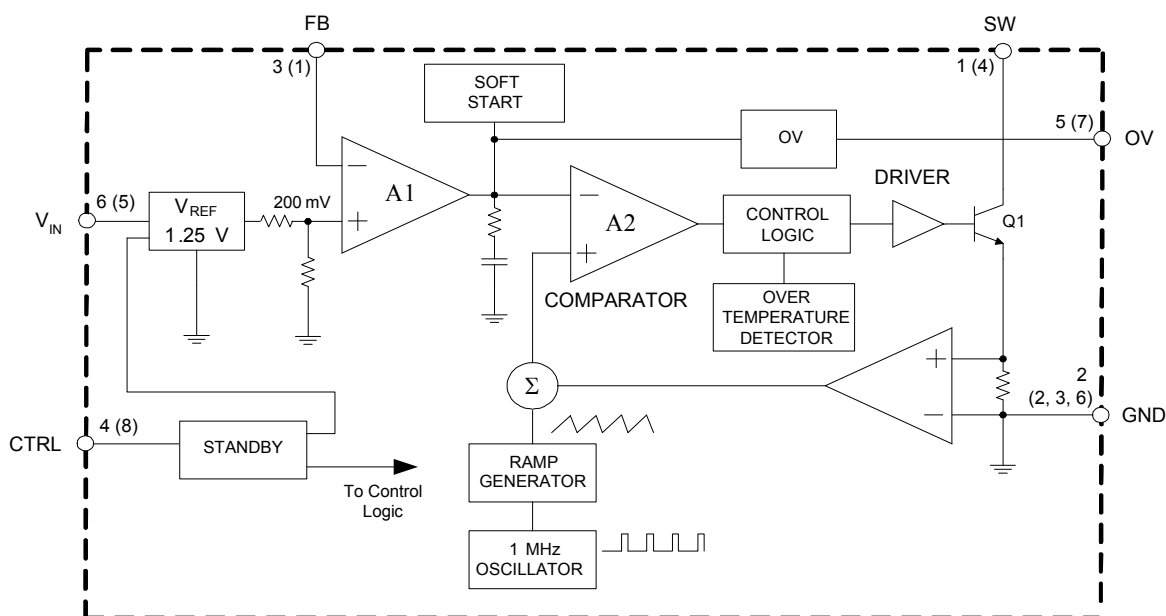
Pin Description

Pin Number		Pin Name	Function
6-Pin	8-Pin		
1	4	SW	Switch Pin. Connect external inductor and Schottky
2	2, 3, 6	GND	Ground Pin
3	1	FB	Voltage Feedback Pin. Reference voltage is 200mV
4	8	CTRL	Enable and Dimming Control Pin. Connect to a high input to enable the IC or a low input to disable the IC. If logic low time is more than about 0.7ms and then enable the IC, the AP3031 will soft start to protect system departments. If logic low time is less than about 0.7ms and then enable the IC, the AP3031 will hold on standby mode and start directly to achieve high frequency dimming
5	7	OV	Over-voltage Protection Input Pin. Connect to the output directly. On OVP condition, the output voltage will be clamped
6	5	V _{IN}	Input Supply Pin. Must be locally bypassed

WHITE LED STEP-UP CONVERTER

AP3031

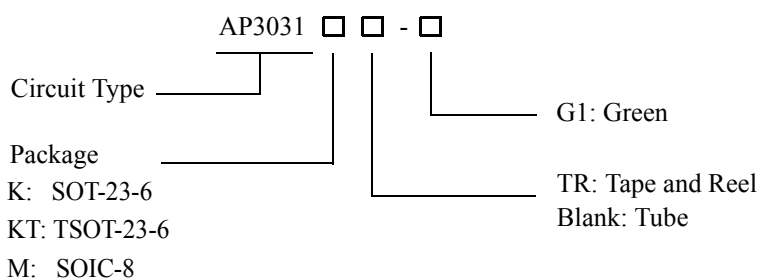
Functional Block Diagram



A (B)
A SOT-23-6/TSOT-23-6
B SOIC-8

Figure 3. Functional Block Diagram of AP3031

Ordering Information



Package	Temperature Range	Part Number	Marking ID	Packing Type
SOT-23-6	-40 to 85°C	AP3031KTR-G1	GEC	Tape & Reel
TSOT-23-6		AP3031KTTR-G1	L1E	Tape & Reel
SOIC-8		AP3031M-G1	3031M-G1	Tube
		AP3031MTR-G1	3031M-G1	Tape & Reel

BCD Semiconductor's Pb-free products, as designated with "G1" suffix in the part number, are RoHS compliant and green.

**WHITE LED STEP-UP CONVERTER****AP3031****Absolute Maximum Ratings (Note 1)**

Parameter	Symbol	Value		Unit
Input Voltage	V_{IN}	20		V
SW Voltage	V_{SW}	38		V
FB Voltage	V_{FB}	20		V
CTRL Voltage	V_{CTRL}	20		V
Thermal Resistance (Junction to Ambient, No Heat Sink)	θ_{JA}	SOT-23-6/TSOT-23-6	265	°C/W
		SOIC-8	120	
Operating Junction Temperature	T_J	150		°C
Storage Temperature Range	T_{STG}	-65 to 150		°C
Lead Temperature (Soldering, 10sec)	T_{LEAD}	260		°C
ESD (Machine Model)		600		V
ESD (Human Body Model)		4000		V

Note 1: Stresses greater than those listed under "Absolute Maximum Ratings" may cause permanent damage to the device. These are stress ratings only, and functional operation of the device at these or any other conditions beyond those indicated under "Recommended Operating Conditions" is not implied. Exposure to "Absolute Maximum Ratings" for extended periods may affect device reliability.

Recommended Operating Conditions

Parameter	Symbol	Min	Max	Unit
Operating Temperature Range	T_{OP}	-40	85	°C
Input Voltage	V_{IN}	2.7	16	V
CTRL Voltage	V_{CTRL}		16	V

**WHITE LED STEP-UP CONVERTER****AP3031****Electrical Characteristics** $(V_{IN}=5.0V, V_{CTRL}=5.0V, T_A=25^{\circ}C, \text{ unless otherwise specified.})$

Parameter	Symbol	Conditions	Min	Typ	Max	Unit
Operating Voltage	V_{IN}		2.7		16	V
Feedback Voltage (Note 2)	V_{FB}	$I_{OUT}=20mA, 3 \text{ LEDs},$ $T_A=-40^{\circ}C \text{ to } 85^{\circ}C$	188	200	212	mV
FB Pin Bias Current	I_{FB}			35	100	nA
Quiescent Current	I_Q	$V_{FB}=V_{IN}, \text{ no switching}$	3.0	4.0	5.0	mA
Shutdown Quiescent Current	I_{SHDN}	$V_{CTRL}=0V$	20	50	80	μA
Switching Frequency	f		0.75	1	1.3	MHz
Maximum Duty Cycle	D_{MAX}		90	93		%
Switch Current Limit (Note 3)	I_{LIMIT}	$D=60\%$	1.2	1.4		A
Switch V_{CE} Saturation Voltage	V_{CESAT}	$I_{SW}=0.6A$		300		mV
Switch Leakage Current		$V_{SW}=16V$		0.01	5	μA
CTRL Pin Voltage	V_{CTRL}	Active high	1.8			V
		Active low			0.5	
CTRL Pin Bias Current	I_{CTRL}		35	60	85	μA
OVP Voltage	V_{OVP}		15.5	17.5	19.5	V
Soft-start Time	t_{SS}			250		μs
Standby Time	t_{STB}			0.7		ms
Thermal Shutdown	T_{OTSD}			155		$^{\circ}C$
Thermal Resistance (Junction to Case)	θ_{JC}			60		$^{\circ}C/W$

Note 2: The bold type specifications of full temperature range are guaranteed by design (GBD).

Note 3: The switch current limit is related to duty cycle. Please refer to Figure 15 for detail.



WHITE LED STEP-UP CONVERTER

AP3031

Typical Performance Characteristics

(WLED forward voltage (V_F)=3.2V at I_F =20mA, unless otherwise noted.)

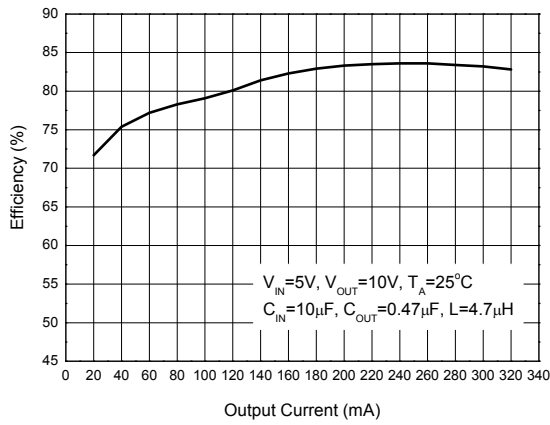


Figure 4. Efficiency vs. Output Current

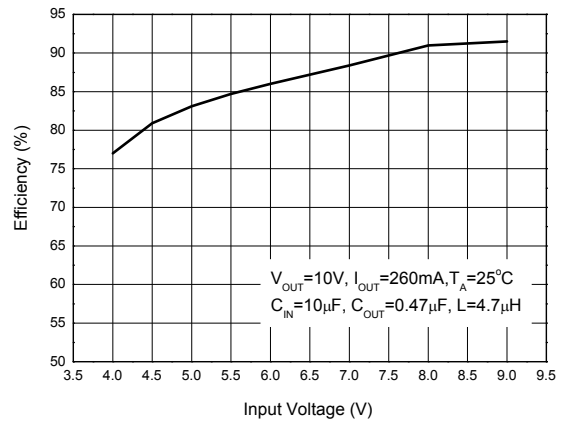


Figure 5. Efficiency vs. Input Voltage

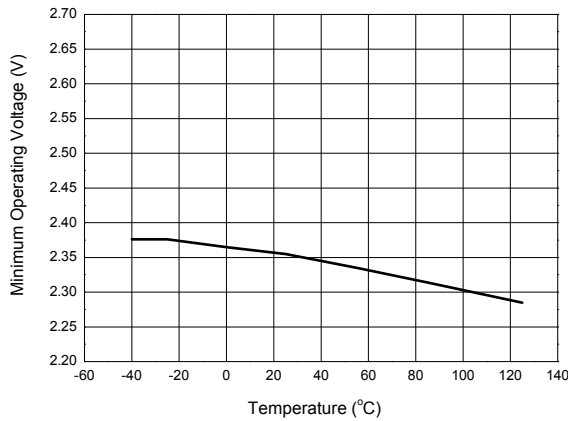


Figure 6. Minimum Operating Voltage vs. Temperature

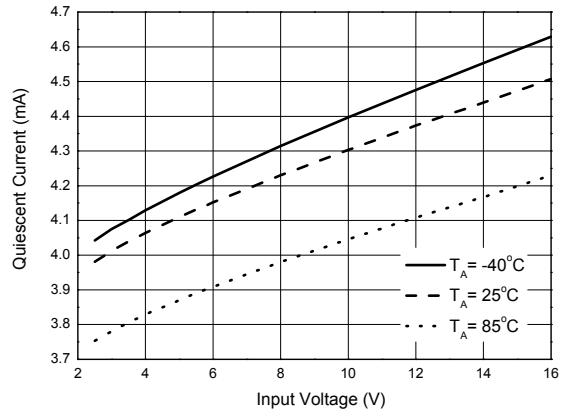


Figure 7. Quiescent Current vs. Input Voltage



WHITE LED STEP-UP CONVERTER

AP3031

Typical Performance Characteristics (Continued)

(WLED forward voltage (V_F)=3.2V at I_F =20mA, unless otherwise noted.)

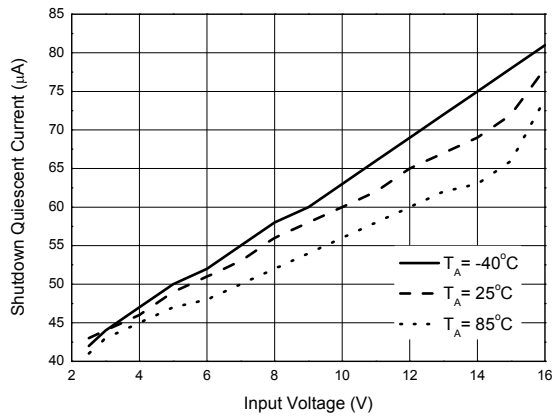


Figure 8. Shutdown Quiescent Current vs. Input Voltage

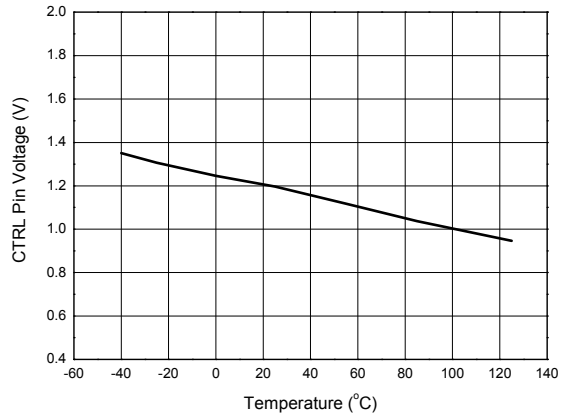


Figure 9. CTRL Pin Voltage vs. Temperature

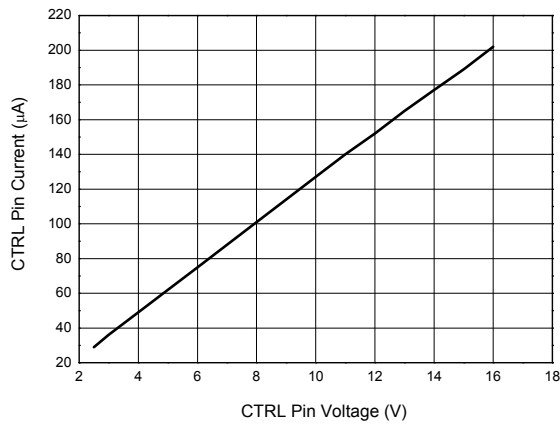


Figure 10. CTRL Pin Current vs. CTRL Pin Voltage

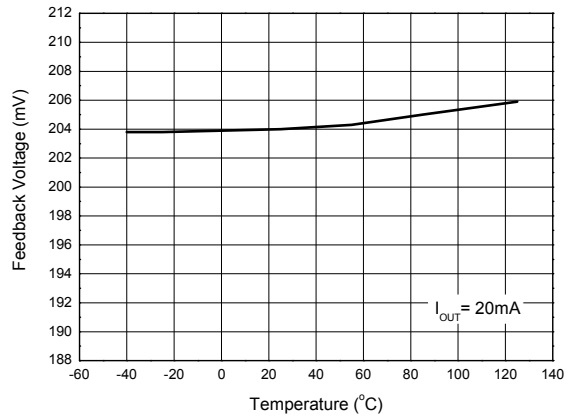


Figure 11. Feedback Voltage vs. Temperature



WHITE LED STEP-UP CONVERTER

AP3031

Typical Performance Characteristics (Continued)

(WLED forward voltage (V_F)=3.2V at I_F =20mA, unless otherwise noted.)

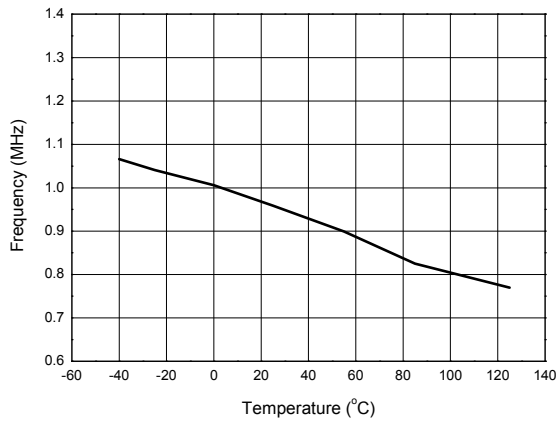


Figure 12. Frequency vs. Temperature

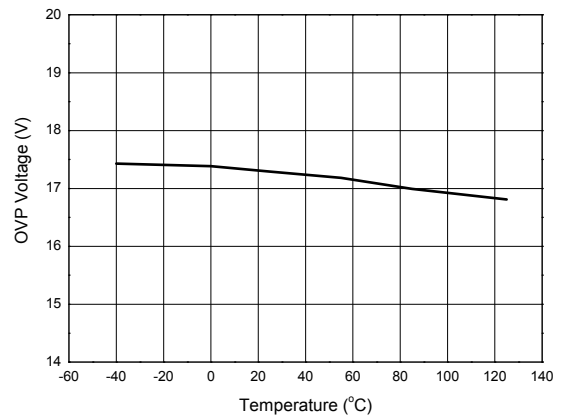


Figure 13. OVP Voltage vs. Temperature

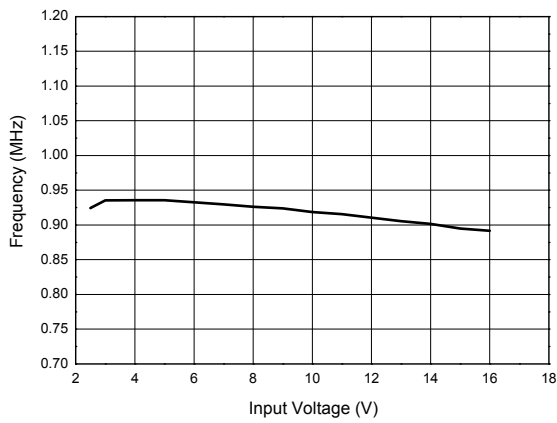


Figure 14. Frequency vs. Input Voltage

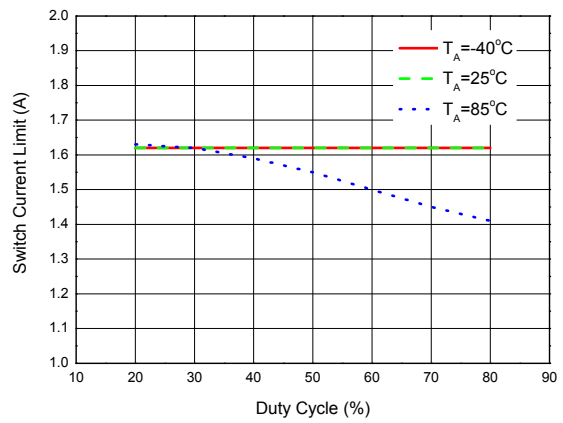


Figure 15. Switch Current Limit vs. Duty Cycle



WHITE LED STEP-UP CONVERTER

AP3031

Typical Performance Characteristics (Continued)

(WLED forward voltage (V_F)=3.2V at I_F =20mA, unless otherwise noted.)

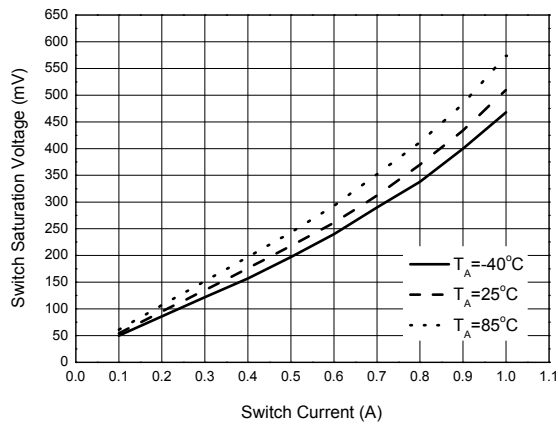


Figure 16. Switch Saturation Voltage vs. Switch Current

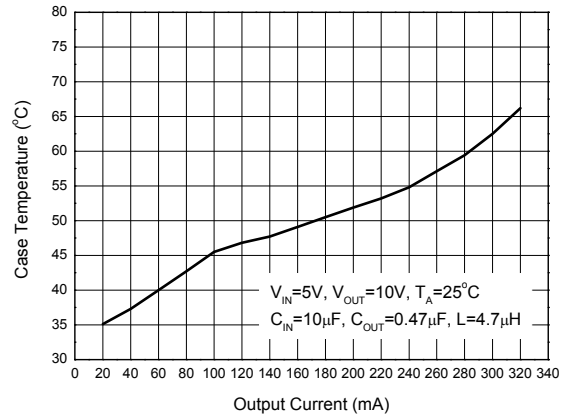


Figure 17. Case Temperature vs. Output Current

WHITE LED STEP-UP CONVERTER

AP3031

Application Information

Operation

The AP3031 is a boost DC-DC converter which uses a constant frequency, current mode control scheme to provide excellent line and load regulation. Operation can be best understood by referring to Figure 3 and Figure 24.

At the start of each oscillator cycle, switch Q1 turns on. The switch current will increase linearly. The voltage on sense resistor is proportional to the switch current. The output of the current sense amplifier is added to a stabilizing ramp and the result is fed into the non-inversion input of the PWM comparator A2. When this voltage exceeds the output voltage level of the error amplifier A1, the switch is turned off.

It is clear that the voltage level at inversion input of A2 sets the peak current level to keep the output in regulation. This voltage level is the output signal of error amplifier A1, and is the amplified signal of the voltage difference between feedback voltage and reference voltage of 200mV. So, a constant output current can be provided by this operation mode.

LED Current Control

Refer to Figure 24, the LED current is controlled by the feedback resistor R_{ISET} . LEDs' current accuracy is determined by the feedback voltage and resistor R_{ISET} , so the precise resistors are preferred. The resistance of R_{ISET} is in inverse proportion to the LED current since the feedback reference is fixed at 200mV. The relation for R_{ISET} and LED current (I_{LED}) can be expressed as below:

$$R_{ISET} = \frac{200mV}{I_{LED}}$$

Over Voltage Protection

The AP3031 has an internal open load protection circuit. When the LEDs are disconnected from circuit or fail open, the output voltage is clamped at about 17.5V. The AP3031 will switch at a low frequency, and minimize current to avoid input voltage drop.

Soft Start

The AP3031 has an internal soft start circuit to limit the inrush current during startup. If logic low time on CTRL pin is more than about 0.7ms and then enable the IC, the AP3031 will start smoothly to protect the supplier. The time of startup is controlled by internal soft-start capacitor. Details please refer to Figure 18.

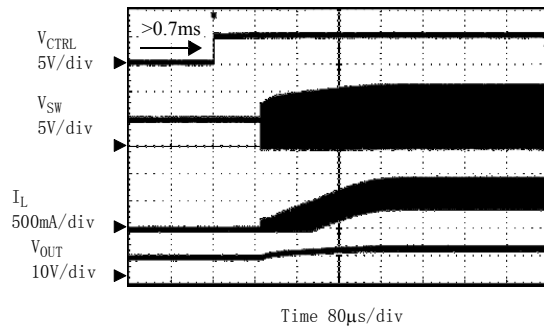


Figure 18. Soft-start Waveform
 $V_{IN}=5V$, 3×13 LEDs, $I_{LED}=260mA$

Standby and Dimming

To avoid audio noise and achieve high frequency dimming, AP3031 is equipped with standby function. If logic low time on CTRL pin is less than about 0.7ms and then enable the IC, the AP3031 will hold on standby mode and start directly to achieve high frequency dimming. Details please refer to Figure 19.

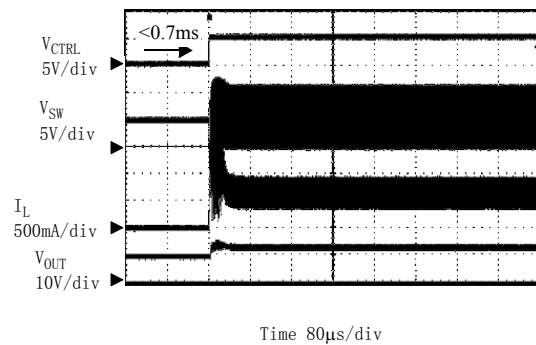


Figure 19. Standby Waveform

Two typical types of dimming control circuit are present as below. First, controlling CTRL Pin voltage to change operation state is a good choice. Second,

WHITE LED STEP-UP CONVERTER

AP3031

Application Information (Continued)

changing the feedback voltage to get appropriate duty and luminous intensity is also useful.

(1) Adding a Control Signal to CTRL Pin

Adding a PWM signal to CTRL pin directly, the AP3031 is turned on and off by this signal. When the PWM frequency is lower than 1kHz(Typ.), the IC works in the soft-start mode to dimming the light. On contrary, when the PWM frequency is higher than 1kHz(Typ.), the IC works in the standby mode: the converter ceaselessly switches off and directly starts to achieve light dimming. This standby function allows AP3031 to support high frequency dimming (up to 25kHz or higher) to avoid audio noise. More details please refer to Figure 20 and Figure 21.

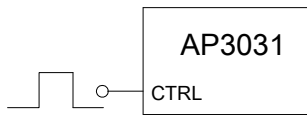
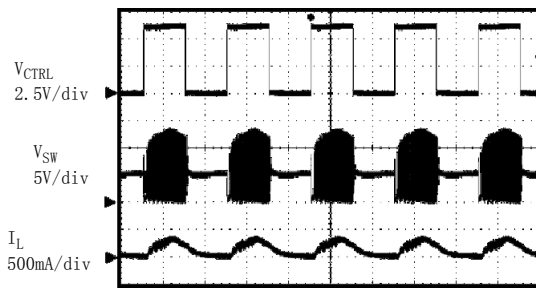


Figure 20. Dimming Control Using a PWM Signal in CTRL Pin



Time 20μs/div

Figure 21. High Frequency (25kHz) Dimming Waveform

(2) Changing the Effective Feedback Voltage

There are two popular methods to change the effective feedback voltage.

First, adding a constant DC voltage through a resistor divider to FB pin can control the dimming. Changing the DC voltage or resistor between the FB Pin and the DC voltage can get appropriate luminous intensity.

Comparing with all kinds of PWM signal control, this method features a stable output voltage and LEDs current. Please refer to Figure 22.

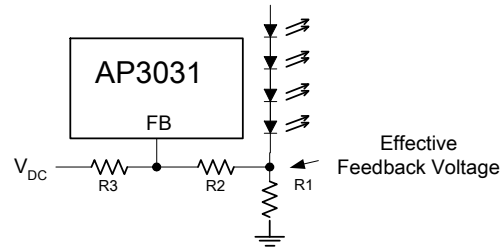


Figure 22. Dimming Control Using DC Voltage

Second, using a filtered PWM signal can do it. The filtered PWM signal can be considered as a varying and adjustable DC voltage, please refer to Figure 23.

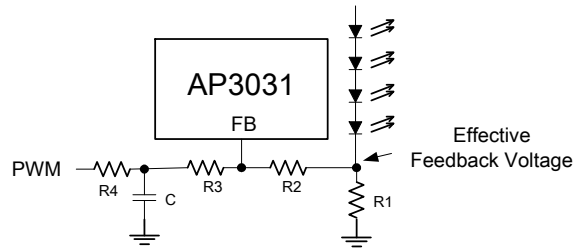
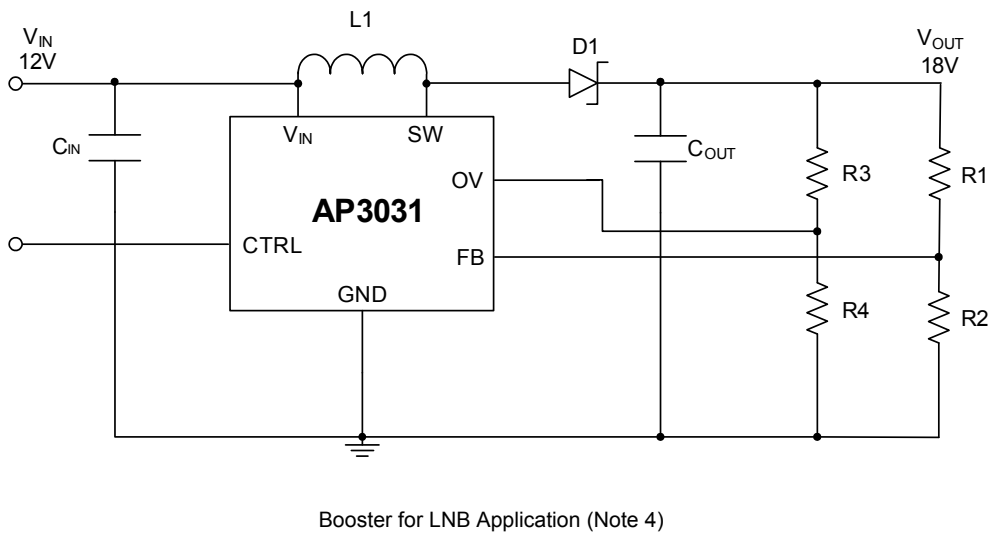
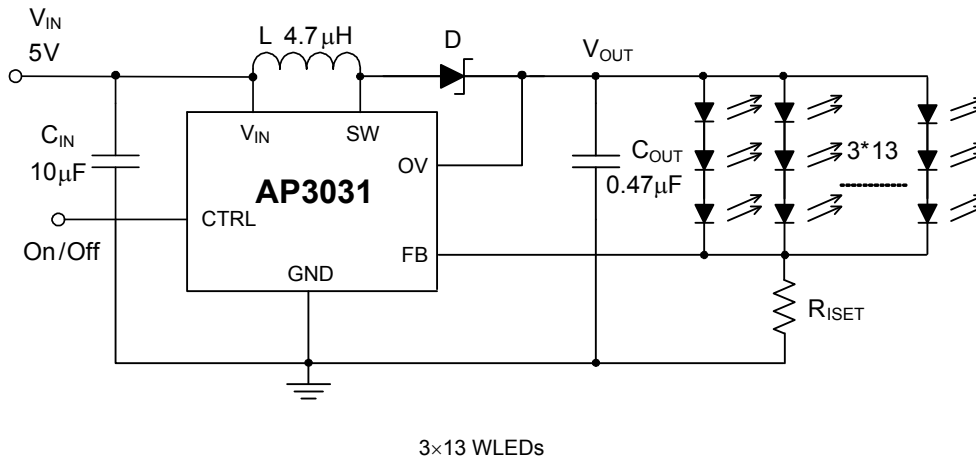


Figure 23. Dimming Control Using Filtered PWM Voltage

WHITE LED STEP-UP CONVERTER

AP3031

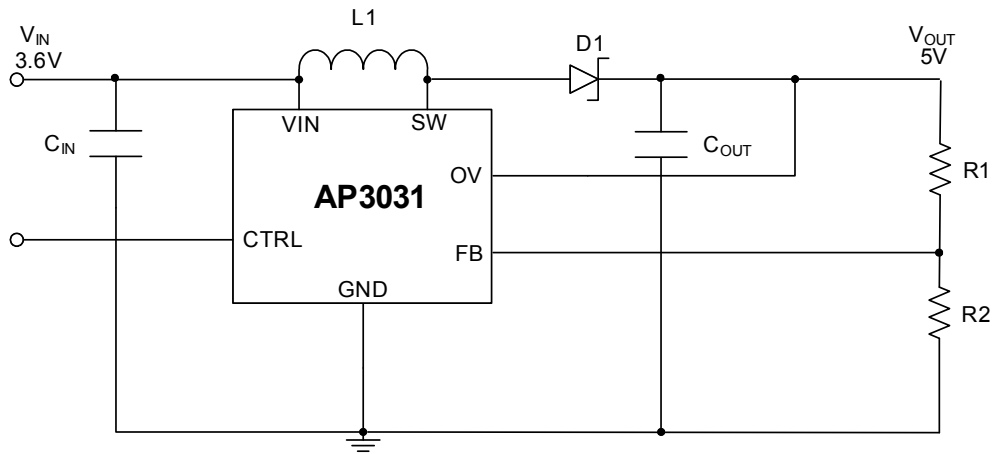
Typical Application



WHITE LED STEP-UP CONVERTER

AP3031

Typical Application (Continued)



Booster for Portable Charger Application (Note 4)

Note 4: $V_{OUT} = (1 + R1/R2) * V_{FB}$

Figure 24. Typical Application of AP3031



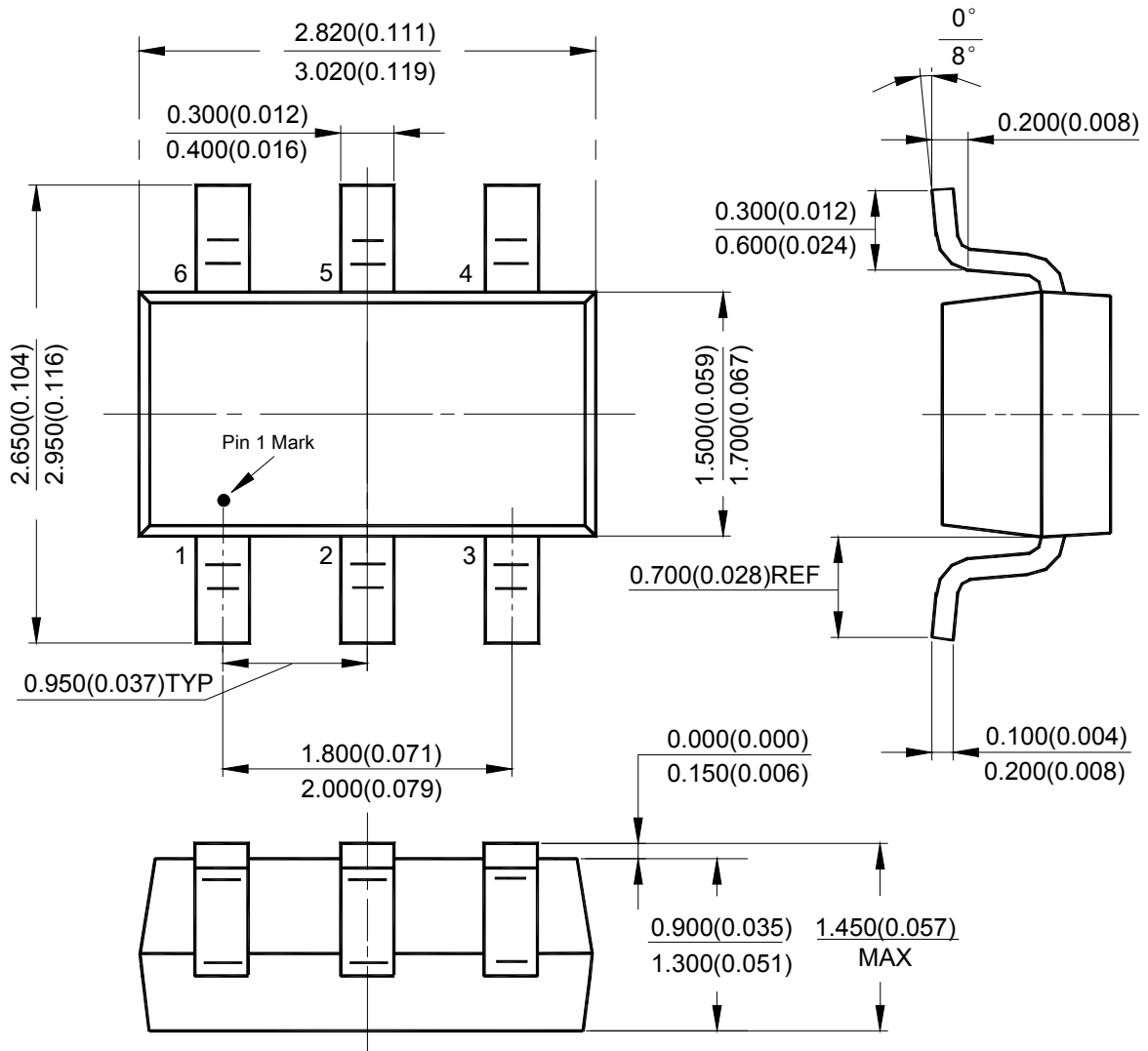
WHITE LED STEP-UP CONVERTER

AP3031

Mechanical Dimensions

SOT-23-6

Unit: mm(inch)





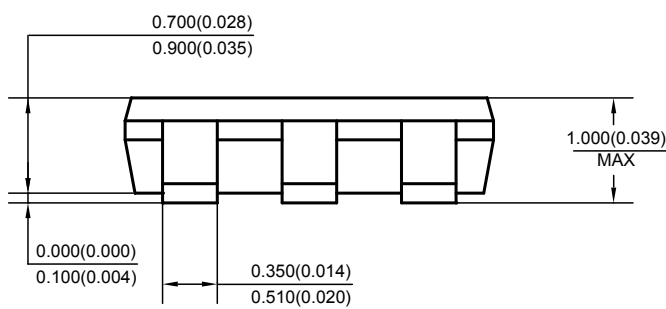
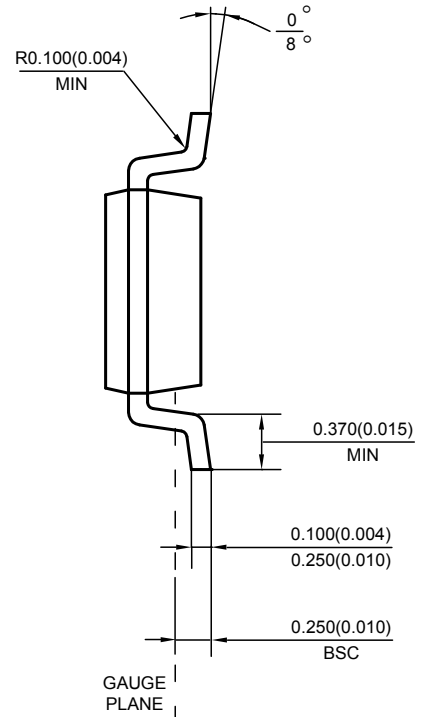
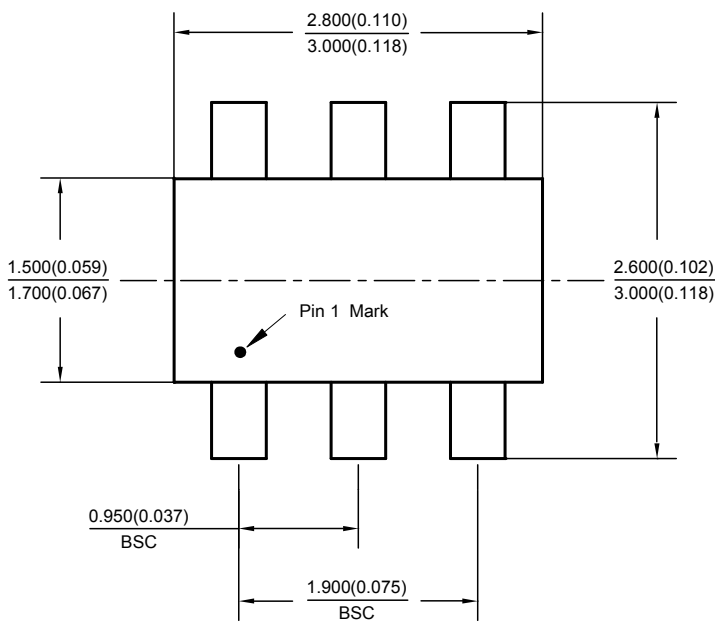
WHITE LED STEP-UP CONVERTER

AP3031

Mechanical Dimensions (Continued)

TSOT-23-6

Unit: mm(inch)





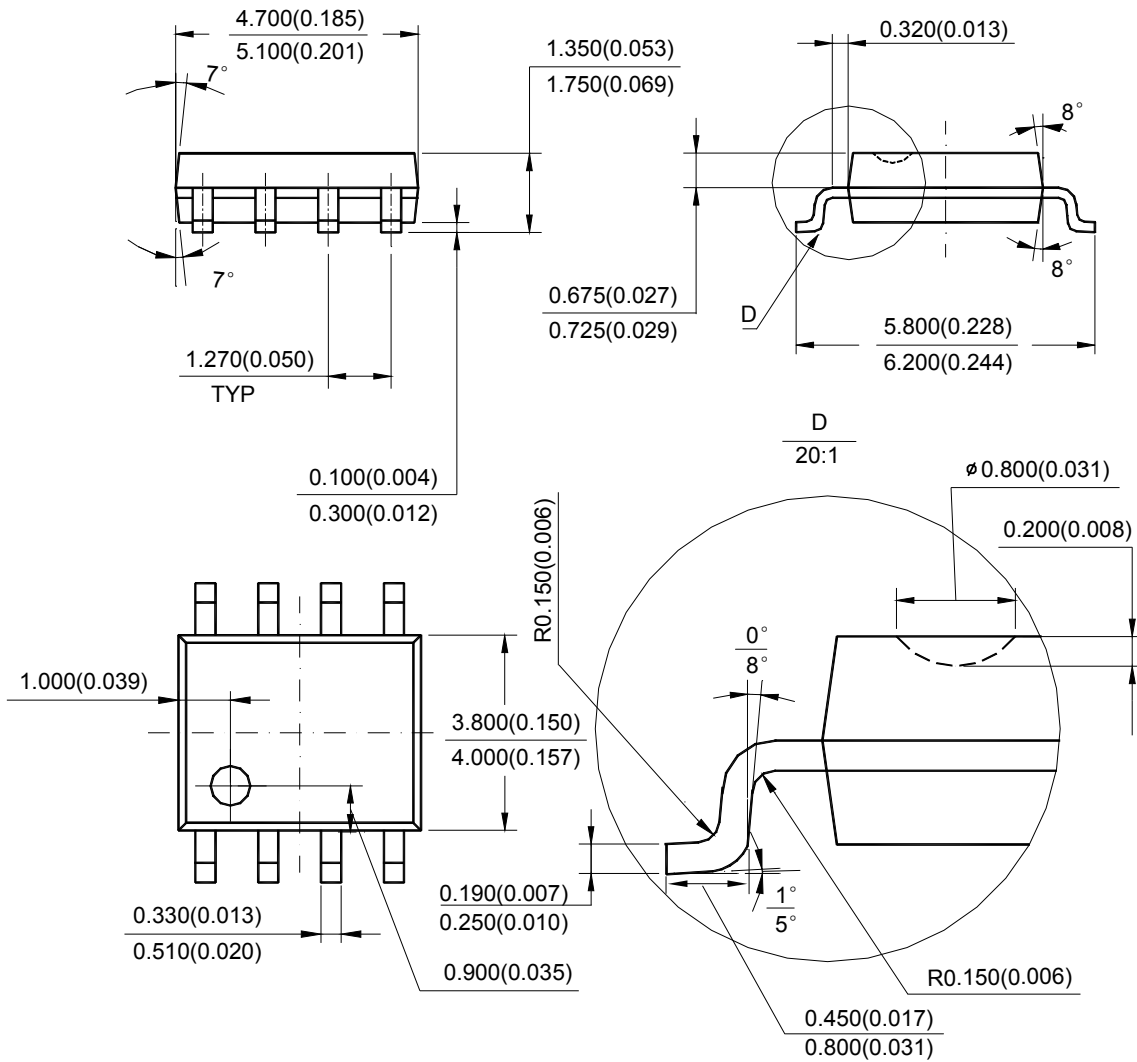
WHITE LED STEP-UP CONVERTER

AP3031

Mechanical Dimensions (Continued)

SOIC-8

Unit: mm(inch)



Note: Eject hole, oriented hole and mold mark is optional.



BCD Semiconductor Manufacturing Limited

<http://www.bcdsemi.com>

IMPORTANT NOTICE

BCD Semiconductor Manufacturing Limited reserves the right to make changes without further notice to any products or specifications herein. BCD Semiconductor Manufacturing Limited does not assume any responsibility for use of any its products for any particular purpose, nor does BCD Semiconductor Manufacturing Limited assume any liability arising out of the application or use of any its products or circuits. BCD Semiconductor Manufacturing Limited does not convey any license under its patent rights or other rights nor the rights of others.

MAIN SITE

- Headquarters

BCD (Shanghai) Micro-electronics Limited

No. 1600, Zi Xing Road, Shanghai ZiZhu Science-based Industrial Park, 200241, P. R. C.
Tel: +86-021-2416-2266, Fax: +86-021-2416-2277

- Wafer Fab

Shanghai SIM-BCD Semiconductor Manufacturing Co., Ltd.

800 Yishan Road, Shanghai 200233, China
Tel: +021-6485-1491, Fax: +86-021-5450-0008

REGIONAL SALES OFFICE

Shenzhen Office

Shanghai SIM-BCD Semiconductor Manufacturing Co., Ltd., Shenzhen Office

Unit A Room 1203, Skyworth Bldg., Gaoxin Ave.1.S., Nanshan District
Shenzhen 518057, China

Tel: +86-0755-8660-4900, Fax: +86-0755-8660-4958

Taiwan Office (Taipei)

BCD Semiconductor (Taiwan) Company Limited

3F, No.17, Lane 171, Sec. 2, Jiu-Zong Rd., Nei-Hu Dist., Taipei(114), Taiwan, R.O.C
Tel: +886-2-2656-2808

Fax: +886-2-2656-2806/26562950

Taiwan Office (Hsinchu)

BCD Semiconductor (Taiwan) Company Limited

8F, No.176, Sec. 2, Gong-Dao 5th Road, East District
HsinChu City 300, Taiwan, R.O.C

Tel: +886-3-5160181, Fax: +886-3-5160181

USA Office

BCD Semiconductor Corp.

48460 Kato Road, Fremont, CA 94538, USA
Tel: +1-510-668-1950

Fax: +1-510-668-1990

Korea Office

BCD Semiconductor Limited Korea office.

Room 101-1112, Digital-Empire II, 486 Sin-dong,
Yeongtong-Gu, Suwon-city, Gyeonggi-do, Korea

Tel: +82-31-695-8430



Компания «ЭлектроПласт» предлагает заключение долгосрочных отношений при поставках импортных электронных компонентов на взаимовыгодных условиях!

Наши преимущества:

- Оперативные поставки широкого спектра электронных компонентов отечественного и импортного производства напрямую от производителей и с крупнейших мировых складов;
- Поставка более 17-ти миллионов наименований электронных компонентов;
- Поставка сложных, дефицитных, либо снятых с производства позиций;
- Оперативные сроки поставки под заказ (от 5 рабочих дней);
- Экспресс доставка в любую точку России;
- Техническая поддержка проекта, помощь в подборе аналогов, поставка прототипов;
- Система менеджмента качества сертифицирована по Международному стандарту ISO 9001;
- Лицензия ФСБ на осуществление работ с использованием сведений, составляющих государственную тайну;
- Поставка специализированных компонентов (Xilinx, Altera, Analog Devices, Intersil, Interpoint, Microsemi, Aeroflex, Peregrine, Syfer, Eurofarad, Texas Instrument, Miteq, Cobham, E2V, MA-COM, Hittite, Mini-Circuits, General Dynamics и др.);

Помимо этого, одним из направлений компании «ЭлектроПласт» является направление «Источники питания». Мы предлагаем Вам помощь Конструкторского отдела:

- Подбор оптимального решения, техническое обоснование при выборе компонента;
- Подбор аналогов;
- Консультации по применению компонента;
- Поставка образцов и прототипов;
- Техническая поддержка проекта;
- Защита от снятия компонента с производства.



Как с нами связаться

Телефон: 8 (812) 309 58 32 (многоканальный)

Факс: 8 (812) 320-02-42

Электронная почта: org@eplast1.ru

Адрес: 198099, г. Санкт-Петербург, ул. Калинина, дом 2, корпус 4, литера А.