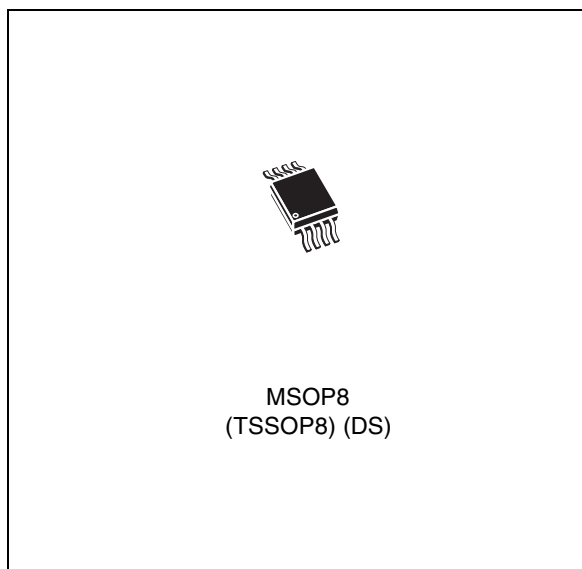


### Features

- Quad voltage monitoring
- Accurate  $\pm 1.8\%$  across temperature voltage threshold ( $\pm 1\%$  at 25 °C)
- Primary supply ( $V_{CC}$ ) monitor. Fixed (factory-programmed) reset thresholds: 3.078 to 2.188 V
- Second fixed ( $V_{2IN}$ ) monitor. Fixed (factory-programmed) reset thresholds: 2.333 to 1.110 V
- Two additional adjustable supply monitor inputs (externally adjustable)
- 0.6 V internal reference
- $\overline{RST}$  output (open drain)
- Output guaranteed for  $V_{CC} \geq 0.8$  V
- Reset delay time ( $t_{REC}$ ) pin selectable
- Manual reset input ( $\overline{MR}$ )
- Low supply current of 12  $\mu A$  (typ)
- Power supply voltage 0.8 to 5.5 V
- RoHS compliant (green package)
- 8-pin MSOP/TSSOP
- Operating temperature:  $-40$  to 85 °C (industrial grade)



### Applications

- Set-top boxes
- Multi-voltage systems
- Cable/satellite applications
- Computer systems
- Data storage equipment

**Table 1. Device summary<sup>(1)</sup>**

Order code	$V_{RST1}$ (V)	$V_{RST2}$ (V)	$t_{REC}$ (ms)	Package
STM6904TZEDS6F	3.078	2.333	210	MSOP8(TSSOP8)
STM6904TWEDS6F	3.078	1.683	210	MSOP8(TSSOP8)
STM6904TGEDS6F	3.078	1.110	210	MSOP8(TSSOP8)
STM6904SYEDS6F	2.955	2.188	210	MSOP8(TSSOP8)
STM6904SFEDS6F	2.955	1.050	210	MSOP8(TSSOP8)
STM6904PWEDS6F	2.866	1.683	210	MSOP8(TSSOP8)

1. Other reset threshold voltages and  $t_{REC}$  timeout periods are offered. Minimum order quantities may apply. Contact local ST sales office for availability.

# Contents

<b>1</b>	<b>Description</b> .....	<b>5</b>
<b>2</b>	<b>Pin descriptions</b> .....	<b>7</b>
2.1	Push-button reset input ( $\overline{MR}$ ) .....	7
2.2	$V_{CC}$ primary supply voltage monitoring input .....	7
2.3	V2IN second fixed voltage monitoring input .....	7
2.4	$V_{SS}$ .....	7
2.5	V3IN and V4IN .....	7
2.6	$\overline{RST}$ active-low, open drain reset output .....	7
2.7	TR <sub>SEL</sub> input .....	7
<b>3</b>	<b>Operation</b> .....	<b>9</b>
3.1	Setting the adjustable voltage levels for V3IN and V4IN inputs .....	9
3.2	Power on reset ( $t_{REC}$ ) .....	9
<b>4</b>	<b>Voltage monitoring</b> .....	<b>10</b>
<b>5</b>	<b>Maximum rating</b> .....	<b>11</b>
<b>6</b>	<b>DC and AC parameters</b> .....	<b>12</b>
<b>7</b>	<b>Package mechanical data</b> .....	<b>15</b>
<b>8</b>	<b>Part numbering</b> .....	<b>17</b>
<b>9</b>	<b>Package marking information</b> .....	<b>18</b>
<b>10</b>	<b>Revision history</b> .....	<b>19</b>

## List of tables

Table 1.	Device summary . . . . .	1
Table 2.	Signal names and functions . . . . .	6
Table 3.	Absolute maximum ratings . . . . .	11
Table 4.	DC and AC characteristics . . . . .	12
Table 5.	TSSOP 8-lead package mechanical data. . . . .	15
Table 6.	Ordering information scheme . . . . .	17
Table 7.	Marking description. . . . .	18
Table 8.	Document revision history . . . . .	19

## List of figures

Figure 1.	Logic diagram . . . . .	5
Figure 2.	MSOP/TSSOP-8 connections. . . . .	5
Figure 3.	Functional block diagram . . . . .	8
Figure 4.	Typical hardware hookup application diagram . . . . .	8
Figure 5.	$\overline{MR}$ timing waveforms . . . . .	10
Figure 6.	Voltage monitoring diagram . . . . .	10
Figure 7.	TSSOP8, 3 x 3mm, package mechanical outline . . . . .	15

# 1 Description

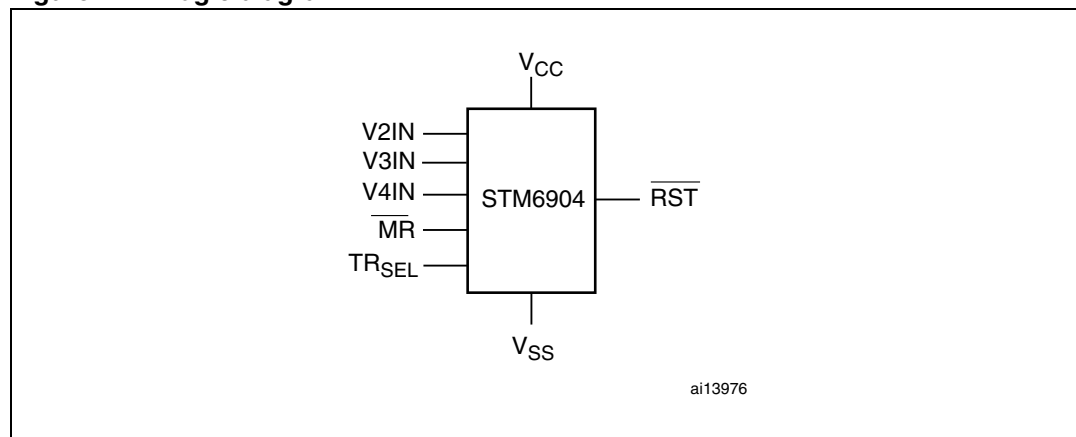
The STM6904 supervisor is a low voltage/low supply current processor supervisor, designed to monitor up to four system power supply voltages. This device is targeted at applications such as “Set-Top Boxes” (STBs), portable, battery-powered systems, networking and communication systems.

The device supports a push-button type manual reset input ( $\overline{MR}$ ). Two of the four supply monitors ( $V_{CC}$  and  $V2IN$ ) have fixed (customer-selectable, factory-trimmed) thresholds ( $V_{RST1}$  and  $V_{RST2}$ ). The other two voltage monitor inputs ( $V3IN$  and  $V4IN$ ) are monitored using externally adjustable threshold (0.600 V internal reference) to meet specific level requirements.

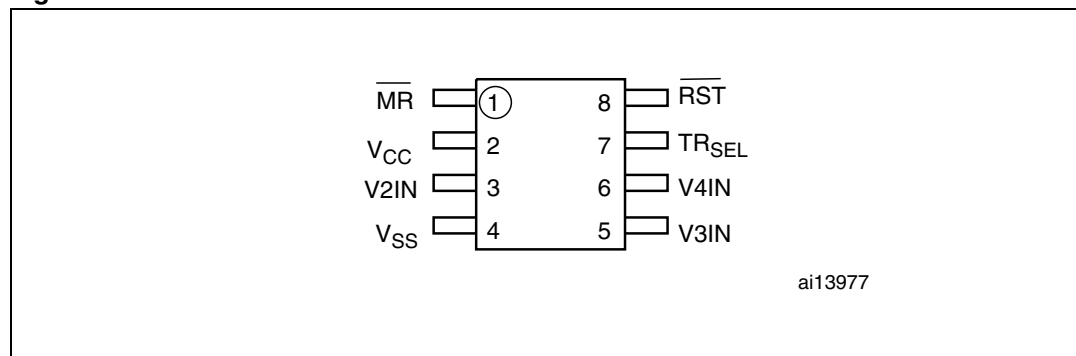
If any of the four monitored voltages drops below its factory-trimmed or adjustable thresholds, or if the  $\overline{MR}$  is asserted to logic low, the reset output  $\overline{RST}$  is asserted (driven low). Once asserted,  $\overline{RST}$  is maintained low for a minimum delay period ( $t_{REC}$ ) after ALL monitored supplies rise above their respective thresholds and  $\overline{MR}$  returns to high. This device is in the correct reset output logic state when  $V_{CC}$  greater than 0.8 V.

The STM6904 is available in a standard 8-lead MSOP (TSSOP) package.

**Figure 1. Logic diagram**



**Figure 2. MSOP/TSSOP-8 connections**



**Table 2. Signal names and functions**

Pin	Name	Type	Function
1	$\overline{\text{MR}}$	Input	Active-low manual reset input with internal pull-up resistor
2	$V_{\text{CC}}$	Supply	Primary supply voltage input and integrated fixed threshold under-voltage monitor
3	V2IN	Input	Second fixed threshold input monitor
4	$V_{\text{SS}}$	Supply	Ground
5	V3IN	Input	Adjustable third reset comparator input
6	V4IN	Input	Adjustable fourth reset comparator input
7	TRSEL	Input	Controls selectable $t_{\text{REC}}$ . Two $t_{\text{REC}}$ options available. If pin is tied high ( $V_{\text{CC}}$ ), $t_{\text{REC}} = 420$ ms If pin is tied low ( $V_{\text{SS}}$ ), $t_{\text{REC}} = 210$ ms Note: Pin must be tied to $V_{\text{CC}}$ or $V_{\text{SS}}$ (do not float)
8	$\overline{\text{RST}}$	Output	Active-low open drain reset output (10 k $\Omega$ internal pull-up)

## 2 Pin descriptions

### 2.1 Push-button reset input ( $\overline{MR}$ )

When  $\overline{MR}$  goes low the  $\overline{RST}$  output is driven low,  $\overline{RST}$  remains low as long as  $\overline{MR}$  is low and for  $t_{REC}$  after  $\overline{MR}$  returns to high. The active-low input has an internal 10 k $\Omega$  pull-up resistor to  $V_{CC}$ . It can be driven from a TTL or CMOS logic line, or with open drain/collector outputs, or connected to  $V_{SS}$  through a switch. If unused, leave this pin open or connect it to  $V_{CC}$ .

Connect a normally open momentary switch from  $\overline{MR}$  to  $V_{SS}$ ; external debounce circuitry is not required. (If  $\overline{MR}$  is driven from long cables or if the device is used in noisy environments, connecting a 0.1  $\mu$ F capacitor from  $\overline{MR}$  to  $V_{SS}$  provides additional noise immunity).

### 2.2 $V_{CC}$ primary supply voltage monitoring input

The  $V_{CC}$  pin is also the input for the primary reset threshold monitor. Fixed (customer-selectable, factory programmed) reset thresholds include 3.078 to 2.866 V.

### 2.3 $V2IN$ second fixed voltage monitoring input

The  $V2IN$  input is the second fixed-voltage input for reset threshold monitoring. Available fixed (customer-selectable, factory programmed) reset thresholds include 2.333 to 1.050 V.

### 2.4 $V_{SS}$

This pin is the ground pin for the power supply.

### 2.5 $V3IN$ and $V4IN$

The  $V3IN$  and  $V4IN$  are high impedance inputs.  $\overline{RST}$  is driven low when the voltage ( $V_{TRIP}$ ) at the pin falls below 600 mV (internal reference voltage at their respective comparators). The monitored voltage reset threshold is set with an external resistor divider network.

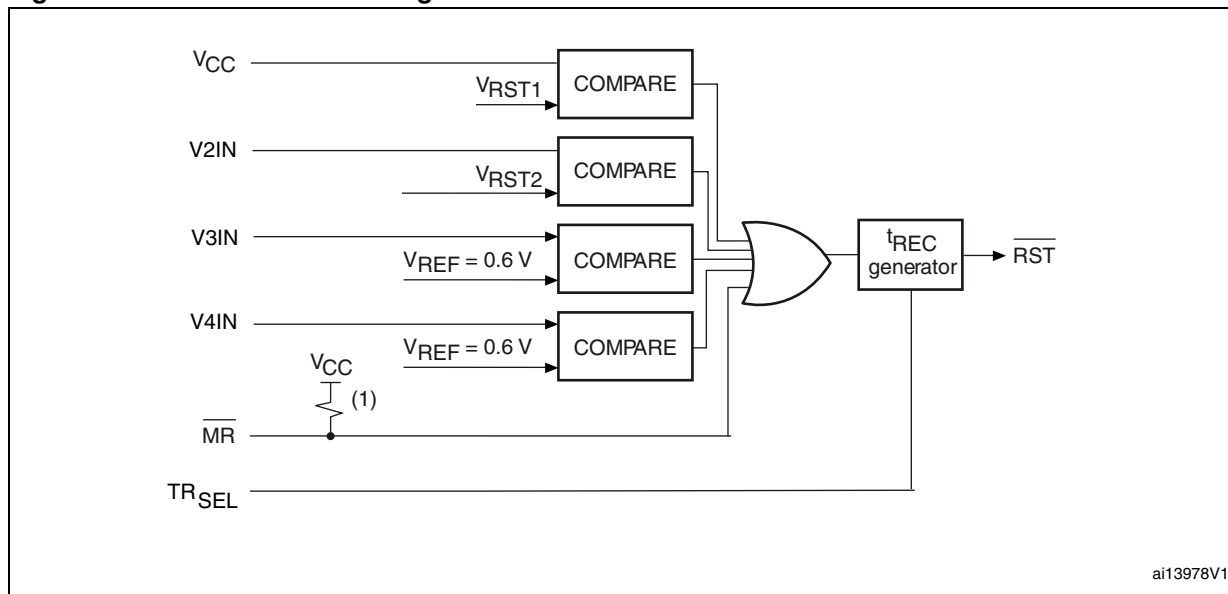
### 2.6 $\overline{RST}$ active-low, open drain reset output

The reset output ( $\overline{RST}$ ) pin is driven low and stays low whenever  $V_{CC}$  or  $V2IN$ , or  $V3IN$ , or  $V4IN$  falls below its factory-trimmed or adjustable reset threshold or when  $\overline{MR}$  goes to logic low. It remains low for  $t_{REC}$  after all supply voltages being monitored rise above their reset thresholds and  $\overline{MR}$  goes from low to high. Connect an external pull-up resistor to  $V_{CC}$ . A 10 k $\Omega$  pull-up resistor should be sufficient for most applications.

### 2.7 $TR_{SEL}$ input

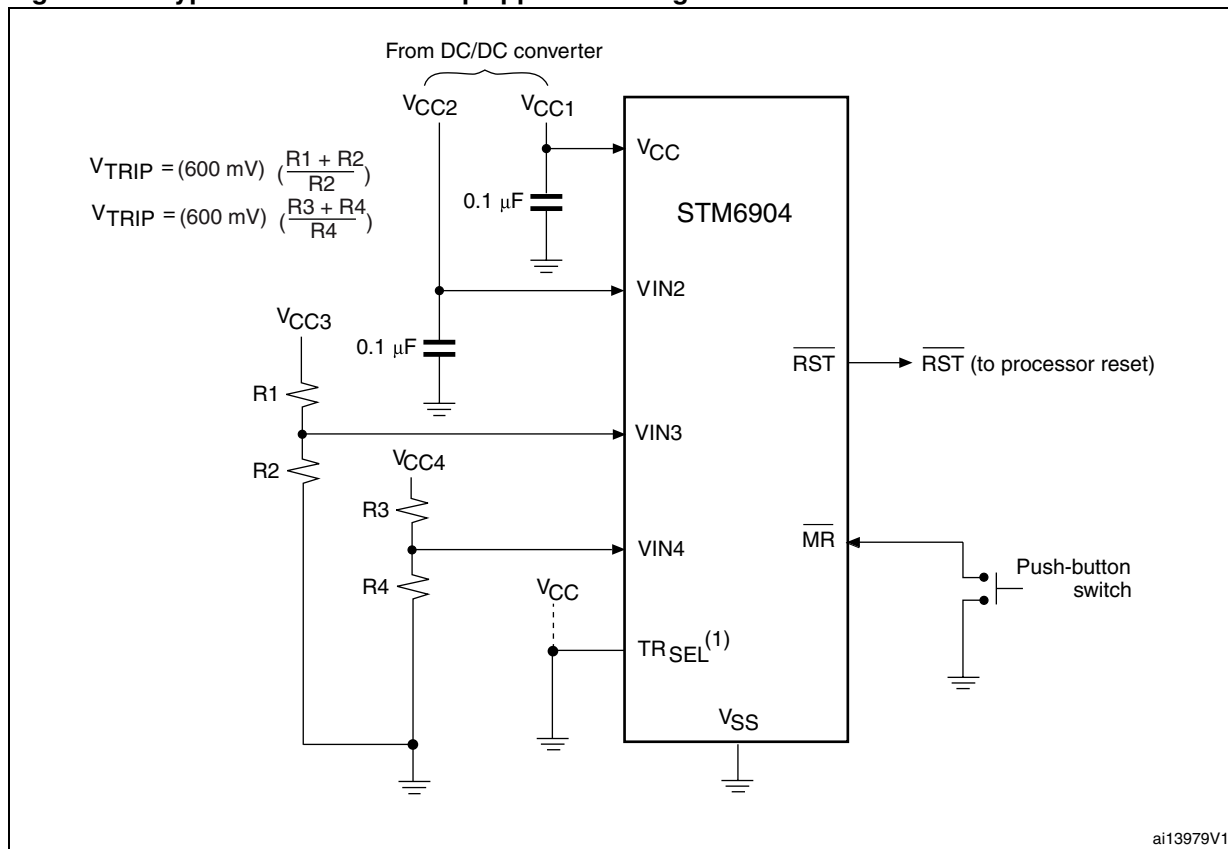
Allows user to select between two values of  $t_{REC}$  timing (210 or 420 ms). Pin must be tied to  $V_{SS}$  (210 ms) or  $V_{CC}$  (420 ms).

Figure 3. Functional block diagram



1. Internal pull-up on MR input of 10 kΩ (typ.).

Figure 4. Typical hardware hookup application diagram



1. TRSEL must be tied to VCC (tREC = 420 ms) or to VSS (tREC = 210 ms).



## 3 Operation

The STM6904 provides the ability to monitor critical voltages such as power-supply and battery voltage levels, while interfacing easily to the system controllers/microprocessors.

*Figure 4* shows typical hardware hookup for monitoring four voltages; two fixed thresholds (customer-selectable, factory-programmed) and two adjustable monitor inputs.  $\overline{\text{RST}}$  output is open drain and requires a 10 k $\Omega$  pull-up resistor tied to  $V_{\text{CC}}$ .

### 3.1 Setting the adjustable voltage levels for V3IN and V4IN inputs

The user can customize the minimum voltage levels for the two adjustable voltage inputs by connecting an external resistor divider network to the V3IN and V4IN pins in order to set the trip point at some voltage above the 600 mV ( $V_{\text{REF}}$ ) according to the following formula:

$$V_{\text{TRIP}} = 0.6\text{V} \times \frac{R1 + R2}{R2}$$

During normal operation, the STM6904 monitors the voltage levels at all four pins ( $V_{\text{CC}}$ , V2IN, V3IN, and V4IN).

### 3.2 Power on reset ( $t_{\text{REC}}$ )

On power up, the STM6904 activates a power on reset circuit which asserts the reset pin (i.e.  $\overline{\text{RST}}$  goes low). The  $\overline{\text{RST}}$  signal remains active until  $V_{\text{CC}}$  (and V2IN, V3IN, V4IN and  $\overline{\text{MR}}$ ) rises above the minimum voltage level for the time period  $t_{\text{REC}}$  thereby ensuring that the supply voltage has stabilized to sufficient operating levels.

## 4 Voltage monitoring

Figure 5.  $\overline{\text{MR}}$  timing waveforms

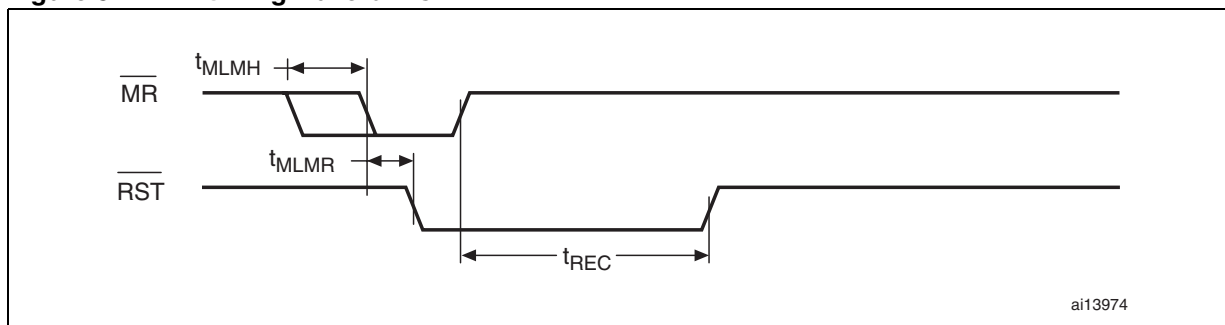
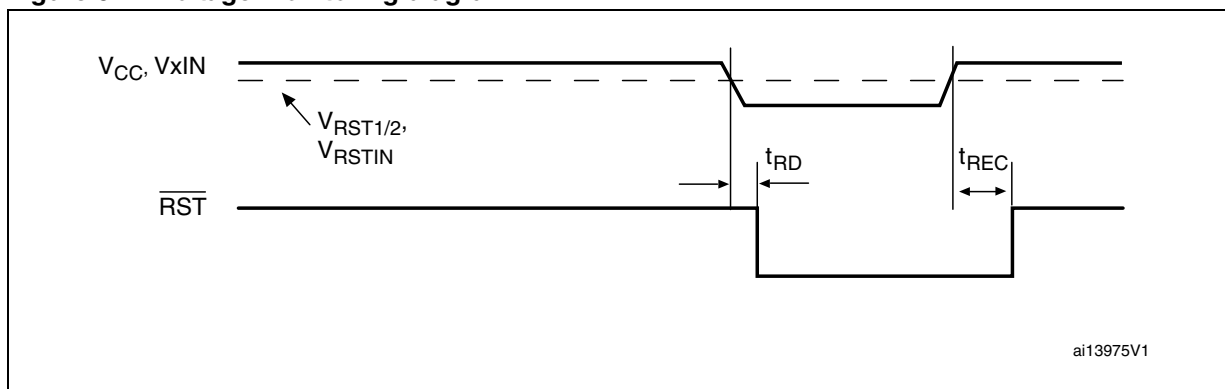


Figure 6. Voltage monitoring diagram



## 5 Maximum rating

Stressing the device above the rating listed in [Table 3: Absolute maximum ratings](#) may cause permanent damage to the device. These are stress ratings only and operation of the device at these or any other conditions above those indicated in [Section 6: DC and AC parameters](#) of this specification is not implied. Exposure to absolute maximum rating conditions for extended periods may affect device reliability. Refer also to the STMicroelectronics™ SURE Program and other relevant quality documents.

**Table 3. Absolute maximum ratings**

Symbol	Parameter	Value	Unit
$T_{STG}$	Storage temperature ( $V_{CC}$ off)	-55 to +150	°C
$T_{SLD}^{(1)}$	Lead solder temperature for 10 seconds	260	°C
$V_{IO}$	Input or output voltage	-0.3 to $V_{CC} + 0.3$	V
$V_{CC}$	Supply voltage	-0.3 to 7.0	V
$I_O$	Output current	20	mA
$\theta_{JA}$	Thermal resistance (junction to ambient)	146	°C/W

1. Reflow at peak temperature of 255 to 260 °C for < 30 seconds (total thermal budget not to exceed 180 °C for between 90 to 150 seconds).

## 6 DC and AC parameters

This section summarizes the operating measurement conditions and the DC and AC characteristics of the device. Designers should check that the operating conditions in their circuit match the operating conditions when relying on the quoted parameters.

**Table 4. DC and AC characteristics**

Sym- bol	Alter- native	Description	Test condition <sup>(1)</sup>	Min.	Typ.	Max.	Unit	
V <sub>CC</sub>		Operating voltage		0.8		5.5	V	
I <sub>CC</sub>		V <sub>CC</sub> supply current	V <sub>CC</sub> < 5.5 V		10	14	μA	
			V <sub>CC</sub> = 3.3 V		9	13		
I <sub>2IN</sub>		V <sub>2IN</sub> supply current	V <sub>2IN</sub> = 3.3 V		3	5	μA	
I <sub>LI</sub>		Input leakage current - (MR) <sup>(2)</sup>	V <sub>IN</sub> = V <sub>SS</sub>		500	800	μA	
		Input leakage current - (TR <sub>SEL</sub> )	V <sub>IN</sub> = V <sub>SS</sub> or V <sub>CC</sub>	-0.5		+0.5	μA	
I <sub>LO</sub> <sup>(3)</sup>		Open drain $\overline{\text{RST}}$ output leakage current	V <sub>CC</sub> > V <sub>RST</sub> ; $\overline{\text{RST}}$ not asserted	-0.5		+0.5	μA	
V <sub>OL</sub>		Output low voltage ( $\overline{\text{RST}}$ ; open drain)	V <sub>CC</sub> ≥ 0.8 V, I <sub>SINK</sub> = 1 μA			0.3	V	
			V <sub>CC</sub> ≥ 1.0 V, I <sub>SINK</sub> = 50 μA			0.3	V	
			V <sub>CC</sub> ≥ 1.2 V, I <sub>SINK</sub> = 100 μA			0.3	V	
			V <sub>CC</sub> ≥ 2.7 V, I <sub>SINK</sub> = 1.2 mA			0.3	V	
			V <sub>CC</sub> ≥ 4.5 V, I <sub>SINK</sub> = 3.2 mA			0.4	V	
V <sub>RST1</sub> <sup>(4)</sup>	V <sub>TH1</sub>	V <sub>CC</sub> reset threshold	T (falling)	25 °C	3.047	3.078	3.109	V
				-40 to 85 °C	3.023		3.133	
			S (falling)	25 °C	2.925	2.955	2.985	V
				-40 to 85 °C	2.902		3.008	
			P (falling)	25 °C	2.837	2.866	2.895	V
				-40 to 85 °C	2.814		2.918	

Table 4. DC and AC characteristics (continued)

Symbol	Alternative	Description	Test condition <sup>(1)</sup>	Min.	Typ.	Max.	Unit			
$V_{RST2}^{(4)}$	$V_{TH2}$	V2IN reset threshold	Z (falling)	25 °C	2.310	2.333	2.356	V		
				-40 to 85 °C	2.291		2.375			
			Y (falling)	25 °C	2.166	2.188	2.210	V		
				-40 to 85 °C	2.149		2.227			
			W (falling)	25 °C	1.666	1.683	1.700	V		
				-40 to 85 °C	1.653		1.713			
			G (falling)	25 °C	1.099	1.110	1.121	V		
				-40 to 85 °C	1.090		1.130			
			F (falling)	25 °C	1.040	1.050	1.061	V		
				-40 to 85 °C	1.031		1.069			
			$V_{HYST}$		Reset threshold hysteresis	Referenced to $V_{RST1}/V_{RST2}$ typical		0.5		%
			$t_{RD}$		$V_{CC}$ to $\overline{RST}$ delay	$V_{CC} = (V_{RST1} + 100 \text{ mV})$ to $(V_{RST1} - 100 \text{ mV})$		20		$\mu\text{s}$
$V2IN = (V_{RST2} + 75 \text{ mV})$ to $(V_{RST2} - 75 \text{ mV})$		20					$\mu\text{s}$			
$t_{REC}^{(5)}$	$t_{RP}$	$\overline{RST}$ timeout period	$TR_{SEL} = \text{LOW} (V_{SS})$	140	210	280	ms			
			$TR_{SEL} = \text{HIGH} (V_{CC})$	280	420	560	ms			
<b>Adjustable reset comparator input (V3IN and V4IN)</b>										
$V_{RSTIN}$		V3IN, V4IN input threshold		589	600	611	mV			
I3IN, I4IN		V3IN, V4IN input current	V3IN, V4IN > 0.8 V	-25		+25	nA			
		V3IN, V4IN hysteresis			3		mV			
$t_{RSTIND}$		V3IN, V4IN to $\overline{RST}$ output delay	$V_{RSTIN}$ to $(V_{RSTIN} - 30 \text{ mV})$		22		$\mu\text{s}$			
<b>Manual (push-button) reset input</b>										
$V_{IL}$		$\overline{MR}$ input voltage				$0.3 \times V_{CC}$	V			
$V_{IH}$					$0.7 \times V_{CC}$			V		
$t_{MLMH}$	$t_{MR}$	$\overline{MR}$ minimum pulse width		1			$\mu\text{s}$			
$t_{MLRL}$	$t_{MRD}$	$\overline{MR}$ to $\overline{RST}$ output delay			200		ns			

Table 4. DC and AC characteristics (continued)

Symbol	Alternative	Description	Test condition <sup>(1)</sup>	Min.	Typ.	Max.	Unit
		$\overline{\text{MR}}$ glitch immunity			100		ns
		$\overline{\text{MR}}$ pull-up resistance			10		k $\Omega$

1. Valid for ambient operating temperature:  $T_A = -40$  to  $+85$  °C;  $V_{CC} = 0.8$  to  $5.5$  V (except where noted).
2. 10 k $\Omega$  (typ) internal pull-up resistor.
3. The leakage current measured on the  $\overline{\text{RST}}$  pin is tested with the reset de-asserted (output high impedance).
4. Other reset threshold voltages are offered. Minimum order quantities may apply. Contact local sales office for availability.
5. Other  $t_{\text{REC}}$  timeout periods are offered. Minimum order quantities may apply. Contact local sales office for availability.

## 7 Package mechanical data

In order to meet environmental requirements, ST offers these devices in different grades of ECOPACK<sup>®</sup> packages, depending on their level of environmental compliance. ECOPACK<sup>®</sup> specifications, grade definitions and product status are available at: [www.st.com](http://www.st.com). ECOPACK<sup>®</sup> is an ST trademark.

**Figure 7. TSSOP8, 3 x 3mm, package mechanical outline**

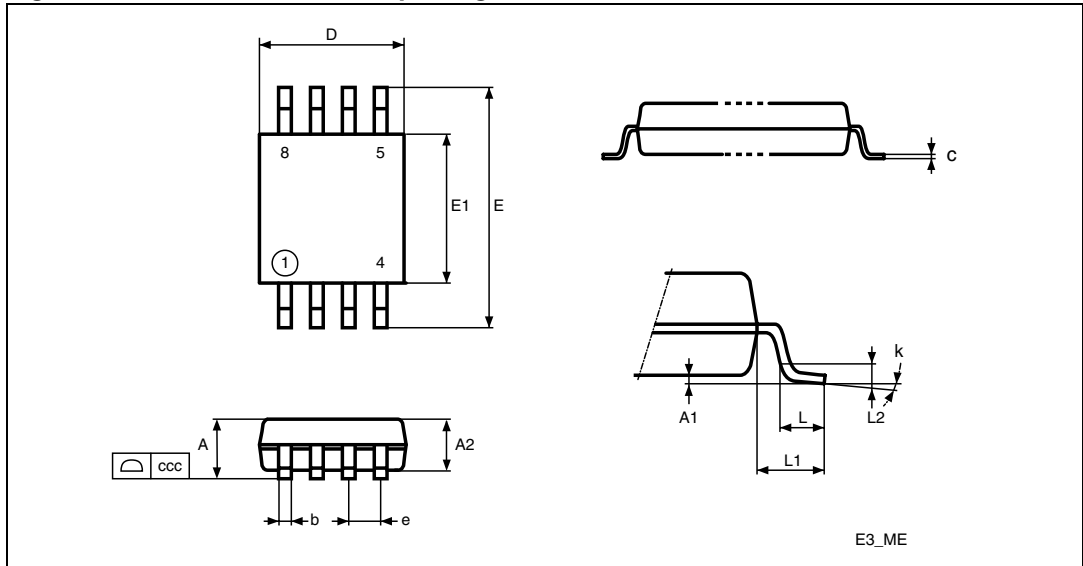


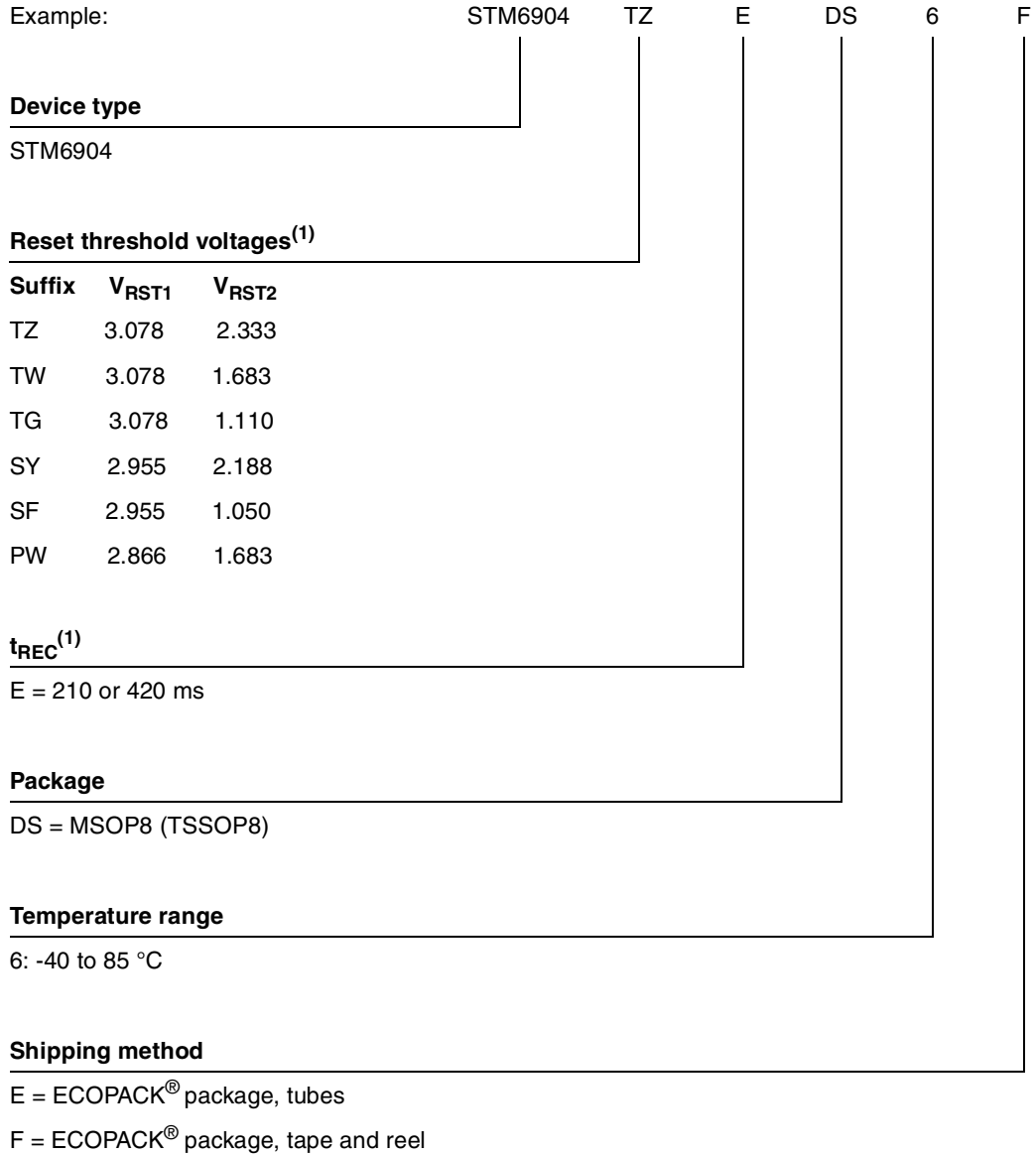
Table 5. TSSOP 8-lead package mechanical data

Symbol	mm			inches		
	Min.	Typ.	Max.	Min.	Typ.	Max.
A			1.10			0.043
A1	0.00		0.15	0.000		0.006
A2	0.75	0.85	0.95	0.030	0.034	0.037
b	0.22		0.40	0.009		0.016
c	0.08		0.23	0.003		0.009
ccc			0.10			0.004
D	2.80	3.00	3.20	0.110	0.118	0.126
e		0.65			0.026	
E	4.65	4.90	5.15	0.183	0.193	0.203
E1	2.80	3.00	3.10	0.110	0.118	0.122
L	0.40	0.60	0.80	0.016	0.024	0.032
L1		0.95			0.037	
L2		0.25			0.010	
k	0°	4	6°	0°	4	6°
N	8			8		



# 8 Part numbering

**Table 6. Ordering information scheme**



1. Other reset threshold voltages and t<sub>REC</sub> timeout periods are offered. Minimum order quantities may apply. Contact local sales office for availability.

## 9 Package marking information

**Table 7. Marking description**

Part marking	$V_{RST1}$ (V)	$V_{RST2}$ (V)	Package	Topside marking
STM6904TZEDS6F	3.078	2.333	MSOP (TSSOP8)	STZ4
STM6904TWEDS6F	3.078	1.683	MSOP (TSSOP8)	STW4
STM6904TGEDS6F	3.078	1.110	MSOP (TSSOP8)	STG4
STM6904SFEDS6F	2.955	1.050	MSOP (TSSOP8)	SSF4
STM6904SYEDS6F	2.955	2.188	MSOP (TSSOP8)	SSY4
STM6904PWEDS6F	2.866	1.683	MSOP (TSSOP8)	SPW4

## 10 Revision history

**Table 8. Document revision history**

Date	Revision	Changes
19-Dec-2007	1	Initial release.
28-Jan-2008	2	Updated cover page, <a href="#">Figure 6</a> and <a href="#">Table 4</a> .
16-Dec-2011	3	Removed label "Preliminary Data", document reformatted, minor text corrections throughout document, updated <a href="#">Section 6</a> , ECOPACK <sup>®</sup> and Disclaimer.

**Please Read Carefully:**

Information in this document is provided solely in connection with ST products. STMicroelectronics NV and its subsidiaries ("ST") reserve the right to make changes, corrections, modifications or improvements, to this document, and the products and services described herein at any time, without notice.

All ST products are sold pursuant to ST's terms and conditions of sale.

Purchasers are solely responsible for the choice, selection and use of the ST products and services described herein, and ST assumes no liability whatsoever relating to the choice, selection or use of the ST products and services described herein.

No license, express or implied, by estoppel or otherwise, to any intellectual property rights is granted under this document. If any part of this document refers to any third party products or services it shall not be deemed a license grant by ST for the use of such third party products or services, or any intellectual property contained therein or considered as a warranty covering the use in any manner whatsoever of such third party products or services or any intellectual property contained therein.

**UNLESS OTHERWISE SET FORTH IN ST'S TERMS AND CONDITIONS OF SALE ST DISCLAIMS ANY EXPRESS OR IMPLIED WARRANTY WITH RESPECT TO THE USE AND/OR SALE OF ST PRODUCTS INCLUDING WITHOUT LIMITATION IMPLIED WARRANTIES OF MERCHANTABILITY, FITNESS FOR A PARTICULAR PURPOSE (AND THEIR EQUIVALENTS UNDER THE LAWS OF ANY JURISDICTION), OR INFRINGEMENT OF ANY PATENT, COPYRIGHT OR OTHER INTELLECTUAL PROPERTY RIGHT.**

**UNLESS EXPRESSLY APPROVED IN WRITING BY TWO AUTHORIZED ST REPRESENTATIVES, ST PRODUCTS ARE NOT RECOMMENDED, AUTHORIZED OR WARRANTED FOR USE IN MILITARY, AIR CRAFT, SPACE, LIFE SAVING, OR LIFE SUSTAINING APPLICATIONS, NOR IN PRODUCTS OR SYSTEMS WHERE FAILURE OR MALFUNCTION MAY RESULT IN PERSONAL INJURY, DEATH, OR SEVERE PROPERTY OR ENVIRONMENTAL DAMAGE. ST PRODUCTS WHICH ARE NOT SPECIFIED AS "AUTOMOTIVE GRADE" MAY ONLY BE USED IN AUTOMOTIVE APPLICATIONS AT USER'S OWN RISK.**

Resale of ST products with provisions different from the statements and/or technical features set forth in this document shall immediately void any warranty granted by ST for the ST product or service described herein and shall not create or extend in any manner whatsoever, any liability of ST.

ST and the ST logo are trademarks or registered trademarks of ST in various countries.

Information in this document supersedes and replaces all information previously supplied.

The ST logo is a registered trademark of STMicroelectronics. All other names are the property of their respective owners.

© 2011 STMicroelectronics - All rights reserved

STMicroelectronics group of companies

Australia - Belgium - Brazil - Canada - China - Czech Republic - Finland - France - Germany - Hong Kong - India - Israel - Italy - Japan - Malaysia - Malta - Morocco - Philippines - Singapore - Spain - Sweden - Switzerland - United Kingdom - United States of America

[www.st.com](http://www.st.com)



Компания «ЭлектроПласт» предлагает заключение долгосрочных отношений при поставках импортных электронных компонентов на взаимовыгодных условиях!

Наши преимущества:

- Оперативные поставки широкого спектра электронных компонентов отечественного и импортного производства напрямую от производителей и с крупнейших мировых складов;
- Поставка более 17-ти миллионов наименований электронных компонентов;
- Поставка сложных, дефицитных, либо снятых с производства позиций;
- Оперативные сроки поставки под заказ (от 5 рабочих дней);
- Экспресс доставка в любую точку России;
- Техническая поддержка проекта, помощь в подборе аналогов, поставка прототипов;
- Система менеджмента качества сертифицирована по Международному стандарту ISO 9001;
- Лицензия ФСБ на осуществление работ с использованием сведений, составляющих государственную тайну;
- Поставка специализированных компонентов (Xilinx, Altera, Analog Devices, Intersil, Interpoint, Microsemi, Aeroflex, Peregrine, Syfer, Eurofarad, Texas Instrument, Miteq, Cobham, E2V, MA-COM, Hittite, Mini-Circuits, General Dynamics и др.);

Помимо этого, одним из направлений компании «ЭлектроПласт» является направление «Источники питания». Мы предлагаем Вам помощь Конструкторского отдела:

- Подбор оптимального решения, техническое обоснование при выборе компонента;
- Подбор аналогов;
- Консультации по применению компонента;
- Поставка образцов и прототипов;
- Техническая поддержка проекта;
- Защита от снятия компонента с производства.



#### Как с нами связаться

**Телефон:** 8 (812) 309 58 32 (многоканальный)

**Факс:** 8 (812) 320-02-42

**Электронная почта:** [org@eplast1.ru](mailto:org@eplast1.ru)

**Адрес:** 198099, г. Санкт-Петербург, ул. Калинина, дом 2, корпус 4, литера А.