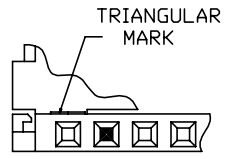
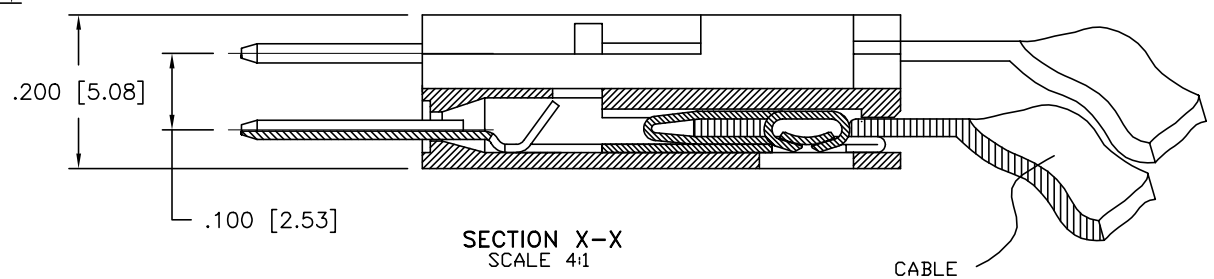
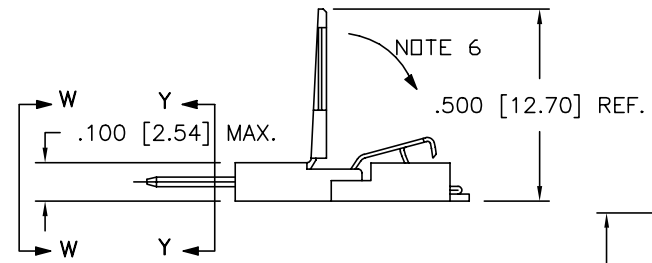
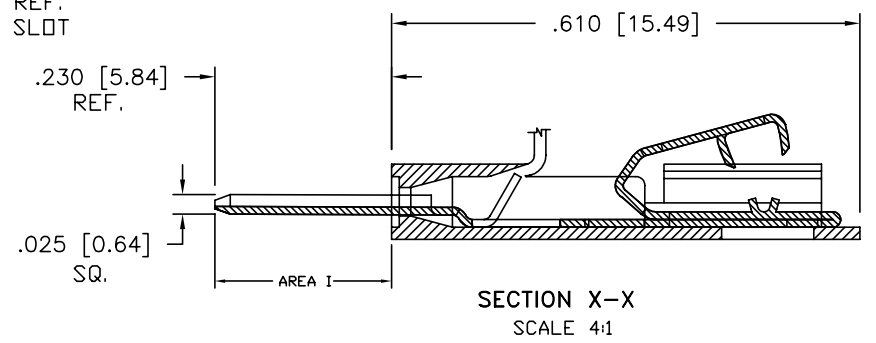
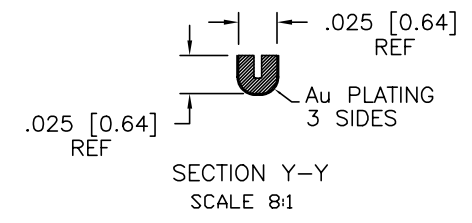
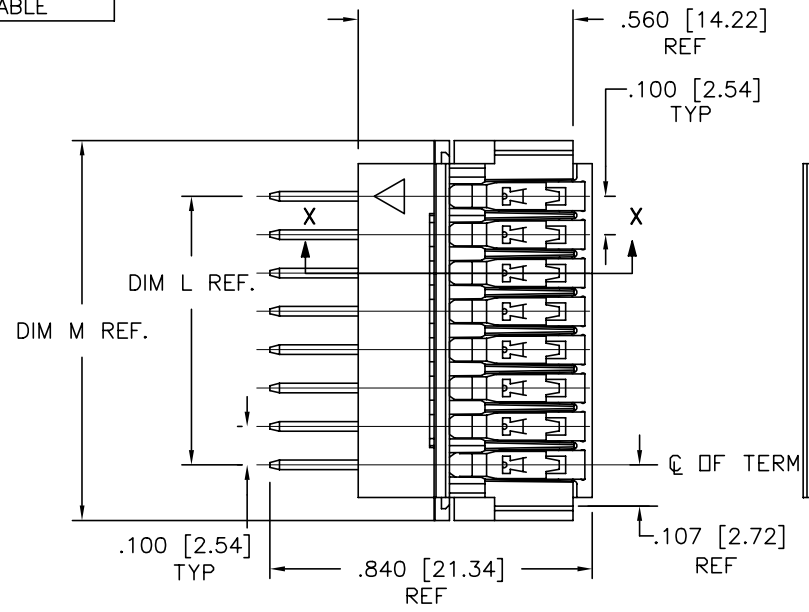


PRODUCT NUMBER
SEE TABLE



SECTION X-X
SCALE 4:1
CABLE TERMINATED
AND LID CLOSED

| | | | | | | | | | |
|-------------------|--------------|---------------------------------------|----------|----------------------------------|-------------|-----------------------|-------------------------------|----------------------------|----|
| mat'l. code | | surface ISO 1302 ✓ | | tolerance ISO 406 ISO 1101 | | projection INCH/MM | | product family CLINCHER | |
| ltr ecn nodr date | | tolerances unless otherwise specified | | title | | dwg no | | sheet 1 of 4 size | |
| X | ELX-N-011225 | ZK | 03/30/12 | angles | linear | XXXX.01/0.XX10.3 | CLINCHER™ PIN ASSEMBLY | | |
| S | V00672 | RGD | 6/23/00 | 0°±2' | | XXXX.005/0.XX10.13 | scale 2:1 | | |
| T | V01741 | RGD | 8/4/00 | chr | P.PARSONS | 9/13/93 | FCI | | |
| U | M05-0154 | MHT | 6/27/05 | engr | T. HANNA | 9/13/93 | 66226 | | A3 |
| V | M06-0233 | AGS | 06/13/06 | chr | T.BREWBAKER | 9/13/93 | type Product Customer Drawing | | |
| W | M07-0156 | MHT | 3/14/07 | appd | T. HANNA | 9/13/93 | | | |
| sheet | revision | X | X | X | X | | | | |
| index | sheet | 1 | 2 | 3 | 4 | | | | |

| PRODUCT NO. | NO. OF | DIM L | DIM L | DIM M | DIM M | DIM N | DIM N | PLATING | COLOR |
|-------------|----------|---------|--------|---------|--------|---------|--------|---------|-------|
| NOTE 8 | POSITION | ENGLISH | METRIC | ENGLISH | METRIC | ENGLISH | METRIC | CODE | |
| 66226-001 | | | U N A | S S I G | N E D | | | | |
| 66226-002 | 2 | 0.100 | 2.54 | 0.390 | 9.91 | 0.315 | 8.00 | 1 | BLUE |
| 66226-003 | 3 | 0.200 | 5.08 | 0.490 | 12.45 | 0.415 | 10.54 | 1 | BLUE |
| 66226-004 | 4 | 0.300 | 7.62 | 0.590 | 14.99 | 0.515 | 13.08 | 1 | BLUE |
| 66226-005 | 5 | 0.400 | 10.16 | 0.690 | 17.53 | 0.615 | 15.62 | 1 | BLUE |
| 66226-006 | 6 | 0.500 | 12.70 | 0.790 | 20.07 | 0.715 | 18.16 | 1 | BLUE |
| 66226-007 | 7 | 0.600 | 15.24 | 0.890 | 22.61 | 0.815 | 20.70 | 1 | BLUE |
| 66226-008 | 8 | 0.700 | 17.78 | 0.990 | 25.15 | 0.915 | 23.24 | 1 | BLUE |
| 66226-009 | 9 | 0.800 | 20.32 | 1.090 | 27.69 | 1.015 | 25.78 | 1 | BLUE |
| 66226-010 | 10 | 0.900 | 22.86 | 1.190 | 30.23 | 1.115 | 28.32 | 1 | BLUE |
| 66226-011 | 11 | 1.000 | 25.40 | 1.290 | 32.77 | 1.215 | 30.86 | 1 | BLUE |
| 66226-012 | 12 | 1.100 | 27.94 | 1.390 | 35.31 | 1.315 | 33.40 | 1 | BLUE |
| 66226-013 | 13 | 1.200 | 30.48 | 1.490 | 37.85 | 1.415 | 35.94 | 1 | BLUE |
| 66226-014 | 14 | 1.300 | 33.02 | 1.590 | 40.39 | 1.515 | 38.48 | 1 | BLUE |
| 66226-015 | 15 | 1.400 | 35.56 | 1.690 | 42.93 | 1.615 | 41.02 | 1 | BLUE |
| 66226-016 | 16 | 1.500 | 38.10 | 1.790 | 45.47 | 1.715 | 43.56 | 1 | BLUE |
| 66226-017 | 17 | 1.600 | 40.64 | 1.890 | 48.01 | 1.815 | 46.10 | 1 | BLUE |
| 66226-018 | 18 | 1.700 | 43.18 | 1.990 | 50.55 | 1.915 | 48.64 | 1 | BLUE |
| 66226-019 | 19 | 1.800 | 45.72 | 2.090 | 53.09 | 2.015 | 51.18 | 1 | BLUE |
| 66226-020 | 20 | 1.900 | 48.26 | 2.190 | 55.63 | 2.115 | 53.72 | 1 | BLUE |
| 66226-021 | 21 | 2.000 | 50.80 | 2.290 | 58.17 | 2.215 | 56.26 | 1 | BLUE |
| 66226-022 | 22 | 2.100 | 53.34 | 2.390 | 60.71 | 2.315 | 58.80 | 1 | BLUE |
| 66226-023 | 23 | 2.200 | 55.88 | 2.490 | 63.25 | 2.415 | 61.34 | 1 | BLUE |
| 66226-024 | 24 | 2.300 | 58.42 | 2.590 | 65.79 | 2.515 | 63.88 | 1 | BLUE |
| 66226-025 | 25 | 2.400 | 60.96 | 2.690 | 68.33 | 2.615 | 66.42 | 1 | BLUE |
| 66226-026 | 26 | 2.500 | 63.50 | 2.790 | 70.87 | 2.715 | 68.96 | 1 | BLUE |
| 66226-027 | 27 | 2.600 | 66.04 | 2.890 | 73.41 | 2.815 | 71.50 | 1 | BLUE |
| 66226-028 | 28 | 2.700 | 68.58 | 2.990 | 75.95 | 2.915 | 74.04 | 1 | BLUE |
| 66226-029 | 29 | 2.800 | 71.12 | 3.090 | 78.49 | 3.015 | 76.58 | 1 | BLUE |
| 66226-030 | 30 | 2.900 | 73.66 | 3.190 | 81.03 | 3.115 | 79.12 | 1 | BLUE |
| 66226-031 | 31 | 3.000 | 76.20 | 3.290 | 83.57 | 3.215 | 81.66 | 1 | BLUE |
| 66226-032 | 32 | 3.100 | 78.74 | 3.390 | 86.11 | 3.315 | 84.20 | 1 | BLUE |

| | | | | | |
|-------------|----------|-----------------------|----------------------------------|---------------------------------------|--|
| mat'l. code | | surface ISO 1302 ✓ | tolerance ISO 406 ISO 1101 | projection | product family CLINCHER |
| ltr | ecn | no | date | title CLINCHER™ PIN ASSEMBLY | |
| X | | | | tolerances unless otherwise specified | INCH/MM |
| | | | | angles 0°±2' | linear XXX.01/0.XXX0.3 XXX.005/0.XXX0.13 XXX.002/0.XXX0.051 |
| | | | | dr | P.PARSONS 9/13/93 |
| | | | | engr | T. HANNA 9/13/93 |
| | | | | chr | T.BREWBAKER 9/13/93 |
| | | | | appd | T. HANNA 9/13/93 |
| sheet | revision | | | | |
| index | sheet | | | | |
| | | | | scale 2:1 | dwg no 66226 sheet 2 of 4 size A3 |
| | | | | | type Product Customer Drawing |

| PRODUCT NO. | NO. OF | DIM L | DIM L | DIM M | DIM M | DIM N | DIM N | PLATING | COLOR |
|-------------|----------|---------|--------|---------|--------|---------|--------|---------|-------|
| NOTE 8 | POSITION | ENGLISH | METRIC | ENGLISH | METRIC | ENGLISH | METRIC | CODE | |
| 66226-033 | | | U N A | S S I G | N E D | | | | |
| 66226-034 | 2 | 0.100 | 2.54 | 0.390 | 9.91 | 0.315 | 8.00 | 2 | BLUE |
| 66226-035 | 3 | 0.200 | 5.08 | 0.490 | 12.45 | 0.415 | 10.54 | 2 | BLUE |
| 66226-036 | 4 | 0.300 | 7.62 | 0.590 | 14.99 | 0.515 | 13.08 | 2 | BLUE |
| 66226-037 | 5 | 0.400 | 10.16 | 0.690 | 17.53 | 0.615 | 15.62 | 2 | BLUE |
| 66226-038 | 6 | 0.500 | 12.70 | 0.790 | 20.07 | 0.715 | 18.16 | 2 | BLUE |
| 66226-039 | 7 | 0.600 | 15.24 | 0.890 | 22.61 | 0.815 | 20.70 | 2 | BLUE |
| 66226-040 | 8 | 0.700 | 17.78 | 0.990 | 25.15 | 0.915 | 23.24 | 2 | BLUE |
| 66226-041 | 9 | 0.800 | 20.32 | 1.090 | 27.69 | 1.015 | 25.78 | 2 | BLUE |
| 66226-042 | 10 | 0.900 | 22.86 | 1.190 | 30.23 | 1.115 | 28.32 | 2 | BLUE |
| 66226-043 | 11 | 1.000 | 25.40 | 1.290 | 32.77 | 1.215 | 30.86 | 2 | BLUE |
| 66226-044 | 12 | 1.100 | 27.94 | 1.390 | 35.31 | 1.315 | 33.40 | 2 | BLUE |
| 66226-045 | 13 | 1.200 | 30.48 | 1.490 | 37.85 | 1.415 | 35.94 | 2 | BLUE |
| 66226-046 | 14 | 1.300 | 33.02 | 1.590 | 40.39 | 1.515 | 38.48 | 2 | BLUE |
| 66226-047 | 15 | 1.400 | 35.56 | 1.690 | 42.93 | 1.615 | 41.02 | 2 | BLUE |
| 66226-048 | 16 | 1.500 | 38.10 | 1.790 | 45.47 | 1.715 | 43.56 | 2 | BLUE |
| 66226-049 | 17 | 1.600 | 40.64 | 1.890 | 48.01 | 1.815 | 46.10 | 2 | BLUE |
| 66226-050 | 18 | 1.700 | 43.18 | 1.990 | 50.55 | 1.915 | 48.64 | 2 | BLUE |
| 66226-051 | 19 | 1.800 | 45.72 | 2.090 | 53.09 | 2.015 | 51.18 | 2 | BLUE |
| 66226-052 | 20 | 1.900 | 48.26 | 2.190 | 55.63 | 2.115 | 53.72 | 2 | BLUE |
| 66226-053 | 21 | 2.000 | 50.80 | 2.290 | 58.17 | 2.215 | 56.26 | 2 | BLUE |
| 66226-054 | 22 | 2.100 | 53.34 | 2.390 | 60.71 | 2.315 | 58.80 | 2 | BLUE |
| 66226-055 | 23 | 2.200 | 55.88 | 2.490 | 63.25 | 2.415 | 61.34 | 2 | BLUE |
| 66226-056 | 24 | 2.300 | 58.42 | 2.590 | 65.79 | 2.515 | 63.88 | 2 | BLUE |
| 66226-057 | 25 | 2.400 | 60.96 | 2.690 | 68.33 | 2.615 | 66.42 | 2 | BLUE |
| 66226-058 | 26 | 2.500 | 63.50 | 2.790 | 70.87 | 2.715 | 68.96 | 2 | BLUE |
| 66226-059 | 27 | 2.600 | 66.04 | 2.890 | 73.41 | 2.815 | 71.50 | 2 | BLUE |
| 66226-060 | 28 | 2.700 | 68.58 | 2.990 | 75.95 | 2.915 | 74.04 | 2 | BLUE |
| 66226-061 | 29 | 2.800 | 71.12 | 3.090 | 78.49 | 3.015 | 76.58 | 2 | BLUE |
| 66226-062 | 30 | 2.900 | 73.66 | 3.190 | 81.03 | 3.115 | 79.12 | 2 | BLUE |
| 66226-063 | 31 | 3.000 | 76.20 | 3.290 | 83.57 | 3.215 | 81.66 | 2 | BLUE |
| 66226-064 | 32 | 3.100 | 78.74 | 3.390 | 86.11 | 3.315 | 84.20 | 2 | BLUE |

| | | | | | | |
|-------------|----------------|-----------------------|----------------------------------|---------------------------------------|---|-----------------------------------|
| mat'l. code | | surface ISO 1302 ✓ | tolerance ISO 406 ISO 1101 | projection | product family CLINCHER | |
| ltr | ecn | nodr | date | tolerances unless otherwise specified | | |
| X | | | | angles 0°±2' | linear XXX.01/0.XX0.3 XXX.005/0.XX0.13 XXX.002/0.XX0.051 | |
| | | | | | INCH/MM scale 2:1 | |
| | | | | dr P. PARSONS 9/13/93 | | |
| | | | | engr T. HANNA 9/13/93 | | dwg no 66226 sheet 3 of 4 size A3 |
| | | | | chr T. BREWBAKER 9/13/93 | | type Product Customer Drawing |
| | | | | appd T. HANNA 9/13/93 | | |
| sheet index | revision sheet | | | | | |

| PRODUCT NO. | NO. OF | DIM L | DIM L | DIM M | DIM M | DIM N | DIM N | PLATING | POSITION NO. CLOSED (SEE NOTE 7) | TERMINAL NO. ABSENT (SEE NOTE 7) | COLOR |
|-------------|----------|---------|--------|---------|--------|---------|--------|---------|----------------------------------|----------------------------------|-------|
| NOTE 8 | POSITION | ENGLISH | METRIC | ENGLISH | METRIC | ENGLISH | METRIC | CODE | | | |
| 66226-202 | 12 | 1.100 | 27.94 | 1.390 | 35.31 | 1.315 | 33.40 | 2 | 5 | 5 | BLUE |
| 66226-203 | 7 | 0.600 | 15.24 | 0.890 | 22.61 | 0.815 | 20.70 | 2 | 2 | 2 | BLUE |
| 66226-208 | 13 | 1.200 | 30.48 | 1.490 | 37.85 | 1.415 | 35.94 | 2 | N/A | 5 | BLUE |
| 66226-212 | 14 | 1.300 | 33.02 | 1.590 | 40.39 | 1.515 | 38.48 | 2 | N/A | 5,6,7,8,13 | BLUE |
| 66226-215 | 12 | 1.100 | 27.94 | 1.390 | 35.31 | 1.315 | 33.40 | 2 | N/A | 8 | BLUE |
| 66226-216 | 12 | 1.100 | 27.94 | 1.390 | 35.31 | 1.315 | 33.40 | 2 | N/A | 11 | BLUE |
| 66226-217 | 6 | 0.500 | 12.70 | 0.790 | 20.07 | 0.715 | 18.16 | 2 | N/A | 6 | BLUE |
| 66226-221 | 8 | 0.700 | 17.78 | 0.990 | 25.15 | 0.915 | 23.24 | 2 | N/A | 6 | BLUE |
| 66226-222 | 12 | 1.100 | 27.94 | 1.390 | 35.31 | 1.315 | 33.40 | 2 | N/A | 6 | BLUE |

NOTES :

- HOUSING MATERIAL : THERMOPLASTIC, FLAME RETARDANT PER UL94V-0. COLOR: SEE TABLE.
- TERMINAL MATERIAL : 1/2 HARD CU NI ALLOY, UNS-C72500.
- TERMINAL PLATING : SEE PART NO. TABULATION.
- SEE TA-372 FOR CRIMP HEIGHT.
- FOR CABLE AND CIRCUITRY INFO. SEE TA-264 & 371.
- LATCH SWINGS CLOSED AFTER TERMINATION MAINTAINING A MAX. OVER ALL HEIGHT OF .100/2.54.
- FIGURE SHOWS POSITION NO. 2 CLOSED. POSITION NUMBERS INITIATE FROM TRIANGULAR MARK END. SEE CHART FOR CLOSED AND EMPTY POSITION(S).
- ADD "LF" SUFFIX AT THE END OF PART NUMBER FOR LEAD FREE OPTION.
- THIS PRODUCT MEETS EUROPEAN UNION DIRECTIVES AND OTHER COUNTRY REGULATION AS DESCRIBED IN GS-22-008.
- THE PRODUCT IS NOT INTENDED TO BE EXPOSED TO A MANUFACTURING SOLDER PROCESS
- PLATING OPTIONS: MAY BE EITHER GOLD OR GXT PLATED AT MANUFACTURER'S OPTION.
- PRODUCT SPEC: BUS-12-061/062

PRODUCT NUMBER
66226-XXXLF

LEAD FREE OPTION
NOTE 8,9
NO OF POSITIONS
AND PLATING
BASE PART NUMBER

| NO. | TERMINAL PLATING |
|-----|--|
| 1 | 100u"/2.54u MIN. Sn (ALL OVER) |
| 2 | 30u"/0.76u MIN Au or GXT IN AREA 1 (SEE SECT. Y-Y SH. 1) NOTE 11 |

| | | | | | |
|-------------|--------------|---------------------------------------|--|-----------------------|----------------------------|
| mat'l. code | | surface ISO 1302 ✓ | tolerance ISO 406 ISO 1101 | projection INCH/MM | product family CLINCHER |
| l | tr | ec | n | o | r |
| date | | tolerances unless otherwise specified | | | title |
| X | | angles | linear | INCH/MM | CLINCHER™ PIN ASSEMBLY |
| | | 0°±2' | XXX.01/XXX.03 XXX.005/XXX.013 XXX.002/XXX.0051 | scale 2:1 | |
| dr | P. PARSONS | 9/13/93 | FCI | | dwg no |
| en | T. HANNA | 9/13/93 | | | sheet 4 of 4 |
| chr | T. BREWBAKER | 9/13/93 | | | 66226 |
| app | T. HANNA | 9/13/93 | | | size A3 |
| sheet index | | revision sheet | type Product Customer Drawing | | |



Компания «ЭлектроПласт» предлагает заключение долгосрочных отношений при поставках импортных электронных компонентов на взаимовыгодных условиях!

Наши преимущества:

- Оперативные поставки широкого спектра электронных компонентов отечественного и импортного производства напрямую от производителей и с крупнейших мировых складов;
- Поставка более 17-ти миллионов наименований электронных компонентов;
- Поставка сложных, дефицитных, либо снятых с производства позиций;
- Оперативные сроки поставки под заказ (от 5 рабочих дней);
- Экспресс доставка в любую точку России;
- Техническая поддержка проекта, помощь в подборе аналогов, поставка прототипов;
- Система менеджмента качества сертифицирована по Международному стандарту ISO 9001;
- Лицензия ФСБ на осуществление работ с использованием сведений, составляющих государственную тайну;
- Поставка специализированных компонентов (Xilinx, Altera, Analog Devices, Intersil, Interpoint, Microsemi, Aeroflex, Peregrine, Syfer, Eurofarad, Texas Instrument, Miteq, Cobham, E2V, MA-COM, Hittite, Mini-Circuits, General Dynamics и др.);

Помимо этого, одним из направлений компании «ЭлектроПласт» является направление «Источники питания». Мы предлагаем Вам помощь Конструкторского отдела:

- Подбор оптимального решения, техническое обоснование при выборе компонента;
- Подбор аналогов;
- Консультации по применению компонента;
- Поставка образцов и прототипов;
- Техническая поддержка проекта;
- Защита от снятия компонента с производства.



Как с нами связаться

Телефон: 8 (812) 309 58 32 (многоканальный)

Факс: 8 (812) 320-02-42

Электронная почта: org@eplast1.ru

Адрес: 198099, г. Санкт-Петербург, ул. Калинина, дом 2, корпус 4, литера А.