

PLEASE CHECK WWW.MOLEX.COM FOR LATEST PART INFORMATION

Part Number: [0850130062](#)
Status: **Active**
Overview: [din_41612](#)
Description: 2.54mm (.100") Pitch DIN 41612 Header, Vertical, C-Pin Press-Fit Style R/2 Reverse, 0.6µm (24µ") Selective Gold (Au), 32 Circuits, Lead free

Documents:

[3D Model](#) [Product Specification PS-85013-0002 \(PDF\)](#)
[Drawing \(PDF\)](#) [RoHS Certificate of Compliance \(PDF\)](#)

Agency Certification

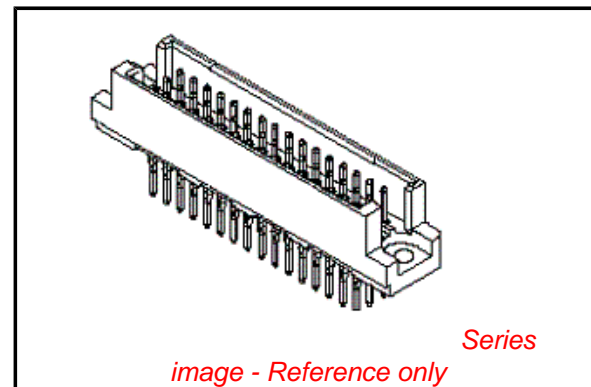
CSA LR19980
 UL E29179

General

Product Family Backplane Connectors
 Series [85013](#)
 Application Backplane
 Component Type PCB Header
 Overview [din_41612](#)
 Product Name IEC 603-2/DIN 41612
 Style R/2

Physical

Circuits (Loaded) 32
 Circuits (maximum) 48
 Circuits Detail Rows A & C
 Color - Resin Gray
 Durability (mating cycles max) 400
 First Mate / Last Break No
 Flammability 94V-0
 Guide to Mating Part No
 Keying to Mating Part Yes
 Material - Metal Phosphor Bronze
 Material - Plating Mating Gold
 Material - Plating Termination Tin
 Material - Resin Polyester
 Number of Columns 16
 Number of Pairs Open Pin Field
 Number of Rows 3
 Orientation Vertical
 PC Tail Length (in) 0.228 In
 PC Tail Length (mm) 5.80 mm
 PCB Locator No
 PCB Retention Yes
 PCB Thickness Recommended (in) 0.062 In
 PCB Thickness Recommended (mm) 1.60 mm
 Packaging Type Tray
 Pitch - Mating Interface (in) 0.100 In
 Pitch - Mating Interface (mm) 2.54 mm
 Pitch - Term. Interface (in) 0.100 In
 Pitch - Term. Interface (mm) 2.54 mm
 Plating min: Mating (µin) 24
 Plating min: Mating (µm) 0.6
 Plating min: Termination (µin) 16
 Plating min: Termination (µm) 0.4



EU RoHS

ELV and RoHS Compliant
REACH SVHC
 Not Reviewed
Halogen-Free Status
 Not Reviewed

China RoHS



Need more information on product environmental compliance?

Email productcompliance@molex.com
 For a multiple part number RoHS Certificate of Compliance, [click here](#)

Please visit the [Contact Us](#) section for any non-product compliance questions.

Search Parts in this Series

[85013Series](#)

Mates With

[85042](#) DIN 41612 Receptacle . [85052](#) DIN 41612 Header

Use With

[85089-1055](#) Press-in Tool

Surface Mount Compatible (SMC)	No
Temperature Range - Operating	-55°C to +125°C
Termination Interface: Style	Through Hole - Compliant Pin

Electrical

Current - Maximum per Contact	2.5A
Data Rate	622.0 Mbps
Voltage - Maximum	1000V (RMS)

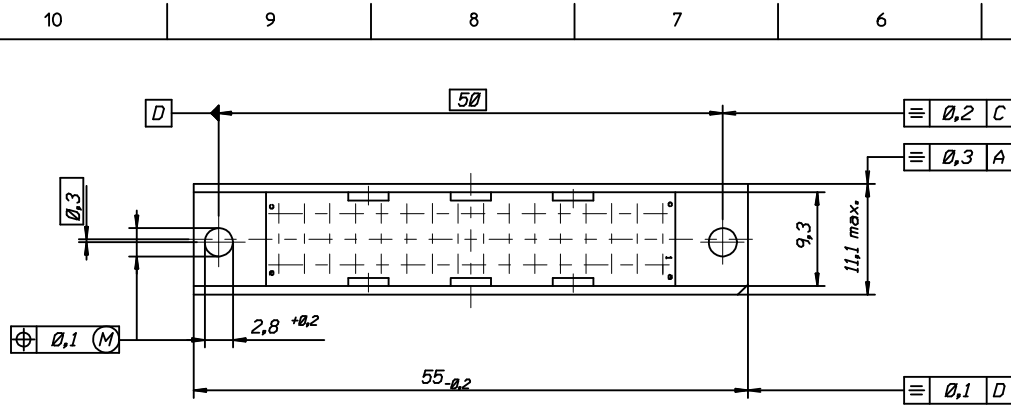
Material Info

Reference - Drawing Numbers

Packaging Specification	PK-85013-002
Product Specification	PS-85013-0002
Sales Drawing	609-6043-201, SDA-85013-0062

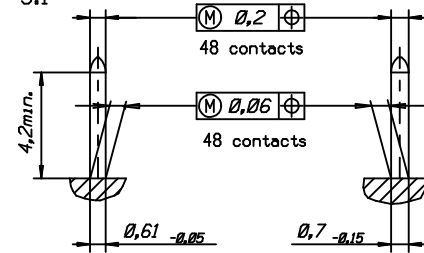
This document was generated on 05/17/2010

PLEASE CHECK WWW.MOLEX.COM FOR LATEST PART INFORMATION



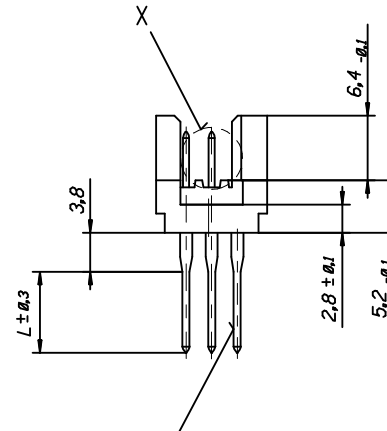
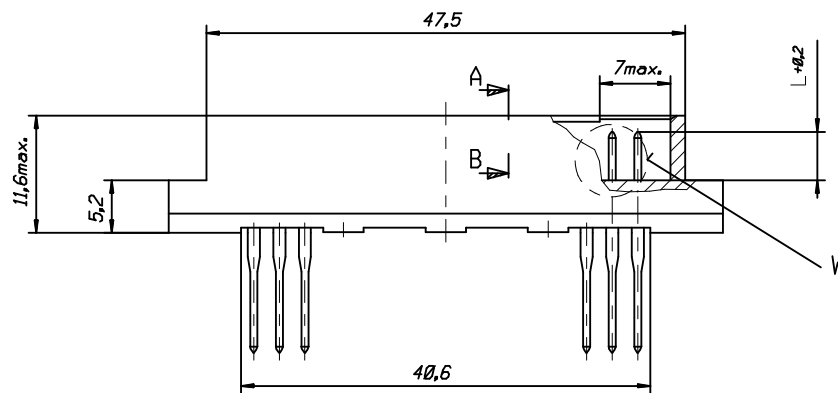
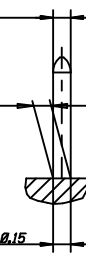
View X

5:1

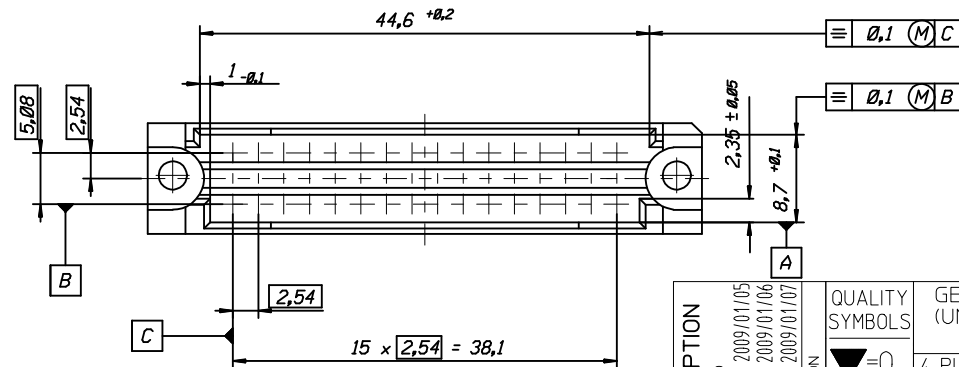
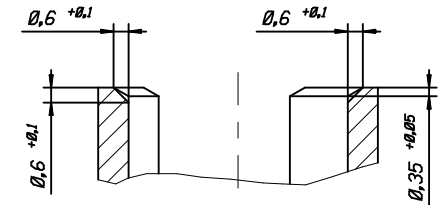


View W

5:1



Section A - B
5:1



ENTER DESCRIPTION	
EC NO: I2009-0276	2009/01/05
DRW: P.J.T	2009/01/06
CHK: K.PRASAD	2009/01/06
APP: K.PRASAD	2009/01/07
REV	DESCRIPTION

QUALITY SYMBOLS	▽ = 0
	∠ = 0

GENERAL TOLERANCES (UNLESS SPECIFIED)		
	mm	INCH
4 PLACES	± ---	± ---
3 PLACES	± ---	± ---
2 PLACES	± ---	± ---
1 PLACE	± ---	± ---
ANGULAR ± ---°		
DRAFT WHERE APPLICABLE MUST REMAIN WITHIN DIMENSIONS		

DIMENSION STYLE	
MM ONLY	
DRAWN BY	DATE
ER	1992/12/16
CHECKED BY	DATE
KN	1992/12/16
APPROVED BY	DATE
KN	1992/12/16
MATERIAL NO.	
SEE TABLE	
SIZE	A3

SCALE	2:1	DESIGN UNITS	METRIC	FIRST ANGLE PROJECTION
TITLE				
48POS.MALE CONNECTOR DIN 41612 STYLE (C-PIN) DIMENSIONS				
MATERIAL NO.			DOCUMENT NO.	
SEE TABLE			609-6043-201	
SHEET NO.				1 OF 4
THIS DRAWING CONTAINS INFORMATION THAT IS PROPRIETARY TO MOLEX INCORPORATED AND SHOULD NOT BE USED WITHOUT WRITTEN PERMISSION				

48P-6043-....-6	85013-....	Wire wrap 16, 4
48P-6043-071L-7	85013-2220	yes	1/1	Wire wrap 13, 3	1, 2, 3...16	a+b+c
48P-6043-051L-7	85013-2218	yes	1/1	Wire wrap 13, 3	1, 2, 3...16	a+c
48P-6043-071V-7	85013-2206	yes	1	Wire wrap 13, 3	1, 2, 3...16	a+b+c
48P-6043-051V-7	85013-2191	yes	1	Wire wrap 13, 3	1, 2, 3...16	a+c
48P-6043-071L-8	85013-2189	yes	1/1	Wire wrap 9, 4	1, 2, 3...16	a+b+c
48P-6043-051L-8	85013-2177	yes	1/1	Wire wrap 9, 4	1, 2, 3...16	a+c
48P-6043-071V-8	85013-2165	yes	1	Wire wrap 9, 4	1, 2, 3...16	a+b+c
48P-6043-051V-8	85013-2153	yes	1	Wire wrap 9, 4	1, 2, 3...16	a+c
48P-6043-072V-7	85013-1029	yes	2	Wire wrap 13, 3	1, 2, 3...16	a+b+c
48P-6043-0731-8	85013-0232	no	2	Wire wrap 9, 4	1, 2, 3...16	a+b+c
48P-6043-072V-8	85013-0086	yes	2	Wire wrap 9, 4	1, 2, 3...16	a+b+c
48P-6043-0522-9	85013-0294	no	1	----- 2	1, 2, 3...16	a+c
48P-6043-0722-9	85013-1500	no	1	----- 2	1, 2, 3...16	a+b+c
48P-6043-0731-9	85013-0658	no	2	----- 2	1, 2, 3...16	a+b+c
✓ 48P-6043-072V-9	85013-0098	yes	2	----- 2	1, 2, 3...16	a+b+c
✓ 48P-6043-052V-9	85013-0062	yes	2	----- 2	1, 2, 3...16	a+c
48P-6043-071V-9	85013-0385	yes	1	----- 2	1, 2, 3...16	a+b+c
48P-6043-051V-9	85013-1110	yes	1	----- 2	1, 2, 3...16	a+c
Engineering number	Ordering code	Molex std.	Perform.level hard gold acc.MIL-645204	Termination / L	Contact sequence / row	

ENTER DESCRIPTION EC NO: I2009-0276 DRW:NPJT 2009/01/05 CHKD:KPRASAD 2009/01/06 APPR:KPRASAD 2009/01/07 REV DESCRIPTION	QUALITY SYMBOLS	GENERAL TOLERANCES (UNLESS SPECIFIED)	DIMENSION STYLE	SCALE	DESIGN UNITS	FIRST ANGLE PROJECTION	
	▼=0 □=0	mm INCH	MM ONLY	---	METRIC		
		4 PLACES ± --- ± --- 3 PLACES ± --- ± --- 2 PLACES ± --- ± --- 1 PLACE ± --- ± ---	DRAWN BY DATE ER 1992/12/16	CHECKED BY DATE KN 1992/12/16	TITLE 48POS.MALE CONNECTOR DIN 41612 STYLE (C-PIN) DIMENSIONS		
		ANGULAR ± ---°	APPROVED BY DATE KN 1992/12/16	MATERIAL NO. DOCUMENT NO. SHEET NO. ENTER PART 609-6043-201 2 OF 00			
		DRAFT WHERE APPLICABLE MUST REMAIN WITHIN DIMENSIONS	THIS DRAWING CONTAINS INFORMATION THAT IS PROPRIETARY TO MOLEX INCORPORATED AND SHOULD NOT BE USED WITHOUT WRITTEN PERMISSION				

- 1. General : Technical Data
48pos. Male connector acc.DIN 41612 style R/2
(C-Pin)
- 2. Material :
- 2.1 Moulding material : Thermoplastic Polyester GV30 grey RAL 7032
- 2.1.1 Moulding material
burning properties acc. to UL94 V0
- 2.1.2 Resistance against
solvents : good
- 2.2 Pin contact : CuSn
- 2.2.1 Contact plating : Performance level I or II (Test acc.DIN 41612 part.5)
- 3. Printing : Part.No., date of manufacturing

Sheet	Dwg Issue	Date	Name	Change	Remark
1	Dimens. B	93/08/10	Ca	lead in chamfer changed	
2	Ord.code A1	93/08/10	Ca	add. div. Ordering code	
3	Data A	93/08/10	Ca	change of sheet no.	

ENTER DESCRIPTION EC NO: I2009-0276 DRW: P.JT 2009/01/05 CHK: K. PRASAD 2009/01/06 APPR: K. PRASAD 2009/01/07	QUALITY SYMBOLS ▽=0 ◻=0	GENERAL TOLERANCES (UNLESS SPECIFIED)		DIMENSION STYLE MM ONLY		SCALE N.T.S	DESIGN UNITS METRIC	FIRST ANGLE PROJECTION	
			mm	INCH	DRAWN BY ER	DATE 1992/12/16	TITLE 48POS.MALE CONNECTOR DIN 41612 STYLE (C-PIN) DIMENSIONS		
		4 PLACES	± ---	± ---	CHECKED BY KN	DATE 1992/12/16	MOLEX INCORPORATED		
		3 PLACES	± ---	± ---	APPROVED BY KN	DATE 1992/12/16	MATERIAL NO.	DOCUMENT NO.	SHEET NO.
2 PLACES	± ---	± ---	ANGULAR ± ---°		SEE TABLE		609-6043-201	3 OF 4	
1 PLACE	± ---	± ---	DRAFT WHERE APPLICABLE MUST REMAIN WITHIN DIMENSIONS		THIS DRAWING CONTAINS INFORMATION THAT IS PROPRIETARY TO MOLEX INCORPORATED AND SHOULD NOT BE USED WITHOUT WRITTEN PERMISSION				



Компания «ЭлектроПласт» предлагает заключение долгосрочных отношений при поставках импортных электронных компонентов на взаимовыгодных условиях!

Наши преимущества:

- Оперативные поставки широкого спектра электронных компонентов отечественного и импортного производства напрямую от производителей и с крупнейших мировых складов;
- Поставка более 17-ти миллионов наименований электронных компонентов;
- Поставка сложных, дефицитных, либо снятых с производства позиций;
- Оперативные сроки поставки под заказ (от 5 рабочих дней);
- Экспресс доставка в любую точку России;
- Техническая поддержка проекта, помощь в подборе аналогов, поставка прототипов;
- Система менеджмента качества сертифицирована по Международному стандарту ISO 9001;
- Лицензия ФСБ на осуществление работ с использованием сведений, составляющих государственную тайну;
- Поставка специализированных компонентов (Xilinx, Altera, Analog Devices, Intersil, Interpoint, Microsemi, Aeroflex, Peregrine, Syfer, Eurofarad, Texas Instrument, Miteq, Cobham, E2V, MA-COM, Hittite, Mini-Circuits, General Dynamics и др.);

Помимо этого, одним из направлений компании «ЭлектроПласт» является направление «Источники питания». Мы предлагаем Вам помощь Конструкторского отдела:

- Подбор оптимального решения, техническое обоснование при выборе компонента;
- Подбор аналогов;
- Консультации по применению компонента;
- Поставка образцов и прототипов;
- Техническая поддержка проекта;
- Защита от снятия компонента с производства.



Как с нами связаться

Телефон: 8 (812) 309 58 32 (многоканальный)

Факс: 8 (812) 320-02-42

Электронная почта: org@eplast1.ru

Адрес: 198099, г. Санкт-Петербург, ул. Калинина, дом 2, корпус 4, литера А.