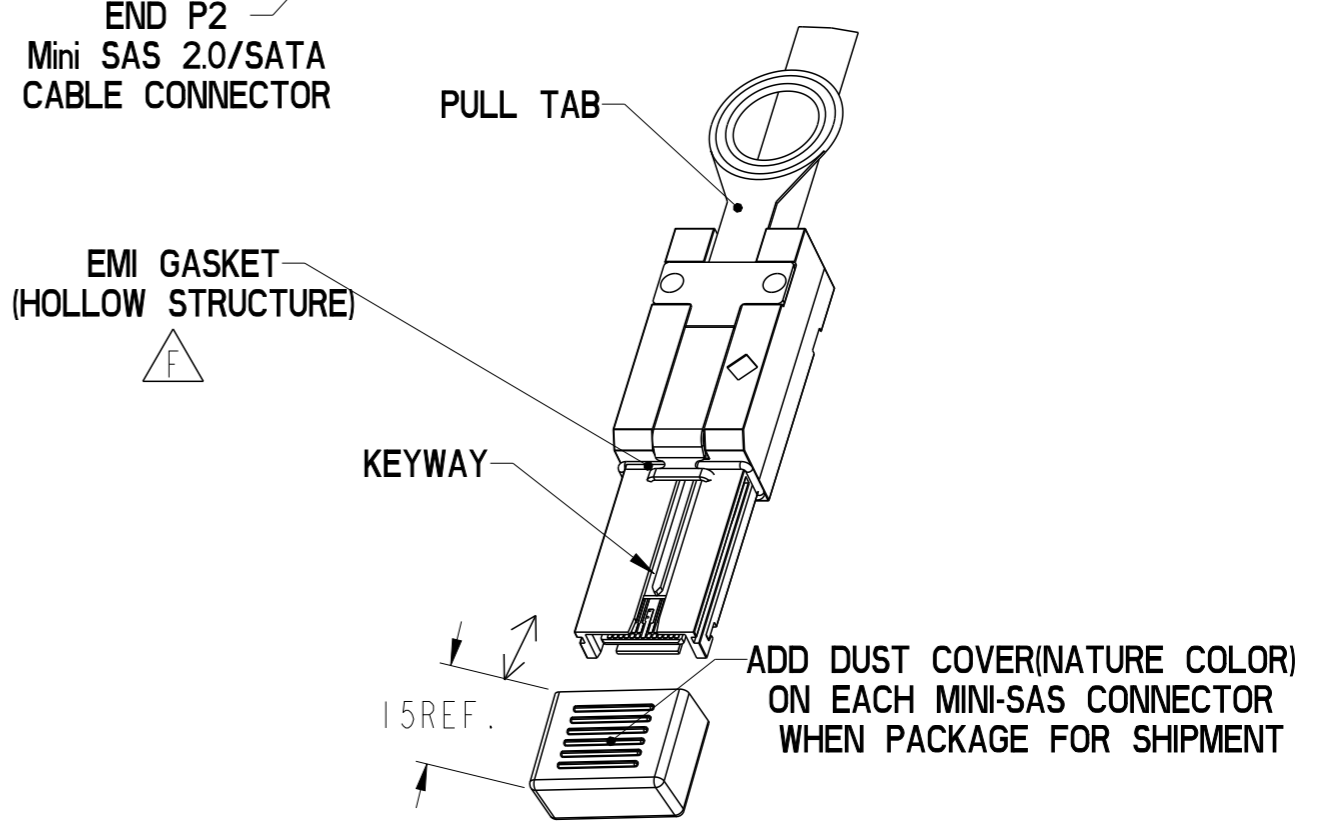


SEE DETAIL A



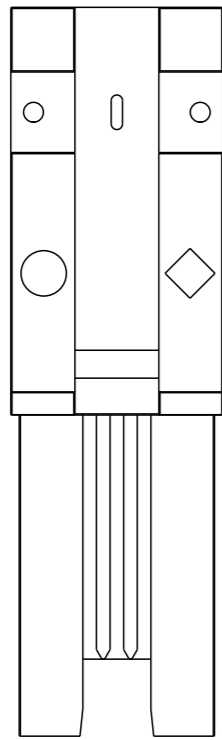
DETAIL A
 KEY SLOTS #2 & #4 SHOWN
 SCALE 2:1



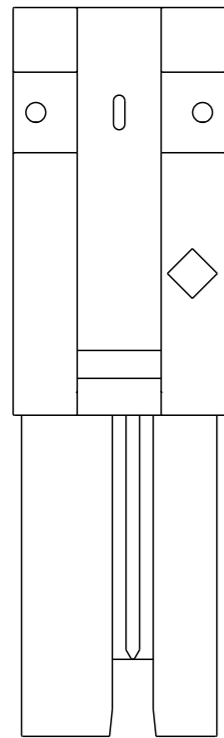
| | | | | | | | | | | |
|---------------|---------------------------------------|-------|----------------|-------------|---|---------------|------------------------|---------------|-----------|----------|
| spec ref | --- | dr | Deborah Ingram | 2010/09/01 | projection | MM | size | A3 | scale | 1:1 |
| tolerance std | --- | eng | Tom Feng | 2014/09/23 | | ← → | ecn no | ELX-N-18515-1 | rel level | Released |
| --- | TOLERANCES UNLESS OTHERWISE SPECIFIED | chr | - | --- | | | | | | |
| surface | ✓ | appr | Delhy Liu | 2014/09/24 | product family | C&A | dwg no | 10115796 | rev | G |
| --- | linear | 0.X | ±0.3 | | title FINAL ASSEMBLY - STANDARD Mini SAS 2.0/SATA | cat. no. - | Product - Customer Drw | sheet 1 of 6 | | |
| | | 0.XX | ±0.10 | | | | | | | |
| | | 0.XXX | ±0.050 | | | | | | | |
| | angular | 0° | ±2° | www.fci.com | | | | | | |

MINI SAS 2.0

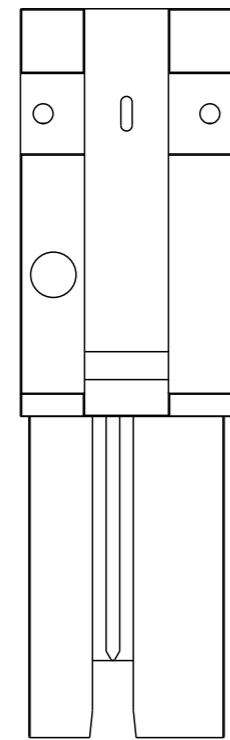
| PRODUCT NUMBER SEE NOTE 4 | HUAWEI PART NUMBER | DESCRIPTION | GAUGE | "DIM L" LENGTH | END P1 KEY SLOT | END P2 KEY SLOT | IDENTIFIER |
|------------------------------|-----------------------|-----------------------|--------|-------------------|--------------------|--------------------|------------------------------------|
| 10115796-M060002LF | / | X4 SAS CABLE ASSEMBLY | 24 AWG | 6M | 4, 6 | 4, 6 | SUBTRACTIVE ROUTING (IN PORT), SAS |
| 10115796-N040002LF | / | X4 SAS CABLE ASSEMBLY | 26 AWG | 4M | 4, 6 | 4, 6 | |
| 10115796-N050002LF | / | X4 SAS CABLE ASSEMBLY | 26 AWG | 5M | 4, 6 | 4, 6 | |
| 10115796-P010002LF | / | X4 SAS CABLE ASSEMBLY | 28 AWG | 1M | 4, 6 | 4, 6 | |
| 10115796-P020002LF | / | X4 SAS CABLE ASSEMBLY | 28 AWG | 2M | 4, 6 | 4, 6 | |
| 10115796-P030002LF | / | X4 SAS CABLE ASSEMBLY | 28 AWG | 3M | 4, 6 | 4, 6 | |
| 10115796-M060003LF | / | X4 SAS CABLE ASSEMBLY | 24 AWG | 6M | 2, 4, 6 | 2, 4, 6 | UNIVERSAL KEY, SAS |
| 10115796-N040003LF | / | X4 SAS CABLE ASSEMBLY | 26 AWG | 4M | 2, 4, 6 | 2, 4, 6 | |
| 10115796-N050003LF | / | X4 SAS CABLE ASSEMBLY | 26 AWG | 5M | 2, 4, 6 | 2, 4, 6 | |
| 10115796-P003803LF | / | X4 SAS CABLE ASSEMBLY | 28 AWG | 0.38M | 2, 4, 6 | 2, 4, 6 | |
| 10115796-P004003LF | / | X4 SAS CABLE ASSEMBLY | 28 AWG | 0.4M | 2, 4, 6 | 2, 4, 6 | |
| 10115796-P004603LF | / | X4 SAS CABLE ASSEMBLY | 28 AWG | 0.46M | 2, 4, 6 | 2, 4, 6 | |
| 10115796-P004803LF | / | X4 SAS CABLE ASSEMBLY | 28 AWG | 0.48M | 2, 4, 6 | 2, 4, 6 | |
| 10115796-P005003LF | / | X4 SAS CABLE ASSEMBLY | 28 AWG | 0.5M | 2, 4, 6 | 2, 4, 6 | |
| 10115796-P010003LF | 0405G002 | X4 SAS CABLE ASSEMBLY | 28 AWG | 1M | 2, 4, 6 | 2, 4, 6 | |
| 10115796-P015003LF | / | X4 SAS CABLE ASSEMBLY | 28 AWG | 1.5M | 2, 4, 6 | 2, 4, 6 | |
| 10115796-P020003LF | / | X4 SAS CABLE ASSEMBLY | 28 AWG | 2M | 2, 4, 6 | 2, 4, 6 | |
| 10115796-P025003LF | / | X4 SAS CABLE ASSEMBLY | 28 AWG | 2.5M | 2, 4, 6 | 2, 4, 6 | |
| 10115796-P030003LF | 0405G004 | X4 SAS CABLE ASSEMBLY | 28 AWG | 3M | 2, 4, 6 | 2, 4, 6 | |
| 10115796-M060006LF | / | X4 SAS CABLE ASSEMBLY | 24 AWG | 6M | 2, 4 | 4, 6 | |
| 10115796-N040006LF | / | X4 SAS CABLE ASSEMBLY | 26 AWG | 4M | 2, 4 | 4, 6 | |
| 10115796-N050006LF | / | X4 SAS CABLE ASSEMBLY | 26 AWG | 5M | 2, 4 | 4, 6 | |
| 10115796-P007106LF | / | X4 SAS CABLE ASSEMBLY | 28 AWG | 0.71M | 2, 4 | 4, 6 | |
| 10115796-P010006LF | / | X4 SAS CABLE ASSEMBLY | 28 AWG | 1M | 2, 4 | 4, 6 | |
| 10115796-P015006LF | / | X4 SAS CABLE ASSEMBLY | 28 AWG | 1.5M | 2, 4 | 4, 6 | |
| 10115796-P020006LF | / | X4 SAS CABLE ASSEMBLY | 28 AWG | 2M | 2, 4 | 4, 6 | |
| 10115796-P030006LF | / | X4 SAS CABLE ASSEMBLY | 28 AWG | 3M | 2, 4 | 4, 6 | |



KEY SLOT 2, 4 & 6
○◇ UNIVERSAL PORT



KEY SLOT 2 & 4
◇ OUT PORT



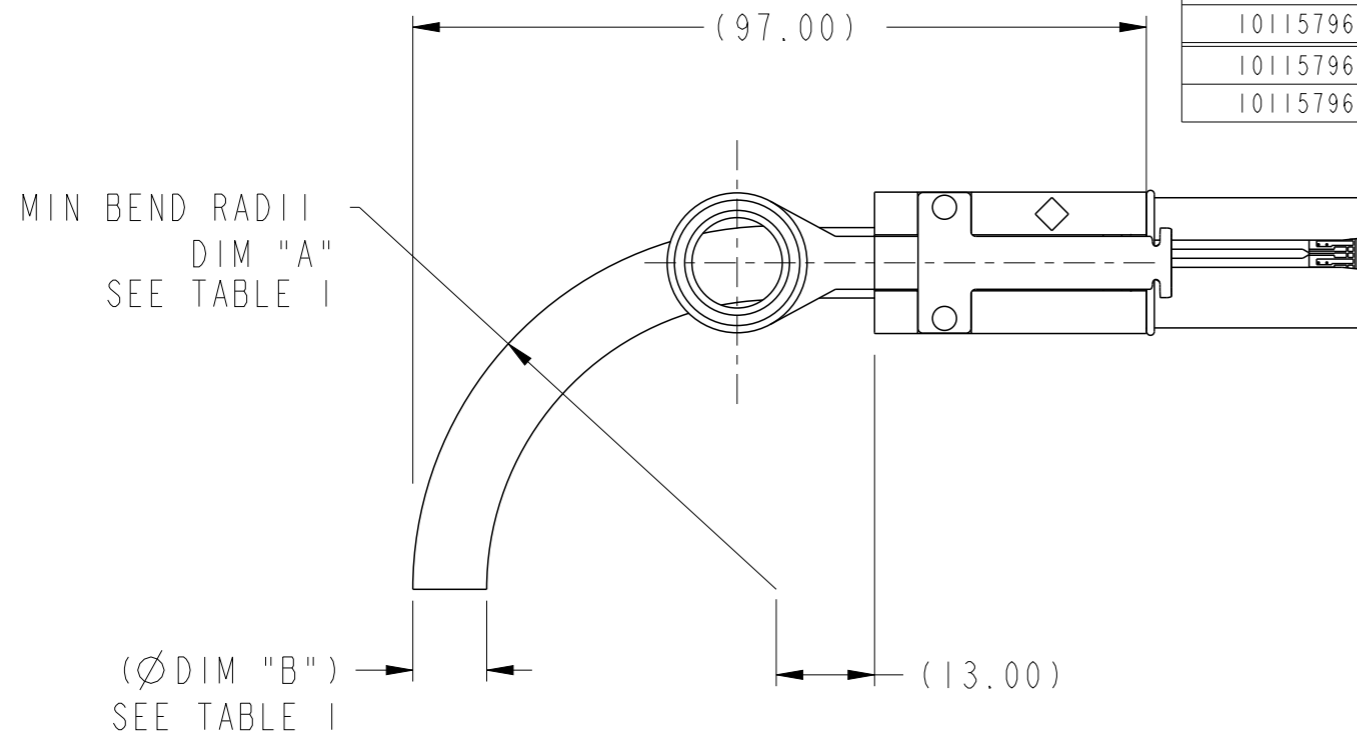
KEY SLOT 4 & 6
○ IN PORT

MINI SAS 2.0 KEYING OPTIONS

| | | | | | | | | | | |
|---------------|---------------------------------------|------------------------|----------------|---------------------------|----------------|-----|-----------|---------------|-----------|----------|
| spec ref | --- | dr | Deborah Ingram | 2010/09/01 | projection | MM | size | A3 | scale | 1:1 |
| tolerance std | --- | eng | Tom Feng | 2014/09/23 | | | ecn no | ELX-N-18515-1 | rel level | Released |
| --- | TOLERANCES UNLESS OTHERWISE SPECIFIED | chr | - | - | | | | | | |
| surface | ✓ | appr | Delhy Liu | 2014/09/24 | product family | C&A | rel level | Released | dwg no | 10115796 |
| linear | 0.X ±0.3 | | | FINAL ASSEMBLY - STANDARD | rev | G | | | | |
| | 0.XX ±0.10 | www.fci.com | | Mini SAS 2.0/SATA | cat. no. | - | | | | |
| | 0.XXX ±0.050 | Product - Customer Drw | | sheet 2 of 6 | | | | | | |
| angular | 0° ±2° | PDS: Rev :G | | STATUS:Released | | | | | | |
| --- | | Printed: Sep 24, 2014 | | | | | | | | |

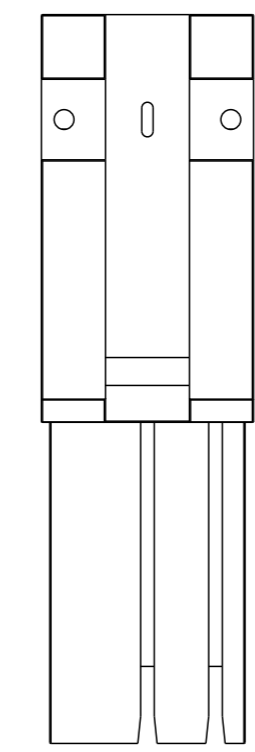
SATA

| PRODUCT NUMBER SEE NOTE 4 | DESCRIPTION | GAUGE | "DIM L" LENGTH | END P1 KEY SLOT | END P2 KEY SLOT | IDENTIFIER |
|------------------------------|------------------------|--------|-------------------|--------------------|--------------------|---------------|
| 10115796-M060004LF | X4 SATA CABLE ASSEMBLY | 24 AWG | 6M | 1,4 | 1,4 | X CABLE, SATA |
| 10115796-N020004LF | X4 SATA CABLE ASSEMBLY | 26 AWG | 2M | 1,4 | 1,4 | |
| 10115796-N040004LF | X4 SATA CABLE ASSEMBLY | 26 AWG | 4M | 1,4 | 1,4 | |
| 10115796-N050004LF | X4 SATA CABLE ASSEMBLY | 26 AWG | 5M | 1,4 | 1,4 | |
| 10115796-P010004LF | X4 SATA CABLE ASSEMBLY | 28 AWG | 1M | 1,4 | 1,4 | |
| 10115796-P030004LF | X4 SATA CABLE ASSEMBLY | 28 AWG | 3M | 1,4 | 1,4 | |
| 10115796-M060005LF | X4 SATA CABLE ASSEMBLY | 24 AWG | 6M | 7 | 7 | M CABLE, SATA |
| 10115796-N020005LF | X4 SATA CABLE ASSEMBLY | 26 AWG | 2M | 7 | 7 | |
| 10115796-N040005LF | X4 SATA CABLE ASSEMBLY | 26 AWG | 4M | 7 | 7 | |
| 10115796-N050005LF | X4 SATA CABLE ASSEMBLY | 26 AWG | 5M | 7 | 7 | |
| 10115796-P010005LF | X4 SATA CABLE ASSEMBLY | 28 AWG | 1M | 7 | 7 | |
| 10115796-P030005LF | X4 SATA CABLE ASSEMBLY | 28 AWG | 3M | 7 | 7 | |

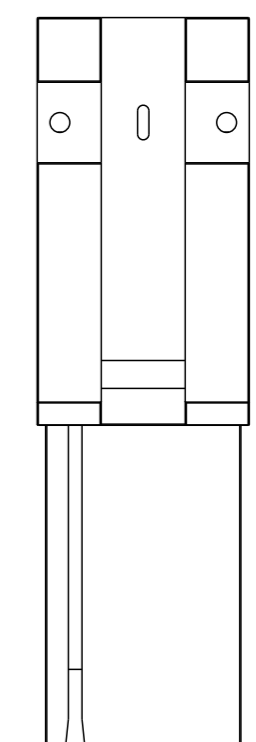


**BEND RADIUS
(24 AWG SHOWN)**

| CABLE | DIM "A" | DIM "B" |
|--------|---------|---------|
| 24 AWG | TBD | TBD |
| 26 AWG | TBD | TBD |
| 28 AWG | TBD | TBD |



KEY SLOT 1 & 4
X CABLE, SATA



KEY SLOT 7
M CABLE, SATA

SATA KEYING OPTIONS

| | | | | | | | | | | | |
|---------------|---------------------------------------|-------|----------------|------------|---|-------------|-----------|------------------------|--------------|----------|---|
| spec ref | --- | dr | Deborah Ingram | 2010/09/01 | projection | MM | size | A3 | scale | 1:1 | |
| tolerance std | --- | eng | Tom Feng | 2014/09/23 | | | ecn no | ELX-N-18515-1 | rel level | Released | |
| --- | TOLERANCES UNLESS OTHERWISE SPECIFIED | chr | - | - | | | | | | | |
| surface | ✓ | appr | Delhy Liu | 2014/09/24 | product family | C&A | rel level | Released | dwg no | 10115796 | |
| --- | linear | 0.X | ±0.3 | | FINAL ASSEMBLY - STANDARD Mini SAS 2.0/SATA | www.fci.com | cat. no. | Product - Customer Drw | sheet 3 of 6 | rev | G |
| | | 0.XX | ±0.10 | | | | | | | | |
| | | 0.XXX | ±0.050 | | | | | | | | |
| | angular | 0° | ±2° | | | | | | | | |



Copyright FCI.

1

2

3

4

A

B

C

D

A

B

C

D

WIRING LIST SEE NOTE 7



| | | | | | |
|----|-------|-----|---|-----|-------|
| P1 | GND | A1 | — | B1 | GND |
| | Rx 0+ | A2 | ← | B2 | Tx 0+ |
| | Rx 0- | A3 | ← | B3 | Tx 0- |
| | GND | A4 | — | B4 | GND |
| | Rx 1+ | A5 | ← | B5 | Tx 1+ |
| | Rx 1- | A6 | ← | B6 | Tx 1- |
| | GND | A7 | — | B7 | GND |
| | Rx 2+ | A8 | ← | B8 | Tx 2+ |
| | Rx 2- | A9 | ← | B9 | Tx 2- |
| | GND | A10 | — | B10 | GND |
| | Rx 3+ | A11 | ← | B11 | Tx 3+ |
| | Rx 3- | A12 | ← | B12 | Tx 3- |
| | GND | A13 | — | B13 | GND |
| P2 | GND | B1 | — | A1 | GND |
| | Tx 0+ | B2 | → | A2 | Rx 0+ |
| | Tx 0- | B3 | → | A3 | Rx 0- |
| | GND | B4 | — | A4 | GND |
| | Tx 1+ | B5 | → | A5 | Rx 1+ |
| | Tx 1- | B6 | → | A6 | Rx 1- |
| | GND | B7 | — | A7 | GND |
| | Tx 2+ | B8 | → | A8 | Rx 2+ |
| | Tx 2- | B9 | → | A9 | Rx 2- |
| | GND | B10 | — | A10 | GND |
| | Tx 3+ | B11 | → | A11 | Rx 3+ |
| | Tx 3- | B12 | → | A12 | Rx 3- |
| | GND | B13 | — | A13 | GND |



Copyright FCI.

| | | | | | | | | | | |
|---------------|---------------------------------------|-------------|----------------|---|------------------------|--------------|----------|---------------|-----------|----------|
| spec ref | --- | dr | Deborah Ingram | 2010/09/01 | projection | MM | size | A3 | scale | 4:1 |
| tolerance std | --- | eng | Tom Feng | 2014/09/23 | | | ecn no | ELX-N-18515-1 | rel level | Released |
| --- | TOLERANCES UNLESS OTHERWISE SPECIFIED | chr | - | - | | | | | | |
| surface | ✓ | appr | Delhly Liu | 2014/09/24 | product family | C&A | | | | |
| linear | 0.X ±0.3 | | | FINAL ASSEMBLY - STANDARD Mini SAS 2.0/SATA | | dwg no | 10115796 | | rev | G |
| | 0.XX ±0.10 | | | | | | | | | |
| | 0.XXX ±0.050 | | | | | | | | | |
| angular | 0° ±2° | www.fci.com | cat. no. | - | Product - Customer Drw | sheet 4 of 6 | | | | |

2

3

PDS: Rev :G

STATUS:Released

Printed: Sep 24, 2014

NOTES:

- 1 - MATERIAL:
 BACKSHELLS: ZINC DIECAST
 PULL TAB: MOLDED THERMOPLASTIC
 LATCH: STAINLESS STEEL
 JET MELT: POLYAMIDE POLYMER
- 2 - ELECTRICAL PERFORMANCE PER CURRENT REVISION OF SERIAL ATA, T10/I760-D (SAS-2 REQUIREMENTS).
- ③ - THIS PRODUCT MEETS THE RESTRICTION OF HAZARDOUS SUBSTANCES IN ELECTRICAL AND ELECTRONIC EQUIPMENT (ROHS) DIRECTIVE (2011/65/EU)

4 - PART NUMBER DESCRIPTION

10115796 - X XX XX XX LF

LEAD FREE (SEE NOTE 3 AND 10)

KEY SLOT

- 01: KEY SLOT 2,4
- 02: KEY SLOT 4,6
- 03: KEY SLOT 2,4,6
- 04: KEY SLOT 1,4
- 05: KEY SLOT 7
- 06: P1= KEY SLOT 2,4 P2= KEY SLOT 4,6

LENGTH

XX= METERS, XX=CENTIMETERS
 0100 = 01 METERS, 00 CENTIMETERS ("DIM L")

GAUGE

- M: 24 AWG
- N: 26 AWG
- P: 28 AWG

⑤ - UNLESS OTHERWISE SPECIFIED ASSEMBLED LENGTH TOLERANCE IS TO BE:

- < 1 METER = ±25.0mm
- >= 1 METER TO 6 METERS = ± 2% OF "DIM L"

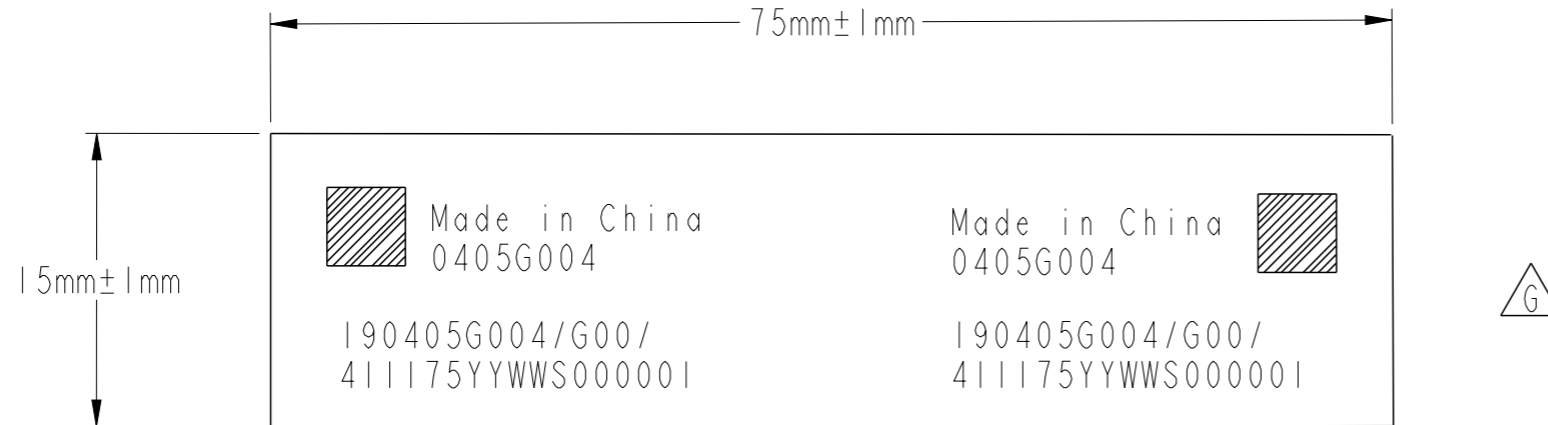


Copyright FCI.

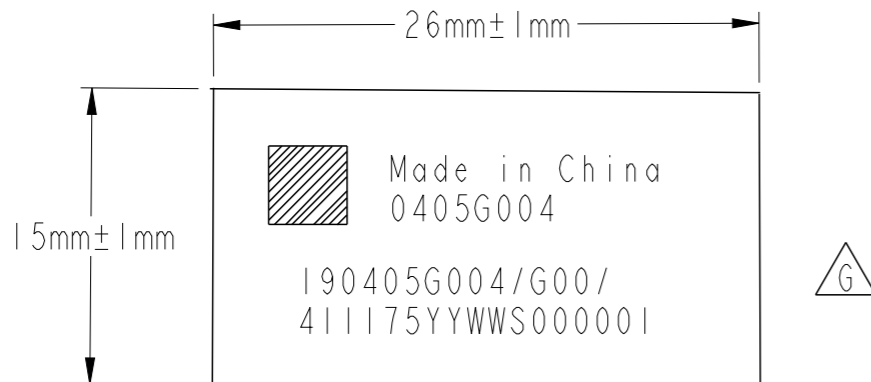
| | | | | | | | | | | | | | | | |
|---------------|---------------------------------------|----------|----------------|------------|------------|--------------|----------------|--|---------------|--------------------------|-------------|----------|---|------------------------|--------------|
| spec ref | --- | dr | Deborah Ingram | 2010/09/01 | projection | MM | size | A3 | scale | 1:1 | | | | | |
| tolerance std | --- | eng | Tom Feng | 2014/09/23 | | | ecn no | | ELX-N-18515-1 | | | | | | |
| --- | TOLERANCES UNLESS OTHERWISE SPECIFIED | chr | - | - | | | product family | | C&A | | rel level | Released | | | |
| surface | ✓ | appr | Delhy Liu | 2014/09/24 | | | | title FINAL ASSEMBLY - STANDARD Mini SAS 2.0/SATA | | dwg no 10115796 rev G | | | | | |
| --- | linear | 0.X ±0.3 | | 0.XX ±0.10 | | 0.XXX ±0.050 | | angular | | 0° ±2° | www.fci.com | cat. no. | - | Product - Customer Drw | sheet 5 of 6 |

NOTES CONTINUED:

- 6 - UNLESS OTHERWISE SPECIFIED LABEL POSITION IS TO BE 100mm FROM REAR OF CONNECTOR.
LABEL DETAILS:



- 7 - ALL CABLE ASSEMBLIES SHALL BE 100% TESTED FOR CONTINUITY AS DEFINED IN WIRING LIST.
- 8 - UNLESS OTHERWISE SPECIFIED ALL CABLE ASSEMBLIES SHALL BE 100% HI-POT TESTED BY APPLYING 300V DC FOR A MINIMUM OF 10ms, UNLESS ACTIVE COMPONENTS ARE USED IN THIS ASSEMBLY.
- 9 - OTHER TESTING PERFORMED AS REQUIRED BY PRODUCT SPECIFICATION: GS-12-548.
- 10 - PACKAGING OF LEAD FREE PRODUCTS MEETS LABELING AND PACKAGING PER SPECIFICATION GS-14-920. PACKAGE CABLE ASSEMBLIES PER GS-14-1272. ADD DUST COVER ON MINI-SAS CONNECTOR WHEN PACKAGE FOR SHIPMENT NEED STICK BELOW LABEL ON PE BAG.



11. THIS DIMENSION IS A FINISHED PRODUCT LENGTH.

| | | | | | | | | | | | |
|---------------|---------------------------------------|-------------|----------------|------------|------------|------------------------|--------------|----------------|-------|-----------|----------|
| spec ref | --- | dr | Deborah Ingram | 2010/09/01 | projection | MM | size | A3 | scale | 1:1 | |
| tolerance std | --- | eng | Tom Feng | 2014/09/23 | | | ecn no | ELX-N-18515-1 | | | |
| --- | TOLERANCES UNLESS OTHERWISE SPECIFIED | chr | - | - | | | | product family | C&A | rel level | Released |
| surface | ✓ | appr | Delhy Liu | 2014/09/24 | | | dwg no | 10115796 | | rev | G |
| --- | linear | www.fci.com | | cat. no. | - | Product - Customer Drw | sheet 6 of 6 | | | | |
| | angular | 0.X | ±0.3 | | | | | | | | |
| | | 0.XX | ±0.10 | | | | | | | | |
| | | 0.XXX | ±0.050 | | | | | | | | |
| | | 0° | ±2° | | | | | | | | |



Copyright FCI.



Компания «ЭлектроПласт» предлагает заключение долгосрочных отношений при поставках импортных электронных компонентов на взаимовыгодных условиях!

Наши преимущества:

- Оперативные поставки широкого спектра электронных компонентов отечественного и импортного производства напрямую от производителей и с крупнейших мировых складов;
- Поставка более 17-ти миллионов наименований электронных компонентов;
- Поставка сложных, дефицитных, либо снятых с производства позиций;
- Оперативные сроки поставки под заказ (от 5 рабочих дней);
- Экспресс доставка в любую точку России;
- Техническая поддержка проекта, помощь в подборе аналогов, поставка прототипов;
- Система менеджмента качества сертифицирована по Международному стандарту ISO 9001;
- Лицензия ФСБ на осуществление работ с использованием сведений, составляющих государственную тайну;
- Поставка специализированных компонентов (Xilinx, Altera, Analog Devices, Intersil, Interpoint, Microsemi, Aeroflex, Peregrine, Syfer, Eurofarad, Texas Instrument, Miteq, Cobham, E2V, MA-COM, Hittite, Mini-Circuits, General Dynamics и др.);

Помимо этого, одним из направлений компании «ЭлектроПласт» является направление «Источники питания». Мы предлагаем Вам помощь Конструкторского отдела:

- Подбор оптимального решения, техническое обоснование при выборе компонента;
- Подбор аналогов;
- Консультации по применению компонента;
- Поставка образцов и прототипов;
- Техническая поддержка проекта;
- Защита от снятия компонента с производства.



Как с нами связаться

Телефон: 8 (812) 309 58 32 (многоканальный)

Факс: 8 (812) 320-02-42

Электронная почта: org@eplast1.ru

Адрес: 198099, г. Санкт-Петербург, ул. Калинина, дом 2, корпус 4, литера А.