

MA4E2200 Series



Surface Mount Zero Bias Schottky Detector Diodes

M/A-COM Products
Rev. V6

Features

- Designed for High Volume, Low Cost Detector Applications
- Available in Single, Series Pair and Unconnected Pair Configurations
- Small Profile Surface Mount Packages
- Tape and Reel Deliverable
- Lead Free (RoHS Compliant) Equivalents Available With 260 Deg. C Reflow Capability

Description and Applications

The MA4E2200 series are Silicon zero bias P-type detector diodes assembled in low cost surface mount plastic packages. They are designed for usage in a wide variety of detector applications.

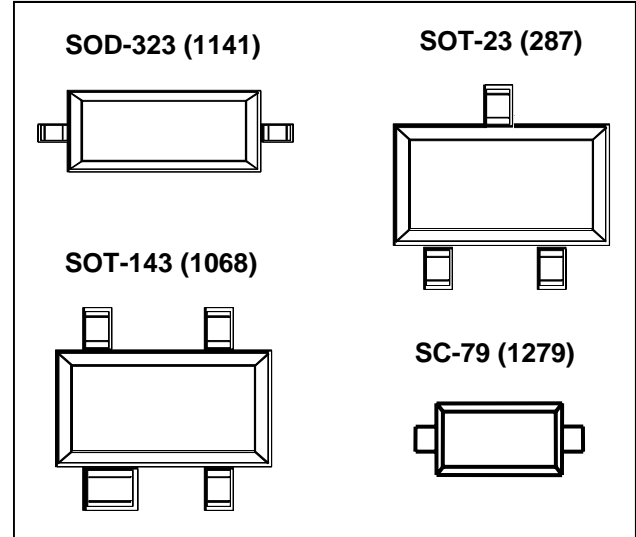
The MA4E2200 series of zero bias detector diodes are available in the SOT-23 (case style 287) in series pair configurations, SOD-323 (case style 1141), SC-79 (1279) in a single configuration, and the SOT-143 (case style 1068) in a reverse unconnected pair configuration.

The part number consists of the base number MA4E2200, followed by the wiring configuration (A, B, D, E), the package style (287, 1068, 1141) and a "T" for tape and reel. The SC-79 part number is MADS-002200-12790T.

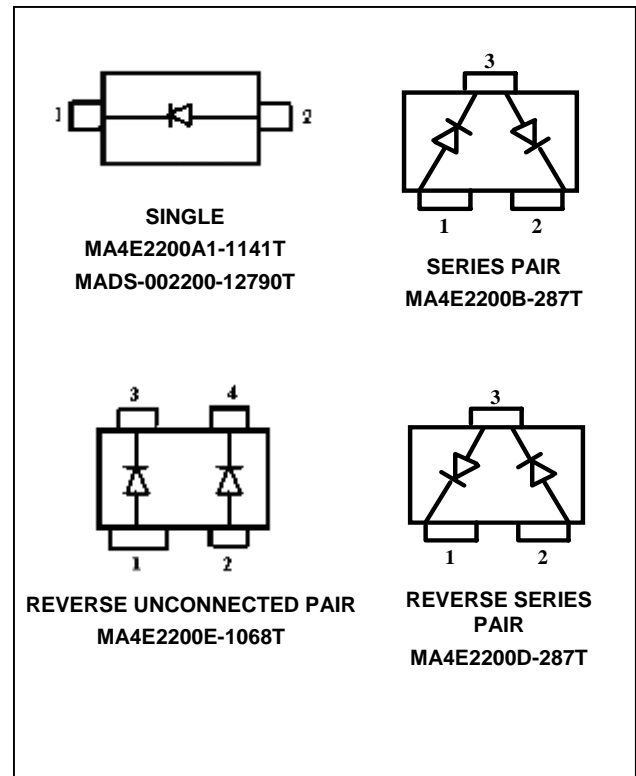
These parts are offered with Sn/Pb plating, as well as with 100 % matte Sn plating on the RoHs compliant part numbers.

The small diode package size and moderate parasitics make these parts attractive for Low Leakage Limiters and RF Temperature Compensated Envelope Detectors for RF ID Tags Applications up to 4 GHz.

Package Outlines (Topviews)



Configurations (Topviews)



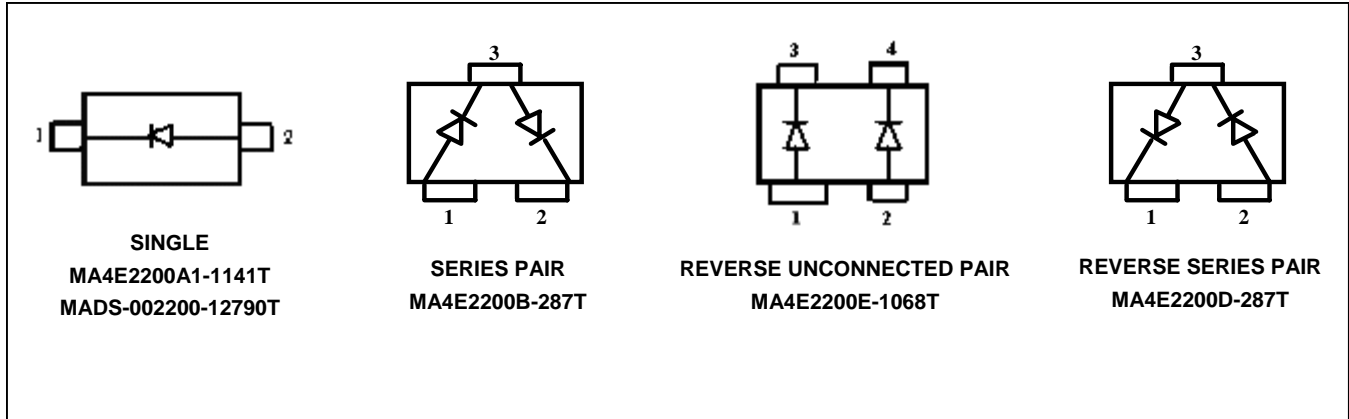
MA4E2200 Series



Surface Mount Zero Bias Schottky Detector Diodes

M/A-COM Products
Rev. V6

Configurations (Top View)



Standard Part Numbers and RoHS Equivalents

| Standard Part Number | RoHS Compliant Part Number | Package Style |
|----------------------|----------------------------|---------------|
| N/A | MA4E2200A1-1141T | SOD-323 |
| MA4E2200B-287T | MA4E2200B1-287T | SOT-23 |
| MA4E2200D-287T | MA4E2200D1-287T | SOT-23 |
| MA4E2200E-1068T | MA4E2200E1-1068T | SOT-143 |
| N/A | MADS-002200-12790T | SC-79 |

MA4E2200 Series



Surface Mount Zero Bias Schottky Detector Diodes

M/A-COM Products
Rev. V6

Maximum Ratings @ +25 °C (Unless Otherwise Defined) ^{1,2}

| Parameter | Unit | Maximum Ratings |
|---|------|-----------------|
| Operating Temperature | °C | -65 to +125 |
| Storage Temperature | °C | -65 to +150 |
| Junction Temperature | °C | +175 |
| RF Incident Power (CW) | mW | 75 |
| Reverse Voltage @ 25 °C | V | 1.5 V |
| Electrostatic Discharge (ESD) Classification ³ | - | Class 0 |

1. Operation above any one of the above parameters may cause permanent damage.
2. Please refer to Application Note M538 for Surface Mounting Instructions
3. Human Body Model

Electrical Specifications @ +25 °C

| Parameter | Condition | Symbol | Specification |
|---------------------------|------------------------|--------------|-----------------------|
| Reverse Voltage Breakdown | $I_R = 100 \mu A$ | V_b | 1.5 V min. |
| Forward Voltage | $I_F = 0.1 \text{ mA}$ | V_F | 60 – 120 mV max. |
| Forward Voltage | $I_F = 1 \text{ mA}$ | V_F | 150 - 220 mV max. |
| Total Capacitance | $V_R = 0.15 \text{ V}$ | ΔC_T | .25 pF typical |
| Delta Forward Voltage | $I_F = 1 \text{ mA}$ | V_F | 10 mV max. |
| Video Resistance | | R_V | 7000 Ω typical |

3

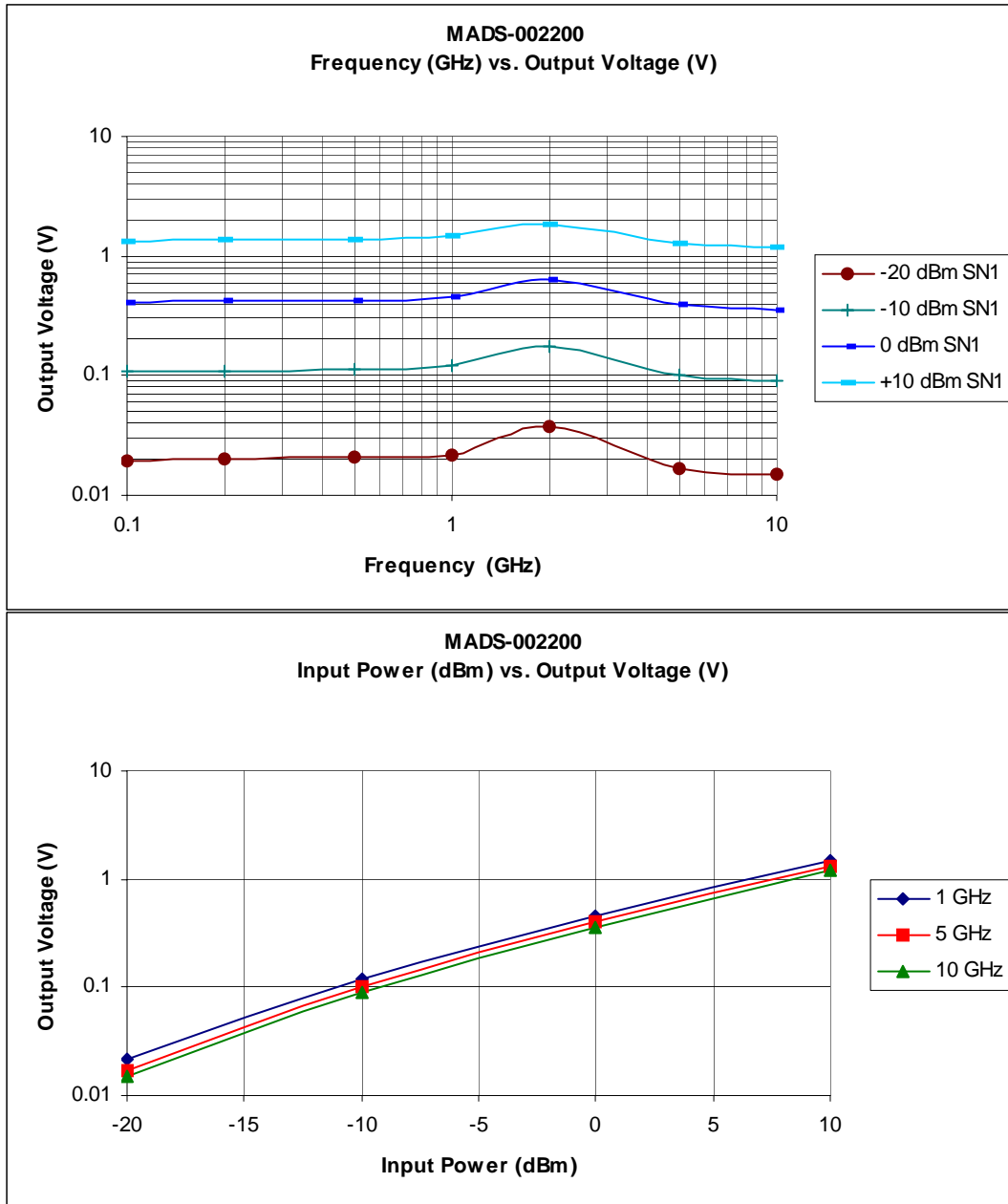
ADVANCED: Data Sheets contain information regarding a product M/A-COM Technology Solutions is considering for development. Performance is based on target specifications, simulated results, and/or prototype measurements. Commitment to develop is not guaranteed.

PRELIMINARY: Data Sheets contain information regarding a product M/A-COM Technology Solutions has under development. Performance is based on engineering tests. Specifications are typical. Mechanical outline has been fixed. Engineering samples and/or test data may be available. Commitment to produce in volume is not guaranteed.

• **North America** Tel: 800.366.2266 • **Europe** Tel: +353.21.244.6400
 • **India** Tel: +91.80.4155721 • **China** Tel: +86.21.2407.1588
 Visit www.macomtech.com for additional data sheets and product information.

M/A-COM Technology Solutions Inc. and its affiliates reserve the right to make changes to the product(s) or information contained herein without notice.

Applications Section



The MADS-002200 in an SC-79 Package Style was evaluated in a detector circuit in which the Schottky diode terminates a 50 Ohm transmission line on a duroid substrate. The SC-79 packaged diode was attached to the terminal of a 3.5mm connector and the output voltage was measured through a bias tee on a voltmeter. Matching was not attempted.

The voltage peak at 2 GHz is due to a resonance of the SC-79 package inductance with the diode junction capacitance. This condition results in higher RF voltage across the diode junction.

4

ADVANCED: Data Sheets contain information regarding a product M/A-COM Technology Solutions is considering for development. Performance is based on target specifications, simulated results, and/or prototype measurements. Commitment to develop is not guaranteed.

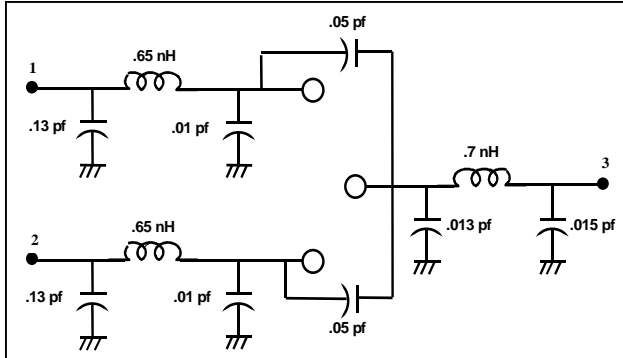
PRELIMINARY: Data Sheets contain information regarding a product M/A-COM Technology Solutions has under development. Performance is based on engineering tests. Specifications are typical. Mechanical outline has been fixed. Engineering samples and/or test data may be available. Commitment to produce in volume is not guaranteed.

• **North America** Tel: 800.366.2266 • **Europe** Tel: +353.21.244.6400
 • **India** Tel: +91.80.4155721 • **China** Tel: +86.21.2407.1588
 Visit www.macomtech.com for additional data sheets and product information.

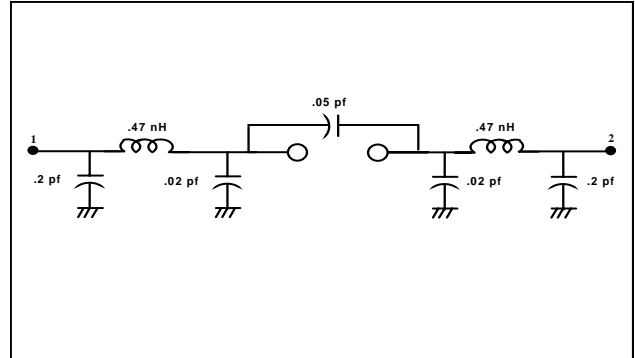
M/A-COM Technology Solutions Inc. and its affiliates reserve the right to make changes to the product(s) or information contained herein without notice.

Equivalent Circuit Parasitics

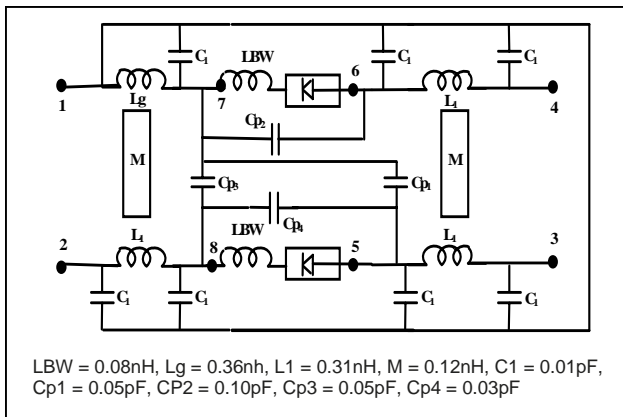
SOT-23



SOD-323

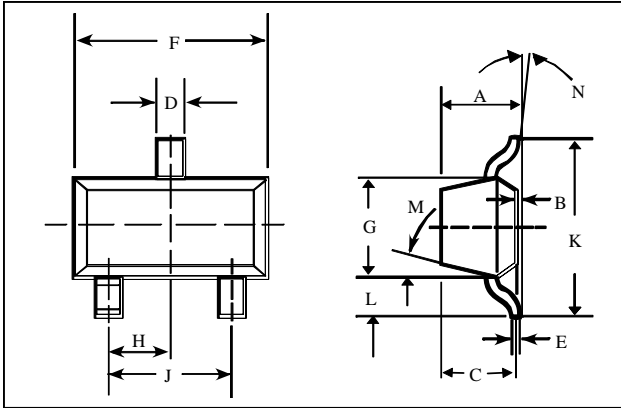


SOT-143



Case Styles

SOT-23

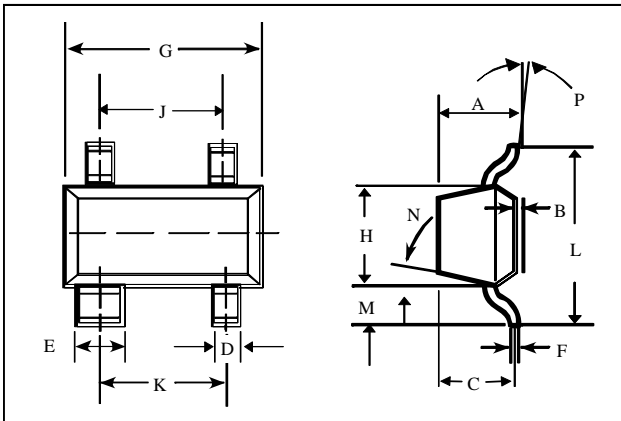


SOT-23 (Case Style 287)

| DIM. | INCHES | | MILLIMETERS | |
|------|-----------------------|-------|--------------|------|
| | MIN. | MAX. | MIN. | MAX. |
| A | - | 0.048 | - | 1.22 |
| B | - | 0.008 | - | 0.20 |
| C | - | 0.040 | - | 1.00 |
| D | 0.013 | 0.020 | 0.35 | 0.50 |
| E | 0.003 | 0.006 | 0.08 | 0.15 |
| F | 0.110 | 0.119 | 2.80 | 3.00 |
| G | 0.047 | 0.056 | 1.20 | 1.40 |
| H | 0.037 typical | | 0.95 typical | |
| J | 0.075 typical | | 1.90 typical | |
| K | - | 0.103 | - | 2.60 |
| L | - | 0.024 | - | 0.60 |
| DIM. | GRADIENT | | | |
| M | 10° max. ³ | | | |
| N | 2° ... 30° | | | |

3. Applicable on all sides

SOT-143



SOT-143 (Case Style 1068)

| DIM. | INCHES | | MILLIMETERS | |
|------|-----------------------|-------|--------------|------|
| | MIN. | MAX. | MIN. | MAX. |
| A | - | 0.044 | - | 1.10 |
| B | - | 0.004 | - | 0.10 |
| C | - | 0.040 | - | 1.00 |
| D | 0.013 | 0.020 | 0.35 | 0.50 |
| E | 0.030 | 0.035 | 0.75 | 0.90 |
| F | 0.003 | 0.006 | 0.08 | 0.15 |
| G | 0.110 | 0.119 | 2.80 | 3.00 |
| H | 0.047 | 0.056 | 1.20 | 1.40 |
| J | 0.075 typical | | 1.90 typical | |
| K | 0.075 typical | | 1.90 typical | |
| L | - | 0.103 | - | 2.6 |
| M | - | 0.024 | - | 0.6 |
| DIM. | GRADIENT | | | |
| N | 10° max. ⁴ | | | |
| P | 2° ... 30° | | | |

4. Applicable on all sides

MA4E2200 Series

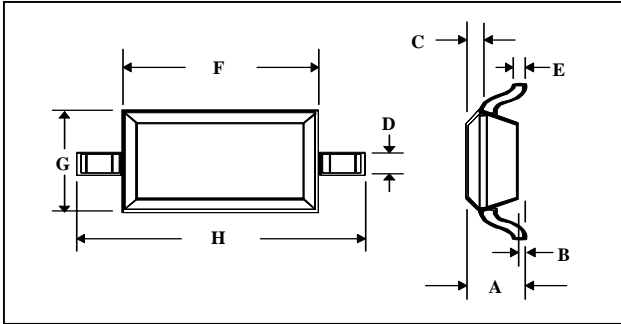


Surface Mount Zero Bias Schottky Detector Diodes

M/A-COM Products
Rev. V6

Case Styles (Cont'd)

SOD-323

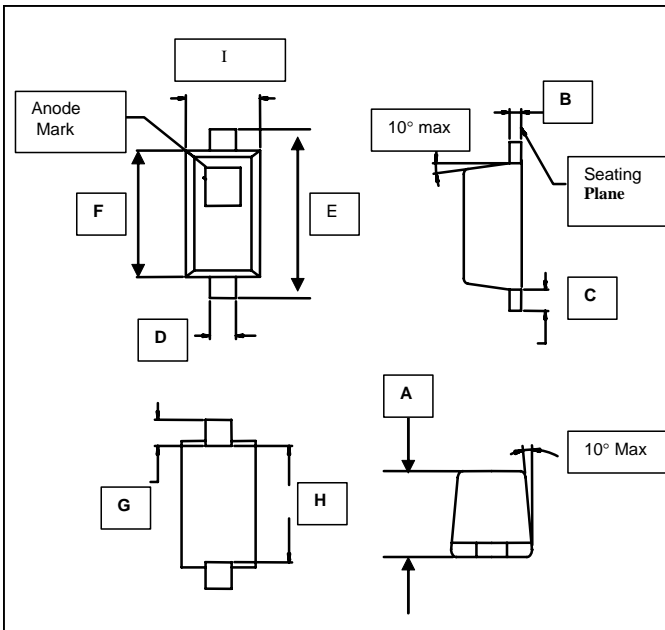


SOD-323 (Case Style 1141)

| DIM. | INCHES | | MILLIMETERS | |
|------|--------|-------|-------------|------|
| | MIN. | MAX. | MIN. | MAX. |
| A | – | 0.043 | – | 1.1 |
| B | – | 0.004 | – | 0.1 |
| C | – | 0.008 | – | 0.2 |
| D | 0.010 | 0.016 | 0.25 | 0.4 |
| E | 0.003 | 0.006 | 0.08 | 0.15 |
| F | 0.063 | 0.075 | 1.6 | 1.9 |
| G | 0.045 | 0.057 | 1.15 | 1.45 |
| H | 0.091 | 0.106 | 2.3 | 2.7 |

SC-79

Top View



SC-79 (Case Style 1279)

| DIM. | INCHES | | MILLIMETERS | |
|------|--------|-------|-------------|------|
| | MIN. | MAX. | MIN. | MAX. |
| A | 0.020 | 0.028 | 0.50 | 0.71 |
| B | 0.003 | 0.008 | 0.08 | 0.20 |
| C | 0.006 | 0.010 | 0.15 | 0.25 |
| D | 0.010 | 0.014 | 0.25 | 0.36 |
| E | 0.059 | 0.067 | 0.08 | 0.15 |
| F | 0.043 | 0.051 | 1.10 | 1.30 |
| G | 0.011 | 0.012 | 0.28 | 0.30 |
| H | 0.037 | 0.043 | 0.94 | 1.09 |
| I | 0.027 | 0.035 | 0.68 | 0.96 |

ADVANCED: Data Sheets contain information regarding a product M/A-COM Technology Solutions is considering for development. Performance is based on target specifications, simulated results, and/or prototype measurements. Commitment to develop is not guaranteed.

PRELIMINARY: Data Sheets contain information regarding a product M/A-COM Technology Solutions has under development. Performance is based on engineering tests. Specifications are typical. Mechanical outline has been fixed. Engineering samples and/or test data may be available. Commitment to produce in volume is not guaranteed.

• **North America** Tel: 800.366.2266 • **Europe** Tel: +353.21.244.6400
• **India** Tel: +91.80.4155721 • **China** Tel: +86.21.2407.1588

Visit www.macomtech.com for additional data sheets and product information.

M/A-COM Technology Solutions Inc. and its affiliates reserve the right to make changes to the product(s) or information contained herein without notice.



Компания «ЭлектроПласт» предлагает заключение долгосрочных отношений при поставках импортных электронных компонентов на взаимовыгодных условиях!

Наши преимущества:

- Оперативные поставки широкого спектра электронных компонентов отечественного и импортного производства напрямую от производителей и с крупнейших мировых складов;
- Поставка более 17-ти миллионов наименований электронных компонентов;
- Поставка сложных, дефицитных, либо снятых с производства позиций;
- Оперативные сроки поставки под заказ (от 5 рабочих дней);
- Экспресс доставка в любую точку России;
- Техническая поддержка проекта, помощь в подборе аналогов, поставка прототипов;
- Система менеджмента качества сертифицирована по Международному стандарту ISO 9001;
- Лицензия ФСБ на осуществление работ с использованием сведений, составляющих государственную тайну;
- Поставка специализированных компонентов (Xilinx, Altera, Analog Devices, Intersil, Interpoint, Microsemi, Aeroflex, Peregrine, Syfer, Eurofarad, Texas Instrument, Miteq, Cobham, E2V, MA-COM, Hittite, Mini-Circuits, General Dynamics и др.);

Помимо этого, одним из направлений компании «ЭлектроПласт» является направление «Источники питания». Мы предлагаем Вам помощь Конструкторского отдела:

- Подбор оптимального решения, техническое обоснование при выборе компонента;
- Подбор аналогов;
- Консультации по применению компонента;
- Поставка образцов и прототипов;
- Техническая поддержка проекта;
- Защита от снятия компонента с производства.



Как с нами связаться

Телефон: 8 (812) 309 58 32 (многоканальный)

Факс: 8 (812) 320-02-42

Электронная почта: org@eplast1.ru

Адрес: 198099, г. Санкт-Петербург, ул. Калинина, дом 2, корпус 4, литера А.