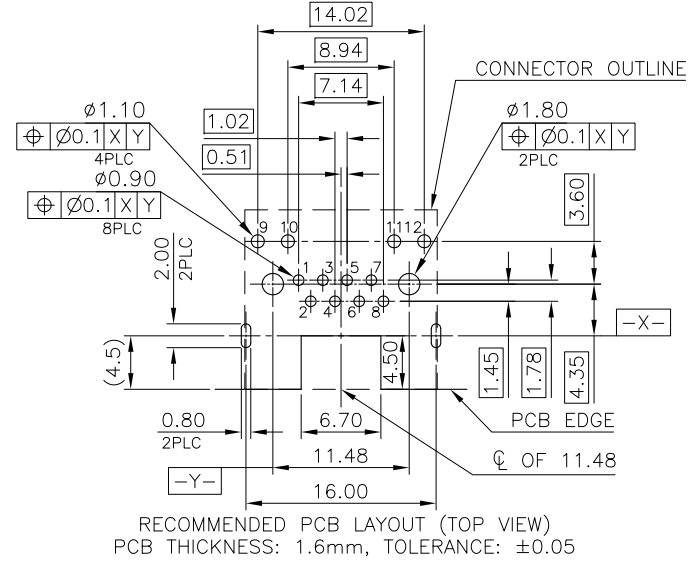
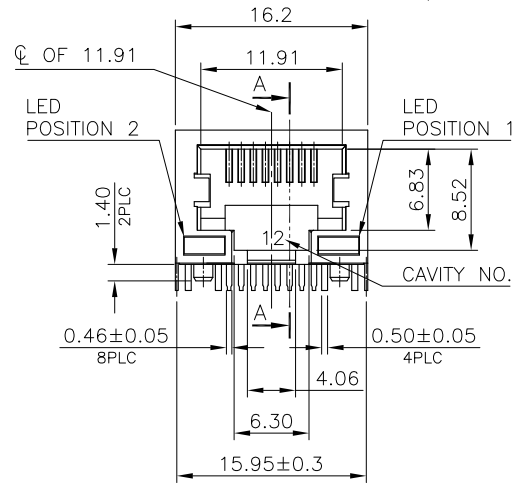
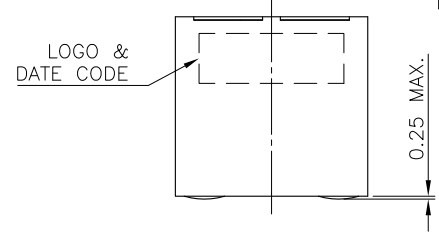
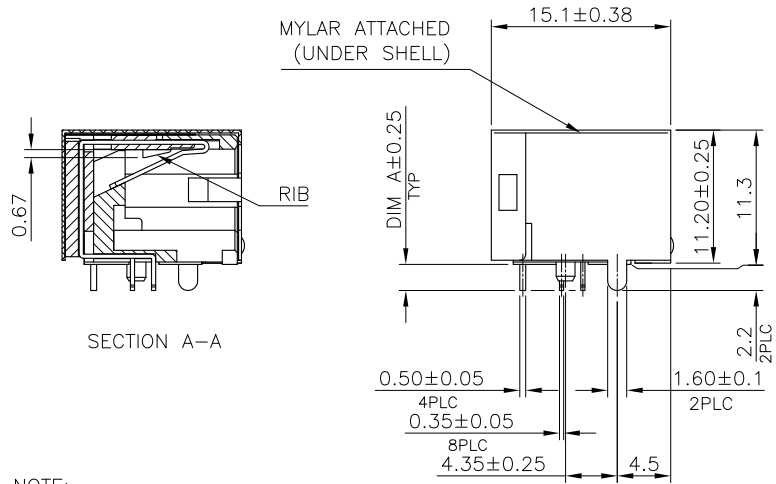
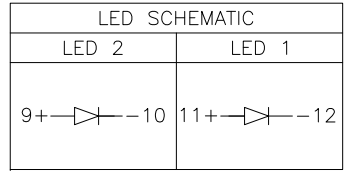
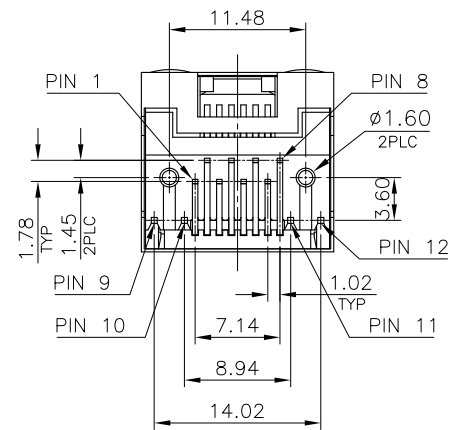


THIS DRAWING IS UNPUBLISHED.
 RELEASED FOR PUBLICATION
 © COPYRIGHT 2010 BY TYCO ELECTRONICS CORPORATION. ALL RIGHTS RESERVED.

LOC		DIST		REVISIONS					
DW				P	LTR	DESCRIPTION	DATE	DWN	APVD
				A5		REVISED (ECR-12-012115) OBSOLETE 1734324-6, 3-134324-4	26OCT'12	E.L.	W.K.



- NOTE:
- MATERIAL:
 - HOUSING: PA46, WITH 30% GF, UL94 V-0, BLACK COLOR.
 - INSERT HOUSING: PA46, WITH 30% GF, UL94 V-0, BLACK COLOR.
 - CONTACTS: PHOSPHOR BRONZE.
 - SHELL: BRASS.
 - LED SOLDER TAIL: STEEL.
 - MYLAR: SILICONE POLYMER.
 - FINISH:
 - CONTACTS: (SEE TABLE) GOLD PLATED ON CONTACT AREA. GOLD FLASH ON SOLDER TAIL. 1.27um [50u"] MIN. NICKEL UNDERPLATED OVERALL.
 - SHELL: 0.508um [20u"] MIN. NICKEL PLATED.
 - LED: 1.02um [40u"] COPPER UNDERPLATED OVERALL. 1.27um [50u"] NICKEL OVERALL. 1.27um [50u"] SILVER ON BONDING AREA. 2.54um [100u"] BRIGHT-TIN ON SOLDER AREA.
 - LED MUST BE REFLOW COMPATIBLE TO FOLLOWING TEMPERATURE PROFILE (FOR 1 CYCLE): ABOVE 160°C FOR 120 SECONDS, PEAKING AT 220°C FOR 10 SECONDS.
 - LED DEFECT RATE IS 6000 PPM MAX. AFTER IR REFLOW PROCESS AS NOTE 3.
 - WAVE SOLDER CAPABLE TO 265°C PER TE SPEC 109-202, CONDITION B.
 - OBsolete PARTS: OBsolete CIS STREAMLINING PER D.RENAUD/D.SINISI.



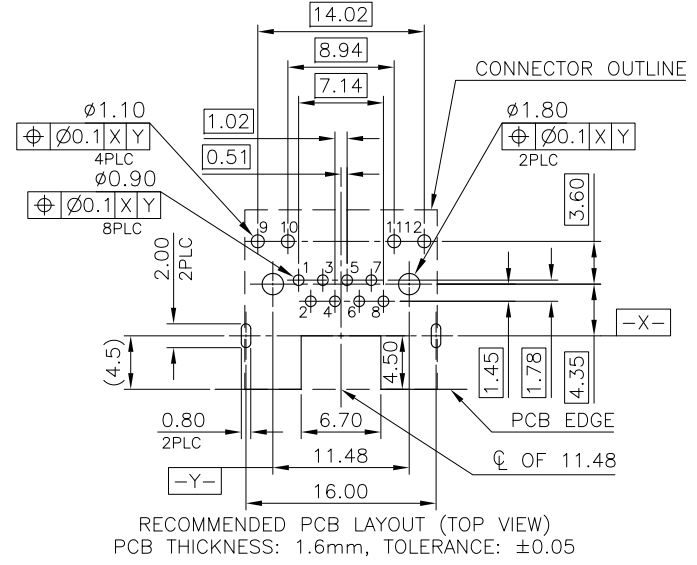
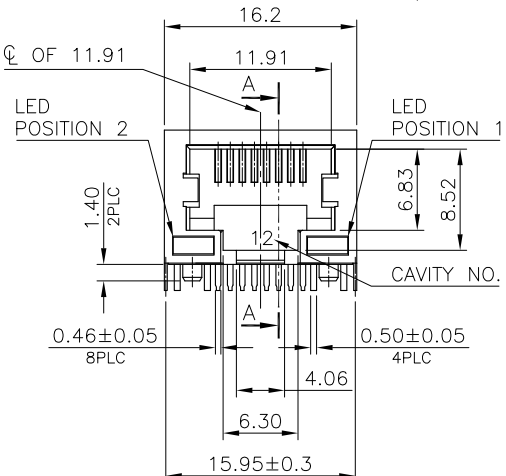
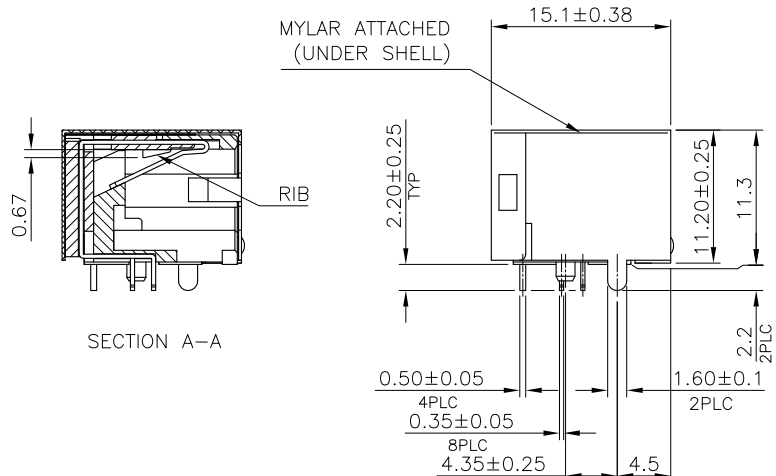
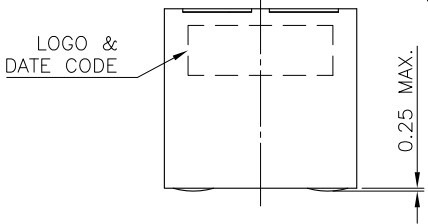
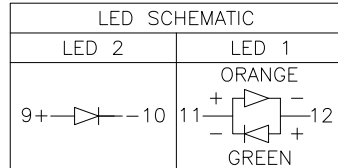
6	OBSOLETE	REEL	YELLOW	GREEN	1.27um[50u"]	1-1734324-8
					0.762um[30u"]	1-1734324-7
6	OBSOLETE	2.2	GREEN	YELLOW	0.381um[15u"]	1-1734324-6
					0.152um[6u"]	1-1734324-5
6	OBSOLETE	TRAY	YELLOW	GREEN	1.27um[50u"]	1-1734324-4
					0.762um[30u"]	1734324-7
6	OBSOLETE	TRAY	YELLOW	GREEN	0.381um[15u"]	1-1734324-3
					0.152um[6u"]	1-1734324-2
6	OBSOLETE	TRAY	GREEN	YELLOW	1.27um[50u"]	1-1734324-8
					0.762um[30u"]	1734324-7
6	OBSOLETE	TRAY	GREEN	YELLOW	0.381um[15u"]	1-1734324-6
					0.152um[6u"]	1734324-5
6	OBSOLETE	TRAY	GREEN	YELLOW	1.27um[50u"]	1-1734324-4
					0.762um[30u"]	1734324-3
6	OBSOLETE	TRAY	GREEN	YELLOW	0.381um[15u"]	1-1734324-2
					0.152um[6u"]	1734324-1
PACKAGE	DIM A	POSITION 2	POSITION 1	MIN. GOLD THICKNESS	PART NUMBER	
		INDICATOR COLOR				

THIS DRAWING IS A CONTROLLED DOCUMENT.

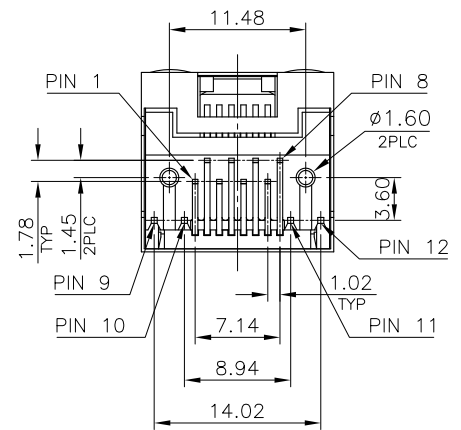
DIMENSIONS: mm	TOLERANCES UNLESS OTHERWISE SPECIFIED:	DWN A. WU 04MAR2008	TE Connectivity MODULAR JACK CONNECTOR RJ45 WITH LED, 8P8C, SHIELDED TAB DOWN, DIP TYPE, H=11.3mm
	0 PLC ± -	CHK S. HOU 04MAR2008	
	1 PLC ± 0.3	APVD W. KODAMA 04MAR2008	
MATERIAL	FINISH	NAME	
SEE NOTE	SEE NOTE	108-57535	
		APPLICATION SPEC	SIZE CAGE CODE DRAWING NO RESTRICTED TO
		WEIGHT 4.5 GRAMS	A3 00779 C=1734324
		CUSTOMER DRAWING	SCALE SHEET 1 of 7 REV A5

THIS DRAWING IS UNPUBLISHED. RELEASED FOR PUBLICATION
 © COPYRIGHT 2010 BY TYCO ELECTRONICS CORPORATION. ALL RIGHTS RESERVED.

LOC		DIST		REVISIONS					
DW				P	LTR	DESCRIPTION	DATE	DWN	APVD
SEE SHEET 1.									



- NOTE:
- MATERIAL:
 - HOUSING: PA46, WITH 30% GF, UL94 V-0, BLACK COLOR.
 - INSERT HOUSING: PA46, WITH 30% GF, UL94 V-0, BLACK COLOR.
 - CONTACTS: PHOSPHOR BRONZE.
 - SHELL: BRASS.
 - LED SOLDER TAIL: STEEL.
 - MYLAR: SILICONE POLYMER.
 - FINISH:
 - CONTACTS: (SEE TABLE) GOLD PLATED ON CONTACT AREA. GOLD FLASH ON SOLDER TAIL. 1.27um [50u"] MIN. NICKEL UNDERPLATED OVERALL.
 - SHELL: 0.508um [20u"] MIN. NICKEL PLATED.
 - LED: 1.02um [40u"] COPPER UNDERPLATED OVERALL. 1.27um [50u"] NICKEL OVERALL. 1.27um [50u"] SILVER ON BONDING AREA. 2.54um [100u"] BRIGHT-TIN ON SOLDER AREA.
 - LED MUST BE REFLOW COMPATIBLE TO FOLLOWING TEMPERATURE PROFILE (FOR 1 CYCLE): ABOVE 160°C FOR 120 SECONDS, PEAKING AT 220°C FOR 10 SECONDS.
 - LED DEFECT RATE IS 6000 PPM MAX. AFTER IR REFLOW PROCESS AS NOTE 3.
 - WAVE SOLDER CAPABLE TO 265°C PER TE SPEC 109-202, CONDITION B.
 - OBSELETE PARTS: OBSELETE CIS STREAMLINING PER D.RENAUD/D.SINISI.

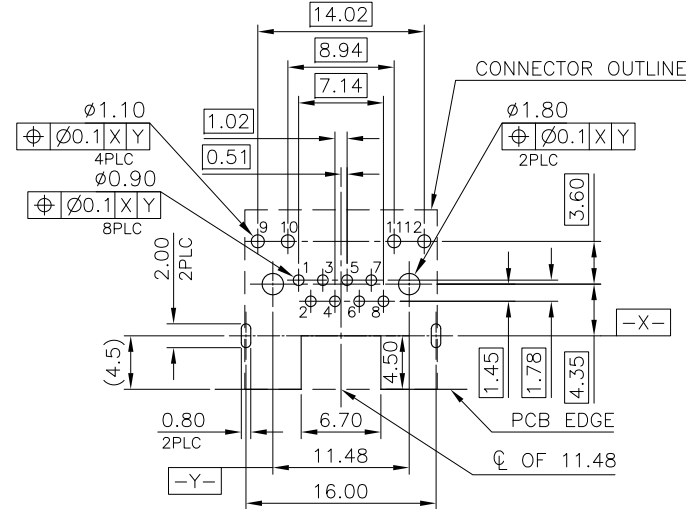
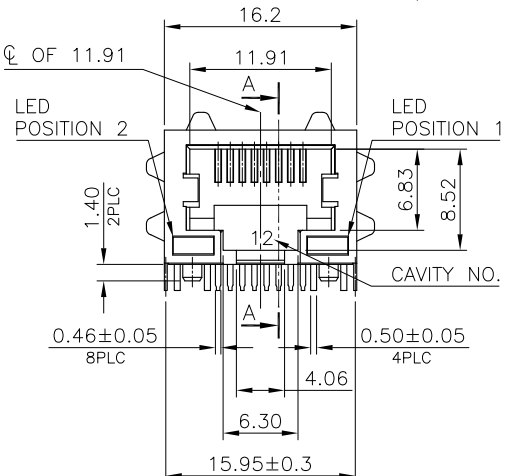
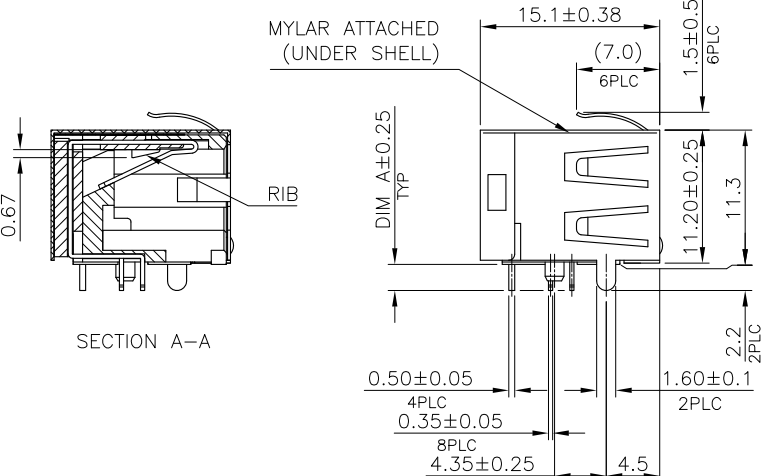
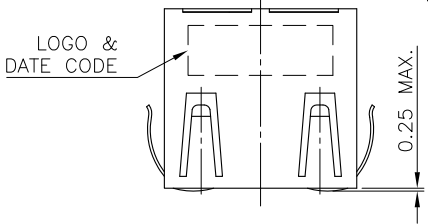
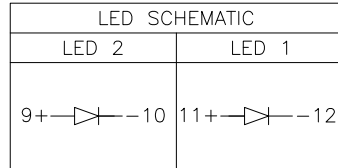


6	OBSELETE	TRAY	GREEN	ORANGE/ GREEN	1.27um [50u"]	4-1734324-4
	0.762um [30u"]				4-1734324-3	
6	OBSELETE	PACKAGE	POSITION 2 INDICATOR COLOR	POSITION 1	0.381um [15u"]	4-1734324-2
	0.152um [6u"]				4-1734324-1	
					MIN. GOLD THICKNESS	PART NUMBER

THIS DRAWING IS A CONTROLLED DOCUMENT.		DWN	TE Connectivity			
DIMENSIONS: mm		CHK	NAME			
TOLERANCES UNLESS OTHERWISE SPECIFIED:		APVD	MODULAR JACK CONNECTOR RJ45 WITH LED, 8P8C, SHIELDED TAB DOWN, DIP TYPE, H=11.3mm			
0 PLC ± -		PRODUCT SPEC	SIZE	CAGE CODE	DRAWING NO	RESTRICTED TO
1 PLC ± 0.3		APPLICATION SPEC	A3	00779	C=1734324	
2 PLC ± 0.2		WEIGHT	CUSTOMER DRAWING		SCALE	SHEET 3 of 7
3 PLC ± 0.15						REV A5
4 PLC ± -						
ANGLES ± 3'						
MATERIAL	FINISH					

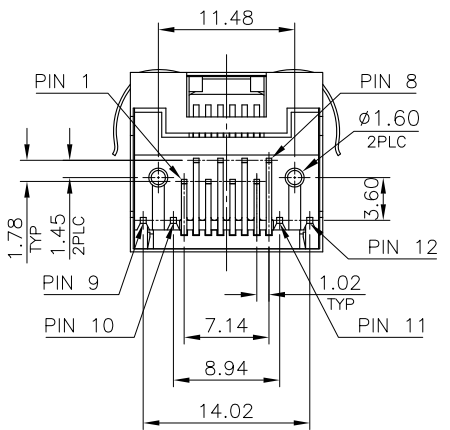
THIS DRAWING IS UNPUBLISHED. RELEASED FOR PUBLICATION
 © COPYRIGHT 2010 BY TYCO ELECTRONICS CORPORATION. ALL RIGHTS RESERVED.

LOC	DIST	REVISIONS					
DW		P	LTR	DESCRIPTION	DATE	DWN	APVD
				SEE SHEET 1.			



RECOMMENDED PCB THICKNESS	DIM A
1.6	2.2
2.0	3.5

- NOTE:
- MATERIAL:
 - HOUSING: PA46, WITH 30% GF, UL94 V-0, BLACK COLOR.
 - INSERT HOUSING: PA46, WITH 30% GF, UL94 V-0, BLACK COLOR.
 - CONTACTS: PHOSPHOR BRONZE.
 - SHELL: BRASS.
 - LED SOLDER TAIL: STEEL.
 - MYLAR: SILICONE POLYMER.
 - FINISH:
 - CONTACTS: (SEE TABLE) GOLD PLATED ON CONTACT AREA. GOLD FLASH ON SOLDER TAIL. 1.27um [50u"] MIN. NICKEL UNDERPLATED OVERALL.
 - SHELL: 0.508um [20u"] MIN. NICKEL PLATED.
 - LED: 1.02um [40u"] COPPER UNDERPLATED OVERALL. 1.27um [50u"] NICKEL OVERALL. 1.27um [50u"] SILVER ON BONDING AREA. 2.54um [100u"] BRIGHT-TIN ON SOLDER AREA.
 - LED MUST BE REFLOW COMPATIBLE TO FOLLOWING TEMPERATURE PROFILE (FOR 1 CYCLE): ABOVE 160°C FOR 120 SECONDS, PEAKING AT 220°C FOR 10 SECONDS.
 - LED DEFECT RATE IS 6000 PPM MAX. AFTER IR REFLOW PROCESS AS NOTE 3.
 - WAVE SOLDER CAPABLE TO 265°C PER TE SPEC 109-202, CONDITION B.
- ⚠️ OBSOLETE PARTS: OBSOLETE CIS STREAMLINING PER D.RENAUD/D.SINISI.



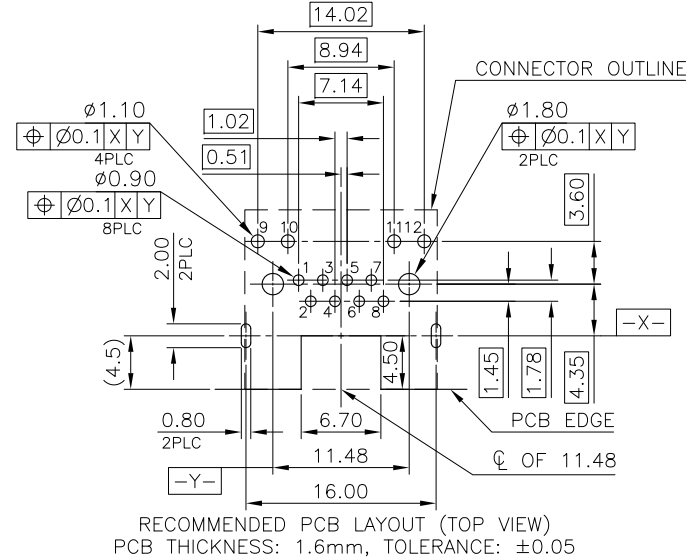
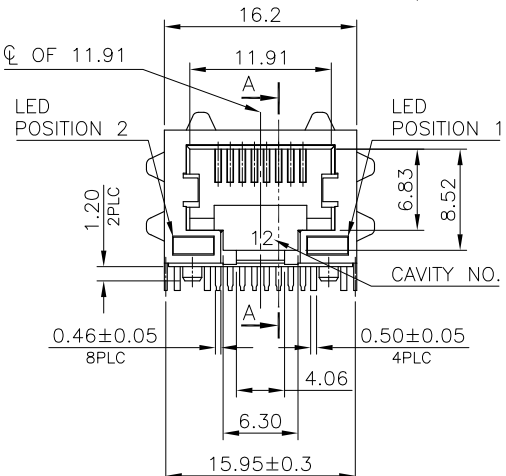
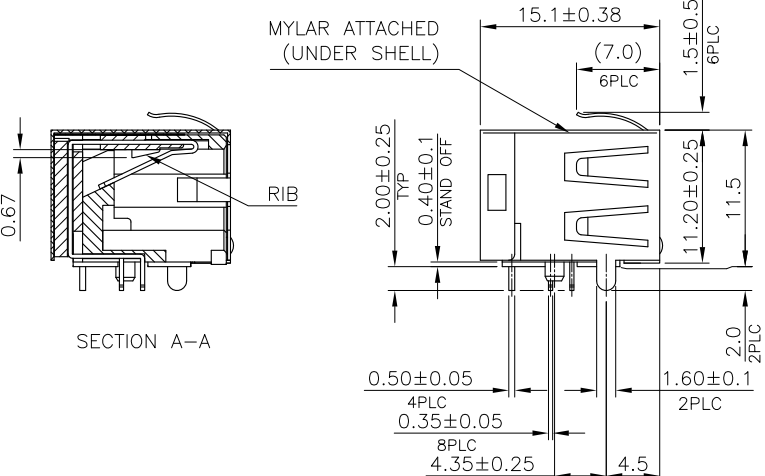
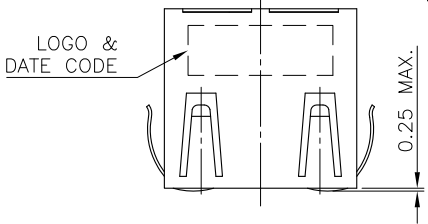
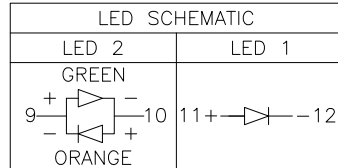
PACKAGE	DIM A	POSITION 2		POSITION 1		MIN. GOLD THICKNESS	PART NUMBER
		INDICATOR COLOR	INDICATOR COLOR	INDICATOR COLOR	INDICATOR COLOR		
TRAY	3.5	GREEN	YELLOW	0.762um[30u"]	5-1734324-9		
				1.27um[50u"]	5-1734324-8		
				0.762um[30u"]	5-1734324-7		
		YELLOW	GREEN	0.381um[15u"]	5-1734324-6		
				0.152um[6u"]	5-1734324-5		
				1.27um[50u"]	5-1734324-4		
GREEN	YELLOW	0.762um[30u"]	5-1734324-3				
		0.381um[15u"]	5-1734324-2				
		0.152um[6u"]	5-1734324-1				

THIS DRAWING IS A CONTROLLED DOCUMENT.

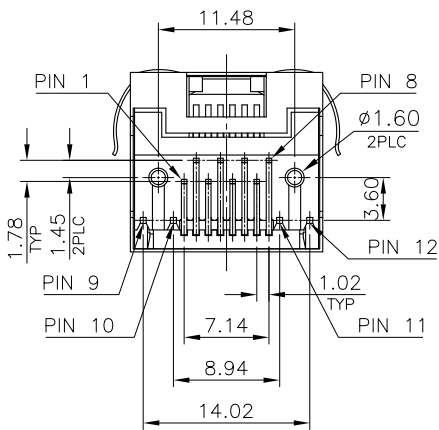
DIMENSIONS: mm	TOLERANCES UNLESS OTHERWISE SPECIFIED:	DWN	TE Connectivity
	0 PLC ± -	CHK	NAME
	1 PLC ± 0.3	APVD	MODULAR JACK CONNECTOR
	2 PLC ± 0.2	PRODUCT SPEC	RJ45 WITH LED, 8P8C, SHIELDED
	3 PLC ± 0.15	APPLICATION SPEC	TAB DOWN, DIP TYPE, H=11.3mm
	4 PLC ± -	WEIGHT	SIZE CAGE CODE DRAWING NO RESTRICTED TO
	ANGLES ± - ± 3'	CUSTOMER DRAWING	A3 00779 C=1734324
MATERIAL	FINISH	SCALE	SHEET 4 of 7 REV A5

THIS DRAWING IS UNPUBLISHED. RELEASED FOR PUBLICATION
 © COPYRIGHT 2010 BY TYCO ELECTRONICS CORPORATION. ALL RIGHTS RESERVED.

LOC		DIST		REVISIONS					
DW				P	LTR	DESCRIPTION	DATE	DWN	APVD
SEE SHEET 1.									



- NOTE:
- MATERIAL:
 - HOUSING: PA9T, WITH 30% GF, UL94 V-0, BLACK COLOR.
 - INSERT HOUSING: PA46, WITH 30% GF, UL94 V-0, BLACK COLOR.
 - CONTACTS: PHOSPHOR BRONZE.
 - SHELL: BRASS.
 - LED SOLDER TAIL: STEEL.
 - MYLAR: SILICONE POLYMER.
 - FINISH:
 - CONTACTS: (SEE TABLE) GOLD PLATED ON CONTACT AREA. GOLD FLASH ON SOLDER TAIL. 1.27um [50u"] MIN. NICKEL UNDERPLATED OVERALL.
 - SHELL: 0.508um [20u"] MIN. NICKEL PLATED.
 - LED: 1.02um [40u"] COPPER UNDERPLATED OVERALL. 1.27um [50u"] NICKEL OVERALL. 1.27um [50u"] SILVER ON BONDING AREA. 2.54um [100u"] BRIGHT-TIN ON SOLDER AREA.
 - LED MUST BE REFLOW COMPATIBLE TO FOLLOWING TEMPERATURE PROFILE (FOR 1 CYCLE): ABOVE 160°C FOR 120 SECONDS, PEAKING AT 220°C FOR 10 SECONDS.
 - LED DEFECT RATE IS 6000 PPM MAX. AFTER IR REFLOW PROCESS AS NOTE 3.
 - WAVE SOLDER CAPABLE TO 265°C PER TE SPEC 109-202, CONDITION B.

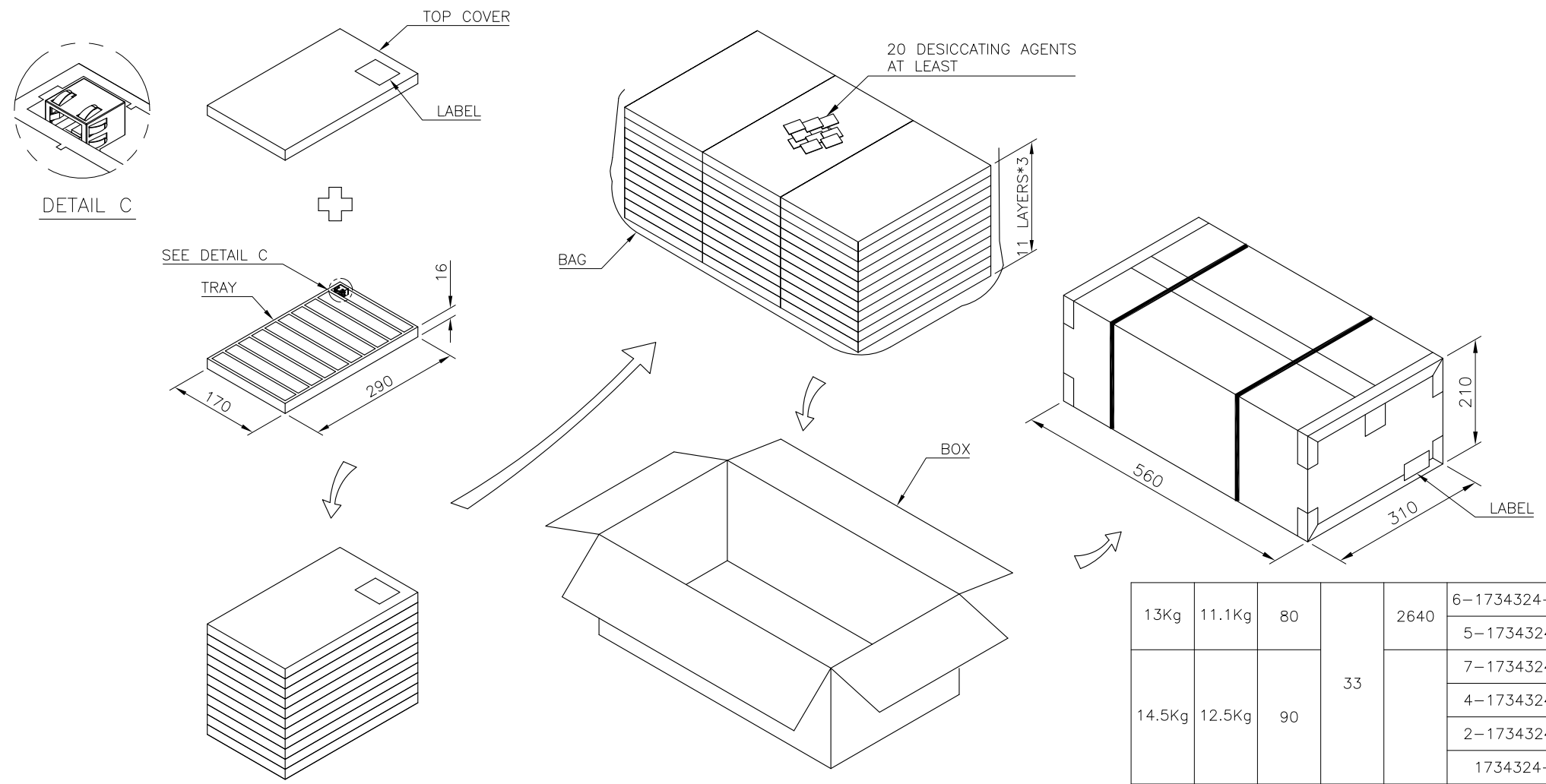


TAPE & REEL	GREEN/ ORANGE	YELLOW	1.27um [50u"]	6-1734324-8
			0.762um [30u"]	6-1734324-7
			0.381um [15u"]	6-1734324-6
TRAY	GREEN/ ORANGE	YELLOW	0.152um [6u"]	6-1734324-5
			1.27um [50u"]	6-1734324-4
			0.762um [30u"]	6-1734324-3
PACKAGE	POSITION 2 INDICATOR COLOR	POSITION 1	0.381um [15u"]	6-1734324-2
			0.152um [6u"]	6-1734324-1
			MIN. GOLD THICKNESS	PART NUMBER

THIS DRAWING IS A CONTROLLED DOCUMENT.		DWN	TE Connectivity		
DIMENSIONS: mm		CHK	NAME		
TOLERANCES UNLESS OTHERWISE SPECIFIED:		APVD	MODULAR JACK CONNECTOR		
0 PLC ±		PRODUCT SPEC	RJ45 WITH LED, 8P8C, SHIELDED		
1 PLC ±0.3		APPLICATION SPEC	TAB DOWN, DIP TYPE, H=11.3mm		
2 PLC ±0.2		WEIGHT	SIZE	CAGE CODE	DRAWING NO
3 PLC ±0.15		CUSTOMER DRAWING	A3	00779	C=1734324
4 PLC ±		SCALE	RESTRICTED TO		
ANGLES ± 3'		SHEET	5 of 7		
MATERIAL	FINISH	REV	A5		

THIS DRAWING IS UNPUBLISHED. RELEASED FOR PUBLICATION
 © COPYRIGHT 2010 BY TYCO ELECTRONICS CORPORATION. ALL RIGHTS RESERVED.

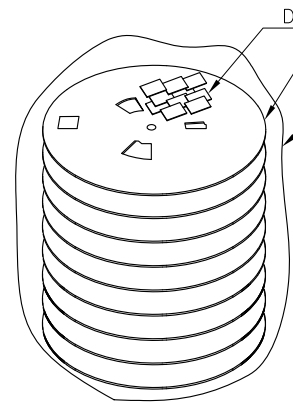
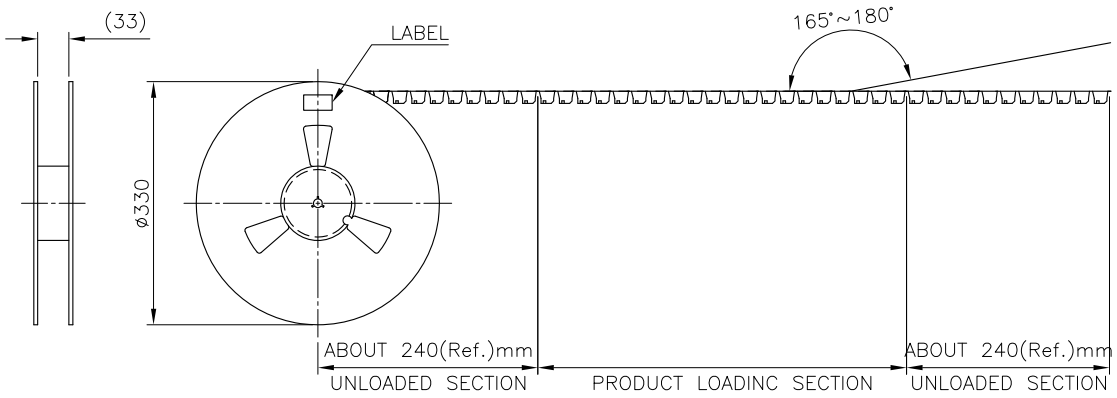
LOC	DIST	REVISIONS					
DW		P	LTR	DESCRIPTION	DATE	DWN	APVD
		SEE SHEET 1.					



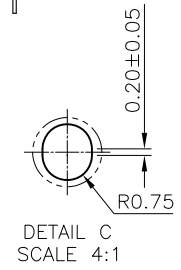
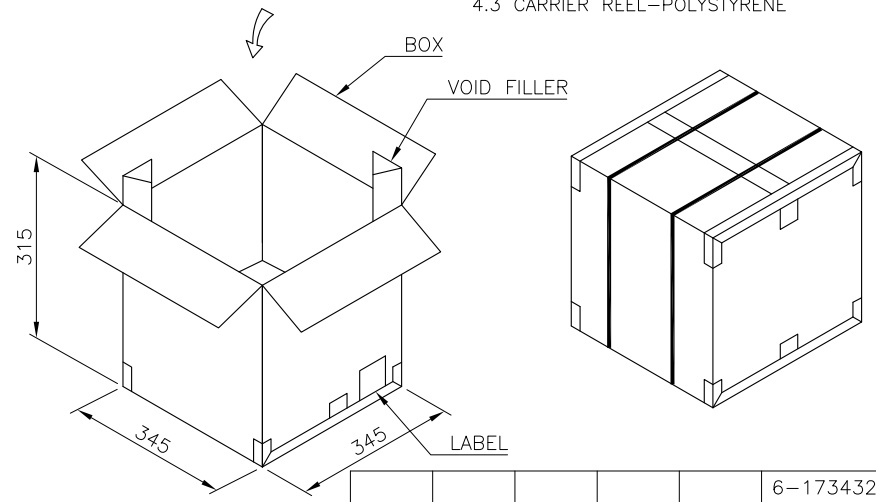
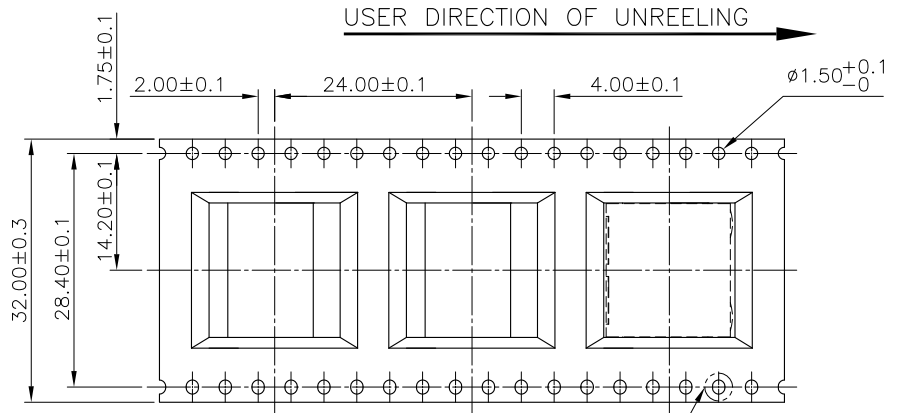
13Kg	11.1Kg	80	33	2640	6-1734324-1~4
14.5Kg	12.5Kg	90			7-1734324-X
					4-1734324-X
					2-1734324-X
					1734324-X
GROSS WEIGHT	NET WEIGHT	PCS /TRAY	TRAY /BOX	PCS /BOX	PART NUMBER

- NOTES:
- MATERIAL:
TRAY: PVC.
BOX: CORRUGATED FIBER.
 - DIMENSION: SEE DRAWING
 - QUANTITY: SEE TABLE
 - WEIGHT: SEE TABLE

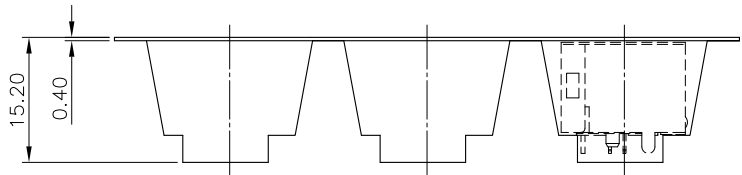
THIS DRAWING IS A CONTROLLED DOCUMENT.		DWN	TE Connectivity			
DIMENSIONS: mm 		CHK	NAME			
TOLERANCES UNLESS OTHERWISE SPECIFIED: 0 PLC ± - 1 PLC ±0.3 2 PLC ±0.2 3 PLC ±0.15 4 PLC ANGLES ± - ± 3°		APVD	MODULAR JACK CONNECTOR RJ45 WITH LED, 8P8C, SHIELDED TAB DOWN, DIP TYPE, H=11.3mm			
MATERIAL		PRODUCT SPEC	SIZE	CAGE CODE	DRAWING NO	RESTRICTED TO
FINISH		APPLICATION SPEC	A3	00779	C=1734324	
		WEIGHT	CUSTOMER DRAWING		SCALE	SHEET 6 of 7 REV A5



- NOTE:
- EACH BAG SHALL BE INCLUDED:
*DESICCANT
 - PEELING STRENGTH: 0.1~1.3N(1~130 GRAMS) FOR 12~56mm WIDE CARRIER TAPES
 - PEELING SPEED: 300mm/MINUTES.
 - PACKAGING MATERIAL:
 - COVER TAPE—COMPOSITE OF POLYETHYLENE TEREPHTHALATE (PET)
 - CARRIER—POLYSTYRENE (PS)
 - CARRIER REEL—POLYSTYRENE



8.5KG	6.1KG	180	8	1440	6-1734324-5~8
					3-1734324-X
					1-1734324-X
GROSS WEIGHT	NET WEIGHT	PCS /REEL	REEL /BOX	PCS /BOX	PART NUMBER



THIS DRAWING IS A CONTROLLED DOCUMENT.

DIMENSIONS: mm	TOLERANCES UNLESS OTHERWISE SPECIFIED:	DWN	TE Connectivity		
	0 PLC ±	CHK	MODULAR JACK CONNECTOR RJ45 WITH LED, 8P8C, SHIELDED TAB DOWN, DIP TYPE, H=11.3mm		
	1 PLC ±0.3	APVD			
	2 PLC ±0.2	PRODUCT SPEC			
	3 PLC ±0.15	APPLICATION SPEC			
	4 PLC ±	WEIGHT			
MATERIAL	FINISH	SIZE	CAGE CODE	DRAWING NO	RESTRICTED TO
		A3	00779	C-1734324	
CUSTOMER DRAWING			SCALE	SHEET	REV
				7 of 7	A5



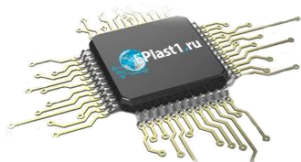
Компания «ЭлектроПласт» предлагает заключение долгосрочных отношений при поставках импортных электронных компонентов на взаимовыгодных условиях!

Наши преимущества:

- Оперативные поставки широкого спектра электронных компонентов отечественного и импортного производства напрямую от производителей и с крупнейших мировых складов;
- Поставка более 17-ти миллионов наименований электронных компонентов;
- Поставка сложных, дефицитных, либо снятых с производства позиций;
- Оперативные сроки поставки под заказ (от 5 рабочих дней);
- Экспресс доставка в любую точку России;
- Техническая поддержка проекта, помощь в подборе аналогов, поставка прототипов;
- Система менеджмента качества сертифицирована по Международному стандарту ISO 9001;
- Лицензия ФСБ на осуществление работ с использованием сведений, составляющих государственную тайну;
- Поставка специализированных компонентов (Xilinx, Altera, Analog Devices, Intersil, Interpoint, Microsemi, Aeroflex, Peregrine, Syfer, Eurofarad, Texas Instrument, Miteq, Cobham, E2V, MA-COM, Hittite, Mini-Circuits, General Dynamics и др.);

Помимо этого, одним из направлений компании «ЭлектроПласт» является направление «Источники питания». Мы предлагаем Вам помощь Конструкторского отдела:

- Подбор оптимального решения, техническое обоснование при выборе компонента;
- Подбор аналогов;
- Консультации по применению компонента;
- Поставка образцов и прототипов;
- Техническая поддержка проекта;
- Защита от снятия компонента с производства.



Как с нами связаться

Телефон: 8 (812) 309 58 32 (многоканальный)

Факс: 8 (812) 320-02-42

Электронная почта: org@eplast1.ru

Адрес: 198099, г. Санкт-Петербург, ул. Калинина, дом 2, корпус 4, литера А.