

GOT5840T-834

8.4" SVGA TFT Fanless Touch Panel Computer with Intel® Celeron® Processor J1900

Features

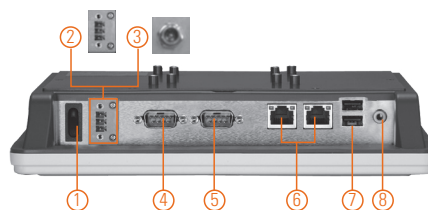
- 8.4" SVGA TFT LCD display with LED backlight
- Fanless cooling system with Intel® Celeron® processor J1900
- Ultra slim and super light design
- WLAN module and internal antenna
- PCI Express Mini Card slots for easy expansion
- 2 GbE LAN, 2 USB & 2 COM
- Supports panel mount/wall mount/VESA arm
- Plastic and IP65-rated front bezel



▲ Side view



▲ Desktop stand



1. Power switch (ATX)
2. Terminal block for DC power input or or
3. Screw conn. w/ AC power adapter
4. COM 1 (RS-232/422/485)
5. COM 2 (RS-232/422/485)
6. Ethernet x 2
7. USB 3.0 x 2
8. Audio (Line-out)



Introduction

The GOT5840T-834 is an 8.4" Intel® Celeron®-based fanless touch panel computer. In response to market demand, this panel computer is a cost effective solution. It adopts a modern, super sleek and fanless design and is equipped with a 8.4" TFT LCD as well as Intel® Celeron® processor J1900 (Bay Trail). For wireless network connection, the GOT5840T-834 offers 2 PCI Express Mini Card slots. By just plugging in the mini card WLAN card, customers can have instant access to wireless LAN/GPRS/GSM/4G environments. Besides, it provides two types of power input. One is DC power input (9 to 36 VDC) with terminal block connector, and another is AC power adapter with screw type connector.

Super Slim & Ultra Lightweight Design

The GOT5840T-834 is a super slim touch panel computer for space-limited environment with its thickness of 45 mm and weight of 1.3 kg only, which make it installed everywhere.

Built-in Internal WLAN Antenna

The GOT5840T-834 provides 2 PCI Express Mini Card slots and a built-in WLAN antenna for wireless network connections. By simply plugging in the wireless LAN card, customers can use the GOT5840T-834 in a wireless LAN/GPRS/GSM/4G environments.

Aluminum Back Chassis Excellent with Thermal Solution

With Axiomtek's patent for plastic plus aluminum mechanism design, the GOT5840T-834 can dissipate the heat easily and keep the system operation stable.

Specifications

| | |
|-------------|--|
| Front Bezel | IP65, NEMA 4 rugged protection, plastic front bezel |
| LCD Panel | Display Type 8.4" SVGA TFT LCD with LED backlight |
| | Brightness (cd/m ²) 350 nits |
| | Resolution 800 x 600 |
| | Viewing Angel (H/V) 160°/140° |
| Main System | CPU Intel® Celeron® processor J1900 4 cores |
| | System Memory 1 x 204-pin DDR3L-1333 MHz SO-DIMM, up to 8GB |
| | BIOS AMI UEFI BIOS |
| | Storage 1 x CFast™ or mSATA |
| | Watchdog Timer 255 levels, 0 to 255 sec. |
| | Onboard Graphics Integrated in Intel® GFX |

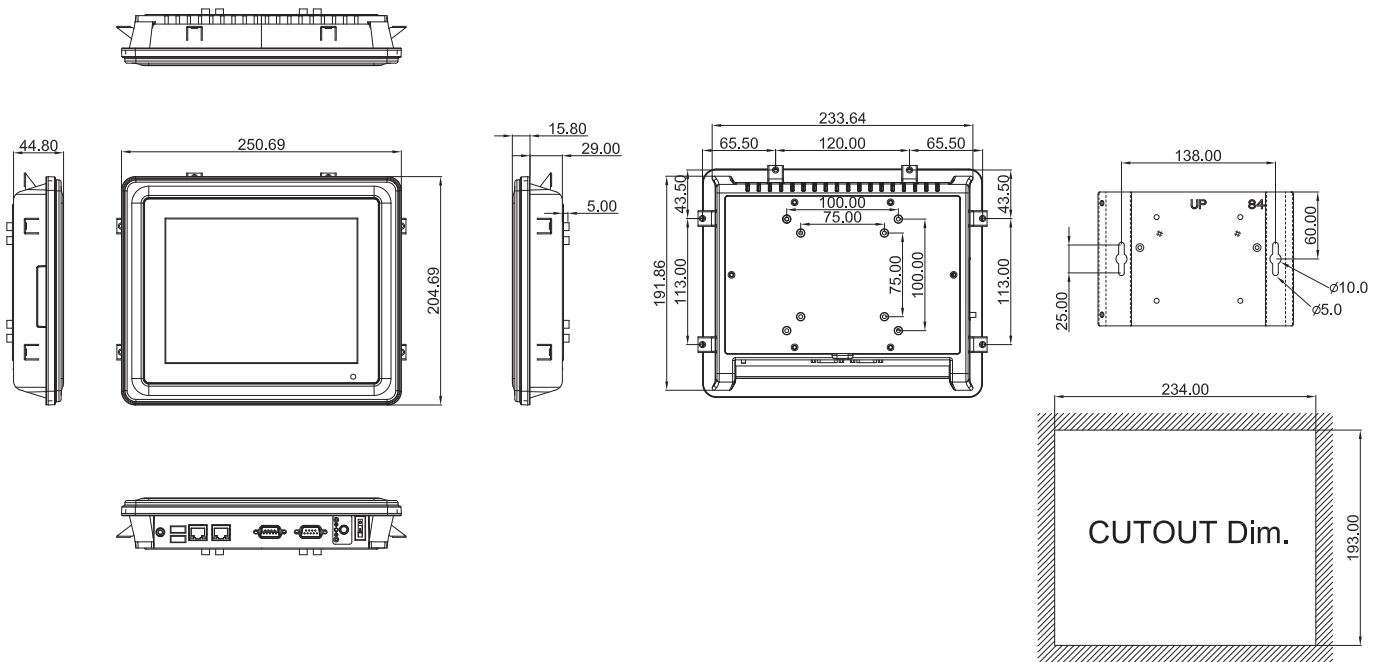
Specifications

| | |
|---------------------|---|
| I/O Connector | 2 x RS-232/422/485 (default RS-232, COM 1/2) 2 x USB 3.0 2 x 10/100/1000 Mbps Ethernet (Intel® i210IT) 1 x Audio (Line-out) |
| TPM | N/A |
| Expansion Interface | 1 x full-size PCI Express Mini Card slot with mSATA 1 x full-size PCI Express Mini Card slot with SIM |
| Touchscreen | Resistive type |
| Power Input | 1. DC version: 9 to 36 VDC with over-current protection fuse 2. AC version: 100 to 240 V AC-DC, 60W power adapter |
| Power Consumption | 25 W |
| Dimensions | 250.7 mm (9.87") (W) x 45.8 mm (1.80") (D) x 204.7 mm (8.06") (H) |
| Packing Dimensions | 380 mm (14.96") (W) x 100 mm (3.94") (D) x 280 mm (11.02") (H) |
| Weight (net/gross) | 1.3 kg (2.87 lb)/ 2.25 kg (4.96 lb) |
| Environment | Operating temperature: 0°C to+50°C (+32°F to+122°F) (with W.T. DRAM/HDD in airflow condition) 0°C to+45°C (+32°F to+113°F) (with W.T. DRAM) Relative humidity: 20% to90% @ +40°C; non-condensing Operation vibration: 2G, 5 to500 Hz, random for CFast™ |
| Certificate | CE |

Packing List

- 1 x GOT5840T-834
- 1 x Driver CD
- 1 x Adapter (GOT5840T-834-J)
- 1 x Panel mount kit
- 1 x Wall mount kit
- 1 x Phoenix connector (GOT5840T-834 DC)

Dimensions



Ordering Information

| | |
|-----------------|--|
| GOT5840T-834-J | 8.4" SVGA fanless touch panel computer with Intel® Celeron® processor J1900, 5-wire resistive touch screen, AC-DC 60W power adapter (screw type connector) and EMI class B |
| GOT5840T-834-DC | 8.4" SVGA fanless touch panel computer with Intel® Celeron® processor J1900, 5-wire resistive touch screen and 9 to 36 VDC power input (terminal block connector) |

Optional

| | |
|-----------------------|-----------|
| Wi-Fi + Bluetooth kit | |
| E226171106 | Stand kit |
| 881251203A0E | RFID kit |

* Specification and certifications are based on requirements and may vary.

Optional EOS Installation

| |
|----------------------------|
| WES 7 |
| WE8S |
| Windows® 10 IoT Enterprise |

Optional OS Installation

| |
|--------------|
| Windows® 7 |
| Windows® 8.1 |
| Windows® 10 |



▲ AC power adapter (for GOT5840T-834-J)





Компания «ЭлектроПласт» предлагает заключение долгосрочных отношений при поставках импортных электронных компонентов на взаимовыгодных условиях!

Наши преимущества:

- Оперативные поставки широкого спектра электронных компонентов отечественного и импортного производства напрямую от производителей и с крупнейших мировых складов;
- Поставка более 17-ти миллионов наименований электронных компонентов;
- Поставка сложных, дефицитных, либо снятых с производства позиций;
- Оперативные сроки поставки под заказ (от 5 рабочих дней);
- Экспресс доставка в любую точку России;
- Техническая поддержка проекта, помощь в подборе аналогов, поставка прототипов;
- Система менеджмента качества сертифицирована по Международному стандарту ISO 9001;
- Лицензия ФСБ на осуществление работ с использованием сведений, составляющих государственную тайну;
- Поставка специализированных компонентов (Xilinx, Altera, Analog Devices, Intersil, Interpoint, Microsemi, Aeroflex, Peregrine, Syfer, Eurofarad, Texas Instrument, Miteq, Cobham, E2V, MA-COM, Hittite, Mini-Circuits, General Dynamics и др.);

Помимо этого, одним из направлений компании «ЭлектроПласт» является направление «Источники питания». Мы предлагаем Вам помощь Конструкторского отдела:

- Подбор оптимального решения, техническое обоснование при выборе компонента;
- Подбор аналогов;
- Консультации по применению компонента;
- Поставка образцов и прототипов;
- Техническая поддержка проекта;
- Защита от снятия компонента с производства.



Как с нами связаться

Телефон: 8 (812) 309 58 32 (многоканальный)

Факс: 8 (812) 320-02-42

Электронная почта: org@eplast1.ru

Адрес: 198099, г. Санкт-Петербург, ул. Калинина, дом 2, корпус 4, литера А.