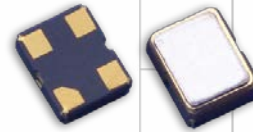




Model CA25

AUTOMOTIVE GRADE HCMOS CLOCK



Part Dimensions:
2.5 x 2.0 x 1.0mm • 14.25851mg

Features

- AEC-Q200 Compliant
- Ceramic Surface Mount Package
- Operating Temperature Range to -55°C to +105°C
- Fundamental and 3rd Overtone Crystal Designs
- Frequency Range 1.25 – 156.25MHz
- +1.8V, +2.5V and +3.3V Operation
- Output Enable Standard
- Tape and Reel Packaging, EIA-418

Standard Frequencies

* See Page 6 for common frequencies.
Check with factory for availability of frequencies not listed.

Applications

- Automotive Electronics
- Audio/Video Systems
- Medical Electronics
- Mobile Multimedia/Infotainment
- Wireless Communication
- Commercial Military & Aerospace

Description

CTS Model CA25 is a low cost, small size, Clock Oscillator [XO] developed for use in automotive electronics operating over extended temperature ranges. CA25 has an HCMOS/TTL compatible output, offers excellent stability and low jitter/phase noise performance.

Ordering Information

| Model | | Output Type | Frequency Code [MHz] | Frequency Stability | Temperature Range | Supply Voltage | Packaging |
|-------------------|-----------|-------------------------------------|----------------------|--------------------------------|-------------------|----------------|-----------|
| CA | 25 | C | XXX or XXXX | 3 | G | 3 | T |
| Code Package Size | | Code Frequency | | Code Temp. Range | | Code Packing | |
| 25 | 2.5x2.0mm | Product Frequency Code ¹ | | I -40°C to +85°C ² | | T 1k pcs./reel | |
| | | | | G -40°C to +105°C ³ | | | |
| | | | | H -40°C to +125°C ⁴ | | | |
| | | | | N -40°C to +150°C ⁵ | | | |
| | | | | P -55°C to +105°C ⁵ | | | |
| | | | | | | Code Output | |
| | | | | | | C HCMOS | |
| | | | | Code Stability | | Code Voltage | |
| | | | | 5 ±25ppm | | M +1.8Vdc | |
| | | | | 4 ±30ppm | | N +2.5Vdc | |
| | | | | 3 ±50ppm | | L +3.3Vdc | |
| | | | | 2 ±100ppm | | | |
| | | | | 7 ±150ppm | | | |

Notes:

- 1] Refer to document 016-1454-0, Frequency Code Tables. 3-digits for frequencies <100MHz, 4-digits for frequencies 100MHz or greater.
- 2] Available with all stability codes.
- 3] Available with stability codes 4, 3, 2 and 7.
- 4] Available with stability codes 3, 2 and 7.
- 5] Stability codes 2 and 7. Contact factory for availability.

Not all performance combinations and frequencies may be available.
Contact your local CTS Representative or CTS Customer Service for availability.

This product is specified for use only in standard commercial applications. Supplier disclaims all express and implied warranties and liability in connection with any use of this product in any non-commercial applications or in any application that may expose the product to conditions that are outside of the tolerances provided in its specification.



Electrical Specifications

Operating Conditions

| PARAMETER | SYMBOL | CONDITIONS | MIN | TYP | MAX | UNIT |
|---|-----------|------------|-------|-----|-------|------|
| Maximum Supply Voltage | V_{CC} | - | -0.5 | - | 4.0 | V |
| Supply Voltage | V_{CC} | ±5% | 1.710 | 1.8 | 1.890 | V |
| | | | 3.135 | 3.3 | 3.465 | |
| Typical @ Nominal V_{CC} , $C_L = 15$ pF, $T_A = +25^\circ\text{C}$ | | | | | | |
| Supply Current | I_{CC} | @ +1.8V | - | 10 | 15 | mA |
| | | @ +2.5V | - | 15 | 20 | |
| | | @ +3.3V | - | 15 | 20 | |
| Output Load | C_L | - | - | - | 15 | pF |
| Operating Temperature | T_A | - | -40 | - | +85 | °C |
| | | | -40 | - | +105 | |
| | | | -40 | +25 | +125 | |
| | | | -40 | - | +150 | |
| | | | -55 | - | +105 | |
| Storage Temperature | T_{STG} | - | -55 | - | +125 | °C |
| | | | -55 | - | +125 | |

Frequency Stability

| PARAMETER | SYMBOL | CONDITIONS | MIN | TYP | MAX | UNIT |
|---------------------------------|-------------------|--------------------------------------|-----|------------------------|-----|------|
| Frequency Range | f_O | - | | 1.25 - 156.25 | | MHz |
| Frequency Stability [Note 1] | $\Delta f/f_O$ | - | | 25, 30, 50, 100 or 150 | | ±ppm |
| Aging | $\Delta f/f_{25}$ | First Year @ +25°C, nominal V_{CC} | -5 | - | 5 | ppm |

1.] Inclusive of initial tolerance at time of shipment, changes in supply voltage, load, temperature and 1st year aging.

Output Parameters

| PARAMETER | SYMBOL | CONDITIONS | MIN | TYP | MAX | UNIT |
|--|------------|--|-------------|-------|-------------|------|
| Output Type | - | - | | HCMOS | | - |
| Output Voltage Levels | V_{OH} | Logic '1' Level, CMOS Load | $0.9V_{CC}$ | - | - | V |
| | V_{OL} | Logic '0' Level, CMOS Load | - | - | $0.1V_{CC}$ | |
| Output Current Levels | I_{OH} | $V_{OH} = 90\%V_{CC}$ [1.8V, 2.5V, 3.3V] | - | - | -4, -4, -8 | mA |
| | I_{OL} | $V_{OL} = 10\%V_{CC}$ [1.8V, 2.5V, 3.3V] | - | - | +4, +4, +8 | |
| Output Duty Cycle | SYM | @ 50% Level | 45 | - | 55 | % |
| @ 10%/90% Levels, Nominal V_{CC} , $C_L = 15$ pF | | | | | | |
| Rise and Fall Time [Note 2] | T_R, T_F | @ +1.8V | - | 5 | 7 | ns |
| | | @ +2.5V | - | 5 | 7 | |
| | | @ +3.3V | - | 6 | 7 | |
| Start Up Time | T_S | Application of V_{CC} | - | 2 | 5 | ms |

2.] Parameters are worst case and account for comprehensive range of product specification. Performance may vary by application and must be validated by end user.

Electrical Specifications

Output Parameters

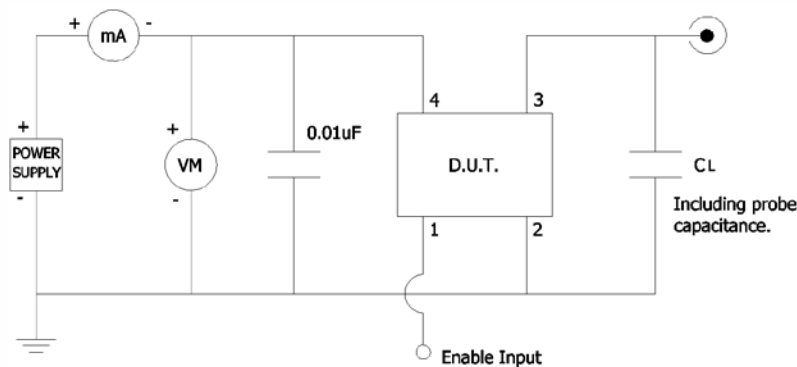
| PARAMETER | SYMBOL | CONDITIONS | MIN | TYP | MAX | UNIT |
|-----------------------|------------|---------------------------------|-------------|-----|-------------|---------|
| Enable Function | | Standby | | | | |
| Enable Input Voltage | V_{IH} | Pin 1 Logic '1', Output Enabled | $0.7V_{CC}$ | - | - | V |
| Disable Input Voltage | V_{IL} | Pin 1 Logic '0', Output Standby | - | - | $0.3V_{CC}$ | V |
| Enable Current | I_{STB} | Pin 1 Logic '0', Output Standby | - | - | 10 | μA |
| Enable Time | T_{PLZ} | Pin 1 Logic '1' | - | - | 5 | ms |
| Phase Jitter, RMS | t_{jrms} | Bandwidth 12 kHz - 20 MHz | - | 0.5 | <1 | ps |

Enable Truth Table

| Pin 1 | Pin 3 |
|-----------|-----------|
| Logic '1' | Output |
| Open | Output |
| Logic '0' | High Imp. |

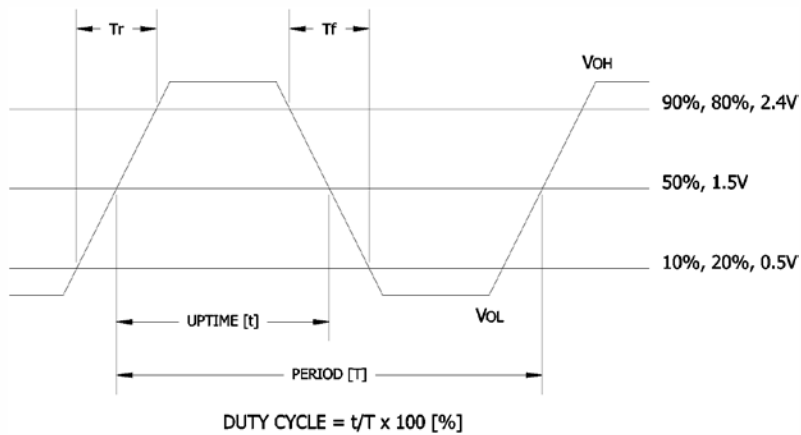
Test Circuit

HCMOS



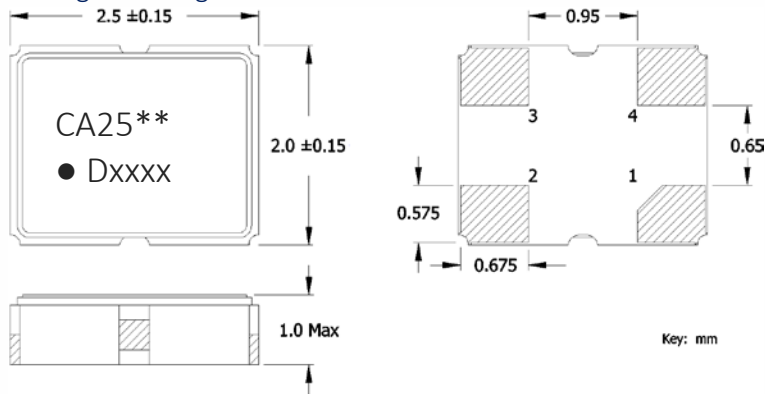
Output Waveform

HCMOS



Mechanical Specifications

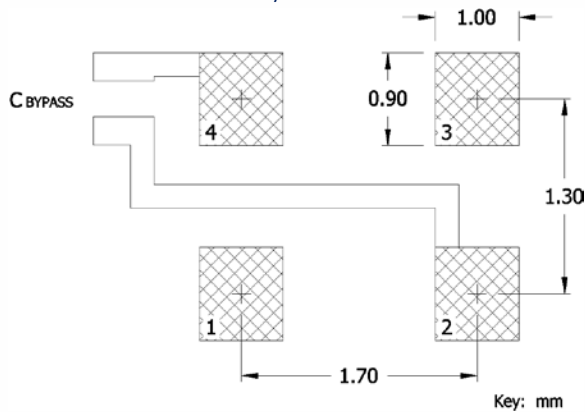
Package Drawing



Marking Information

1. CA25 – CTS model.
 2. ** – Manufacturing Site Code.
 3. ● – Pin 1 identifier.
 4. D – Date Code. See Table I for codes.
 5. xxxx – Frequency Code.
3-digits for frequencies <100MHz
4-digits for frequencies 100MHz or greater
- [See document 016-1454-0, Frequency Code Tables.]

Recommended Pad Layout



Notes

1. Termination pads (e4). Barrier-plating is nickel [Ni] with gold [Au] flash plate.
2. Reflow conditions per JEDEC J-STD-020; +260°C maximum, 20 seconds.
3. MSL = 1.

Pin Assignments

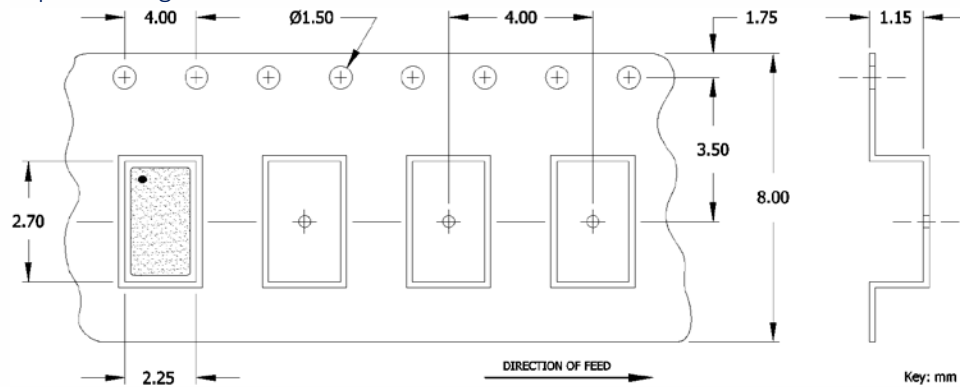
| Pin | Symbol | Function |
|-----|-----------------|-------------------|
| 1 | EOH | Enable |
| 2 | GND | Circuit & Package |
| 3 | Output | RF Output |
| 4 | V _{CC} | Supply Voltage |

Table I - Date Code

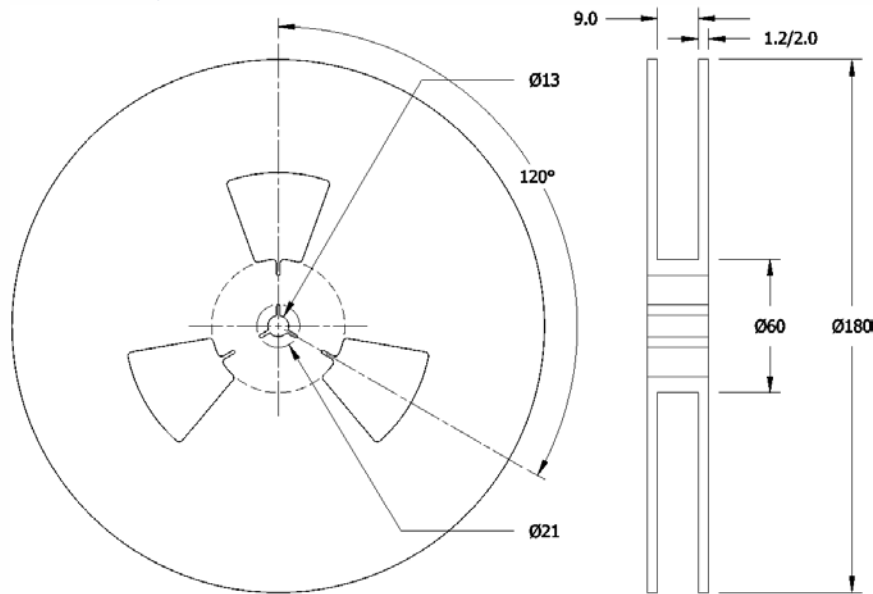
| YEAR | | MONTH | | | | | | | | | | | | | | |
|------|------|-------|------|------|-----|-----|-----|-----|-----|-----|-----|-----|-----|---|---|---|
| | | JAN | FEB | MAR | APR | MAY | JUN | JUL | AUG | SEP | OCT | NOV | DEC | | | |
| 2001 | 2005 | 2009 | 2013 | 2017 | A | B | C | D | E | F | G | H | J | K | L | M |
| 2002 | 2006 | 2010 | 2014 | 2018 | N | P | Q | R | S | T | U | V | W | X | Y | Z |
| 2003 | 2007 | 2011 | 2015 | 2019 | a | b | c | d | e | f | g | h | j | k | l | m |
| 2004 | 2008 | 2012 | 2016 | 2020 | n | p | q | r | s | t | u | v | w | x | y | z |

Packaging - Tape and Reel

Tape Drawing



Reel Drawing



Notes

1. Device quantity is 1k pieces minimum and 3k pieces maximum per 180mm reel.
2. Complete CTS part number, frequency value and date code information must appear on reel and carton labels.



Addendum

Common Frequencies Available – MHz

| FREQUENCY | FREQUENCY CODE | FREQUENCY | FREQUENCY CODE | FREQUENCY | FREQUENCY CODE | FREQUENCY | FREQUENCY CODE |
|-----------|----------------|-----------|----------------|-----------|----------------|-----------|----------------|
| 4.000000 | 040 | 24.000000 | 240 | 40.000000 | 400 | | |
| 8.000000 | 080 | 24.576000 | 24C | 48.000000 | 480 | | |
| 10.000000 | 100 | 25.000000 | 250 | 50.000000 | 500 | | |
| 12.000000 | 120 | 26.000000 | 260 | | | | |
| 12.288000 | 122 | 27.000000 | 270 | | | | |
| 14.318180 | 143 | 30.000000 | 300 | | | | |
| 14.745600 | 147 | 32.000000 | 320 | | | | |
| 16.000000 | 160 | 33.333000 | 33E | | | | |
| 20.000000 | 200 | 37.400000 | 374 | | | | |
| 22.118400 | 221 | 38.400000 | 384 | | | | |



Компания «ЭлектроПласт» предлагает заключение долгосрочных отношений при поставках импортных электронных компонентов на взаимовыгодных условиях!

Наши преимущества:

- Оперативные поставки широкого спектра электронных компонентов отечественного и импортного производства напрямую от производителей и с крупнейших мировых складов;
- Поставка более 17-ти миллионов наименований электронных компонентов;
- Поставка сложных, дефицитных, либо снятых с производства позиций;
- Оперативные сроки поставки под заказ (от 5 рабочих дней);
- Экспресс доставка в любую точку России;
- Техническая поддержка проекта, помощь в подборе аналогов, поставка прототипов;
- Система менеджмента качества сертифицирована по Международному стандарту ISO 9001;
- Лицензия ФСБ на осуществление работ с использованием сведений, составляющих государственную тайну;
- Поставка специализированных компонентов (Xilinx, Altera, Analog Devices, Intersil, Interpoint, Microsemi, Aeroflex, Peregrine, Syfer, Eurofarad, Texas Instrument, Miteq, Cobham, E2V, MA-COM, Hittite, Mini-Circuits, General Dynamics и др.);

Помимо этого, одним из направлений компании «ЭлектроПласт» является направление «Источники питания». Мы предлагаем Вам помощь Конструкторского отдела:

- Подбор оптимального решения, техническое обоснование при выборе компонента;
- Подбор аналогов;
- Консультации по применению компонента;
- Поставка образцов и прототипов;
- Техническая поддержка проекта;
- Защита от снятия компонента с производства.



Как с нами связаться

Телефон: 8 (812) 309 58 32 (многоканальный)

Факс: 8 (812) 320-02-42

Электронная почта: org@eplast1.ru

Адрес: 198099, г. Санкт-Петербург, ул. Калинина, дом 2, корпус 4, литера А.