



FCIconnect.com

Copyright FCI.

List of "HFW__R-1/2STBE1LF" customer document

DOCUMENT NO.	LIST
SC-HFWR03	SPEC.
JSA96783	CAT.NO.TABLE FOR 1mm SPACING SMT CONNECTOR (HFW__R-1/2STB__LF)
JSA96784	1mm SPACING SURFACE MOUNT FPC CONNECCTOR (HFW__R-1STB__LF)
JSA96785	1mm SPACING SURFACE MOUNT FPC CONNECCTOR (HFW__R-2STB__LF)
JSA96786	CAT.NO.TABLE FOR PLASTIC TAPE PACKAGED 1mm SPACING SMT CONN.(HFW__R-1/2STBE1LF)
JSA96787	1mm SPACING SMT CONNECTOR (HFW__R-1STBE1LF)
JSA96788	1mm SPACING SMT CONNECTOR (HFW__R-2STBE1LF)
JSA96789	RECOMMENDED CABLE (FPC) (HFW__R-1/2STB)
BJM-HFWR101	HANDLING PROCEDURES

mat'l. code				surface ⁵⁸ / tolerance ISO 1302 <input checked="" type="checkbox"/> ISO 406 ISO 1101		projection 		product family 58NF		CODE JP		
ltr	ecn no	dr	date	tolerances unless otherwise specified		mm		title				
A	J05-0653	H.T	10/12/05	angles		linear		1mm SPACING FPC/FFC CONNECTOR DOCUMENT LIST (Cat. No. : HFW__R-1/2STBE1LF)				
B	J06-0413	H.T	10/4/06									
C	J07-0161	H.T	3/15/07									
				dr	<i>[Signature]</i>	2/15/07		dwg no		sheet 1 of 1	size	
				enr	<i>[Signature]</i>	2/15/07		JSA 96782			A4	
				chr	<i>[Signature]</i>	2/19/07						
				appd	<i>[Signature]</i>	2/19/07						
sheet index	revision sheet	C	1									Rev c

1

2

CAT. NO. & DIMENSIONS

(NOTE3)	NO. OF CONTACTS (n)	CAT. NO.	DIMENSIONS (NOTE2)		
			A ± 0.2	B ± 0.2	C ± 0.1
	4	HFW4R-1/2STB__LF	6.6	3	5.14
	5	HFW5R-1/2STB__LF	7.6	4	6.14
	6	HFW6R-1/2STB__LF	8.6	5	7.14
	7	HFW7R-1/2STB__LF	9.6	6	8.14
	8	HFW8R-1/2STB__LF	10.6	7	9.14
	9	HFW9R-1/2STB__LF	11.6	8	10.14
	10	HFW10R-1/2STB__LF	12.6	9	11.14
	11	HFW11R-1/2STB__LF	13.6	10	12.14
	12	HFW12R-1/2STB__LF	14.6	11	13.14
	13	HFW13R-1/2STB__LF	15.6	12	14.14
	14	HFW14R-1/2STB__LF	16.6	13	15.14
	15	HFW15R-1/2STB__LF	17.6	14	16.14
	16	HFW16R-1/2STB__LF	18.6	15	17.14
	17	HFW17R-1/2STB__LF	19.6	16	18.14
	18	HFW18R-1/2STB__LF	20.6	17	19.14
	19	HFW19R-1/2STB__LF	21.6	18	20.14
	20	HFW20R-1/2STB__LF	22.6	19	21.14
	21	HFW21R-1/2STB__LF	23.6	20	22.14
	22	HFW22R-1/2STB__LF	24.6	21	23.14
	23	HFW23R-1/2STB__LF	25.6	22	24.14
	24	HFW24R-1/2STB__LF	26.6	23	25.14
	25	HFW25R-1/2STB__LF	27.6	24	26.14
	26	HFW26R-1/2STB__LF	28.6	25	27.14
	27	HFW27R-1/2STB__LF	29.6	26	28.14
*	28	HFW28R-1/2STB__LF	30.6	27	29.14
*	29	HFW29R-1/2STB__LF	31.6	28	30.14
	30	HFW30R-1/2STB__LF	32.6	29	31.14

CAT. NO. HFW (n) R - 1 ST B __ LF

SERIES _____

NO. OF CONTACTS _____

RIGHT ANGLE TYPE _____

FOR FPC/FFC, CONTACT DIRECTION _____

1. LOWER CONTACT TYPE
2. UPPER CONTACT TYPE

FOR AUTOMATIC MOUNTING (SMT) _____

GOLD PLATING _____

PACKAGE STYLE _____

LEAD FREE _____

NOTES

1. THIS PRODUCT IS THE CONNECTOR DESIGNED TO TERMINATE FPC AND COPES WITH AUTOMATIC MOUNTING (SMT).
2. SEE PART DRAWINGS FOR DIMENSIONS A~C.
3. PLEASE CONSULT US IN CASE OF USING PARTS WITH * MARK.

mat'l. code				surface 58 / tolerance ISO 1302 ✓ / ISO 406 / ISO 1101		projection		product family 58NF		CODE JP	
ltr	ecn no	dr	date	tolerances unless otherwise specified		mm		title			
A	J05-0653	H.T	10/12/'05	angles	linear	mm		CAT NO.TABLE FOR 1mm SPACING SMT CONNECTOR (Cat.No. HFW__R-1/2STB__LF)			
B	J06-0413	H.T	10/4/'06			scale X		dwg no sheet 1 of 1 size			
				dr	10/4/06	FCJ		JSA 96783 A4			
				enr	10/4/06			type Product Customer Drawing			
				chr	10/12/06						
				appd	10/12/06						
sheet index	revision sheet	B	1								Rev. B

SC-HFWR 03 JSA96784 96785 96786 96788 96789 form: A4

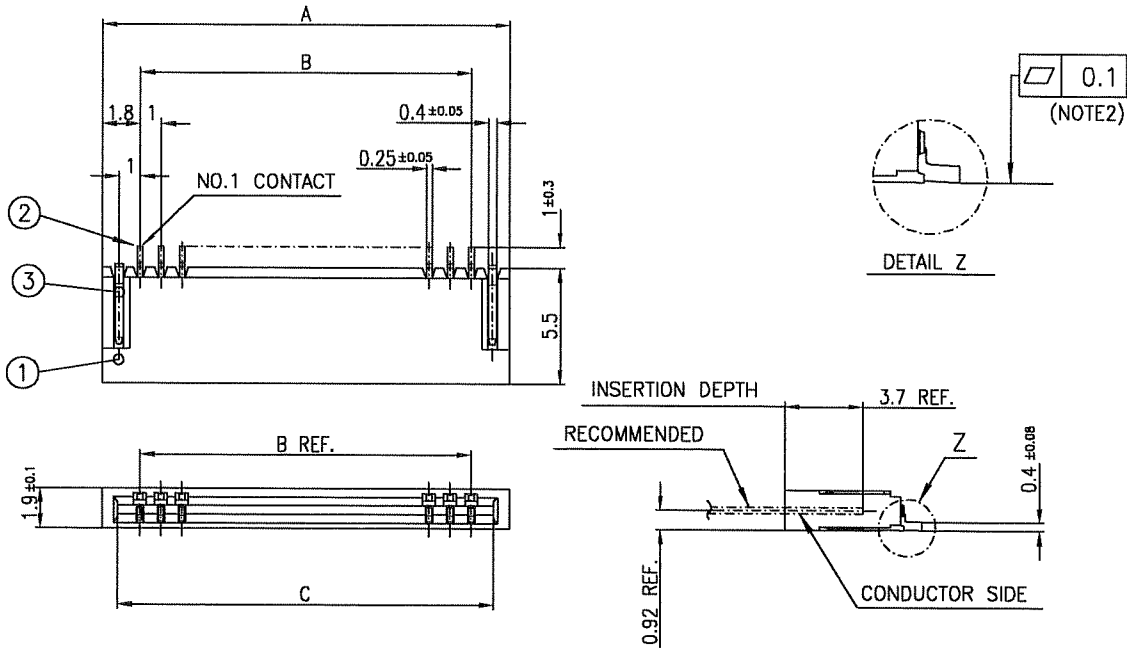
1

2

PDM: Rev:B

STATUS:Released

Printed: Feb 18, 2008

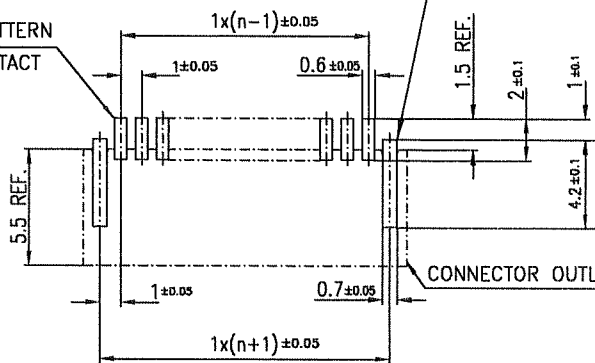


PT. NO.	PARTS NAME	MATERIAL	Q'TY	NOTE
1	HOUSING	PA6T RESIN GLASS REINFORCED (UL94V-0)	1	COLOR:BLACK
2	CONTACT	PHOSPHOR BRONZE	n	CONTACT POINT:GOLD TERMINAL POINT:TIN
3	MOUNTING PLATE		2	TIN

n : NO. OF CONTACTS

RECOMMENDED PC BOARD LAYOUT (COMPONENT SIDE)

BASIC PATTERN NO.1 CONTACT POSITION

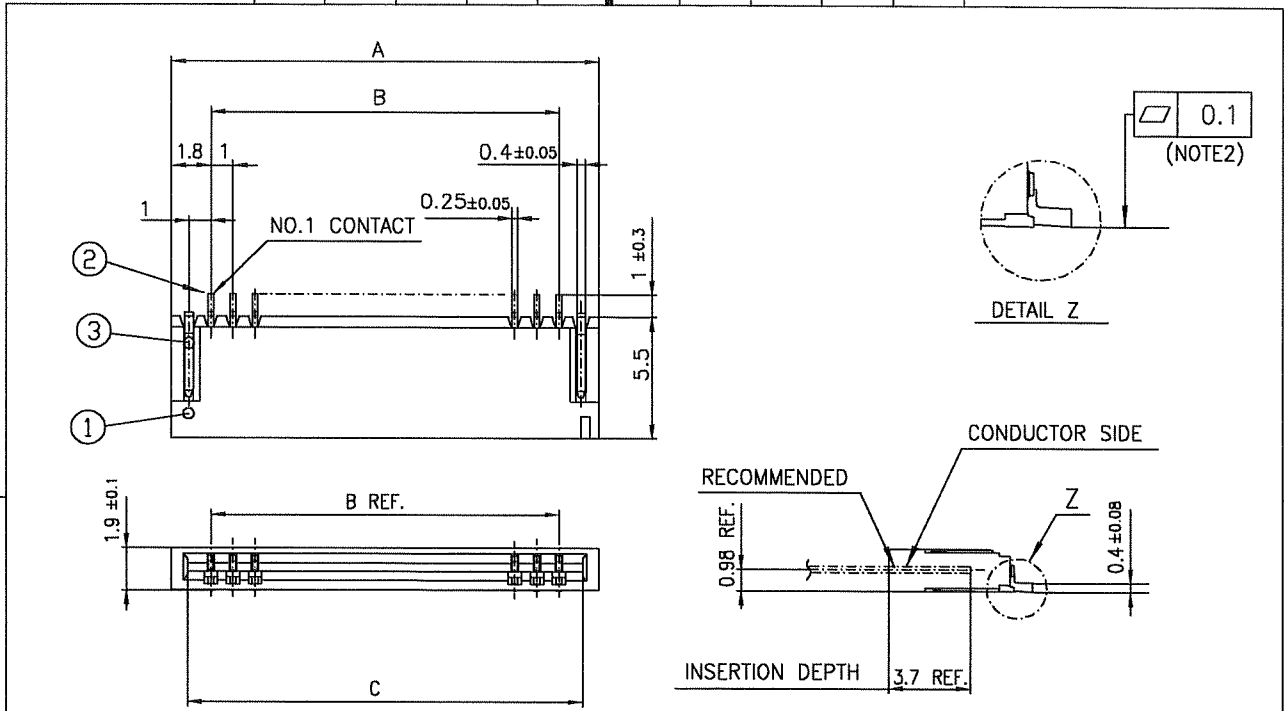


NOTES

1. THIS PRODUCT IS THE CONNECTOR DESIGNED TO TERMINATE FPC AND COPES WITH AUTOMATIC MOUNTING (SMT).
2. FLATNESS OF CONTACT TERMINAL FOR HOUSING MUST BE WITHIN TOLERANCE IN Z PORTION DETAILED DRAWING.
3. THIS PRODUCT IS LOWER CONTACT TYPE CONNECTOR.
4. THIS PRODUCT MEETS EUROPEAN UNION DIRECTIVES AND OTHER COUNTRY REGULATIONS AS DESCRIBED IN GS-22-00B
5. THE HOUSING WILL WITHSTAND EXPOSURE TO 260°C PEAK TEMPERATURE FOR 10 SECONDS IN A REFLOW SOLDERING OVEN

mat'l. code				surface 58 ISO 1302	tolerance ISO 406 ISO 1101	projection	product family	58NF	CODE	JP	
ltr	ecn no	dr	date	tolerances unless otherwise specified		mm	title				
A	J05-0653	H.T	10/12/'05	angles	linear		1mm SPACING SURFACE MOUNT FPC CONNECTOR (Cat.No. HFW__R-1STB_LF)				
B	J06-0413	H.T	10/4/'06			scale	dwg no		sheet 1 of 1	size	
				dr	<i>H. Hoshino</i>	10/14/06	JSA 96784		A4		
				enrg	<i>H. Hoshino</i>	10/14/06	type		Product Customer Drawing		
				chr	<i>S. Bno</i>	10/12/06					
				appd	<i>S. Oshida</i>	10/12/06					
sheet index	revision	B	1								Rev. B

SC-HFWR 03 JSA96783 form: A4



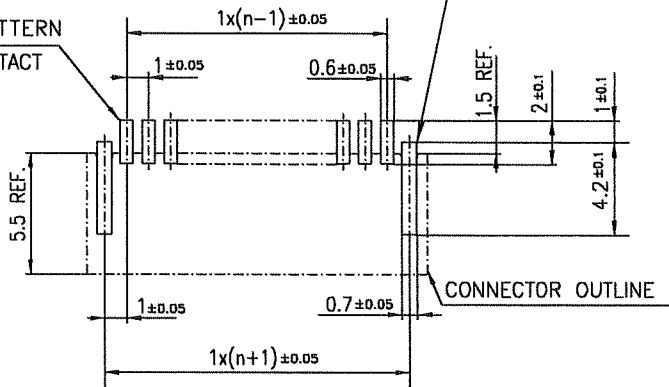
PT. NO.	PARTS NAME	MATERIAL	Q'TY	NOTE
1	HOUSING	PA6T RESIN GLASS REINFORCED (UL94V-0)	1	COLOR:BLACK
2	CONTACT	PHOSPHOR BRONZE	n	CONTACT POINT:GOLD TERMINAL POINT:TIN
3	MOUNTING PLATE		2	TIN

n : NO. OF CONTACTS

RECOMMENDED PC BOARD LAYOUT
(COMPONENT SIDE)

BASIC PATTERN

NO.1 CONTACT POSITION

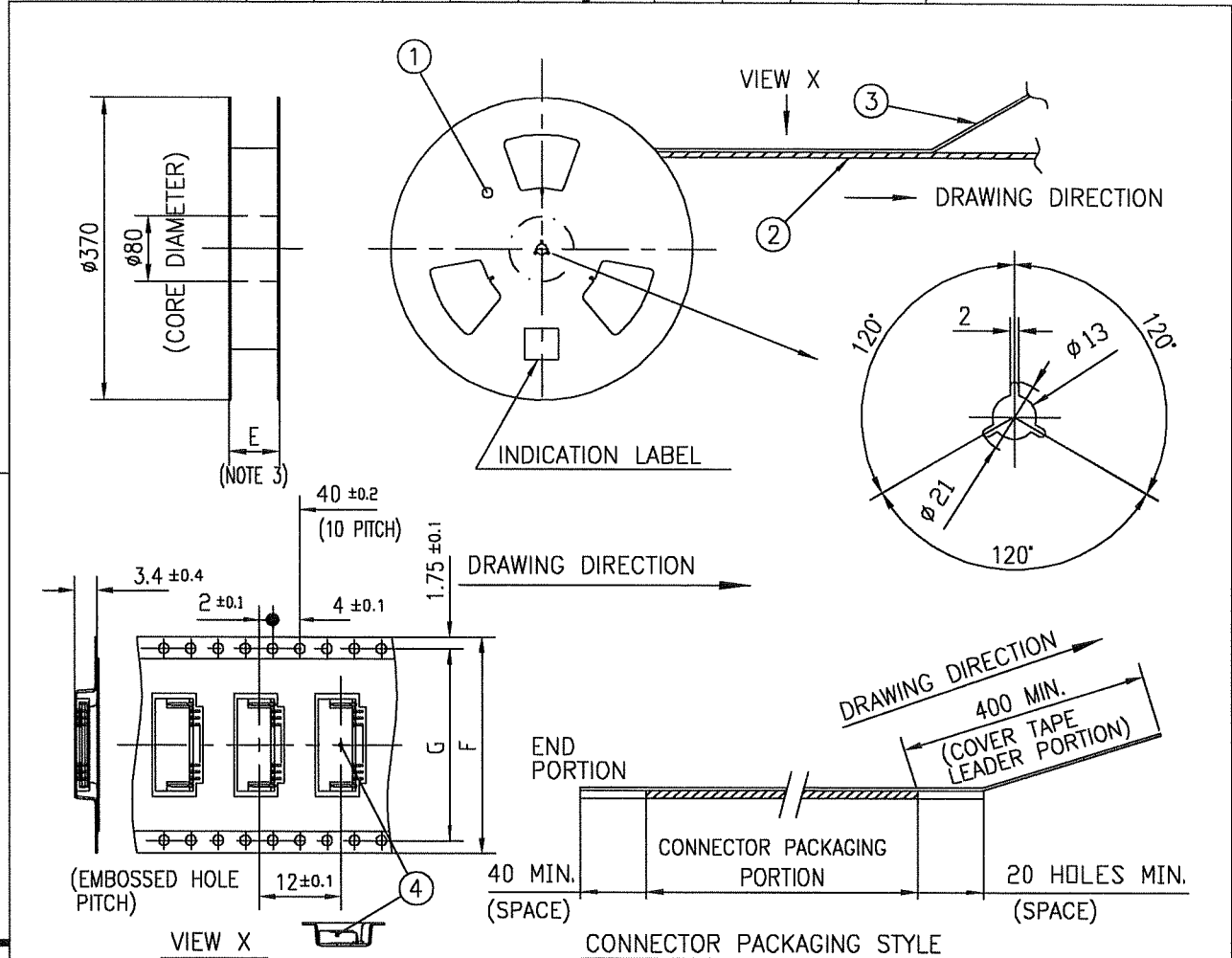


NOTES

1. THIS PRODUCT IS THE CONNECTOR DESIGNED TO TERMINATE FPC AND COPES WITH AUTOMATIC MOUNTING (SMT).
2. FLATNESS OF CONTACT TERMINAL FOR HOUSING MUST BE WITHIN TOLERANCE IN Z PORTION DETAILED DRAWING.
3. THIS PRODUCT IS UPPER CONTACT TYPE CONNECTOR.
4. THIS PRODUCT MEETS EUROPEAN UNION DIRECTIVES AND OTHER COUNTRY REGULATIONS AS DESCRIBED IN GS-22-008
5. THE HOUSING WILL WITHSTAND EXPOSURE TO 260°C PEAK TEMPERATURE FOR 10 SECONDS IN A REFLOW SOLDERING OVEN

mat'l. code				surface 58 ISO 1302	tolerance ISO 406 ISO 1101	projection 	product family 58NF	CODE JP
ltr	ecn no	dr	date	tolerances, unless otherwise specified		mm 	title	
A	J05-0653	H.T	10/12/05	angles	linear		1mm SPACING SURFACE MOUNT FPC CONNECTOR (Cat.No. HFW__R-2STB__LF)	
B	J06-0413	H.T	10/4/06			scale	dwg no sheet 1 of 1	
				dr	<i>H. Hester</i> 10/4/06		JSA 96785	
				enr	<i>H. Hester</i> 10/4/06		size A4	
				chr	<i>J. Gao</i> 10/12/06		type Product Customer Drawing	
				appd	<i>S. Anderson</i> 10/12/06			
sheet index	revision	B						Rev. B
	sheet	1						

SC-HFWR 03 JSA96783
form: A4



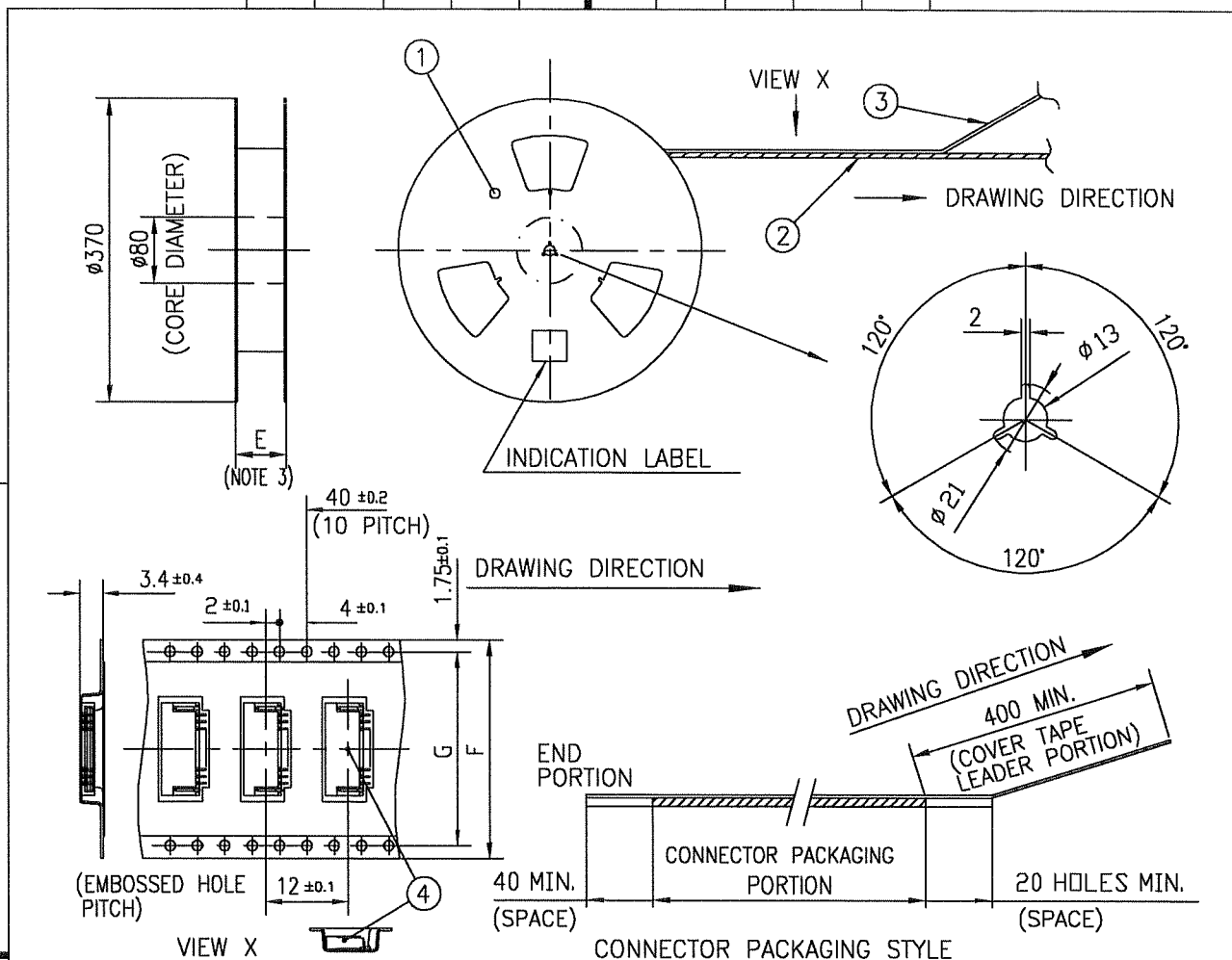
PT. NO.	PARTS NAME	CAT. NO.	MATERIAL	Q'TY	NOTE
1	REEL	_____	CARDBOARD	1	COLOR:WHITE
2	PLASTIC (EMBOSS) TAPE	_____	PET	_____	COLOR:TRANSPARENCY
3	COVER	_____	POLYESTER	_____	COLOR:TRANSPARENCY
4	CONNECTOR	HFW__R-1STB__LF	SEE ATTACHED DWG.	2000	LOWER CONTACT TYPE

- NOTES
1. THIS IS PLASTIC TAPE PACKAGED CONNECTOR DESIGNED TO TERMINATE FPC AND COPES WITH AUTOMATIC MOUNTING (SMT).
 2. SEE JIS C 0806 (PACKING OF ELECTRONIC COMPONENTS ON CONTINUOUS TAPES (SURFACE MOUNTING DEVICES)) FOR SHAPE AND DIMENSIONS OF PLASTIC (EMBOSS) TAPE AND REEL.
 3. E DIMENSION IS PORTION OF THE CORE.

mat'l. code		surface 58 ISO 1302 ✓		tolerance ISO 406 ISO 1101		projection mm		product family 58NF		CODE JP	
ltr		ecn no		dr		date		tolerances, unless otherwise specified		title	
A		J05-0653		H.T.		10/12/'05		±5		1mm SPACING SMT CONNECTOR (Cat.No. HFV__R-1STBE1LF)	
B		J06-0413		H.T.		10/4/'05		angles linear		scale X	
								±5'		dwg no	
								dr		sheet 1 of 1 size	
								enrg		JSA 96787 A4	
								chr		type Product Customer Drawing	
								appd			
sheet index		revision sheet		B		1				Rev. B	

SC-HFWR 03 JSA96783
form: A4

FCJ
 FCconnect.com
 Copyright FCJ.



PT. NO.	PARTS NAME	CAT. NO.	MATERIAL	Q'TY	NOTE
1	REEL	---	CARDBOARD	1	COLOR:WHITE
2	PLASTIC (EMBOSSED) TAPE	---	PET	---	COLOR:TRANSPARENCY
3	COVER	---	POLYESTER	---	COLOR:TRANSPARENCY
4	CONNECTOR	HFW__R-2STB__-LF	SEE ATTACHED DWG.	2000	UPPER CONTACT TYPE

NOTES

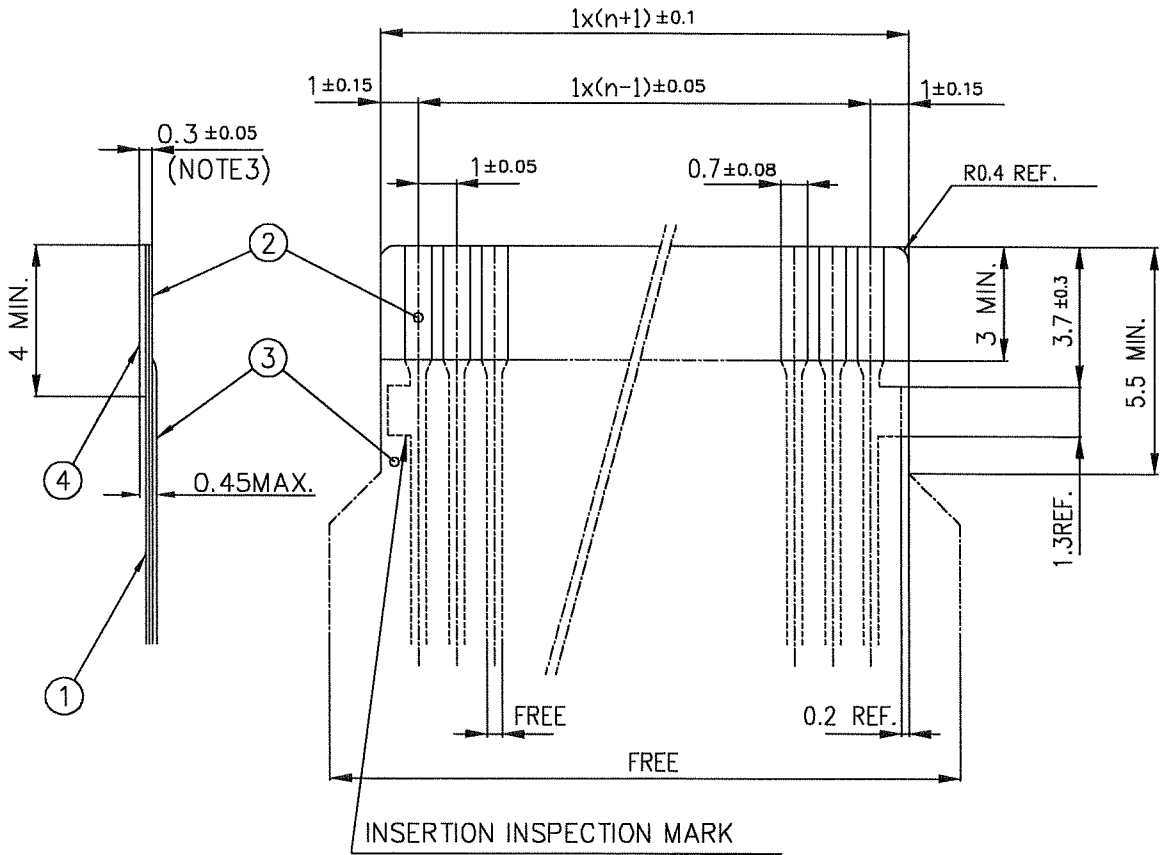
1. THIS IS PLASTIC TAPE PACKAGED CONNECTOR DESIGNED TO TERMINATE FPC AND COPES WITH AUTOMATIC MOUNTING (SMT).
2. SEE JIS C 0806 (PACKING OF ELECTRONIC COMPONENTS ON CONTINUOUS TAPES (SURFACE MOUNTING DEVICES)) FOR SHAPE AND DIMENSIONS OF PLASTIC (EMBOSSED) TAPE AND REEL.
3. E DIMENSION IS PORTION OF THE CORE.

mat'l. code		surface 58 / ISO 1302 ✓		tolerance ISO 406 / ISO 1101		projection		product family 58NF		CODE JP	
ltr	ecn no	dr	date	tolerances unless otherwise specified		mm		title			
A	J05-0653	H.T	10/12/05	angles	linear	mm		1mm SPACING SMT CONNECTOR			
B	J06-0413	H.T	10/4/06	±5'		scale X		(Cat.No. HFW__R-2STBE1LF)			
				dr	engr	FCJ		dwg no		sheet 1 of 1 size	
				chr	appd			JSA 96788		A4	
sheet index		revision sheet		B 1				type Product Customer Drawing		Rev. B	

SC-HFWR 03 JSA96783
form: A4

RECOMMENDED CABLE (FPC)

n : NO. OF CONDUCTORS



PT. NO.	DESCRIPTION	MATERIAL	THICKNESS (μm)
1	BASE FILM	POLYIMIDE OR POLYESTER OR EQUIVALENT	25
2	CONDUCTOR	COPPER FOIL(PLATING : GOLD)	35
3	OVERLAY	POLYIMIDE OR POLYESTER OR EQUIVALENT	—
4	SUPPORTING TAPE	POLYESTER OR POLYIMIDE OR EQUIVALENT	188

NOTES

1. NO BURR AT EACH PORTION.
2. NO PEELING IN COMMON USE.
3. TOTAL THICKNESS LIMIT OF EACH MATERIAL (INCLUDING ADHESIVE AGENT) IS SPECIFIED.

mat'l. code				surface 5B ISO 1302 ✓		tolerance ISO 406 ISO 1101		projection mm		product family 58NF		CODE JP		
ltr	ecn no	dr	date	tolerances, unless otherwise specified				mm		title				
A	J05-0653	H.T	10/12/05	angles	linear			mm		RECOMMENDED CABLE				
B	J06-0078	H.T	3/1/06					mm		HFW__R-1/2STB__				
C	J06-0413	H.T	10/4/06					scale X						
				dr	10/4/06				dwg no		sheet 1 of 1		size	
				enrg	10/4/06				JSA 96789		A4			
				chr	10/12/06				type		Product Customer Drawing			
				appd	10/12/06									
sheet index	revision sheet	C	1									Rev. C		

form: A4



Компания «ЭлектроПласт» предлагает заключение долгосрочных отношений при поставках импортных электронных компонентов на взаимовыгодных условиях!

Наши преимущества:

- Оперативные поставки широкого спектра электронных компонентов отечественного и импортного производства напрямую от производителей и с крупнейших мировых складов;
- Поставка более 17-ти миллионов наименований электронных компонентов;
- Поставка сложных, дефицитных, либо снятых с производства позиций;
- Оперативные сроки поставки под заказ (от 5 рабочих дней);
- Экспресс доставка в любую точку России;
- Техническая поддержка проекта, помощь в подборе аналогов, поставка прототипов;
- Система менеджмента качества сертифицирована по Международному стандарту ISO 9001;
- Лицензия ФСБ на осуществление работ с использованием сведений, составляющих государственную тайну;
- Поставка специализированных компонентов (Xilinx, Altera, Analog Devices, Intersil, Interpoint, Microsemi, Aeroflex, Peregrine, Syfer, Eurofarad, Texas Instrument, Miteq, Cobham, E2V, MA-COM, Hittite, Mini-Circuits, General Dynamics и др.);

Помимо этого, одним из направлений компании «ЭлектроПласт» является направление «Источники питания». Мы предлагаем Вам помощь Конструкторского отдела:

- Подбор оптимального решения, техническое обоснование при выборе компонента;
- Подбор аналогов;
- Консультации по применению компонента;
- Поставка образцов и прототипов;
- Техническая поддержка проекта;
- Защита от снятия компонента с производства.



Как с нами связаться

Телефон: 8 (812) 309 58 32 (многоканальный)

Факс: 8 (812) 320-02-42

Электронная почта: org@eplast1.ru

Адрес: 198099, г. Санкт-Петербург, ул. Калинина, дом 2, корпус 4, литера А.