

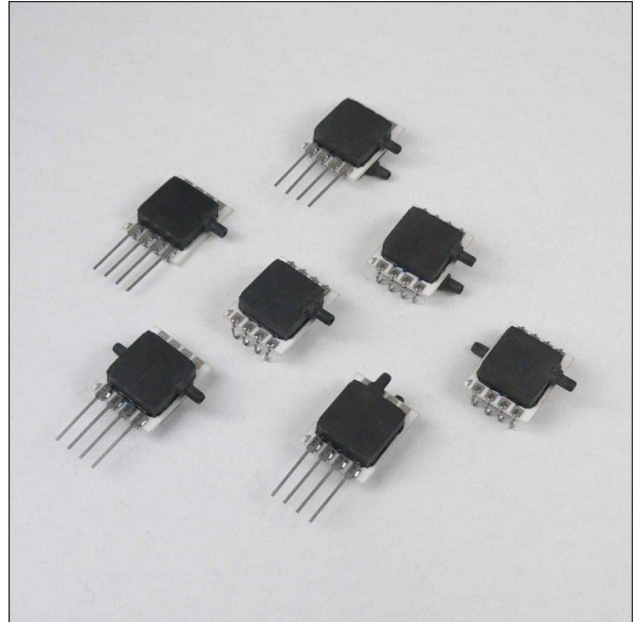


# HCLA Series

## Miniature amplified low pressure sensors

### FEATURES

- 0 ... 2.5 to 0 ... 75 mbar, 0 ...  $\pm 2.5$  to 0 ...  $\pm 75$  mbar, differential or gage
- Output: 0.25...4.25 V and I<sup>2</sup>C-bus (SPI and switching outputs optional)
- Precision ASIC conditioning
- Calibrated and temperature compensated
- Matched pressure port volumes
- Miniature SMT and SIL housings
- RoHS compliant
- Sensortronics PRO services



### SPECIFICATIONS

#### Maximum ratings

Supply voltage  $V_s$  4.5 V ... 5.5  $V_{DC}$   
(optional 2.7 ... 3.3  $V_{DC}$ )

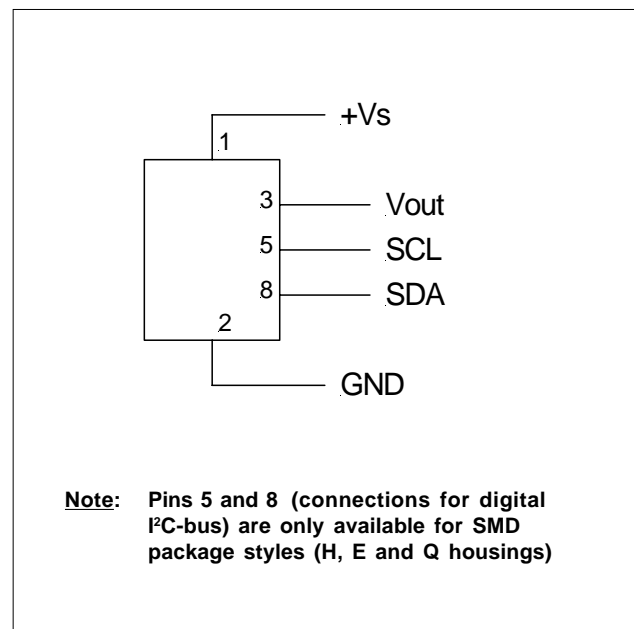
Output current  
Sink 1 mA  
Source 1 mA

Lead specifications  
Average preheating temperature gradient 2.5 K/s  
Soak time ca. 3 min  
Time above 217°C 50 s  
Time above 230°C 40 s  
Time above 250°C 15 s  
Peak temperature 260°C  
Cooling temperature gradient -3.5 K/s

Temperature ranges  
Compensated -25 ... 85°C  
Operating -25 ... 85°C  
Storage -40 ... 125°C

Humidity limits (non-condensing) 0 ... 95 %RH

### ELECTRICAL CONNECTION





# HCLA Series

## Miniature amplified low pressure sensors

### PRESSURE SENSOR CHARACTERISTICS

( $V_s = 5.0\text{ V}$ ,  $T_A = 25\text{ °C}$ , analog output signal is **ratiometric** to  $V_s$ , digital output signal is **not ratiometric** to  $V_s$ , pressure applied to high pressure port)

Part no.	Operating pressure	Proof pressure <sup>5,7</sup>	Burst pressure <sup>6,7</sup>	Output signal
HCLA02X5...B	0...±2.5 mbar	250 mbar	500 mbar	2.25 ±2 V
HCLA12X5...B	0...±12.5 mbar	250 mbar	500 mbar	
HCLA0025...B	0...±25 mbar	500 mbar	750 mbar	
HCLA0050...B	0...±50 mbar	750 mbar	1200 mbar	
HCLA0075...B	0...±75 mbar	1200 mbar	2000 mbar	
HCLA02X5...U	0...2.5 mbar	250 mbar	500 mbar	0.25 - 4.25 V
HCLA12X5...U	0...12.5 mbar	250 mbar	500 mbar	
HCLA0025...U	0...25 mbar	500 mbar	750 mbar	
HCLA0050...U	0...50 mbar	750 mbar	1200 mbar	
HCLA0075...U	0...75 mbar	1200 mbar	2000 mbar	

#### Specification notes:

1. Shift is relative to 25°C.
2. Shift is within the first hour of excitation applied to the device.
3. Non-linearity refers to the **Best Straight Line** fit, measured for lowest specified pressure, highest specified pressure and 1/2 full scale pressure.
4. Full Scale Span (FSS) is the algebraic difference between the output signal for the highest and lowest highest pressure.
5. Proof pressure is the maximum pressure which may be applied without causing durable shifts of the electrical parameters of the sensing element.
6. Burst pressure is the maximum pressure which may be applied without causing damage to the sensing element or leaks to the housing.
7. The common mode pressure for the HCLA series is 2 bar. Common mode pressure is the maximum pressure that can be applied to both ports of a differential pressure sensor simultaneously without damaging the sensor housing.
8. Max. delay time between pressure change at the pressure die and signal change at the output.
9. The response time depends on the adjusted internal A/D resolution of the sensor. For 12 bit it is typ. 0.5 ms. Other A/D resolutions and response times are available on request. Please contact Sensortechincs for further information.
10. Sensors with lower current consumption are available on request. Please contact Sensortechincs for further information.



# HCLA Series

## Miniature amplified low pressure sensors

### PERFORMANCE CHARACTERISTICS

( $V_s = 5.0\text{ V}$ ,  $T_A = 25\text{ }^\circ\text{C}$ , analog output signal is **ratiometric** to  $V_s$ , digital output signal is **not ratiometric** to  $V_s$ , pressure applied to high pressure port)

#### HCLA02X5...

Characteristics	Min.	Typ.	Max.	Unit
Non-linearity and hysteresis (BSL) <sup>3</sup>		±0.05	±0.25	%FSS
Thermal effects (-25 to 85°C) <sup>1</sup>	Offset		±1.5	
	Span		±2.0	
Response delay <sup>8, 9</sup>		0.5		ms
A/D resolution <sup>9</sup>		12		bit
D/A resolution			11	
Current consumption (no load) <sup>10</sup>		5		mA
<b>DIGITAL PERFORMANCE CHARACTERISTICS</b>				
Offset warm-up shift <sup>2</sup>		±0042		Count Hex
Offset position sensitivity (±1 g)		±0063		
Offset long term drift (one year)		±0042		
<b>ANALOGUE PERFORMANCE CHARACTERISTICS</b>				
Offset warm-up shift <sup>2</sup>		±10		mV
Offset position sensitivity (±1 g)		±15		
Offset long term drift (one year)		±10		

#### HCLA02X5...B

Characteristics	Min.	Typ.	Max.	Unit
Operating pressure range	-2.5		+2.5	mbar
<b>DIGITAL PERFORMANCE CHARACTERISTICS</b>				
Zero pressure offset	370A	3999	3C28	Count Hex
Full scale span (FSS) <sup>4</sup>	63D6	6666	68F5	
Output	at +2.5 mbar	6CCC		
	at -2.5 mbar	0666		
<b>ANALOGUE PERFORMANCE CHARACTERISTICS</b>				
Zero pressure offset	2.15	2.25	2.35	V
Full scale span (FSS) <sup>4</sup>	3.90	4.00	4.10	
Output	at +2.5 mbar	4.25		
	at -2.5 mbar	0.25		

#### HCLA02X5...U

Characteristics	Min.	Typ.	Max.	Unit
Operating pressure range	0		+2.5	mbar
<b>DIGITAL PERFORMANCE CHARACTERISTICS</b>				
Zero pressure offset	03D7	0666	08F6	Count Hex
Full scale span (FSS) <sup>4</sup>	63D6	6666	68F5	
<b>ANALOGUE PERFORMANCE CHARACTERISTICS</b>				
Zero pressure offset	0.15	0.25	0.35	V
Full scale span (FSS) <sup>4</sup>	3.90	4.00	4.10	



# HCLA Series

## Miniature amplified low pressure sensors

### PERFORMANCE CHARACTERISTICS (cont.)

( $V_s = 5.0\text{ V}$ ,  $T_A = 25\text{ }^\circ\text{C}$ , analog output signal is **ratiometric** to  $V_s$ , digital output signal is **not ratiometric** to  $V_s$ , pressure applied to high pressure port)

#### HCLA12X5...

Characteristics	Min.	Typ.	Max.	Unit
Non-linearity and hysteresis (BSL) <sup>3</sup>		±0.05	±0.25	%FSS
Thermal effects (-25 to 85°C) <sup>1</sup>	Offset		±1.0	
	Span		±1.0	
Response delay <sup>8, 9</sup>		0.5		ms
A/D resolution <sup>9</sup>		12		bit
D/A resolution			11	
Current consumption (no load) <sup>10</sup>		5		mA
DIGITAL PERFORMANCE CHARACTERISTICS				
Offset warm-up shift <sup>2</sup>		±0021		Count Hex
Offset position sensitivity (±1 g)		±0021		
Offset long term drift (one year)		±0021		
ANALOGUE PERFORMANCE CHARACTERISTICS				
Offset warm-up shift <sup>2</sup>		±5		mV
Offset position sensitivity (±1 g)		±5		
Offset long term drift (one year)		±5		

#### HCLA12X5...B

Characteristics	Min.	Typ.	Max.	Unit
Operating pressure range	-12.5		+12.5	mbar
DIGITAL PERFORMANCE CHARACTERISTICS				
Zero pressure offset	370A	3999	3C28	Count Hex
Full scale span (FSS) <sup>4</sup>	63D6	6666	68F5	
Output	at +12.5 mbar	6CCC		
	at -12.5 mbar	0666		
ANALOGUE PERFORMANCE CHARACTERISTICS				
Zero pressure offset	2.15	2.25	2.35	V
Full scale span (FSS) <sup>4</sup>	3.90	4.00	4.10	
Output	at +12.5 mbar	4.25		
	at -12.5 mbar	0.25		

#### HCLA12X5...U

Characteristics	Min.	Typ.	Max.	Unit
Operating pressure range	0		+12.5	mbar
DIGITAL PERFORMANCE CHARACTERISTICS				
Zero pressure offset	03D7	0666	08F6	Count Hex
Full scale span (FSS) <sup>4</sup>	63D6	6666	68F5	
ANALOGUE PERFORMANCE CHARACTERISTICS				
Zero pressure offset	0.15	0.25	0.35	V
Full scale span (FSS) <sup>4</sup>	3.90	4.00	4.10	



# HCLA Series

## Miniature amplified low pressure sensors

### PERFORMANCE CHARACTERISTICS (cont.)

( $V_s = 5.0\text{ V}$ ,  $T_A = 25\text{ °C}$ , analog output signal is **rationometric** to  $V_s$ , digital output signal is **not rationometric** to  $V_s$ , pressure applied to high pressure port)

#### HCLA0025...

Characteristics	Min.	Typ.	Max.	Unit
Non-linearity and hysteresis (BSL) <sup>3</sup>		±0.05	±0.25	%FSS
Thermal effects (-25 to 85°C) <sup>1</sup>	Offset		±0.5	
	Span		±1.0	
Response delay <sup>8, 9</sup>		0.5		ms
A/D resolution <sup>9</sup>		12		bit
D/A resolution			11	
Current consumption (no load) <sup>10</sup>		5		mA
<b>DIGITAL PERFORMANCE CHARACTERISTICS</b>				
Offset warm-up shift <sup>2</sup>		±0021		Count Hex
Offset position sensitivity (±1 g)		±0021		
Offset long term drift (one year)		±0021		
<b>ANALOGUE PERFORMANCE CHARACTERISTICS</b>				
Offset warm-up shift <sup>2</sup>		±5		mV
Offset position sensitivity (±1 g)		±5		
Offset long term drift (one year)		±5		

#### HCLA0025...B

Characteristics	Min.	Typ.	Max.	Unit
Operating pressure range	-25		+25	mbar
<b>DIGITAL PERFORMANCE CHARACTERISTICS</b>				
Zero pressure offset	370A	3999	3C28	Count Hex
Full scale span (FSS) <sup>4</sup>	63D6	6666	68F5	
Output	at +25 mbar	6CCC		
	at -25 mbar	0666		
<b>ANALOGUE PERFORMANCE CHARACTERISTICS</b>				
Zero pressure offset	2.15	2.25	2.35	V
Full scale span (FSS) <sup>4</sup>	3.90	4.00	4.10	
Output	at +25 mbar	4.25		
	at -25 mbar	0.25		

#### HCLA0025...U

Characteristics	Min.	Typ.	Max.	Unit
Operating pressure range	0		+25	mbar
<b>DIGITAL PERFORMANCE CHARACTERISTICS</b>				
Zero pressure offset	03D7	0666	08F6	Count Hex
Full scale span (FSS) <sup>4</sup>	63D6	6666	68F5	
<b>ANALOGUE PERFORMANCE CHARACTERISTICS</b>				
Zero pressure offset	0.15	0.25	0.35	V
Full scale span (FSS) <sup>4</sup>	3.90	4.00	4.10	



# HCLA Series

## Miniature amplified low pressure sensors

### PERFORMANCE CHARACTERISTICS (cont.)

( $V_s = 5.0\text{ V}$ ,  $T_A = 25\text{ °C}$ , analog output signal is **ratiometric** to  $V_s$ , digital output signal is **not ratiometric** to  $V_s$ , pressure applied to high pressure port)

#### HCLA0050...

Characteristics	Min.	Typ.	Max.	Unit
Non-linearity and hysteresis (BSL) <sup>3</sup>		±0.05	±0.25	%FSS
Thermal effects (-25 to 85°C) <sup>1</sup>	Offset		±0.5	
	Span		±1.0	
Response delay <sup>8,9</sup>		0.5		ms
A/D resolution <sup>9</sup>		12		bit
D/A resolution			11	
Current consumption (no load) <sup>10</sup>		5		mA
DIGITAL PERFORMANCE CHARACTERISTICS				
Offset warm-up shift <sup>2</sup>		±0021		Count Hex
Offset position sensitivity (±1 g)		±0021		
Offset long term drift (one year)		±0021		
ANALOGUE PERFORMANCE CHARACTERISTICS				
Offset warm-up shift <sup>2</sup>		±5		mV
Offset position sensitivity (±1 g)		±5		
Offset long term drift (one year)		±5		

#### HCLA0050...B

Characteristics	Min.	Typ.	Max.	Unit
Operating pressure range	-50		+50	mbar
DIGITAL PERFORMANCE CHARACTERISTICS				
Zero pressure offset	370A	3999	3C28	Count Hex
Full scale span (FSS) <sup>4</sup>	63D6	6666	68F5	
Output	at +50 mbar	6CCC		
	at -50 mbar	0666		
ANALOGUE PERFORMANCE CHARACTERISTICS				
Zero pressure offset	2.15	2.25	2.35	V
Full scale span (FSS) <sup>4</sup>	3.90	4.00	4.10	
Output	at +50 mbar	4.25		
	at -50 mbar	0.25		

#### HCLA0050...U

Characteristics	Min.	Typ.	Max.	Unit
Operating pressure range	0		+50	mbar
DIGITAL PERFORMANCE CHARACTERISTICS				
Zero pressure offset	03D7	0666	08F6	Count Hex
Full scale span (FSS) <sup>4</sup>	63D6	6666	68F5	
ANALOGUE PERFORMANCE CHARACTERISTICS				
Zero pressure offset	0.15	0.25	0.35	V
Full scale span (FSS) <sup>4</sup>	3.90	4.00	4.10	



# HCLA Series

## Miniature amplified low pressure sensors

### PERFORMANCE CHARACTERISTICS (cont.)

( $V_s = 5.0\text{ V}$ ,  $T_A = 25\text{ }^\circ\text{C}$ , analog output signal is **ratiometric** to  $V_s$ , digital output signal is **not ratiometric** to  $V_s$ , pressure applied to high pressure port)

#### HCLA0075...

Characteristics	Min.	Typ.	Max.	Unit
Non-linearity and hysteresis (BSL) <sup>3</sup>		±0.05	±0.25	%FSS
Thermal effects (-25 to 85°C) <sup>1</sup>	Offset		±0.5	
	Span		±1.0	
Response delay <sup>8, 9</sup>		0.5		ms
A/D resolution <sup>9</sup>		12		bit
D/A resolution			11	
Current consumption (no load) <sup>10</sup>		5		mA
DIGITAL PERFORMANCE CHARACTERISTICS				
Offset warm-up shift <sup>2</sup>		±0021		Count Hex
Offset position sensitivity (±1 g)		±0021		
Offset long term drift (one year)		±0021		
ANALOGUE PERFORMANCE CHARACTERISTICS				
Offset warm-up shift <sup>2</sup>		±5		mV
Offset position sensitivity (±1 g)		±5		
Offset long term drift (one year)		±5		

#### HCLA0075...B

Characteristics	Min.	Typ.	Max.	Unit
Operating pressure range	-75		+75	mbar
DIGITAL PERFORMANCE CHARACTERISTICS				
Zero pressure offset	370A	3999	3C28	Count Hex
Full scale span (FSS) <sup>4</sup>	63D6	6666	68F5	
Output	at +75 mbar	6CCC		
	at -75 mbar	0666		
ANALOGUE PERFORMANCE CHARACTERISTICS				
Zero pressure offset	2.15	2.25	2.35	V
Full scale span (FSS) <sup>4</sup>	3.90	4.00	4.10	
Output	at +75 mbar	4.25		
	at -75 mbar	0.25		

#### HCLA0075...U

Characteristics	Min.	Typ.	Max.	Unit
Operating pressure range	0		+75	mbar
DIGITAL PERFORMANCE CHARACTERISTICS				
Zero pressure offset	03D7	0666	08F6	Count Hex
Full scale span (FSS) <sup>4</sup>	63D6	6666	68F5	
ANALOGUE PERFORMANCE CHARACTERISTICS				
Zero pressure offset	0.15	0.25	0.35	V
Full scale span (FSS) <sup>4</sup>	3.90	4.00	4.10	





### I<sup>2</sup>C BUS

#### Introduction

The HCLA is capable to generate a digital output signal. The device runs a cyclic program, which will store a corrected pressure value with 12 bit resolution about every 250 μs within the output registers of the internal ASIC. In order to use the sensor for digital signal readout, it should be connected to a bidirectional I<sup>2</sup>C-bus.

According to the I<sup>2</sup>C-bus specification, the bus is controlled by a master device, which generates the clock signal, controls the bus access and generates START and STOP conditions. The HCLA is designed to work as a slave, hence it will only respond to requests from a master device.

#### Digital I<sup>2</sup>C interface

The HCLA complies with the following protocol (Fig. 1):

**Bus not busy:** During idle periods both data line (SDA) and clock line (SCL) remain HIGH.

**START condition (S):** HIGH to LOW transition of SDA line while clock (SCL) is HIGH is interpreted as START condition. START conditions are always generated by the master. Each initial request for a pressure value has to begin with a START condition.

**STOP condition (P):** LOW to HIGH transition of SDA line while clock (SCL) is HIGH determines STOP condition. STOP conditions are always generated by the master. More than one request for the current pressure value can be transmitted without generation of intermediate STOP condition.

**DATA valid (D):** State of data line represents valid data when, after START condition, data line is stable for duration of HIGH period of clock signal. Data on line must be changed during LOW period of clock signal. There is one clock pulse per bit of data.

**Acknowledge (A):** Data is transferred in pieces of 8 bits (1 byte) on serial bus, MSB first. After each byte receiving device – whether master or slave – is obliged to pull data line LOW as acknowledge for reception of data. Master must generate an extra clock pulse for this purpose. When acknowledge is missed, slave transmitter becomes inactive. It is on master either to send last command again or to generate STOP condition in that case.

**Slave address:** The I<sup>2</sup>C-bus master-slave concept requires a unique address for each device. The HCLA has a preconfigured slave address (1111000xb). By factory programming it is possible to define a secondary slave address additional to the general one. According to I<sup>2</sup>C specification 127 different addresses are available. The sensor will then listen to both slave addresses. After generating a START condition the master sends the address byte containing a 7 bit address followed by a data direction bit (R/W). A "0" indicates a transmission from master to slave (WRITE), a "1" indicates a data request (READ).

**DATA operation:** The sensor starts to send 2 data bytes containing the current pressure value as a 15 bit information placed in the output registers.

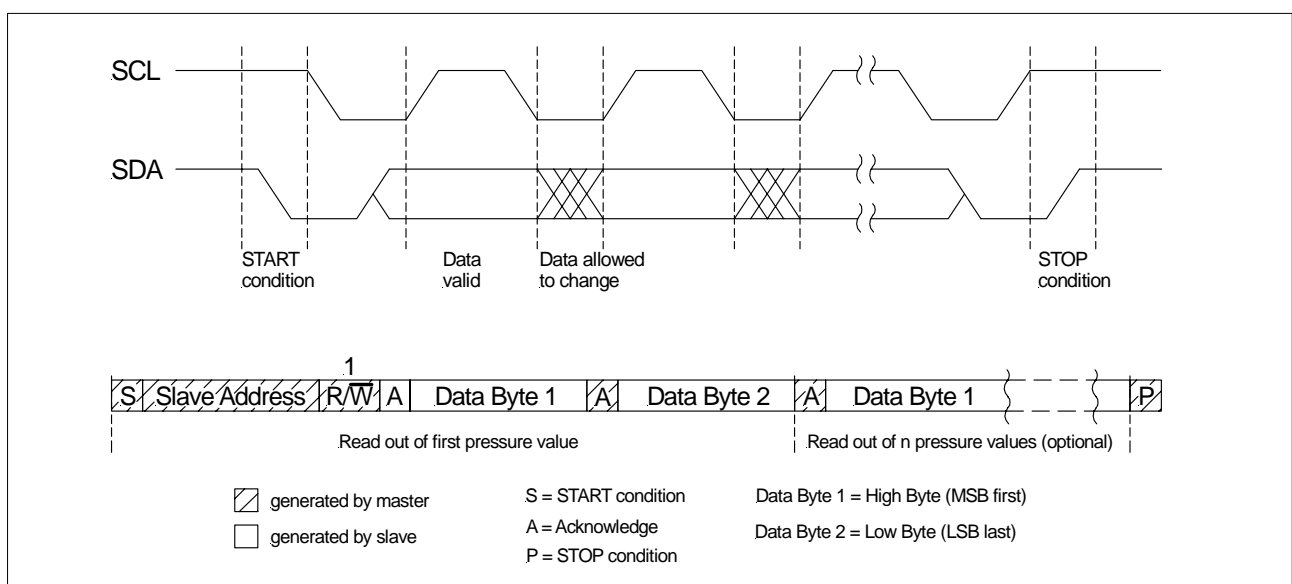


Fig. 1: I<sup>2</sup>C bus protocol





# HCLA Series

## Miniature amplified low pressure sensors

### I<sup>2</sup>C Interface Parameters

Parameter	Symbol	Min.	Typ.	Max.	Unit
Input high level		90		100	% of Vs
Input low level		0		10	
Output low level				10	
Pull-up resistor		500			Ω
Load capacitance @ SDA	$C_{SDA}$			400	pF
Input capacitance @ SDA/SCL	$C_{I2C\_IN}$			10	
SCL clock frequency	$F_{SCL}$	100*		400	kHz
Bus free time between STOP and START condition	$t_{BUF}$	1.3			μs
Hold time (repeated) START condition, to first clock pulse	$t_{HD,STA}$	0.8			
LOW period of SCL	$t_{LOW}$	1.3			
HIGH period of SCL	$t_{HIGH}$	0.6			
Setup time repeated START condition	$t_{SU,STA}$	1			
Data hold time	$t_{HD,DAT}$	0			
Data setup time	$t_{SU,DAT}$	0.2			
Rise time of both SDA and SCL	$t_R$			0.3	
Fall time of both SDA and SCL	$t_F$			0.3	
Setup time for STOP condition	$t_{SU,STO}$	0.6			

\* recommended

**Note:** Sensortronics recommends communication speeds of at least 100 kHz (max. 400 kHz). Please contact your nearest Sensortronics sales office for further information.

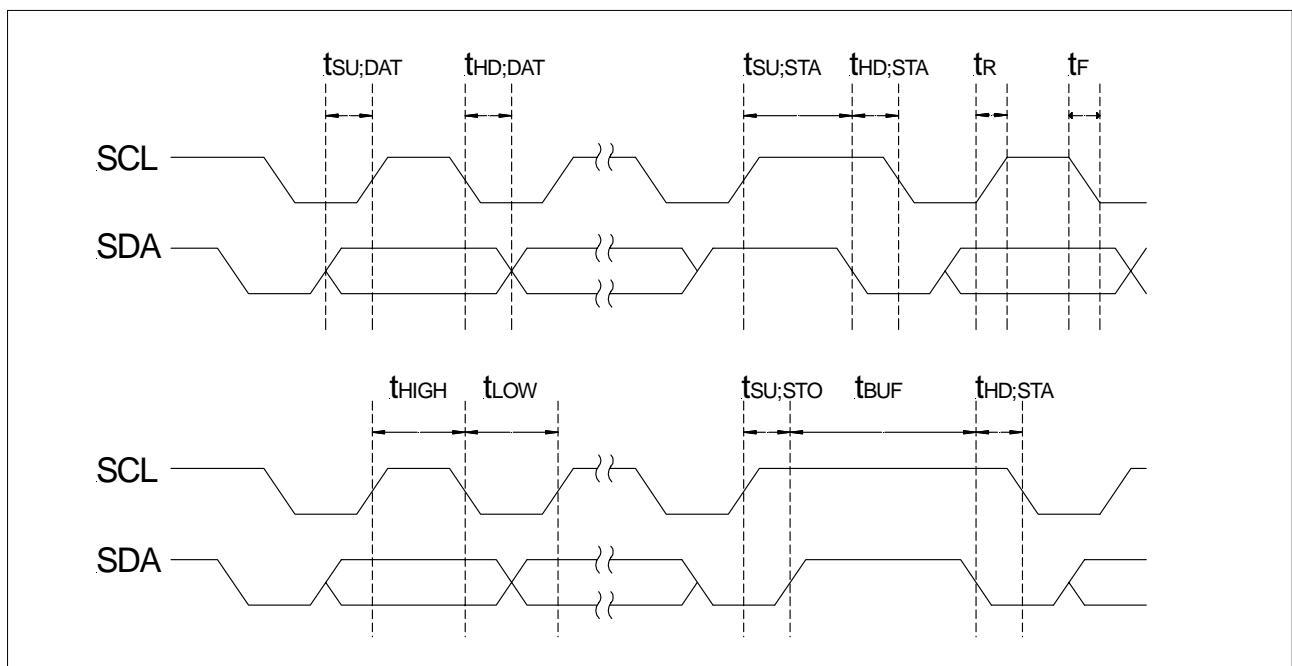


Fig. 2: Timing characteristics



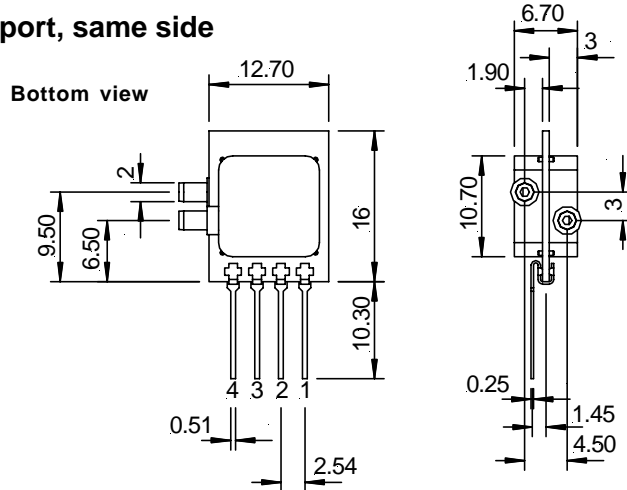
# HCLA Series

## Miniature amplified low pressure sensors

### PHYSICAL DIMENSIONS AND ELECTRICAL CONNECTIONS

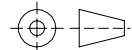
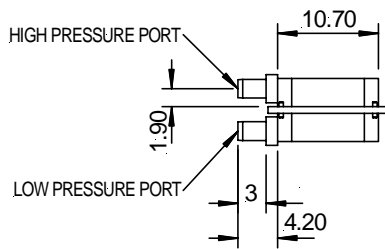
#### HCLA...D...

Package: dual port, same side



Pin	Connection
1	+Vs
2	GND
3	Vout
4	I / C*

\* Internal connection.  
Do not connect for any reason

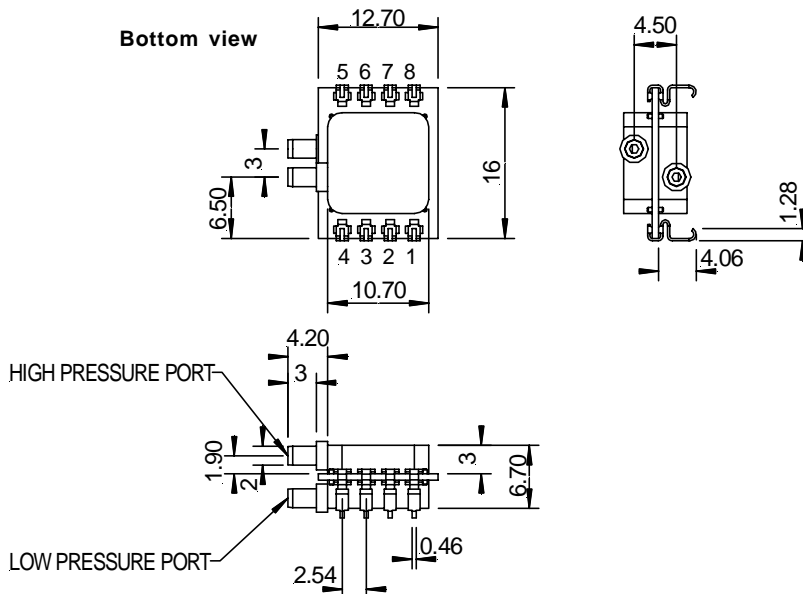


third angle projection

dimensions in mm

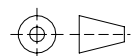
#### HCLA...E...

Package: SMD dual port, same side



Pin	Connection
1	+Vs
2	GND
3	Vout
4	I / C *
5	SCL
6	I / C *
7	
8	SDA

\* Internal connection.  
Do not connect for any reason



third angle projection

dimensions in mm



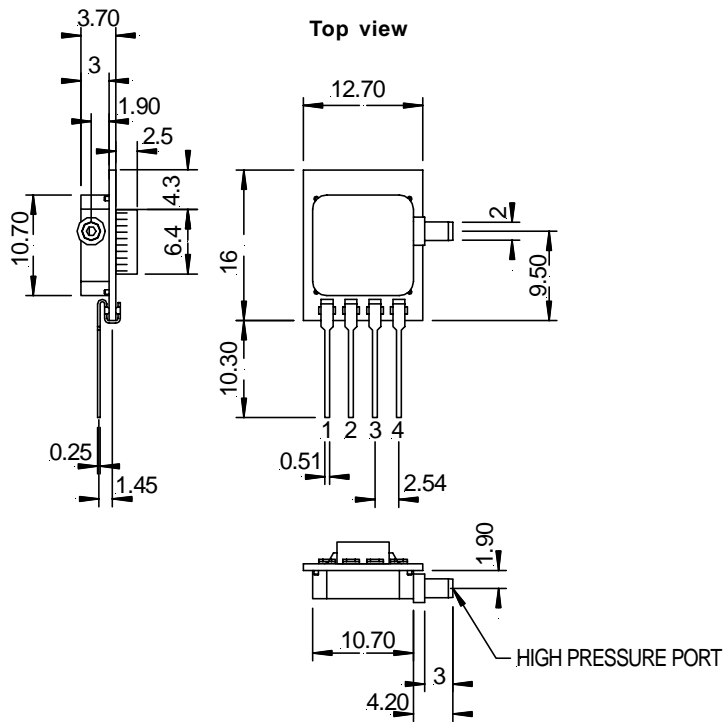
# HCLA Series

## Miniature amplified low pressure sensors

### PHYSICAL DIMENSIONS AND ELECTRICAL CONNECTIONS (cont.)

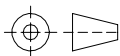
HCLA...G...

Package: single port



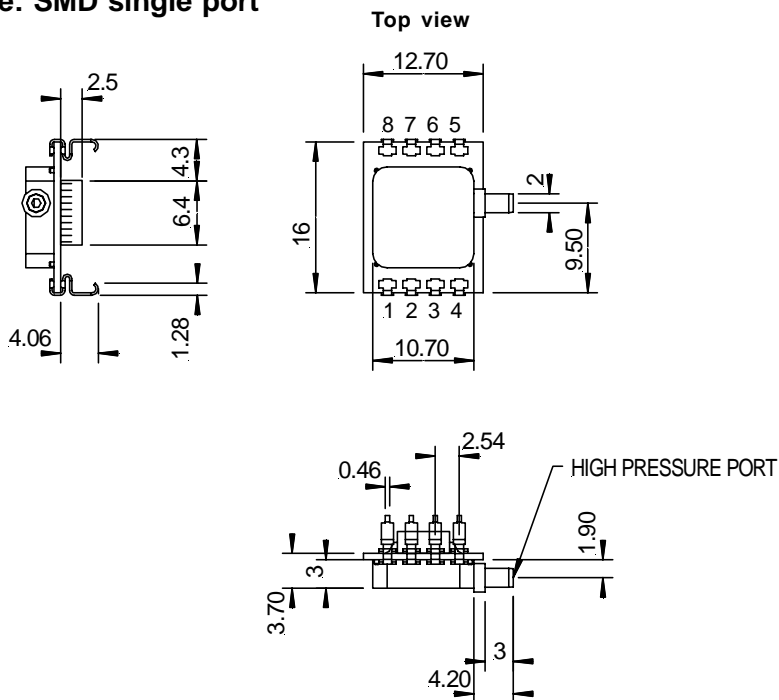
Pin	Connection
1	+Vs
2	GND
3	Vout
4	I / C*

\* Internal connection.  
Do not connect for any reason

  
third angle projection  
dimensions in mm

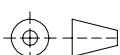
HCLA...H...

Package: SMD single port



Pin	Connection
1	+Vs
2	GND
3	Vout
4	I / C *
5	SCL
6	I / C *
7	
8	SDA

\* Internal connection.  
Do not connect for any reason

  
third angle projection  
dimensions in mm



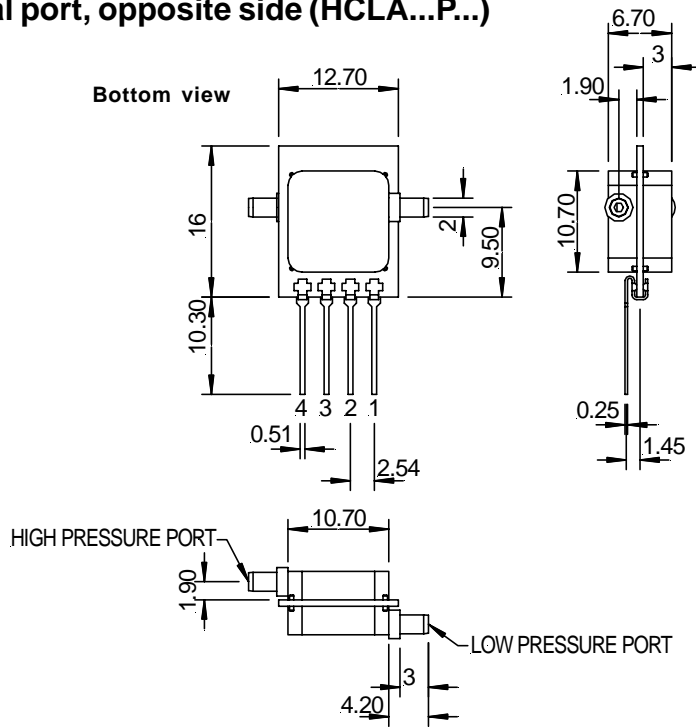
# HCLA Series

## Miniature amplified low pressure sensors

### HOUSING OPTIONS

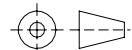
Different housing options are available on request. Please contact Sensortechinics.

#### Dual port, opposite side (HCLA...P...)



Pin	Connection
1	+Vs
2	GND
3	Vout
4	I / C*

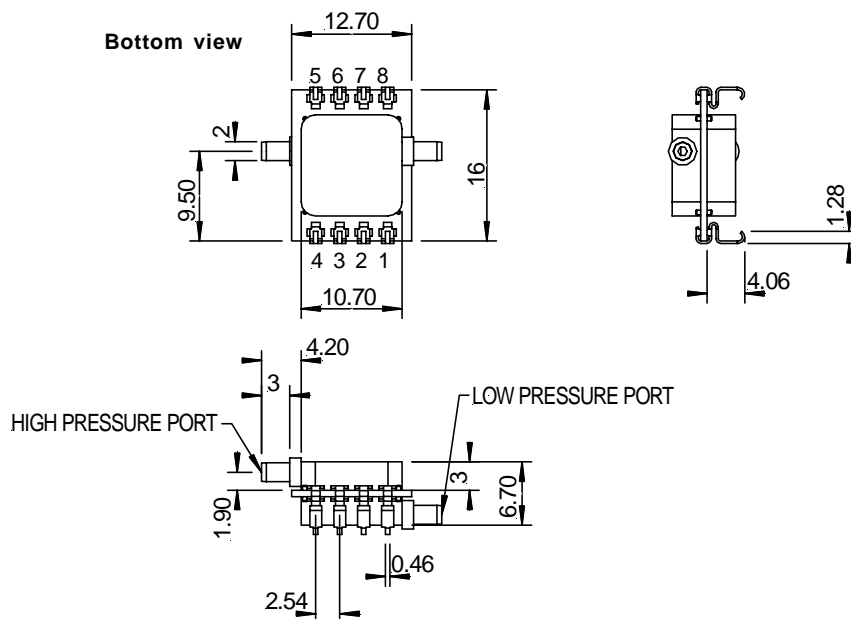
\* Internal connection.  
Do not connect for any reason



third angle projection

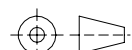
dimensions in mm

#### SMD dual port, opposite side (HCLA...Q...)



Pin	Connection
1	+Vs
2	GND
3	Vout
4	I / C *
5	SCL
6	I / C *
7	
8	SDA

\* Internal connection.  
Do not connect for any reason



third angle projection

dimensions in mm



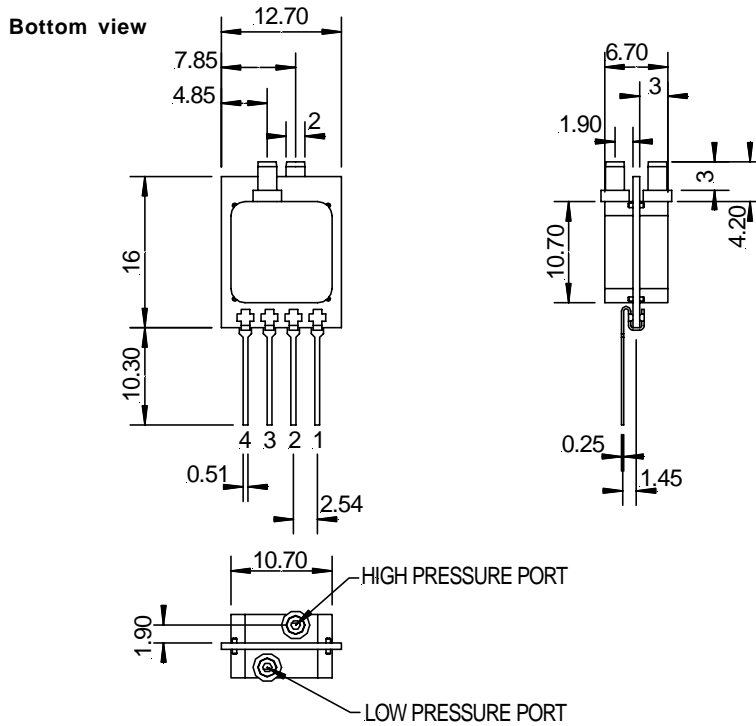
# HCLA Series

## Miniature amplified low pressure sensors

### HOUSING OPTIONS (cont.)

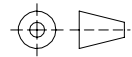
Different housing options are available on request. Please contact Sensortronics.

### Dual port, top side (HCL...T...)



Pin	Connection
1	+Vs
2	GND
3	Vout
4	I / C*

\* Internal connection.  
Do not connect for any reason



third angle projection  
dimensions in mm



# HCLA Series

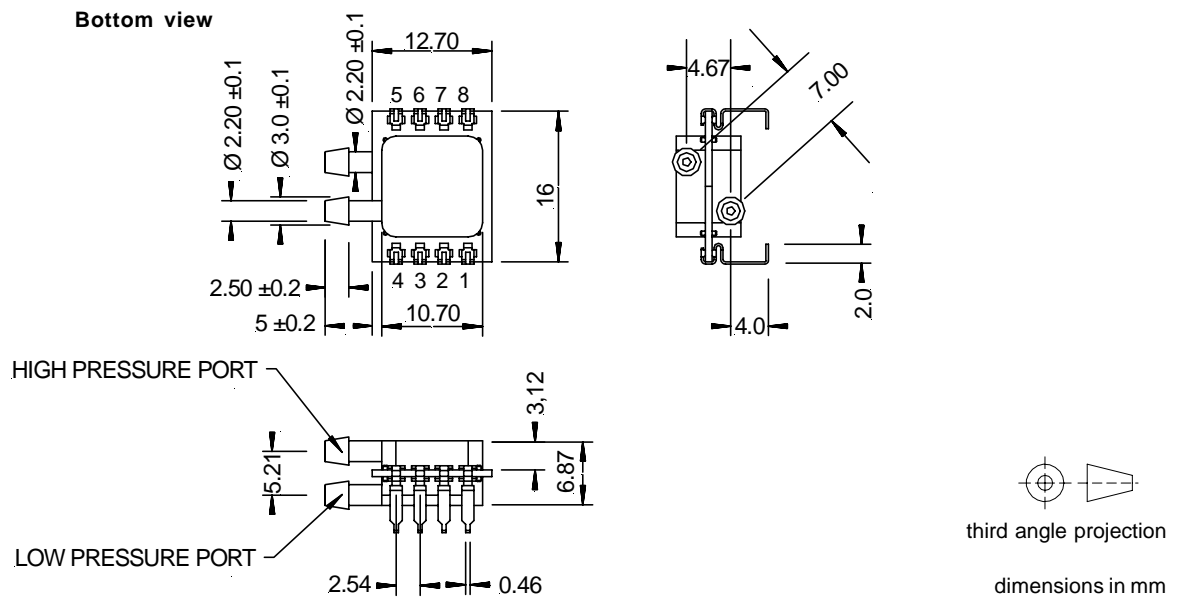
## Miniature amplified low pressure sensors

### HOUSING OPTIONS (cont.)

Different housing options are available on request. Please contact Sensortechincs.

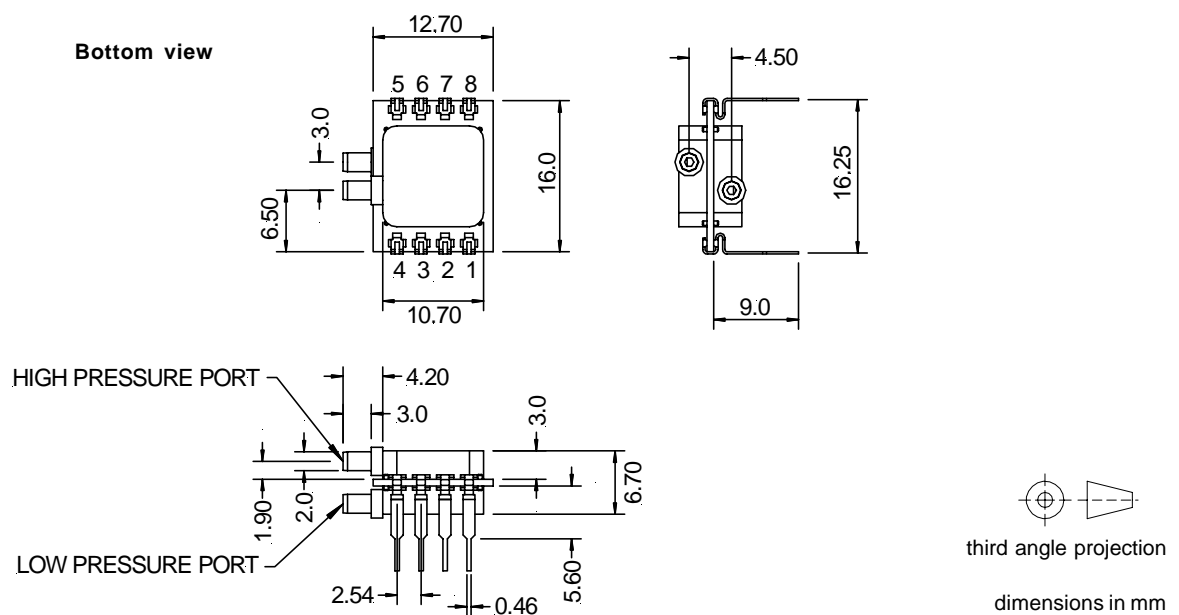
### Barbed pressure ports

(Available for all housing styles. Sample package shown: SMD dual port, same side)



### Dual Inline Packages (DIP)

(Available for all housing styles. Sample package shown: DIP dual port, same side)





# HCLA Series

## Miniature amplified low pressure sensors

### ORDERING INFORMATION

Options	Series	Pressure range		Housing		Calibration	
	HCLA	02X5	2.5 mbar	D*	Diff SIL same side	B	Bidirectional
		12X5	12.5 mbar	E	Diff SMD same side	U	Unidirectional
		0025	25 mbar	G*	Gage SIL		
		0050	50 mbar	H	Gage SMD		
		0075	75 mbar	(P)*	Diff SIL opposite side		
				(Q)	Diff SMD opposite side		
				(T)*	Diff SIL same top side		
				Housings P, Q, T available on request. Please contact Sensortechinics. * not available with digital output			
<b>Example:</b>	<b>HCLA</b>	<b>02X5</b>		<b>E</b>		<b>B</b>	

#### Custom specific pressure ranges and mechanical or electronic sensor modifications are widely available:

- up to 15 bit resolution
- 3 V power supply
- SPI, switching and custom specific outputs
- barbed pressure ports
- Dual Inline Packages (DIP)
- ... etc.

**Please contact your nearest Sensortechinics sales office for further information.**

#### Sensortechinics PRO services:

- Extended guarantee period of 2 years
- Custom product modifications and adaptations even for small quantities
- Advanced logistics models for supply inventory and short delivery times
- Technical support through application engineers on the phone or at your site
- Traceability of each sensor through serial numbers on request
- No product specification changes without customer notification
- No product obsolescence without very early prior notice
- Fastest possible technical response for design and QA engineers
- Long term product availability for your spares and service needs
- ... plus other services on request

Sensortechinics reserve the right to make changes to any products herein. Sensortechinics do not assume any liability arising out of the application or use of any product or circuit described herein, neither does it convey any license under its patent rights nor the rights of others.





Компания «ЭлектроПласт» предлагает заключение долгосрочных отношений при поставках импортных электронных компонентов на взаимовыгодных условиях!

Наши преимущества:

- Оперативные поставки широкого спектра электронных компонентов отечественного и импортного производства напрямую от производителей и с крупнейших мировых складов;
- Поставка более 17-ти миллионов наименований электронных компонентов;
- Поставка сложных, дефицитных, либо снятых с производства позиций;
- Оперативные сроки поставки под заказ (от 5 рабочих дней);
- Экспресс доставка в любую точку России;
- Техническая поддержка проекта, помощь в подборе аналогов, поставка прототипов;
- Система менеджмента качества сертифицирована по Международному стандарту ISO 9001;
- Лицензия ФСБ на осуществление работ с использованием сведений, составляющих государственную тайну;
- Поставка специализированных компонентов (Xilinx, Altera, Analog Devices, Intersil, Interpoint, Microsemi, Aeroflex, Peregrine, Syfer, Eurofarad, Texas Instrument, Miteq, Cobham, E2V, MA-COM, Hittite, Mini-Circuits, General Dynamics и др.);

Помимо этого, одним из направлений компании «ЭлектроПласт» является направление «Источники питания». Мы предлагаем Вам помощь Конструкторского отдела:

- Подбор оптимального решения, техническое обоснование при выборе компонента;
- Подбор аналогов;
- Консультации по применению компонента;
- Поставка образцов и прототипов;
- Техническая поддержка проекта;
- Защита от снятия компонента с производства.



#### Как с нами связаться

**Телефон:** 8 (812) 309 58 32 (многоканальный)

**Факс:** 8 (812) 320-02-42

**Электронная почта:** [org@eplast1.ru](mailto:org@eplast1.ru)

**Адрес:** 198099, г. Санкт-Петербург, ул. Калинина, дом 2, корпус 4, литера А.