



PRELIMINARY
FOR INFORMATION ONLY

00-9159-XXX-001-006

PREFIX _____

SERIES _____

NO. OF WAYS _____

CODE	NO. OF WAYS	DETAILS
002	2	SHEET 2
003	3	SHEET 3
004	4	SHEET 4
005	5	SHEET 5

SINGLE PART PCB STRIP CONNECTOR _____

CODE	DESCRIPTION
0	SINGLE PART PCB STRIP CONNECTOR

PCB THICKNESS _____

CODE	DESCRIPTION
01	PCB THICKNESS 1.60±0.15

ELCO EUROPE (A DIVISION OF AVX LTD.) CONFIDENTIAL PROPRIETARY
THE DRAWING ON THIS PRINT AND INFORMATION THEREWITH ARE
PROPRIETARY TO ELCO EUROPE (A DIVISION OF AVX LTD.) AND
SHALL NOT BE USED OR DISCUSSED IN WHOLE OR IN PART
WITHOUT ELCO EUROPE'S WRITTEN CONSENT.

COLOUR OPTION _____

CODE	INSULATOR COLOR
0	BLACK
1	WHITE

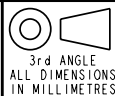
PLATING OPTION _____

CODE	CONTACT PLATING
06	PURE TIN ALL OVER

SHEET 1 OF 5

FORM-106-01-056-6 ISS 7

Release No.
History
102527



ELCO

© COPYRIGHT ELCO EUROPE
NOT TO BE DISCLOSED OR COPIED
WITHOUT WRITTEN PERMISSION

Drawn
N.C.H.

Description
9159 SINGLE PART - ORDERING CODE

DATE
06-Sept-04

Size
CV

Part Number
00-9159-01-000S

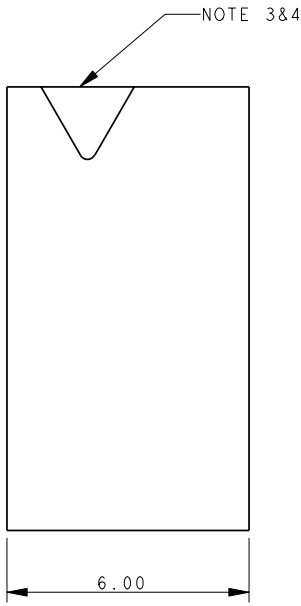
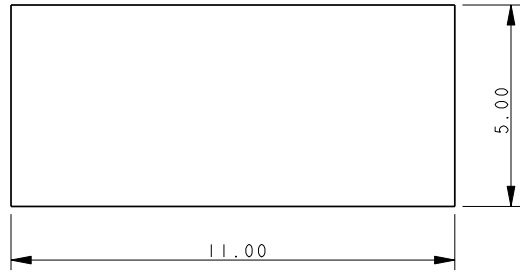
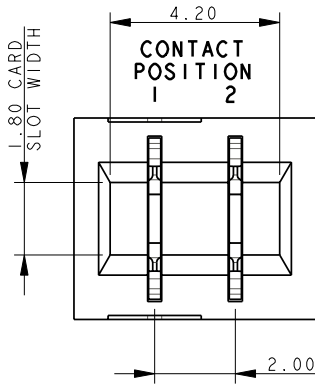
Issue
C

A

I

B

2 WAY SINGLE PART PCB STRIP CONNECTOR

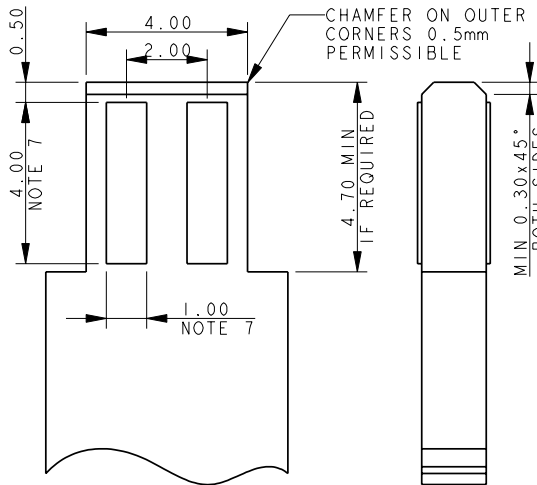


NOTES:

1. FOR MORE INFORMATION REFER TO PRODUCT SPEC 201-01-118.
2. DIMENSIONS ARE REFERENCE DIMENSIONS UNLESS TOLERANCED.
3. ARROW TO INDICATE CONTACT POSITION 1.
4. PCB MUST BE INSERTED FROM THE ARROW SIDE FIRST.
5. INSULATOR MATERIAL :- NYLON 46, UL94 HB, COLOUR SEE SHEET 1.
6. CONTACT MATERIAL :- COPPER ALLOY, TIN PLATED ALL OVER.
7. PCB PAD, TIN PLATED.

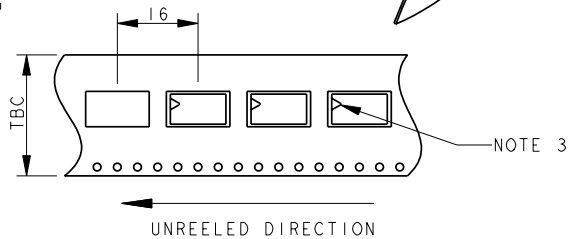
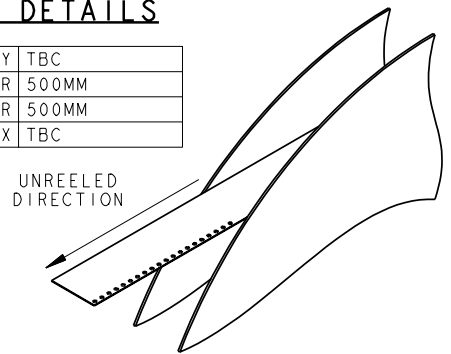
ELCO EUROPE (A DIVISION OF AVX LTD.) CONFIDENTIAL PROPRIETARY THE DRAWING ON THIS PRINT AND INFORMATION THEREWITH ARE PROPRIETARY TO ELCO EUROPE (A DIVISION OF AVX LTD.) AND SHALL NOT BE USED OR DISCUSSED IN WHOLE OR IN PART WITHOUT ELCO EUROPE'S WRITTEN CONSENT.

2 WAY PCB BOARD LAYOUT THICKNESS 1.60±0.15

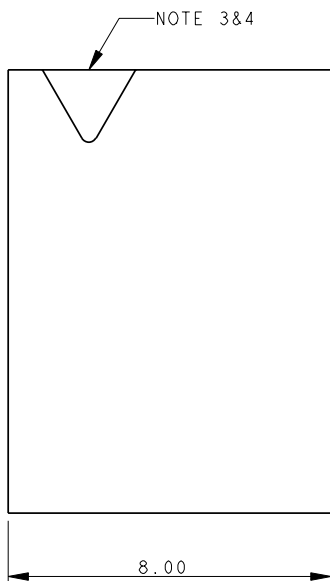
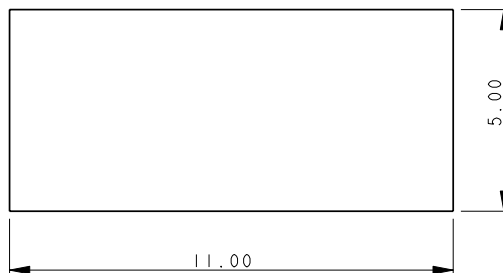
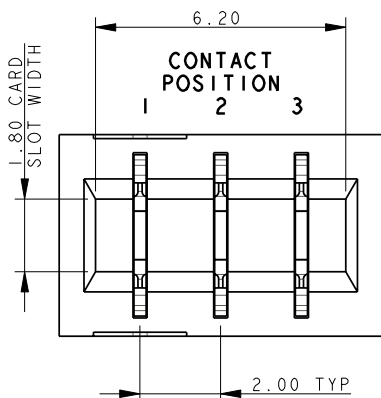


PACKING DETAILS

REEL QTY	TBC
LEADER	500MM
TRAILER	500MM
REELS PER BOX	TBC



3 WAY SINGLE PART PCB STRIP CONNECTOR



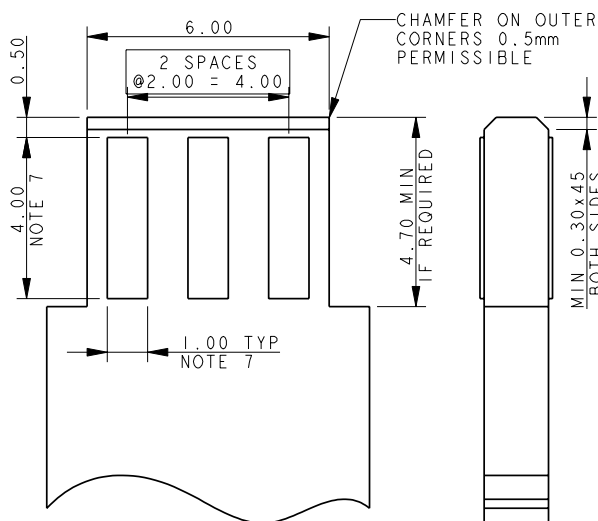
NOTES:

1. FOR MORE INFORMATION REFER TO PRODUCT SPEC 201-01-118.
2. DIMENSIONS ARE REFERENCE DIMENSIONS UNLESS TOLERANCED.
3. ARROW TO INDICATE CONTACT POSITION 1.
4. PCB MUST BE INSERTED FROM THE ARROW SIDE FIRST.
5. INSULATOR MATERIAL :- NYLON 46, UL94 HB, COLOUR SEE SHEET 1.
6. CONTACT MATERIAL :- COPPER ALLOY, TIN PLATED ALL OVER.
7. PCB PAD, TIN PLATED.

ELCO EUROPE (A DIVISION OF AVX LTD.) CONFIDENTIAL PROPRIETARY THE DRAWING ON THIS PRINT AND INFORMATION THEREWITH ARE PROPRIETARY TO ELCO EUROPE (A DIVISION OF AVX LTD.) AND SHALL NOT BE USED OR DISCUSSED IN WHOLE OR IN PART WITHOUT ELCO EUROPE'S WRITTEN CONSENT.

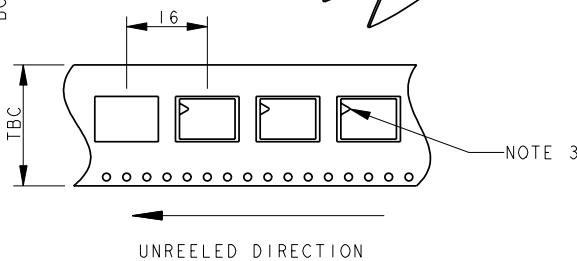
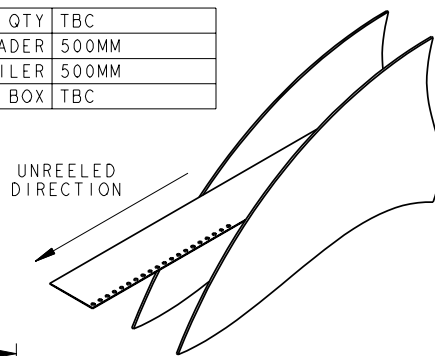
3 WAY PCB BOARD LAYOUT

THICKNESS 1.60 ± 0.15



PACKING DETAILS

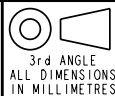
REEL QTY	TBC
LEADER	500MM
TRAILER	500MM
REELS PER BOX	TBC



SHEET 3 OF 5

FORM-106-01-056-6 ISS 7

Release No.
History
102527



ELCO

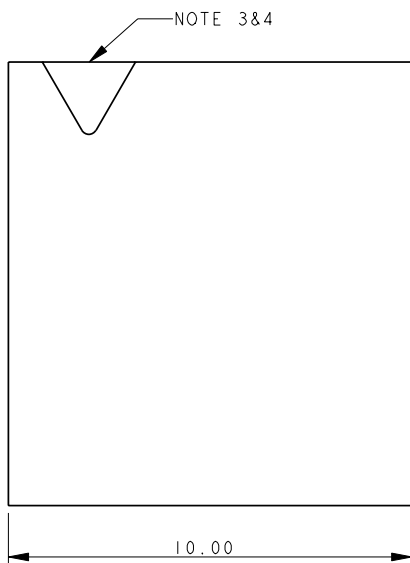
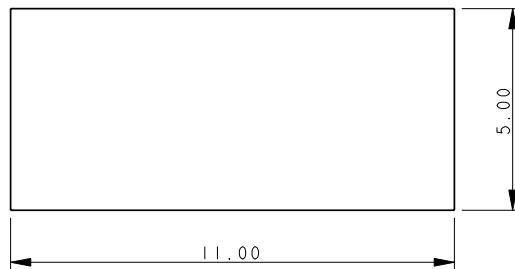
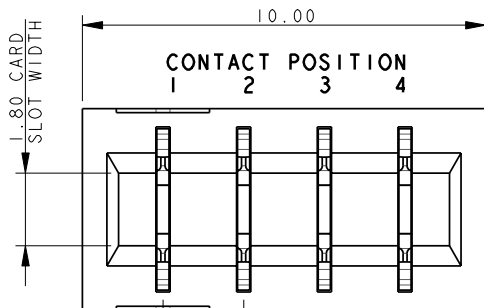
© COPYRIGHT ELCO EUROPE
NOT TO BE DISCLOSED OR COPIED
WITHOUT WRITTEN PERMISSION

Drawn N.C.H.	Description 9159 SINGLE PART - ORDERING CODE	DATE 06-Sept-04
Size CV	Part Number 00-9159-01_000S	Issue C

A

B

4 WAY SINGLE PART PCB STRIP CONNECTOR



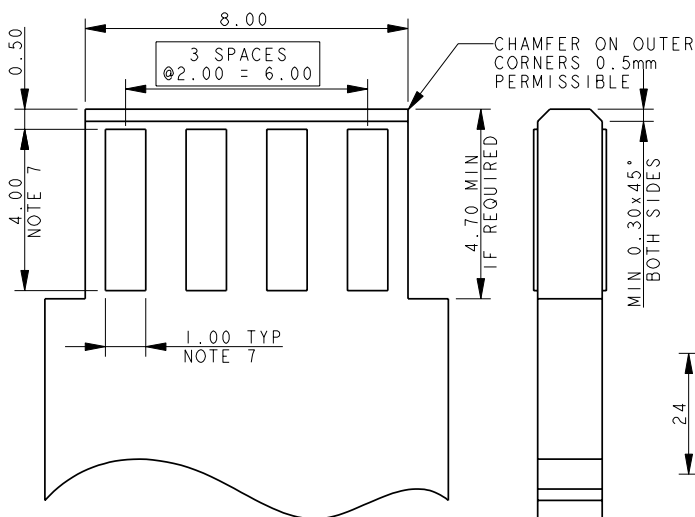
NOTES:

1. FOR MORE INFORMATION REFER TO PRODUCT SPEC 201-01-118.
2. DIMENSIONS ARE REFERENCE DIMENSIONS UNLESS TOLERANCED.
3. ARROW TO INDICATE CONTACT POSITION 1.
4. PCB MUST BE INSERTED FROM THE ARROW SIDE FIRST.
5. INSULATOR MATERIAL :- NYLON 46, UL94 HB, COLOUR SEE SHEET 1.
6. CONTACT MATERIAL :- COPPER ALLOY, TIN PLATED ALL OVER.
7. PCB PAD, TIN PLATED.

ELCO EUROPE (A DIVISION OF AVX LTD.) CONFIDENTIAL PROPRIETARY THE DRAWING ON THIS PRINT AND INFORMATION THEREWITH ARE PROPRIETARY TO ELCO EUROPE (A DIVISION OF AVX LTD.) AND SHALL NOT BE USED OR DISCUSSED IN WHOLE OR IN PART WITHOUT ELCO EUROPE'S WRITTEN CONSENT.

4 WAY PCB BOARD LAYOUT

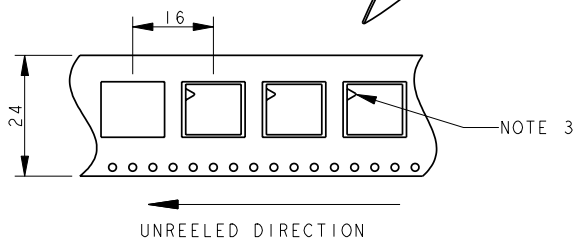
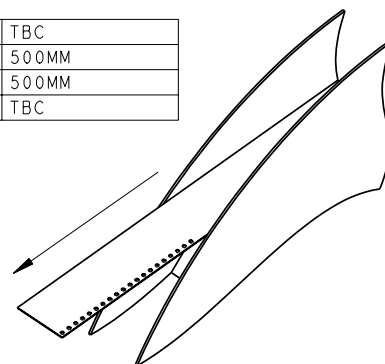
THICKNESS 1.60 ± 0.15



PACKING DETAILS

REEL QTY	TBC
LEADER	500MM
TRAILER	500MM
REELS PER BOX	TBC

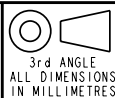
UNREEL DIRECTION



SHEET 4 OF 5

FORM-106-01-056-6 ISS 7

Release No.
History
102527



ELCO

© COPYRIGHT ELCO EUROPE
NOT TO BE DISCLOSED OR COPIED
WITHOUT WRITTEN PERMISSION

Drawn
N.C.H.

Size
CV

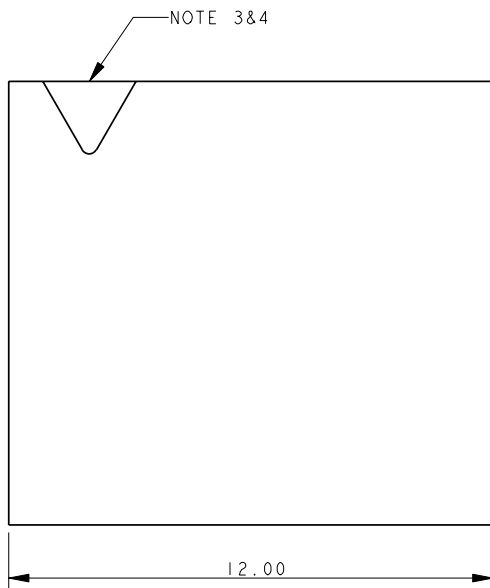
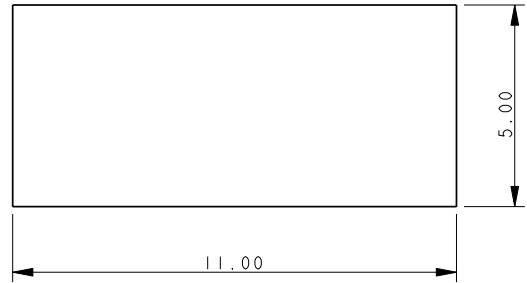
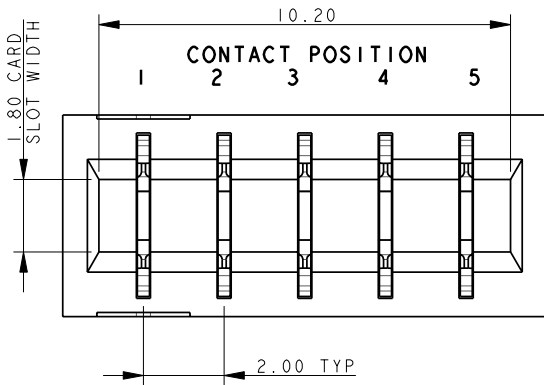
Description
9159 SINGLE PART - ORDERING CODE

Part Number
00-9159-01_000S

DATE
10-Sep-08

Issue
C

5 WAY SINGLE PART PCB STRIP CONNECTOR



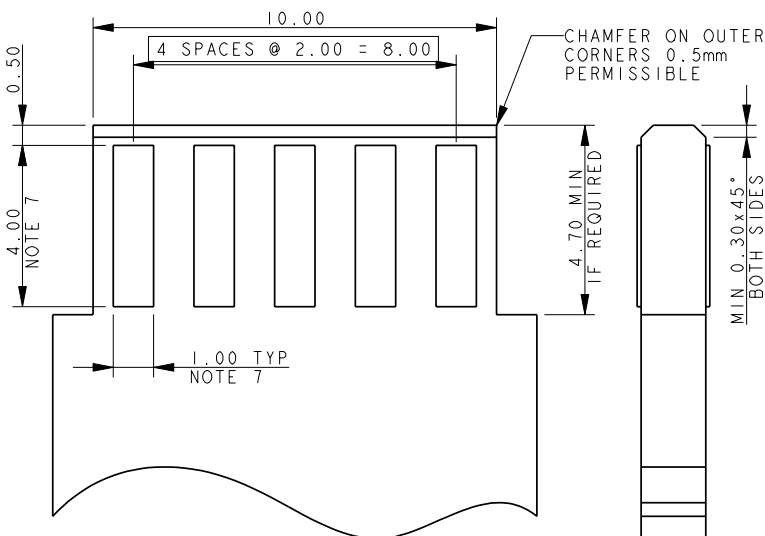
NOTES:

1. FOR MORE INFORMATION REFER TO PRODUCT SPEC 201-01-118.
2. DIMENSIONS ARE REFERENCE DIMENSIONS UNLESS TOLERANCED.
3. ARROW TO INDICATE CONTACT POSITION 1.
4. PCB MUST BE INSERTED FROM THE ARROW SIDE FIRST.
5. INSULATOR MATERIAL :- NYLON 46, UL94 HB, COLOUR SEE SHEET 1.
6. CONTACT MATERIAL :- COPPER ALLOY, TIN PLATED ALL OVER.
7. PCB PAD, TIN PLATED.

ELCO EUROPE (A DIVISION OF AVX LTD.) CONFIDENTIAL PROPRIETARY THE DRAWING ON THIS PRINT AND INFORMATION THEREWITH ARE PROPRIETARY TO ELCO EUROPE (A DIVISION OF AVX LTD.) AND SHALL NOT BE USED OR DISCUSSED IN WHOLE OR IN PART WITHOUT ELCO EUROPE'S WRITTEN CONSENT.

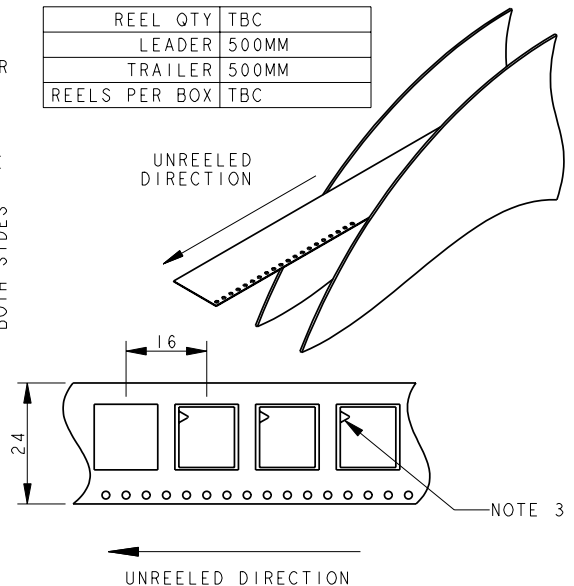
5 WAY PCB BOARD LAYOUT

THICKNESS 1.60±0.15



PACKING DETAILS

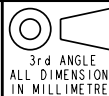
REEL QTY	TBC
LEADER	500MM
TRAILER	500MM
REELS PER BOX	TBC



SHEET 5 OF 5

FORM-106-01-056-6 ISS 7

Release No.
History
101527



ELCO

© COPYRIGHT ELCO EUROPE
NOT TO BE DISCLOSED OR COPIED
WITHOUT WRITTEN PERMISSION

Drawn
N.C.H.

Size
CV

Description
9159 SINGLE PART - ORDERING CODE

Part Number
00-9159-01_000S

DATE
06-Sept-04

Issue
C



Компания «ЭлектроПласт» предлагает заключение долгосрочных отношений при поставках импортных электронных компонентов на взаимовыгодных условиях!

Наши преимущества:

- Оперативные поставки широкого спектра электронных компонентов отечественного и импортного производства напрямую от производителей и с крупнейших мировых складов;
- Поставка более 17-ти миллионов наименований электронных компонентов;
- Поставка сложных, дефицитных, либо снятых с производства позиций;
- Оперативные сроки поставки под заказ (от 5 рабочих дней);
- Экспресс доставка в любую точку России;
- Техническая поддержка проекта, помощь в подборе аналогов, поставка прототипов;
- Система менеджмента качества сертифицирована по Международному стандарту ISO 9001;
- Лицензия ФСБ на осуществление работ с использованием сведений, составляющих государственную тайну;
- Поставка специализированных компонентов (Xilinx, Altera, Analog Devices, Intersil, Interpoint, Microsemi, Aeroflex, Peregrine, Syfer, Eurofarad, Texas Instrument, Miteq, Cobham, E2V, MA-COM, Hittite, Mini-Circuits, General Dynamics и др.);

Помимо этого, одним из направлений компании «ЭлектроПласт» является направление «Источники питания». Мы предлагаем Вам помощь Конструкторского отдела:

- Подбор оптимального решения, техническое обоснование при выборе компонента;
- Подбор аналогов;
- Консультации по применению компонента;
- Поставка образцов и прототипов;
- Техническая поддержка проекта;
- Защита от снятия компонента с производства.



Как с нами связаться

Телефон: 8 (812) 309 58 32 (многоканальный)

Факс: 8 (812) 320-02-42

Электронная почта: org@eplast1.ru

Адрес: 198099, г. Санкт-Петербург, ул. Калинина, дом 2, корпус 4, литера А.